

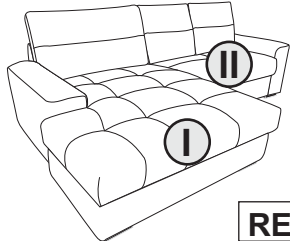
20 MIN

2 X

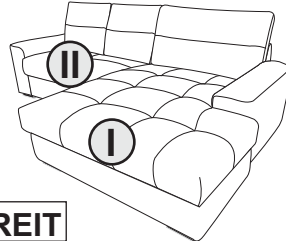


- (D) AUFBAUANLEITUNG
- (NL) HANDLEIDING VOOR DE MONTAGE
- (TR) MONTAJ TALIMATI
- (RO) INSTRUCIUNI DE ASAMBLARE
- (F) INSTRUCTION D'ASSEMBLAGE
- (CZ) POKYNY K MONTÁŽI
- (BG) ИНСТРУКЦИИ ЗА МОНТАЖ
- (HR) UPUTSTVA ZA MONTAŽU
- (GB) ASSEMBLY INSTRUCTIONS
- (PL) INSTRUKCJA MONTAŻU
- (RU) Инструкция по монтажу
- (I) PROCEDURA DI ASSEMBLAGGIO
- (SK) POKYNY K MONTÁŽI
- (HU) ÖSSZESZERELÉSI ÚTMUTATÓ
- (SLO) NAVODILA ZA MONTAŽO
- (S) MONTERINGSANVISNING
- (LT) DIEGIMO INSTRUKCIJOS
- (E) INSTRUCCIONES DE MONTAJE

MODEL "MM 720 CAPPA"



REC BREIT-2




2-REC BREIT

1/1

- | | | | |
|---|--|---|---|
| A CURRY H45

x6 | B 6X70

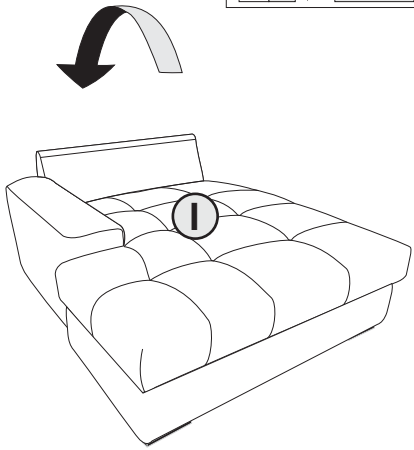
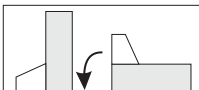
x12 | C H45

x1 | D H35

x1 |
|---|--|---|---|

hardware bag/sachet matériel/zubehörbeutel/sachetti materiale/bolsa de materiales/worek materiałowy

pre-assembled/ pre assemble/vormontiert/premontato/wstępnie/zamontowane

1

2

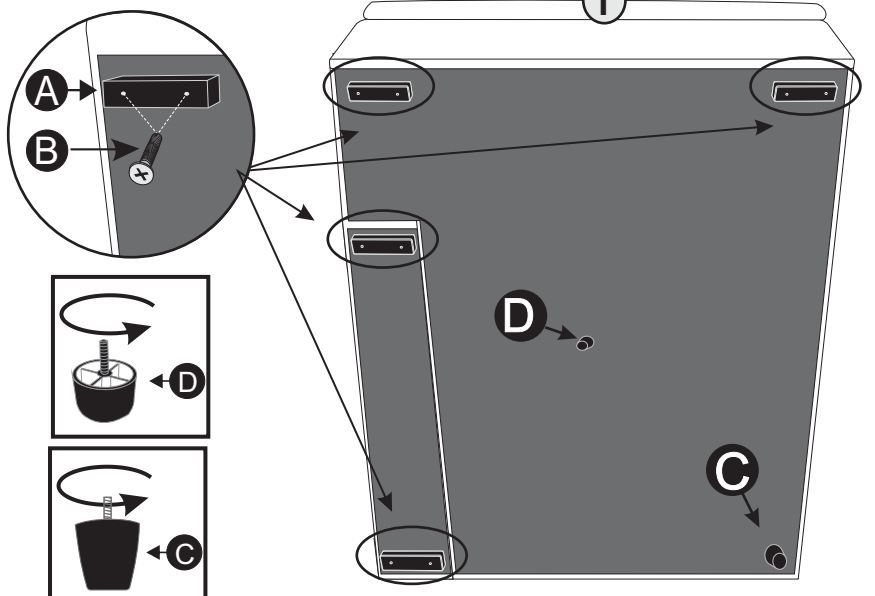
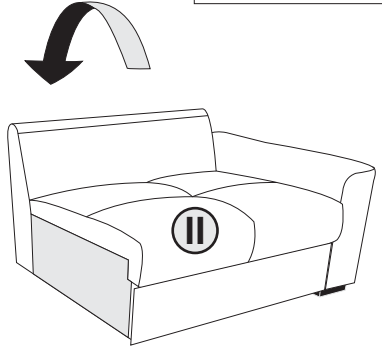
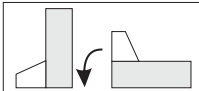


Diagram 2 shows the backrest being attached to the sofa frame. It includes a large view of the backrest with callouts A, B, C, and D. Callout A points to the CURRY H45 bracket being inserted into the backrest. Callout B points to the 6x70 screw being inserted into the bracket. Callout C points to the H45 cap being inserted into the backrest. Callout D points to the H35 cap being inserted into the backrest. Two inset diagrams show the H45 and H35 caps being inserted into their respective holes.

3

4

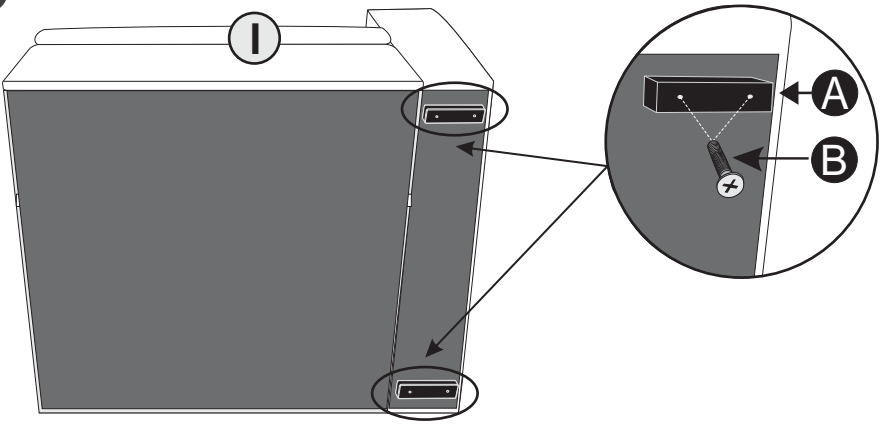


Diagram 4 shows the front legs being attached to the sofa frame. It includes a large view of the sofa with callouts A and B. Callout A points to the CURRY H45 bracket being inserted into the front leg. Callout B points to the 6x70 screw being inserted into the bracket.