

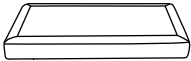

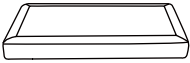
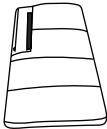
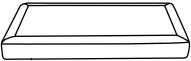
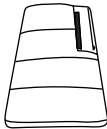

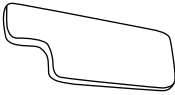
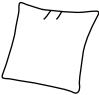
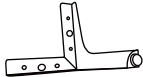
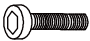





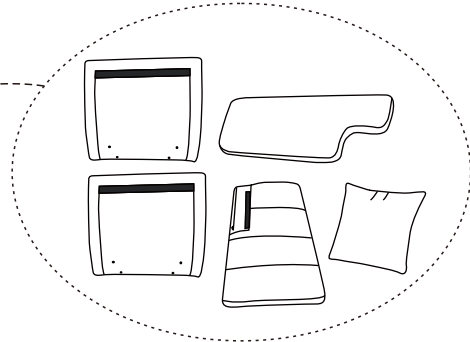
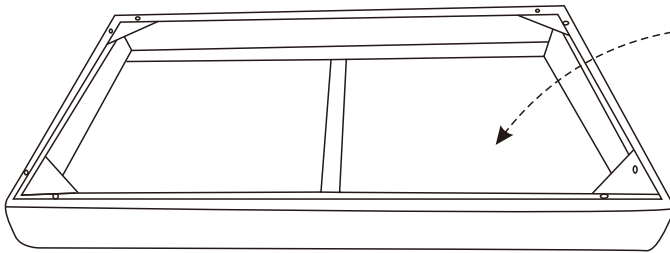
Assembly Instructions

Parts List

A		Back frame	4
B		Back cushion	4
C		Middle seat	1
D		Cushion	2
E		Left seat	1
F		Left cushion	1
G		Right seat	1
H		Right cushion	1
I		Left arm	1
J		Right arm	1
K		Pillow	4
L		Foot	12
M		Screw	24
N		Wrench	1
O		Screw	16
P		Wrench	1

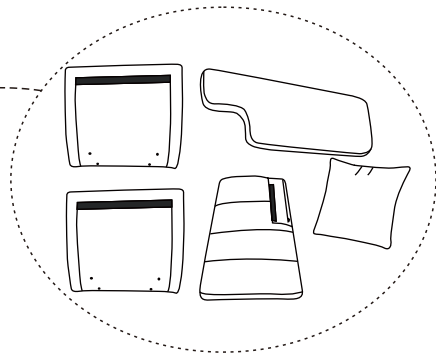
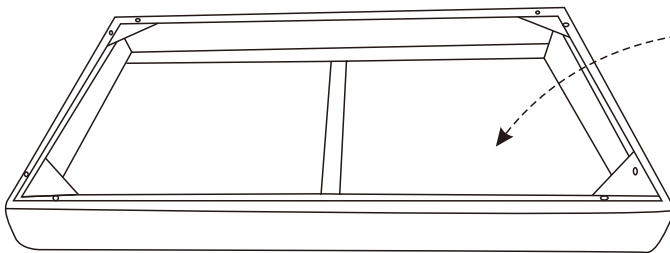
Assembly Steps

Left sofa



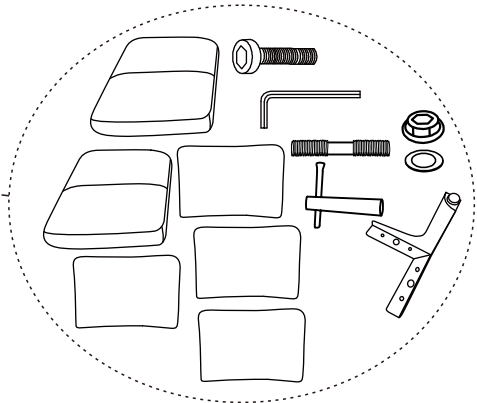
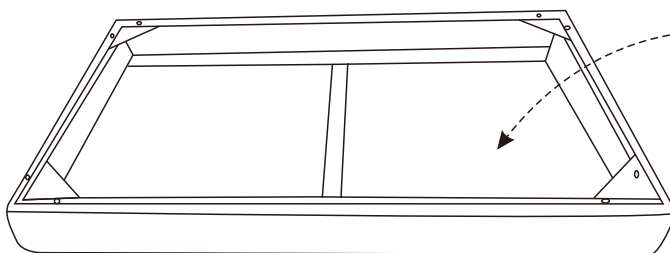
Back frame cushion arm pillow
Put it in the left seat

Right sofa



Back frame cushion arm pillow
Put it in the right seat

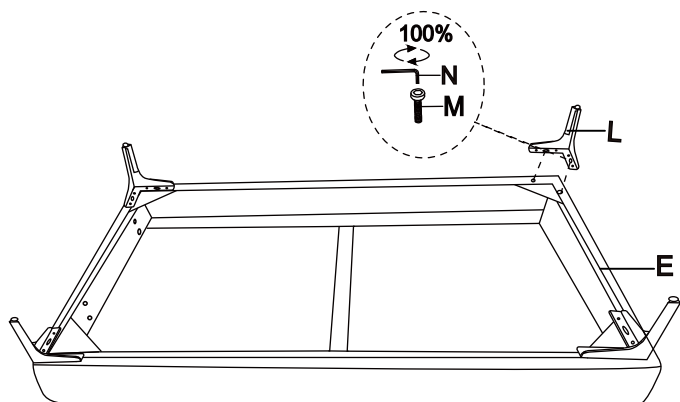
Loveseat



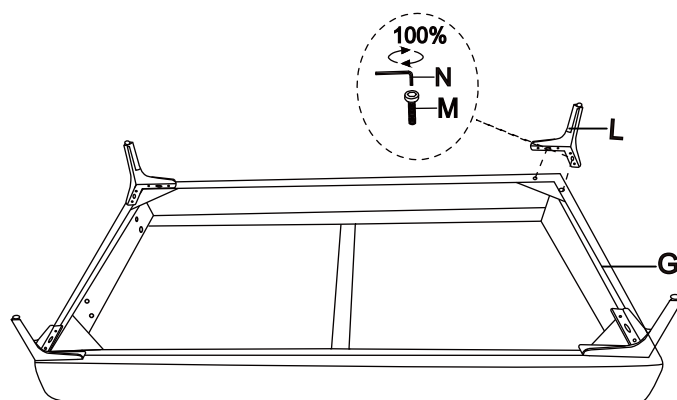
Back cushion cushion foot hardware bag
Put it in a double

Assembly Steps

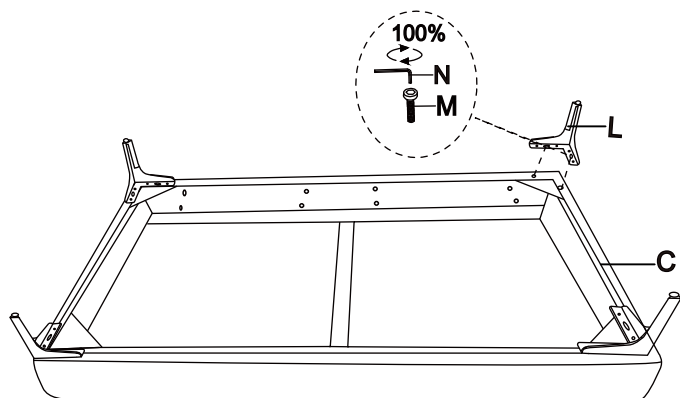
Step 1



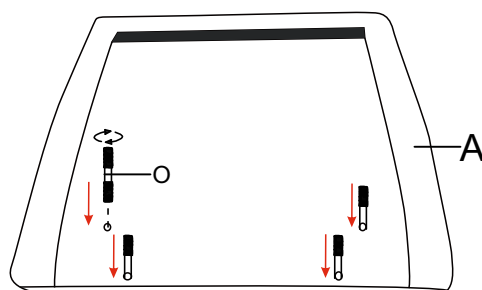
Step 2



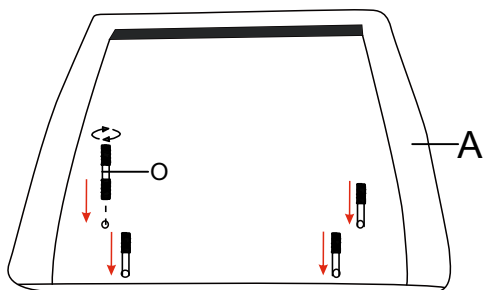
Step 3



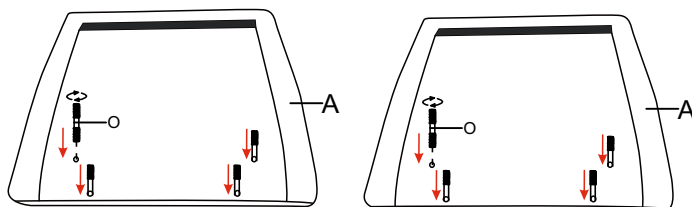
Step 4



Step 5

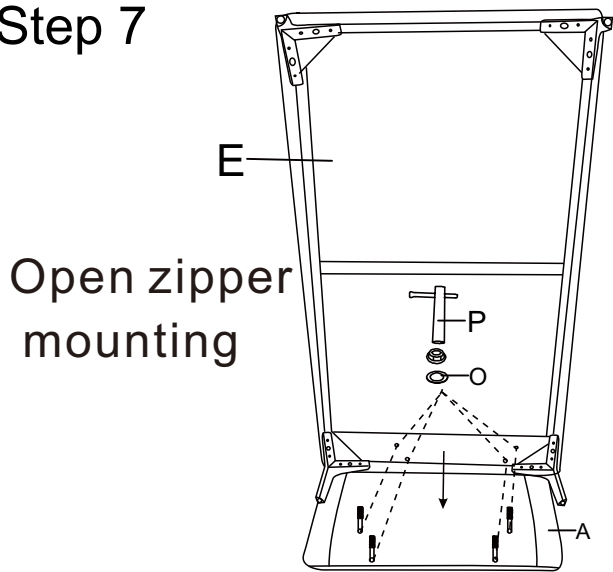


Step 6

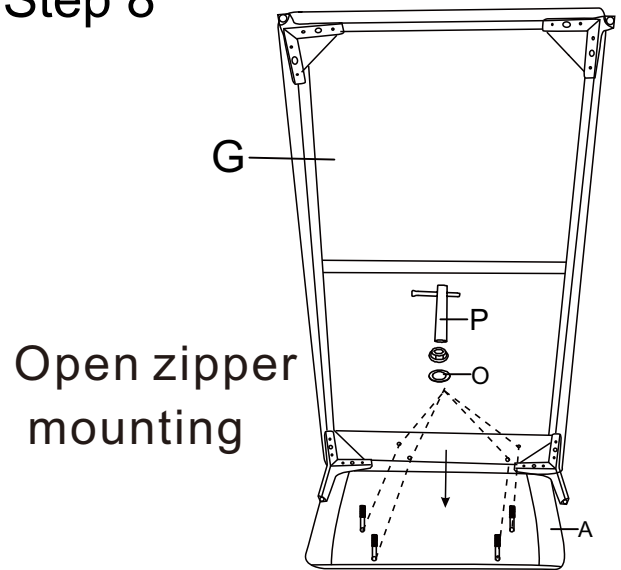


Assembly Steps

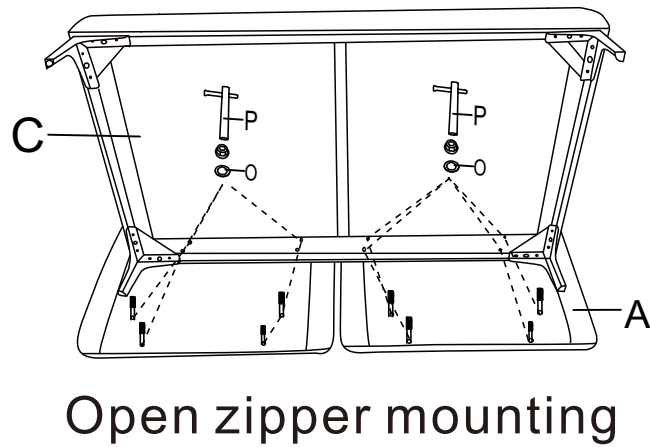
Step 7



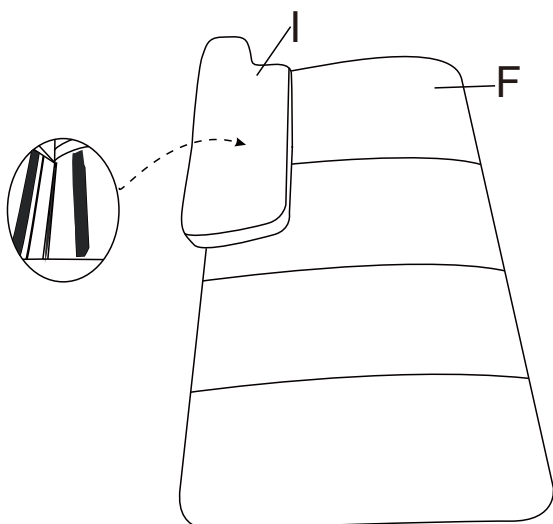
Step 8



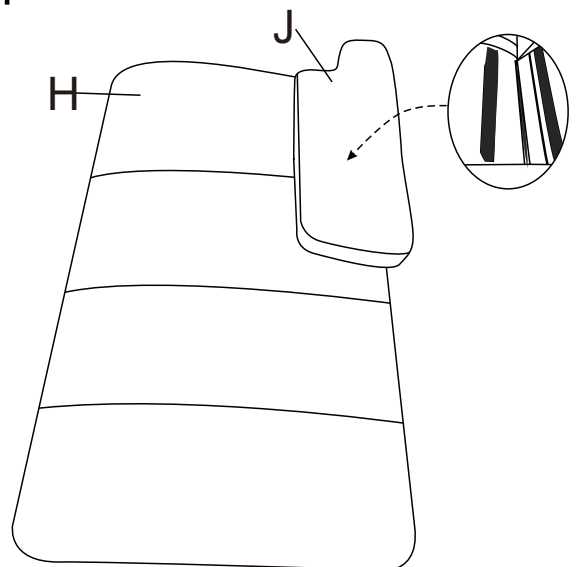
Step 9



Step 10

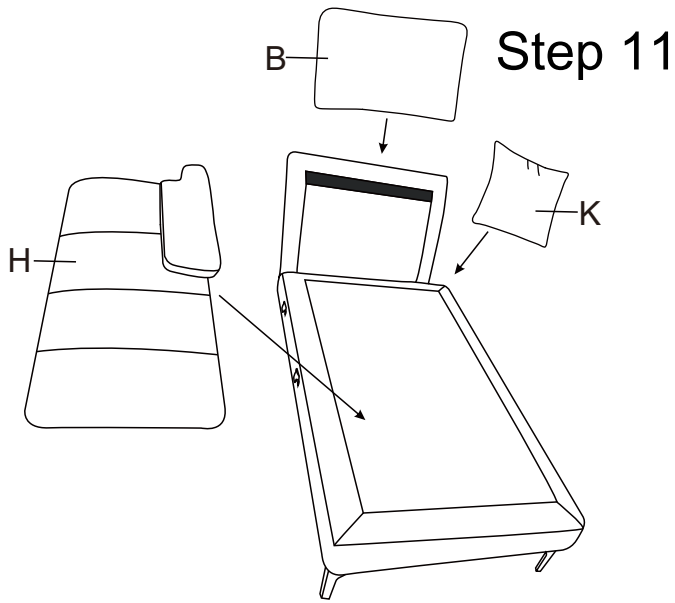


Step 11

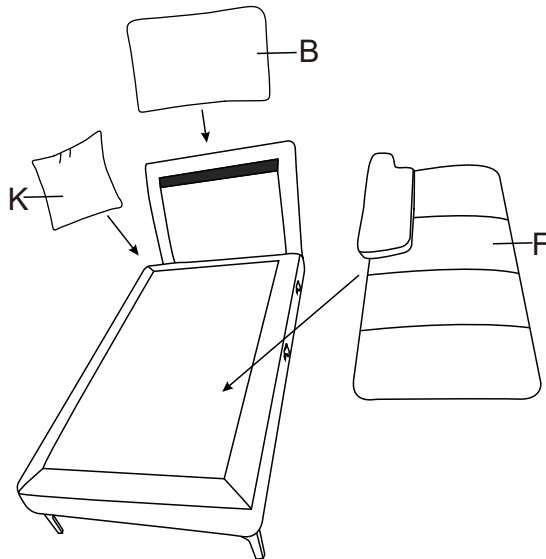


Assembly Steps

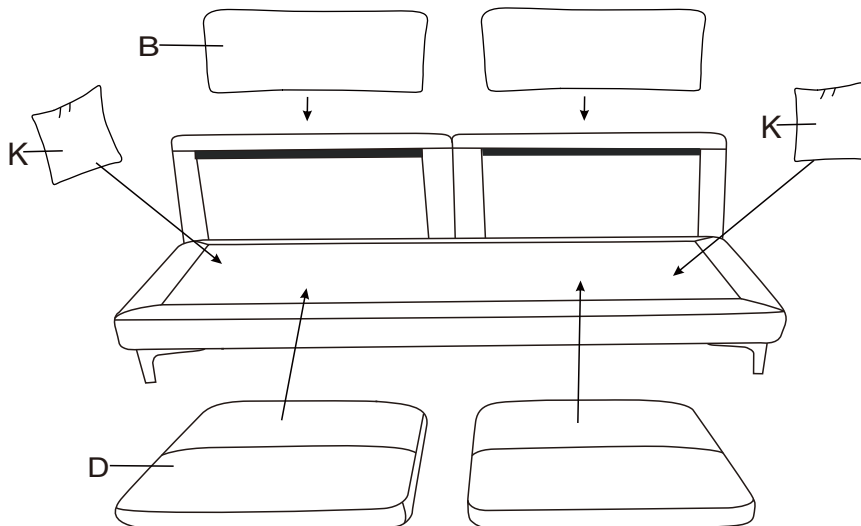
Step 12



Step 13

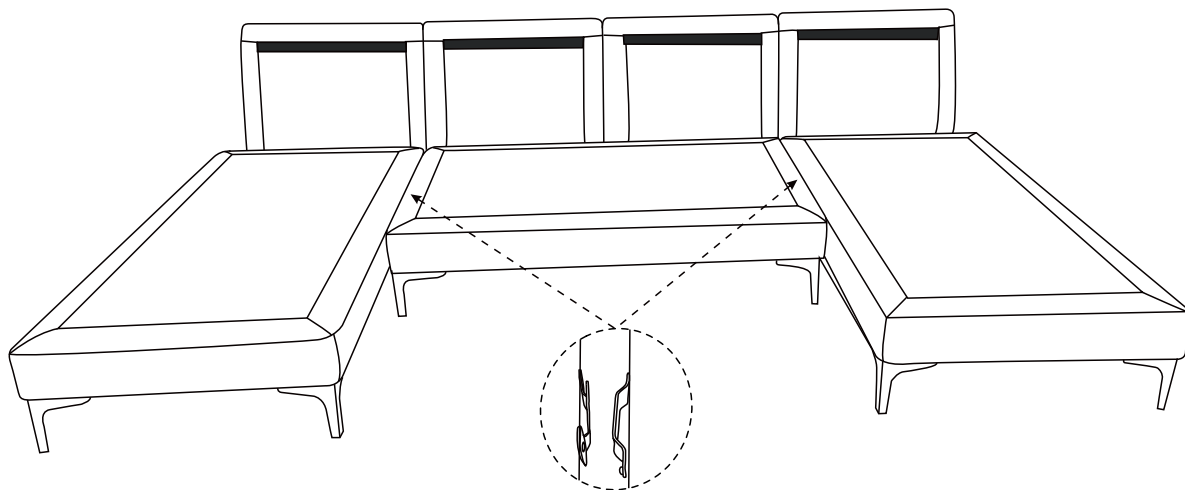


Step 14



Assembly Steps

Step 15



The inside insert of the seat is connected

Step 16

