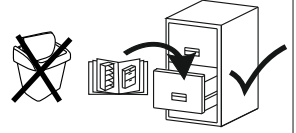


BC 1035 Kommode 1

MEBLE-OKMED
DEMKO

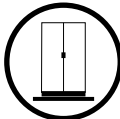
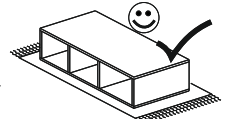
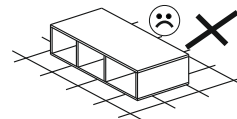
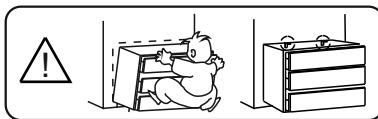
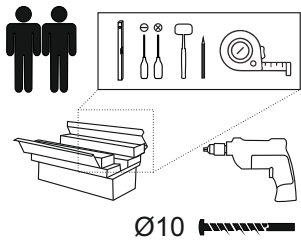
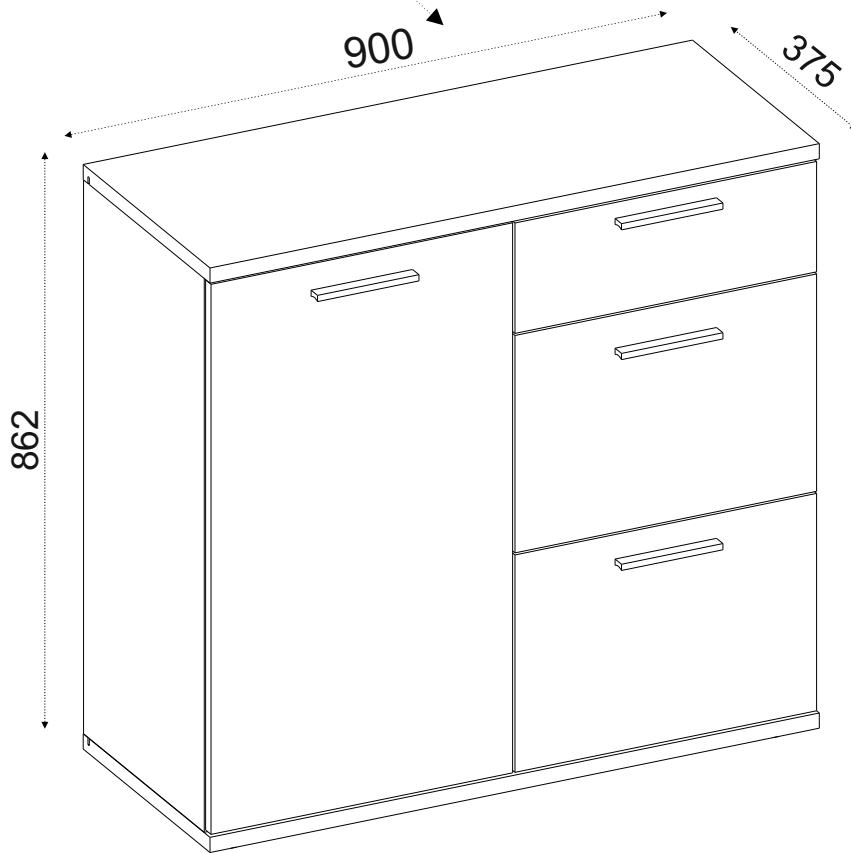
„MEBLE-OKMED” DEMKO - SPÓŁKA JAWNA
ul. Kolejowa 13, 14-500 Braniewo, POLSKA
www.mebleokmed.pl (+48) 55 243 27 26
firma@mebleokmed.pl

SERIA: .../...



BC 1035 Kommode 1

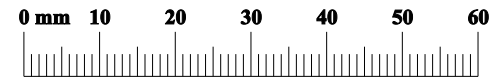
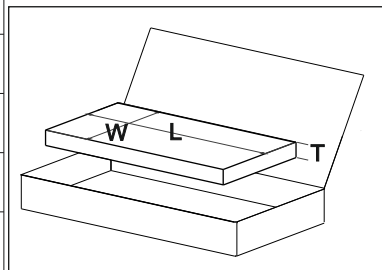
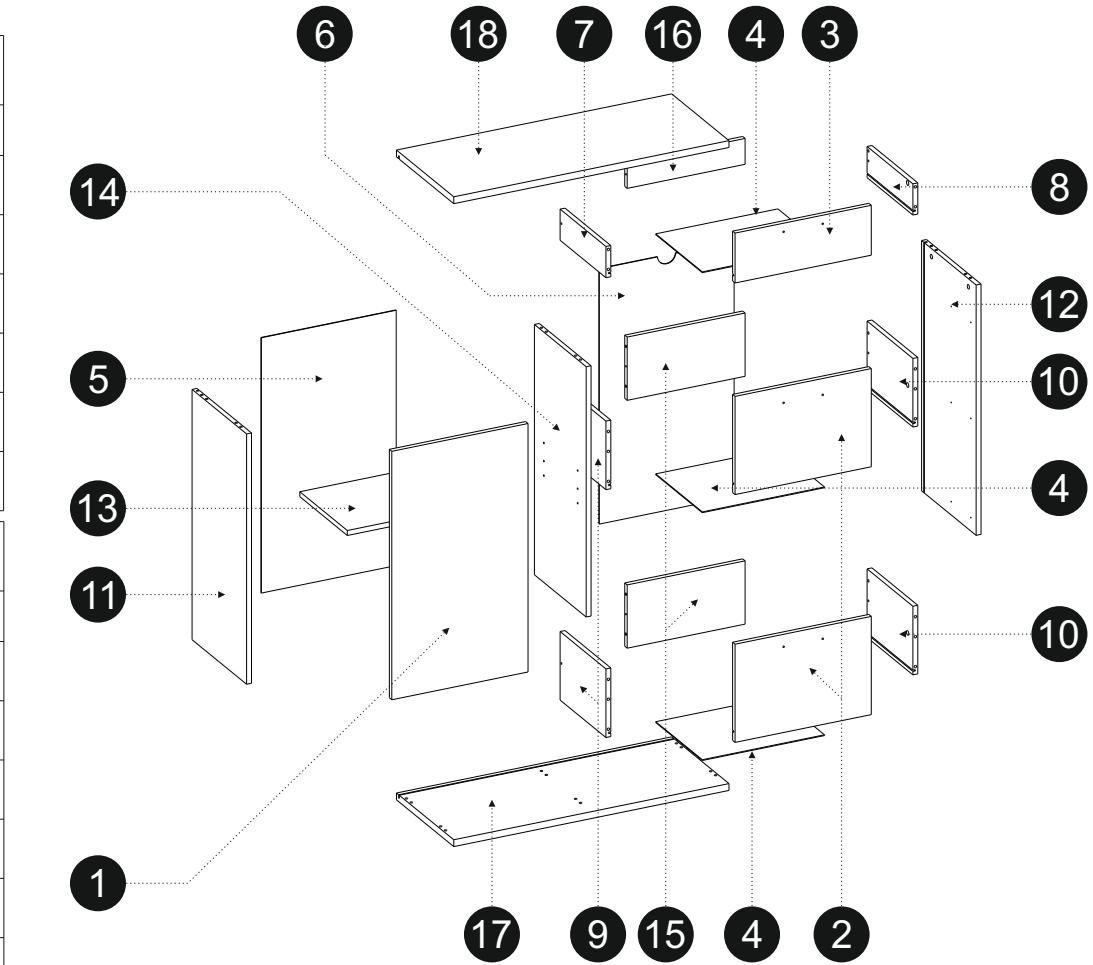
SERIA: ..
MEBLE OKMED Demko SP J.
14-500 Braniewo, Ul. Kolejowa 13



BC 1035 Kommode 1

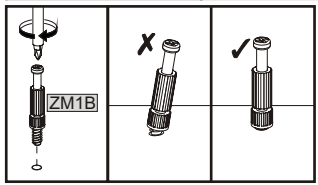
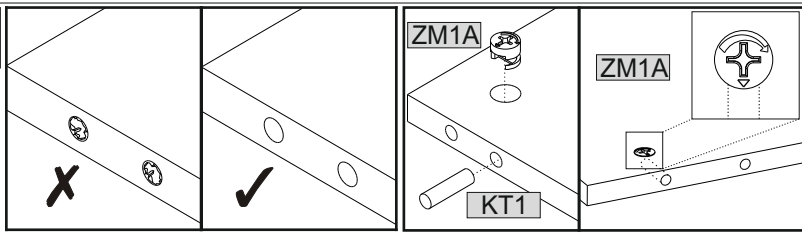
| 1/2 | | | | |
|-----|-----------|-----------|-----------|----|
| | L [mm] | W [mm] | T [mm] | |
| 11 | 803 | 357 | 16 | x1 |
| 12 | 803 | 357 | 16 | x1 |
| 9 | 300 | 220 | 16 | x2 |
| 10 | 300 | 220 | 16 | x2 |
| 17 | 901 | 375 | 22 | x1 |
| 18 | 901 | 375 | 22 | x1 |

| 2/2 | | | | |
|-----|-----------|-----------|-----------|----|
| | L [mm] | W [mm] | T [mm] | |
| 7 | 300 | 100 | 16 | x1 |
| 8 | 300 | 100 | 16 | x1 |
| 4 | 400 | 305 | 3 | x3 |
| 1 | 797 | 446 | 16 | x1 |
| 3 | 160 | 446 | 16 | x1 |
| 2 | 315 | 446 | 16 | x2 |
| 13 | 426 | 326 | 16 | x1 |
| 14 | 803 | 339 | 16 | x1 |
| 5 | 819 | 442 | 3 | x1 |
| 6 | 819 | 442 | 3 | x1 |
| 16 | 84 | 386 | 16 | x1 |
| 15 | 204 | 386 | 16 | x2 |

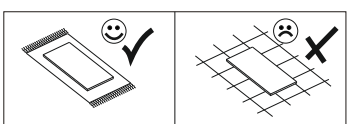
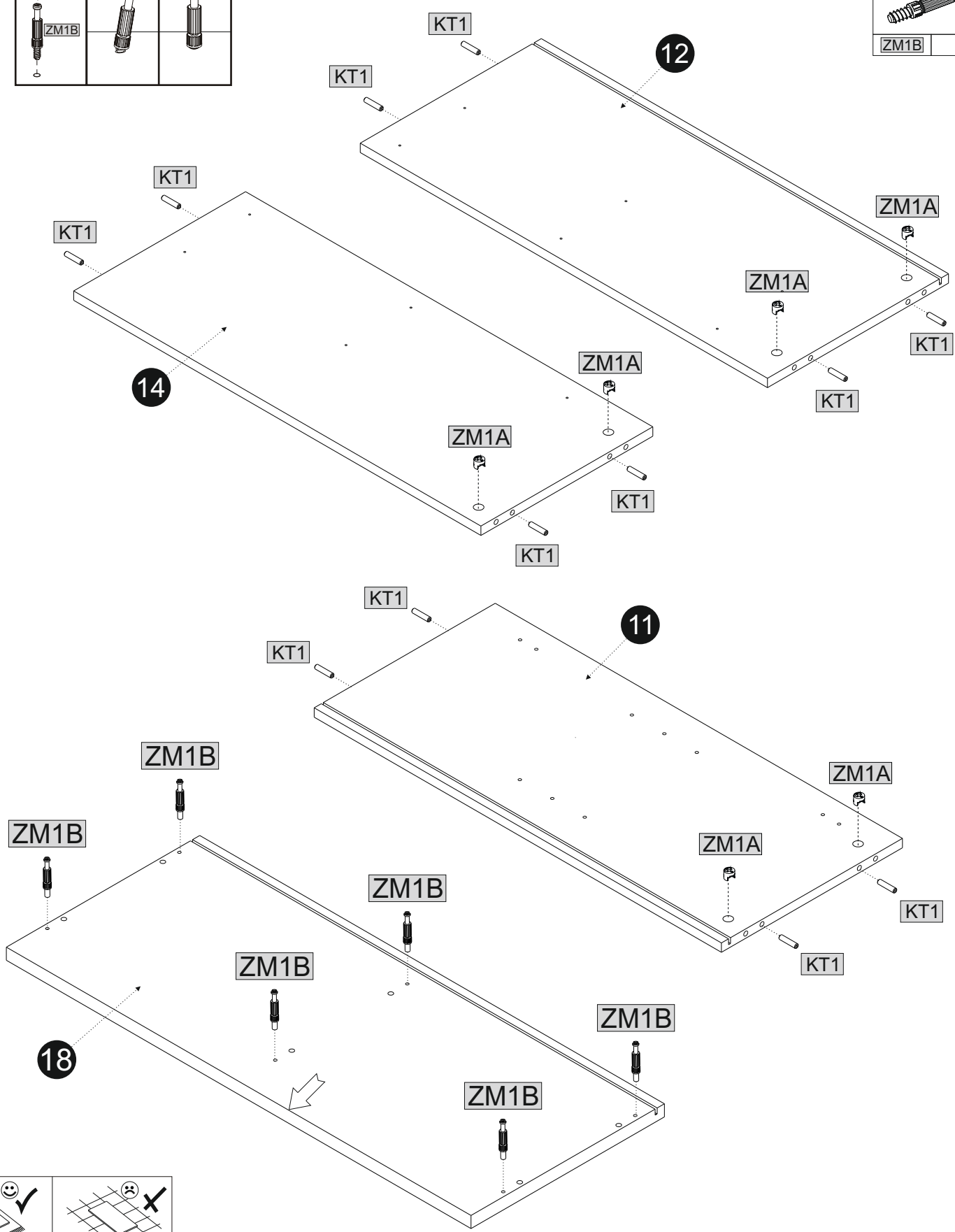


| | | | | | | | |
|---------|-------|--------|---------|-------|-------|--------|--------|
| | | | | | | | |
| KK1 1 | Z1P 2 | K1 6 | KT1 32 | W6 5 | SS3 5 | W4 4 | W11 26 |
| | | | | | | | |
| ZM1A 12 | W1 21 | PQFL 3 | PQFR 3 | U56 4 | PL1 6 | S1 11 | PP 4 |
| | | | | | | | |
| WU 8 | ZM1 8 | KM1 6 | ZM1B 12 | KR1 1 | KS1 1 | WKR1 1 | |

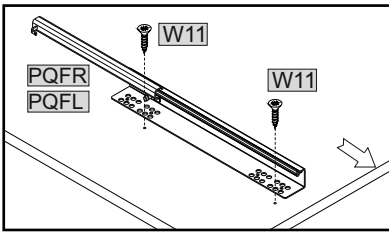
01



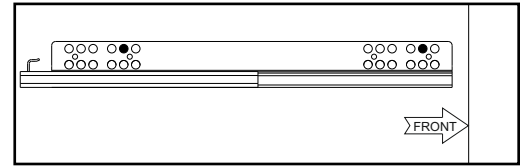
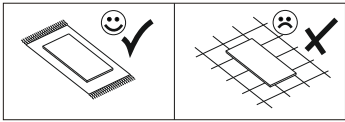
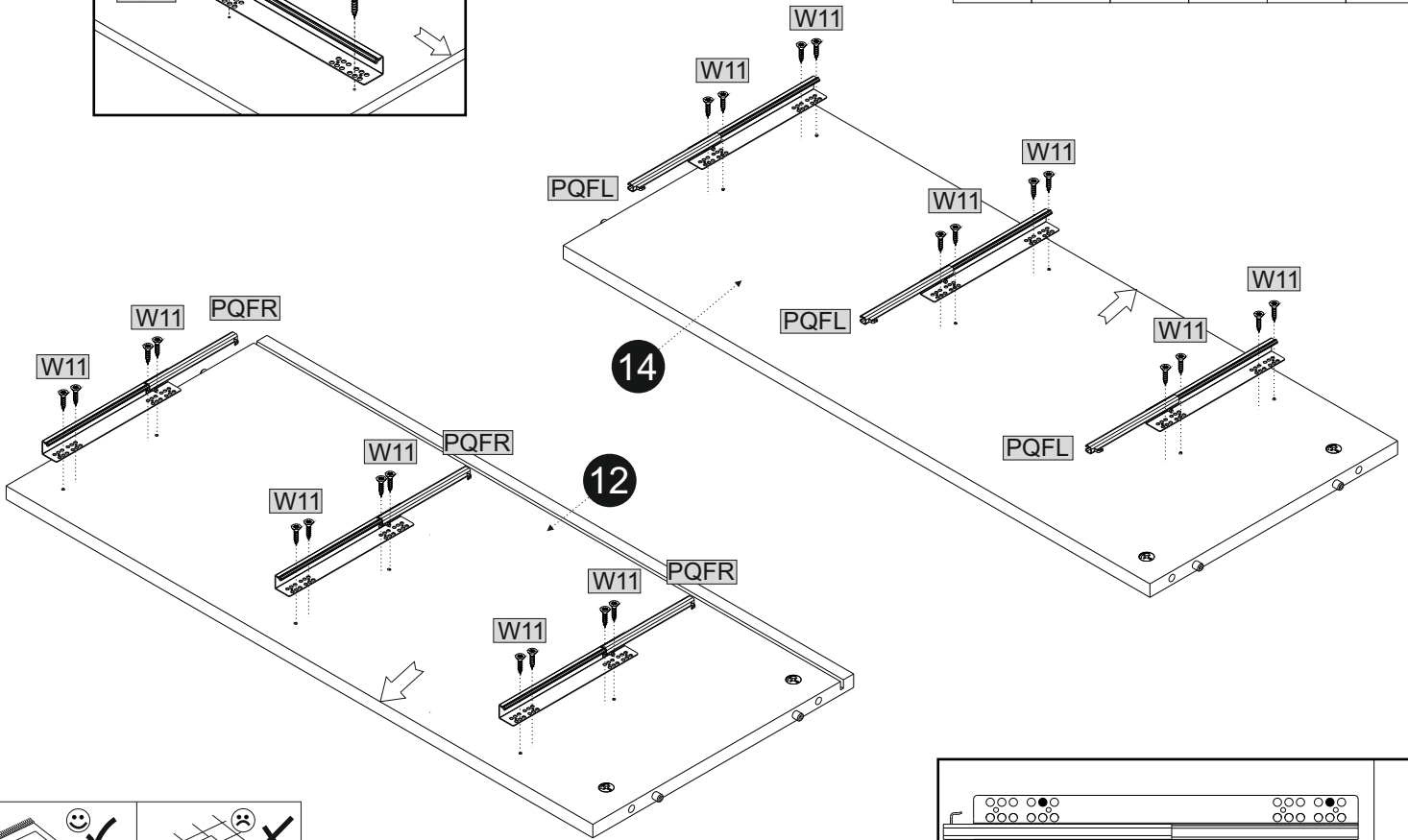
| | |
|-------|----|
| Ø8x40 | |
| KT1 | 12 |
| ZM1A | 6 |
| ZM1B | 6 |



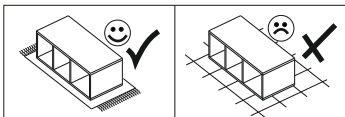
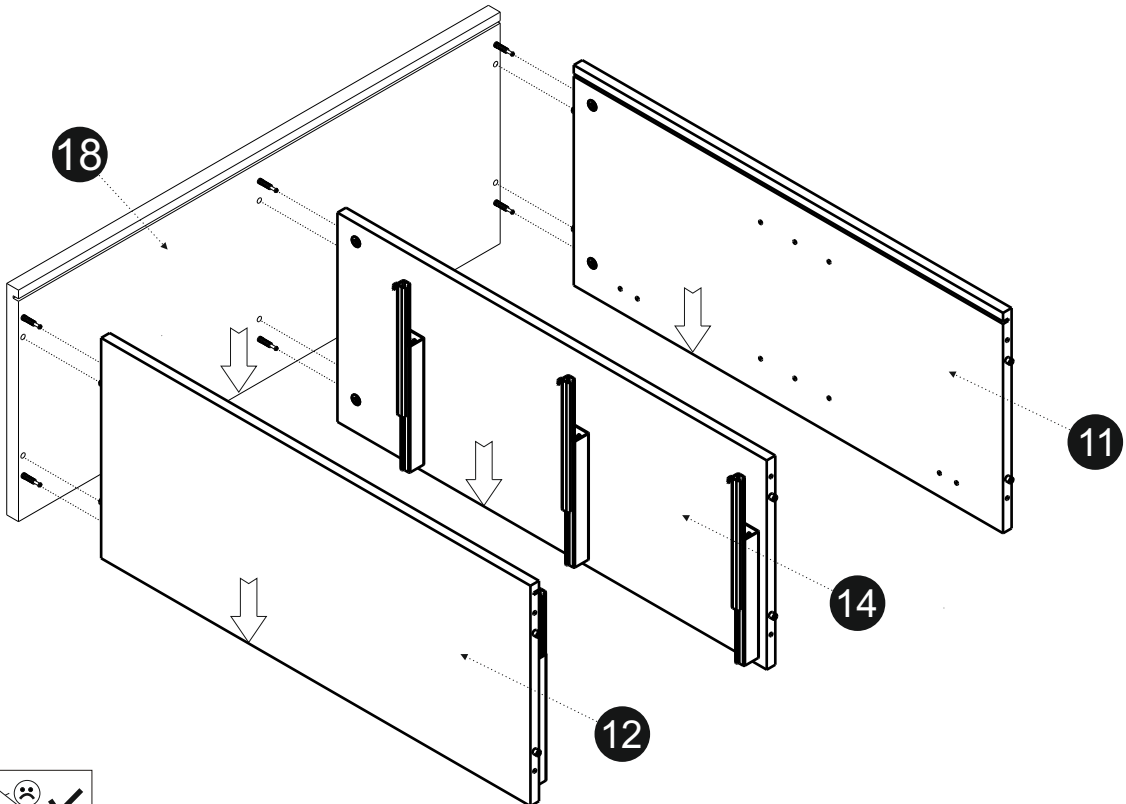
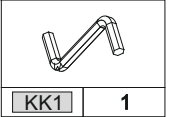
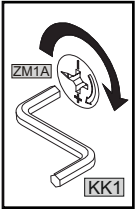
02

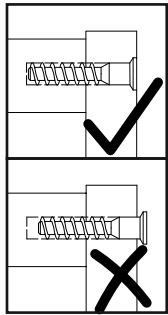
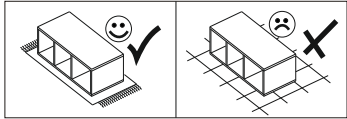
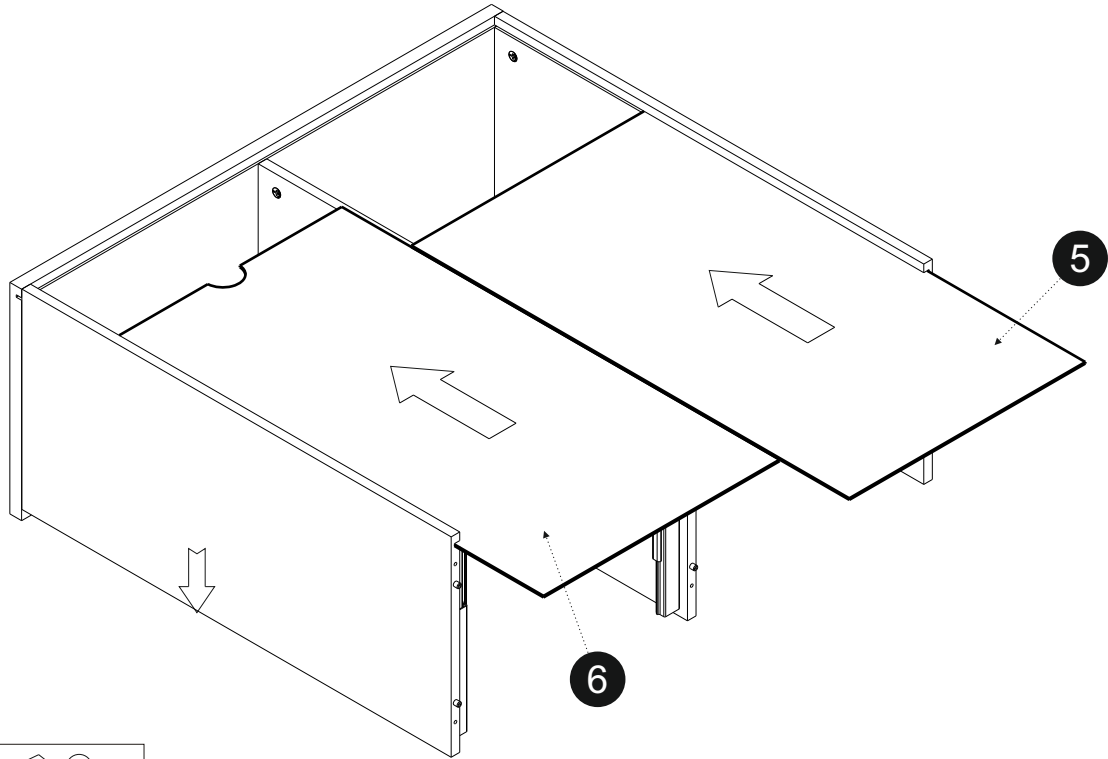


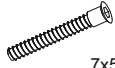
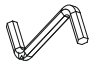
| | | | | | |
|------|-------|------|-------|-----|--------|
| | L-300 | | L-300 | | 3,5x16 |
| PQFR | 3 | PQFL | 3 | W11 | 24 |

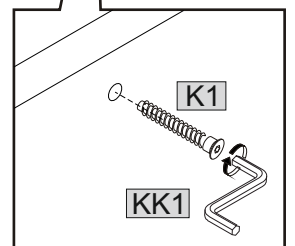
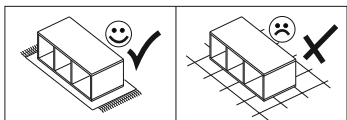
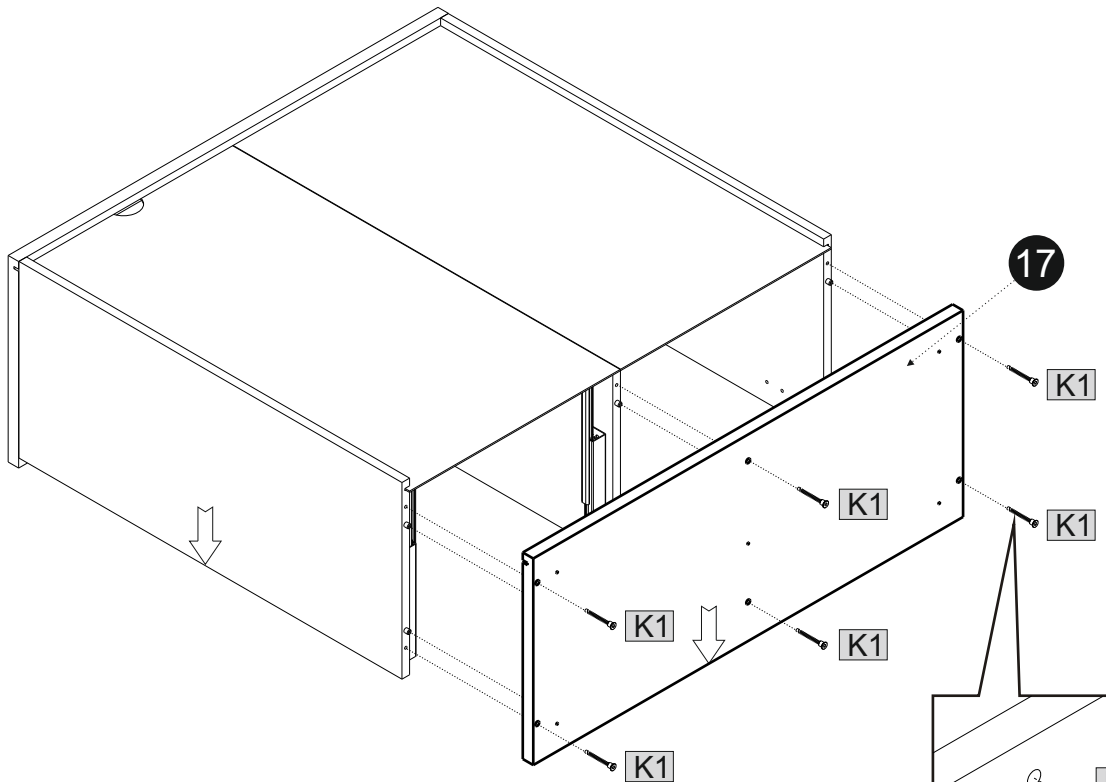


03

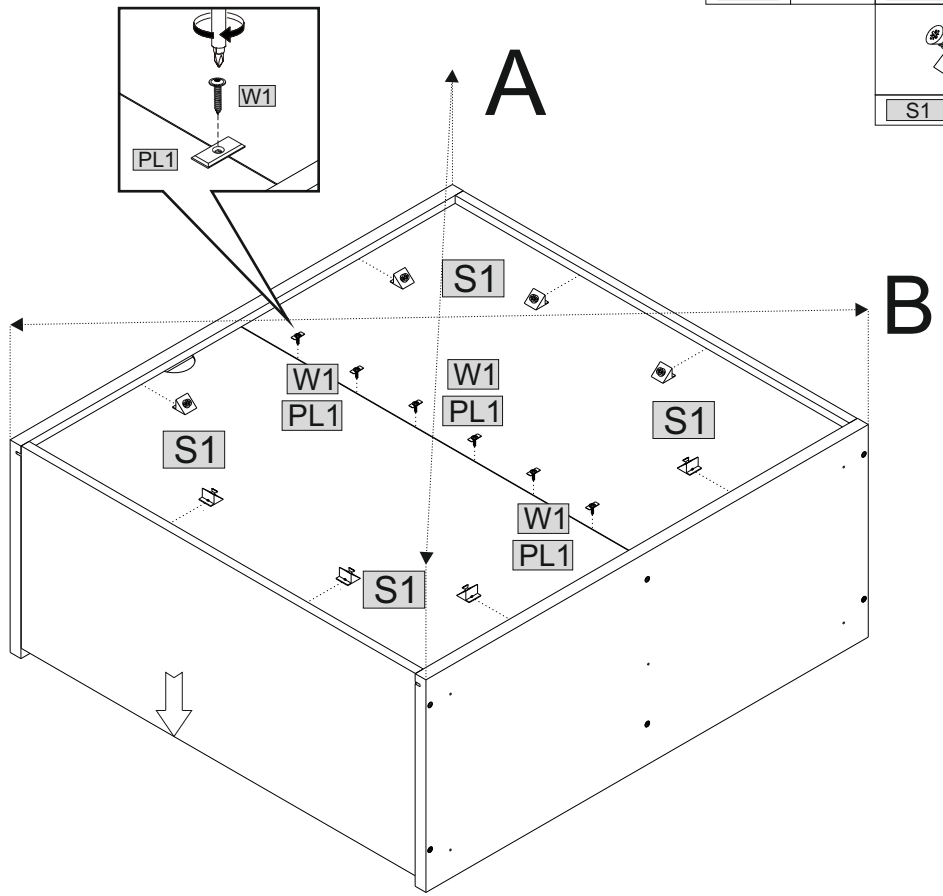
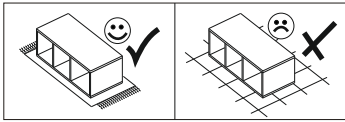
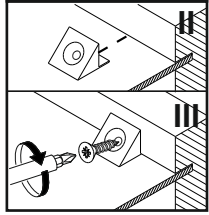
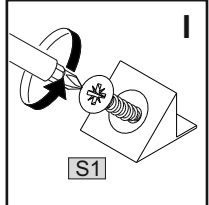
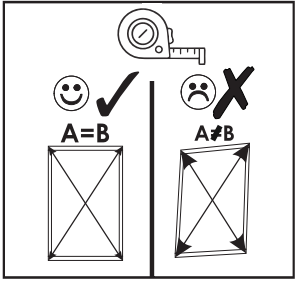




| | | | |
|---|------|---|---|
|  | 7x50 |  | |
| K1 | 6 | KK1 | 1 |

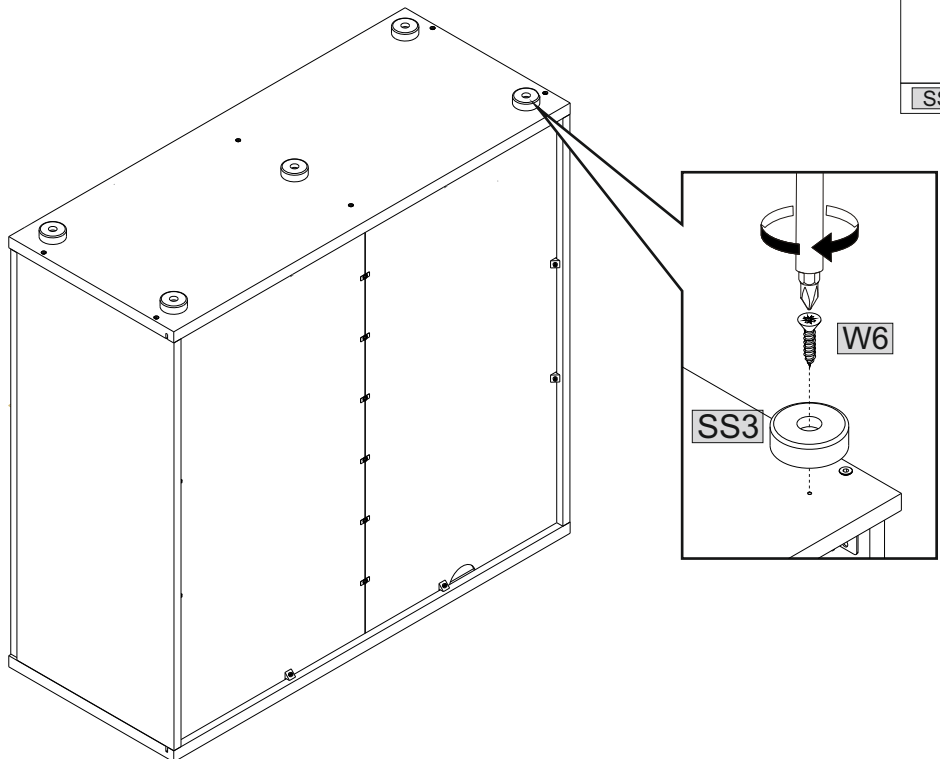
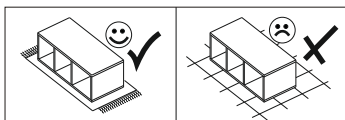
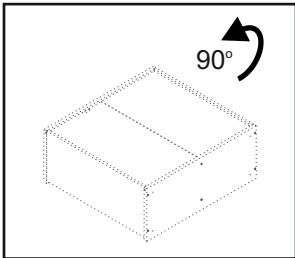


06

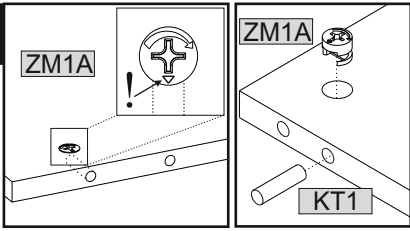


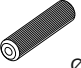

| | | | |
|--|---|--|---|
| | 6 | | 6 |
| | 8 | | |

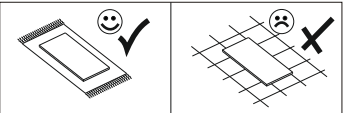
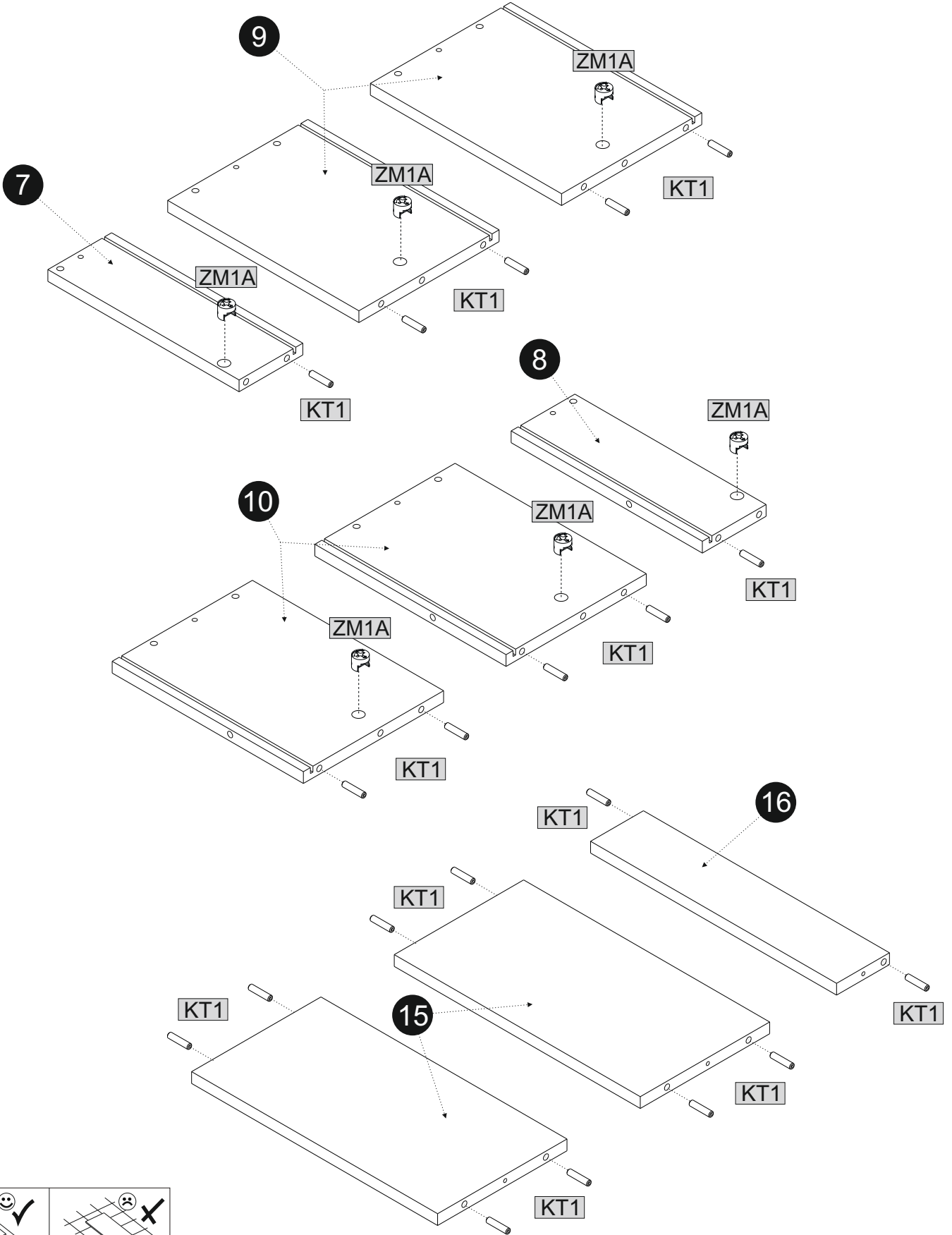
07



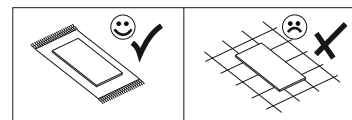
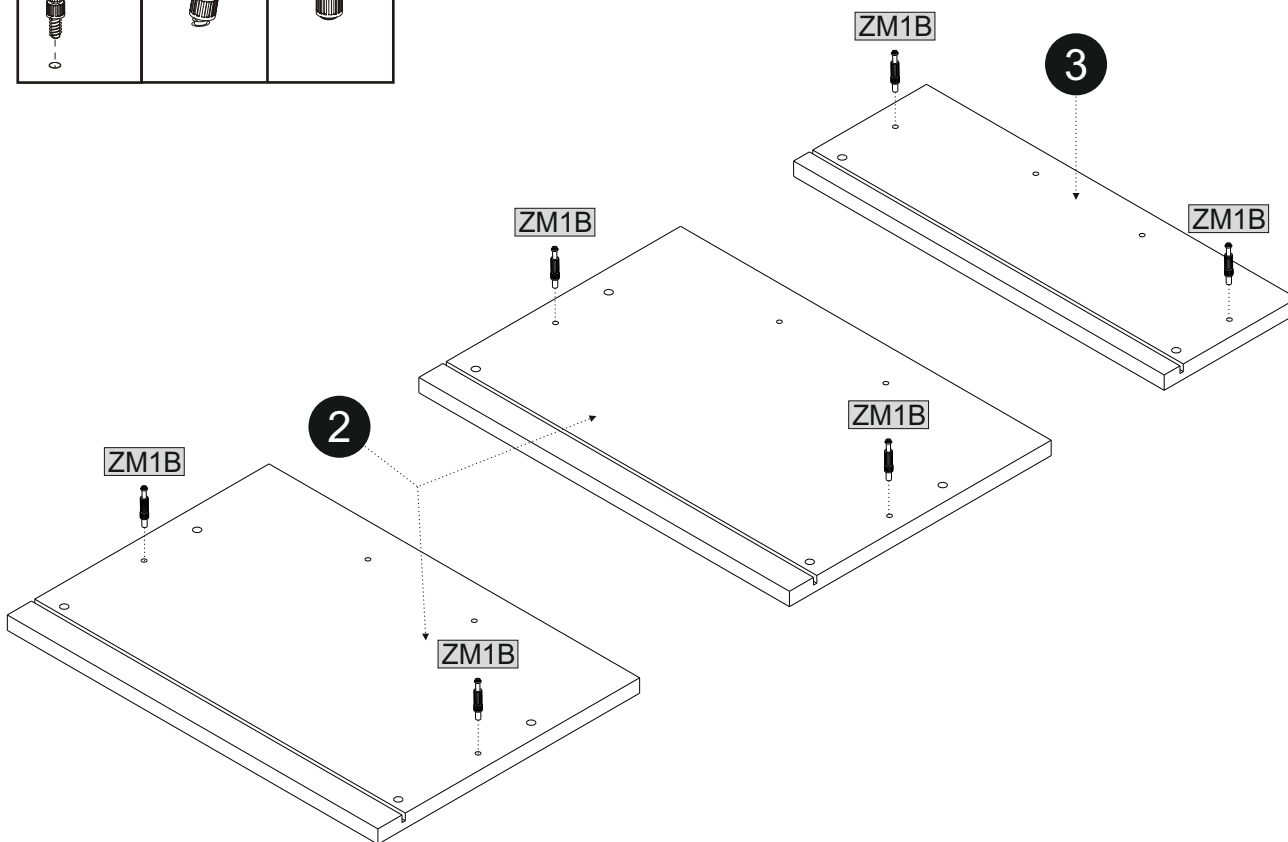
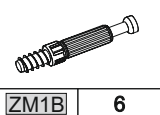
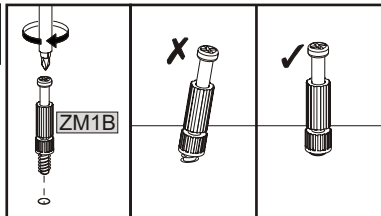
| | |
|--|---|
| | 5 |
| | 5 |



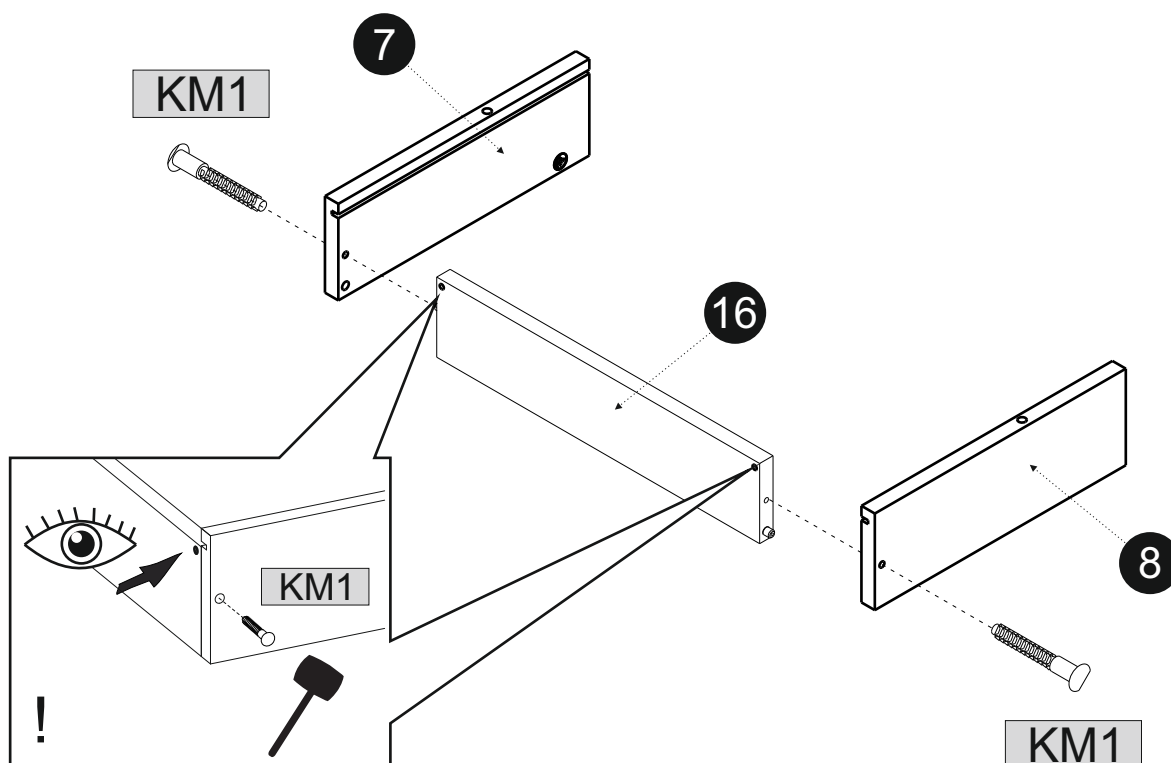
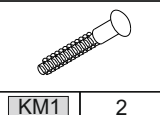
| | |
|---|----|
|  | |
| KT1 | 20 |
|  | |
| ZM1A | 6 |



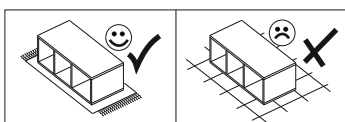
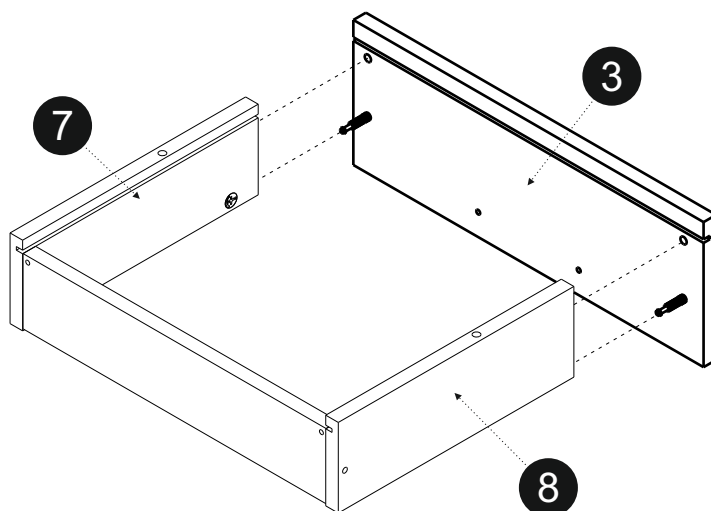
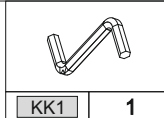
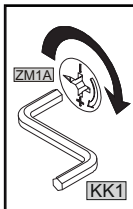
09



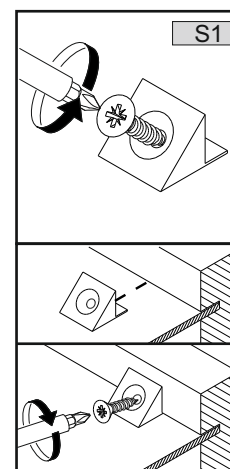
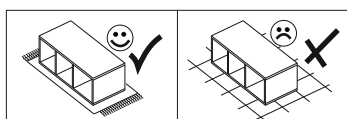
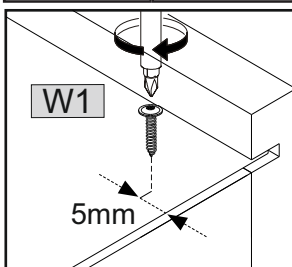
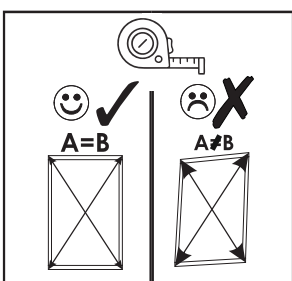
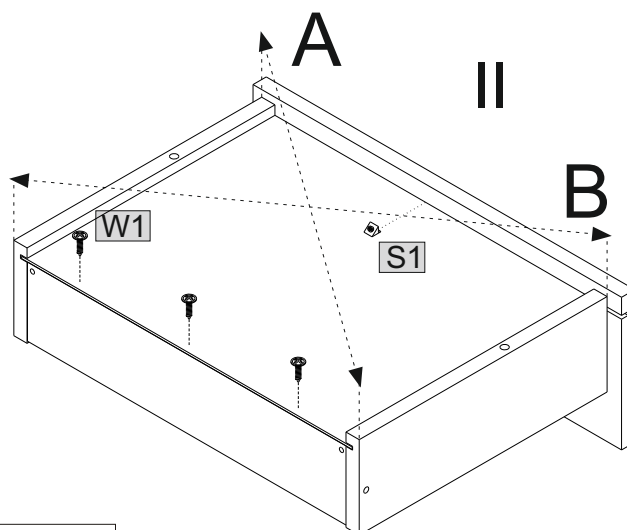
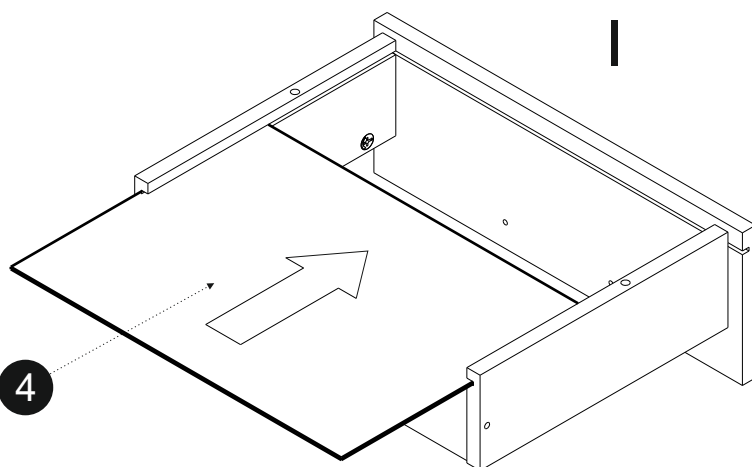
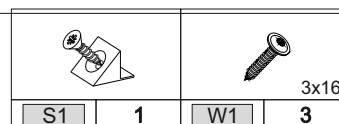
10



11

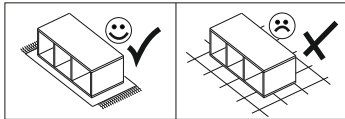
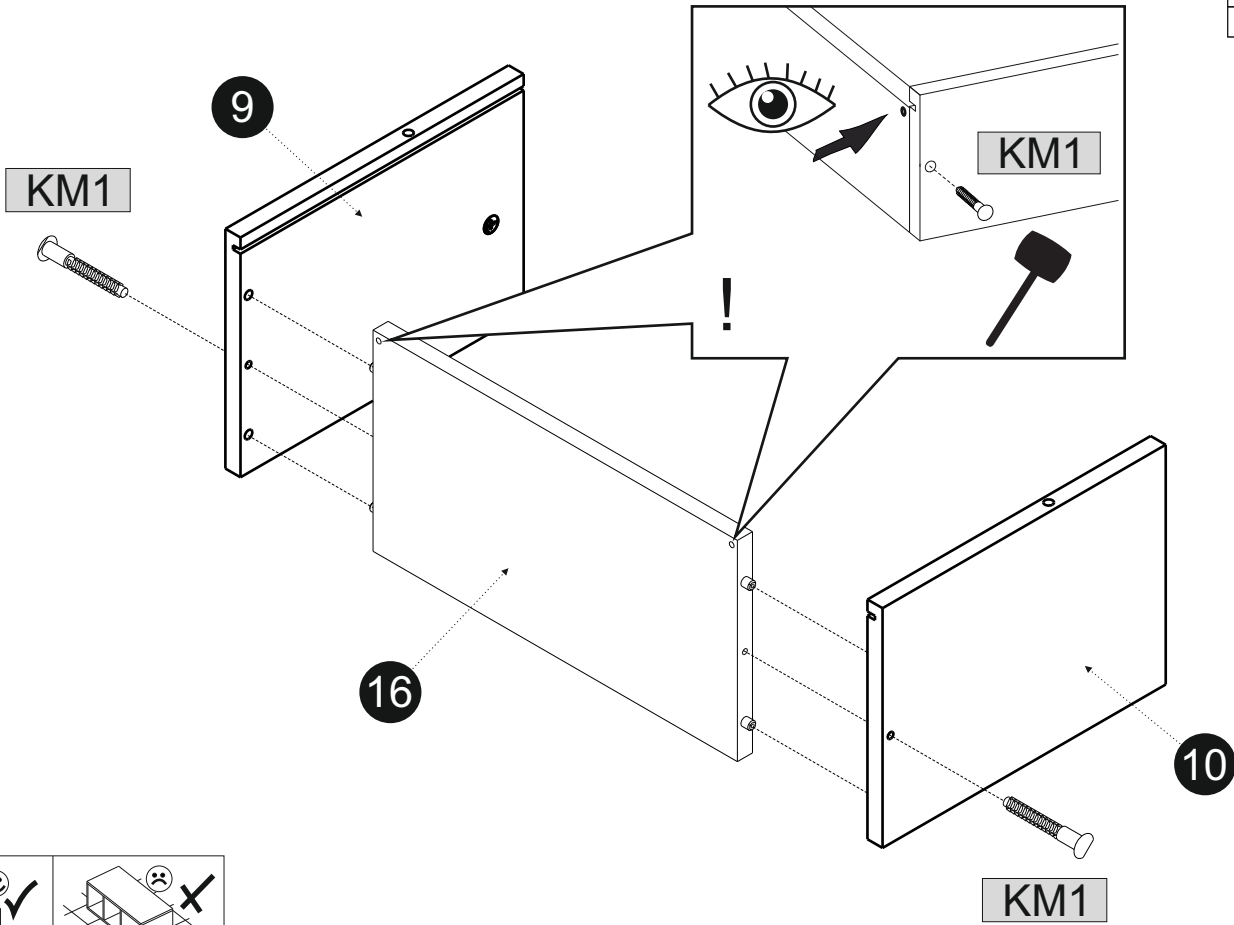
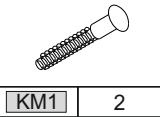


12



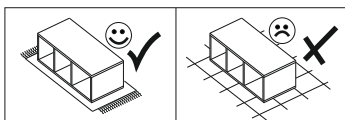
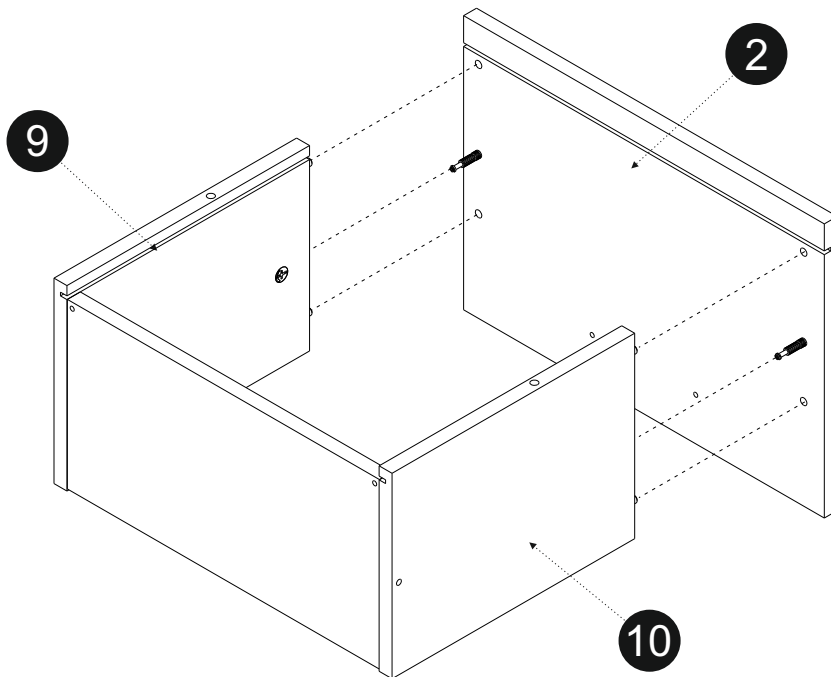
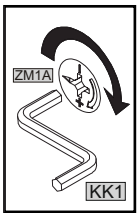
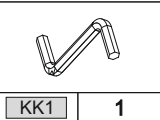
13

2x





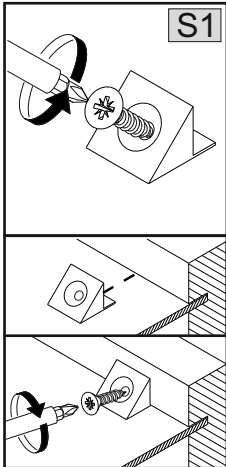
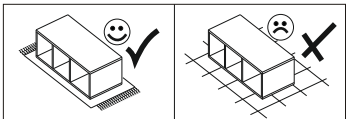
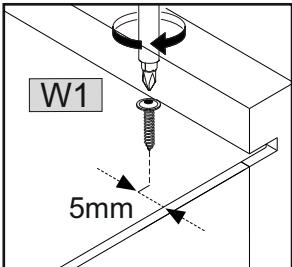
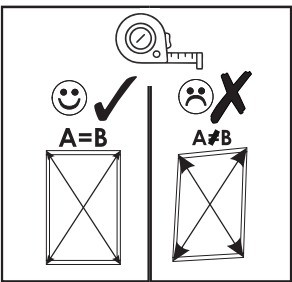
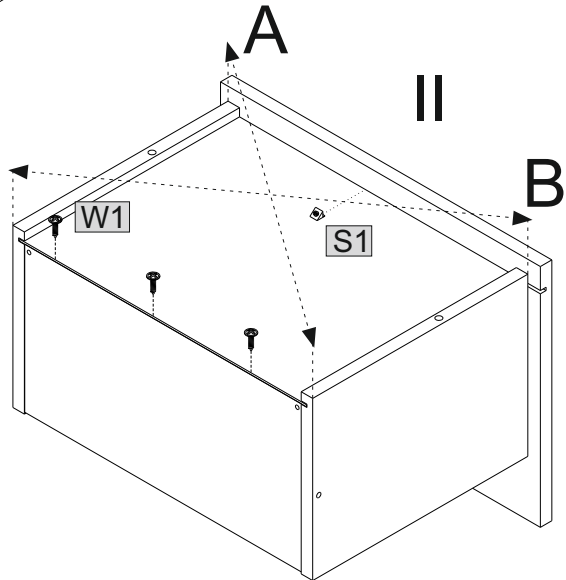
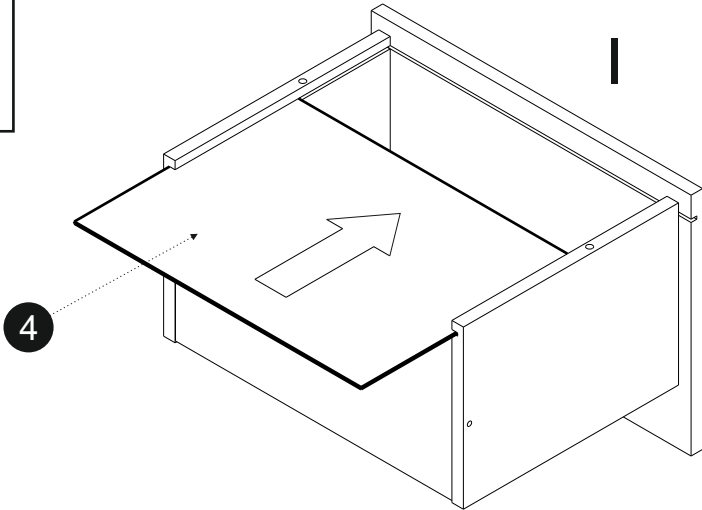
14

2x


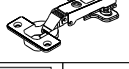


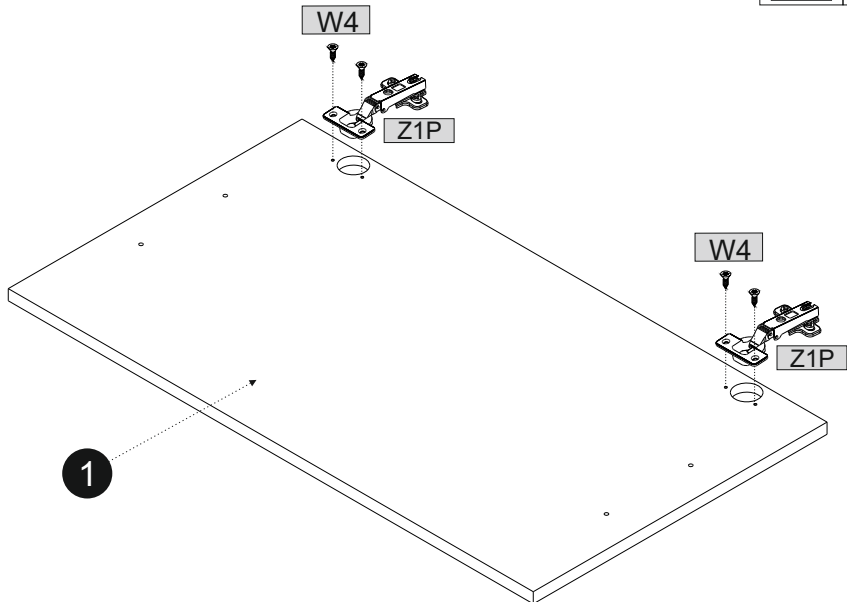
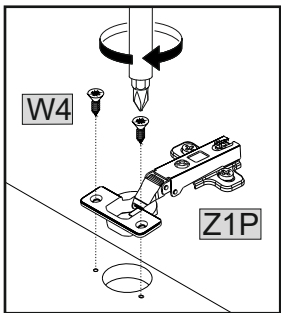
15
2x

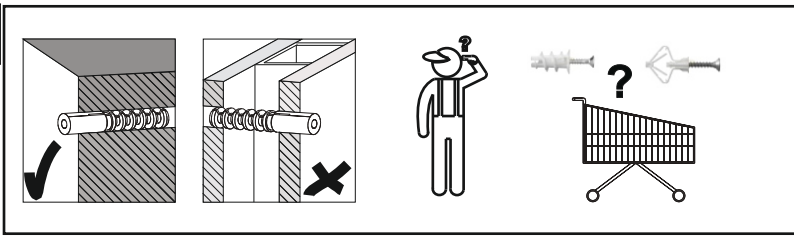
| | | | |
|--|---|--|------|
|  | |  | 3x16 |
| S1 | 1 | W1 | 3 |



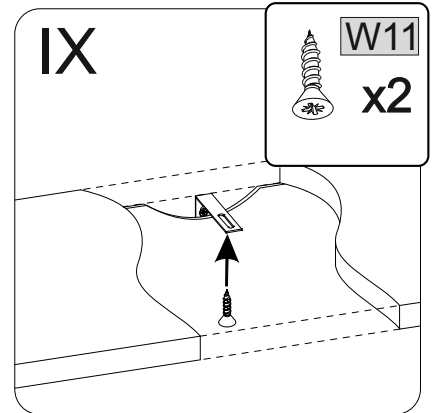
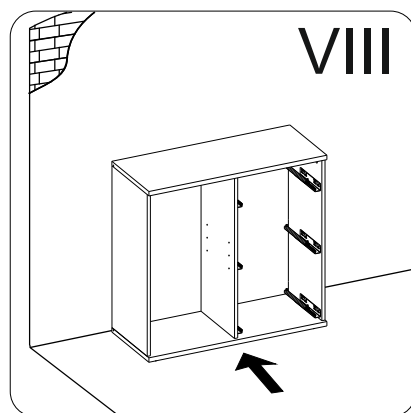
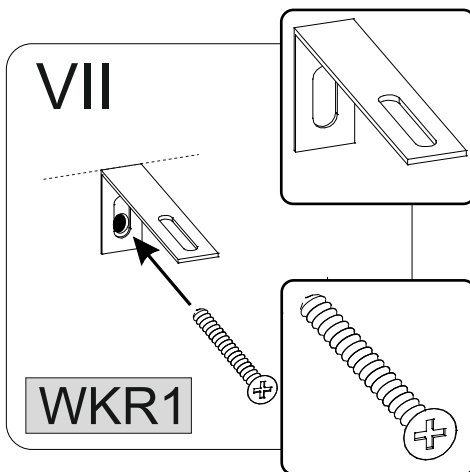
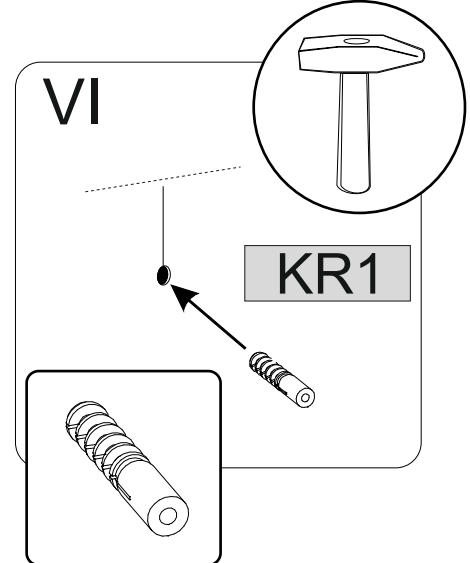
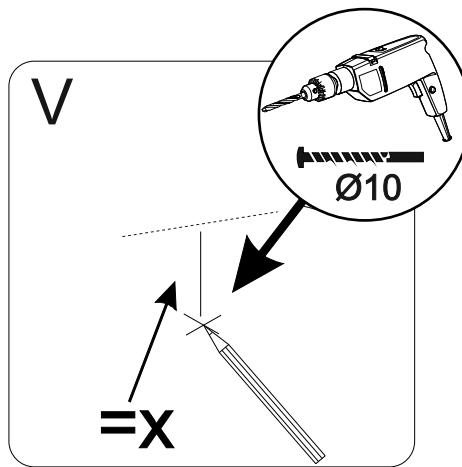
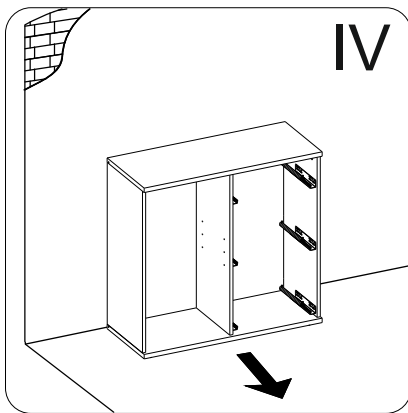
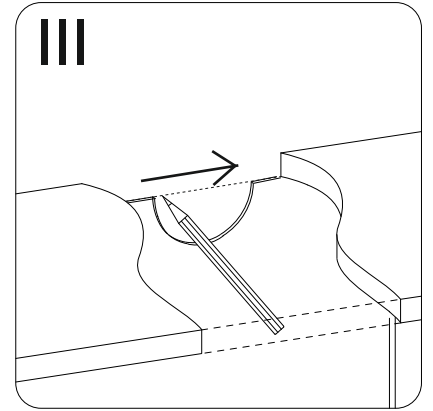
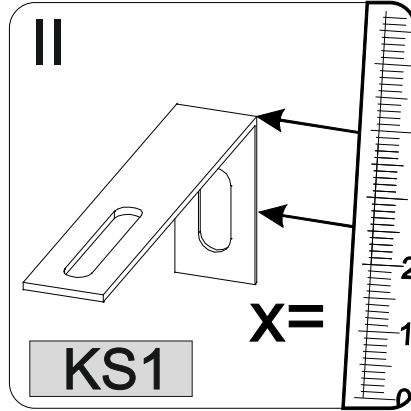
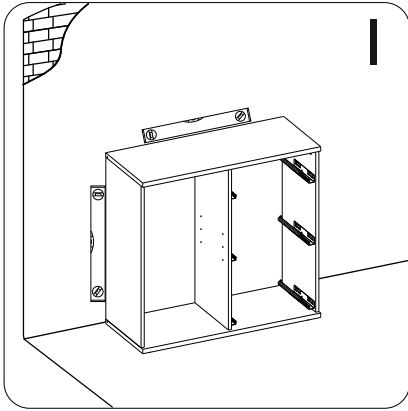
16

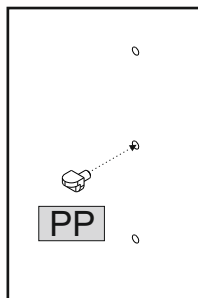
| | | | |
|---|------|---|---|
|  | 4x13 |  | |
| W4 | 4 | Z1P | 2 |



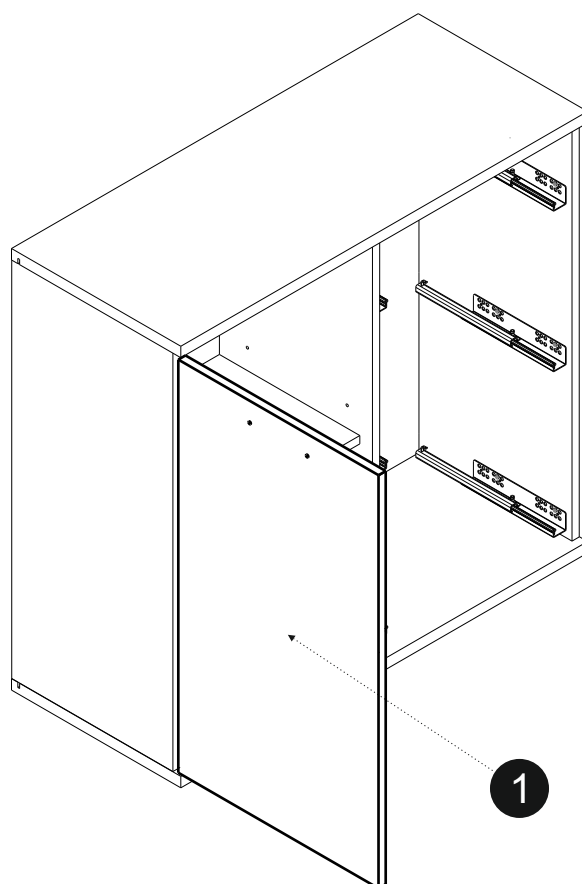
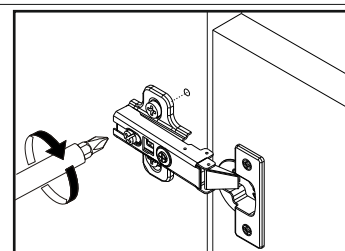
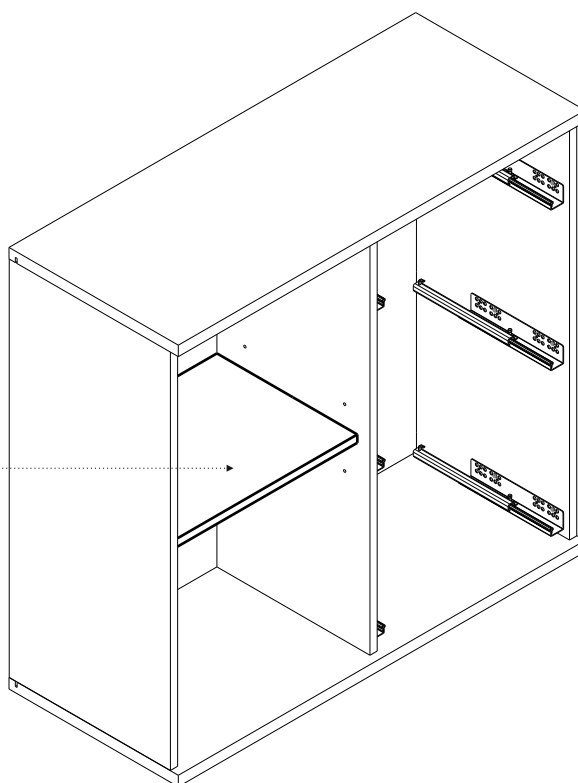


| | | | |
|--------|---|-------|---|
| 3,5x16 | | KS1 | |
| W11 | 2 | KS1 | 1 |
| 10x50 | | 08x40 | |
| KR1 | 1 | WKR1 | 1 |

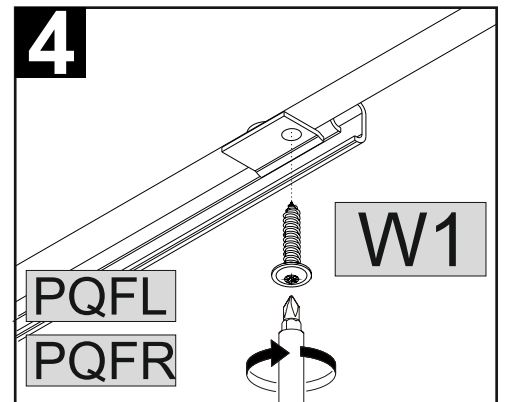
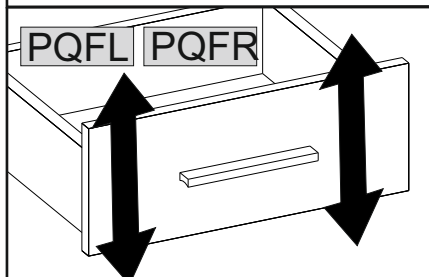
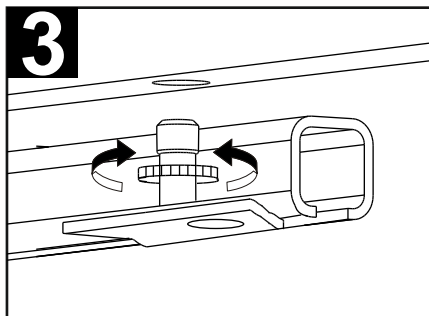
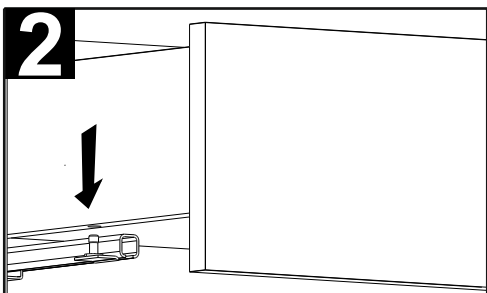
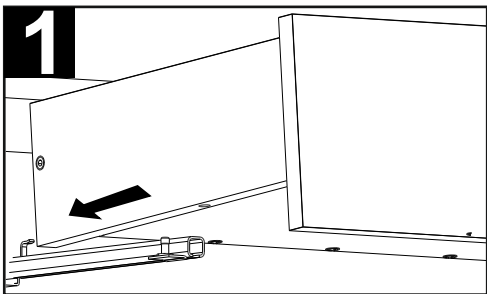
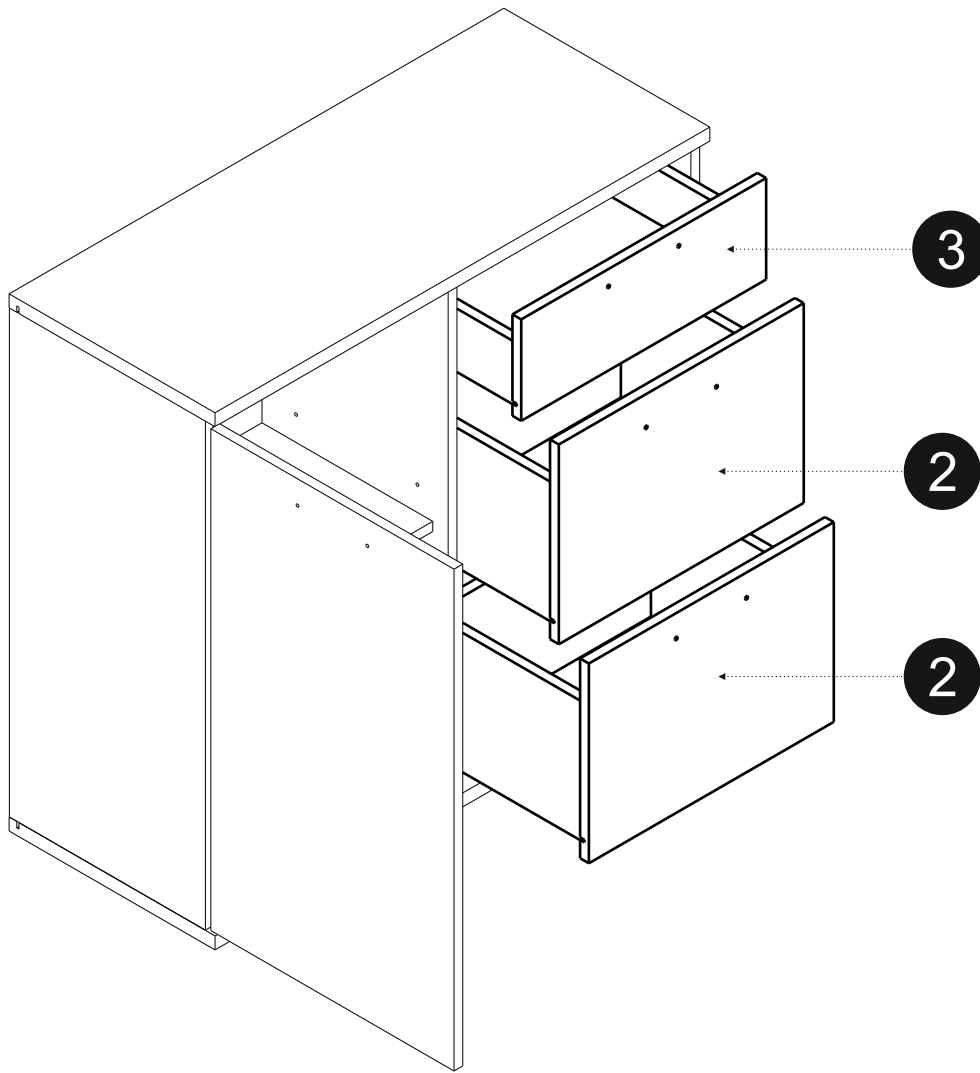




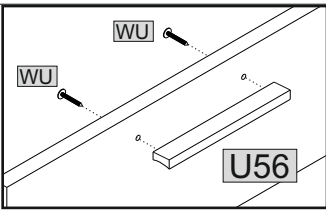
13


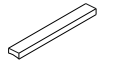


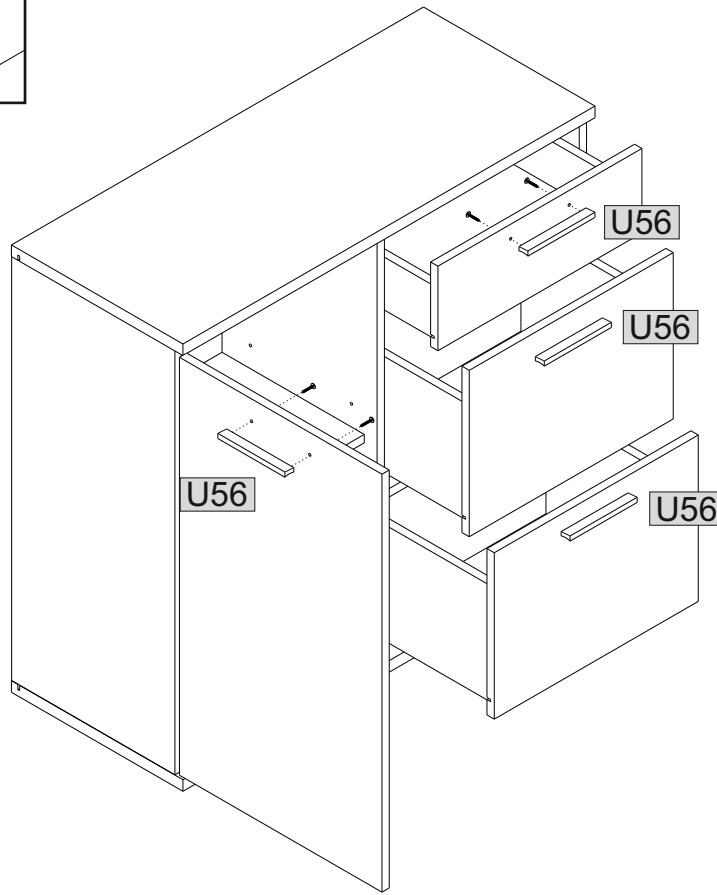
1



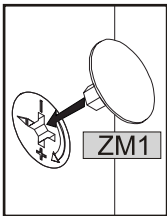
21




| | | | |
|--|---|--|---|
|  | |  | |
| 3.5x25 | | | |
| WU | 8 | U56 | 4 |



22



| | |
|---|---|
|  | |
| ZM1 | 8 |

