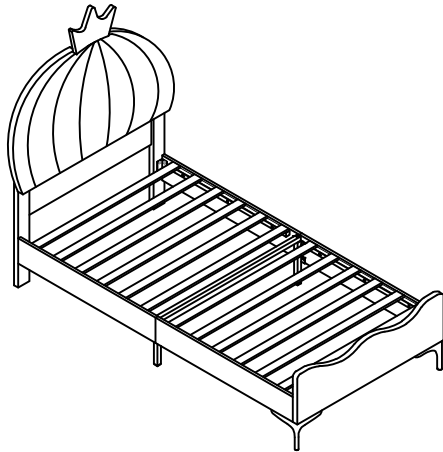


ASSEMBLY INSTRUCTION

Item Number: WF324509

Upholstered Bed: 90x200

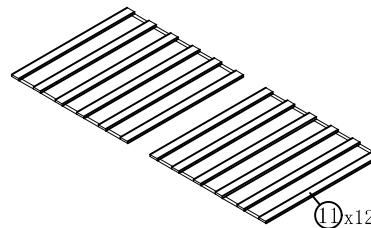
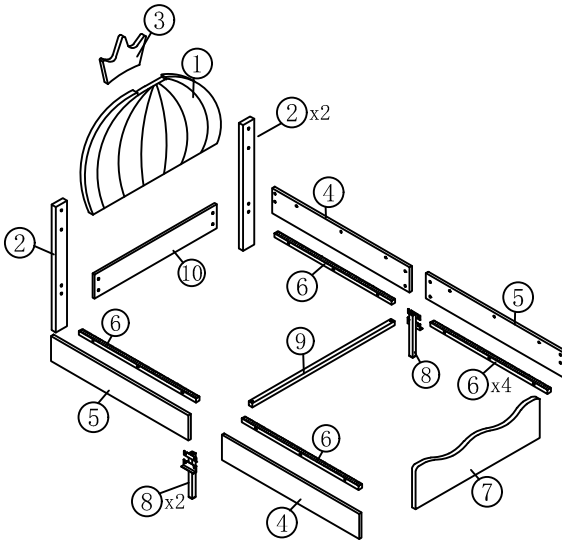





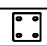


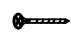
TIPS

1. Please read the instructions fully before assembly. These instructions include important information which could ensure correct assembly. We have been working on providing high quality products for you. However, in the rare instance that your product is defective, missing parts or there are some issues, please don't hesitate to contact our customer service to submit parts requirements, assembly suggestion, or warranty claims, and we will give the best solution as soon as possible. If necessary, we need you to provide some more clear pictures of the issue.

2. Insert the screws in holes and tighten the screws, but not too tight, 70%~80% is ok, finally tighten all the screws. If some issues happened that some screws can not target to the hole or some parts are difficult to install, please adjust the tightness of the screws.

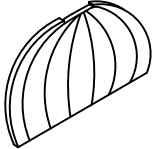


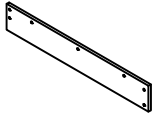
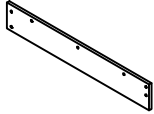
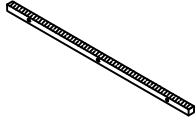
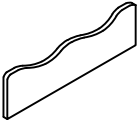

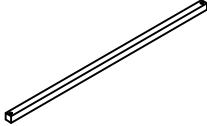

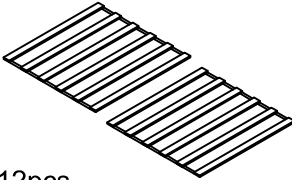
3. 2 people are recommended to finish



Parts List			Hardware List		
NO	ITEM	QTY	NO	ITEM	QTY
1	Head board	1	A	Allen Key 	1
2	Head board legs	2	B	Bolts (M8x45mm) 	4
3	Crown	1	C	Bolts (M8x16mm) 	36
4	Siderails	2	D	Bolts (M8x40mm) 	14
5	Siderails	2	E	Four hole iron 	3
6	Side rails support bar	4	F	"7" Connector 	4
7	Foot board	1	G	Bed legs 	2
8	Side rails support legs	2	H	Nails (M4x25mm) 	8
9	Cross bar	1			
10	Cross board	1			
11	Slats	12			

Part List

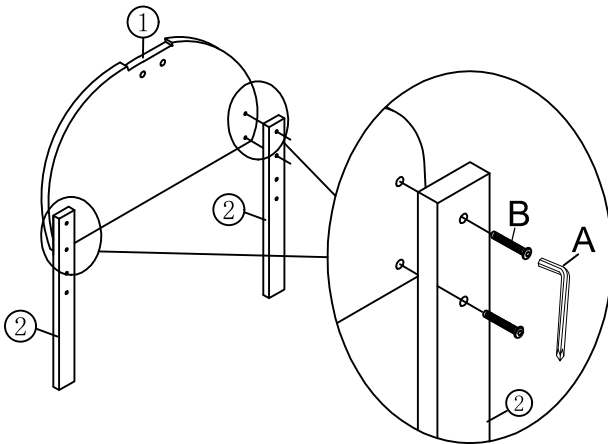
Hardware List+WF324509



1  Head board-1pc	2  Head board legs-2pcs	3  Crown-1pc
4  Siderails-2pcs	5  Siderails-2pcs	6  Side rails support bar-4pcs
7  Foot board-1pc	8  Side rails support legs-2pcs	9  Cross bar-1pc
10  Cross board-1pc	11  Slats-12pcs	

Attention: Do not tighten the screws before completing the entire installation. If you have any difficulty with the installation process, please feel free to contact us.

Step 1

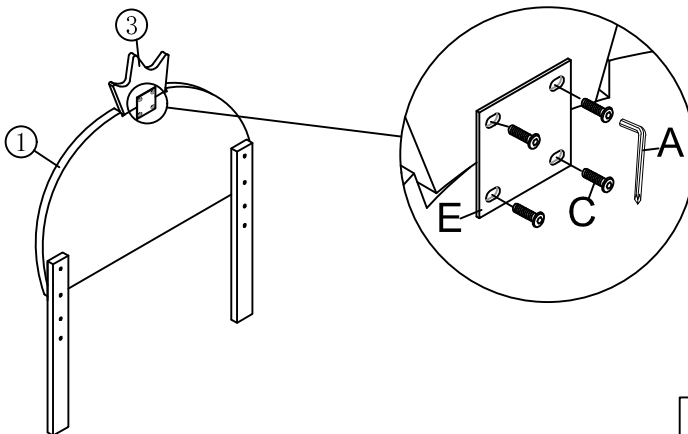
Fix the Headboard legs ② to the Headboard ① with Bolts B by using Allen key A.
 (Befestigen Sie die Beine des Kopfteils ② mit den Schrauben B und dem Inbusschlüssel A am Kopfteil ①.)



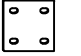


Allen Key 	B Bolts x 4  M8X45mm
--	---

Step 2

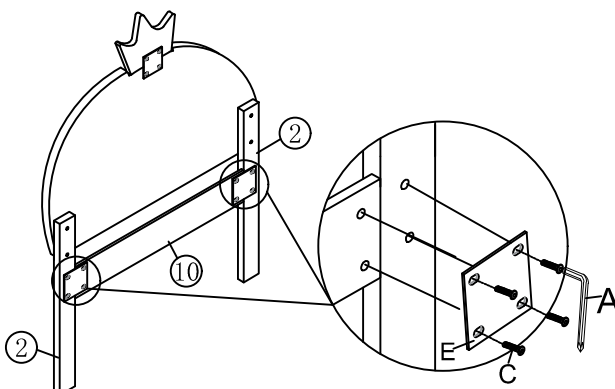
Fix the Crown ③ to the headboard ① with Bolt C and Four hole iron E by using Allen key A.
 (Befestigen Sie die Krone ③ mit der Schraube C und dem Vierlocheisen E unter Verwendung des Inbusschlüssels A am Kopfteil ①.)



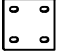


Allen Key 	C Bolts x 4  M8X16mm	E Four hole iron x 1 
--	---	---

Step 3 x2

Fix the Cross board ⑩ to the Head board legs ② with Four hole iron E and Bolts C by using Allen key A.
 (Befestigen Sie das Cross Board ⑩ am Head Board Bein ② mit Vierloch Eisen E und Schrauben C mit Inbusschlüssel A.)

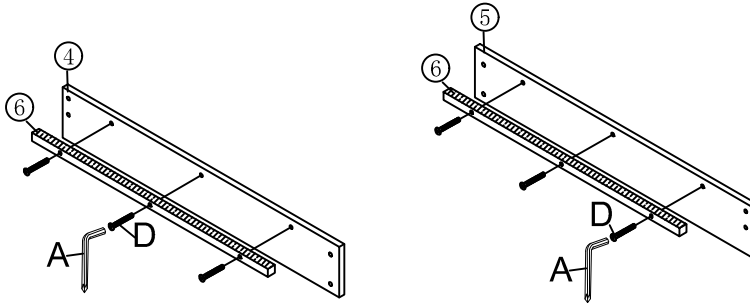




Allen Key 	C Bolts x 8  M8X16mm	E Four hole iron x 2 
--	---	---

Step 4 x2

Connect Siderail support bar (6) to Siderails (4) and (5) with Bolts D by using Allen key A.

(Verbinden Sie die Seitengitter-Stützstange (6) mit den Schrauben D und dem Inbusschlüssel A mit den Seitengittern (4) und (5).)

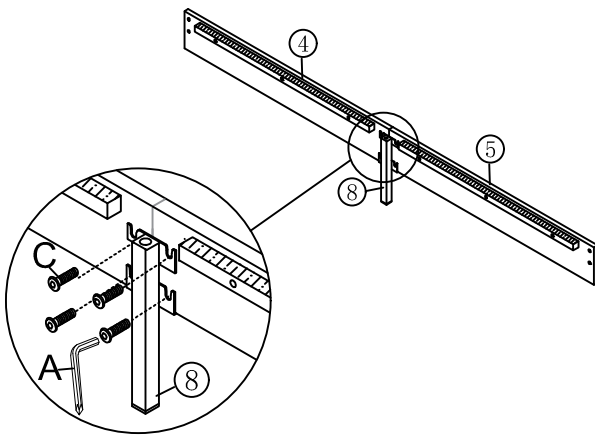




Allen Key 	D Bolts x 12  M8X40mm
--	--

Step 5 x2

Fix the side rails support leg (8) to the side rail (4) and (5) with Bolts C by using Allen key A.

(Befestigen Sie das Seitengitter-Stützbein (8) mit den Schrauben C und dem Inbusschlüssel A an den Seitengittern (4) und (5).)

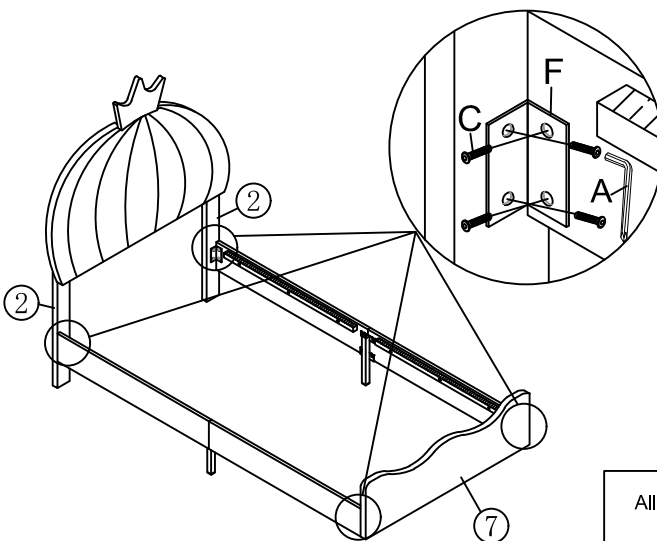





Allen Key 	C Bolts x 8  M8X16mm
--	---

Step 6

Fix the assembled side rail to the Headboard legs (2) and foot board (7) with Bolts C and "7" Connector F by using Allen key A.

(Befestigen Sie die zusammengesetzte Seitenschiene mit den Schrauben C und dem 7-Zoll-Anschluss F unter Verwendung des Inbusschlüssels A an den Kopfteilbeinen (2) und dem Fußteil (7).)

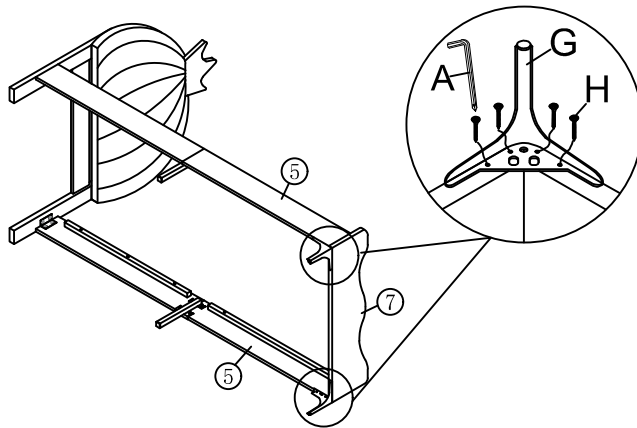





Allen Key 	C Bolts x 16  M8X16mm	F "7" Connector x 4 
--	--	--

Step 7

Fix the legs G to the siderail ⑤ and foot board ⑦ with Nails H by using Allen key A or Electric drill.

(Befestigen Sie die Beine G mit Nägeln H an der Seitenschiene ⑤ und dem Fußbrett ⑦, indem Sie den Inbusschlüssel A oder eine elektrische Bohrmaschine verwenden.)

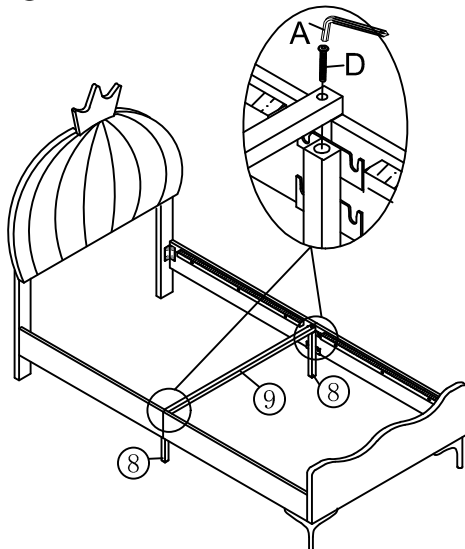




Allen Key 	G Bed legs x2 	H Nails x 8  M4X25mm
---	--	---

Step 8

Fix the cross bar ⑨ to the side rails support legs ⑧ with Bolts D by using Allen key A.

(Befestigen Sie die Querstange ⑨ mit den Schrauben D und dem Inbusschlüssel A an den Stützbeinen der Seitenschiene ⑧.)



Allen Key 	D Bolts x 2  M8X40mm
--	---

Step 9

Fix the slats ⑪ to the side support bar ⑥, then assembly is finished, now please tighten all hardware and enjoy the bed.

(Befestigen Sie die Lamellen ⑪ an der seitlichen Stützstange ⑥, der Zusammenbau ist abgeschlossen.)

