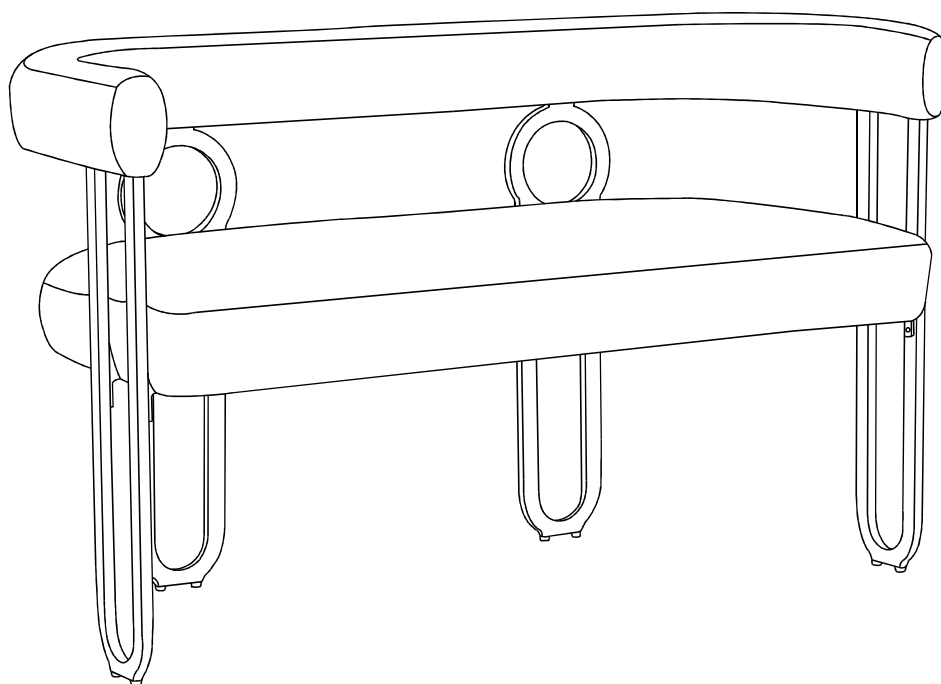


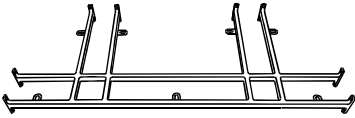
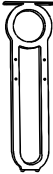





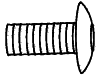

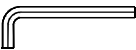
ASSEMBLY INSTRUCTION

Dining Chair

HFSN-1021

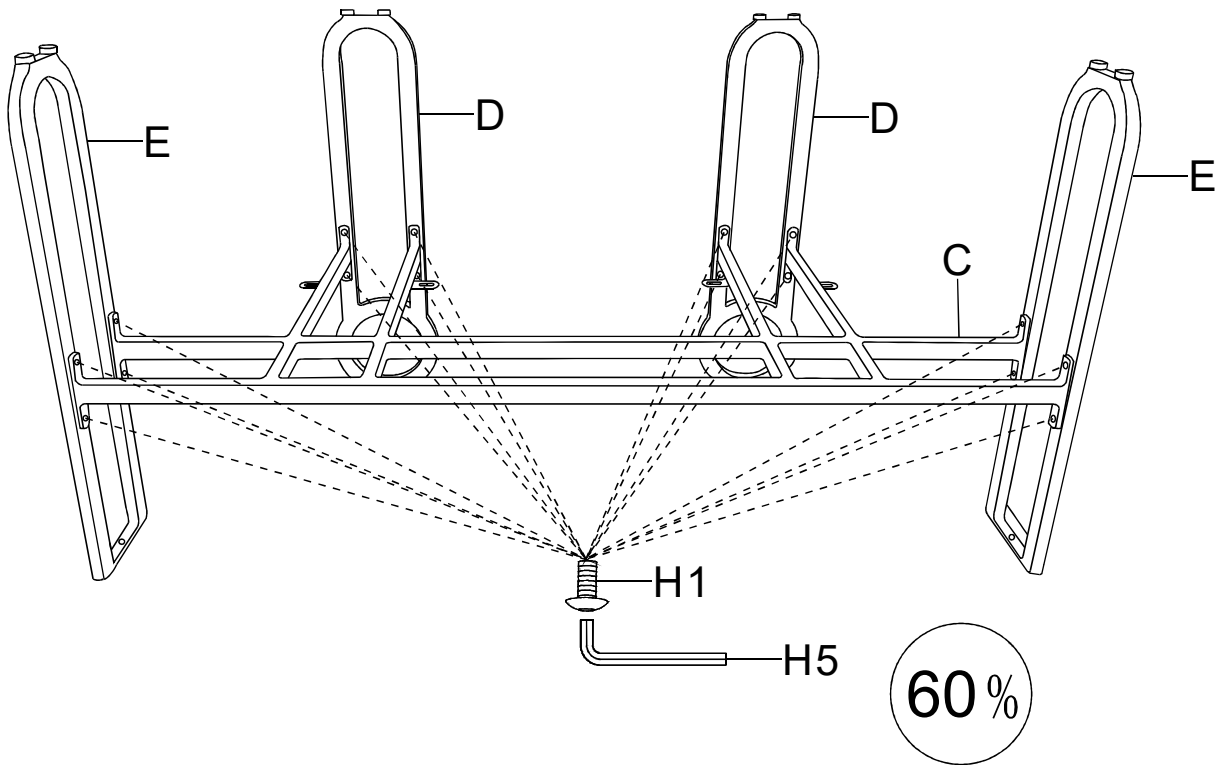


ComponentList			
LABEL		DESCRIPTION	QTY
A		Chair Back	1
B		Chair Seat	1
C		Connecting Rod	1
D		Leg	2
E		Leg	2

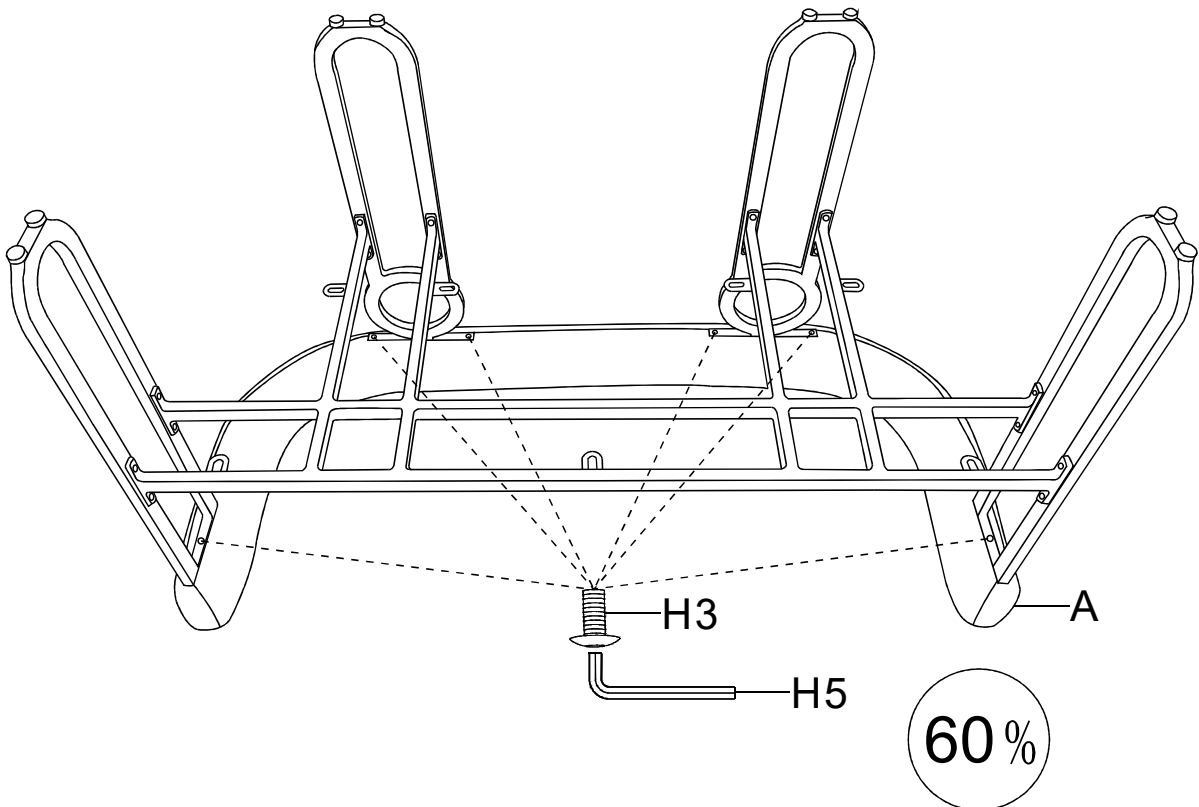
HardwareList			
LABEL		DESCRIPTION	QTY
H1		Bolts M6*16MM	16
H2		Bolts M6*25MM	7
H3		Bolts M8*30MM	6
H4		Shim 6*16*1MM	7
H5		Allen Key	1

AssemblySteps

1

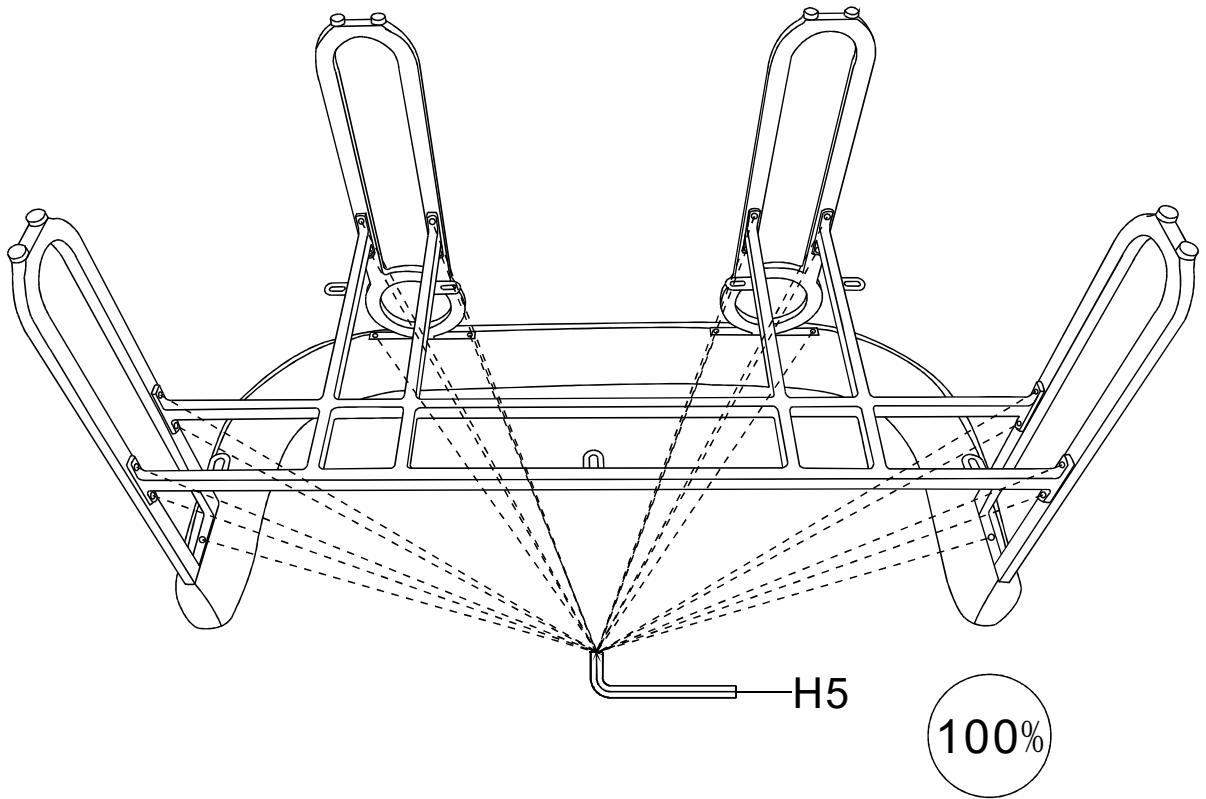


2

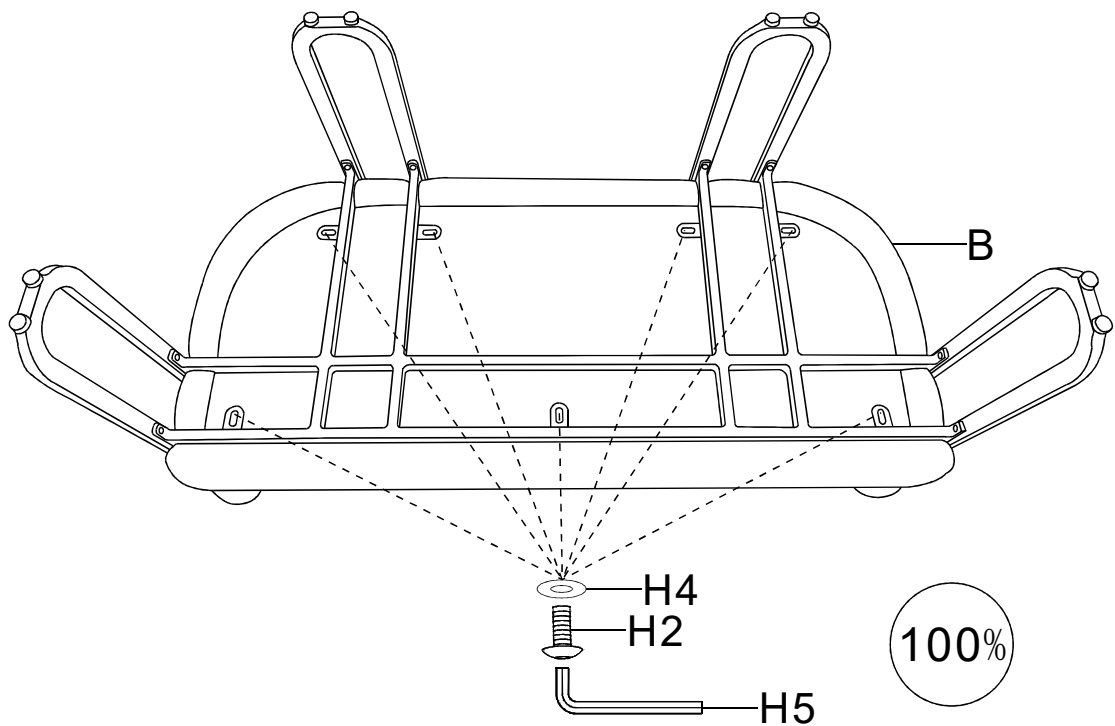


AssemblySteps

3



4



AssemblySteps

5

