

**D** Gebrauchsanweisung

**NL** Gebruiksrichtlijnen

**IT** Istruzioni per l'uso

**CZ** Pokyny k použití

**HU** Használati útmutató

**PT** Instruções de utilização

**SK** Pokyny k použitiu

**GB** Instructions for use

**FR** Instructions d'utilisation

**PL** Instrukcja obsługi

**ES** Instrucciones de empleo

**RO** Instrucțiuni de folosire

**RU** Инструкция по монтажу

**TR** Kullanım talimatları

Please check that you have all the parts listed before you start assembling, if you do find that something is missing, do not continue assembly, please contact us immediately.

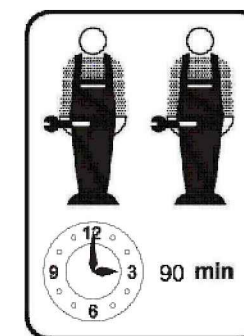
**NOTE:** Please do not completely tighten all the hardware until the entire assembly is complete!

Bitte überprüfen Sie, ob alle Teile mitgeliefert sind, bevor Sie mit der Montage beginnen. Wenn Sie festlegen, dass etwas fehlt, setzen Sie die Montage nicht fort. Bitte kontaktieren Sie uns sofort.

**Achtung:** Bitte ziehen Sie nicht alle Schrauben fest, bevor die Montage abgeschlossen ist!

This set will be shipped by 2 boxes and they may arrive on different days. If both packages arrived but parts missing, please contact customer service.

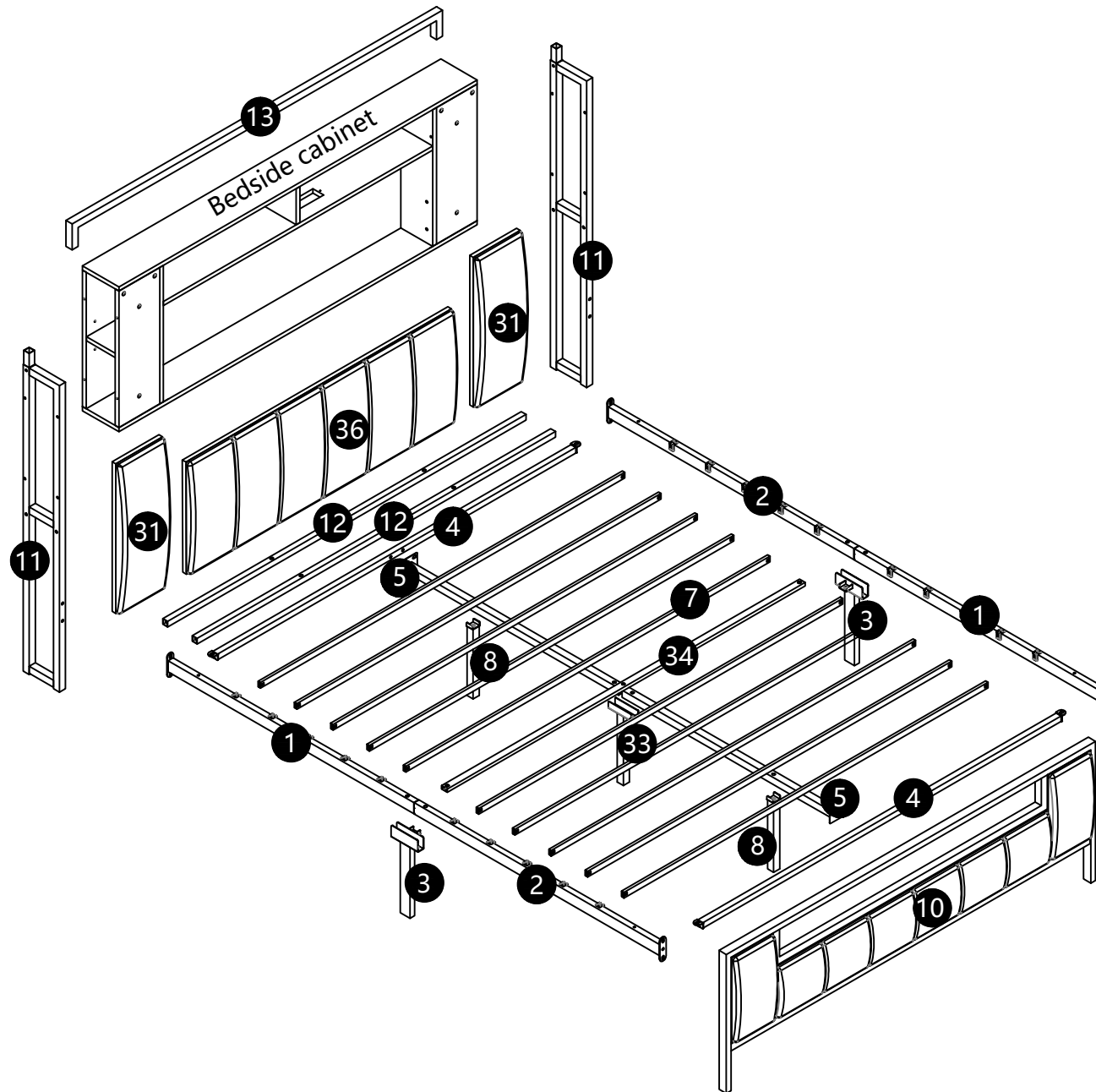
Dieses Set ist in 2 Boxen enthalten. Wenn Sie keine vollen 2 Boxen erhalten, wenden Sie sich bitte an unseren Kundenservice



**SKU: WF323364/WF323365**


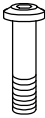
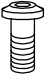
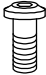
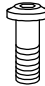
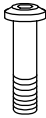
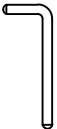
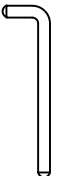
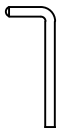
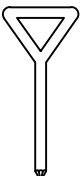


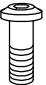



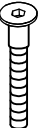

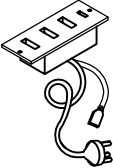
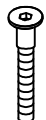
**SKU: WF323366/WF323367**

# Montageanleitung für Bettgestell



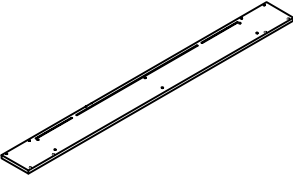
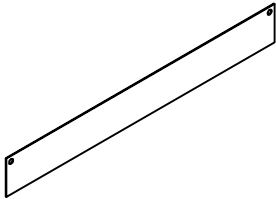
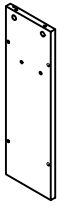



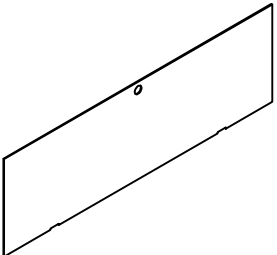
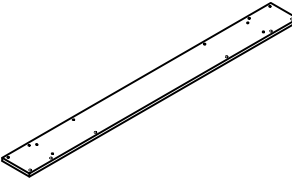
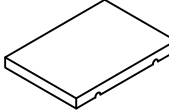
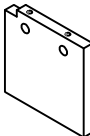

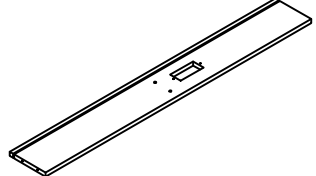
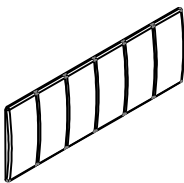
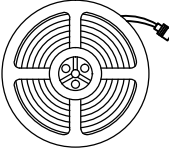
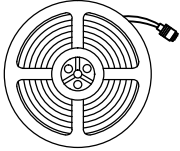


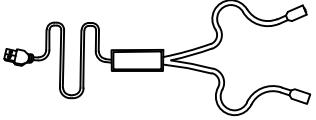
# Montageanleitung für Bettgestell

## Hardware Parts Hardware-Teile SKU WF323364/WF323366

<b>A</b> X5  M6*15	<b>B</b> X5  M6*45	<b>C</b> X9  M8*13	<b>D</b> X18  M8*20	<b>E</b> X5  M8*35	<b>F</b> X6  M8*48	<b>G</b> X1  M4/M6
<b>H</b> X1  M5/M8	<b>I</b> X1  M3/M5	<b>O</b> X1  M8*φ22	<b>Q</b> X8  M8*φ22	<b>T</b> X10  M8*27	<b>U</b> X5  M6*27	<b>J</b> X14 
<b>K</b> X14 	<b>L</b> X1 	<b>M</b> X28  M5*35	<b>N</b> X3  M3*12	<b>R</b> X1 	<b>S</b> X9  M5*50	

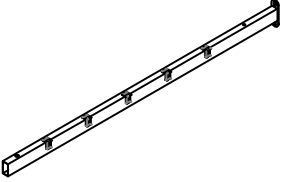
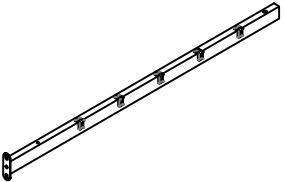
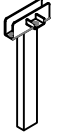
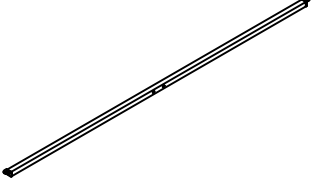
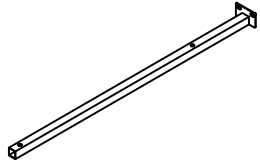
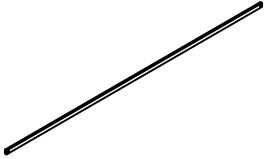

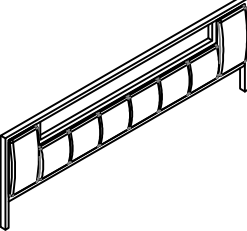

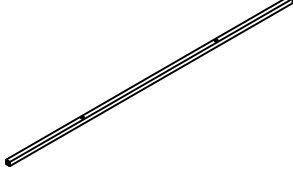
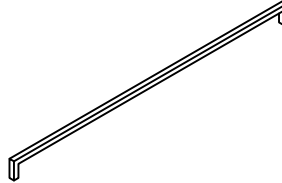
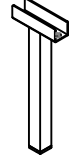
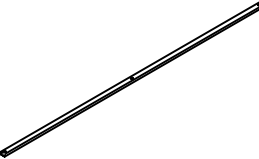
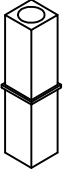


# Montageanleitung für Bettgestell

## Part List-Stückliste SKU WF323364/WF323366

<b>21</b> X1 	<b>22</b> X1 	<b>23</b> X1 	<b>24</b> X1 	<b>25</b> X2 	<b>26</b> X2 
<b>27</b> X1 	<b>28</b> X1 	<b>29</b> X2 	<b>30</b> X1 	<b>31</b> X2 	<b>32</b> X1 
<b>36</b> X1 	<b>39</b> X1  <b>short light bar</b>	<b>40</b> X1  <b>Long light bar</b>	<b>41</b> X12  <b>Strap magic tape</b>	<b>42</b> X1  <b>Remote control</b>	<b>43</b> X1  <b>Power cord</b>

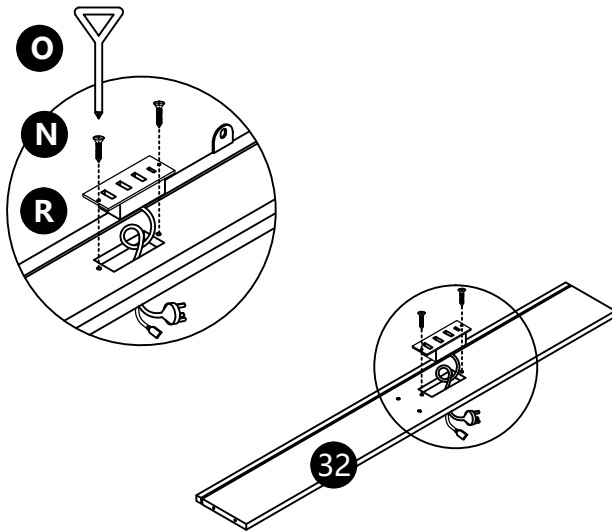
# Montageanleitung für Bettgestell

## Part List-Stückliste SKU WF323365/WF323367

<b>1</b> X2 	<b>2</b> X2 	<b>3</b> X2 	<b>4</b> X2 	<b>5</b> X2 	<b>7</b> X10 
<b>8</b> X2 	<b>10</b> X1 	<b>11</b> X2 	<b>12</b> X2 	<b>13</b> X1 	<b>33</b> X1 
<b>34</b> X1 	<b>35</b> X2 	<b>37</b> X1 	<b>38</b> X1 		

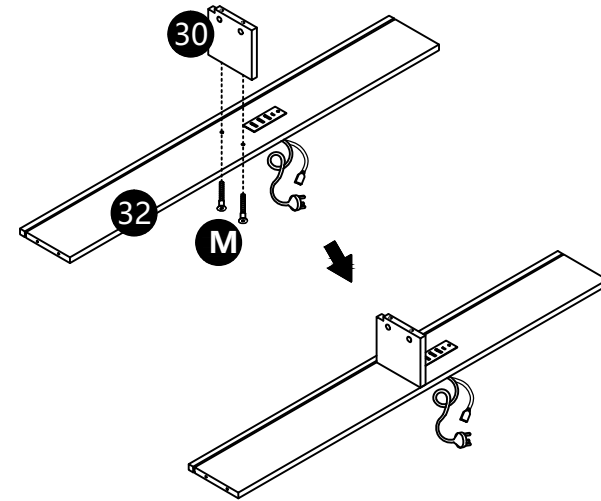
# Montageanleitung für Stauraum-Kopfteil

Step:1



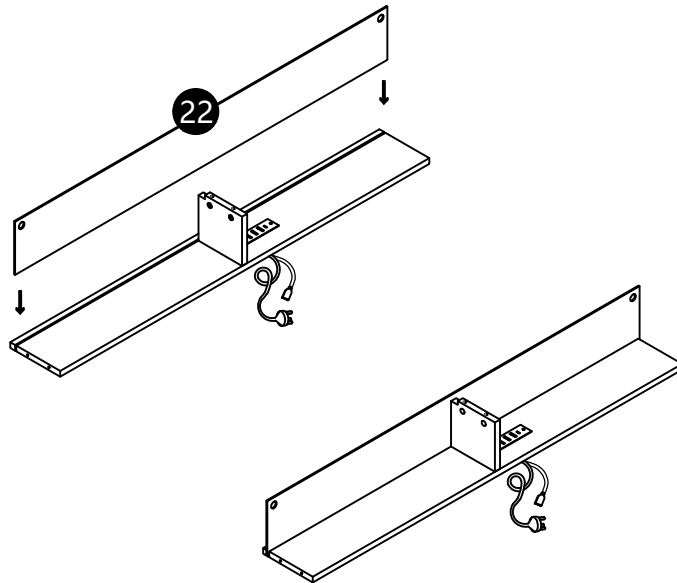
M3\*12 **N** X 2PCS

Step:2

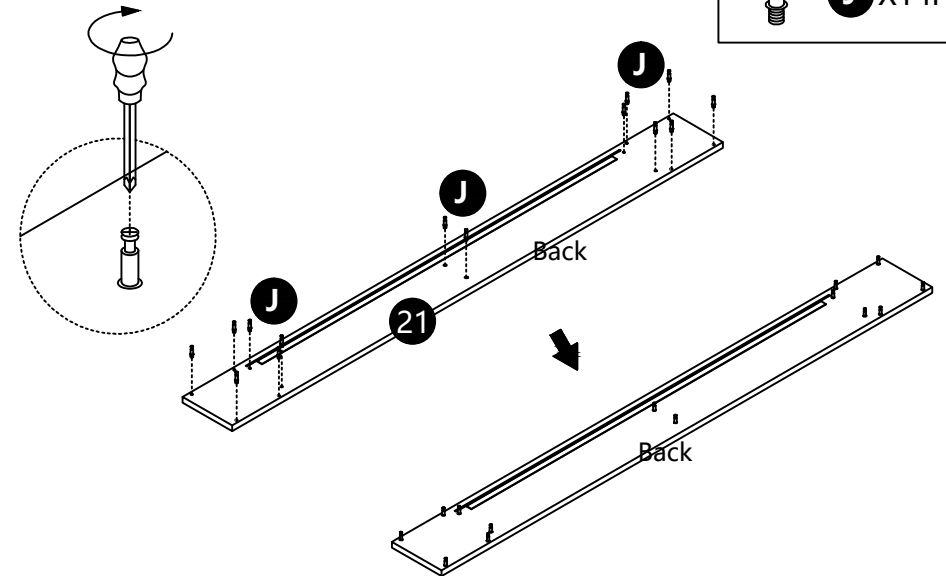


M5\*35 **M** X 2PCS

Step:3



Step:4

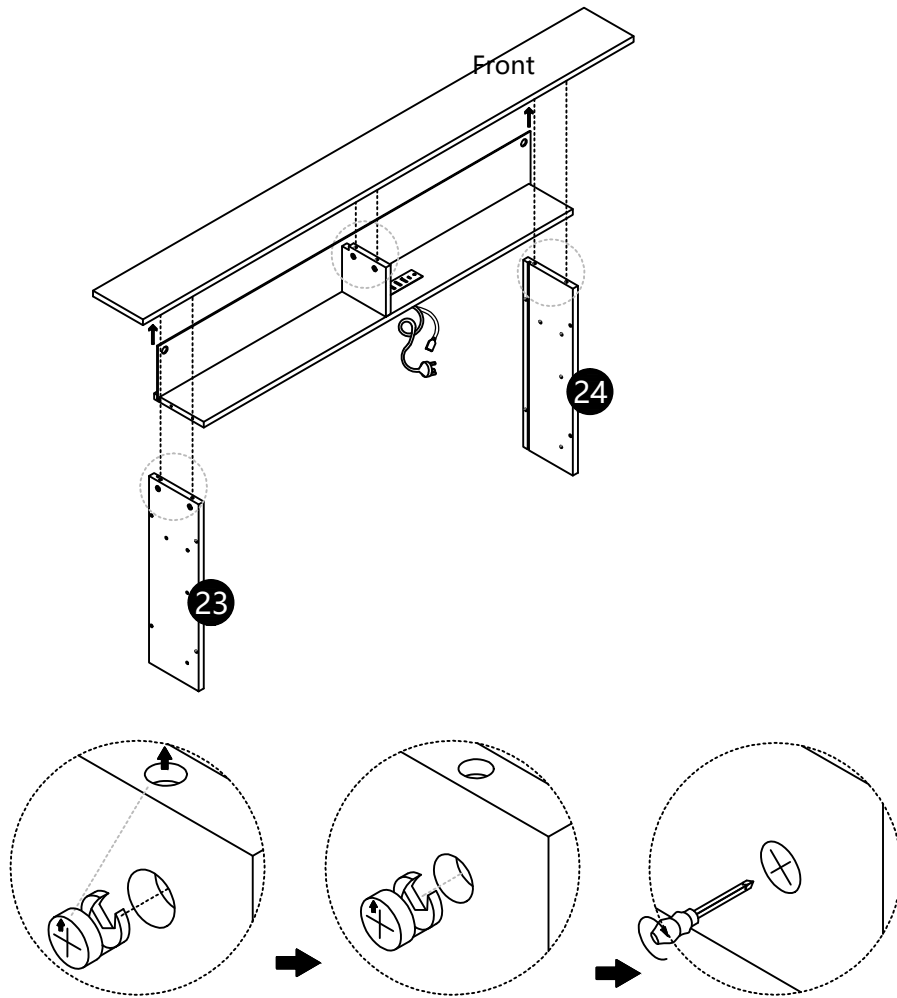


**J** X14PCS

# Montageanleitung für Stauraum-Kopfteil

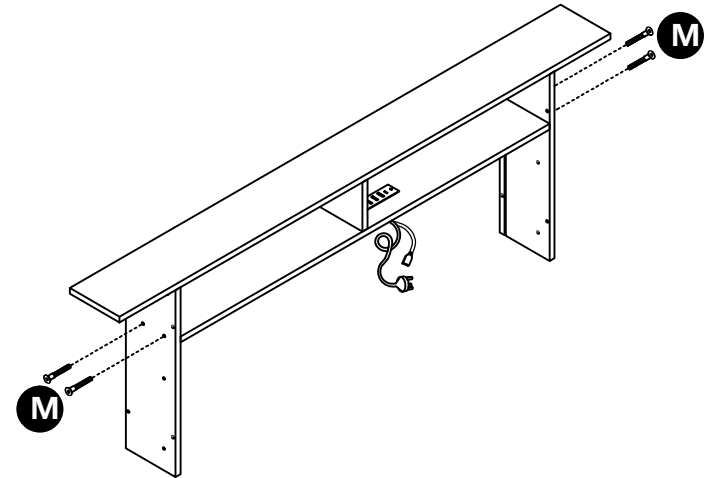
Step:5

 **K** X6PCS



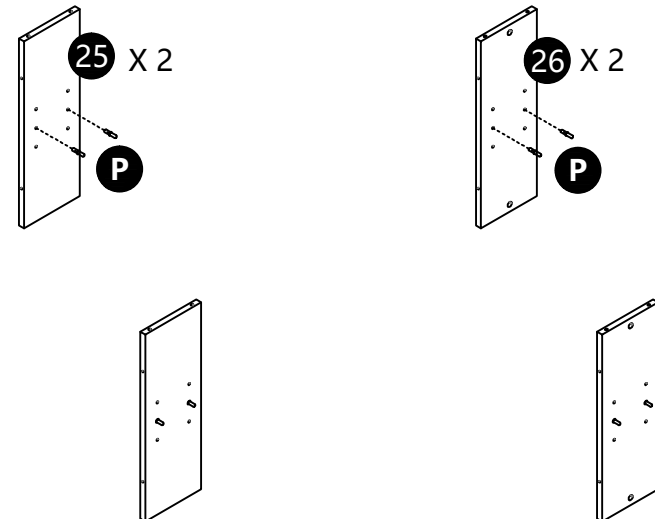
Step:6

 M5\*35 **M** X 4PCS



Step:7

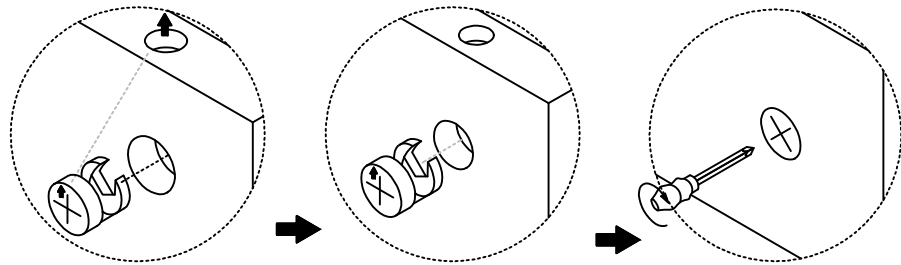
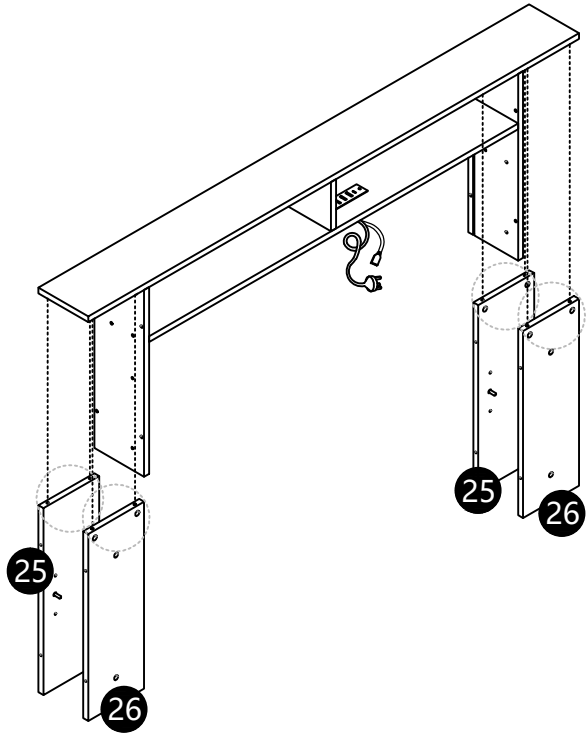
 **P** X 8PCS



# Montageanleitung für Stauraum-Kopfteil

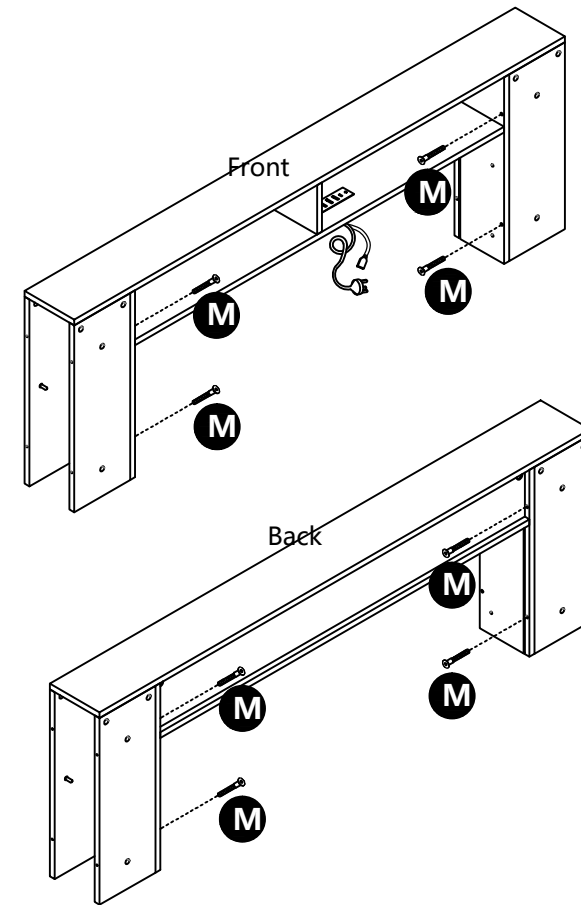
Step:8

 **K** X8PCS



Step:9

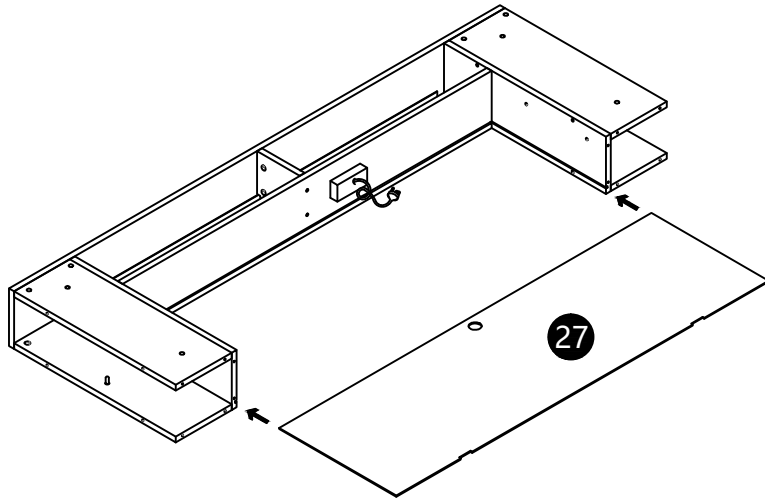
 **M** X 8PCS  
M5\*35



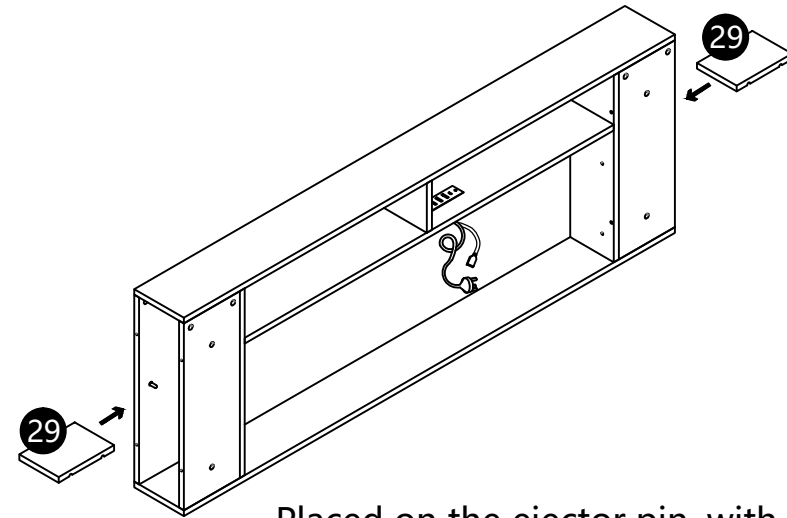


# Montageanleitung für Stauraum-Kopfteil

Step:10

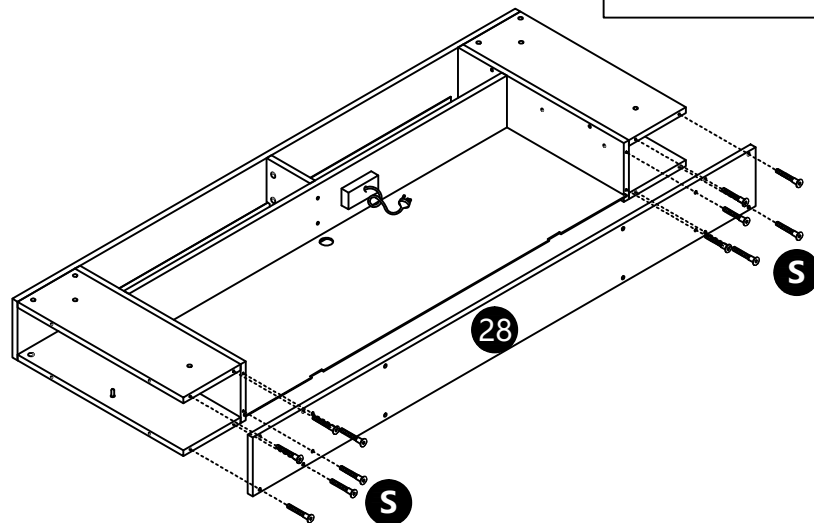


Step:12



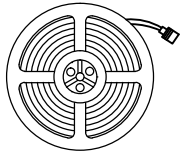
Placed on the ejector pin, with a concave groove at the bottom of the board that can be directly clamped

Step:11



 M5\*35 **S** X12PCS

# Montageanleitung für Stauraum-Kopfteil

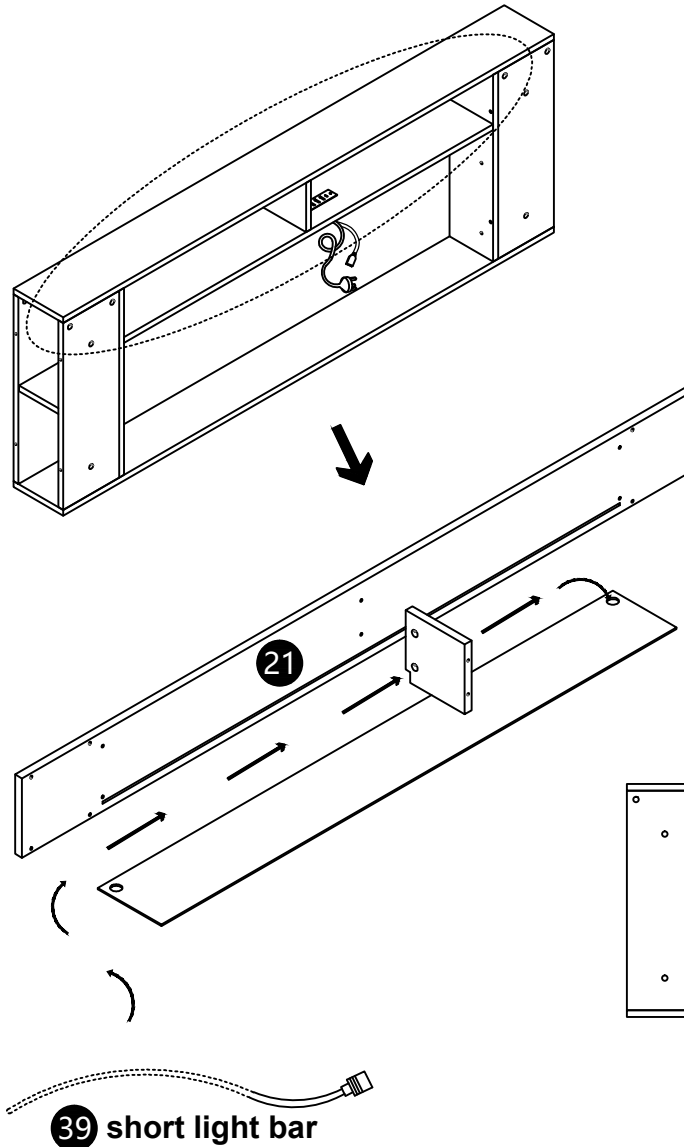


short light bar

39 1PC

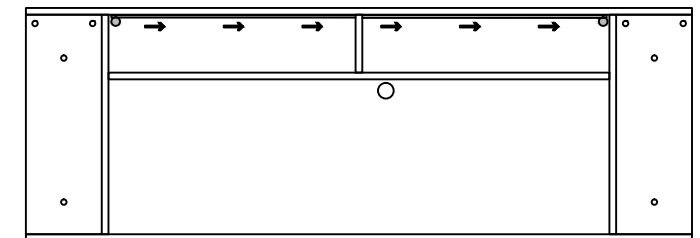
Step:13

In order to better reflect the assembly process of LED light belt, this drawing adopts the exploded view of bed cabinet.



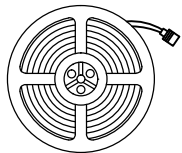
Please pass the light strip through the holes in sequence as shown in the diagram and exit from the holes in the rear panel.

Please note that the adhesive surface should be attached to the inner winding surface for optimal use.



Please stick the light strip on ( 21 )

39 short light bar

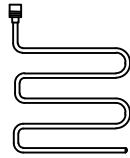


short light bar

39



Pull out and unfold



short light bar

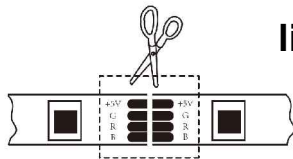
39

When unfolded, you can get light strip

One side of the light bar is sticky and the other side is luminous band. Please distinguish it carefully.

Tear off the anti sticking strip of the light strip. Stick the lamp where you want to install it. The installation here is only a demonstration of a scheme

light bar

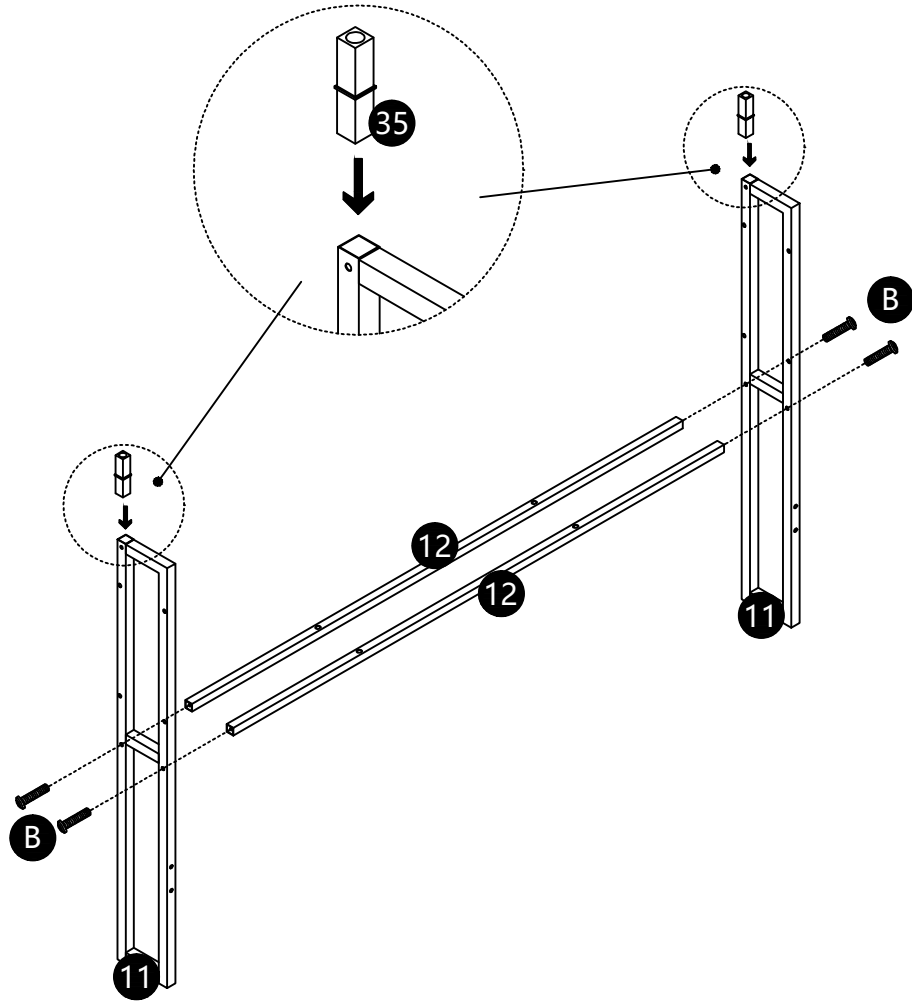


According to the actual length, cut the excess light strip or keep it

# Montageanleitung für Stauraum-Kopfteil

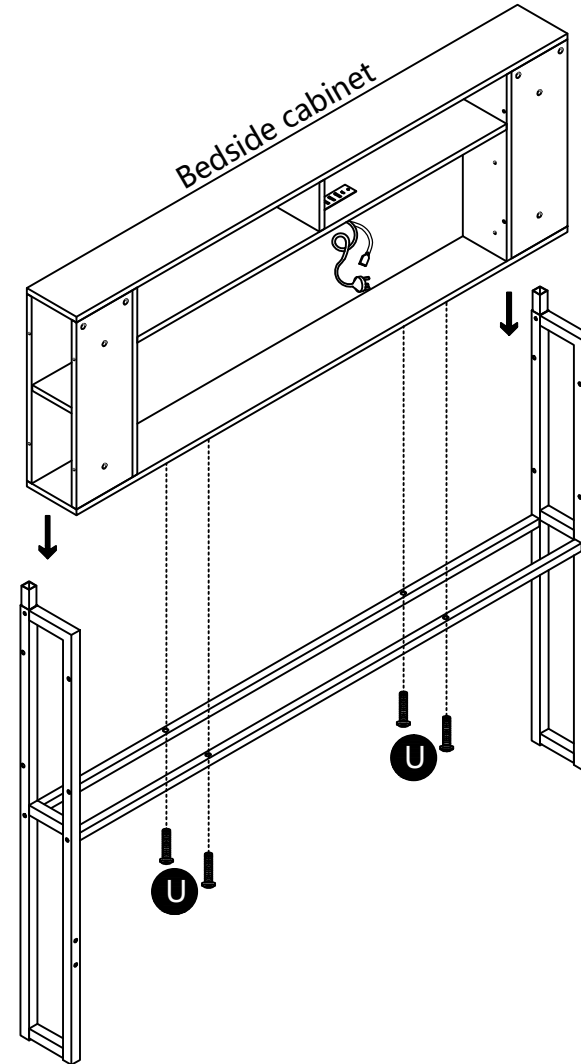
Step:14

 M6\*45 **B** X 4PCS



Step:15

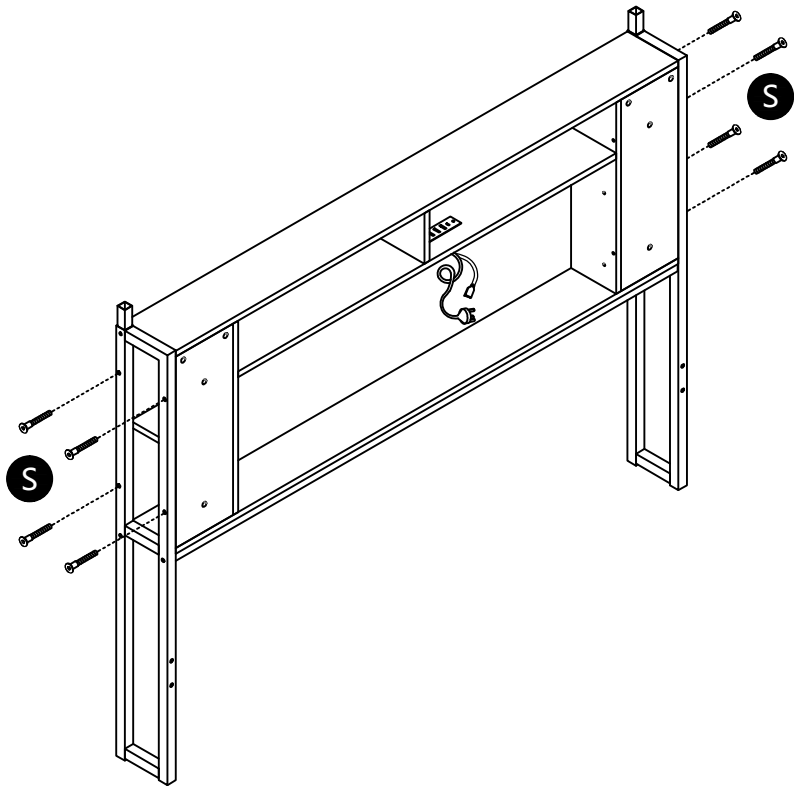
 M8\*27 **U** X 4PCS



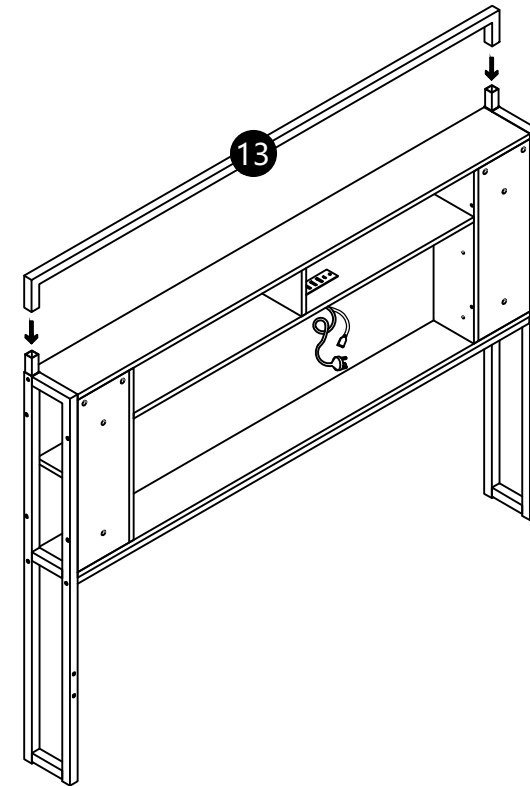
# Montageanleitung für Stauraum-Kopfteil

Step:16

 M5\*50  X 8PCS



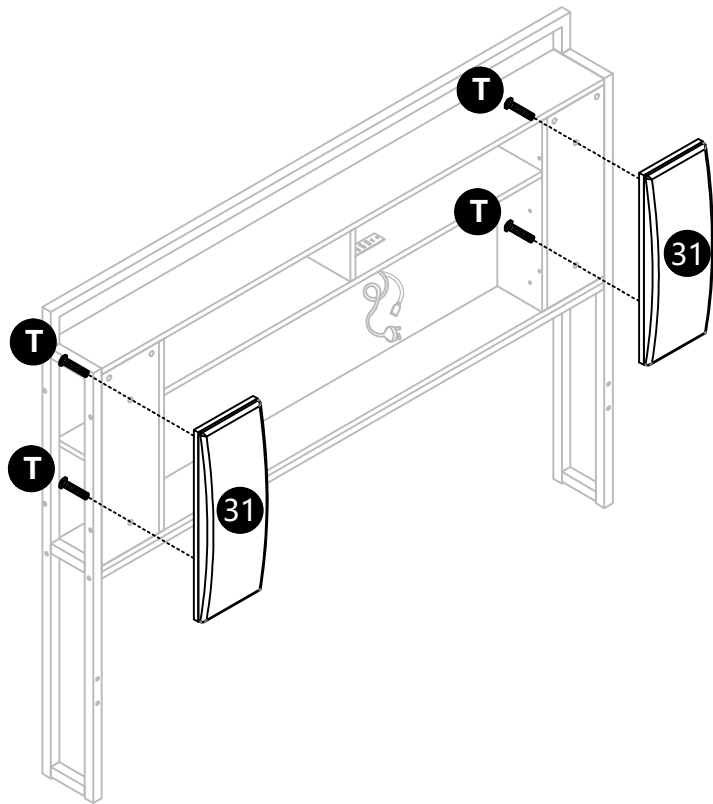
Step:17



# Montageanleitung für Stauraum-Kopfteil

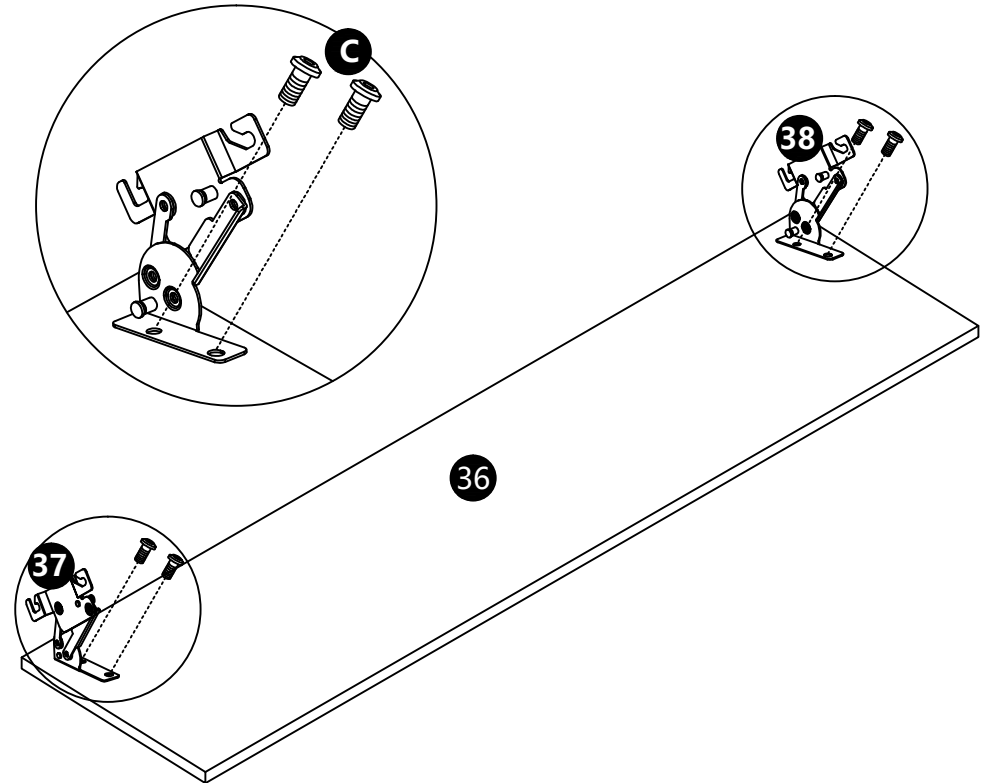
Step:18

 M8\*27 **T** X4PCS




Step:19

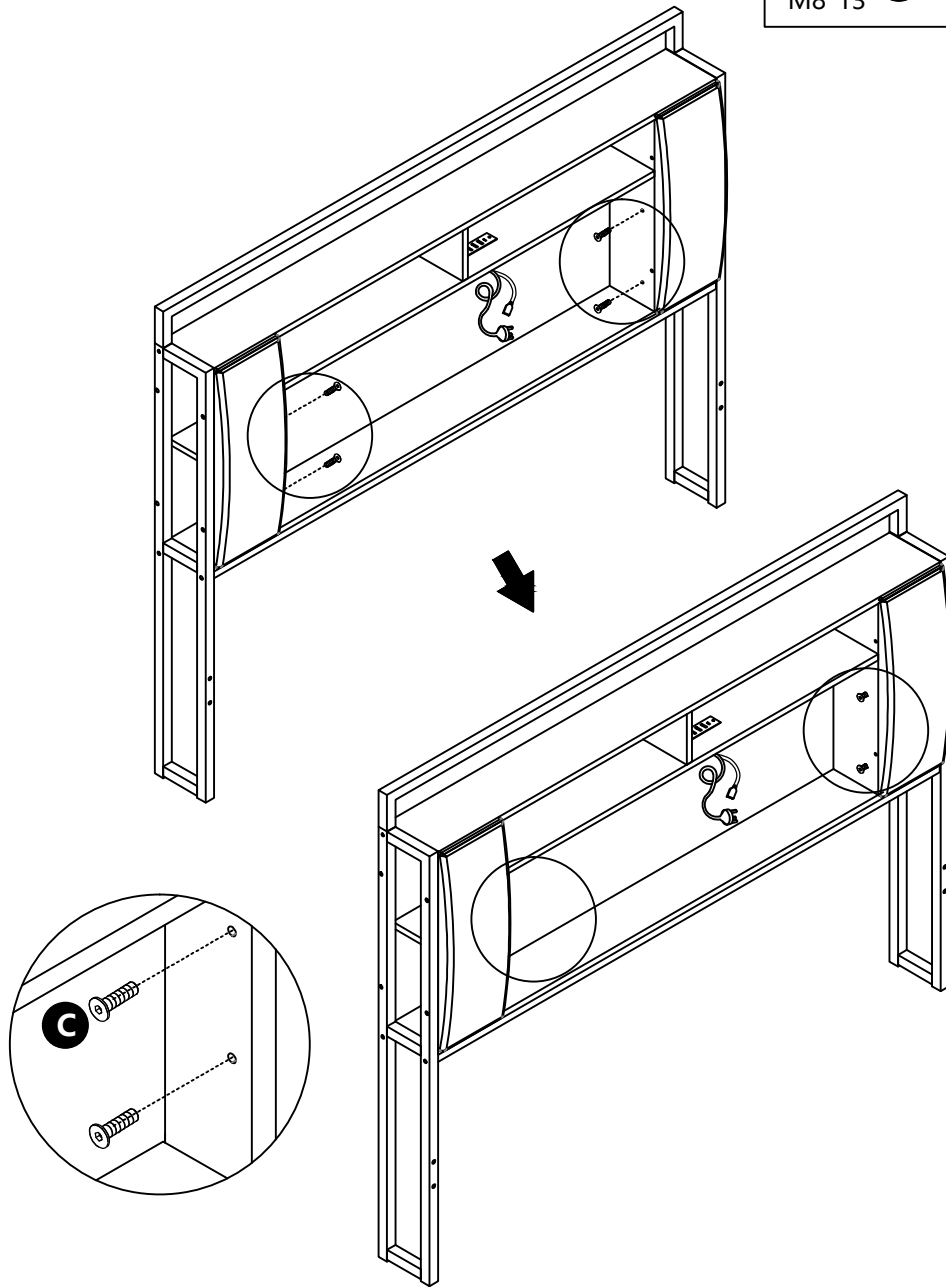
 M8\*13 **C** X4PCS



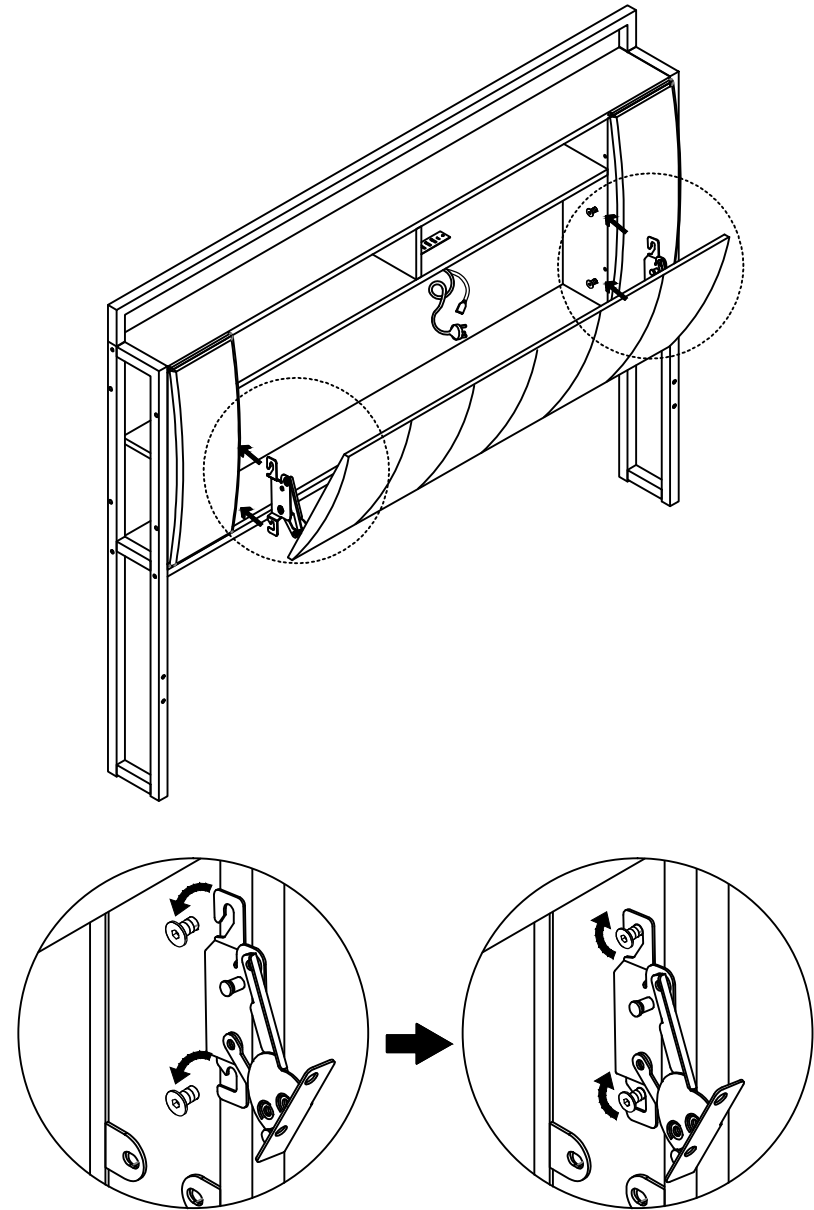
# Montageanleitung für Stauraum-Kopfteil

Step:20

M8\*13  X4PCS



Step:21



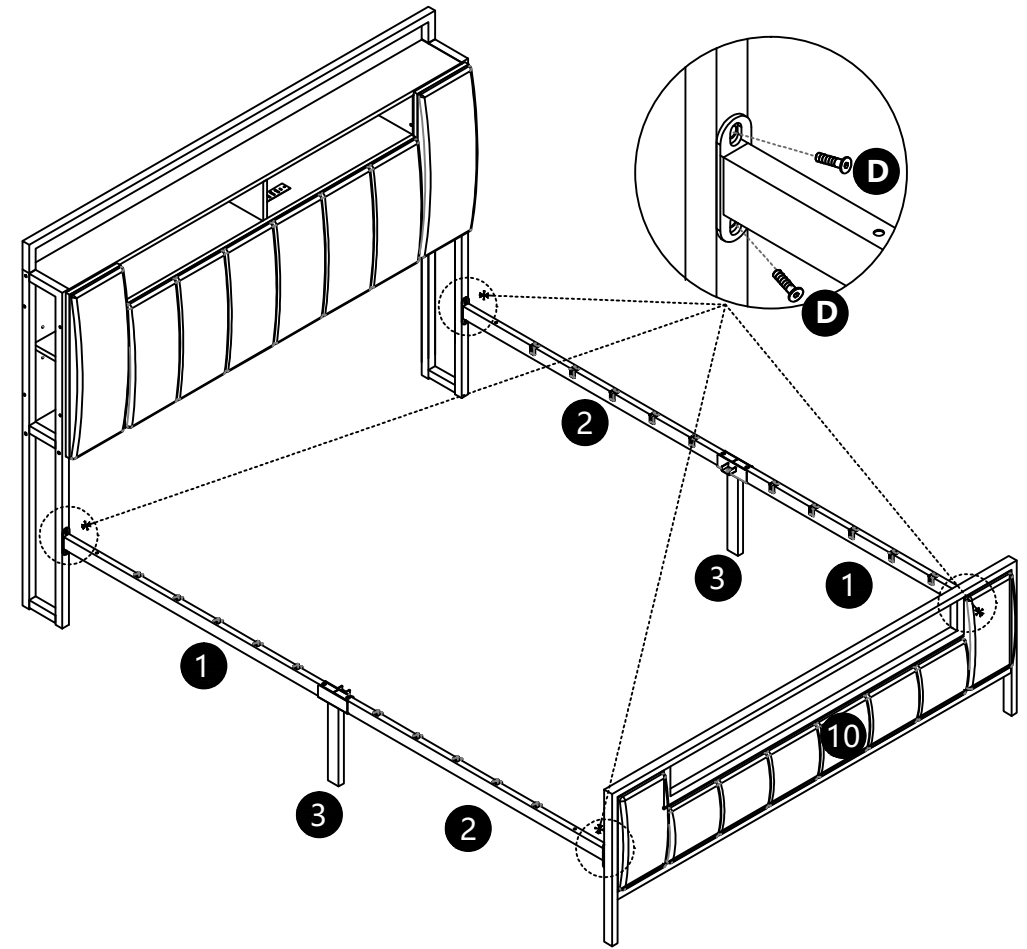
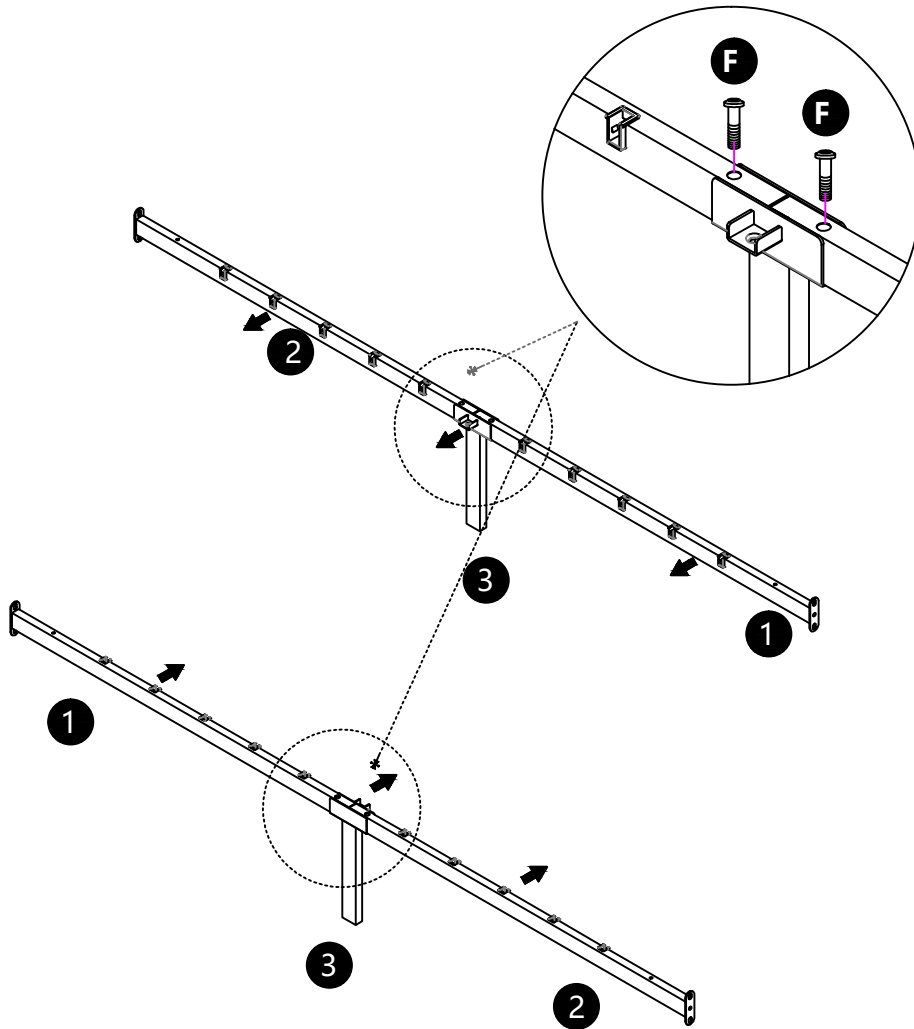
# Montageanleitung für Stauraum-Kopfteil

Step:22

 M8\*48 **F** X 4PCS

Step:23

 M8\*20 **D** X 8PCS




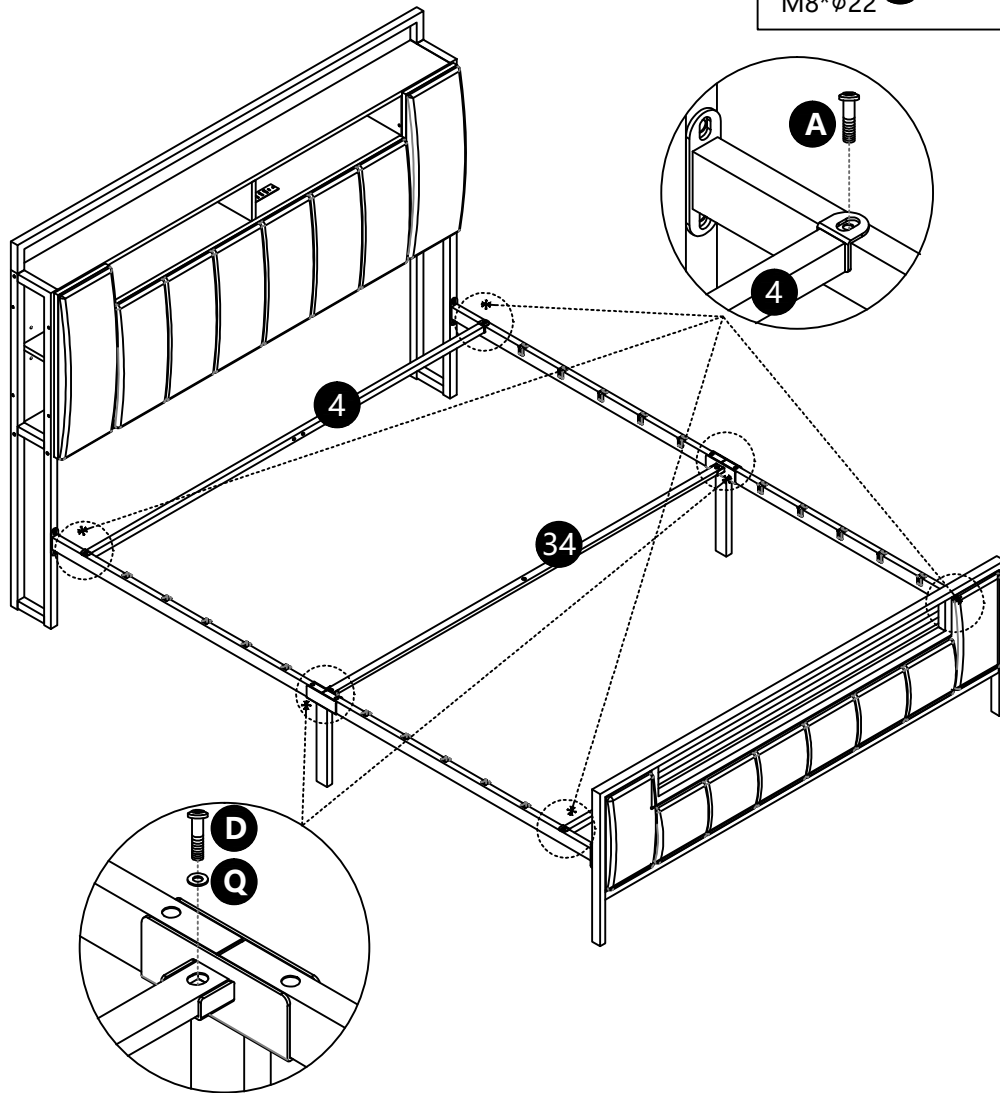
# Montageanleitung für Stauraum-Kopfteil

Step:24

 **A** X 4PCS  
M6\*15


 **D** X 2PCS  
M8\*20

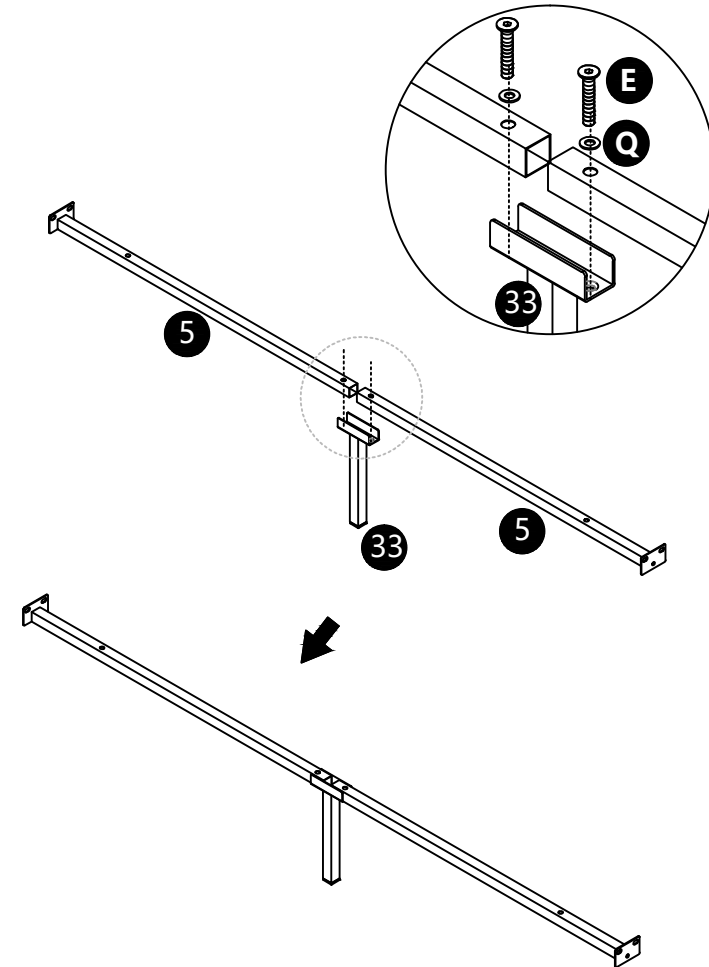
 **Q** X 2PCS  
M8\*φ22



Step:25

 **E** X 2PCS  
M8\*35

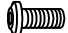



 **Q** X 2PCS  
M8\*φ22

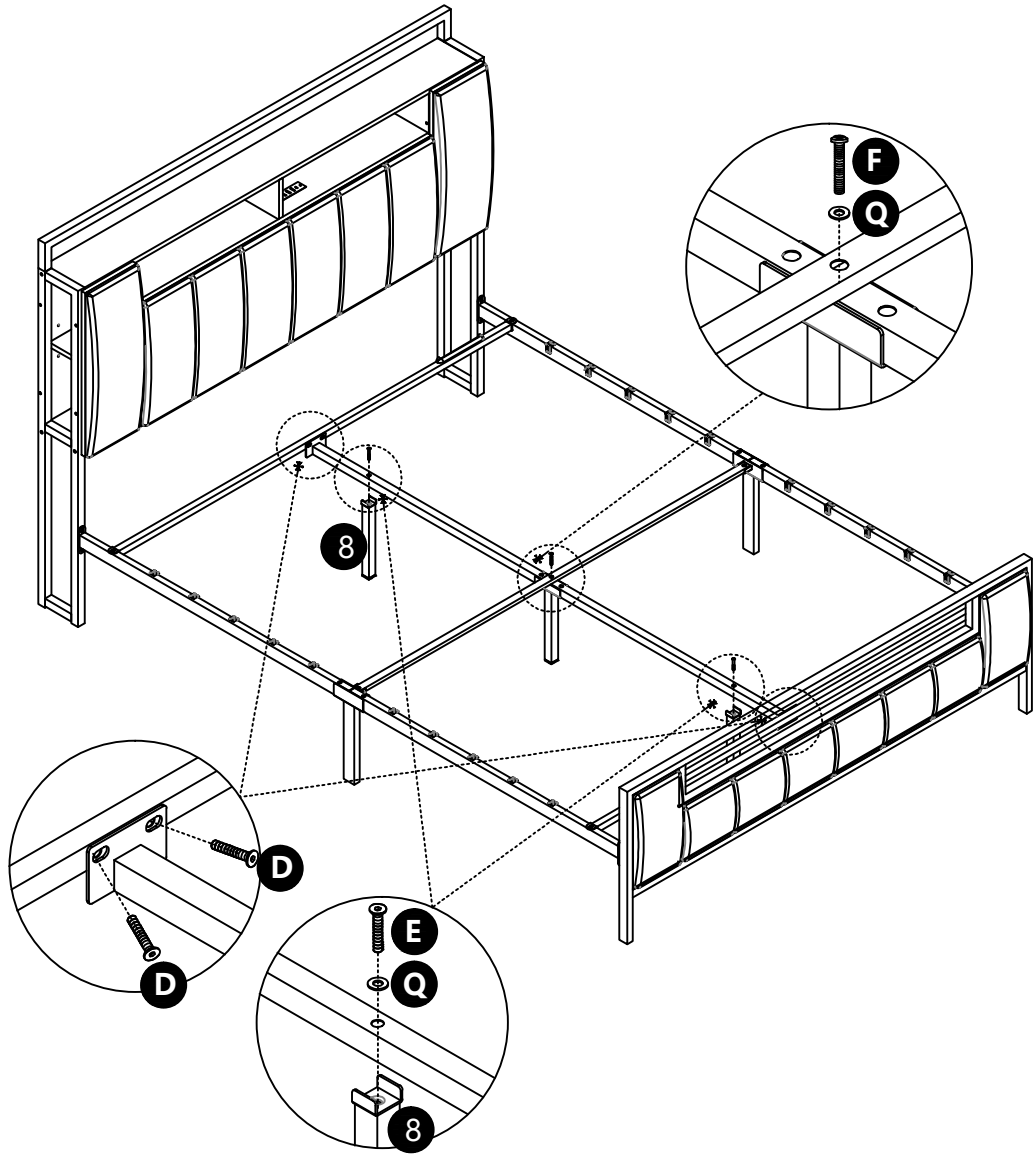




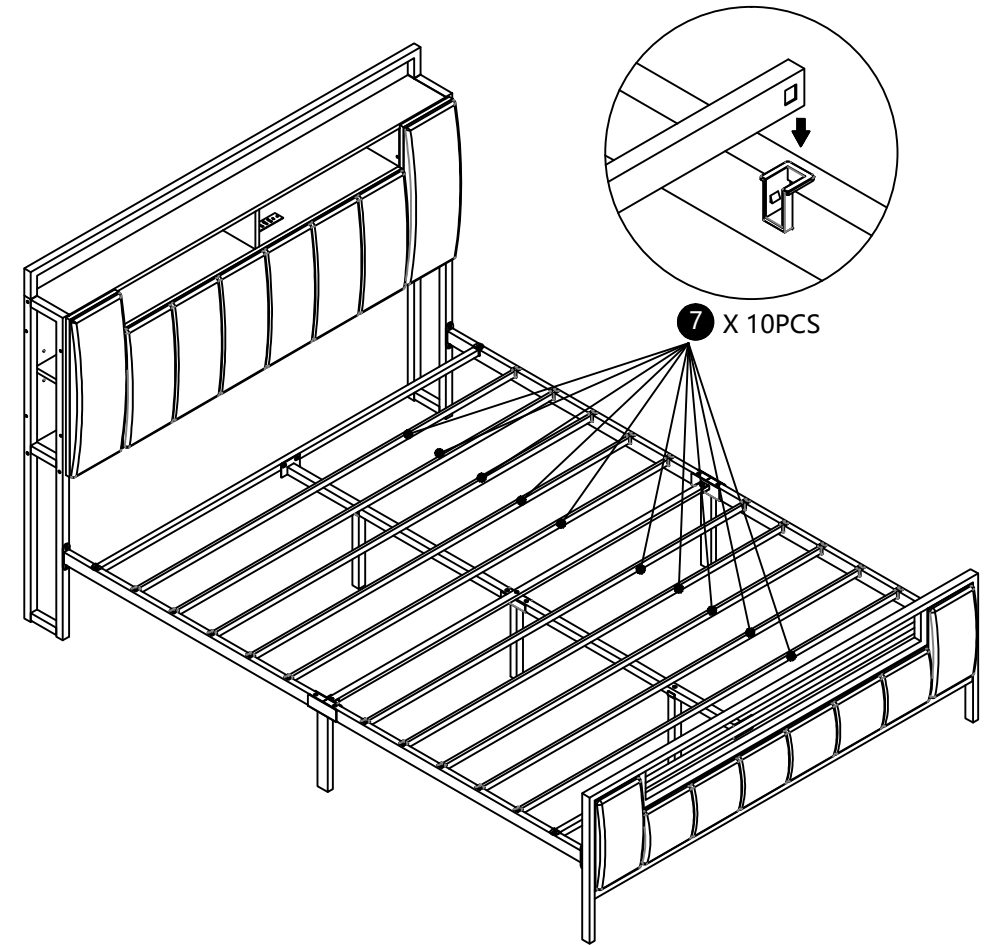
# Montageanleitung für Stauraum-Kopfteil

Step:26

 M8*20 <b>D</b> X 4PCS	 M8*35 <b>E</b> X 2PCS
 M8*φ22 <b>Q</b> X 3PCS	 M8*48 <b>F</b> X 1PC

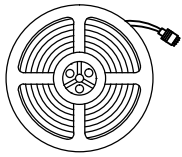


Step:27



# Montageanleitung für Stauraum-Kopfteil

Step:28



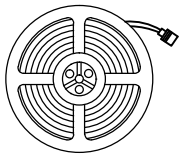
Long light bar

40 1PC



Strap magic tape

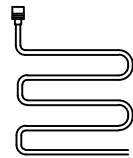
41 12PCS



Long light bar

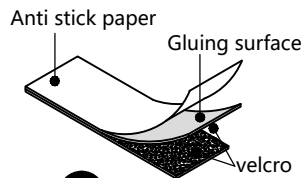
40

Pull out  
and unfold



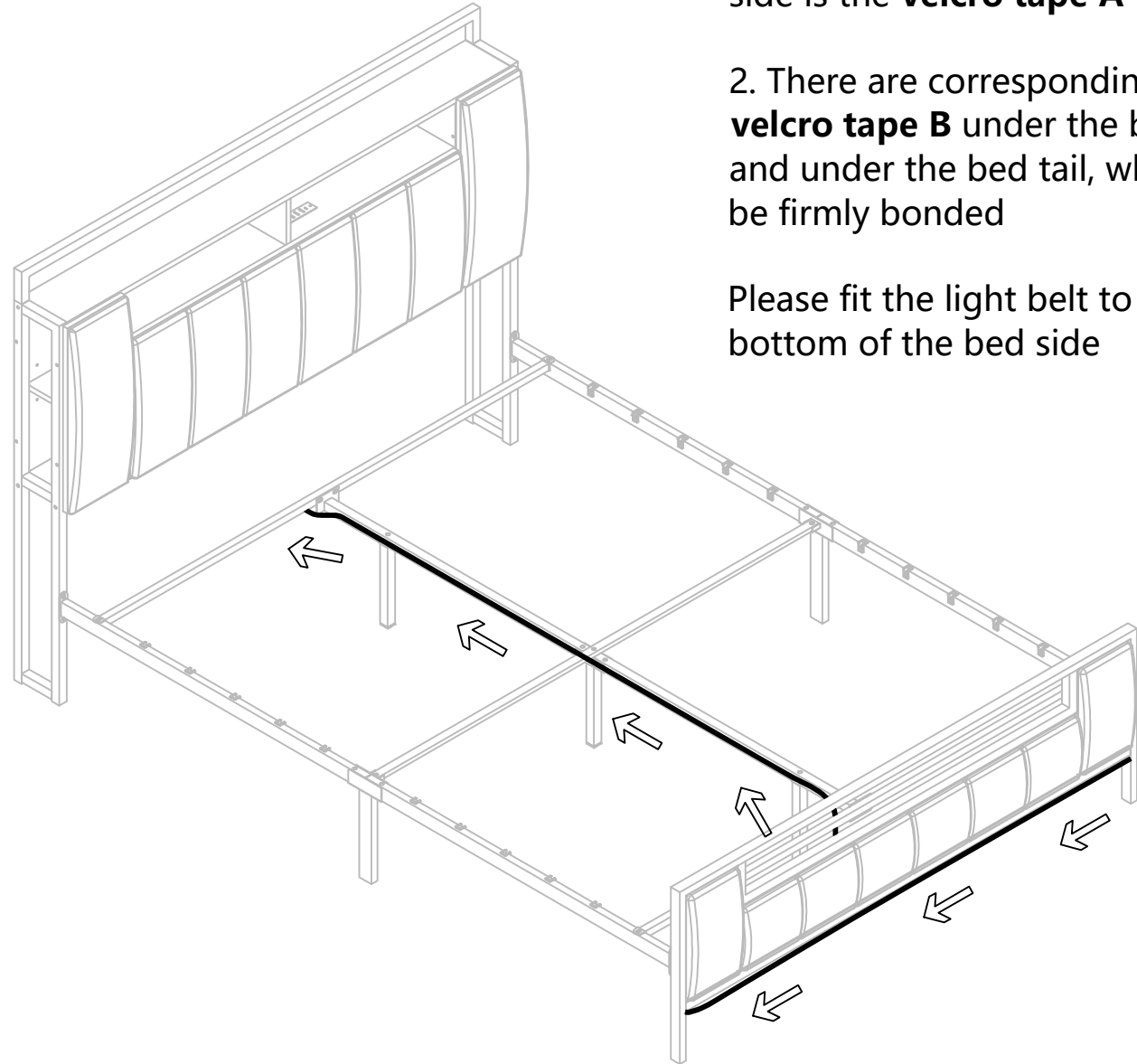
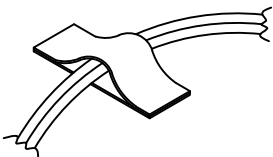
Long light bar

40



41 Strap magic tape

When the wires are disordered, tear off the anti stick paper, paste it on the place where the wires pass, and then bind the wires.



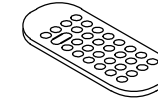
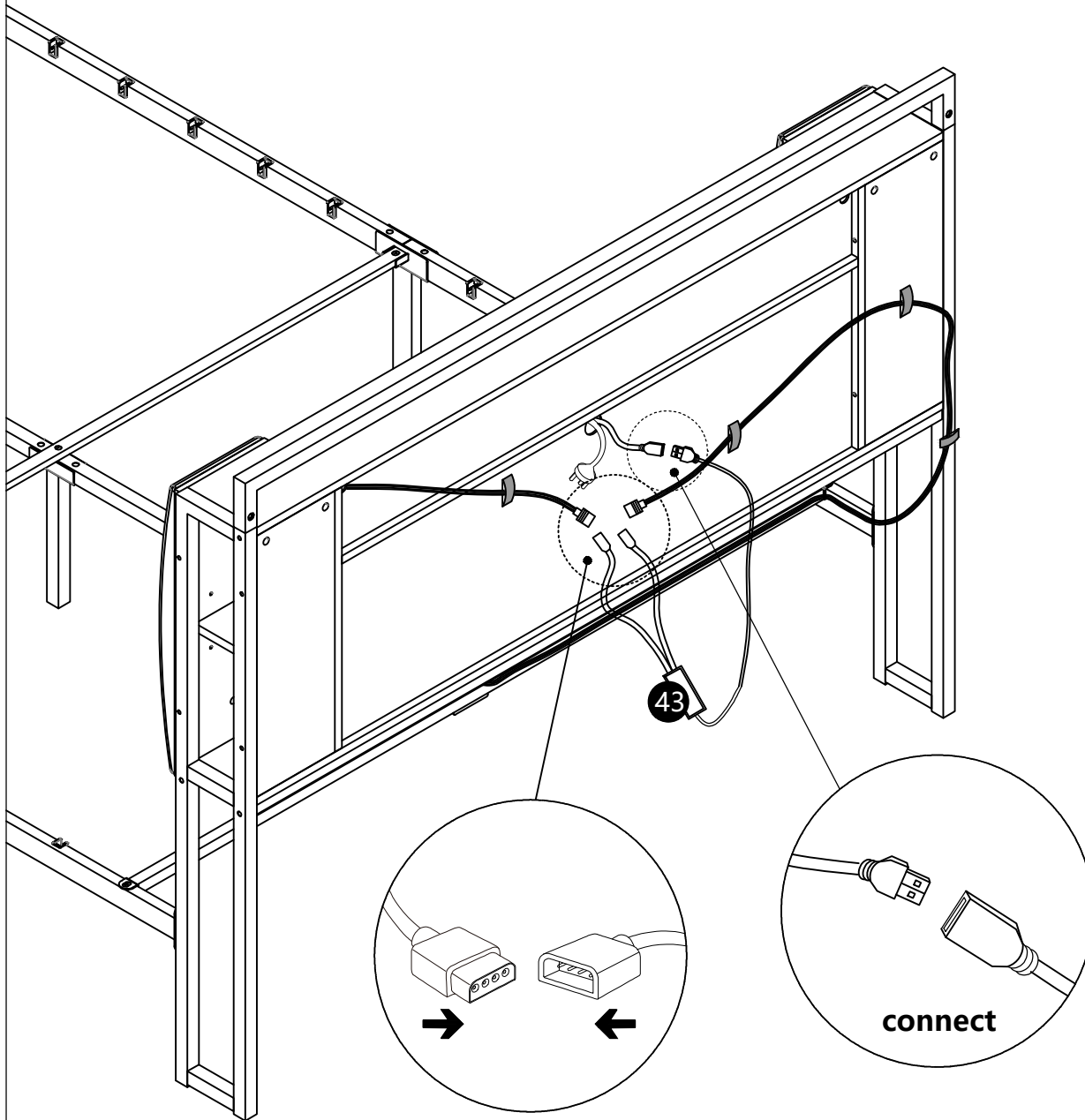
1. One side of the light bar is the luminous surface, and the other side is the **velcro tape A**

2. There are corresponding **velcro tape B** under the bed side and under the bed tail, which can be firmly bonded

Please fit the light belt to the bottom of the bed side

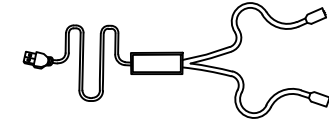
# Montageanleitung für Stauraum-Kopfteil

Step:29



Remote control

42 1PC



Power cord

43 1PC

**1. After all wires are connected, except for the large power plug that must be connected to the power supply, other wires can be folded and tied into the large magic tape on the back.**

**2.If you feel that the magic tape is not enough, you also provided adhesive Velcro stickers, but they cannot be used on the cloth surface. Can be used behind the bedside cabinet**