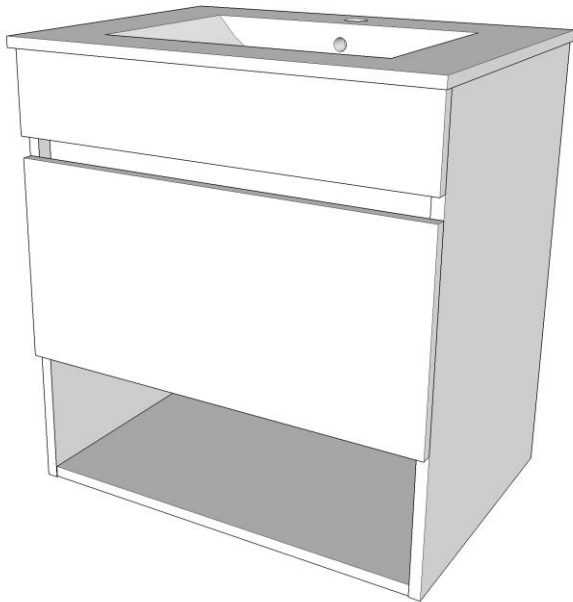
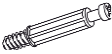


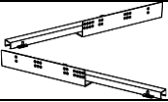

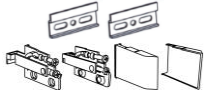



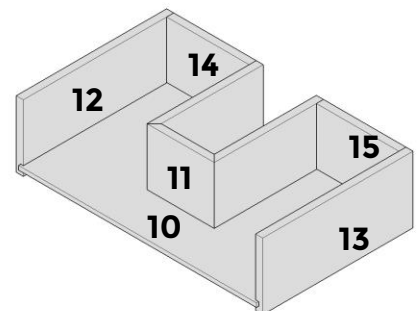
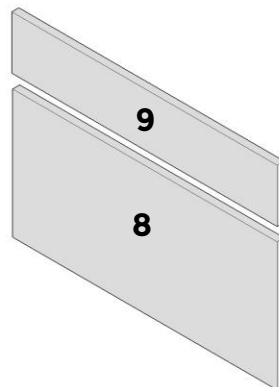
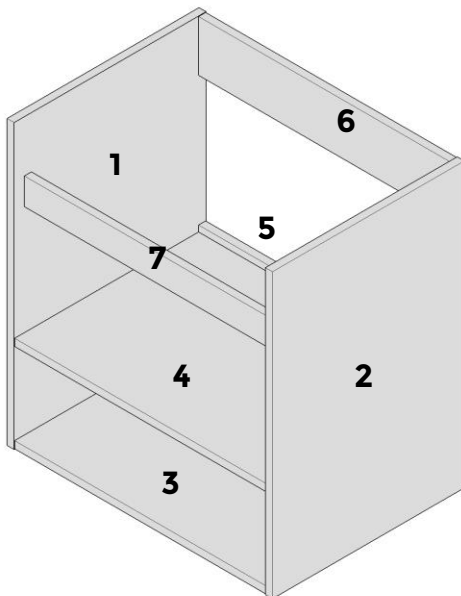


SMART

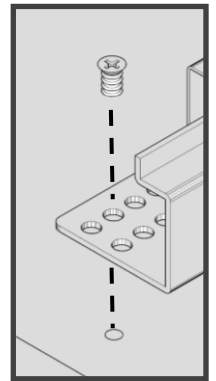
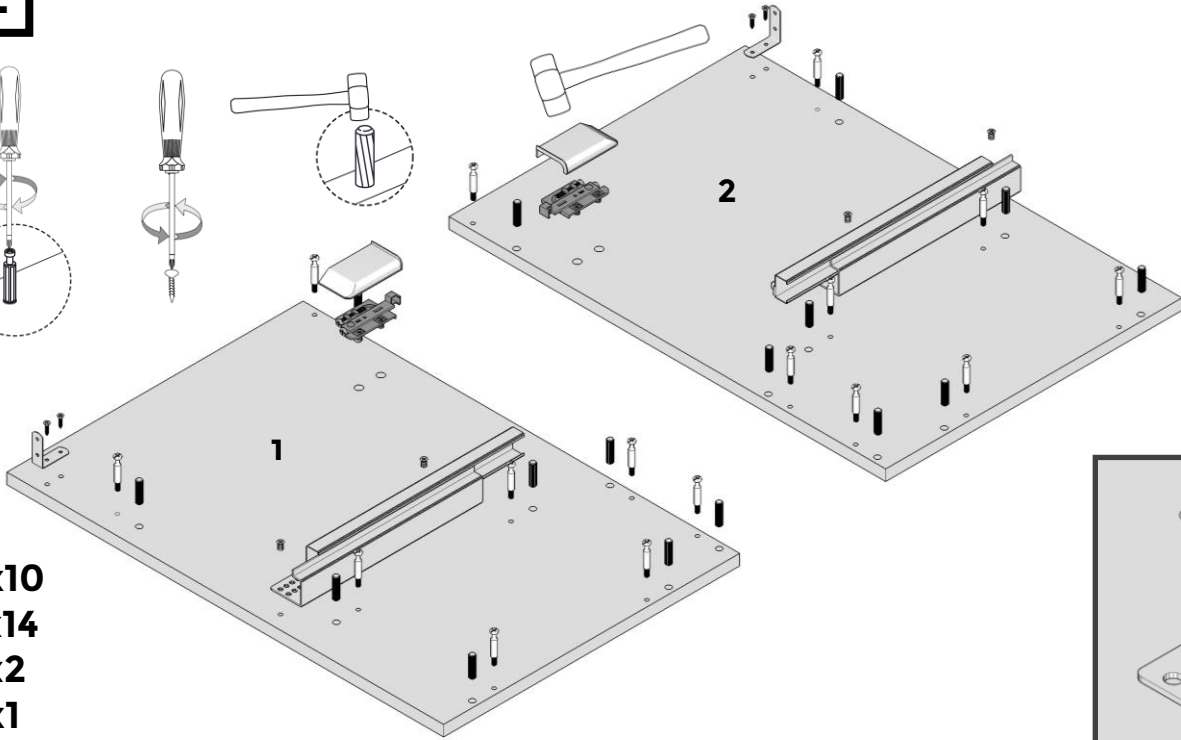
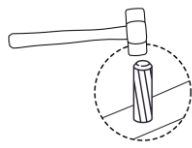
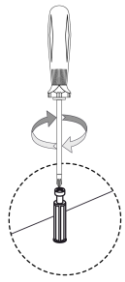


| | | |
|---|---------------------------------------------------------------------------------------|------|
| A |  | x 22 |
| B |  | X 28 |
| C |  | X 2 |
| D |  | X 1 |
| E |  | X 4 |
| F |  | X 1 |
| G |  | X 8 |
| H |  | X 6 |
| I |  | X 18 |

1



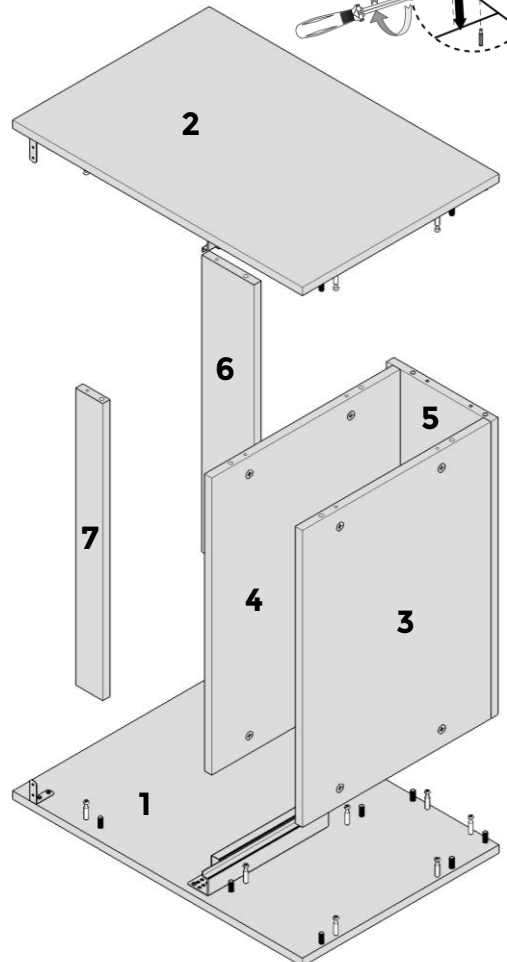
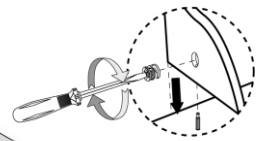
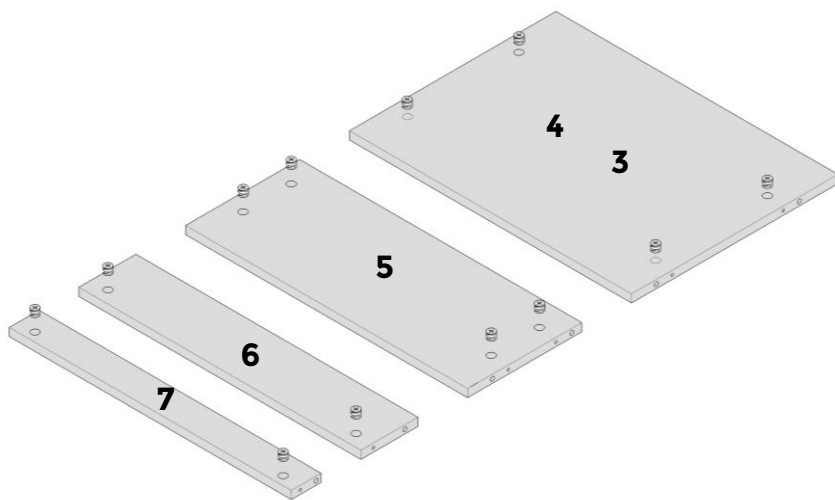
2



Ax10
Bx14
Cx2
Dx1
Ex4
Fx1
Gx4

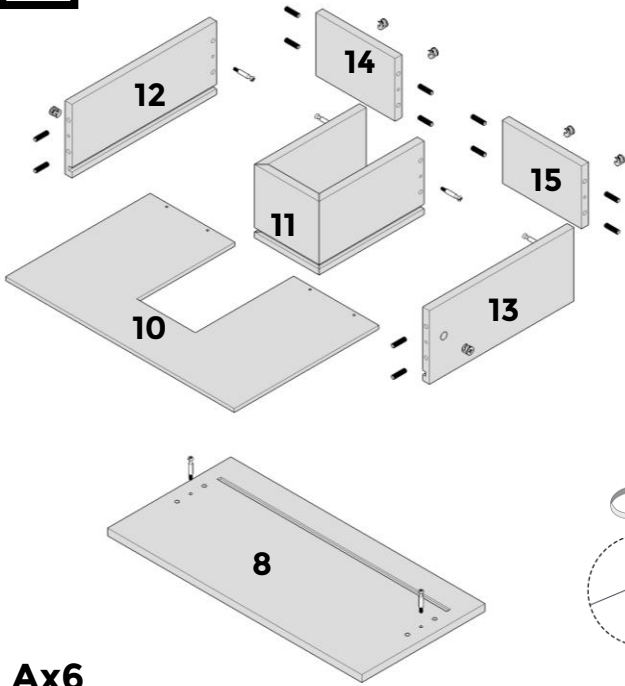
3

4



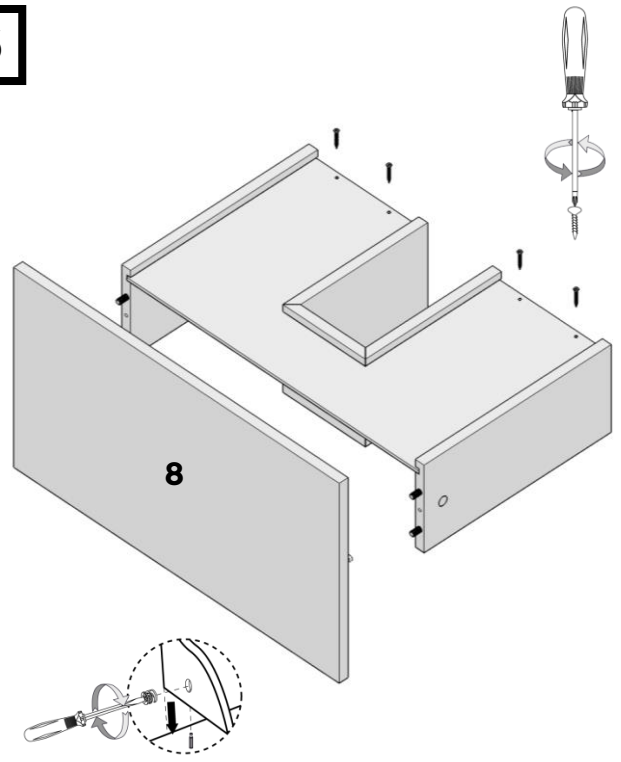
Ix16

5



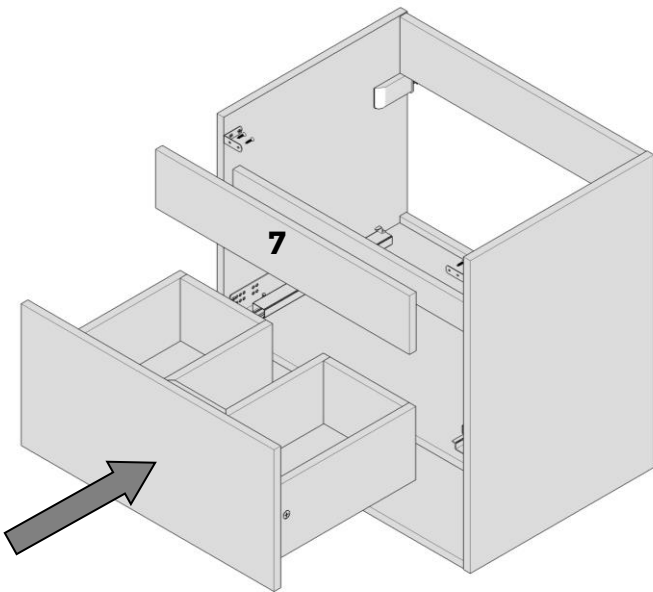
**Ax6
Bx12
Ix2**

6

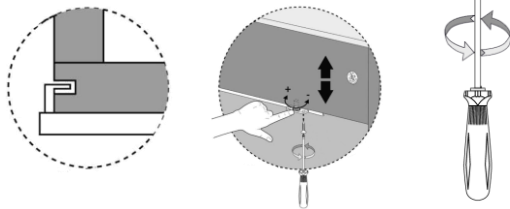


Hx4

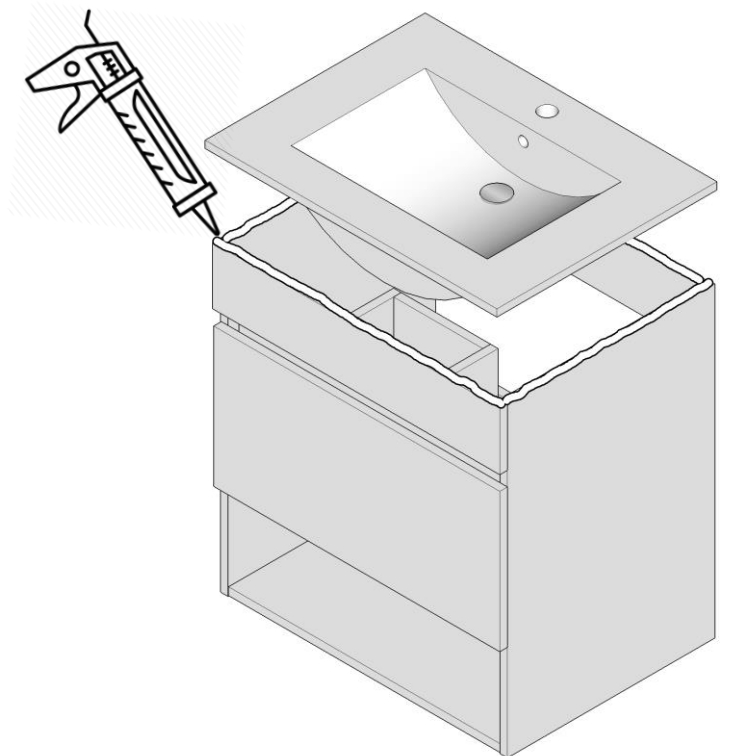
7



**Gx4
Hx2**



8



9

