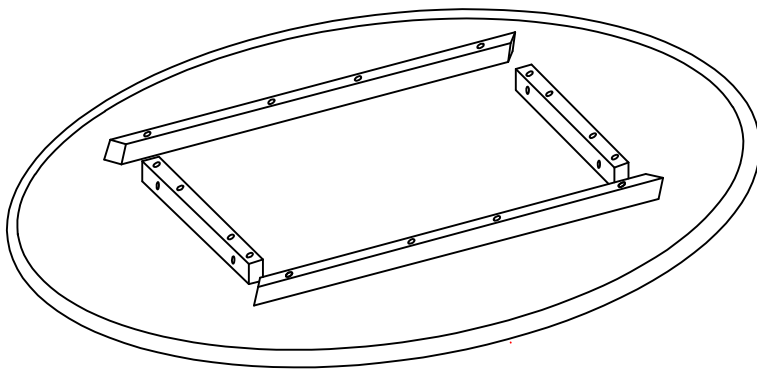


1



2 x 2

