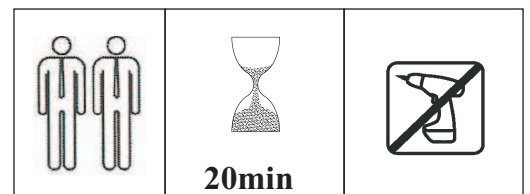
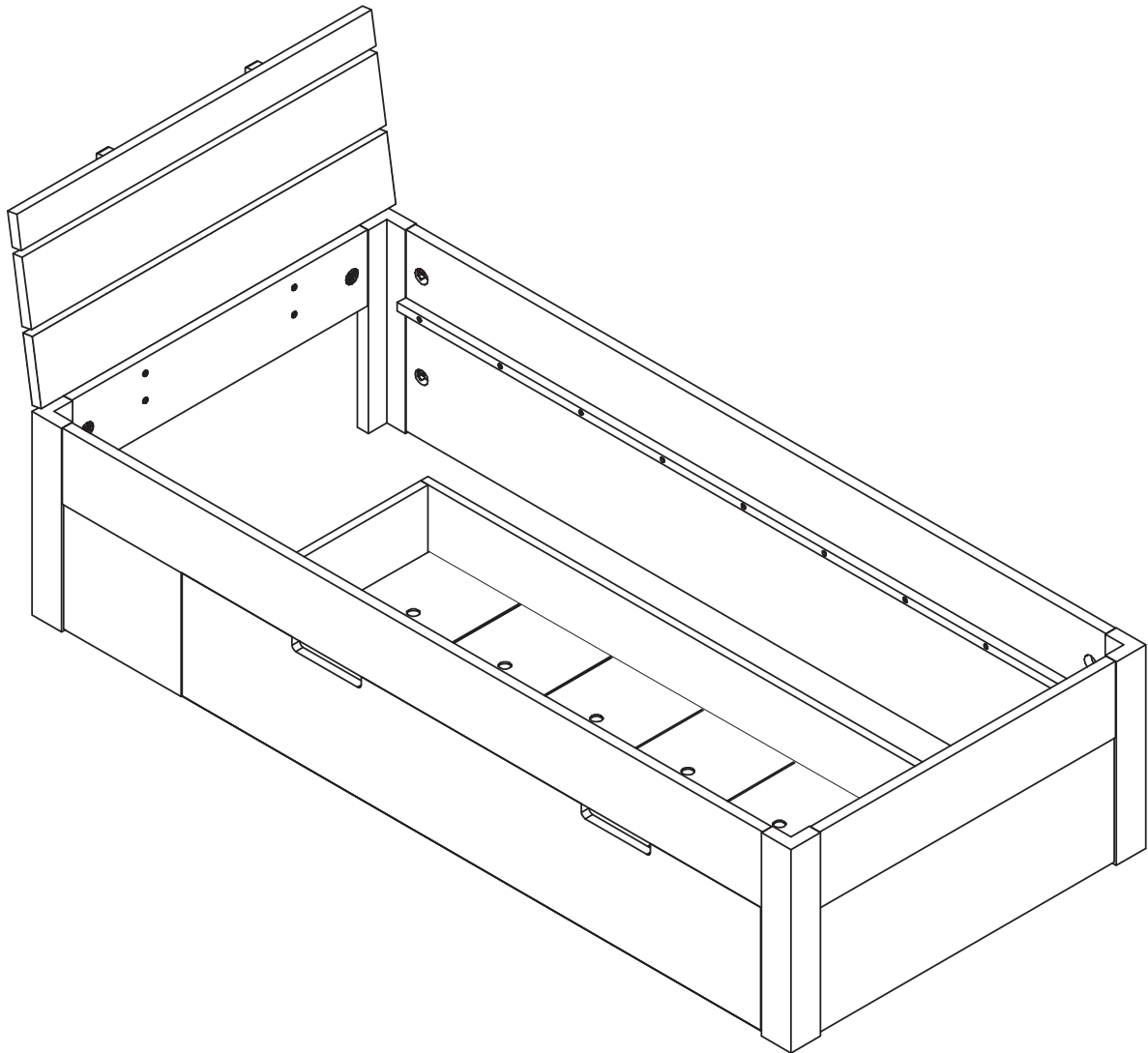
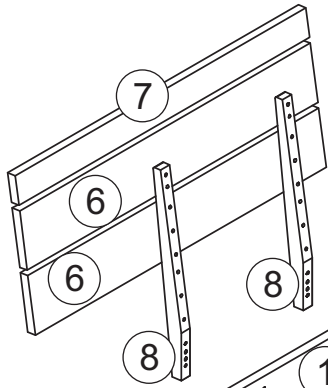


# MONTAGEANLEITUNG

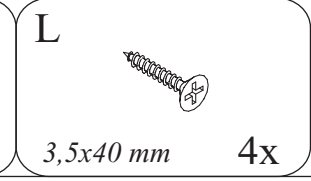
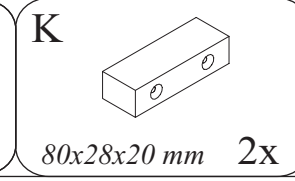
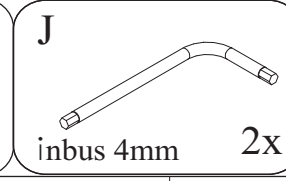
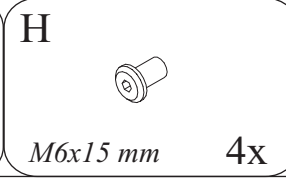
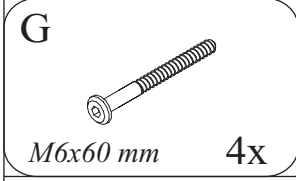
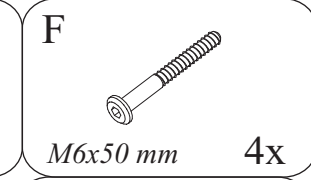
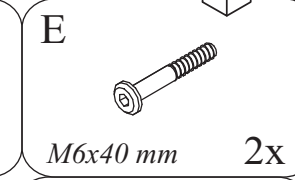
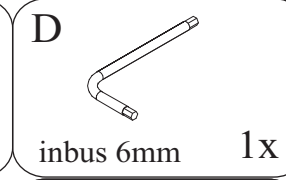
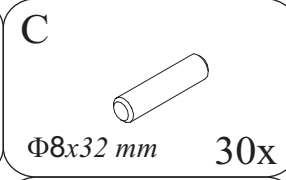
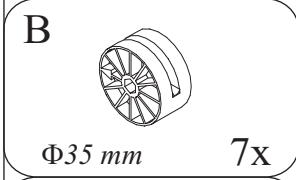
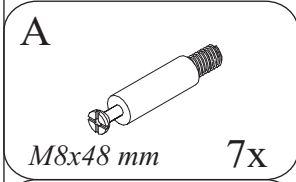
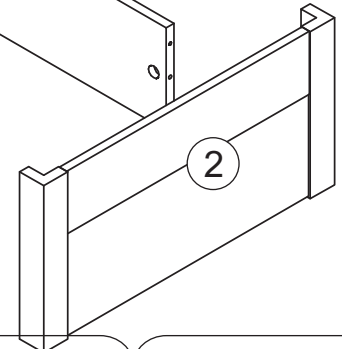
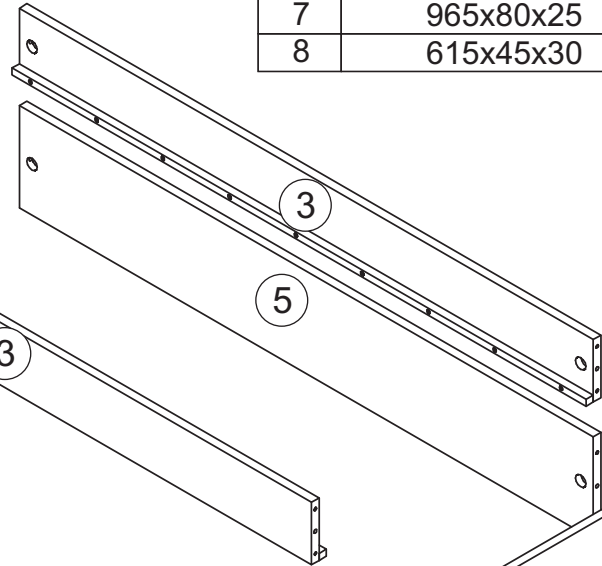
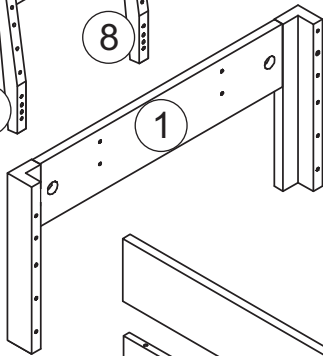
## Bett "EMA" V3

90x200



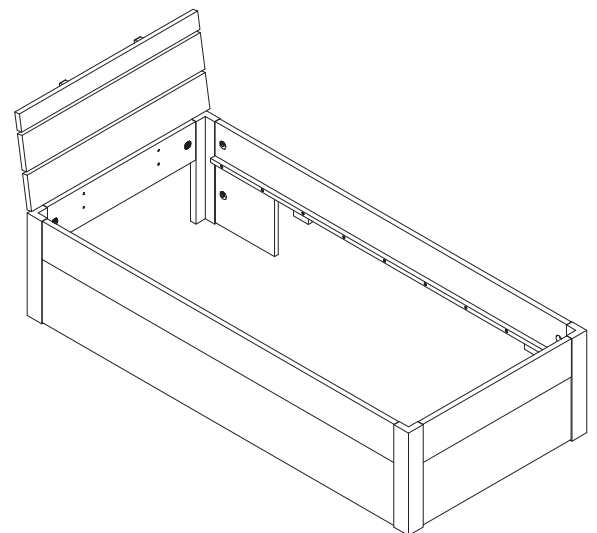
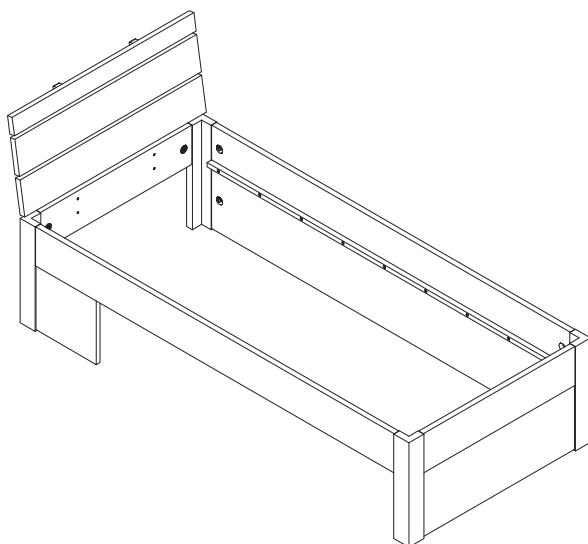


Pos.	Maße	Stck.	Coll
1	965x480x80	1	1/2
2	965x480x80	1	1/2
3	1905x160x25	2	2/2
4	320x295x20	1	1/2
5	1905x295x20	1	2/2
6	965x160x25	2	1/2
7	965x80x25	1	1/2
8	615x45x30	2	1/2

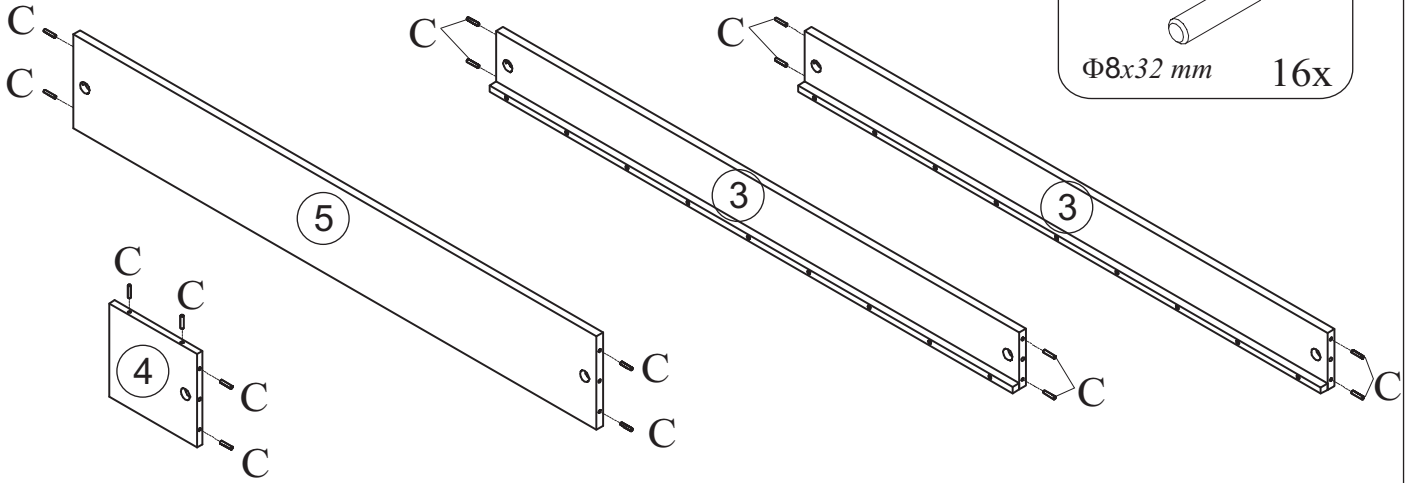


**OPTION - A**

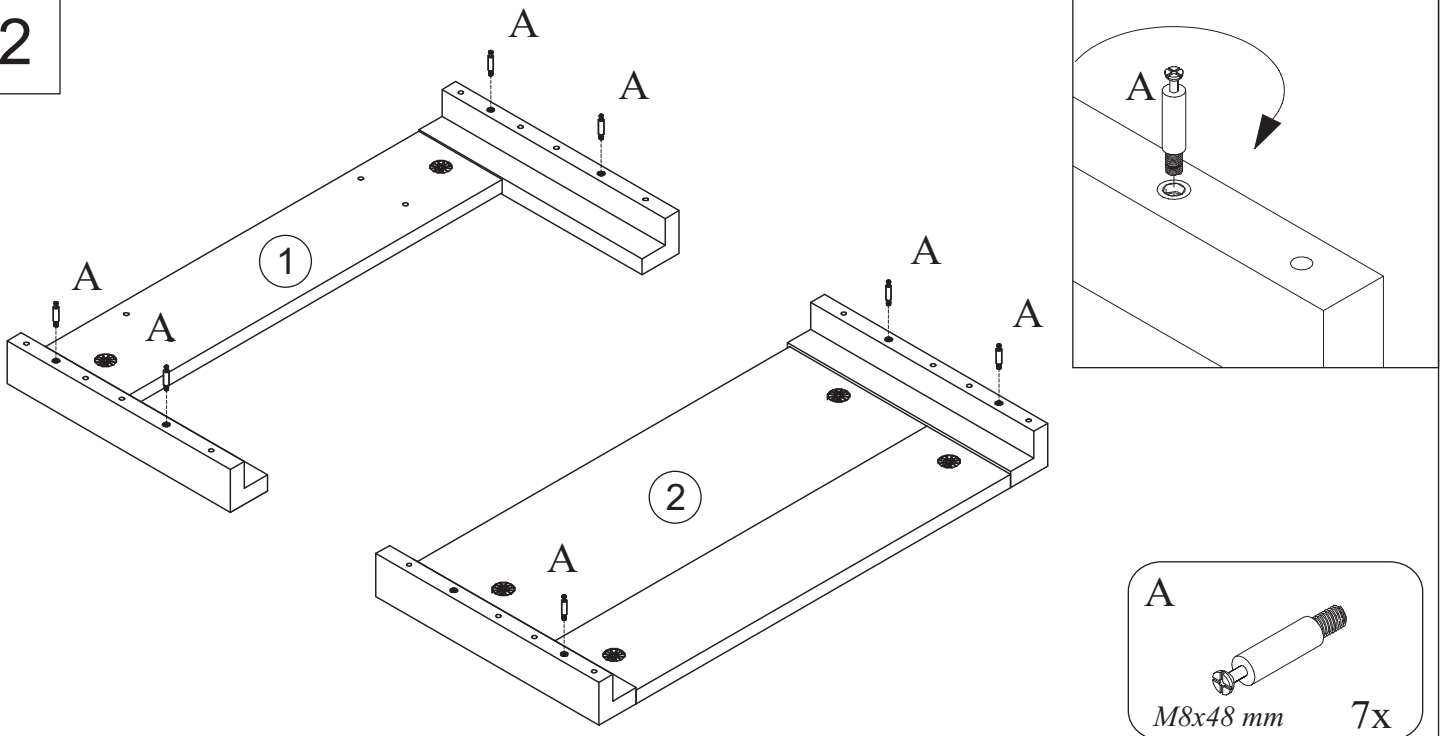
**OPTION - B**



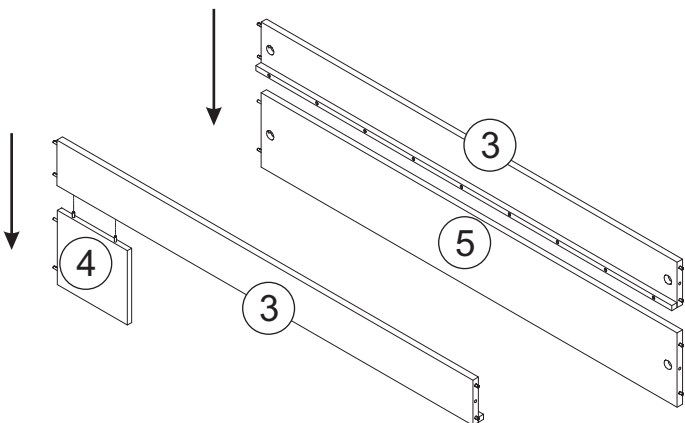
1



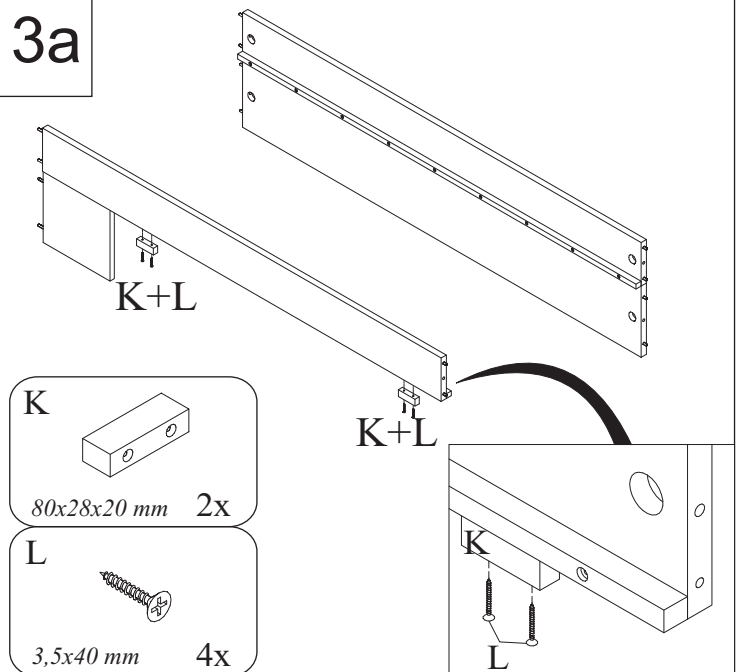
2



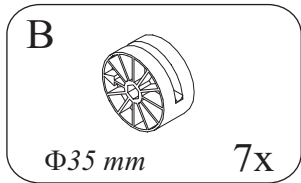
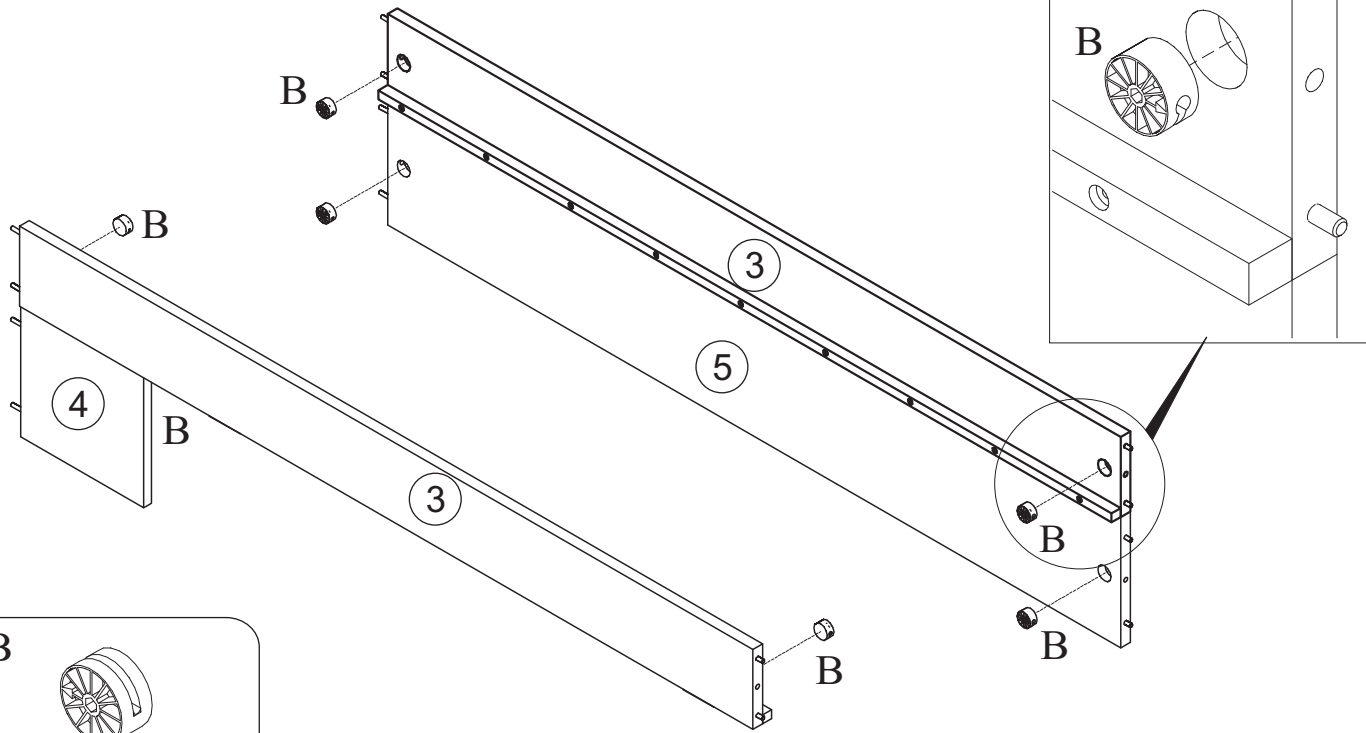
3



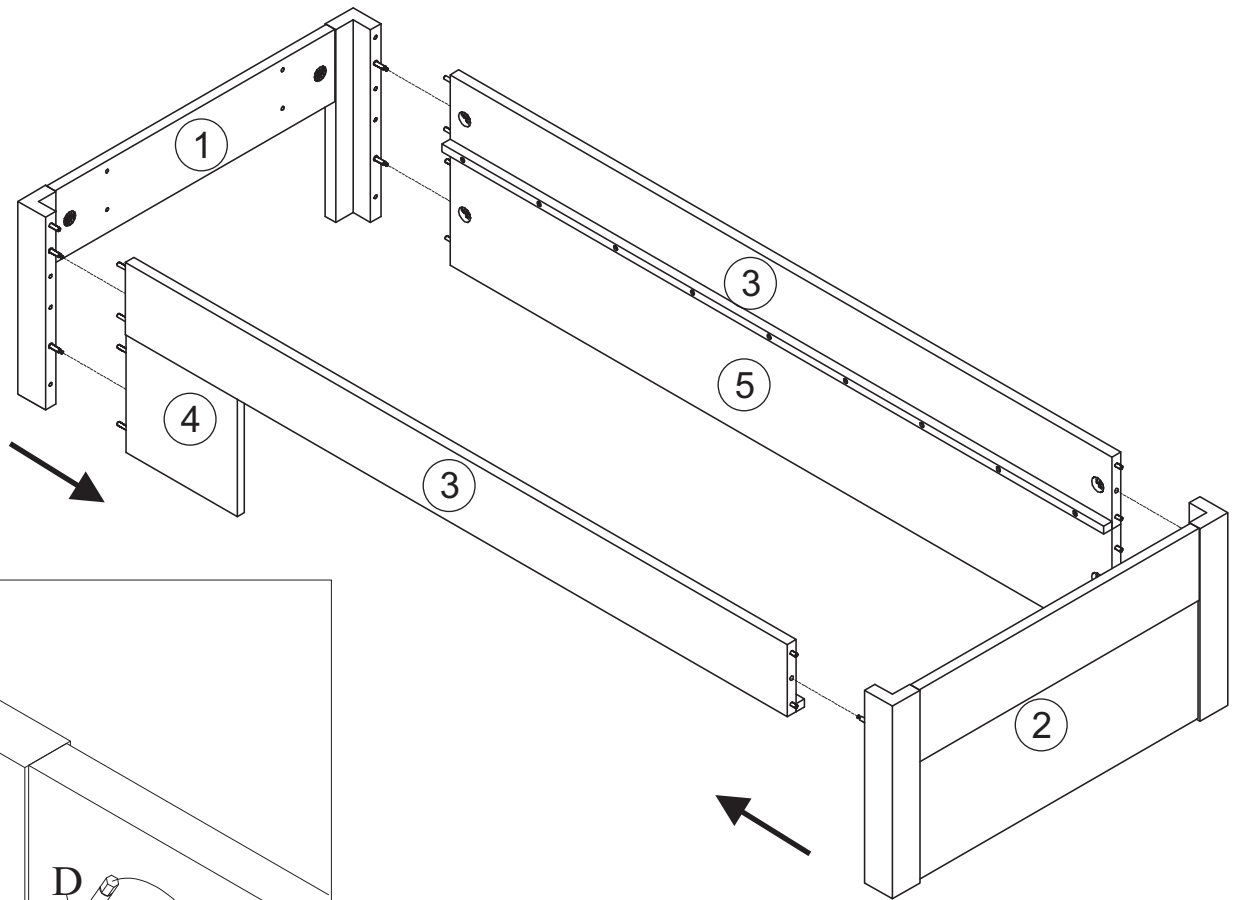
3a



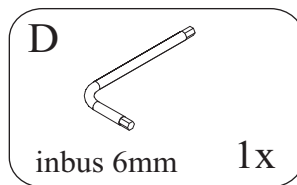
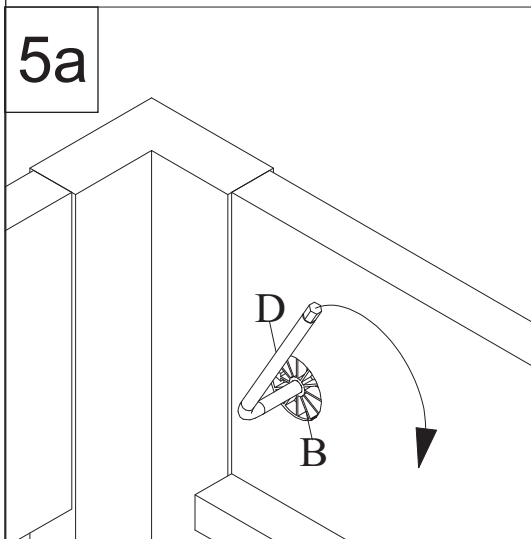
4



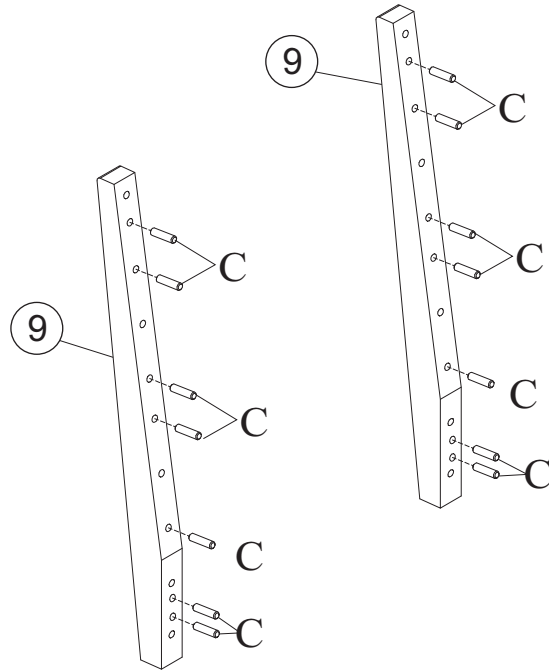
5



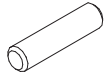
5a



6

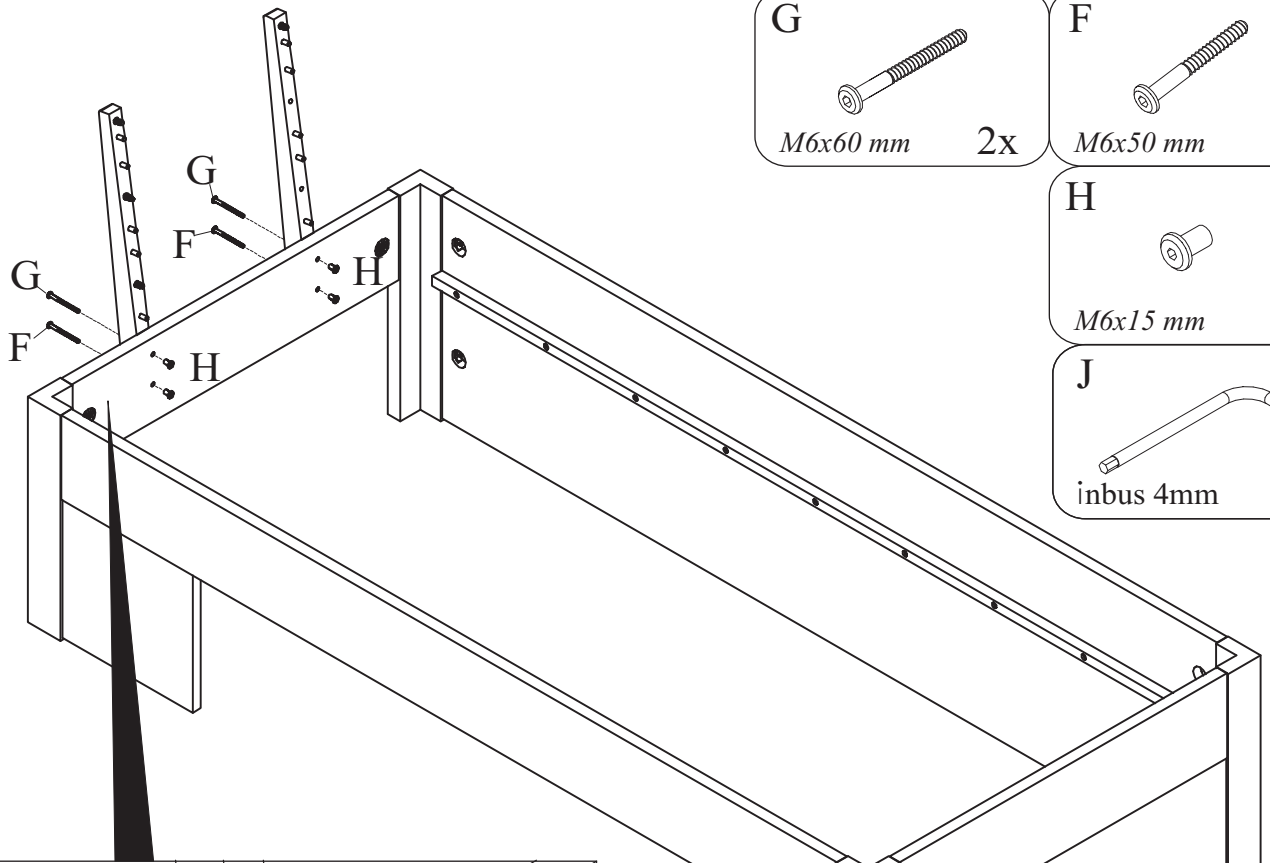


**C**

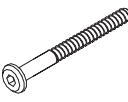


$\Phi 8 \times 32 \text{ mm}$  14x

7




**G**




M6x60 mm 2x

**F**



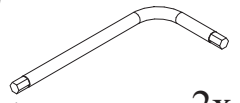
M6x50 mm 2x

**H**

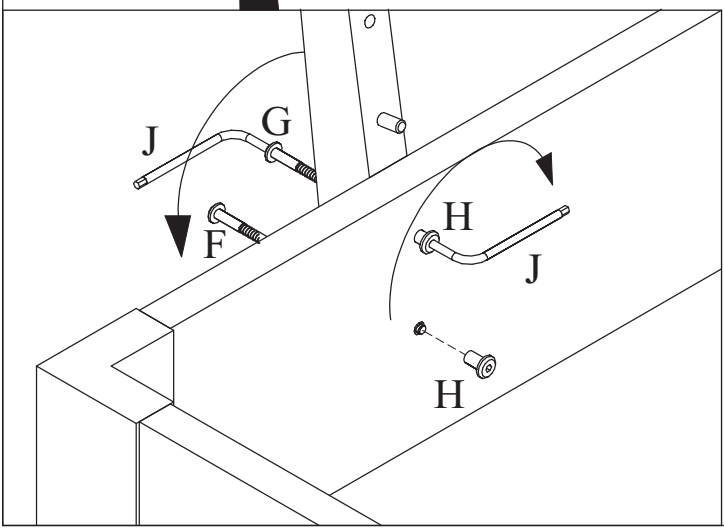


M6x15 mm 4x

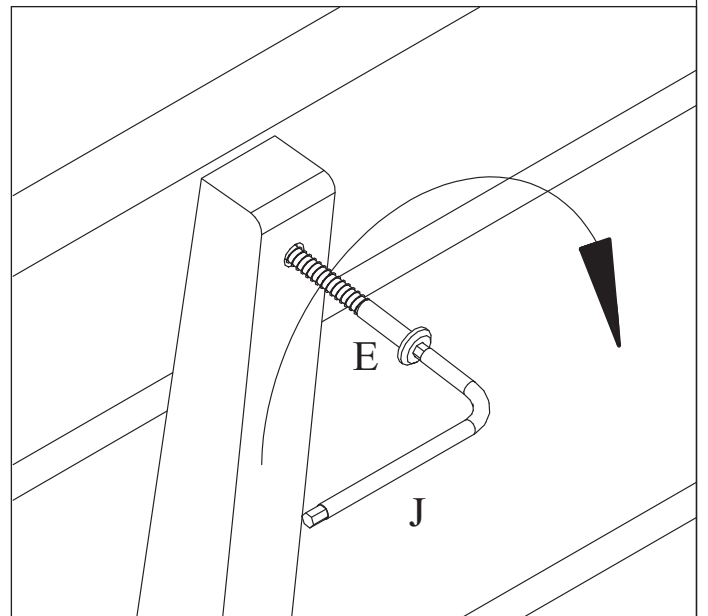
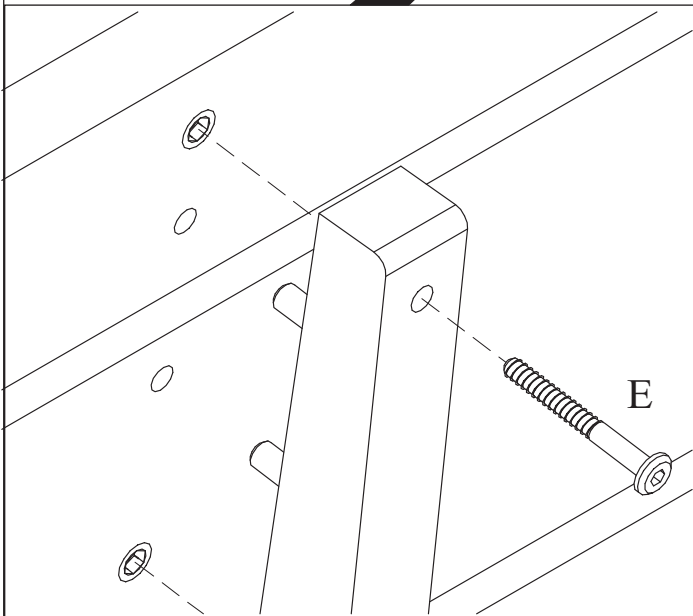
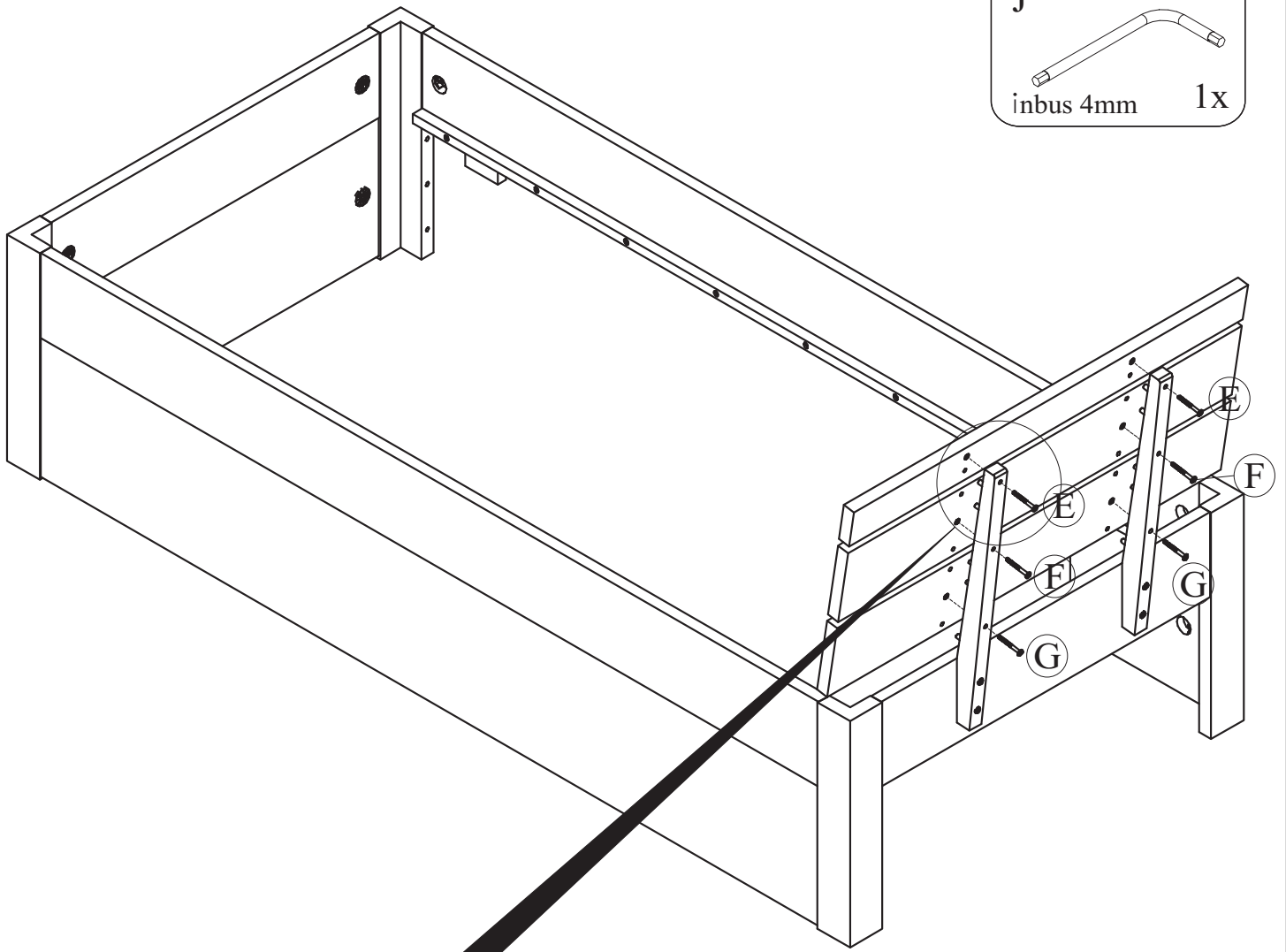
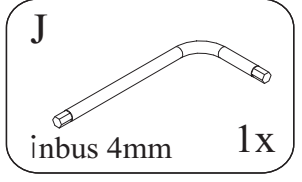
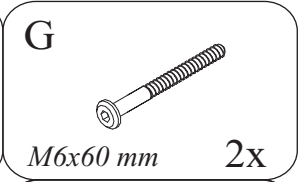
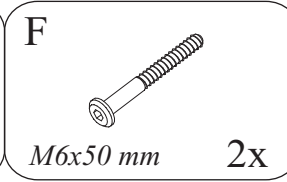
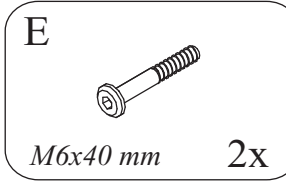
**J**



inbus 4mm 2x



8



10

