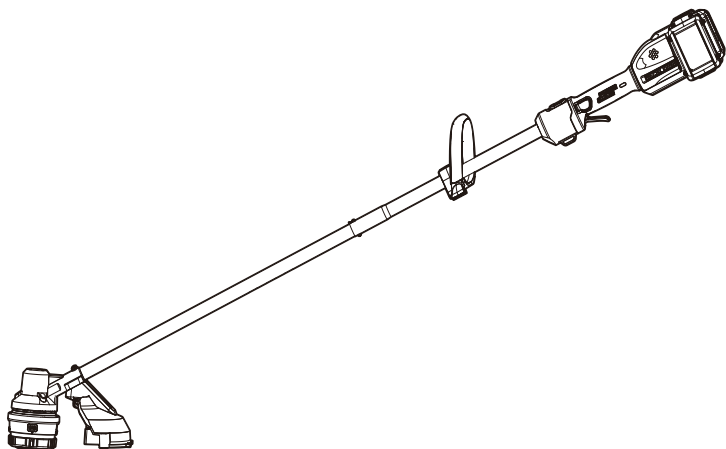


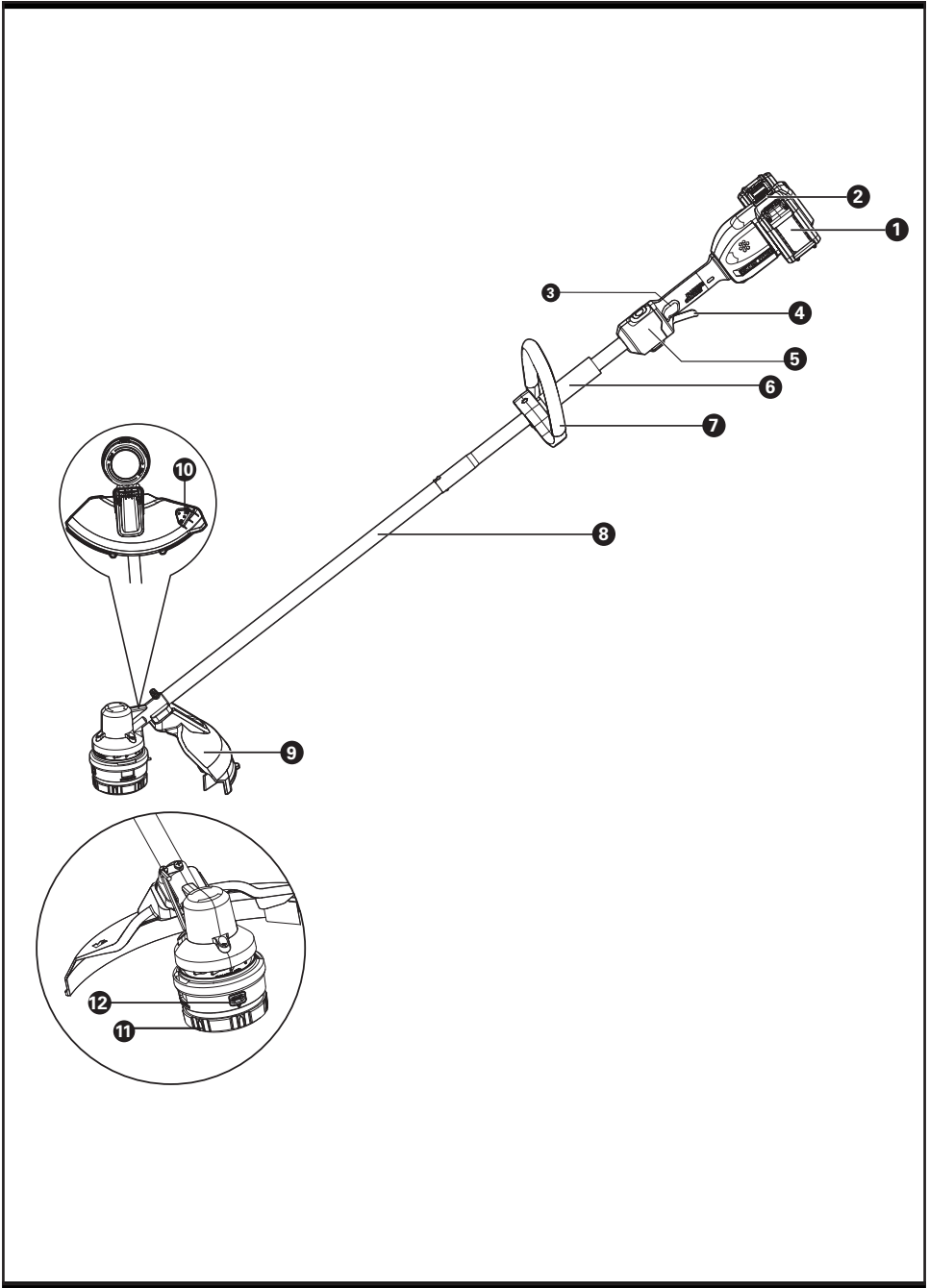
WORX NITRO

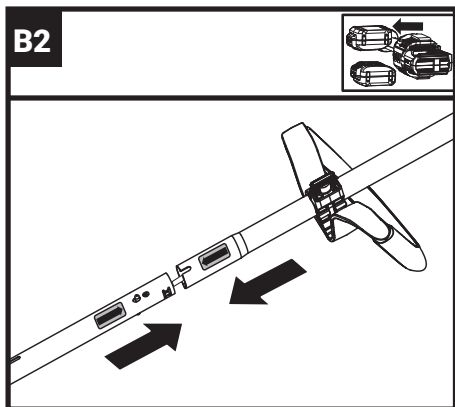
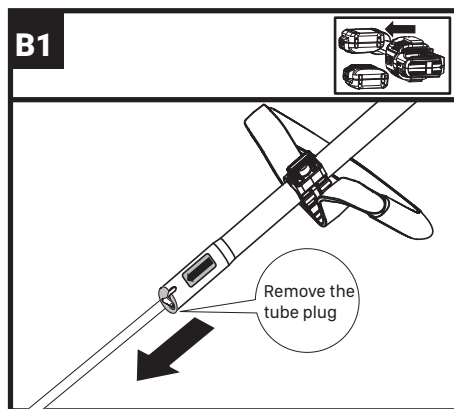
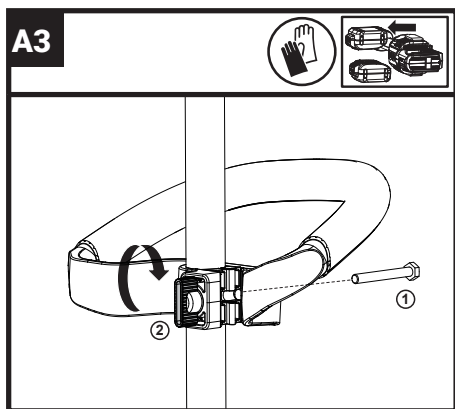
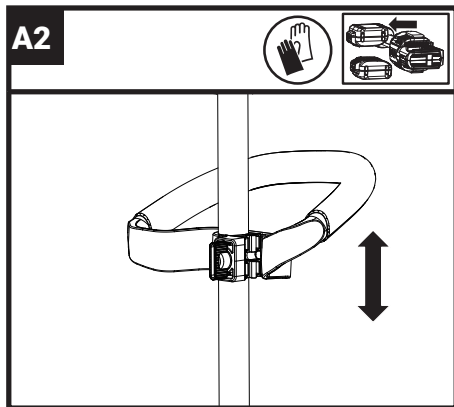
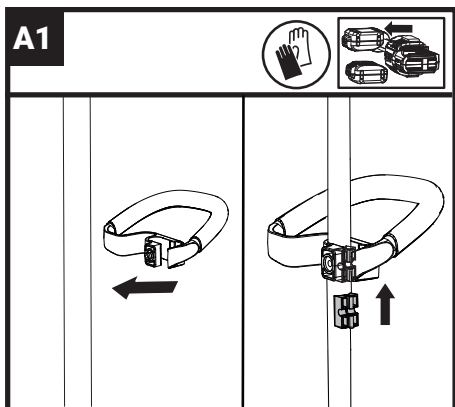


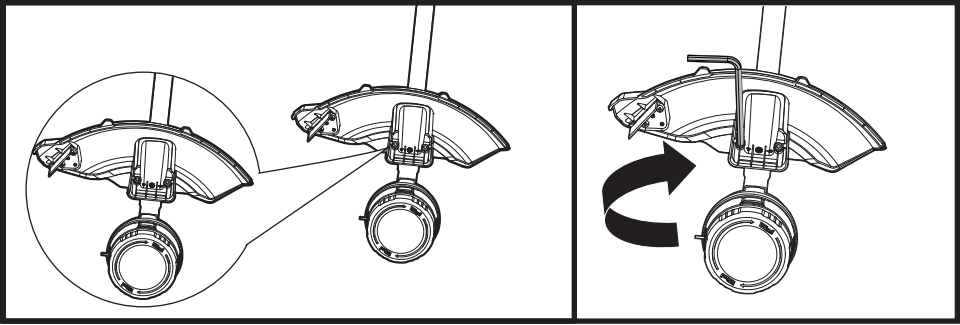
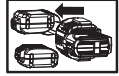
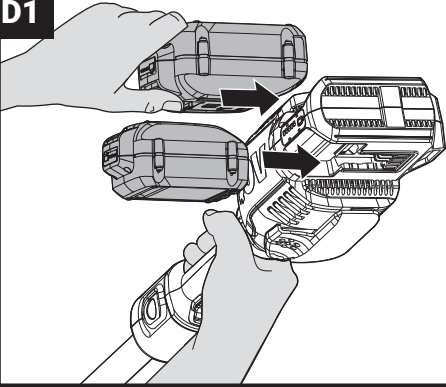
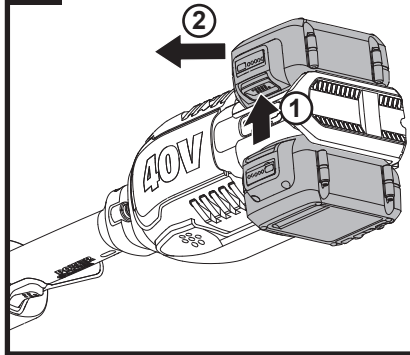
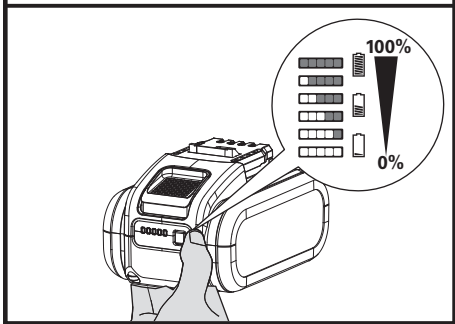
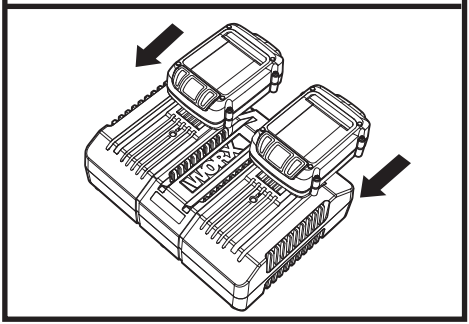
Cordless Grass Trimmer	EN	P08
Akku Rasentrimmer	D	P16
Coupe-bordure sans fil	F	P26
Decespugliatore senza fili	I	P35
Cortacésped sin cable	ES	P44
Aparador de relva sem fios	PT	P53
Draadloze grastrimmer	NL	P62
Batteridrevet kantklipper	DK	P71
Trådløs gresstrimmer	NOR	P79
Sladdlös grästrimmer	SV	P87
Bezprzewodowa podkaszarka do trawy	PL	P95
Ασύρματο χορτοκοπτικό	GR	P104
Akkumulátoros szegélynyíró	HU	P115
Maşină de tuns iarba fără fir	RO	P124
Bezdrátová strunová sekačka na trávu	CZ	P133
Akumulátorová kosačka na trávu	SK	P142
Brezžični rezalnik za travo	SL	P151
Акумуляторный триммер	RU	P160

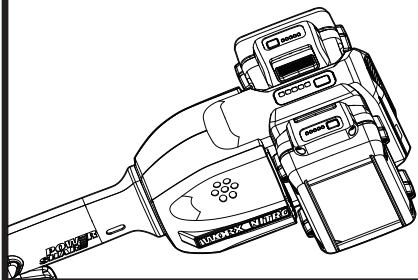
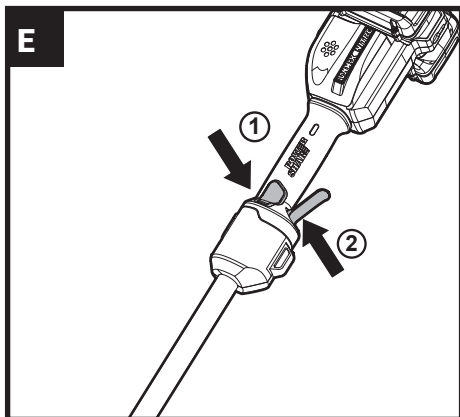
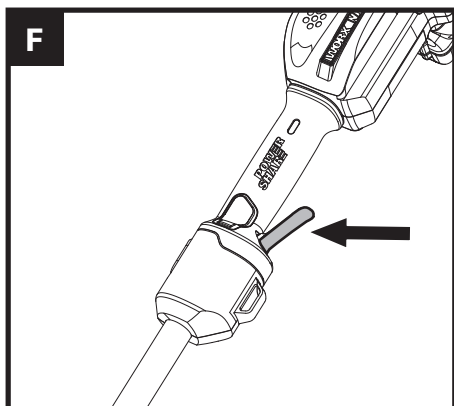
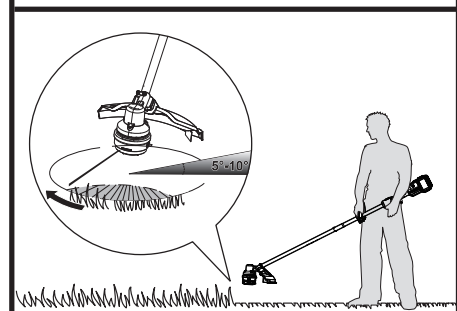
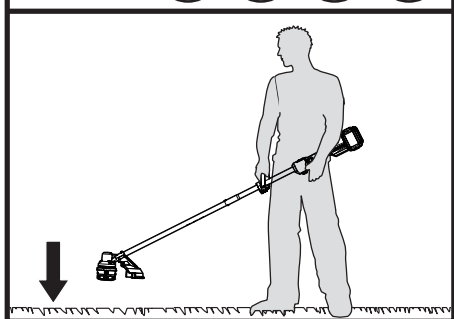
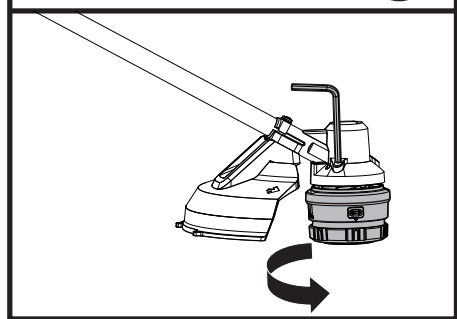
WG185E WG185E.X

Original Instruction	EN
Originalbetriebsanleitung	D
Notice originale	F
Istruzioni originali	I
Manual original	ES
Manual original	PT
Oorspronkelijke gebruiksaanwijzing	NL
Original brugsanvisning	DK
Original driftsinstruks	NOR
Bruksanvisning i original	SV
Instrukcja oryginalna	PL
ΜΕΤΑΦΡΑΣΗ ΤΩΝ ΠΡΩΤΟΤΥΠΩΝ ΟΔΗΓΙΩΝ	GR
Eredeti használati utasítás	HU
Instrucțiuni originale	RO
Původní návod k používání	CZ
Pôvodný návod na použitie	SK
Izvirna navodila	SL
Оригинальное руководство по эксплуатации	RU





C**D1****D2****D3****D4**

D5**E****F****G****H****I**

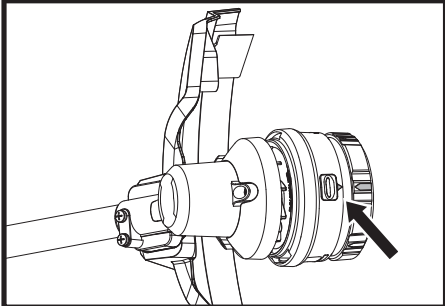
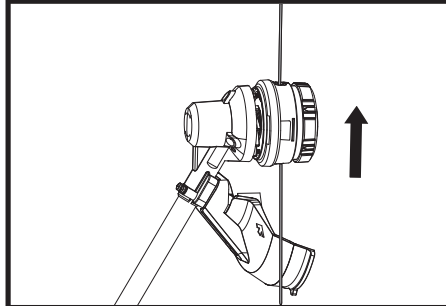
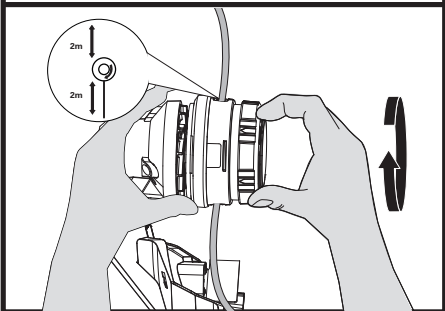
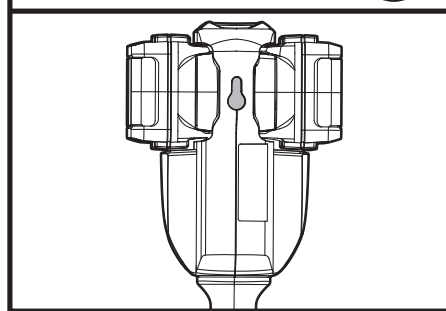
J1**J2****J3****K**

TABLE OF CONTENTS

1. PRODUCT SAFETY
2. COMPONENT LIST
3. TECHNICAL DATA
4. OPERATING INSTRUCTIONS
5. MAINTENANCE
6. ENVIRONMENTAL PROTECTION
7. DECLARATION OF CONFORMITY
8. PROBLEM SOLUTION

Users can view the electronic instructions at <https://eu.worx.com>.

1. PRODUCT SAFETY GENERAL SAFETY WARNINGS

 **WARNING Read all safety warnings and all instructions.**

Failure to follow the warnings and instructions may result in electric shock, fire and/or serious injury.

Save all warnings and instructions for future reference.

The appliance is only to be used with the batteries provided with the appliance.

IMPORTANT READ CAREFULLY BEFORE USE KEEP FOR FUTURE REFERENCE

Safe operating practices

1. Training

- a) Read the instructions

carefully. Be familiar with the controls and the correct use of the machine.

- b) Never allow children, persons with reduced physical, sensory or mental capabilities or lack of experience and knowledge or people unfamiliar with these instructions to use the machine, local regulations may restrict the age of the operator.
- c) Keep in mind that the operator or user is responsible for accidents or hazards occurring to other people or their property.

2. Preparation

- a) Before use, always visually inspect the machine for damaged, missing or misplaced guards or shields.
- b) Never operate the machine while people, especially children, or pets are nearby.

3. Operation

- a) Wear eye protection, long trousers and stout shoes at all times while operating the machine.
- b) Avoid using the machine in bad weather conditions especially when there is a risk of lightning.

- c) Use the machine only in daylight or good artificial light.
- d) Never operate the machine with damaged guards or shields or without guards or shields in place.
- e) Switch on the motor only when the hands and feet are away from the cutting means.
- f) Always disconnect the machine from the power supply (e.g. remove the battery pack from the machine)
 - 1) whenever the machine is left unattended;
 - 2) before clearing a blockage;
 - 3) before checking, cleaning or working on the machine;
 - 4) after striking a foreign object;
 - 5) whenever the machine starts vibrating abnormally.
- g) Take care against injury to feet and hands from the cutting means.
- h) Always ensure that the ventilation openings are kept clear of debris.
- i) Never fit metal cutting elements.
- j) Always be sure of your footing on slopes.
- k) Walk, never run.
- l) Not overreach and keep the balance at all times.
- m) Not to touch moving

hazardous parts before removing the battery pack from the machine and the moving hazardous parts have come to a complete stop.

4. Maintenance and storage

- a) Disconnect the machine from the power supply (e.g. remove the battery pack from the machine) before carrying out maintenance or cleaning work.
- b) Use only the manufacturer's recommended replacement parts and accessories.
- c) Inspect and maintain the machine regularly. Have the machine repaired only by an authorized repairer.
- d) When not in use, store the machine out of the reach of children.

BATTERY SAFETY SAFETY WARNINGS FOR BATTERY PACK

- a) Do not dismantle, open or shred cells or battery pack.**
- b) Do not short-circuit a battery pack. Do not store battery packs haphazardly in a box or drawer where they may short-circuit each other or be short-circuited by**

conductive materials.










When battery pack is not in use, keep it away from other metal objects, like paper clips, coins, keys, nails, screws or other small metal objects, that can make a connection from one terminal to another. Shorting the battery terminals together may cause burns or a fire.

- c) Do not expose battery pack to heat or fire. Avoid storage in direct sunlight.**
- d) Do not subject battery pack to mechanical shock.**
- e) In the event of battery leaking, do not allow the liquid to come into contact with the skin or eyes. If contact has been made, wash the affected area with copious amounts of water and seek medical advice.**
- f) Keep battery pack clean and dry.**
- g) Wipe the battery pack terminals with a clean dry cloth if they become dirty.**
- h) Battery pack needs to be charged before use. Always refer to this instruction and use the correct charging**

procedure.

- i) Do not maintain battery pack on charge when not in use.**
- j) After extended periods of storage, it may be necessary to charge and discharge the battery pack several times to obtain maximum performance.**
- k) Recharge only with the charger specified by Worx. Do not use any charger other than that specifically provided for use with the equipment.**
- l) Do not use any battery pack which is not designed for use with the equipment.**
- m) Keep battery pack out of the reach of children.**
- n) Retain the original product literature for future reference.**
- o) Remove the battery from the equipment when not in use.**
- p) Dispose of properly.**
- q) Do not use battery packs of different manufacture, size or type.**
- r) Keep the battery away from microwaves and high pressure.**

SYMBOLS

	Read operator's manual
	Keep bystanders away
	Wear eye and ear protection
	Do not expose to rain
	Waste electrical products must not be disposed of with household waste. Please recycle where facilities exist. Check with your local authorities or retailer for recycling advice.
	Li-Ion battery This product has been marked with a symbol relating to 'separate collection' for all battery packs and battery pack. It will then be recycled or dismantled in order to reduce the impact on the environment. Battery packs can be hazardous for the environment and for human health since they contain hazardous substances.
	Make sure the battery is removed prior to changing accessories.
	Trimming
	Do not burn
	Batteries may enter water cycle if disposed improperly, which can be hazardous for ecosystem. Do not dispose of waste batteries as unsorted municipal waste.

2.COMPONENT LIST

1. BATTERY PACK *
2. BATTERY INDICATOR LIGHT
3. LOCK-OFF BUTTON
4. VARIABLE-SPEED TRIGGER
5. ECO BUTTON
6. UPPER SHAFT
7. AUXILIARY HANDLE
8. LOWER SHAFT
9. SAFETY GUARD
10. LINE CUTTER
11. TRIMMER HEAD (BUMP HEAD)
12. RELEASE TAB

* Not all the accessories illustrated or described are included in standard delivery.

3.TECHNICAL DATA

Type Designation: **WG185E WG185E.X (1-designation of machinery, representative of Cordless Grass Trimmer)**

	WG185E WG185E.X **
Voltage	40 V \approx MAX (2x20V MAX) ***
No-load speed	6000/min
Cutting Diameter for grass trimmer	38cm
Line Diameter	2.4mm
Line Length	Max. 4m (Dual-Exit)
Machine Weight (bare tool)	2.87kg

** X=1-999, A-Z, M1-M9 there are only used for different customers, there are no safe relevant changes between these models.

** *Voltage measured without workload. Initial battery voltage reaches maximum of 20 volts. Nominal voltage is 18 volts.

SUGGESTED BATTERIES AND CHARGERS

Category	Model	Capacity
20 V Battery	WA3014	4.0 Ah
	WA3644	4.0 Ah
20 V Charger	WA3883	4.0 A

We recommend that you purchase your accessories listed in the above list from the same store that sold you the lawn trimmer. Refer to the accessory packaging for further details. Store personnel can assist you and offer advice.

NOISE INFORMATION

A weighted sound pressure	$L_{pA} = 78.4 \text{ dB(A)}$
K_{pA}	3 dB(A)
A weighted sound power	$L_{WA} = 92.5 \text{ dB(A)}$
K_{WA}	3 dB(A)

Wear ear protection.



VIBRATION INFORMATION

Typical weighted vibration	$a_h < 2.5 \text{ m/s}^2$
Uncertainty	$K = 1.5 \text{ m/s}^2$

The declared vibration total value may be used for comparing one tool with another, and may also be used in a preliminary assessment of exposure.

WARNING: The vibration emission value during actual use of the power tool can differ from the declared value depending on the ways in which the tool is used dependant on the following examples and other variations on how the tool is used:

How the tool is used and the materials being cut or drilled.

The tool being in good condition and well maintained

The use the correct accessory for the tool and ensuring it is sharp and in good condition.

The tightness of the grip on the handles and if any anti vibration accessories are used.

And the tool is being used as intended by its design and these instructions.

This tool may cause hand-arm vibration syndrome if its use is not adequately managed

WARNING: To be accurate, an estimation of exposure level in the actual conditions of use should also take account of all parts of the operating cycle such as the times when the tool is switched off and when it is running idle but not actually doing the job. This may significantly reduce the exposure level over the total working period.

Helping to minimise your vibration exposure risk.


ALWAYS use sharp chisels, drills and blades. Maintain this tool in accordance with these instructions and keep well lubricated (where appropriate)

If the tool is to be used regularly then invest in anti vibration accessories.

Plan your work schedule to spread any high vibration tool use across a number of days.

4.ASSEMBLY & OPERATION

Action	Figure
Assembly	
Assembling the Auxiliary Handle	See Fig. A1,A2,A3
Removing the tube plug NOTE: Before assembling the pole, Please remove the tube plug protector on the machine first.	See Fig. B1
Assembling the pole	See Fig. B2
Assembling the Safety Guard Insert the metal bracket into the slot on the safety guard, then secure the guard in place using the screw and hex key.	See Fig. C
Installing and Removing the Battery Pack NOTE: • This machine will only run when 2 batteries are installed. It is recommended to use the same two batteries and charge the two batteries at the same time. • When two batteries are used with different amp hours or charge level, the machine will run to the lowest common denominator. • It is recommended that using 4.0Ah or above battery pack for better performance and longer run time.	See Fig. D1, D2

<p>Checking the battery charge condition</p> <p>NOTE: Fig. D3 only applies for the battery pack with battery indicator light.</p>	See Fig. D3
<p>Charging the battery pack</p> <p>NOTE:</p> <ul style="list-style-type: none"> • The batteries are shipped uncharged. Each battery must be fully charged before the first use. • Always fully charge the two batteries at same time. More details can be found in charger's manual. 	See Fig. D4
<p>Battery power indicator on the machine</p> <p>See details in BATTERY STATUS section</p>	See Fig. D5
Operation	
<p>To start</p> <p> WARNING! The cutting head continues to rotate after the trimmer has been switched off; wait until it has completely stopped then lay down the tool. Press the lock-off button first, then press the switch trigger to start the machine.</p>	See Fig. E
<p>ECO Speed</p> <p>For longer run time, press the ECO button and switch trigger, then your machine will operate at a low speed.</p>	See Fig. F
Trimming	See Fig. G
Bump feed	See Fig. H
<p>Assembling and removing the trimmer head</p> <p>Insert the hex key into the hole and rotate the trimmer head until it stops in a locked position. Then, rotate counterclockwise to remove it, and clockwise to assemble it.</p>	See Fig. I

Winding the trimmer line

Step 1: Remove the battery pack from the trimmer

Step 2: Rotate the trimmer head in the direction of the arrow so it aligns with the eyelit.

Step 3: Insert the line into the eyelet (J2) and push the line until the end of the line comes out of the opposite eyelet.

Step 4: Pull the line from the other side until equal lengths of the line appear on both sides of the trimmer head (no more than 2m on either side)

Step 5: Rotate the head to load the line.

NOTE: The spool must be wound while installed in the trimmer head. Externally refilled spools inevitably leads to problems.

See Fig. J1,J2,J3

BATTERY STATUS (See Fig. D5)

Before starting or after use, press the button beside the power indicator light on the machine to check the battery capacity. During operation, the battery capacity will be indicated automatically by the battery power indicator.

The indicator constantly senses and displays the battery condition as follows.

For the machine with 2 battery packs with different power, the power indicator light displays the battery condition with the lower one of the two batteries.

Battery power indicator status	Battery condition
Five green lights (■ ■ ■ ■ ■) are illuminated.	The two batteries are in a highly charged condition.
Two, three or four green lights are illuminated.	The two batteries have a remaining charge. The more lights are illuminated, the more battery capacity.
Only one green light (■ □ □ □ □) is illuminated.	At least one battery is almost depleted and needs to be charged.
No light is illuminated.	At least one battery is not fully installed or battery may be defective.
Only one light is flashing twice per cycle.	At least one battery is over discharged (please refer to the battery charge condition), please recharge the two batteries at once before use again or storage.

Only one light is flashing three times per cycle.	At least one battery is hot, wait for them cool down before start again.
Only one light is flashing four times per cycle.	The machine is over load. Raise the cutting height or push slowly.

OPERATION INSTRUCTIONS



WARNING! The charger and battery pack are specially designed to work together so do not attempt to use any other devices. Never insert or allow metallic objects into your charger or battery pack connections because of an electrical failure and hazard will occur.

1. Bump-line feed system (See Fig. H)

The trimmer is equipped with a bump-line system. Just bump the trimmer head while the machine is running, new line will feed out.

2. Winding the trimmer line (WA0201)(See Fig. J1,J2)

Insert the replacement line through the eyelet and feed it through the other side. Ensure both ends of the line are even on each end of the trimmer head (recommended 2m) and cut the line. Turn the dial clockwise to wind the line around the spool until about 19cm remains on either side.

STORING YOUR GRASS TRIMMER



Always remove the battery pack from your trimmer after use.

To store your grass trimmer

The trimmer is provided with a hanging slot for storing the trimmer on the wall. (See Fig. K)
Store in a dry place where the trimmer and battery can be protected from damage.

5.MAINTENANCE



Always remove the battery pack from your trimmer after use.

Always check the product prior to being used for any damage.

After use, disconnect the battery from the tool and check for damage.
Your power tool requires no additional lubrication or maintenance. There are no user serviceable parts in your power tool. Never use water or chemical cleaners to clean your power tool. Wipe clean with a dry cloth. Always store your power tool in a dry room

temperature location. Keep the motor ventilation slots clean. Keep all working controls free of dust.

6. ENVIRONMENTAL PROTECTION



Waste electrical products must not be disposed of with household waste. Please recycle where facilities exist. Check with your local authorities or retailer for recycling advice.

7.DECLARATION OF CONFORMITY

We,
Positec Germany GmbH
Postfach 32 02 16, 50796 Cologne, Germany

Declare that the product
Description **Cordless Grass Trimmer**
Type **WG185E WG185E.X (1-designation of machinery, representative of Cordless Grass Trimmer)**
Function **cutting grass and similar soft vegetation and for trimming grass edges**

Complies with the following Directives:
2006/42/EC, 2014/30/EU, 2011/65/EU&(EU)2015/863, 2000/14/EC amended by 2005/88/EC

2000/14/EC amended by 2005/88/EC:
- Conformity Assessment Procedure as per **Annex VI**
- Measured Sound Power Level **92.5 dB (A)**
- Declared Guaranteed Sound Power Level **96 dB(A)**

The notified body involved
Name: Intertek Deutschland GmbH (notified body 0905)
Address: Stangenstraße 1, 70771 LEINFELDEN-ECHTERDINGEN

Standards conform to
EN 60335-1, EN 50636-2-91, EN 62233, EN ISO 3744, EN IEC 55014-1, EN IEC 55014-2, EN IEC 63000

The person authorized to compile the technical file,
Name Marcel Filz
Address Positec Germany GmbH
Postfach 32 02 16, 50796 Cologne, Germany



2023/09/12

Allen Ding

Deputy Chief Engineer, Testing & Certification

Positec Technology (China) Co., Ltd

18, Dongwang Road, Suzhou Industrial

Park, Jiangsu 215123, P. R. China

8.TROUBLESHOOTING

The following table gives problems and actions that you can perform if your machine does not operate correctly.



Warning: Switch the machine off and remove the battery prior to any troubleshooting.

Problems	Possible Causes	Corrective Action
Trimmer fails to operate.	Battery discharged. Battery too hot/cold. Motor is broken. Internal wiring of machine damaged.	Recharge battery; also see the content in charger manual. Allow to cool/warm. Contact Service Agent. Contact Service Agent.
Trimmer runs intermittently.	Motor is broken. Battery not fully charged. On/Off switch defective.	Contact Service Agent. Recharge battery. Contact Service Agent.
Excessive vibrations/noise.	Machine defective. Line spool is not wound well.	Contact Service Agent. Rewind the line. See " To fit spool and line assembly."
Cutting time per battery charge too short.	Battery has not been used for long period or only charged for short term. Grass too high. Battery defective.	Fully charge battery; also see the content in charger manual. Cut in stages. Replace the battery.
Machine does not cut.	Line broken. Battery not fully charged. Motor is broken (speed is too low). Grass entangled around cutting head.	Replace the line. Recharge battery; also see the content in charger manual Contact Service Agent. Remove grass.
Continuous lighting of the battery charge indicator. No charging procedure possible.	Battery not (properly) inserted. Battery contacts contaminated. Battery defective.	Properly insert battery into battery charger. Clean the battery contacts or replace the battery. Replace the battery.
Battery charge indicator does not light up.	Plug of battery charger not plugged in (properly). Socket outlet, mains cable or battery charger defective.	Insert mains plug (fully) into the socket outlet. Check the mains voltage; have the battery charger checked by an authorized after-sales service agent.

INHALTSVERZEICHNIS

1. PRODUKTSICHERHEIT
2. KOMPONENTEN
3. TECHNISCHE DATEN
4. HINWEISE ZUM BETRIEB
5. WARTUNG
6. UMWELTSCHUTZ
7. KONFORMITÄTSERKLÄRUNG
8. PROBLEMBEHEBUNG

Die elektronischen Anleitungen sind abrufbar unter <https://eu.worx.com>.

1. PRODUKTSICHERHEIT ALLGEMEINE SICHERHEITSHINWEISE

 **WARNUNG Lesen Sie alle Sicherheitshinweise und Anweisungen.**

Versäumnisse bei der Einhaltung der Sicherheitshinweise und Anweisungen können elektrischen Schlag, Brand und/oder schwere Verletzungen verursachen.

Bewahren Sie alle Sicherheitshinweise und Anweisungen für die Zukunft auf.

Das Gerät darf nur mit den mitgelieferten Batterien verwendet werden.

**WICHTIG
VOR GEBRAUCH BITTE GENAU
DURCHLESEN**

FÜR SPÄTERE BEZUGNAHME AUFBEWAHREN

Sichere Arbeitsverfahren

1. Training

- a) Die Anweisungen aufmerksam durchlesen. Machen Sie sich mit den Bedienelementen und dem vorschriftsmäßigen Gebrauch dieses Gerätes vertraut.
- b) Lassen Sie niemals Kinder, Personen mit eingeschränkten physischen, sensorischen oder mentalen Fähigkeiten und Erfahrung oder Personen, die nicht mit diesen Anweisungen vertraut sind, die Maschine bedienen. Lokale Vorschriften können das Alter des Bedieners einschränken.
- c) Die Bedienperson bzw. der Benutzer ist für Unfälle oder Schäden an anderen Menschen oder deren Eigentum verantwortlich.

2. Vorbereitung

- a) Bevor Sie die Maschine verwenden, untersuchen Sie diese stets auf sichtbare Schäden, fehlende oder falsch platzierte Abdeckungen oder Schutzschilder.
- b) Benutzen Sie die Maschine niemals während sich

Personen, insbesondere Kinder, oder Tiere in unmittelbarer Nähe aufhalten.

3. Betrieb

- a) Tragen Sie beim Betrieb der Maschine stets Augenschutz, Gehörschutz, lange Hosen und festes Schuhwerk.
- b) Vermeiden Sie die Nutzung der Maschine bei schlechtem Wetter, besonders wenn die Gefahr eines Blitzschlags besteht.
- c) Verwenden Sie die Maschine nur bei Tageslicht oder gutem künstlichen Licht.
- d) Bedienen Sie die Maschine niemals mit beschädigten oder fehlenden Schutzvorrichtungen oder Abdeckungen.
- e) Schalten Sie den Motor nur ein, wenn die Hände und Füße fern vom Schneidebereich sind.
- f) Trennen Sie die Maschine stets von der Stromversorgung (z.B. entfernen Sie den/ die Aukpack/s aus der Maschine):
 - 1.) wenn die Maschine unbeaufsichtigt gelassen wird
 - 2.) wenn sie ein Hindernis wegräumen.
 - 3.) wenn sie die Maschine überprüfen, säubern oder an der Maschine arbeiten.
 - 4.) nach der Kollision mit einem Fremdkörper.
 - 5.) wenn die Maschine ungewöhnlich zu vibrieren beginnt.
 - g) Achten Sie darauf, Ihre Hände und Füße nicht an den Schneidwerkzeugen zu verletzen.
 - h) Lüftungsöffnungen regelmäßig kontrollieren und säubern.
 - i) Niemals Schneidvorrichtungen aus Metall anbauen.
 - j) Auf schrägen Flächen stets auf sicheren Tritt achten.
 - k) Gehen Sie, laufen Sie nicht.
 - l) Lehnen Sie sich nicht hinaus, und halten Sie stets das Gleichgewicht.
 - m) Berühren Sie keine gefährlichen beweglichen Teile, bevor die Maschine von der Stromversorgung getrennt wurde und die beweglichen Teile vollständig zum Stillstand gekommen sind.

4. Wartung und Aufbewahrung

- a) Trennen Sie die Maschine von der Stromversorgung(z.

B. entfernen Sie das Akkupack aus der Maschine), bevor Sie Wartungs- oder Reinigungsarbeiten durchführen.

- b) Verwenden Sie ausschließlich vom Hersteller empfohlene Ersatzteile und Zubehör.
- c) Untersuchen und warten Sie die Maschine regelmäßig. Lassen Sie die Maschine nur von einem autorisierten Fachmann reparieren.
- d) Lagern Sie das Gerät außerhalb der Reichweite von Kindern, wenn es nicht gebraucht wird.

Akkupacks ist dieses von Metallgegenständen fernzuhalten, wie etwa Büroklammern, Münzen, Nägeln, Schrauben oder anderen kleinen Metallgegenständen, wo sich die Batterieklemmen berühren könnten. Das Kurzschließen der Batterieklemmen kann Verbrennungen bzw. einen Brand verursachen.

c) Zellen bzw. Akkupacks nicht Hitze oder Feuer aussetzen. Lagerung in direktem Sonnenlicht vermeiden.

d) Akkupack nicht mechanischen Stößen aussetzen.

e) Im Fall, dass Flüssigkeit aus dem Akku austritt, darf diese nicht in Kontakt mit der Haut oder den Augen kommen. Sollte dies dennoch geschehen, den betroffenen Bereich sofort mit viel Wasser spülen und einen Arzt aufsuchen.

f) Akkupack sauber und trocken halten.

g) Sollten die Klemmen des Akkupacks schmutzig werden, diese mit einem

18

BATTERIESICHERHEIT SICHERHEIT HINWEISE FÜR AKKUPACK

a) Zellen bzw. Akkupack nicht zerlegen, öffnen oder mutwillig zerstören.

b) Akkupack nicht kurzschließen. Akkupacks nicht wahllos in einer Schachtel oder Schublade aufbewahren, wo sie einander kurzschließen oder durch andere leitfähige Materialien kurzgeschlossen werden könnten. Bei Nichtverwendung des

sauberen, trockenen Tuch abwischen.

- h) Akkupack muss vor Gebrauch aufgeladen werden. Beachten Sie die Gebrauchsanweisungen des Ladegerätes.**
- i) Akkupack bei Nichtverwendung nicht im Ladegerät aufbewahren.**
- j) Nach längerer Lagerung längerer Lagerung des Akkus ist es eventuell notwendig den Akkupack mehrere Male mehrere Male aufzuladen und zu entladen, um eine optimale Leistung zu erhalten.**
- k) Nur mit dem von Worx bezeichneten Ladegerät aufladen. Kein Ladegerät verwenden, das nicht ausdrücklich für den Gebrauch mit dem Gerät vorgesehen ist.**
- l) Kein Akkupack verwenden, das nicht für den Gebrauch mit dem Gerät vorgesehen ist.**
- m) Akkupacks von Kindern fernhalten.**
- n) Die originalen Produktunterlagen zum späteren Nachschlagen aufbewahren.**

o) Den Akku bei Nichtverwendung aus dem Gerät nehmen.

p) Ordnungsgemäß entsorgen.

q) Verwenden Sie keine Akkupacks anderer Hersteller, Größe oder Typen.

r) Halten Sie den Akku von Mikrowellen und hohem Druck fern.

SYMBOLE

	Bedienungsanleitung lesen
	Halten Sie einen Sicherheitsabstand zu Unbeteiligten ein.
	Tragen Sie Augen- und Gehörschutz
	Vor Regen schützen
	Stellen Sie sicher, dass der Akku vor dem Wechseln des Zubehörs entfernt wird.



Lithium-Ionen-Akku: Dieses Produkt wurde mit einem Symbol markiert, das sich auf die 'gesonderte Sammlung' aller Akkupacks und Akkus bezieht. Es wird anschließend recycelt oder demontiert, um die Beeinträchtigung der Umwelt zu verringern. Akkupacks können die Umwelt und menschliche Gesundheit beeinträchtigen, da diese schädliche Substanzen enthalten.



Stellen Sie sicher, dass der Akku vor dem Wechseln des Zubehörs entfernt wird.



Trimmen



Nicht verbrennen



Wenn die Akkus unsachgemäß behandelt wird, kann sie in den Wasserkreislauf gelangen und das Ökosystem schädigen. Entsorgen Sie verbrauchte Akkus nicht über den Hausmüll.

* **Abgebildetes oder beschriebenes Zubehör gehört teilweise nicht zum Lieferumfang.**

3. TECHNISCHE DATEN

Typ **WG185E WG185E.X (1-Bezeichnung der Maschine, Repräsentativ für den den Akku Rasentrimmer)**

	WG185E WG185E.X **
Spannung	40 V $\overline{=}$ MAX (2x20V MAX) ***
Leerlaufnendrehzahl	6000/min
Rasenmäher-Schnittdurchmesser	38cm
Fadenstärke	2.4mm
Linienlänge	Max.4m (zweifacher Ausgang)
Gewicht (Ohne Akku)	2.87kg

** X=1-99, A-Z, M1-M9 kennzeichnet verschiedene Modelvarianten, es gibt keine , es gibt keine sicherheitsrelevanten Veränderungen zwischen diesen Modellen.

***Spannung ohne Arbeitslast gemessen. Anfangsakkuspannung erreicht maximal 20 Volt. Nennspannung ist 18 Volt.

2.KOMPONENTEN

1. **AKKUPACK ***
2. **AKKU-LADESTANDSANZEIGE**
3. **SCHALTHEBELSPERRE**
4. **SENSIBLER SCHALTHEBEL**
5. **ECO-TASTE**
6. **OBERER GERÄTETEIL**
7. **ZUSATZHANDGRIFF**
8. **UNTERER GERÄTETEIL**
9. **SICHERHEITSSCHUTZ**
10. **ABLÄNGMESSER**
11. **BUMP-FEED TRIMMERKOPF**
12. **MANUELLE FADENVERLÄNGERUNG**

EMPFOHLENE AKKUS UND LADEGERÄTE

Kategorie	Modell	Kapazität
20V Akku	WA3014	4.0Ah
	WA3644	4.0Ah
20V Ladegerät	WA3883	4.0A

Wir empfehlen, dass Sie Ihr Zubehör in dem Geschäft kaufen, in dem Sie das Werkzeug verkaufen.

Weitere Einzelheiten entnehmen Sie bitte in der Zubehörverpackung. Das Ladenpersonal kann Ihnen behilflich sein und Ratschläge anbieten.

INFORMATIONEN ÜBER LÄRM

Gewichteter Schalldruck

$L_{PA} = 78.4 \text{ dB(A)}$

K_{pA}	3 dB(A)
Gewichtete Schallleistung	$L_{WA} = 92.5$ dB(A)
K_{WA}	3 dB(A)

Tragen Sie einen Gehörschutz.



INFORMATIONEN ÜBER VIBRATIONEN

Typischer gewichteter Vibrationswert	$a_n < 2.5$ m/s ²
Unsicherheit	$K = 1.5$ m/s ²

Der Schwingungsgesamtwert kann zum Vergleichen eines Werkzeugs mit einem anderen verwendet werden, ebenso für eine vorläufige Beurteilung von Belastungen.

! WARNUNG: Der Vibrationsemissionswert während des tatsächlichen Gebrauchs des Elektrowerkzeugs kann vom angegebenen Wert abweichen, je nachdem, wie das Werkzeug gemäß folgender Beispiele und anderweitiger Verwendungsmöglichkeiten eingesetzt wird: Die Verwendung des Werkzeugs und die Art, wie die Materialien geschnitten oder angebohrt werden. Das Werkzeug ist in gutem Zustand und gut gepflegt. Verwendung des richtigen Zubehörs für das Werkzeug und Gewährleistung seiner Schärfe und seines guten Zustands. Die Festigkeit der Handgriffe und ob Antivibrationszubehör verwendet wird. Und ob das verwendete Werkzeug dem Design und diesen Anweisungen entsprechend verwendet wird.


Wird dieses Werkzeug nicht angemessen gehandhabt, kann es ein Hand-Arm-Vibrationssyndrom erzeugen.

! WARNUNG: Um genau zu sein, sollte ein Abschätzung des Belastungsgrades aller Arbeitsabschnitte während tatsächlicher Verwendung berücksichtigt werden, z.B. die Zeiten, wenn das Werkzeug ausgeschaltet ist, und wenn es sich im Leerlauf befindet und eigentlich nicht eingesetzt wird. Auf diese Weise kann der Belastungsgrad während der gesamten Arbeitszeit wesentlich gemindert werden. Minimieren Sie Ihr Risiko, dem Sie bei Vibrationen ausgesetzt sind. Pflegen Sie dieses Werkzeug diesen Anweisungen entsprechend und achten Sie auf eine gute Einfettung (wo erforderlich). Bei regelmäßiger Verwendung dieses Werkzeugs

sollten Sie in Antivibrationszubehör investieren. Machen Sie einen Arbeitsplan, um die Verwendung von hochvibrierenden Werkzeugen auf mehrere Tage zu verteilen.

4. MONTAGE UND BEDIENUNG

MASSNAHME	ABBILDUNG
MONTAGE	
Montage des zusätzlichen Handgriffs	Siehe Abb. A1,A2,A3
Abnehmen des Rohrsteckers HINWEIS: Bevor Sie die Stange montieren, entfernen Sie bitte zuerst den Schutz des Rohrsteckers am Gerät.	Siehe Abb. B1
Zusammenbau der Stange	Siehe Abb. B2
Montage der Schutzhaube Setzen Sie die Metallklammer in den Schlitz der Schutzvorrichtung ein und befestigen Sie die Schutzvorrichtung mit Schrauben und einem Sechskantschlüssel.	Siehe Abb. C
Anbringen Und Entfernen Des Akkus HINWEIS: • Dieser Rasentrimmer kann nur mit 2 installierten Akkus betrieben werden. Bitte verwenden Sie immer zwei gleiche Akkus und laden Sie diese gleichzeitig auf. • Bei Verwendung von zwei Batterien mit unterschiedlichen Amperestunden oder Ladezuständen läuft die Maschine mit dem kleinsten gemeinsamen Nenner. • Ein 4.0Ah oder höherer Akku wird für eine bessere Leistung und längere Laufzeit empfohlen.	Siehe Abb. D1, D2
Prüfen des Akkuladestands HINWEIS: Abb. D3 gilt nur für das Akkupack mit Akkustandanzeige.	Siehe Abb. D3

Aufladen des Akkupacks HINWEIS: • Das Akkupack wird mit geringer Ladung geliefert. Der Akku muss vor der ersten Nutzung vollständig geladen werden. • Laden Sie die beiden Akkus stets gleichzeitig auf. Weitere Details finden Sie im Handbuch des Ladegeräts.	Siehe Abb. D4
Akku-Ladestandanzeige an der Maschine Details siehe Abschnitt BATTERIELADEZUSTAND	Siehe Abb. D5
BETRIEB	
So starten Drücken Sie zuerst die Schalthebelsperre und dann den Schalthebel, um die Maschine zu starten.  WARNUNG! Der Schneidkopf dreht sich auch nachdem der Schalthebel losgelassen wurde noch weiter. Schützen Sie sich vor Verletzungen!"	Siehe Abb. E
ECO-Geschwindigkeit Um die Laufzeit zu verlängern, drücken Sie die ECO-Taste und betätigen Sie den Auslöser. Die Maschine läuft dann mit niedriger Geschwindigkeit.	Siehe Abb. F
Trimmen	Siehe Abb. G
Stoßvorschub / Bump-Feed	Siehe Abb. H
Montage und Demontage des Trimmerkopfes Führen Sie einen Inbusschlüssel in das Loch ein und drehen Sie den Trimmerkopf bis zum Anschlag in der verriegelten Position. Entfernen Sie ihn dann, indem Sie ihn gegen den Uhrzeigersinn drehen, und bauen Sie ihn dann zusammen, indem Sie ihn im Uhrzeigersinn drehen.	Siehe Abb. I

Die Trimmerfaden aufwickeln Schritt 1: Entfernen Sie den Akku aus dem Trimmer. Schritt 2: Drehen Sie den Trimmerkopf in Pfeilrichtung, sodass er mit der Öse ausgerichtet ist. Schritt 3: Führen Sie die Schnur in die Öse (J2) ein und schieben Sie die Schnur, bis das Ende der Schnur aus der gegenüberliegenden Öse austritt. Schritt 4: Ziehen Sie die Schnur von der anderen Seite, die Schnur auf beiden Seiten des Trimmerkopfes gleich lang ist (nicht mehr als 2 m (6,5 Fuß) auf jeder Seite). Schritt 5: Drehen Sie den Kopf, um die Schnur zu laden. HINWEIS: Die Spule muss aufgewickelt werden, während sie im Trimmerkopf eingesetzt ist. Extern nachgelegte Spulen führen unweigerlich zu Problemen..	Siehe Abb. J1,J2,J3
--	---------------------

STATUSANZEIGEN DER BATTERIE (Siehe Abb. D5)

Betätigen Sie vor Beginn oder nach Beendigung der Nutzung die Taste auf dem Gerät neben der Strom-Signalleuchte, um die Batteriekapazität zu überprüfen. Während des Betriebs wird die Batteriekapazität automatisch auf der Ladezustandsanzeige der Batterie angezeigt. Die Anzeige überprüft die Batterie durchgehend und zeigt den Batteriezustand wie folgt an. Bei einem Gerät mit 2 Batteriepacks mit unterschiedlichem Ladezustand zeigt die Ladezustandsanzeige der Batterie den Zustand der Batterie mit dem jeweils niedrigeren Ladezustand an.

Status der Akku-Ladestandanzeige	Batterieladestandard
Fünf grüne LEDs (■ ■ ■ ■ ■) leuchten.	Beide Akkus sind vollständig aufgeladen.
Zwei, drei oder vier grüne LEDs leuchten.	Die beiden Akkus haben eine Restladung. Je mehr LEDs leuchten, desto höher ist die Akkukapazität.
Es leuchtet nur eine grüne LED (■ □ □ □ □).	Mindestens ein Akku ist leer und muss aufgeladen werden.
Es leuchtet keine LED.	Mindestens ein Akku ist nicht vollständig installiert oder defekt.

Pro Zyklus blinkt nur eine LED zweimal.	Mindestens ein Akku ist tiefentladen (siehe Ladestatus der Batterie); bitte laden Sie die beiden Akkus auf, bevor Sie diese erneut nutzen oder lagern.
Pro Zyklus blinkt nur eine LED dreimal.	Mindestens ein Akku ist heiß gelaufen; warten Sie vor der Nutzung, bis dieser abgekühlt ist.
Pro Zyklus blinkt nur eine LED dreimal.	Die Maschine ist überlastet. Reduzieren sie die Arbeitsbelastung

HINWEISE ZUM BETRIEB



WARNUNG! Das Ladegerät und der Akku sind aufeinander abgestimmt und sollten nur gemeinsam verwendet werden. Versuchen Sie nicht, andere Geräte oder Akkus zu verwenden. Achten Sie darauf, dass keine Metallteile o. ä. die Anschlüsse des Ladegeräts oder des Akkus berühren; andernfalls kann es zu einem gefährlichen Kurzschluss kommen.

1. Stoßvorschub / Bump-Feed System (siehe Abb. H)

Der Trimmerkopf verfügt über eine Bump-Feed Fadenverlängerung. Wenn Sie bei sich drehendem Mähkopf kurz auf dem Boden auf tippen wird der Trimmerfaden nachgestellt.

2. Den Trimmerfaden aufwickeln(WA0201)(Siehe Abb. J1,J2)

Die Trimmerspule muss nachgefüllt werden, während sie im Trimmerkopf eingesetzt ist. Führen Sie den Ersatzfaden durch eine Öffnung des Trimmerkopfes ein und schieben den Faden so durch, dass er auf der anderen Seite des Trimmerkopfes heraus kommt. Längen Sie den Faden auf beiden Seiten gleich ab(empfohlen max. 2m). Drehen Sie dann den Drehknopf im Uhrzeigersinn um den Faden auf die Spule aufzuwickeln bis die Enden zu ca. 19cm aus dem dem Trimmerkopf herauschauen."

AUFBEWAHRUNG



Nach der Verwendung des Trimmers stets die Akkupacks entfernen.

Lagerung Ihres Rasentrimmers

Der Rastentrimmer besitzt eine Aussparung zur Aufhängung an der Wand. (siehe Abb. K) Lagern Sie den Trimmer an einem trockenen Ort, geschützt vor Kälte und direkter Sonneneinstrahlung.

5.WARTUNG



Nach Verwendung das Akkupack stets aus Ihrem Trimmer entfernen.

Vor Verwendung ist das Produkt stets auf Schäden hin zu überprüfen.

Nach Verwendung das Akkupack stets aus Ihrem Trimmer entfernen.

Ihr Werkzeug benötigt keine zusätzliche Schmierung. Reinigen Sie Ihr Werkzeug niemals mit Wasser oder chemischen Loesungsmitteln. Wischen Sie es mit einem trockenen Tuch sauber. Lagern Sie Ihr Werkzeug immer an einem trockenen Platz. Sorgen Sie dafür, dass bei staubigen Arbeiten die Lüftungsöffnungen frei sind. Halten Sie alle Bedienelemente staubfrei.

6.UMWELTSCHUTZ



Elektroprodukte dürfen nicht mit dem normalen Haushaltsmüll entsorgt werden, sondern sollten nach Möglichkeit zu einer Recyclingstelle gebracht werden. Ihre zuständigen Behörden oder Ihr Fachhändler geben Ihnen hierzu gerne Auskunft.

7.KONFORMITÄTSERKLÄRUNG

Wir,
Positec Germany GmbH
Postfach 32 02 16, 50796 Cologne, Germany

Erklären Hiermit, Dass Unser Produkt
Beschreibung **Akku Rasentrimmer**
Typ **WG185E WG185E.X (1-Bezeichnung der Maschine, Repräsentativ für den den Akku Rasentrimmer)**

Funktion **Gras und ähnlich weiche Vegetation schneiden und Graskanten trimmen**

den Bestimmungen der folgenden Richtlinien entspricht:

2006/42/EC, 2014/30/EU, 2011/65/EU&(EU)2015/863, 2000/14/EC geändert durch 2005/88/EC

2000/14/EC geändert durch 2005/88/EC:

- Konformitätsbewertungsverfahren nach **Anhang VI**

- Gemessene Schallleistung **92.5 dB (A)**

- Garantierte Schallleistung **96 dB (A)**

Zertifizierungsstelle

Name: Intertek Deutschland GmbH (notifizierte Stelle 0905)

Anschrift: Stangenstraße 1, 70771 LEINFELDEN-ECHTERDINGEN

Normen,

**EN 60335-1, EN 50636-2-91, EN 62233,
EN ISO 3744, EN IEC 55014-1, EN IEC 55014-2,
EN IEC 63000**

Zur Kompilierung der technischen Datei ermächtigte
Person,

Name Marcel Filz

Anschrift Positec Germany GmbH

Postfach 32 02 16, 50796 Cologne, Germany



2021/01/27

Allen Ding

Stellvertretender Cheffingenieur,

Prüfung und Zertifizierung

Positec Technology (China) Co., Ltd

18, Dongwang Road, Suzhou Industrial

Park, Jiangsu 215123, P. R. China

8. STÖRUNGSBEHEBUNG

In der folgenden Tabelle finden Sie Probleme und Maßnahmen, die Sie ergreifen können, falls Ihre Maschine nicht ordnungsgemäß funktioniert.



Warnung: Schalten Sie die Maschine aus und entfernen Sie den Akku, bevor Sie Störungen beheben.

Problem	Mögliche Ursachen	Abhilfemaßnahme
Trimmer funktioniert nicht.	Akku entladen. Akku zu heiß/kalt. Motor ist beschädigt. Leitungen im Geräteinneren sind beschädigt	Akku aufladen; weitere Details finden Sie im Handbuch des Ladegeräts. Gerät abkühlen/erwärmen lassen. Kundendienst kontaktieren. Kundendienst kontaktieren.
Trimmer arbeitet nur mit Unterbrechungen.	Motor ist beschädigt. Akku nicht vollständig aufgeladen. Ein-/Ausschalter defekt.	Kundendienst kontaktieren. Akku aufladen. Kundendienst kontaktieren.
Übermäßige Vibrationen/Lärm exzessiv.	Maschine defekt. Fadenspule nicht gut aufgewickelt.	Kundendienst kontaktieren. Faden neu aufwickeln. Siehe unter „So bauen Sie Spule und Schneidfaden ein“.
Schneidezeit per Akkuladung ist zu kurz.	Akku wurde längere Zeit nicht benutzt oder nur kurz aufgeladen. Gras zu hoch. Akku defekt.	Akku voll aufladen; weitere Details finden Sie im Handbuch des Ladegeräts. In Abschnitten trimmen. Akku austauschen.
Maschine schneidet nicht.	Faden abgerissen. Akku nicht voll aufgeladen. Motor ist beschädigt (Drehzahl ist zu niedrig). Gras hat sich um den Schneidkopf verfangen.	Faden austauschen. Akku aufladen; weitere Details finden Sie im Handbuch des Ladegeräts. Kundendienst kontaktieren. Gras entfernen.
Ununterbrochenes Aufleuchten der Akkuladeanzeige. Kein Ladevorgang möglich.	Akku nicht (richtig) eingelegt. Akkukontakte verunreinigt. Akku defekt.	Akku ordentlich in das Akkuladegerät hineinlegen. Akkukontakte reinigen oder Akku austauschen. Akku austauschen.
Akkuladeanzeige leuchtet nicht auf.	Stecker des Akkuladegerätes ist nicht (vollständig) eingesteckt. Steckdose, Netzkabel oder Akkuladegerät ist defekt.	Netzstecker (vollständig) in Steckdose stecken. Netzspannung prüfen; Batterieladegerät vom technischen Kundendienst überprüfen lassen.

SOMMAIRE

1. SÉCURITÉ DU PRODUIT
2. LISTE DES COMPOSANTS
3. CARACTÉRISTIQUES TECHNIQUES
4. FONCTIONNEMENT
5. ENTRETIEN
6. PROTECTION DE L'ENVIRONNEMENT
7. DÉCLARATION DE CONFORMITÉ
8. RESOLUTION DES PROBLEMES

Les utilisateurs peuvent consulter les instructions électroniques à l'adresse <https://eu.worx.com>.

SÉCURITÉ DU PRODUIT AVERTISSEMENTS DE SÉCURITÉ GÉNÉRAUX



AVERTISSEMENT

Lire tous les avertissements de sécurité et toutes les instructions. Ne pas suivre les avertissements et instructions peut donner lieu à un choc électrique, un incendie et/ou une blessure sérieuse.

Conserver tous les avertissements et toutes les instructions pour pouvoir s'y reporter ultérieurement.

L'appareil ne doit être utilisé qu'avec l'unité d'alimentation fournie avec l'appareil.

**IMPORTANT
LISEZ ATTENTIVEMENT AVANT**

UTILISATION CONSERVEZ POUR RÉFÉRENCE FUTURE

Utilisation en sécurité

1. Instructions

- a) Lire attentivement les instructions, afin de connaître l'utilisation appropriée pour l'appareil.
- b) Cette machine ne peut pas être utilisée par les enfants, les personnes dont les capacités physiques, sensorielles ou mentales sont réduites, ou avec un manque d'expérience ou de connaissances, ou bien les personnes ne connaissant pas les consignes d'utilisation de la machine. Les réglementations locales peuvent limiter l'âge d'utilisation de l'opérateur.
- c) Gardez à l'esprit que l'opérateur ou l'utilisateur est responsable des accidents et des dangers survenant à d'autres personnes ou à leurs biens.

2. Préparation

- a) Avant d'utiliser la machine, toujours vérifier visuellement la présence de dommages, les dispositifs de protection ou les blindages manquants

ou mal placés.

- b) Ne pas utiliser la machine, à proximité des gens, particulièrement des enfants, ou des animaux.

3. Fonctionnement

- a) Porter des protections des yeux, des pantalons longs et des grosses chaussures.
- b) Éviter d'utiliser la machine par mauvais temps, en particulier lorsqu'il existe un risque foudre.
- c) Utiliser l'outil uniquement durant la journée ou bien sous un éclairage artificiel puissant.
- d) Ne jamais faire fonctionner la machine quand les dispositifs de protection ou les blindages sont endommagés ou lorsqu'ils ne sont pas à leur place.
- e) Tenir les mains et les pieds éloignés des éléments de coupe pour allumer le moteur.
- f) Toujours débrancher la machine de la prise d'alimentation (par ex., retirer la batterie de la machine).
 - 1) quand la machine est laissée sans surveillance ;
 - 2) avant de dégager un encombrement;
 - 3) avant le contrôle, le nettoyage

ou toute opération sur la machine;

- 4) après avoir heurter un objet étranger;
- 5) quand la machine vibre de façon anormale.
- g) Faire attention à ne pas se blesser aux mains et aux pieds avec les éléments de coupe.
- h) Toujours s'assurer que les ouies de ventilation ne sont pas bouchées par des débris.
- i) Ne jamais utiliser d'éléments coupants en métal.
- j) S'assurer du bon équilibre sur les pentes.
- k) Marchez, ne courez jamais.
- l) Ne pas se projeter trop loin et toujours rester en équilibre.
- m) Ne pas toucher les parties en mouvement dangereuses avant de débrancher la machine du secteur. Les parties en mouvement doivent être à l'arrêt complet.

4. Entretien

- a) Débrancher la machine de la source d'alimentation (par ex., retirer la batterie de la machine) avant de procéder à l'entretien ou au nettoyage de la machine.
- b) N'utiliser que les pièces et les accessoires de conseillés

recommandés par le fabricant

- c) Inspecter et entretenir la machine de manière régulière. Seuls les réparateurs officiels peuvent réparer la machine.
- d) Lorsqu'elle n'est pas utilisée, stockez la machine hors de portée des enfants.

SÉCURITÉ DE LA BATTERIE MISES EN GARDE CONCERNANT LA BATTERIE

- a) **La batterie et les piles secondaires ne doivent pas être ouvertes, démontées ou broyées.**
- b) **La batterie ne doit pas être court-circuitée. Évitez de mettre la batterie en vrac dans une boîte ou dans un tiroir où elles risqueraient de se court-circuiter entre elles ou au contact d'autres objets métalliques.** Après usage, évitez tout contact de la batterie avec d'autres objets métalliques de petite taille (trombones, pièces, clés, clous, vis etc.) susceptibles de court-circuiter les pôles. Un court-circuit entre les pôles de la batterie peut être à l'origine de brûlures ou d'un

incendie.

- c) **La batterie ne doit pas être exposée au feu et à la chaleur. Évitez de la ranger à la lumière du soleil.**
- d) **La batterie et les piles ne doivent pas être soumises à des chocs mécaniques.**
- e) **En cas de fuite des piles, évitez tout contact du liquide avec la peau et les yeux. En cas de contact, rincez abondamment la surface touchée avec de l'eau et appelez les urgences.**
- f) **La batterie et les piles doivent rester propres et sèches.**
- g) **Si la batterie ou les piles se salissent, essuyez-les avec un chiffon propre et sec.**
- h) **La batterie et les piles doivent être chargées avant usage. Utilisez toujours le chargeur adéquat, et respectez les instructions du fabricant ou le mode d'emploi de l'appareil concernant la procédure de recharge.**
- i) **Évitez de laisser une batterie se charger pendant trop longtemps**

lorsqu'elle n'est pas utilisée.

j) Après de longues périodes d'inutilisation, il peut être nécessaire de charger et décharger la batterie et les piles à plusieurs reprises avant que celles-ci ne retrouvent leur capacité maximale.

k) N'utilisez pas d'autre chargeur que celui spécifié par Worx. N'utilisez pas d'autre chargeur que celui spécifiquement fourni avec l'appareil.

l) N'utilisez en aucun cas une batterie autre que celle prévue pour cet appareil.

m) La batterie doit être tenue hors de portée des enfants.

n) Gardez la documentation d'origine du produit afin de pouvoir vous y référer ultérieurement.

o) Enlevez la batterie de l'appareil lorsque vous ne l'utilisez pas.

p) Respectez les procédures de mise au rebut.

q) Ne pas mélanger des piles de fabrication, capacité, taille ou type différents

**dans un appareil.
r) Protégez la batterie des micro-ondes et des hautes pressions.**

SYMBOLES

	Lire le mode d'emploi
	Tenez vous à bonne distance
	Protection des yeux et des oreilles
	Ne pas exposer à la pluie
	Les déchets d'équipements électriques et électroniques ne doivent pas être déposés avec les ordures ménagères. Ils sont collectés pour être recyclés dans des centres spécialisés. Consultez les autorités locales ou votre revendeur pour obtenir des renseignements sur l'organisation de la collecte.
	Batterie Li-Ion Ce produit comporte un symbole de « Collecte séparée » de toutes les batteries. Il sera ensuite recyclé ou démantelé, afin de réduire l'impact sur l'environnement. Les batteries peuvent être dangereuses pour l'environnement et la santé humaine, car elles contiennent des substances dangereuses.

	Assurez-vous d'avoir retiré la batterie avant de changer les accessoires.
	Taillage
	Les batteries peuvent entrer dans le cycle de l'eau si elles sont éliminées de façon inappropriée, ce qui peut être dangereux pour l'écosystème. Ne pas éliminer les batteries usagées comme un déchet municipal non trié.
	Ne pas brûler

2. LISTE DES COMPOSANTS

1. BATTERIE *
2. VOYANT D'ALIMENTATION DE LA BATTERIE
3. BOUTON DE VERROUILLAGE
4. GÂCHETTE À VITESSE VARIABLE
5. TOUCHE ECO
6. ARBRE SUPÉRIEUR
7. POIGNÉE AUXILIAIRE
8. FLASQUE INFÉRIEUR
9. CAPOT DE PROTECTION
10. COUPE FIL
11. TÊTE DE COUPE (TÊTE DE BOSSE)
12. ONGLET RELÂCHE

* Les accessoires reproduits ou décrits ne sont pas tous compris avec le modèle standard livré.

3. CARACTÉRISTIQUES TECHNIQUES

Type **WG185E WG185E.X** (1-désignation des machines, modèle de taille bordure sans fil)

	WG185E WG185E.X **
Tension	40 V \equiv MAX (2x20V MAX) ***
Vitesse a vide nominale	6000/min
Diamètre de coupe pour coupe-herbe	38cm
Diamètre du fil	2.4 mm
Longueur de la ligne	Max.4m (Double sortie)
Poids de la machine (Outil nu)	2.87kg

**X = 1-999 ,A-Z, M1-M9, la seule différence entre ces modèles est que les clients visés sont différents. Il n'y a pas de changement concernant la sécurité.
*** La tension est mesurée à vide. La tension initiale de la batterie atteint un maximum de 20 volts. La tension nominale est de 18 volts.

BATTERIES ET CHARGEURS CONSEILLÉS

Catégorie	Modèle	Capacité
20V Batterie	WA3014	4.0Ah
	WA3644	4.0Ah
20V Chargeur	WA3883	4.0A

Nous recommandons d'acheter tous les accessoires dans le magasin d'acquisition de la machine. Pour plus d'informations, se référer à l'emballage des accessoires. Le personnel du magasin est également là pour vous conseiller.

INFORMATIONS RELATIVES AU BRUIT

Niveau de pression acoustique	$L_{PA} = 78.4$ dB(A)
K_{DA}	3 dB(A)
Niveau de puissance acoustique	$L_{WA} = 92.5$ dB(A)
K_{WA}	3 dB(A)

Porter des protections auditives.



INFORMATIONS RELATIVES AUX VIBRATIONS

Valeur de vibration mesurée	$a_n < 2.5 \text{ m/s}^2$
Incertitude	$K = 1.5 \text{ m/s}^2$

La valeur totale de vibration déclarée peut être utilisée pour comparer un outil à un autre, et peut également être utilisé dans une évaluation préliminaire de l'exposition.

AVERTISSEMENT: La valeur d'émission de vibrations pendant l'utilisation réelle de l'outil électrique peut différer de la valeur déclarée selon la manière dont l'outil est utilisé, selon les exemples suivants et d'autres variations sur la manière dont l'outil est utilisé:

Comment l'outil est utilisé et quels matériaux sont coupés ou percés.

L'outil est en bon état et bien entretenu.

L'utilisation du bon accessoire pour l'outil et

l'assurance qu'il est affûté et en bon état.

La bonne tenue des poignées et, le cas échéant, les accessoires anti-vibrations utilisés.

L'outil est utilisé comme prévu dans sa conception et dans le présent mode d'emploi.

Cet outil peut causer un syndrome des vibrations main-bras s'il n'est pas correctement géré.

AVERTISSEMENT: Pour être précise, une évaluation du niveau d'exposition en conditions réelles d'utilisation doit également tenir compte de toutes les parties du cycle d'utilisation telles que les moments où l'outil est éteint, et ceux où il fonctionne au ralenti mais ne réalise pas réellement de tâche. Ceci peut réduire de manière significative le niveau d'exposition et la durée d'utilisation totale.

Afin de minimiser le risque d'exposition aux vibrations: Utilisez TOUJOURS des burins, des forets et des lames affûtés.

Entretenez cet outil de manière conforme au mode d'emploi et maintenez-le lubrifié (le cas échéant).

Si l'outil doit être utilisé régulièrement, investissez dans des accessoires anti-vibrations.

Planifiez votre travail pour étaler l'utilisation des outils à forte vibration sur plusieurs jours.


4.ASSEMBLAGE ET FONCTIONNEMENT

ACTION	FIGURE
ASSEMBLAGE	

Assemblage de la poignée auxiliaire	Voir Fig. A1,A2,A3
Retrait du capuchon du tube REMARQUE: Avant d'assembler le tube, veuillez d'abord retirer le capuchon de protection du tube sur la machine.	Voir Fig. B1
Assemblage du poteau	Voir Fig. B2
Assemblage du capot protecteur Insérez le support métallique dans la fente du protecteur, puis fixez le protecteur en place à l'aide des vis et d'une clé hexagonale.	Voir Fig. C
Enlever Ou Installer La Batterie REMARQUE: <ul style="list-style-type: none"> • Cette tondeuse ne fonctionnera qu'avec deux batteries installées. Veuillez toujours utiliser les deux mêmes batteries et rechargez-les en même temps. • Lorsque deux batteries sont utilisées avec des ampères-heures ou un niveau de charge différents, la machine fonctionne à la dénomination la plus petite. • Il est recommandé d'utiliser une batterie de 4.0 Ah ou plus pour de meilleures performances et une durée de fonctionnement plus longue. 	Voir Fig. D1, D2
Vérification de l'état de charge de la batterie REMARQUE: La Fig.D3 s'applique uniquement à la batterie avec témoin lumineux de batterie.	Voir Fig. D3
Recharge du pack de batteries REMARQUE: <ul style="list-style-type: none"> • Le pack de batteries est livré non chargé. La batterie doit être complètement chargée avant la première tonte. • Rechargez toujours complètement les deux batteries en même temps. Pour plus d'informations, reportez-vous au manuel du chargeur. 	Voir Fig. D4
Voyant d'alimentation de la batterie sur la machine Voir détails dans la partie ÉTAT DE LA BATTERIE	Voir Fig. D5

FONCTIONNEMENT

Pour commencer

 **AVERTISSEMENT!** La tête de coupe continue de tourner après que le coupe-gazon a été éteint; attendez qu'il soit arrêté pour reposer l'outil.

Appuyez d'abord sur le bouton de verrouillage, puis sur la gâchette pour démarrer la machine.

Vitesse ECO

Pour une durée de fonctionnement plus longue, appuyez sur le bouton ECO et appuyez sur la gâchette, votre machine fonctionnera à basse vitesse.

Taillage

Alimentation brutale

Assemblage et retrait de la tête de coupe

Insérez la clé hexagonale dans le trou et tournez la tête de coupe jusqu'à ce qu'elle s'arrête en position verrouillée. Ensuite, tournez dans le sens contre l'aiguille d'une montre pour le retirer et dans le sens inverse pour l'assembler.

Enroulement de la ligne de coupe
Étape 1 : Retirez le bloc batterie du taille-haie.

Étape 2 : Tournez la tête du taille-haie dans le sens de la flèche afin qu'elle s'aligne avec l'œillet.

Étape 3 : Insérez le fil dans l'œillet (J2) et poussez le fil jusqu'à ce que son extrémité ressorte par l'œillet opposé.

Étape 4 : Tirez sur le fil de l'autre côté jusqu'à ce que des longueurs égales de fil apparaissent des deux côtés de la tête du taille-haie (pas plus de 2 m de chaque côté).

Étape 5 : Tournez la tête pour charger le fil.

NOTE: La bobine doit être enroulée à l'intérieur de la tête de coupe. Les bobines remplies à l'extérieur entraînent inévitablement des problèmes.

LED D'ETAT BATTERIE (Voir Fig. D5)

Avant de démarrer ou après utilisation, appuyez sur le bouton à côté du voyant d'alimentation sur la

Voir Fig. E

Voir Fig. F

Voir Fig. G

Voir Fig. H

Voir Fig. I

Voir Fig. J1, J2, J3


machine pour vérifier la capacité de la batterie. Au cours du fonctionnement, la capacité de la batterie sera indiquée automatiquement par le témoin d'alimentation de la batterie.

L'indicateur détecte et affiche en permanence l'état de la batterie comme suit.

Pour la machine équipée de 2 batteries de puissance différente, le témoin d'alimentation affiche l'état de la batterie la plus basse.

État de l'indicateur d'alimentation de la batterie	État de la batterie
Cinq voyants verts (■ ■ ■ ■ ■) sont allumés.	Les deux batteries sont très chargées.
Deux, trois ou quatre voyants verts sont allumés.	Les deux batteries disposent d'une charge restante. Plus il y a de voyants allumés, plus la capacité de la batterie est grande.
Un seul voyant vert (■ □ □ □ □) est allumé.	Au moins une batterie est épuisée et doit être rechargée.
Aucun voyant n'est allumé.	Au moins une batterie n'est pas complètement installée ou la batterie est défectueuse.
Un seul voyant clignote deux fois par cycle.	Au moins une batterie est déchargée excessivement (veuillez vous reporter à l'état de charge de la batterie), veuillez recharger les deux batteries à la fois avant de les réutiliser ou de les ranger.
Un seul voyant clignote trois fois par cycle.	Au moins une batterie est chaude, attendez qu'elle refroidisse avant de redémarrer.
Un seul voyant clignote quatre fois par cycle.	La machine est surchargée. Retirez l'outil de la zone de coupe et réessayez.

FONCTIONNEMENT

 **AVERTISSEMENT!** Le chargeur et la batterie ont été spécialement conçus pour fonctionner ensemble, ne pas utiliser d'autres dispositifs. Ne jamais insérer d'objets métalliques dans le chargeur ou dans les connexions de la batterie, cela pourrait provoquer un court circuit ou

être une source de danger.

1. Système d'alimentation brutale linéaire (Voir Fig. H)

La tondeuse est équipée d'un système d'alimentation brutale linéaire. Il suffit de cogner la tête de coupe lorsque la machine est en marche, une nouvelle ligne sortira.

2. Enroulement de la ligne de coupe (WA0201) (Voir Fig. J1, J2)

Insérez la ligne de remplacement dans l'œillet et faites-la passer de l'autre côté. Assurez-vous que les deux extrémités de la ligne sont égales à chaque extrémité de la tête de coupe (recommandé 2 m) et coupez la ligne. Tournez le cadran dans le sens des aiguilles d'une montre pour enrouler la ligne autour de la bobine jusqu'à ce qu'il reste environ 19 cm de chaque côté.

RANGEMENT



Retirez toujours la batterie de votre taille-bordures après chaque utilisation. Pour ranger votre coupe-herbe

Le coupe-herbe est muni d'une fente de suspension pour l'accrocher au mur. (Voir Fig. K)
Gardez-le dans un endroit sec où le coupe-herbe et la batterie ne risquent pas d'être endommagés.

5. ENTRETIEN



Retirez toujours la batterie de votre taille-bordures après chaque utilisation. Vérifiez toujours le produit avant son utilisation pour tout signe d'endommagement.

Retirer la fiche de la prise avant de procéder à un réglage, une réparation ou un entretien.
L'outil motorisé ne requiert pas de graissage ou d'entretien particulier.
Il n'y a pas de pièces réparables par l'utilisateur dans cet outil. Ne jamais utiliser d'eau ou de nettoyants chimiques pour nettoyer l'outil. Nettoyer avec un chiffon sec. Toujours conserver l'outil motorisé dans un endroit sec. Maintenir les fentes de ventilation du moteur propres. Empêcher que les commandes de marche soient couvertes de poussière.

6. PROTECTION DE L'ENVIRONNEMENT



Les déchets d'équipements électriques et électroniques ne doivent pas être déposés avec les ordures ménagères. Ils sont collectés pour être recyclés dans des centres spécialisés. Consultez les autorités locales ou votre revendeur pour obtenir

des renseignements sur l'organisation de la collecte.

7. DECLARATION DE CONFORMITE

Nous,
Positec Germany GmbH
Postfach 32 02 16, 50796 Cologne, Germany

Déclarons ce produit
Description **Taille bordure sans fil**
Type **WG185E WG185E.X (1-désignation des machines, modèle de taille bordure sans fil)**
Fonction **coupe de gazon et autre végétation légère, et pour la taille de bordures de gazon**

Est conforme aux directives suivantes,
2006/42/EC, 2014/30/EU, 2011/65/EU & (EU) 2015/863, 2000/14/EC amendée par 2005/88/EC

2000/14/EC amendée par 2005/88/EC:
- Procédure d'évaluation de la conformité conformément à **Annex VI**
- Niveau de pression acoustique **92.5 dB (A)**
- Niveau d'intensité acoustique **96 dB (A)**

Notification réalisée par
Nom: Intertek Deutschland GmbH (notifizierte Stelle 0905)
Adresse: Stangenstraße 1, 70771 LEINFELDEN-ECHTERDINGEN

Et conforme aux normes,
EN 60335-1, EN 50636-2-91, EN 62233, EN ISO 3744, EN IEC 55014-1, EN IEC 55014-2, EN IEC 63000

La personne autorisée à compiler le dossier technique,

Nom Marcel Filz
Adresse Positec Germany GmbH
Postfach 32 02 16, 50796 Cologne, Germany



2023/09/12
Allen Ding
Ingénieur en chef adjoint, Essais & Certification
Positec Technology (China) Co., Ltd
18, Dongwang Road, Suzhou Industrial
Park, Jiangsu 215123, P. R. China

8.GUIDE DE DÉPANNAGE

Le tableau suivant présente des problèmes et des actions que vous pouvez effectuer si votre machine ne fonctionne pas correctement.



Attention: Mettez la machine hors tension et retirez la batterie avant tout dépannage.

Problèmes	Causes possibles	Solution
Le coupe-bordures ne fonctionne pas	La batterie est déchargée. La batterie est trop chaude / trop froide. Le moteur est cassé. Le câblage interne de la machine est endommagé.	Rechargez la batterie; reportez-vous au manuel du chargeur. Laissez refroidir / chauffer. Contactez le service après-vente. Contactez le service après-vente.
Le coupe-bordures fonctionne de manière intermittente.	Le moteur est cassé La batterie n'est pas entièrement chargée. L'interrupteur marche/arrêt est défectueux.	Contactez le service après-vente. Rechargez la batterie. Contactez le service après-vente.
Vibrations/ Bruit excessifs	La machine est défectueuse. La bobine de fil n'est pas correctement enroulée.	Contactez le service après-vente. Enroulez le fil. Reportez-vous au paragraphe " Pour installer la bobine de fil et l'assemblage de la ligne »
La durée de coupe avec une charge de la batterie est trop courte	La batterie n'a pas été utilisée durant une longue période ou a été peu chargée. L'herbe est trop haute. La batterie est défectueuse.	Rechargez entièrement la batterie; reportez-vous au manuel du chargeur. Coupez par étapes. Remplacez la batterie.
La machine ne coupe pas	Le fil est cassé. La batterie n'est pas complètement chargée. Le moteur est cassé (la vitesse est trop faible). Des herbes sont emmêlées autour de la tête de coupe.	Remplacez le fil. Rechargez la batterie; reportez-vous au manuel du chargeur. Contactez le service après-vente. Enlevez les herbes.
L'indicateur de la batterie clignote continuellement. La procédure de charge n'est pas possible.	La batterie n'est pas (correctement) insérée. Les bornes de la batterie sont sales. La batterie est défectueuse	Insérez correctement la batterie dans le chargeur. Nettoyez les bornes de la batterie ou remplacez-la. Remplacez la batterie.
L'indicateur de charge de la ne s'allume pas.	La prise du chargeur n'est pas branchée (incorrectement). La prise d'alimentation, le câble ou le chargeur est défectueux.	Insérez (complètement) la prise dans la prise secteur. Vérifiez la tension nominale; faites vérifier le chargeur par le service après-vente agréé.

SOMMARIO

1. SICUREZZA DEL PRODOTTO
2. ELEMENTI DELL'APPARECCHIO
3. DATI TECNICI
4. ISTRUZIONI SUL FUNZIONAMENTO
5. MANUTENZIONE
6. TUTELA AMBIENTALE
7. DICHIARAZIONE DI CONFORMITÀ
8. SOLUZIONE DI PROBLEMI

Gli utenti possono consultare le istruzioni in formato digitale sul sito <https://eu.worx.com>.

1. SICUREZZA DEL PRODOTTO AVVISI GENERALI PER LA SICUREZZA



ATTENZIONE! È assolutamente necessario leggere attentamente tutte le istruzioni. *Eventuali errori nell'adempimento delle*

istruzioni qui di seguito riportate potranno causare scosse elettriche, incendi e/o lesioni gravi.

Conservare tutti gli avvisi e le istruzioni per poterle consultare quando necessario.

Il dispositivo deve essere utilizzato unicamente con l'unità di alimentazione fornita in dotazione.

IMPORTANTE LEGGERE ATTENTAMENTE PRIMA DELL'USO CONSERVARE PER RIFERIMENTO FUTURO

Prescrizioni di sicurezza

1. ADDESTRAMENTO

- a) Leggere con attenzione le istruzioni. Acquisire familiarità con i comandi e il corretto funzionamento dell'apparecchio.
- b) Mai consentire l'uso della macchina a bambini, soggetti con capacità fisiche, sensoriali o mentali limitate, senza esperienza o competenze specifiche o ignari delle presenti istruzioni. Le normative locali potrebbero prescrivere specifici limiti di età per l'operatore.
- c) Ricordare che l'operatore o l'utente sono responsabili di incidenti o rischi che dovessero verificarsi ai danni di terzi o delle proprietà.

2. OPERAZIONI PRELIMINARI

- a) Prima dell'uso, ispezionare sempre visivamente la macchina in cerca di protezioni danneggiate, mancanti o mal posizionate.
- b) Non usare il dell'apparecchio in presenza di altre persone, in

particolare modo di bambini o di animali domestici.

3. FUNZIONAMENTO

- a) Indossare sempre occhiali protettivi, pantaloni lunghi e scarpe antinfortunistiche quando si utilizza la macchina.
- b) Evitare di utilizzare la macchina in caso di condizioni meteorologiche avverse, specialmente se sussiste il rischio di fulmini.
- c) Usare il dell'apparecchio solo nelle ore diurne o in buone condizioni di luce artificiale.
- d) Mai utilizzare la macchina in presenza di protezioni danneggiate o mal posizionate.
- e) Accendere il motore solo quando mani e piedi sono a debita distanza dagli strumenti di taglio.
- f) Scollegare sempre la macchina dall'alimentazione elettrica (es. rimuovere il pacco batteria dalla macchina)
 - 1) quando la macchina viene lasciata incustodita;
 - 2) prima di rimuovere un'eventuale ostruzione;
 - 3) prima di controllare, pulire o effettuare lavori sulla apparecchiatura;
 - 4) dopo aver individuato un

corpo estraneo;

- 5) quando la macchina inizia a vibrare in modo anomalo.
- g) Prestare la massima attenzione al fine di evitare infortuni a mani e piedi a causa degli strumenti di taglio.
- h) Assicurarsi sempre che le prese d'aria non siano ostruite.
- i) Non utilizzare mai elementi di taglio metallici.
- j) Sui terreni in pendenza, è necessario mantenere sempre la stabilità.
- k) Camminare, non correre mai.
- l) Mai sbilanciarsi e mantenere sempre il corretto equilibrio.
- m) Mai toccare parti pericolose in movimento prima che la macchina sia scollegata dall'alimentazione e le parti mobili si siano arrestate del tutto.

4. MANUTENZIONE E CONSERVAZIONE

- a) Scollegare la macchina dall'alimentazione elettrica (es. rimuovere il pacco batteria dalla macchina) prima di svolgere interventi di manutenzione o pulizia.
- b) Utilizzare solo i ricambi e gli accessori raccomandati dal produttore.
- c) Sottoporre regolarmente

la macchina a ispezioni e manutenzione. Fare riparare la macchina solo a personale autorizzato.

d) Quando non viene usato, riporre il dispositivo fuori dalla portata dei bambini.

SICUREZZA DELLA BATTERIA ISTRUZIONI PER LA SICUREZZA DEL PACCO BATTERIA

a) Non smontare, aprire o strappare le cellule secondarie o il pacco batteria.

b) Non cortocircuitare un pacco batteria. Non conservare un pacco batteria disordinatamente in una scatola o un cassetto in cui potrebbero cortocircuitarsi tra essi o essere cortocircuitati da altri oggetti metallici.

Quando il pacco batteria non è in uso, tenerlo lontano da altri oggetti metallici come graffette, monete, chiavi, chiodi, viti e altri piccoli oggetti metallici, potrebbe avverarsi un collegamento tra i due terminali. Collegare i terminali della batteria potrebbe causare incendi o ustioni.

c) Non esporre il pacco batteria a calore o fuoco. Evitare di conservarli alla luce diretta del sole.

d) Non sottoporre il pacco batteria a scosse meccaniche.

e) In caso di perdite da una cellula, evitare che il liquido entri in contatto con la pelle o gli occhi. In caso di contatto, lavare l'area interessata con abbondante acqua e consultare un medico.

f) Tenere le cellule e il pacco batteria puliti e asciutti.

g) Pulire i terminali delle cellule e del pacco batteria con un panno pulito e asciutto nel caso in cui si sporchino.

h) Il pacco batteria deve essere caricato prima dell'uso. Utilizzare sempre il caricatore corretto e consultare le istruzioni.


i) Non lasciare un pacco batteria in carica se non in uso.









j) Dopo lunghi periodi di conservazione, potrebbe essere necessario caricare e scaricare le cellule o il pacco batteria diverse volte per ottenere le massime

prestazioni.

- k) Ricaricare solo con il caricatore specificato da Worx. Non utilizzare caricatori diversi da quelli forniti per l'uso specifico con l'apparecchiatura.**
- l) Non utilizzare un pacco batteria non progettato per l'uso con l'apparecchiatura.**
- m) Tenere il pacco batteria fuori dalla portata dei bambini.**
- n) Conservare i documenti originali del prodotto per riferimenti futuri.**
- o) Rimuovere la batteria dall'apparecchiatura, se non in uso.**
- p) Smaltire adeguatamente.**
- q) Non mischiare batterie di diverse marche, capacità, dimensioni o tipologia nello stesso dispositivo.**
- r) Tenere la batteria lontano da microonde e alta pressione.**

SIMBOLI

	Leggere le istruzioni
---	-----------------------

	Tenere gli astanti a distanza di sicurezza
	Indossare protezioni per occhi e orecchie
	Non esporre alla pioggia
	I prodotti elettrici non possono essere gettati tra i rifiuti domestici. L'apparecchio da rottamare deve essere portato al centro di riciclaggio per un corretto trattamento. Controllare con le autorità locali o con il rivenditore per localizzare il centro di riciclaggio più vicino.
	Batteria agli ioni di litio (Li-Ion). Questo prodotto è stato contrassegnato con un simbolo riguardante la raccolta differenziata per tutti i pacchi batteria. La batteria sarà poi riciclata o demolita allo scopo di ridurre l'impatto ambientale. I pacchi batteria possono costituire un pericolo per l'ambiente e per la salute umana in quanto contengono sostanze pericolose.
	Assicurarsi che la batteria venga rimossa prima di sostituire gli accessori.
	Tagliare
	Non bruciare



Se smaltite in maniera scorretta, le batterie potrebbero entrare nel ciclo dell'acqua, con conseguenti rischi per l'ambiente. Non smaltire le batterie esaurite nei rifiuti generici.

2. ELEMENTI DELL'APPARECCHIO

1. **BATTERIA ***
2. **INDICATORE DI ALIMENTAZIONE DELLA BATTERIA**
3. **PULSANTE DI BLOCCAGGIO**
4. **AZIONAMENTO A VELOCITÀ VARIABILE**
5. **PULSANTE ECO**
6. **ALBERO SUPERIORE**
7. **IMPUGNATURA SECONDARIA**
8. **GIUNTO DI BLOCCAGGIO DELL'ANGOLO INFERIORE**
9. **PROTEZIONE**
10. **LINEA DI TAGLIO**
11. **TESTA DI TAGLIO (TESTA)**
12. **SCHEDA DI RILASCIO**

* Accessori illustrati o descritti non fanno necessariamente parte del volume di consegna.

3. DATI TECNICI

Tipo **WG185E WG185E.X** (1-designazione della macchina, rappresentante del Decespugliatore senza filo)

	WG185E WG185E.X**
Voltaggio	40 V \equiv MAX (2x20V MAX) ***
Velocità a vuoto	6000/min
Diametro di taglio per tagliaerba	38cm
Diametro del filo	2.4 mm

Longueur de la ligne	Max. 4m (Doppia Uscita)
Peso (Utensile nudo)	2.87kg

** X = 1-999, A-Z, M1-M9 solo per clienti diversi, non ci sono cambiamenti rilevanti sicuri tra questi modelli.

*** Voltaggio misurato senza carico. Il voltaggio iniziale della batteria raggiunge un massimo di 20 volt. Il voltaggio nominale è di 18 volt.

BATTERIE E CARICABATTERIE CONSIGLIATI

Categoria	Modello	Capacità
20V Batteria	WA3014	4.0Ah
	WA3644	4.0Ah
20V Caricabatteria	WA3883	4.0A

Si raccomanda di acquistare tutti gli accessori nello stesso negozio in cui è stato acquistato l'attrezzo. Fare riferimento alla confezione dell'accessorio per altri dettagli. Il personale del negozio può aiutarvi e consigliarvi.

39

INFORMAZIONI SUL RUMORE

Pressione acustica ponderata	$L_{pA} = 78.4$ dB(A)
K_{pA}	3 dB(A)
Potenza acustica ponderata	$L_{WA} = 92.5$ dB(A)
K_{WA}	3 dB(A)

Indossare protezione per le orecchie.



INFORMAZIONI SULLA VIBRAZIONE

Vibrazione ponderata tipica	$a_n < 2.5$ m/s ²
Incertezza	$K = 1.5$ m/s ²

Il valore totale dichiarato delle vibrazioni può essere utilizzato per confrontare un utensile con un altro e in una valutazione di esposizione preliminare.



AVVERTENZA: Il valore delle vibrazioni emesse durante il reale utilizzo dello strumento può differire dal valore dichiarato in base ai modi con cui viene usato lo strumento, ai seguenti esempi e ad altre variabili:

Come viene usato l'apparecchio e i materiali tagliati o forati.

Le condizioni e la buona manutenzione dello strumento.

L'uso dell'accessorio corretto per il taglio e la sua affilatura, nonché le sue buone condizioni.

La stretta sull'impugnatura e l'eventuale utilizzo di accessori antivibrazione.

L'adeguatezza dell'utilizzo dell'utensile rispetto a quanto previsto.

Questo strumento potrebbe causare la sindrome da vibrazioni mano-braccio se il suo utilizzo non viene gestito correttamente.



AVVERTENZA: Per essere precisi, una stima del livello di esposizione nelle attuali condizioni di utilizzo dovrebbe anche tenere conto di tutte le parti del ciclo operativo, come le volte in cui lo strumento viene spento e il tempo in cui viene lasciato girare a vuoto senza realmente fare il suo lavoro. Questo potrebbe ridurre significativamente il livello di esposizione sul periodo di lavoro totale.

Un aiuto a minimizzare il proprio rischio di esposizione alle vibrazioni.

USARE sempre scalpelli, trapani e lame affilati.

Conservare questo strumento sempre in conformità a queste istruzioni e mantenerlo ben lubrificato (dove appropriato).

Se lo strumento deve essere usato regolarmente, investire in accessori antivibrazione.

Pianificare il programma di lavoro in modo da suddividere i lavori che implicano le maggiori vibrazioni nell'arco di più giorni.

4. MONTAGGIO E FUNZIONAMENTO

AZIONE	FIGURA
MONTAGGIO	
Montare l'Impugnatura Ausiliaria	Vedi Fig. A1,A2,A3
Rimozione del terminale del tubo NOTA: Prima di assemblare l'asta, rimuovere la protezione del terminale del tubo sulla macchina.	Vedi Fig. B1
Assemblaggio del palo	Vedi Fig. B2

Montaggio della protezione Inserire la staffa in metallo nella posizione della protezione di sicurezza, quindi fissare la protezione in posizione utilizzando le viti e la chiave esagonale.	Vedi Fig. C
Rimozione E Installazione Dell'Unità Batteria NOTA: • Questo rasaerba funziona solo se sono installate entrambe le batterie. Usare sempre le stesse due batterie e caricarle contemporaneamente. • Quando si utilizzano due batterie con diverse ore amp o livello di carica, la macchina funzionerà con il minimo comune denominatore. • Si consiglia di utilizzare un pacco batteria da 4.0 Ah o superiore per prestazioni migliori e maggiore durata.	Vedi Fig. D1, D2
Controllo dello stato di carica della batteria NOTA: la Fig. D3 si riferisce solamente alla batteria con indicatore luminoso.	Vedi Fig. D3
Caricamento del pacco batteria NOTA: • il pacco batteria viene spedito scarico. La batteria deve essere completamente carica prima del primo taglio. • Caricare sempre completamente le due batterie nello stesso momento. È possibile trovare maggiori dettagli nel manuale del caricatore.	Vedi Fig. D4
Indicatore Alimentazione batteria sulla macchia Leggere i dettagli nella sezione STATO DELLA BATTERIA	Vedi Fig. D5
FUNZIONAMENTO	

<p>Per avviare</p> <p>AVVERTENZA! La testina di taglio continua a girare dopo che il decespugliatore è stato spento; attendere finché si è fermata e poi appoggiare l'attrezzo.</p> <p>Premere prima il pulsante di bloccaggio, quindi premere il grilletto interruttore per avviare la macchina.</p>	Vedi Fig. E
<p>Velocità ECO</p> <p>Per un tempo operativo più lungo, premere il pulsante ECO e premere il grilletto interruttore, quindi la macchina funzionerà a bassa velocità.</p>	Vedi Fig.F
Trimmen	Vedi Fig.G
Stoßvorschub	Vedi Fig.H
<p>Montage und Demontage des Trimmerkopfes</p> <p>Führen Sie einen Inbusschlüssel in das Loch ein und drehen Sie den Trimmerkopf bis zum Anschlag in der verriegelten Position. Entfernen Sie es dann, indem Sie es gegen den Uhrzeigersinn drehen, und bauen Sie es dann zusammen, indem Sie es im Uhrzeigersinn drehen.</p>	Vedi Fig.I
<p>Die Trimmerleine aufwickeln</p> <p>Passaggio 1: Rimuovere il pacco batteria dal decespugliatore.</p> <p>Passaggio 2: Ruotare la testina del decespugliatore nella direzione della freccia, in modo che si allinei con l'occhiello.</p> <p>Passaggio 3: Inserire il filo nell'occhiello (J2) e spingere il filo fino a quando l'estremità esce dall'occhiello opposto.</p> <p>Passaggio 4: Tirare il filo dall'altro lato, fino a quando il filo risulta della stessa lunghezza su entrambi i lati della testina del decespugliatore (non più di 2 metri su ciascun lato). Passaggio 5: Ruotare la testina per caricare il filo.</p> <p>NOTE: La bobina deve essere avvolta durante l'installazione nella testina del decespugliatore. Le bobine caricate esternamente comportano sempre dei malfunzionamenti.</p>	Vedi Fig. J1,J2,J3

LED DI STATO DELLA BATTERIA (Vedi Fig. D5)

Prima dell'avvio e dell'uso premere il pulsante accanto all'indicatore del livello di carica delle batterie sulla sega per verificare la loro capacità. Durante il funzionamento la capacità delle batterie sarà indicata in automatico dall'indicatore del livello di carica.

L'indicatore rileva e visualizza costantemente la condizione delle batterie come descritto di seguito. Per gli utensili dotati di 2 batterie con potenze diverse, l'indicatore del livello di carica mostra la condizione della batteria che ha la potenza inferiore tra le due.

Stato dell'indicatore di carica	Condizione della batteria
Cinque spie verdi (■ ■ ■ ■ ■) accese.	Le due batterie sono completamente cariche.
Due, tre o quattro spie verdi accese.	Le due batterie sono ancora cariche. Più spie sono accese, maggiore è la carica residua.
Solo una spia verde (■ □ □ □ □) accesa.	Almeno una delle batterie è scarica e deve essere ricaricata.
Nessuna spia accesa.	Almeno una delle batterie non è correttamente installata o è difettosa.
Una sola spia lampeggia due volte per ciclo.	Almeno una delle batterie è troppo scarica (consultare lo stato di carica della batteria): ricaricare le due batterie insieme prima dell'uso o del rimessaggio.
Una sola spia lampeggia tre volte per ciclo.	Almeno una delle batterie è surriscaldata: attendere il raffreddamento prima di ricominciare.
Una sola spia lampeggia quattro volte per ciclo.	La macchina è in sovraccarico. Rimuovere il tagliasiepi dall'area di taglio e riprovare.

ISTRUZIONI OPERATIVE

AVVERTENZA! Il caricabatteria e il gruppo batteria sono progettati specificamente per funzionare insieme; non tentare di utilizzare altri dispositivi. Non inserire o far entrare oggetti metallici nelle connessioni del caricabatteria o del gruppo batteria; può verificarsi un guasto elettrico pericoloso.

1. Sistema di alimentazione in bump-linea (Vedi Fig.H)

Il tagliasièpi è dotato di un sistema di bump-linea. Basta urtare la testa del tagliasièpi mentre la macchina è in funzione, la nuova linea uscirà.

2. Avvolgimento della linea di tagliasièpi (WA0201) (Vedi Fig. J1,J2)

Inserire la linea di sostituzione attraverso l'occhiello e alimentarla attraverso l'altro lato. Assicurarsi che entrambe le estremità della linea siano uniformi su ciascuna estremità della testa del tagliasièpi (consigliato 2 m) e tagliare la linea. Ruotare il quadrante in senso orario per avvolgere la linea attorno alla bobina fino a quando rimangono circa 19 cm su entrambi i lati.

CONSERVAZIONE



Rimuovere sempre il pacco batterie dal tosaerba dopo l'uso.

Conservazione del tagliaerba

Il tagliaerba è dotato di una scanalatura che consente di riporlo appeso alla parete. (Vedi Fig.K)

Conservare in un luogo asciutto in cui il tagliaerba e le batterie possano essere protetti da possibili danni.

5.MANUTENZIONE



Rimuovere sempre il pacco batterie dal tosaerba dopo l'uso.

Prima dell'uso controllare sempre che il prodotto non sia danneggiato.

Rimuovere la spina dalla presa di corrente prima di usare.

L'attrezzo non richiede di lubrificazione o manutenzione aggiuntiva. All'interno dell'attrezzo non ci sono parti riparabili da parte dell'utente.

Non usare mai acqua o detergenti chimici per pulire l'attrezzo. Pulire con un panno asciutto.

Immagazzinare sempre gli attrezzi elettrici in luoghi asciutti. Tenere pulite le aperture di ventilazione del motore. Tenere puliti dalla polvere tutti i controlli operativi.

6.TUTELA AMBIENTALE



I prodotti elettrici non possono essere gettati tra i rifiuti domestici. L'apparecchio da rottamare deve essere portato al centro di riciclaggio per un corretto trattamento. Controllare con le autorità locali o con il rivenditore per localizzare il centro di riciclaggio più vicino.

7.DICHIARAZIONE DI CONFORMITÀ

Nous,
Positec Germany GmbH
Postfach 32 02 16, 50796 Cologne, Germany

Dichiara che l'apparecchio,
Descrizione **Decespugliatore senza filo**
Tipo **WG185E WG185E.X (1-designazione della macchina, rappresentante del Decespugliatore senza filo)**
Funzione **Taglio dell'erba e vegetazione morbida simile e per la potatura di bordi erbosi**

È conforme alle seguenti direttive,
2006/42/EC, 2014/30/EU, 2011/65/EU&(EU)2015/863, 2000/14/EC modificata dalla 2005/88/EC

2000/14/EC modificata dalla 2005/88/EC:
- Procedura di conformità come da **Annex VI**
- Potenza acustica pesata **92.5 dB (A)**
- Massima potenza di rumore garantita **96 dB (A)**

L'organismo competente

Nome: Intertek Deutschland GmbH (notifizierte Stelle 0905)

Indirizzo: Stangenstraße 1, 70771 LEINFELDEN-ECHTERDINGEN

conforme a,
EN 60335-1, EN 50636-2-91, EN 62233, EN ISO 3744, EN IEC 55014-1, EN IEC 55014-2, EN IEC 63000

Il responsabile autorizzato alla compilazione della documentazione tecnica,

Name Marcel Filz
Address Positec Germany GmbH
Postfach 32 02 16, 50796 Cologne, Germany



2023/09/12
Allen Ding
Vice capo ingegnere, testing e certificazione
Positec Technology (China) Co., Ltd
18, Dongwang Road, Suzhou Industrial
Park, Jiangsu 215123, P.R. China

8.RISOLUZIONE DEI PROBLEMI

La tabella seguente elenca possibili problemi e azioni che potete intraprendere nel caso in cui la macchina non funzioni correttamente.



ATTENZIONE: spegnere la macchina e rimuovere la batteria prima di procedere alla risoluzione dei problemi.

Problema	Possibile Causa	Soluzione
Il tagliaerba non funziona.	La batteria è scarica. La batteria è troppo calda o fredda. Il motore è rotto. Il sistema elettrico della macchina è danneggiato.	Ricaricare la batteria; È possibile trovare maggiori dettagli nel manuale del caricatore. Permettere alla batteria di riscaldarsi / raffreddarsi. Contattare il Servizio Clienti. Contattare il Servizio Clienti.
Il tosaerba funziona in modo intermittente	Il motore è rotto. La batteria non è completamente carica. Il pulsante On/Off è difettoso.	Contattare il Servizio Clienti. Ricaricare la batteria. Contattare il Servizio Clienti.
Rumore/vibrazioni eccessivi.	La macchina è difettosa. Il filo della testina non è avvolto correttamente.	Contattare il Servizio Clienti. Riavvolgere il filo. Vedere "Montaggio del rocchetto e del filo."
Tempo di taglio per ogni carica della batteria troppo corto.	La batteria non è stata utilizzata per un lungo periodo oppure è stata caricata per un breve periodo. L'erba è troppo alta. La batteria è difettosa.	Ricaricare la batteria; È possibile trovare maggiori dettagli nel manuale del caricatore. Tagliare l'erba poco per volta. Sostituire la batteria.
La macchina non taglia.	Il filo è rotto. La batteria non è completamente carica. Il motore è rotto (la velocità è troppo bassa). Erba impigliata attorno alla testina di taglio.	Sostituire il filo. Ricaricare la batteria; È possibile trovare maggiori dettagli nel manuale del caricatore. Contattare il Servizio Clienti. Rimuovere l'erba.
L'indicatore di carica della batteria lampeggia continuamente. Non è possibile caricare la batteria.	La batteria non è inserita (correttamente). I contatti della batteria sono sporchi. La batteria è difettosa.	Inserire correttamente la batteria nel caricabatteria. Pulire i contatti della batteria o sostituire la batteria. Sostituire la batteria.
L'indicatore di carica della batteria non si illumina.	La presa del caricabatteria non è inserita (correttamente). Presa, spina o caricabatteria difettosi.	Inserire (completamente) la spina nella presa di rete. Controllare la tensione di rete; far controllare il caricabatteria dal servizio clienti.

ÍNDICE

1. SEGURIDAD DEL PRODUCTO
2. LISTA DE COMPONENTES
3. CARACTERÍSTICAS TÉCNICAS
4. INSTRUCCIONES DE FUNCIONAMIENTO
5. MANTENIMIENTO
6. PROTECCIÓN AMBIENTAL
7. DECLARACIÓN DE CONFORMIDAD
8. SOLUCIÓN DE PROBLEMAS

Los usuarios pueden consultar las instrucciones electrónicas en <https://eu.worx.com>.

1. SEGURIDAD DEL PRODUCTO ADVERTENCIA DE SEGURIDAD GENERALES



Advertencia Leer todas las instrucciones. *Si no se respetan las instrucciones, existe un riesgo de descargas eléctricas, de incendio y/o de graves heridas.*

Si no se respetan las instrucciones, existe un riesgo de descargas eléctricas, de incendio y/o de graves heridas.

Conserve todas las advertencias e instrucciones para futuras consultas.

El aparato únicamente debe utilizarse con la fuente de alimentación suministrada.

**IMPORTANTE
LEER DETENIDAMENTE
ANTES DE UTILIZAR LA
HERRAMIENTA
CONSERVAR PARA**

REFERENCIA FUTURA

Prácticas de seguridad operative

1. Familiarización

- a) Lea cuidadosamente las instrucciones. Familiarícese con los controles y el uso apropiado de la herramienta.
- b) No permita nunca que utilicen la máquina niños, personas con limitaciones físicas, sensoriales o intelectuales o que no posean la experiencia o los conocimientos necesarios, ni personas que no estén familiarizadas con las presentes instrucciones; la reglamentación local podría limitar la edad del personal operativo.
- c) Recuerde que el usuario u operario es el responsable de los accidentes o riesgos a los que se sometan otras personas o propiedades.

2. Preparación

- a) Antes de utilizar la máquina, inspecciónela visualmente para asegurarse de que las protecciones no estén deterioradas, ausentes o mal colocadas.
- b) Nunca utilice la máquina mientras otras personas,

especialmente niños o animales domésticos se encuentran en las proximidades.

3. Funcionamiento

- a) Utilice protección para los ojos, pantalones largos y calzado reforzado siempre que trabaje en la máquina.
- b) No utilice la máquina en condiciones meteorológicas adversas, especialmente si existe riesgo de relámpagos.
- c) Trabaje únicamente de día o con buena luz artificial.
- d) No utilice la máquina si las protecciones están deterioradas o desmontadas.
- e) El motor solo debe encenderse después de comprobar que las manos y los pies estén suficientemente alejados de los mecanismos de corte.
- f) Desconecte la máquina de la fuente de alimentación (p.ej., retire la batería de la máquina) siempre en los siguientes casos:
 - 1) Siempre que la máquina se quede sin vigilancia;
 - 2) antes de eliminar una obstrucción;
 - 3) antes de realizar comprobaciones,

- operaciones de limpieza o trabajar con la máquina;
- 4) después de chocar con un objeto extraño;
- 5) Si la máquina empieza a vibrar de forma anómala.
- g) Tenga mucho cuidado de no hacerse daño en las manos y los pies con los mecanismos de corte.
- h) Asegúrese siempre de que las aberturas de ventilación se encuentren libres de ruinas.
- i) Nunca utilice elementos metálicos de corte.
- j) Asegúrese de no perder el equilibrio en las pendientes.
- k) Camine, no corra.
- l) No intente llegar más lejos de lo posible y mantenga el equilibrio en todo momento.
- m) No toque ninguna pieza móvil que constituya un peligro hasta que la máquina se haya desconectado de la red eléctrica y todas las piezas móviles estén completamente quietas.

4. Mantenimiento y almacenamiento

- a) Antes de empezar cualquier trabajo de mantenimiento o limpieza, desconecte la máquina de la fuente de alimentación (p.ej., retire la

- batería de la máquina)
- b) Utilice únicamente las piezas de repuesto y los accesorios recomendados por el fabricante.
 - c) La máquina se debe inspeccionar y mantener de manera periódica. Todas las reparaciones de la máquina deben encargarse a un especialista autorizado.
 - d) Mientras no se encuentre en uso, almacene la máquina fuera del alcance de los niños.

ADVERTENCIAS DE SEGURIDAD PARA LA BATERÍA

- a) **No desmonte, abra o destruya las pilas o las baterías recargables.**
- b) **No provoque un cortocircuito en la batería. No almacene las baterías de forma descuidada en una caja o cajón donde podría provocar un cortocircuito entre ellas o mediante otros objetos metálicos.** Cuando la batería no esté siendo utilizada, manténgala alejada de objetos metálicos, como clips de papel, monedas, llaves, clavos, tornillos u otros objetos metálicos pequeños,

que pueden posibilitar la conexión de un borne con otro. Al provocar un cortocircuito con los bornes de la batería se pueden sufrir quemaduras o generar un incendio.

- c) **No exponga las baterías al calor o al fuego. No las guarde expuestas directamente al sol.**
- d) **No exponga las baterías a impactos mecánicos.**
- e) **En caso de que la batería tenga fugas de líquido, no permita que el líquido entre en contacto con la piel o los ojos. Si se produce el contacto, lave la zona afectada con grandes cantidades de agua y acuda a un médico.**
- g) **Mantenga las baterías limpias y secas.**
- h) **Limpie los bornes de la batería con un paño limpio si se ensucian.**
- i) **Cargue la batería antes de utilizarla. Consulte siempre estas instrucciones y aplique el procedimiento de carga adecuado.**
- j) **No deje la batería cargándose durante prolongados períodos**

de tiempo cuando no se utilice.

k) Después de prolongados períodos de almacenamiento, puede que sea necesario cargar y descargar la batería varias veces para obtener el máximo rendimiento.

n) Recargue solo con el cargador indicado por Worx. No utilice ningún otro cargador que no sea el específicamente proporcionado para el uso con este equipo.

o) No utilice ninguna batería distinta a la diseñada para utilizarse con el aparato.

p) Mantenga la batería fuera del alcance de los niños.

q) Conserve la documentación original del producto por si tuviera que consultarla en otro momento.

r) Extraiga la batería del aparato cuando no lo utilice.

s) Deshágase del producto correctamente.

t) No se deben mezclar pilas de diferentes fabricantes, capacidad, tamaño o tipo en un mismo dispositivo.

r) Mantener la batería lejos

de microondas y alta presión.

SÍMBOLOS



Lea el manual



Mantenga alejados a los visitantes.



Utilice protección para los ojos y para los oídos



Evite cualquier exposición a la lluvia



Los residuos de equipamientos eléctricos y electrónicos no deben depositarse con las basuras domésticas. Se recogen para reciclarse en centros especializados. Consulte las autoridades locales o su distribuidor para obtener información sobre la organización de la recogida.






Li-Ion



Batería de iones de litio. Este producto tiene una marca que lo designa para la recogida selectiva, junto con otras pilas y baterías. Una vez recogido, se reciclará o se desmontará con el fin de reducir el impacto en el medioambiente. Las baterías contienen sustancias peligrosas y pueden ser perjudiciales para el medioambiente y para la salud de las personas.



Compruebe que se haya extraído la batería antes de cambiar los accesorios.

	Recortar
	No incinerar
	Si no se eliminan correctamente, las baterías podrían interferir en el ciclo del agua, una situación que pondría en riesgo el ecosistema. Por este motivo, las baterías no deben eliminarse junto con los residuos municipales sin clasificar.

2. LISTA DE COMPONENTES

1. PAQUETE DE BATERÍA*
2. INDICADOR DE LA BATERÍA
3. BOTÓN DE BLOQUEO
4. GATILLO DE VELOCIDAD VARIABLE
5. BOTÓN ECO
- 48 6. EJE SUPERIOR
7. MANGO AUXILIAR
8. EJE INFERIOR
9. GUARDA PROTECTORA DE SEGURIDAD
10. CUCHILLA DEL HILO
11. CABEZA RECORTADORA (CABEZA DE PROTUBERANCIA)
12. LIBERAR TABULADOR

* Los accesorios ilustrados o descritos pueden no corresponder al material suministrado de serie con el aparato.

3. DATOS TÉCNICOS

Tipo **WG185E WG185E.X** (1-designación de maquinaria, representative del cortacésped sin cable)

	WG185E WG185E.X**
Tensión	40 V \equiv MAX (2x20V MAX) ***

Velocidad sin carga	6000/min
Diámetro del corte para el cortacésped	38cm
diámetro del hilo	2.4mm
Longitud de la línea	Max. 4m (Salida doble)
Peso (sin batería)	2.87kg

** X = 1-999, A-Z, M1-M9 solo se utilizan para diferentes clientes, no hay cambios relevantes seguros entre estos modelos.

*** Voltaje medido sin carga. El voltaje inicial máximo de la batería es de 20 voltios. El voltaje nominal es de 18 voltios.

BATERÍAS Y CARGADORES RECOMENDADOS

Categoría	Tipo	Capacidad
20V Batería	WA3014	4.0Ah
	WA3644	4.0Ah
20V Cargador	WA3883	4.0A

Le recomendamos que compre sus accesorios en la misma tienda que compró la herramienta. Consulte el paquete de accesorios para obtener más detalles. El personal de la tienda puede ayudarlo y ofrecerle asesoramiento.

INFORMACIÓN SOBRE EL RUIDO

Nivel de presión acústica de ponderación $L_{pA} = 78.4$ dB(A)

K_{DA} 3 dB(A)

Nivel de potencia acústica de ponderación $L_{WA} = 92.5$ dB(A)

K_{WA} 3 dB(A)

Utilice protección auditiva.



INFORMACIÓN SOBRE LAS VIBRACIONES

Frecuencia de vibración típica	$a_1 < 2.5 \text{ m/s}^2$
	Incertidumbre $K=1.5 \text{ m/s}^2$

El nivel de vibraciones declarado puede utilizarse para realizar comparaciones entre herramientas y para la evaluación preliminar de la exposición.

⚠ ADVERTENCIA: El valor de emisión de vibraciones durante el uso de la herramienta podría ser distinto al valor declarado dependiendo de la forma en que se use la herramienta según las condiciones siguientes, y otras variaciones sobre el uso de la herramienta:

El modo de uso de la herramienta y los materiales que se cortan o perforan.

El estado general y las condiciones de mantenimiento de la herramienta.

La utilización del accesorio correcto para la herramienta y su correcto mantenimiento afilado y en buenas condiciones.

La firme sujeción de las empuñaduras y la utilización de accesorios antivibración.

El uso de la herramienta conforme a su diseño y estas instrucciones.

Esta herramienta podría causar síndrome de vibración mano-brazo si no se utiliza correctamente

⚠ ADVERTENCIA: Para conseguir una mayor precisión, debe tenerse en cuenta una estimación del nivel de exposición en condiciones reales de todas las partes del ciclo de uso, como los tiempos durante los que la herramienta está apagada o el tiempo que está funcionando al ralentí sin realizar ningún trabajo. Esto podría reducir notablemente el nivel de exposición durante el periodo completo de trabajo.

Cómo minimizar el riesgo de exposición a la vibración. Utilice SIEMPRE cinceles, brocas y cuchillas afiladas. Mantenga esta herramienta de acuerdo con estas instrucciones y bien lubricada (si es necesario). Si la herramienta se utiliza regularmente, invierta en accesorios antivibración.

Planifique su programa de trabajo para distribuir el uso de la herramienta a lo largo de varios días.

4.MONTAJE & FUNCIONAMIENTO

ACCIÓN	ILUSTRACIÓN
MONTAJE	

Montaje del mango auxiliar	Véase la Fig. A1,A2,A3
Retire el tapón del tubo NOTA: Antes de instalar la pértiga, retire primero el protector del tapón del tubo de la máquina.	Véase la Fig. B1
Montaje del poste	Véase la Fig. B2
Montaje de la guarda de seguridad Inserte el soporte metálico en la ranura del protector de seguridad y, a continuación, fije el protector en su lugar con el tornillo y la llave hexagonal.	Véase la Fig. C
Extraer O Instalar La Batería NOTA: • El cortacésped solo funciona si tiene instaladas 2 baterías. Utilice siempre las dos mismas baterías y cárguelas al mismo tiempo. • Cuando se utilizan dos baterías con diferentes horas de duración o de niveles de carga, la máquina funcionará hasta el mínimo común denominador. • Se recomienda que utilice la batería de 4.0Ah o superior para un mejor rendimiento y con un tiempo de ejecución más largo.	Véase la Fig. D1, D2
Comprobación del nivel de carga de la batería NOTA: La Fig. D3 solo es aplicable a la batería con indicador de la batería.	Véase la Fig. D3
Cargar la batería NOTA: • la batería se entrega descargada y debe cargarse completamente antes de cortar el césped por primera vez. • Cargue siempre las dos baterías por completo y al mismo tiempo. Encontrará más información en el manual del cargador.	Véase la Fig. D4
Indicador de la batería en la máquina Consulte la información de ESTADO DE LA BATERÍA	Véase la Fig. D5
FUNCIONAMIENTO	

Para empezar



ADVERTENCIA! El cabezal de corte continuará rotando después de apagar la podadora. Espere hasta que se haya detenido completamente para dejar la herramienta.

Pulse primero el botón de bloqueo y, a continuación, pulse el gatillo del interruptor para iniciar la máquina.

Véase la Fig. E

Velocidad ECO

Para un tiempo de funcionamiento más largo, pulse el botón ECO y el gatillo del interruptor, luego su máquina funcionará a baja velocidad.

Véase la Fig. F

Desbrozo

Véase la Fig. G

Alimentación por golpes

Véase la Fig. H

Montaje y extracción del cabezal del corte

Inserte la tecla hexagonal en el orificio y gire el cabezal de la recortadora hasta que se detenga en una posición bloqueada. A continuación, gire en sentido contrario a las agujas del reloj para quitarlo y en el sentido de las agujas del reloj para montarlo.

Véase la Fig. I

Enrollando la línea de la recortadora

Paso 1: Retire el paquete de baterías de la recortadora.

Paso 2: Gire el cabezal de la recortadora en la dirección de la flecha para que se alinee con el ojal.

Paso 3: Inserte el hilo en el ojal (J2) y empuje el hilo hasta que el extremo del hilo salga por el ojal opuesto.

Paso 4: Tire del hilo desde el otro lado hasta que aparezcan longitudes iguales de hilo en ambos lados del cabezal de la recortadora (no más de 2 metros en cada lado).

Paso 5: Gire el cabezal para cargar el hilo.

NOTA: El carrete debe enrollarse mientras está dentro del cabezal de la recortadora. El carrete no puede enrollarse en línea e instalarse en

Véase la Fig. J1,J2,J3

LED DE ESTADO DE LA BATERÍA (See Fig. D5)

Antes de encender la máquina o cuando termine de usarla, pulse el botón que hay al lado del indicador de encendido para ver el nivel de batería. Durante el funcionamiento. El indicador de batería muestra automáticamente el nivel de batería.

Este indicador detecta y muestra el nivel de batería constantemente, tal como se indica a continuación.

En las máquinas con 2 baterías con diferente cantidad de energía, el indicador de alimentación muestra el nivel de la batería con menos energía.

Estado del indicador de la batería	Estado de la batería
Se iluminan cinco luces en color verde (■ ■ ■ ■ ■).	Las dos baterías tienen mucha carga.
Se iluminan dos, tres o cuatro luces en color verde.	Hay energía en las dos baterías. Cuantas más luces se iluminen, mayor es la cantidad de energía restante.
Solo se ilumina una luz en color verde (■ □ □ □ □).	Como mínimo una batería está agotada y se tiene que cargar.
No se ilumina ninguna luz.	Como mínimo una batería no está bien instalada o tiene un fallo.
Parpadea una única luz con una frecuencia de dos veces por ciclo.	Como mínimo una batería está sobre descargada (consulte el estado de carga de la batería). Recargue las dos baterías al mismo tiempo antes de usarlas de nuevo o de guardarlas.
Parpadea una única luz con una frecuencia de tres veces por ciclo.	Como mínimo una batería está caliente. Deje enfriar las baterías antes de volver a encender la máquina.
Parpadea una única luz con una frecuencia de cuatro veces por ciclo.	La máquina está sobrecargada. Retire la herramienta de la zona de corte e inténtelo de nuevo.

INSTRUCCIONES DE FUNCIONAMIENTO



ADVERTENCIA! El cargador y el pack de batería han sido específicamente diseñados para funcionar juntos, de modo que no procure utilizar ningún otro dispositivo. Nunca inserte o permita objetos metálicos en las conexiones del cargador o el pack de batería, ya que podrían ocurrir fallas y riesgos eléctricos.

1. Sistema de alimentación de línea en relieve (Véase la Fig. H)

La recortadora está equipada con un sistema de línea en relieve. Simplemente golpee el cabezal de la recortadora mientras la máquina esté funcionando, y se alimentará de la nueva línea.

2. Enrollando la línea de la recortadora (WA0201) (Véase la Fig. J1,J2)

Inserte la línea de reemplazo a través del ojal y aliméntala por el otro lado. Asegúrese de que ambos extremos de la línea estén uniformes en cada extremo del cabezal de corte (recomienda 2 m) y corte la línea. Gire el dial en el mismo sentido que las agujas del reloj para enrollar la línea alrededor del carrete hasta que unos 19 cm permanezcan a cada lado.

ALMACENAMIENTO



Extraiga siempre la batería de la podadora después del uso.

Almacenamiento del cortabordes

El cortabordes tiene una ranura para colgarlo de la pared. (Véase la Fig. K)

Guárdelo en un lugar seco donde el cortabordes y la batería estén protegidos adecuadamente y no puedan resultar dañados.

5.MANTENIMIENTO



Extraiga siempre la batería de la podadora después del uso.

Compruebe siempre que el producto no presenta daños antes de utilizarlo. Extraiga la batería del aparato cuando no lo utilice. Su herramienta eléctrica no requiere de lubricación ni mantenimiento adicional. No posee piezas en su interior que deban ser reparadas por el usuario. Nunca emplee agua o productos químicos para limpiar su herramienta. Use simplemente un paño seco. Guarde siempre su herramienta en un lugar seco. Mantenga limpias las ranuras de ventilación del motor. Mantenga todos los controles de funcionamiento libres de polvo.

6. PROTECTION AMBIENTAL



Los residuos de equipamientos eléctricos y electrónicos no deben depositarse con las basuras domésticas. Se recogen para reciclarse en centros especializados. Consulte las autoridades locales o su revendedor para obtener informaciones sobre la organización de la recogida.

7.DECLARACIÓN DE CONFORMIDAD

Los que reciben,

Positec Germany GmbH
Postfach 32 02 16, 50796 Cologne, Germany

Declaran que el producto
Descripción **Cortacésped sin cable**
Tipo **WG185E WG185E.X (1-designación de maquinaria, representative del cortacésped sin cable)**
Función **Cortar hierba y otras plantas blandas similares y recortar la hierba de los bordes**

Cumple con las siguientes Directivas,
2006/42/EC, 2014/30/EU, 2011/65/EU&(EU)2015/863, 2000/14/EC modificada por 2005/88/EC

2000/14/EC modificada por 2005/88/EC:
- Procedimiento de evaluación de la conformidad de acuerdo con **Annex VI**
- Nivel de presión acústica **92.5 dB (A)**
- Nivel de intensidad acústica **96 dB (A)**

Notificación realizada por

Nombre: Intertek Deutschland GmbH (notifizierte Stelle 0905)
Dirección: Stangenstraße 1, 70771 LEINFELDEN-ECHTERDINGEN

Normativas conformes a,
EN 60335-1, EN 50636-2-91, EN 62233, EN ISO 3744, EN IEC 55014-1, EN IEC 55014-2, EN IEC 63000

La persona autorizada para componer el archivo técnico,
Firma Marcel Filz
Dirección Positec Germany GmbH
Postfach 32 02 16, 50796 Cologne, Germany



2023/09/12
Allen Ding
Deputy Chief Engineer, Testing & Certification
Positec Technology (China) Co., Ltd
18, Dongwang Road, Suzhou Industrial Park, Jiangsu 215123, P. R. China

8.SOLUCIÓN DE PROBLEMAS

La siguiente tabla enumera posibles problemas y las acciones que deberá realizar si la máquina no funciona correctamente.



Advertencia: apague la máquina y extraiga la batería antes de proceder con la solución de problemas.

Problemas	Posibles causas	Acción correctora
La recortadora no funciona.	Batería descargada. La batería está demasiado fría o caliente. El motor está roto. El cableado interno de la máquina está dañado.	Recargue la batería, encontrará más información en el manual del cargador. Deje que la batería se enfríe o caliente. Póngase en contacto con el agente de servicio. Póngase en contacto con el agente de servicio.
La recortadora funciona de forma intermitente.	El motor está roto. La batería no está cargada por completo. Interrupción de encendido/apagado defectuoso.	Póngase en contacto con el agente de servicio. Recargue la batería. Póngase en contacto con el agente de servicio.
Excesivas vibraciones o ruido.	Máquina defectuosa. El carrete de línea no está correctamente bobinado.	Póngase en contacto con el agente de servicio. Vuelva a enrollar la línea. Consulte "Colocación del carrete y montaje de la línea".
El tiempo de corte por carga de batería es demasiado breve.	La batería lleva tiempo sin ser utilizada o se ha cargado demasiado poco. La hierba está demasiado alta. La batería está defectuosa.	Cargue la batería al completo, encontrará más información en el manual del cargador. Corte por fases. Cambie la batería.
La máquina no corta.	La línea está rota. La batería no está cargada por completo. El motor está roto (la velocidad es demasiado baja). Se ha enredado hierba en el cabezal de corte.	Cambie la línea. Recargue la batería, encontrará más información en el manual del cargador. Póngase en contacto con el agente de servicio. Quite la hierba.
Iluminación continua del indicador de carga de la batería. No es posible cargar.	La batería no está (correctamente) insertada Los contactos de la batería están defectuosos. La batería está defectuosa.	Inserte correctamente la batería en el cargador de baterías. Limpie los contactos de la batería o cambie la batería. Cambie la batería.
El indicador de carga de la batería no se enciende.	El enchufe del cargador de la batería no está enchufado (correctamente). Toma de corriente, cable de alimentación o cargador de batería defectuosos.	Inserte el enchufe (totalmente) en la toma de corriente. Compruebe el voltaje de la red, solicite a un agente de servicio posventa autorizado que compruebe el cargador de baterías.

ÍNDICE

1. SEGURANÇA DO PRODUTO
2. LISTA DE COMPONENTES
3. DADOS TÉCNICOS
4. INSTRUCCIONES DE FUNCIONAMIENTO
5. MANUTENÇÃO
6. PROTECÇÃO AMBIENTAL
7. DECLARAÇÃO DE CONFORMIDADE
8. SOLUÇÃO DE PROBLEMAS

Os utilizadores podem consultar as instruções eletrónicas em <https://eu.worx.com>.

1. SEGURANÇA DO PRODUTO AVISOS GERAIS DE SEGURANÇA



ATENÇÃO Leia atentamente as

seguintes instruções. *A não observância destas instruções pode causar choque eléctrico, incêndio e/ou lesões graves.*

Preserve todos avisos e instruções para referência futura.

Este aparelho só deve ser utilizado com a fonte de alimentação fornecida com o mesmo.

**IMPORTANTE
LEIA CUIDADOSAMENTE
ANTES DE UTILIZAR
PRESERVE PARA FUTURA**

REFERÊNCIA

Práticas de utilização segura

1. Treino

- a) Leia estas instruções atentamente. Familiarize-se com os comandos e a correcta utilização deste equipamento.
- b) Nunca permita que crianças, pessoas com capacidades físicas, sensoriais ou mentais reduzidas ou falta de experiência e conhecimento ou pessoas não familiarizadas com estas instruções utilizem a máquina; os regulamentos locais poderão limitar a idade do operador.
- c) O utilizador desta ferramenta é responsável pelos acidentes ou pelas situações de perigo que afectem outras pessoas ou os bens destas.

2. Preparação

- a) Antes da utilização, proceda sempre à inspeção visual da máquina quanto a barreiras protetoras ou resguardos danificados, em falta ou mal colocados.
- b) Nunca utilize a máquina, quando estiverem outras pessoas, sobretudo crianças, ou animais nas redondezas.

3. Funcionamento

- a) Use sempre proteção ocular, calças compridas e calçado robusto enquanto opera a máquina.
- b) Evite usar a máquina em más condições atmosféricas, especialmente quando existe o risco de relâmpagos.
- c) Use a máquina apenas durante o dia ou com boa luz artificial.
- d) Nunca opere a máquina com barreiras de proteção ou resguardos danificados ou sem colocar barreiras de proteção e resguardos no devido lugar.
- e) Ligue o motor apenas quando as mãos e os pés estão afastados de objetos cortantes.
- f) Desligue sempre a máquina da fonte de alimentação (por ex.: remova a ficha de alimentação da tomada elétrica)
 - 1) sempre que a máquina fica sem supervisão;
 - 2) antes de tentar eliminar a causa de qualquer encravamento;
 - 3) antes de verificar, limpar ou realizar qualquer trabalho no máquina;
 - 4) após bater num objecto estranho;
- 5) sempre que a máquina começa a vibrar de forma anormal.
- g) Tenha cuidado para não ferir os pés e as mãos com objetos cortantes.
- h) Certifique-se sempre que as entradas de ar não se encontram obstruídas por detritos.
- i) Não adapte dispositivos de corte em metal.
- j) Ao trabalhar em superfícies inclinadas certifique-se de que adopta uma posição estável.
- k) Caminhe, não corra.
- l) Não tentar alcançar pontos de difícil acesso e manter sempre o equilíbrio.
- m) Não tocar em peças móveis perigosas antes de a máquina ser desligada da fonte de alimentação e até o movimento das peças móveis perigosas ter parado completamente.

4. Manutenção e armazenamento

- a) Desligue a máquina da fonte de alimentação (por ex.: remova a ficha de alimentação da tomada elétrica) antes de realizar

trabalhos de manutenção ou de limpeza.

- b) Utilize apenas as peças de substituição e os acessórios recomendados pelo fabricante.
- c) Proceda à inspeção e manutenção da máquina regularmente. Coloque a máquina em reparação apenas por um agente autorizado.
- d) Quando não estiver a ser utilizado, o máquina deve ser guardado fora do alcance das crianças.

SEGURANÇA DA BATERIA AVISOS DE SEGURANÇA PARA A BATERIA

- a) Não desmonte, abra ou corte as células da bateria.**
- b) Não submeta a bateria a curto-circuitos. Não armazena as baterias ao acaso numa caixa ou gaveta onde possam provocar um curto-circuito ou submetidas a curto-circuitos por materiais condutores.**

Quando não estiver a utilizar a bateria, mantenha-a afastada de outros objectos metálicos, como cliques,

moedas, chaves, pregos, parafusos ou outros pequenos objectos de metal, que possam realizar uma ligação de um terminal a outro. Um curto-circuito dos terminais da bateria pode provocar queimaduras ou um incêndio.

- c) Não exponha a bateria ao calor ou a incêndios. Evite o armazenamento à exposição de luz solar directa.**
- d) Não exponha a bateria ao choque eléctrico.**
- e) Em casos de fugas na bateria, não permita que o líquido entre em contacto com a pele ou olhos. Caso entre em contacto, lave a área afectada com quantidades abundantes de água e procure aconselhamento médico.**
- f) Mantenha a bateria limpa e seca.**
- g) Limpe os terminais da bateria com um pano limpo e seco em caso de sujidade.**
- h) A bateria necessita de ser carregada antes de ser utilizada. Consulte sempre estas instruções e utilize o procedimento de carga**

correcto.

i) Não mantenha a bateria a carregar quando não for utilizada.

j) Após longos períodos de tempos de armazenamento, pode ser necessário carregar e descarregar a bateria diversas vezes para obter o desempenho máximo.

k) Recarregue apenas com o carregador especificado pela Worx. Não utilize um carregador que não se encontra especificado para a utilização com o equipamento.

l) Não utilize uma bateria que não se encontra concebida para a utilização com o equipamento.

m) Mantenha a bateria fora do alcance das crianças.

n) Preserve as informações originais do produto para futura referência.





o) Retire a bateria do equipamento quando não estiver em utilização.





p) Elimine-a de forma adequada.

q) Não misture pilhas de diferente fabrico, capacidade, tamanho ou

tipo num dispositivo.
r) Mantenha a bateria longe de fornos micro-ondas e altas pressões.

SÍMBOLOS

	Ler o manual
	Mantenha as outras pessoas afastadas
	Use proteção ocular e auditiva
	Não exponha a máquina à chuva
	Os equipamentos eléctricos não devem ser despositados com o lixo doméstico. Se existirem instalações adequadas deve reciclá-los. Consulte a sua autoridade local para tratamento de lixos ou fornecedor para obter aconselhamento sobre reciclagem.
	Bateria de íões de lítio Este produto foi marcado com um símbolo relacionado com a "recolha separada" de todos os conjuntos de baterias e o conjunto de bateria. Será reciclada ou desmantelada para reduzir o impacto no meio ambiente. Os conjuntos de baterias podem ser perigosos para o meio ambiente e para a saúde humana, uma vez que contêm substâncias perigosas.

	Certifique-se de que a bateria é removida antes de substituir os acessórios.
	Corte
	Não queimar
	As baterias poderão entrar no ciclo hídrico caso sejam descartadas indevidamente, o que pode representar perigo para o ecossistema. Não elimine as baterias usadas como resíduos municipais não separados.

2. LISTA DE COMPONENTES

1. BATERIAS *

2. INDICADOR DE ALIMENTAÇÃO A BATERIA

3. BOTÃO DE TRAVAMENTO

4. GATILHO COM VELOCIDADE VARIÁVEL

5. BOTÃO ECO

6. EIXO SUPERIOR

7. PEGA AUXILIAR

8. UNIÃO DO VEIO INFERIOR

9. DISPOSITIVO DE SEGURANÇA

10. CORTADOR DA LINHA

11. CABEÇA DO APARADOR (CABEÇOTE)


12. GUIA LIBERAR

* Acessórios ilustrados ou descritos não estão totalmente abrangidos no fornecimento.

3. DADOS TÉCNICOS

Tipo **WG185E WG185E.X** (1-designação da máquina, representativa do Aparador de Relva sem Fio)

	WG185E WG185E.X**
--	------------------------------

Tensão	40 V  MAX (2x20V MAX) ***
Velocidade sem carga	6000/min
Diâmetro de corte para aparador de grama	38cm
Espessura do fio	2.4mm
Comprimento da linha	Recomendado 4m (Saída dupla)
Peso da ferramenta (Ferramenta nua)	2.87kg

** X = 1-999, A-Z, M1-M9, são utilizados apenas para clientes diferentes, não há alterações relevantes seguras entre esses modelos.

*** Tensão medida sem carga. A tensão inicial da bateria atinge o máximo de 20 volts. A tensão nominal é de 18 volts.

BATERIAS E CARREGADORES SUGERIDOS

Categoria	Modelo	Capacidade
20V Baterias	WA3014	4.0Ah
	WA3644	4.0Ah
20V Carregador	WA3883	4.0A

Recomendamos que você compre seus acessórios na mesma loja que vendeu a ferramenta. Consulte a embalagem dos acessórios para mais detalhes. O pessoal da loja pode ajudá-lo e oferecer opinião

INFORMAÇÃO DE RUÍDO

Pressão de som avaliada	$L_{pA} = 78.4 \text{ dB(A)}$
K_{pA}	3 dB(A)
Potência de som avaliada	$L_{WA} = 92.5 \text{ dB(A)}$
K_{WA}	3 dB(A)

Use proteção de ouvidos. 

INFORMAÇÃO DE VIBRAÇÃO

Vibração característica ponderada	$a_n < 2.5 \text{ m/s}^2$
Instabilidade	$K = 1.5 \text{ m/s}^2$

O valor total declarado da vibração poderá ser utilizado para comparar uma ferramenta com outra e poderá também ser utilizado numa avaliação preliminar de exposição.

AVISO: Os valores de emissão de vibração durante a utilização da ferramenta podem divergir dos valores declarados, dependendo da forma como a ferramenta é utilizada, dependendo dos exemplos seguintes e de outros modos de utilização: O modo como a ferramenta é utilizada, os materiais a cortar ou perfurar.

A ferramenta estar em boas condições e bem conservada.

A utilização do acessório correcto para a ferramenta e a garantia de que está afiada e em boas condições.

A firmeza com que se segura nas pegas e se quaisquer acessórios vibratórios são utilizados.

Se a ferramenta é utilizada para o objectivo para a qual foi concebida e segundo as instruções.

Esta ferramenta pode causar síndrome de vibração mão-braço, se não for adequadamente utilizada.

AVISO: Para ser preciso, uma estimativa do nível de exposição nas condições actuais de utilização devem ter em conta todas as partes do ciclo de operação, como tempos em que a ferramenta está desligada e quando está em funcionamento, mas inactiva, ou seja, não realizando o seu trabalho. Isto poderá reduzir significativamente o nível de exposição durante o período total de trabalho.

Como minimizar o seu risco de.

Utilize SEMPRE formões, brocas e lâminas afiadas.

Mantenha esta ferramenta de acordo com as instruções e bem lubrificada (quando aplicável).

Se a ferramenta for utilizada regularmente, invista em acessórios anti-vibração.

Planeie o seu horário de trabalho de forma a distribuir a utilização de ferramentas de alta vibração ao longo de vários dias.

4.MONTAGEM & FUNCIONAMENTO

AÇÃO	FIGURA
MONTAGEM	
Montar a pega auxiliar	Ver Fig. A1,A2,A3

Remoção da ficha do tubo NOTA: Antes de montar o mastro, remova primeiro o protetor da ficha do tubo na máquina.	Ver Fig. B1
Montagem do poste	Ver Fig. B2
Montagem da Protecção de Segurança Insira o suporte de metal no slot na proteção de segurança e prenda a proteção no lugar usando o parafuso e a chave sextavada.	Ver Fig. C
Como Retirar Ou Instalar O Conjunto De Baterias NOTA: <ul style="list-style-type: none"> • Este corta-relvas funciona apenas com as duas baterias instaladas. Utilize sempre as mesmas duas baterias e carregue as duas baterias ao mesmo tempo. • Quando duas baterias são usadas com diferentes horas de amp ou nível de carga, a máquina funciona com o menor denominador comum. • Recomenda-se o uso de bateria de 4.0Ah ou acima para obter melhor desempenho e maior tempo de execução. 	Ver Fig. D1, D2
Verificar o estado de carga da bateria NOTA: A Figura D3 apenas se aplica ao conjunto de bateria com luz indicadora da bateria.	Ver Fig. D3
Carregamento da bactéria NOTA: <ul style="list-style-type: none"> • A embalagem da bateria é expedida sem carga. A bateria tem de ser totalmente carregada antes de cortar a relva pela primeira vez. • Carregue sempre as duas baterias até ao fim e ao mesmo tempo. Pode encontrar mais detalhes no manual do carregador. 	Ver Fig. D4
Indicador de Alimentação da bateria na máquina Consulte os detalhes na parte referente ao ESTADO DA BATERIA	Ver Fig. D5
FUNCIONAMENTO	

<p>ara iniciar</p> <p>AVISO! A cabeça do cortador continua a rodar depois de desligar a máquina; ser desligada, espere até ela parar para pousar a ferramenta.</p> <p>Pressione o botão de trava primeiro e depois pressione o gatilho de interruptor para iniciar a máquina.</p>	Ver Fig. E
<p>Velocidade ECO</p> <p>Para um tempo de execução mais longo, pressione o botão ECO e pressione o gatilho de interruptor; sua máquina funcionará em baixa velocidade.</p>	Ver Fig. F
Corte	Ver Fig. G
Bump feed	Ver Fig. H
<p>Montagem e remoção da cabeça do aparador</p> <p>Insira a chave sextavada no orifício e gire a cabeça do aparador até parar em uma posição travada. Em seguida, gire no sentido anti-horário para removê-lo e no sentido horário para montá-lo.</p>	Ver Fig. I
<p>Enrolando a linha do aparador</p> <p>Passo 1: Remova o pacote de bateria do aparador.</p> <p>Passo 2: Gire a cabeça do aparador na direção da seta para que se alinhe com o ilhó. Passo 3: Insira o fio no ilhó (J2) e empurre o fio até que a extremidade do fio saia pelo ilhó oposto.</p> <p>Passo 4: Puxe o fio pelo outro lado até que comprimentos iguais de fio apareçam em ambos os lados da cabeça do aparador (não mais que 2 metros em cada lado).</p> <p>Passo 5: Gire a cabeça para carregar o fio.</p> <p>NOTA: O carretel deve ser enrolado enquanto estiver dentro da cabeça do aparador. O carretel não pode ser enrolado com linha e, em seguida, instalado na cabeça do aparador.</p>	Ver Fig. J1,J2,J3

LEDS DE ESTADO DA BATERIA (Ver Fig. D5)

Antes de iniciar ou depois da utilização, prima o botão ao lado da luz indicadora de energia na máquina para verificar a capacidade da bateria. Durante o funcionamento, a capacidade da bateria

será indicada automaticamente pelo indicador de energia da bateria. O indicador deteta e exibe constantemente a condição da bateria como apresentado abaixo. Para a máquina com conjuntos de duas baterias com diferentes potências, a luz indicadora de energia exibe a condição da bateria com menos capacidade.

Estado do indicador de alimentação da bateria	Estado da bateria
Cinco luzes verdes (■ ■ ■ ■ ■) estão acesas.	As duas baterias estão num estado totalmente carregado.
Duas ou três ou quatro luzes verdes estão acesas.	As suas baterias têm carga remanescente. Quanto mais luzes estiverem acesas, mais capacidade tem a bateria.
Apenas uma luz verde (■ □ □ □ □) está acesa.	Pelo menos uma bateria está gasta e necessita de ser carregada.
Nenhuma luz está acesa.	Pelo menos uma bateria não está totalmente instalada ou a bateria está com defeito.
Apenas uma luz está intermitente duas vezes por ciclo.	Pelo menos uma bateria está descarregada em excesso (por favor, consulte o estado de carga da bateria), por favor, recarregue as duas baterias de uma vez só antes de utilizar novamente ou de proceder ao armazenamento.
Apenas uma luz está intermitente três vezes por ciclo.	Pelo menos uma bateria está quente, aguarde que arrefeçam antes de iniciar novamente.
Apenas uma luz está intermitente quatro vezes por ciclo.	A máquina está sobrecarregada. Retire a ferramenta da área de corte e tente novamente.

INSTRUCCIONES DE FUNCIONAMIENTO

AVISO! O carregador e o conjunto de baterias são concebidos especificamente para trabalhar em conjunto e, por isso, não tente utilizar outros dispositivos. Nunca introduza ou deixe entrar objectos metálicos no seu carregador ou nas ligações do conjunto de baterias porque pode causar falhas eléctricas ou perigos.

1. Sistema de alimentação de linha de retorno (Ver Fig. H)

O aparador está equipado com um sistema de linha de retorno. Apenas bata na cabeça do aparador enquanto a máquina estiver em funcionamento, uma nova linha será alimentada.

2. Enrolando a linha do aparador (WA0201)(Ver Fig. J1, J2)

Insira a linha de substituição através do ilhó e alimente-a pelo outro lado. Certifique-se de que ambas as extremidades da linha estejam niveladas em cada extremidade da cabeça do aparador (recomendado 2 m) e corte a linha. Gire o botão no sentido horário para enrolar a linha em torno do carretel até cerca de 19 cm de cada lado.

ARMAZENAR O SEU CORTADOR DE RELVA



Remova sempre o conjunto de pilhas do seu cortador após a utilização.

Para armazenar o corta-relva

O corta-relva é fornecido com uma ranhura de suspensão para armazenar o corta-relva na parede. (Ver Fig. K)

Guarde num local seco onde o corta-relva e a bateria estão protegidos contra danos.

5. MANUTENÇÃO



Remova sempre o conjunto de pilhas do seu cortador após a utilização.

Verifique sempre eventuais danos no produto antes de ser utilizado.

Antes de realizar qualquer trabalho na própria máquina, retire a ficha de alimentação da tomada. A sua ferramenta não requer qualquer lubrificação ou manutenção adicional. Na sua ferramenta eléctrica, não existem componentes susceptíveis de serem substituídos pelo utilizador. Nunca utilize água ou produtos químicos para limpar a sua ferramenta. Limpe-a com um pano macio. Guarde sempre a sua ferramenta num local seco. Mantenha as ranhuras de ventilação do motor devidamente limpas. Mantenha todos os controlos de trabalho sem poeira.

6. PROTECÇÃO AMBIENTAL



Os equipamentos eléctricos não devem ser despositados com o lixo doméstico. Se existirem instalações adequadas deve reciclá-los. Consulte a sua autoridade local para tratamento de lixos ou fornecedor para obter aconselhamento sobre reciclagem.

7. DECLARAÇÃO DE CONFORMIDADE

Nós,
Positec Germany GmbH
Postfach 32 02 16, 50796 Cologne, Germany

Declaramos que o produto,
Descrição **Aparador de relva sem fios**
Tipo **WG185E WG185E.X (1-designação da máquina, representativa do Aparador de Relva sem Fios)**
Função **cortar relva e vegetação macia similar e para aparar cantos de relva**

Cumpra as seguintes Directivas,
2006/42/EC, 2014/30/EU
2011/65/EU & (EU) 2015/863
2000/14/EC rectificada em 2005/88/EC

2000/14/EC rectificada em 2005/88/EC:
- Processo de Avaliação de Conformidade segundo **Annex VI**

- Nível de Volume de Som Medido **92.5 dB (A)**
- Nível de Volume de Som Garantido **96 dB (A)**

Organismo notificado envolvido
Nome: Intertek Deutschland GmbH
(notifizierte Stelle 0905)
Endereço: Stangenstraße 1, 70771
LEINFELDEN-ECHTERDINGEN

Normas em conformidade com
EN 60335-1, EN 50636-2-91, EN 62233,
EN ISO 3744, EN IEC 55014-1, EN IEC 55014-2,
EN IEC 63000

Pessoa autorizada a compilar o ficheiro técnico,
Nome Marcel Filz
Endereço Positec Germany GmbH
Postfach 32 02 16, 50796 Cologne, Germany



2023/09/12
Allen Ding
Engenheiro-chefe adjunto, Teste e Certificação
Positec Technology (China) Co., Ltd
18, Dongwang Road, Suzhou Industrial
Park, Jiangsu 215123, P. R. China

8.RESOLUÇÃO DE PROBLEMAS

A tabela seguinte lista problemas e acções que pode executar caso o seu equipamento não esteja a funcionar correctamente.



AVISO: Desligue o equipamento e remova a bateria antes de tentar resolver qualquer problema.

Problemas	Causas possíveis	Ação de correcção
O aparador de relva não funciona.	Bateria descarregada. Bateria muito quente/fria. Motor avariado. Circuitos internos do equipamento estão danificados.	Carregue a bateria; ver também conteúdo no manual do carregador. Deixe a bateria arrefecer/aquecer. Contacte o agente autorizado. Contacte o agente autorizado.
O aparador de relva funciona de forma intermitente.	Motor avariado. Bateria não está totalmente carregada. O comutador de alimentação está defeituoso.	Contacte o agente autorizado. Carregue a bateria. Contacte o agente autorizado.
Vibração/ruído excessivos.	Equipamento defeituoso. A bobina não está bem enrolada.	Contacte o agente autorizado. Enrole a linha na bobina. Consulte a secção "Encaixe da bobina e colocação da linha."
Tempo de corte muito curto para a carga da bateria.	A bateria não foi usada durante muito tempo ou foi carregada durante um período de tempo muito curto. A relva está muito grande. A bateria está defeituosa.	Carregue completamente a bateria,; ver também conteúdo no manual do carregador. Corte a relva por etapas. Substitua a bateria.
O aparador não corta a relva.	A linha está partida. Bateria não está totalmente carregada. O motor está avariado (velocidade muito baixa). Relva enrolada em redor da cabeça de corte.	Substitua a linha. Carregue a bateria; ver também conteúdo no manual do carregador. Contacte o agente autorizado. Remova a relva.
O indicador de carga da bateria está sempre a acender. Não é possível carregar a bateria.	A bateria não está (correctamente) introduzida. Os contactos da bateria estão contaminados. A bateria está defeituosa.	Introduza correctamente a bateria no carregador. Limpe os contactos da bateria (por exemplo: remover/instalar o conjunto de pilhas) ou substitua-a. Substitua a bateria.
O indicador de carga da bateria está sempre a acender.	A bateria não está (correctamente) introduzida. Os contactos da bateria estão contaminados. A bateria está defeituosa.	Insira (totalmente) a ficha na tomada eléctrica. Verifique a corrente da tomada eléctrica, peça a um agente autorizado para verificar o carregador da bateria.

INHOUDSOPGAVE

1. PRODUCTVEILIGHEID
2. ONDERDELENLIJST
3. TECHNISCHE GEGEVENS
4. BEDIENINGSINSTRUCTIES
5. ONDERHOUD
6. BESCHERMING VAN HET MILIEU
7. CONFORMITEITVERKLARING
8. PROBLEEMOPLOSSINGEN

Gebruikers kunnen de elektronische gebruiksaanwijzingen bekijken op <https://eu.worx.com>.

1. PRODUCTVEILIGHEID ALGEMENE VEILIGHEIDSWAARSCHUWINGEN



WAARSCHUWING **Lees alle instructies**

zorgvuldig door. *Indien u zich niet aan alle onderstaande instructies houdt, kan dat leiden tot een elektrische schok, brand en/of ernstig letsel.*

Bewaar alle waarschuwingen en instructies voor latere naslag.

Het apparaat mag slechts gebruikt worden met de netadapter die bij het apparaat geleverd wordt.

BELANGRIJK **LEES DIT VOOR GEBRUIK**

BEWAAR DEZE INSTRUCTIES VOOR LATERE NASLAG

Aanwijzingen voor een veilig gebruik

1. Training

- a) Lees de instructies zorgvuldig door. Maak uzelf bekend met de bediening en het juiste gebruik van het apparaat.
- b) Laat nooit kinderen, personen met verminderde fysieke, sensorische of mentale vaardigheden, of zonder ervaring en kennis, of mensen die niet vertrouwd zijn met deze gebruiksinstructies de machine bedienen, het is mogelijk dat de plaatselijke wetgeving een leeftijdslimiet oplegt.
- c) Denk eraan dat de gebruiker verantwoordelijk is voor ongevallen en schade die ontstaan met andere personen en hun eigendommen.

2. Voorbereiding

- a) Voor gebruik moet u altijd de machine op beschadigde, ontbrekende of misplaatste afschermingen controleren.
- b) Bedien de machine nooit wanneer er mensen, met name kinderen, of huisdieren in de buurt zijn.

3. Bediening

- a) Draag tijdens het bedienen van de machine te allen tijde oogbescherming, een lange broek en stevige schoenen.
- b) Vermijd het gebruik van de machine in slechte weersomstandigheden in het bijzonder wanneer er een risico op blikseminslag is.
- c) Gebruik de machine alleen overdag of met goed kunstlicht.
- d) Gebruik de machine nooit met beschadigde afschermingen of zonder afschermingen.
- e) Schakel de motor alleen aan wanneer de handen en vouten zich uit de buurt van de messen bevinden.
- f) Schakel de machine altijd uit vanaf de stroomvoorziening (resp. haal de accu uit de machine)
 - 1) wanneer de machine onbeheerd wordt achtergelaten;
 - 2) voordat u een blokkering wilt verwijderen;
 - 3) voordat u de machine controleert, schoonmaakt of eraan werkt;
 - 4) nadat u een vreemd object heeft geraakt;
 - 5) wanneer de machine abnormaal begint te trillen.
- g) Voorkom letsels aan voeten en handen door de messen.
- h) Zorg er altijd voor dat de ventilatieopeningen niet geblokkeerd worden.
- i) Monteer nooit metalen snijelementen.
- j) Zorg er op hellingen altijd voor dat u stevig staat.
- k) Loop, ren niet.
- l) Niet te ver reiken en te allen tijde het evenwicht houden.
- m) Raak geen bewegende onderdelen aan voordat de machine is ontkoppeld van de voeding en de bewegende onderdelen tot een volledige stop zijn gekomen.

4. Onderhoud en opslag

- a) Ontkoppel de machine van de stroomvoorziening (resp. haal de accu uit de machine) voor het uitvoeren van onderhouds- of reinigingswerkzaamheden.
- b) Gebruik alleen de aanbevolen vervangingsonderdelen en accessoires.
- c) Inspecteer en onderhoud de machine regelmatig. Laat de machine alleen door een ervaren technicus onderhouden.
- d) Bewaar de machine buiten bereik van kinderen als hij niet

in gebruik is.

BATTERIJVEILIGHEID VEILIGHEIDSinSTRUCTIES VOOR HET ACCUPACK


- a) Batterijcellen en accupacks mogen niet gedemonteerd, geopend of vernietigd worden.**
- b) Sluit accupacks niet kort. Bewaar accupacks niet willekeurig in een doos of lade waar ze elkaar kunnen kortsluiten of door geleidende voorwerpen kortgesloten kunnen worden.** Houd het accupack op een afstand van andere metalen voorwerpen als paperclips, muntstukken, sleutels, nagels, schroeven en andere kleine metalen voorwerpen die de contacten van de accupack kunnen verbinden. Kortgesloten contacten van accupacks kunnen brandwonden of brand veroorzaken.
- c) Stel accupacks niet bloot aan warmte of vuur. Vermijd opslag in direct zonlicht.**
- d) Stel accupacks niet bloot aan mechanische schokken.**

- e) Als een accu lekt dient men voorzichtig te zijn dat de vloeistof niet in contact komt met de huid of de ogen. Als dat toch gebeurt spoelt men de huid onder stromend water en raadpleegt men een arts.**
- f) Houd batterijcellen en accupacks schoon en droog.**
- g) Veeg de aansluitingen van het accupack schoon met een droge doek als ze vuil zijn geworden.**
- h) Accupacks moeten voor gebruik worden opgeladen. Lees de gebruiksaanwijzing voor de juiste laadinstructies.**
- i) Laat accupacks niet langdurig opladen als ze niet worden gebruikt.**
- j) Na een lange opslagperiode kan het nodig zijn het accupack enkele keren op te laden en te ontladen voor een optimale prestatie.**
- k) Laad alleen op met een lader met de technische gegevens van Kress. Gebruik geen andere lader dan de lader die specifiek voor dat doel met de apparatuur is**

meegeleverd.

- l) Gebruikt geen accupack dat niet bedoeld is voor gebruik met deze apparatuur.**
- m) Houd accupacks buiten het bereik van kinderen.**
- n) Bewaar de oorspronkelijke instructies van het product voor latere gebruik.**
- o) Verwijder het batterijpakket uit de apparatuur als het niet in gebruik is.**
- p) Volg de juiste procedure voor afvalverwijdering na afdanken van dit apparaat.**
- q) Gebruik geen cellen van verschillende fabrikanten, capaciteit, afmetingen of typen binnen een apparaat.**
- r) Houd de accu uit de buurt van microgolven en hoge druk**

SYMBOLEN

	Lees de gebruiksaanwijzing
--	----------------------------

	Houd omstanders op afstand.
	Draag gehoor- en oogbescherming.
	Niet blootstellen aan regen
	Afgedankte elektrische producten kunt u niet met het normale huisafval weggooien. Breng deze producten, indien mogelijk, naar een recyclecentrum bij u in de buurt. Vraag de verkoper of de gemeente naar informatie en advies over het recyclen van elektrische producten.
	Li-Ion-accu Dit product is uitgerust met een symbool dat 'gescheiden inzameling' aanduidt voor alle accu's. Ze worden dan gerecycled of gedemonteerd om de impact op het milieu te verminderen. Accu's kunnen gevaarlijk zijn voor het milieu en de menselijke gezondheid, omdat ze gevaarlijke stoffen bevatten.
	Zorg ervoor dat de batterij voorafgaand aan het verwisselen van de accessoires wordt verwijderd.
	Trimmen
	Steek niet brand
	Accu's kunnen in de waterkringloop terecht komen als ze op onjuiste wijze worden weggegooid, wat gevaarlijk kan zijn voor het ecosysteem. Gooi afgedankte accu's niet weg bij het ongesorteerde huishoudelijke afval.


2. ONDERDELENLIJST

1.	BATTERIJPAK*
2.	BATTERIJ LAAD INDICATIE
3.	VERGRENDKNOOP
4.	VARIABELE SNELHEIDSTRIGGER
5.	ECO-KNOOP
6.	BOVENSTE SCHACHT
7.	EXTRA HANDVAT
8.	ONDERSTE ASKOPPELING
9.	BESCHERMKAP
10.	DRAADSNIJDER
11.	FIJNAFSTEMMINGSKOP (STOOTSCHIJPER)
12.	TAG VRIJGEVEN

* Sommige afgebeelde of beschreven toebehoren worden niet meegeleverd.

3. TECHNISCHE GEGEVENS

Type **WG185E WG185E.X** (1-aanduiding van machines, vertegenwoordiger van Draadloze grastrimmer)

	WG185E WG185E.X**
Spanning	40 V  MAX (2x20V MAX) ***
Nominale snelheid onbelast	6000/min
Maaidiameter van de grasmaaier	38cm
Diameter draad	2.4mm
Draad lengte	Aanbevolen 4mm (dubbele uitgang)
Gewicht (Kaal gereedschap)	2.87kg

** X = 1-999, A-Z, M1-M9 zijn alleen voor verschillende klanten, er zijn geen veiligheidsgerelateerde wijzigingen tussen deze modellen.

*** Spanning gemeten zonder belasting.

Beginspanning batterij bereikt maximum 20 volt.

Nominale spanning is 18 volt.

JAVASOLT AKKUMULÁTOROK ÉS TÖLTŐK

Categorie	Modellen	Hoedanigheid
20V Accupack	WA3014	4.0Ah
	WA3644	4.0Ah
20V Lader	WA3883	4.0A

We raden u aan om accessoires te kopen in de winkel waar het gereedschap wordt verkocht. Zie het accessoirepakket voor meer informatie. Winkelpersoneel kan u helpen en adviseren.

GELUIDSPRODUCTIE

A- gewogen geluidsdruk $L_{pA} = 78.4 \text{ dB(A)}$

$K_{pA} = 3 \text{ dB(A)}$

A- gewogen geluidsvermogen $L_{wA} = 92.5 \text{ dB(A)}$

$K_{wA} = 3 \text{ dB(A)}$

Draag oorbescherming.



TRILLINGSGEGEVENS

Gewogen trillingswaarde $a_n < 2.5 \text{ m/s}^2$

Onzekerheid $K = 1.5 \text{ m/s}^2$

De aangegeven totale trillingswaarde kan worden gebruikt om het ene gereedschap te vergelijken met het andere, en kan ook worden gebruikt in een voorlopige beoordeling van de blootstelling.

WAARSCHUWING: De trillings emissie waarde tijdens het feitelijke gebruik van dit elektrisch gereedschap kan afwijken van de opgegeven waarde, afhankelijk van de wijze waarop het gereedschap wordt gebruikt, zoals in de volgende voorbeelden: Hoe het gereedschap wordt gebruikt en welk materiaal wordt gesneden of geboord. Of het gereedschap in goede staat verkeerd en correct wordt onderhouden. Gebruik van de juiste toebehoren voor het gereedschap en of deze scherp zijn en in goede staat verkeren. De stevigheid van de grip op de handgrepen en het eventuele gebruik van antivibratie- accessoires.

En of het gereedschap wordt gebruikt waarvoor het ontworpen is en in overeenstemming met deze instructies.

Dit gereedschap kan een trillingssyndroom in de handen en armen veroorzaken als het niet op de juiste wijze gehanteerd wordt.

! **WAARSCHUWING:** Voor de nauwkeurigheid moet bij een schatting van het blootstellingsniveau in de feitelijke gebruiksomstandigheden rekening worden gehouden met alle delen van de bedrijfscyclus, zoals het moment waarop het gereedschap wordt uitgeschakeld en terwijl het gereedschap in werking is zonder daadwerkelijk gebruikt te worden. Dit kan het blootstellingsniveau over de totale werkperiode aanzienlijk verminderen.
 Help de blootstelling aan trillingen te minimaliseren. Gebruik ALTIJD scherpe beitels, boren en messen. Onderhoud het gereedschap in overeenstemming met deze instructies en houd het goed gesmeerd (indien van toepassing).
 Schaf antivibratie- accessoires aan wanneer u het gereedschap geregeld gebruikt.
 Plan de werkzaamheden zodat de taken met veel trillingen over een aantal dagen verspreid worden.

4.ASSEMBLAGE & BEDIENING

Action	Figure
Assembly	
Montage van de extra handgreep	Zie Fig. A1,A2,A3
Verwijderen van de buisplug OPMERKING: Voordat u de stang monteert, moet u eerst de buisplugbescherming van de machine verwijderen.	Zie Fig. B1
De stang installeren	Zie Fig. B2
De veiligheidskap monteren Steek de metalen beugel in de gleuf van de beschermkap en zet de beschermkap vervolgens vast met schroeven en een inbussleutel.	Zie Fig. C

Het accupack verwijderen of plaatsen OPMERKING: <ul style="list-style-type: none"> • Deze grasmaaier zal alleen werken als beide accu's zijn gemonteerd. Gebruik altijd dezelfde twee accu's en laad de twee accu's op hetzelfde moment op. • Bij gebruik van twee batterijen met verschillende ampère-uren of laadniveaus werkt de machine met de kleinste gemene deler. • Een 4.0Ah of hoger batterijpakket wordt aanbevolen voor betere prestaties en langere looptijd. 	Zie Fig. D1, D2
Controleren van de laadtoestand van het accupack OPMERKING: Fig. D3 is alleen geschikt voor het accupack met indicatielampje voor de accu.	Zie Fig. D3
Laden van het accupack OPMERKING: <ul style="list-style-type: none"> • het accupack wordt onopgeladen geleverd. Voor de eerste keer maaien moet het accupack volledig worden opgeladen. • Laad de twee accu's altijd op hetzelfde moment op. U vindt meer gedetailleerde informatie in de handleiding voor het laadapparaat. 	Zie Fig. D4
Batterij laad indicatie op de machine Zie bijzonderheden in het gedeelte ACCUSTATUS	Zie Fig. D5
BEDIENING	
BEDIENING : ! WAARSCHUWING! De slijpkop blijft draaien nadat de maaier is uitgeschakeld. Wacht tot de kop is gestopt voordat u het gereedschap neerlegt. Druk eerst op de vergrendelknop en druk vervolgens op de schakelaar om de machine te starten.	Zie Fig. E
Energiebesparende snelheid Om de looptijd te verlengen, drukt u op de ECO-knop en schakelt u de trekker in, en de machine draait op lage snelheid.	Zie Fig. F
TRIMMEN	Zie Fig. G
Ongelijke-feed	Zie Fig. H

<p>De trimmerkop monteren en demonteren</p> <p>Steek een inbussleutel in het gat en draai de trimmerkop totdat deze stopt in de vergrendelde positie. Verwijder het vervolgens door het linksom te draaien en monteer het vervolgens door het met de klok mee te draaien.</p>	<p>Zie Fig. I</p>
<p>Windende trimmer</p> <p>Stap 1: Verwijder de batterij uit de trimmer.</p> <p>Stap 2: Draai de trimmerkop in de richting van de pijl zodat deze uitgelijnd is met het oogje.</p> <p>Stap 3: Steek de draad in het oogje (J2) en duw de draad totdat het uiteinde van de draad uit het tegenoverliggende oogje komt.</p> <p>Stap 4: Trek de draad aan de andere kant totdat gelijke lengtes van de draad aan beide zijden van de trimmerkop verschijnen (niet meer dan 2 meter aan elke kant).</p> <p>Stap 5: Draai aan de kop om de draad te laden.</p> <p>NOTITIE: De spoel moet worden opgewonden terwijl deze zich in de trimmerkop bevindt. De spoel mag niet met draad worden omwikkeld en vervolgens in de trimmerkop worden geïnstalleerd.</p>	<p>Zie Fig. J1,J2,J3</p>

<p>Twee, drie of vier groen lampjes branden.</p>	<p>De twee accu's hebben restvermogen. Hoe meer lampjes oplichten, hoe meer accuvermogen.</p>
<p>Er brandt maar één groen lampje (■□□□).</p>	<p>Minstens één accu is leeg en moet worden opgeladen.</p>
<p>Er brandt geen enkel lampje.</p>	<p>Minstens één accu is niet geheel geïnstalleerd of de accu is defect.</p>
<p>Er brandt maar één lampje tweemaal per cyclus.</p>	<p>Tenminste één accu is te ver ontladen (raadpleeg de oplaadstatus van de accu). Laad de twee accu's tegelijk op voordat u ze opnieuw gebruikt of opslaat.</p>
<p>Er brandt maar één lampje driemaal per cyclus.</p>	<p>Minstens één accu is heet. Wacht totdat hij is afgekoeld, voordat u opnieuw opstart.</p>
<p>Er brandt maar één lampje viermaal per cyclus.</p>	<p>Het apparaat is overbelast. Haal het apparaat uit het snoeigebied en probeer het nog eens.</p>

BEDIENINGSINSTRUCTIES



WAARSCHUWING! De lader en het accupack zijn speciaal ontworpen om samen gebruikt te worden. Gebruik dus geen andere apparaten. Steek nooit metalen voorwerpen in de lader of in het accupack om elektrische defecten en ongelukken te voorkomen.

1. Bump line voersysteem (Zie Fig. H)

De trimmer is uitgerust met een bufferleidingsstelsel. Wanneer u de kop van de trimmer aanraakt terwijl de machine draait, wordt de nieuwe regel uitgevoerd.

2. Windende trimmer (WA0201) (Zie Fig. J1,J2)

Leid de vervangende lijn door het oogje en voer deze vanaf de andere kant in. Zorg ervoor dat beide uiteinden van de draad plat zijn aan de uiteinden van de trimkop (aanbevolen 2 m) en snijd de draad door. Draai de knop met de klok mee om de draad op de spoel te winden totdat er 19 cm links en rechts is.

OPSLAG



Verwijder steeds na gebruik het batterijpakket uit de trimmer. Uw trimmer opslaan

BATTERIJ STATUS (Zie Fig. D5)

Druk vóórdat u start of na gebruik de knop in naast het vermogensindicatielampje op de machine om de accucapaciteit te controleren. De accucapaciteit zal automatisch door de accuvermogensindicator worden aangegeven.

De indicator controleert en toont de accutoestand als volgt.

Voor een machine met 2 accupacks met verschillend vermogen toont het vermogensindicatielampje de accutoestand van de accu die het minste vermogen bevat.

Indicatie voor de status van het accuvermogen	Accustatus
<p>Vijf groene lampjes (■ ■ ■ ■ ■) branden.</p>	<p>De twee accu's zijn geheel opgeladen.</p>

De trimmer is voorzien van een haak om hem aan de muur te kunnen ophangen. **(Zie Fig. K)**
Bewaar hem op een droge plaats, waar de trimmer en de accu beschermd worden tegen beschadiging

5. ONDERHOUD



Verwijder steeds na gebruik het batterijpakket uit de trimmer.

Controleer het product steeds voor gebruik op schade.

Trek de voedingskabel uit de aansluiting voordat gebruiken.

Dit elektrische gereedschap hoeft niet extra gesmeerd of onderhouden te worden. Dit gereedschap bevat geen onderdelen waaraan de gebruiker onderhoud kan of moet uitvoeren. Gebruik nooit water of chemische reinigingsmiddelen voor het schoonmaken van uw elektrische gereedschap. Veeg het schoon met een droge doek. Bewaar uw elektrische gereedschap altijd op een droge plek. Houd de ventilatiegaten van de motor schoon. Houd alle bedieningselementen vrij van stof.

6. BESCHERMING VAN HET MILIEU



Afgedankte elektrische producten kunt u niet met het normale huisafval weggoien. Breng deze producten, indien mogelijk, naar een recyclecentrum bij u in de buurt. Vraag de verkoper of de gemeente naar informatie en advies over het recyclen van elektrische producten.

7. CONFORMITEITVERKLARING

Wij,
Positec Germany GmbH
Postfach 32 02 16, 50796 Cologne, Germany

Verklaren dat het product,
Beschrijving **Draadloze grastrimmer**
Type **WG185E WG185E.X (1-aanduiding van machines, vertegenwoordiger van Draadloze grastrimmer)**
Functie **maaieren van gras en andere zachte vegetatie en voor het trimmen van grasranden**
Overeenkomt met de volgende richtlijnen,
2006/42/EC, 2014/30/EU, 2011/65/EU & (EU)2015/863, 2000/14/EC gewijzigd door 2005/88/EC

2000/14/EC gewijzigd door 2005/88/EC:
- Procedure beoordeling conformiteit volgens **Annex VI**
- Niveau gemeten geluidsvermogen **92.5 dB (A)**
- Opgegeven, gegarandeerde niveau geluidsvermogen **96 dB (A)**

De betrokken aangemelde instantie
Naam: Intertek Deutschland GmbH (notifizierte Stelle 0905)
Adres: Stangenstraße 1, 70771 LEINFELDEN-ECHTERDINGEN

Standaards in overeenstemming met,
EN 60335-1, EN 50636-2-91, EN 62233, EN ISO 3744, EN IEC 55014-1, EN IEC 55014-2, EN IEC 63000

De persoon die bevoegd is om het technische bestand te compileren,

Naam Marcel Filz
Adres Positec Germany GmbH
Postfach 32 02 16, 50796 Cologne, Germany



2023/09/12
Allen Ding
Plaatsvervangend Chief Ingenieur, Testen en Certificering
Positec Technology (China) Co., Ltd
18, Dongwang Road, Suzhou Industrial Park, Jiangsu 215123, P. R. China

8. PROBLEMEN OPLOSSEN

De volgende tabel toont problemen en handelingen die u kunt uitvoeren als de machine niet goed werkt.



Waarschuwing: schakel de machine uit en verwijder de batterij voordat u aan het werk gaat om een probleem op te lossen.

Problemen	Mogelijke oorzaken	Herstelhandeling
Trimmer werkt niet.	Batterij leeg. Batterij te heet of te koud. Motor defect. Interne bedrading van de machine is beschadigd. Motor defect.	Laad de batterij; u vindt meer gedetailleerde informatie in de handleiding voor het laadapparaat. Laat hem afkoelen of opwarmen. Neem contact op met reparatiecentrum. Neem contact op met reparatiecentrum.
Trimmer werkt intermitterend.	Batterij niet volledig opgeladen. Aan/uit-schakelaar defect. Machine defect.	Laad batterij op. Neem contact op met reparatiecentrum. Neem contact op met reparatiecentrum.
Veel trillingen en lawaai.	Spoel is niet goed opgewikkeld.	Wikkel de lijn opnieuw op. Zie "Spoel en lijn monteren."
Bedrijfsduur per batterijlading is te kort.	Batterij is langere tijd niet gebruikt of slechts even opgeladen. Gras te hoog Batterij defect.	Laad de batterij volledig op; u vindt meer gedetailleerde informatie in de handleiding voor het laadapparaat. Snij in lagen. Vervang de batterij.
Machine snijdt niet.	Lijn gebroken. Batterij niet volledig opgeladen. Motor is defect (snelheid te laag). Gras om de snijkop gewikkeld.	Vervang de lijn. Laad de batterij volledig op; u vindt meer gedetailleerde informatie in de handleiding voor het laadapparaat. Neem contact op met reparatiecentrum. Verwijder gras.
Lampje van de batterijlader brandt continu. Laden is niet mogelijk.	Batterij niet (goed) in de lader gestoken. Contacten van batterij vervuild. Batterij defect.	Steek de batterij goed in de lader. Maak de contacten schoon of vervang de batterij. Vervang de batterij.
Lampje van de batterijlader brandt niet.	Stekker van lader niet (goed) in stopcontact of batterijlader Stopcontact, aansluitkabel of batterijlader defect.	Steek de stekker (volledig) in het stopcontact Controleer de netspanning, laat de batterijlader controleren door een bevoegde reparatiecentrum.

INDHOLDSFORTEGNELSE

1. PRODUKTSIKKERHED
2. AGGREGATELEMENTER
3. TEKNISKE DATA
4. BETJENINGSVEJLEDNING
5. VEDLIGEHOLDELSE
6. MILJØBESKYTTELSE
7. KONFORMITETSERKLÆRING
8. FEJLFINDING

Brugere kan se den elektroniske vejledning på <https://eu.worx.com>.

1. PRODUKTSIKKERHED GENERELLE ADVARSLER I FORBINDELSE



ADVARSEL Læs samtlige anvisninger.

Manglende overholdelse af nedenstående anvisninger kan resultere i elektrisk stød, brand og/eller alvorlig personskade.

Gem alle advarsler og instruktioner for fremtidig reference.

Apparatet må kun anvendes sammen med den leverede strømforsyningsenhed.

**VIGTIGT
LÆS OMHYGGE LIGT FØR
BRUG
GEM TIL FREMTIDIG
REFERENCE**

Sikkerhedspraksisser

1. Træning

- a) Læs instruktionerne omhyggeligt. Lær kontrollerne at kende og den korrekte brug af apparatet.
- b) Lad aldrig børn, personer med nedsatte fysiske, sensoriske eller mentale evner eller manglende erfaring og viden, eller folk der ikke kender disse instruktioner bruge maskinen; lokale regler kan begrænse alderen for operatøren.
- c) Operatøren, eller brugeren er ansvarlig for ulykker eller fare, der opstår på andre mennesker eller deres ejendom.

2. Forberedelse

- a) Før brug skal du altid visuelt inspicere maskinen for beskadigelse, mangler eller malplacerede vagter eller skjolde.
- b) Maskinen må aldrig køre, mens mennesker, specielt børn, eller kæledyr er i nærheden.

3. Drift

- a) Bær øjenbeskyttelse, lange bukser og sikkerhedssko hele tiden, når du arbejder med maskinen.
- b) Undgå brug af maskinen under dårlige vejrforhold,

specielt ved risiko for lyn.

- c) Brug kun maskinen i dagslys eller med godt kunstigt lys.
- d) Benyt aldrig maskinen, når vagter og skjolde er beskadigede eller mangler.
- e) Tænd kun for motoren, når hænder og fødder er fjernet fra de skærende dele.
- f) Afbryd altid maskinen fra strømforsyningen (fjern f.eks. stikket fra maskinen)
 - 1) når maskinen efterlades uden opsyn;
 - 2) før du fjerner en blokering;
 - 3) før kontrol, rengøring og før der arbejdes på maskinen;
 - 4) efter at du har ramt et fremmedlegeme;
 - 5) når maskinen begynder at vibrere unormalt.
- g) Vær opmærksom på at undgå skade på fødder og hænder fra de skærende dele.
- h) Forvis dig altid om at ventilationsåbningerne holdes fri for affald.
- i) Monter aldrig metalskæreblade.
- j) Hold altid dit fodfæste på hældninger.
- k) Gå, løb aldrig.
- l) Sørg for hele tiden at holde balancen.
- m) Rør ikke ved de farlige, bevægelige dele før maskinen

er afbrudt fra strømmen, og de bevægelige, farlige dele er stoppet med at bevæge sig.

4.Vedligeholdelse og opbevaring

- a) Afbryd maskinen fra strømforsyningen (fjern f.eks. stikket fra maskinen) før der udføres vedligeholdelsesarbejde eller rengøring af maskinen.
- b) Benyt kun producentens anbefalede reservedele og tilbehør.
- c) Inspicer og vedligehold maskinen regulært. Få maskinen repareret af en autoriseret mekaniker.
- d) Når redskabet ikke bruges, skal det opbevares uden for børns rækkevidde.

BATTERISIKKERHED SIKKERHEDSFORSKRIFTER TIL BATTERISÆT

- a) Sekundærelementer eller batterisæt må ikke skilles ad, åbnes eller knuses.**
- b) Et batterisæt må ikke kortsluttes. Batterisæt må ikke opbevares lemfældigt i en kasse eller skuffe, hvor de kan kortslutte hinanden eller kortsluttes**

af ledende genstande. Når batterisættet ikke er i brug, skal det holdes væk fra andre metalgenstande, såsom papirclips, mønter, nøgler, søm, skruer eller andre små metalgenstande, der kan skabe en forbindelse fra en pol til en anden, Kortslutning af batteripoler kan medføre forbrændinger eller brand.

c) Batterisæt må ikke udsættes for varme eller ild. Må ikke opbevares i direkte sollys.

d) Batterisæt må ikke udsættes for mekaniske stød.

e) I tilfælde af at et batteri lækker, må væsken ikke komme i kontakt med huden eller øjne. Hvis der er sket kontakt, skal det berørte område vaskes med rigelige mængder vand, hvorefter der søges lægehjælp.

f) Opbevar batterisæt på et rent og tørt sted.

g) Aftør batterisættets poler med en tør klud, hvis de bliver snavsede.

h) Batterisæt skal oplades før anvendelsen. Anvend altid den korrekte oplader, og læs producentens

anvisninger eller brugervejledning for, hvordan batterierne oplades korrekt.

i) Et batterisæt må ikke efterlades til opladning i længere tid, hvis det ikke anvendes.

j) Efter længere opbevaringsperioder kan det være nødvendigt at oplade eller aflade batterisættet flere gange for at op den optimale ydelse.

k) Genoplad kun med laderen specificeret af Kress. Anvend ingen anden oplader end den, der specifikt er beregnet til brug med udstyret.

l) Brug kun det korrekte batteri til udstyret.

m) Batterisættet skal opbevares utilgængeligt for børn.

n) Opbevar den originale produktliteratur til fremtidig brug.

o) Batterisættet skal fjernes fra udstyret, når det ikke er i brug.

p) Bortskaffes på en miljørigtig måde.

q) Bland ikke batterier af forskellig fremstilling,

kapacitet, størrelse eller type i enheden.

r) Hold batteriet væk fra mikrobølgeovne og højt tryk.

SYMBOLER

	Læs brugsanvisningen
	Holdts tilskuere væk
	Bær øjenbeskyttelse og høreværn
	Må ikke udsættes for regn
	Affald af elektriske produkter må ikke bortskaffes sammen med husholdningsaffald. Indlever så vidt muligt produktet til genbrug. Kontakt de lokale myndigheder eller forhandleren, hvis du er i tvivl.
	Li-Ion-batteri Dette produkt er mærket med et "separat indsamling" -symbol til alle batterier og batteripakker. Genanvend derefter eller fjern det for at reducere påvirkningen på miljøet. Batteripakken indeholder skadelige stoffer, der kan være skadelige for miljøet og menneskers sundhed.
	Fjern batteriet fra holderen før udførelse af justeringer, eftersyn eller vedligeholdelse.
	Trimning

	Må ikke brændes
	Hvis det ikke håndteres korrekt, kan batteriet muligvis komme ind i vandcyklussen, hvilket kan forårsage skade på økosystemet. Bortskaf ikke brugte batterier som usorteret kommunalt affald.

2.AGGREGATELEMENTER

1. **BATTERIPAKKE ***
2. **BATTERIINDIKATORLYS**
3. **LÅSEKNAP**
4. **HASTIGHEDSVÆLGER**
5. **ECO-KNAP**
6. **ØVRE AKSEL**
7. **EKSTRA HÅNDTAG**
8. **NEDRE AKSEL**
9. **SIKKERHEDSSKÆRM**
10. **LINE SKÆR**
11. **FINJUSTERINGSHOVED (STØDHOVED)**
12. **UDGIVELSESMÆRKE**

* Illustreret eller beskrevet tilbehør er kun delvis indeholdt i leverancen.

3.TECHNICAL DATA

Type **WG185E WG185E.X** (1 betegnelse af maskineri, repræsenteret ved Ledningsfri græstrimmer)

	WG185E WG185E.X**
Spænding	40V MAX (2x20V MAX) ***
Indlæsningshastighed	6000/min
Plæneklipper skærediameter	38cm
Tråddiameter	2.4mm
Kabellængde	Anbefalede 4m (To udgange)
Maskinens (Bare værktøjer)	2.87kg

** X = 1-999, A-Z, M1-M9 er kun til forskellige kunder, der er ingen sikkerhedsrelaterede ændringer mellem disse modeller

*** Spænding målt uden belastning. Indledende batterispænding når højst 20 volt. Nominel spænding er 18 volt.

ANBEFALEDE BATTERIER OG OPLADERE

Kategori	typen	Kapacitet
20V batteri	WA3014	4.0Ah
	WA3644	4.0Ah
20V oplader	WA3883	4.0A

Vi anbefaler, at du køber tilbehør fra den butik, hvor værktøjet sælges. Se tilbehørspakken for flere detaljer. Butikspersonale kan hjælpe og rådgive dig.

STØJINFORMATION

A-vægtet lydtryksniveau	$L_{pA} = 78.4 \text{ dB(A)}$
K_{pA}	3 dB(A)
A-vægtet lydeffektniveau	$L_{WA} = 92.5 \text{ dB(A)}$
K_{WA}	3 dB(A)
Bær høreværn.	

VIBRATIONSINFORMATION

Typisk vægtet vibration	$a_h < 2.5 \text{ m/s}^2$
Usikkerhed	$K = 1.5 \text{ m/s}^2$

Den erklærede samlede vibrationsstyrke kan bruges til at sammenligne et værktøj med et andet, og kan også bruges til en foreløbig vurdering af eksponeringen.

ADVARSEL: Vibrationsværdien under den faktiske brug af maskinværktøjet kan afvige fra den opgivne værdi afhængigt af måderne, værktøjet benyttes på. Se følgende eksempler på, hvad vibrationerne kan afhænge af:

Hvordan værktøjet bruges og materialerne, der skæres eller bores i.

Værktøjets stand og vedligeholdelse.

Anvendelse af korrekt tilbehør og kontrol med, at det er skarpt og i en i det hele taget god tilstand.

Hvor kraftigt, der holdes fast i håndtaget og, om der

benyttes antivibrationsudstyr.

Om værktøjet anvendes i henhold til dets konstruktion og nærværende anvisninger.

Værktøjet kan medføre et hånd/arm-vibrationssyndrom, hvis det ikke bruges på rigtig måde.

ADVARSEL: En vurdering af udsættelsesgraden under det aktuelle brug skal omfatte alle dele af arbejdsryklussen, herunder antallet af gange værktøjet slås til og fra, og tomgangsdriften uden for selve arbejdsopgaven. Dette kan afgørende reducere udsættelsesniveauet i den samlede arbejdsperiode. Sådan kan du minimere risikoen for udsættelse for vibrationer:

Brug ALTID skarpe mejsler, bor og blade.


Vedligehold værktøjet i overensstemmelse med disse instruktioner og hold det korrekt smurt (hvor det er nødvendigt).

Hvis værktøjet bruges ofte, bør du anskaffe antivibrationsudstyr.

Planlæg dit arbejde, så du kan fordele arbejde med kraftige vibrationer over flere dage.

4.SAMLING OG BETJENINGS

Handling	Figur	75
Assembly		
Sådan samles hjælpehåndtaget	Se Fig. A1,A2,A3	
Fjernelse af rørproppen BEMÆRK: Før du samler stangen, skal du først fjerne rørpropbeskytteren på maskinen.	Se Fig. B1	
Samling af stangen	Se Fig. B2	
Montering af beskyttelseskærm Indsæt metalbeslaget i spalten på sikkerhedsbeskyttelsen, og fastgør derefter sikkerhedsbeskyttelsen på plads ved hjælp af skruer og en sekskantnøgle.	Se Fig. C	

<p>Sådan fjernes eller isættes batterienheden</p> <p>BEMÆRK:</p> <ul style="list-style-type: none"> • Denne maskine vil kun virke når begge batterier er installeret. Brug altid de samme to batterier og oplad begge batterier samtidigt. • Når du bruger to batterier med forskellige amperetimer eller opladningsniveauer, kører maskinen med den laveste fællesnævner. • En 4.0Ah eller højere batteripakke anbefales til bedre ydelse og længere driftstid. 	<p>Se Fig. D1, D2</p>	<p>Montering og demontering af trimmerhovedet</p> <p>Indsæt en sekskantnøgle i hullet, og drej trimmerhovedet, indtil det stopper i den låste position. Fjern det derefter ved at dreje det mod uret, og monter det derefter ved at dreje det med uret.</p>	<p>Se Fig. I</p>								
<p>Tjek af batteriniveaets tilstand</p> <p>BEMÆRK: Fig. D3 gælder kun for batteripakken med batteriindikatorlampen.</p>	<p>Se Fig. D3</p>	<p>Vikling af trimmerlinjen</p> <p>Trin 1: Fjern batteripakken fra trimmeren.</p> <p>Trin 2: Drej trimmerhovedet i pilens retning, så det justeres med øjet.</p> <p>Trin 3: Før linen ind i øjet (J2), og skub linen fremad, indtil enden af linen kommer ud af det modsatte øje.</p> <p>Trin 4: Træk i linen fra den anden side, indtil linen er lige lang på begge sider af trimmerhovedet (maks. 2 meter på hver side).</p> <p>Trin 5: Drej trimmerhovedet for at påføre linen.</p> <p>BEMÆRK: Spolen skal vikles, mens den er inde i trimmerhovedet. Spolen må ikke indpakkes med gevind og derefter installeres i trimmerhovedet.</p>	<p>Se Fig. J1,J2,J3</p>								
<p>Oplad batteriet</p> <p>BEMÆRK:</p> <ul style="list-style-type: none"> • Batteripakken leveres uopladet. Batteriet skal være helt opladet før første brug. • Oplad altid begge batterier fuldstændigt og samtidigt. Flere detaljer kan findes i manualen. 	<p>Se Fig. D4</p>										
<p>Batteristrømindikator på maskinen</p> <p>Se detaljer i BATTERI STATUS afsnittet</p>	<p>Se Fig. D5</p>	<p>BATTERIETS STATUSLAMPE (Se Fig. D5)</p> <p>Før start eller efter brug trykkes knappen ved siden af batteri-indikatorlampen, for at kontrollere batterikapaciteten. Under drift indikeres batterikapaciteten automatisk af batteristrømindikatoren.</p> <p>Lamperne overvåger og viser hele tiden batteritilstanden som følger.</p> <p>Ved maskinen med 2 batterier med forskellig opladning viser indikatorlampen den batteritilstand med den laveste batteriopladning.</p>									
<p>BETJENINGS</p>											
<p>At begynde</p> <p> ADVARSEL! Skærehovedet fortsætter med at rotere, efter at der er slukket for trimmeren. Læg ikke redskabet fra dig, før det er stoppet. Tryk først på låseknappen, og tryk derefter på afbryderudløseren for at starte maskinen.</p>	<p>Se Fig. E</p>	<table border="1"> <thead> <tr> <th data-bbox="562 1061 748 1125">Batteriindikator status</th> <th data-bbox="748 1061 1022 1125">Batteritilstand</th> </tr> </thead> <tbody> <tr> <td data-bbox="562 1125 748 1197">Fem grønne lamper (■ ■ ■ ■ ■) lyser.</td> <td data-bbox="748 1125 1022 1197">De to batterier er fuldt opladet.</td> </tr> <tr> <td data-bbox="562 1197 748 1308">To, tre eller fire lamper lyser.</td> <td data-bbox="748 1197 1022 1308">De to batterier er ikke fuldt opladet. Desto flere lamper der lyser, desto bedre batterikapacitet.</td> </tr> <tr> <td data-bbox="562 1308 748 1366">Kun en lampe (■ □ □ □ □) lyser.</td> <td data-bbox="748 1308 1022 1366">Mindst et batteri er fladt og skal oplades.</td> </tr> </tbody> </table>		Batteriindikator status	Batteritilstand	Fem grønne lamper (■ ■ ■ ■ ■) lyser.	De to batterier er fuldt opladet.	To, tre eller fire lamper lyser.	De to batterier er ikke fuldt opladet. Desto flere lamper der lyser, desto bedre batterikapacitet.	Kun en lampe (■ □ □ □ □) lyser.	Mindst et batteri er fladt og skal oplades.
Batteriindikator status	Batteritilstand										
Fem grønne lamper (■ ■ ■ ■ ■) lyser.	De to batterier er fuldt opladet.										
To, tre eller fire lamper lyser.	De to batterier er ikke fuldt opladet. Desto flere lamper der lyser, desto bedre batterikapacitet.										
Kun en lampe (■ □ □ □ □) lyser.	Mindst et batteri er fladt og skal oplades.										
<p>ECO-hastighed</p> <p>For at forlænge køretiden skal du trykke på ECO-knappen og skifte udløseren, så maskinen kører med lav hastighed.</p>	<p>Se Fig. F</p>										
<p>Trimning</p>	<p>Se Fig. G</p>										
<p>Bump foder</p>	<p>Se Fig. H</p>										

Ingen lamper lyser.	Mindest et batteri er ikke korrekt installeret, eller batteriet er defekt.
Kun en lampe blinker 2 gange pr. cyklus.	Mindest et batteri er overopladet (se betingelser for batteriopladning). Genoplad de to batterier inden brug eller opbevaring.
En lampe blinker 3 gange pr. cyklus.	Mindest et batteri er varmt, vent til de er kølet ned, før du starter igen.
En lampe blinker 4 gange pr. cyklus.	Maskinen er overbelastet. Fjern værktøjet fra skæreo området, og prøv igen.

Kontroller altid produktet for eventuelle skader inden det benyttes

Efter brug tages batteriet ud af værktøjet og kontrolleres for beskadigelse.

Denne børe-/skruemaskine kræver ikke særlig smøring eller vedligeholdelse. Børe-/skruemaskinen må kun serviceres og repareres i et professionelt værksted. Brug aldrig vand eller kemiske rengøringsmidler til rengøring. Må kun rengøres med en tør klud. Opbevares på et tørt sted. Hold motorens ventilationsåbninger rene. Knapperne o.l. skal være rene og frie for støv.

6. MILJØBESKYTTELSE



Affald af elektriske produkter må ikke bortskaffes sammen med husholdningsaffald. Indlever så vidt muligt produktet til genbrug. Kontakt de lokale myndigheder eller forhandleren, hvis du er i tvivl.

BETJENINGSVEJLEDNING



ADVARSEL! Oplader og batterienhed er specielt beregnet til at blive brugt sammen.

Brug ikke andre batterienheder eller opladere. Sæt aldrig metalgenstande ind i opladeren eller batterienheden. Dette kan føre til elektrisk fejl, der kan medføre fare

1. Fodringsystem til bumpline (See Fig. H)

Trimmeren er udstyret med et puffersystem. Hver gang du rører ved hovedet på trimmeren, mens maskinen kører, udsendes den nye linje.

2. Vikling af trimmerlinjen (WA0201) (See Fig. J1, J2)

Før udskiftningslinjen gennem øjet, og før den fra den anden side. Sørg for, at begge ender af ledningen er flade i enderne af beskæringshovedet (anbefalede 2 m), og klip derefter wiren. Drej drejeknappen med uret for at vinde tråden på spolen, indtil der er 19 cm til venstre og højre.

LAGRING AF DIN GRÆSTRIMMER



Fjern altid batteriet fra din trimmer efter brug.

Opbevaring af din græstrimmer

Trimmeren er udstyret med en rille til at opbevare trimmeren på væggen. (See Fig. K)
Opbevar på et tørt sted, hvor trimmeren kan være beskyttet mod beskadigelser.

5. VEDLIGEHOLDELSE



AFjern altid batteriet fra din trimmer efter brug.

7. KONFORMITETSERKLÆRING

Vi,
Positec Germany GmbH
Postfach 32 02 16, 50796 Cologne, Germany

Erklærer herved, at produktet

Beskrivelse **Batteridrevet kantklipper**

Type **WG185E WG185E.X (1- betegnelse af maskineri, repræsenteret ved Ledningsfri græstrimmer)**

Funktioner **græsslåning og lignende blød plantevækst og til trimning af græskanter**

Er i overensstemmelse med følgende direktiver:

2006/42/EC, 2014/30/EU, 2011/65/EU & (EU)2015/863, 2000/14/EC ændret ved 2005/88/EC

2000/14/EC ændret ved 2005/88/EC:

- Konformitetstestprocedure pr **Anneks VI**
- Målt niveau for lydeffekt **92.5 dB (A)**
- Deklareret garanteret niveau for lydeffekt **96 dB (A)**

Standarder i overensstemmelse med

Navn: Intertek Deutschland GmbH (notificierte Stelle 0905)

Adresse: Stangenstraße 1, 70771 LEINFELDEN-ECHTERDINGEN

Standarder i overensstemmelse med

EN 60335-1, EN 50636-2-91, EN 62233, EN ISO 3744, EN IEC 55014-1, EN IEC 55014-2, EN IEC 63000

Personen, autoriseret til at udarbejde den tekniske fil,

Navn **Marcel Filz**
Adresse **Positec Germany GmbH**
Postfach **32 02 16, 50796 Cologne, Germany**



2023/09/12
Allen Ding
Vicechef; Ingeniør, Test & Certificering
Positec Technology (China) Co., Ltd
18, Dongwang Road, Suzhou Industrial
Park, Jiangsu 215123, P. R. China

8.FEJLFINDING

Følgende skema indeholder mulige problemer og handlinger, som du kan lave hvis dit værktøj ikke virker ordentligt.



ADVARSEL: Sluk for værktøjet og tag batteriet ud, før du begynder at lede efter fejlen.

Problem	Mulig årsag	Mulig løsning
78 Trimmeren vil ikke starte.	Batteriet er fladt. Batteriet er for varmt/koldt. Motor er gået i stykker. Kablerne inden i værktøjet er gået i stykker.	Genoplad batteriet.; se også indholdet i opladermanualen. Lad batteriet køle ned/varme op. Kontakt din forhandler. Kontakt din forhandler.
Trimmeren går ind i mellem i gang	Motoren er gået i stykker. Batteriet er ikke ladet op. Tænd/sluk-knappen er gået i stykker.	Kontakt din forhandler. Genoplad batteriet. Kontakt din forhandler.
Mange vibrationer/meget støj.	Defekt værktøj. Linen er ikke viklet ordentligt ind.	Kontakt din forhandler. Rul linen ind igen. Se "Sådan sættes spolen og linen på"
Køretid pr. batteriopladning er for kort.	Batteriet har ikke været brugt i længere tid, eller er kun blevet opladet i kort tid. Græsset er for højt. Defekt batteri.	Genoplad batteriet; se også indholdet i opladermanualen. Klip i små trin. Sæt batteriet i igen.
Værktøjet klipper ikke.	Linen er ødelagt. Batteriet er ikke opladet helt. Motoren er gået i stykker (hastigheden er for langsom). Græs sidder fast rundt om klippehovedet.	Sæt en ny line i. Genoplad batteriet. Se også "SÅDAN OPLADES BATTERIET". Kontakt din forhandler. Fjern græsset.

Batteriopladningsindikatoren lyser konstant. Ikke muligt at oplade batteriet.	Batteriet er ikke sat (ordentligt) i. Batterikontakterne er forurenet. Ødelagt batteri.	Sæt batteriet ordentligt i batteriopladeren. Rengør batterikontakterne, eller skift batteriet ud. Skift batteriet.
Batteriopladningsindikatoren begynder ikke at lyse.	Stikket til batteriopladeren er ikke sat (ordentligt) i. Ødelagt stikkontakt, ledning eller batterioplader.	Sæt stikket (helt) ind i stikkontakten. Tjek spændingen i stikkontakten. Få batteriopladerne set efter på et godkendt eftersalgscener.

INNHOLDFORTEGNELSE

1. PRODUKTSIKKERHET
2. APPARATELEMENTER
3. TEKNISKE DATA
4. BRUKSANVISNING
5. VEDLIKEHOLD
6. MILJØVERNILTAK
7. SAMSVARERKLÆRING
8. PROBLEMLØSNING

Brukere finner elektroniske instruksjoner på <https://eu.worx.com>.

1. PRODUKTSIKKERHET GENERELLE SIKKERHETSADVARSLER



ADVARSEL! Les alle instruksjoner. Hvis du unnlater å følge instruksjonene under, kan det resultere i elektrisk støt, brann og/eller alvorlig skade.

Ta vare på alle advarsler og veiledninger for fremtidig referanse.

Dette produktet må bare benyttes med den medfølgende strømkilden.

VIKTIG LES OMHYGGELIG FØR BRUK BEHOLDNES FOR SENERE BRUK

Sikker driftspraksis

1. Opplæring

- a) Les anvisningene grundig.

Bli kjent med kontrollene og bruken av maskinen.

- b) La aldri barn, personer med reduserte fysiske, sensoriske eller mentale evner eller mangel på erfaring og kunnskap, eller personer som ikke kjenner til disse instruksjonene bruke maskinen, lokale bestemmelser kan sette grenser for alder på operatør.
- c) Operatøren eller brukeren er ansvarlig for ulykker eller farer som inntreffer i forhold til andre personer eller eiendommer.

2. Forberedelser

- a) Før bruk må maskinen alltid inspiseres for skadde, manglende eller forlagte vern eller skjerm.
- b) Ikke bruk maskinen når spesielt barn eller husdyr er i nærheten.

3. Drift

- a) Bruk øyevern, lange bukser og kraftig sko til enhver tid når maskinen brukes.
- b) Unngå å bruke maskinen i dårlig vær, spesielt når det er risiko for lyn.
- c) Bruk maskinen kun i dagslys eller ved god kunstig belysning.

- d) Bruk aldri maskinen med skadde vern eller skjermer, eller uten vern eller skjermer på plass.
- e) Slå på motoren kun når hender og føtter er vekk fra kuttemidlene.
- f) Koble alltid maskinen fra strømforsyningen (f.eks. dra pluggen ut av kontakten)
 - 1) når maskinen forlates uten tilsyn;
 - 2) før du fjerner en blokkering;
 - 3) før du skal sjekke, rengjøre eller arbeide på maskinen;
 - 4) etter at du har kjørt på et fremmedlegeme.;
 - 5) når maskinen begynner å vibrere unormalt.
- g) Unngå skader på føtter og hender fra kuttemidlene.
- h) Forsikre at ventilasjonsåpninger aldri er tildekket av rester.
- i) Aldri bruk skjæreelementer av metall.
- j) Pass alltid på at du står støtt i skråninger.
- k) Gå, løp aldri.
- l) Ikke forstrekk deg, og hold balansen hele tiden.
- m) Ikke berør bevegelige farlige deler før maskinen er koblet fra strømforsyningen, og bevegelige farlige deler har stoppet helt opp.

4.Vedlikehold og lagring

- a) Koble maskinen fra strømforsyningen (f.eks. fjern pluggen fra kontakten) før utføring av vedlikehold eller rengjøringsarbeide.
- b) Bruk kun produsentens anbefalte reservedeler og tilbehør.
- c) Undersøk og vedlikehold maskinen jevnlig. Maskinen må kun repareres av en autorisert reparatør.
- d) Når den ikke er i bruk, bør den oppbevares utilgjengelig for barn.

BATTERISIKKERHET SIKKERHETSANVISNINGER FOR BATTERIPAKKE

- a) Ikke demonter, åpne eller riv opp sekundære celler eller batteripakker.**
- b) Ikke kortslutt en celle eller en batteripakke. Ikke oppbevar celler eller batteripakke løst i en boks eller skuff hvor de kan kortslutte hverandre eller bli kortsluttet av andre metallgjenstander.** Når batteripakken ikke er i bruk skal den holdes adskilt fra andre metallgjenstander som binders, mynter, nøkler,

spiker, skruer eller andre små metalobjekter. Kortslutning av batteriet kan forårsake skader eller brann.

- c) Ikke utsett celler eller batteripakke for varme eller ild. Unngå oppbevaring i direkte sollys.**
- d) Ikke utsett celler eller batteripakke for mekanisk støt.**
- e) Hvis du opplever cellelekkasje, ikke la væsken komme i kontakt med huden eller øynene. Dersom kontakt har oppstått, vask området med rikelige mengder vann og oppsøk medisinsk hjelp.**
- f) Hold batteripakken ren og tørr.**
- g) Tørk batteripakkekontaktene med en ren, tørr klut hvis de blir skitne.**
- h) Batteripakken må lades før bruk. Bruk denne instruksjonen og korrekt ladeprosedyre.**
- i) Ikke ha batteripakken til ladning når den ikke er i bruk.**
- j) Etter en lang lagringsperiode kan det**

være nødvendig å lade og utlade batteripakken flere ganger for å oppnå maksimal ytelse.

- k) Bruk kun batterilader spesifisert av Worx. Bruk ikke andre ladere enn de som er levert for bruk med utstyret.**
- l) Tikke bruk batteripakker som ikke er beregnet for bruk sammen med utstyret.**
- m) Hold batteripakken utenfor barns rekkevidde.**
- n) Ta vare på den originale bruksanvisningen for fremtidig bruk**
- o) Ta ut batteriene fra utstyret når det ikke er i bruk**
- p) Kvitt deg med produktet på forsvarlig måte.**
- q) Ikke bland batterier av forskjellig produksjon, kapasitet, størrelse eller type i enheten.**
- r) Hold batteriet unna mikrobølger og høyt trykk.**

SYMBOLER

	Les manualen
	Hold tilskuere på avstand
	Bruk øye- og hørselsvern
	Må ikke utsettes for regn
	Avfall etter elektriske produkter må ikke legges sammen med husholdningsavfall. Vennligst resirkuler avfallet der dette finnes. Undersøk hos de lokale myndighetene eller en detaljist for resirkuleringsråd.
	Litium-ion-batterier Dette produktet er merket med symboler tilknyttet "separat samling" av alle batteripakker og batteripakker. Du kan deretter resirkulere eller fjerne den for å redusere påvirkningen på miljøet. Batteripakken inneholder skadelige stoffer som kan være skadelige for miljøet og menneskers helse.
	Fjern batteriet fra strømtilkoblingen før du utfører noen justeringer, service eller vedlikehold.
	Klipping
	Ikke brenn



Hvis det ikke håndteres riktig, kan batteriet komme inn i vannsyklusen, noe som kan forårsake skade på økosystemet. Ikke kast brukte batterier som usortert kommunalt avfall.

2. APPARATELEMENTER

1. BATTERIPAKKE *
2. INDIKATORLAMPE BATTERI
3. LÅSEKNAPP
4. AVTREKKER MED VARIABEL HASTIGHET
5. ECO-KNAPP
6. ØVRE SKAFT
7. HJELPEHÅNDTAK
8. NEDRE AKSEL
9. SIKKERHETSVERN
10. LINJEKLIPPER
11. FINJUSTERINGSKODE (STØTHODE)
12. SLIPP TAG

* Ikke alt illustrert eller beskrevet tilbehør inngår i leveransen.

3. TEKNISKE DATA

Type: **WG185E WG185E.X** (1-betegnelse av maskiner, representant for ledningsfri gresstrimmer)

	WG185E WG185E.X**
Spenning	40 V MAX (2x20V MAX) ***
Nominell Tomgangshastighet	6000/min
Gressklipper kuttediameter	38cm
Linjediameter	2.4mm
Ledningslengde	Max. 4m (dobbel utgang)
Maskinens vekt (Bare verktøy)	2.87kg

** X = 1-999, A-Z, M1-M9 er kun for forskjellige kunder, det er ingen sikkerhetsrelaterte endringer mellom disse modellene

*** Spenning målt uten arbeidsmengde. Den første batterispenningen er maksimalt 20 volt. Nominell spenning er 18 volt.

FORESLÅTTE BATTERIER OG LADERE

Kategori	Typen	Kkapasitet
20V batteri	WA3014	4.0Ah
	WA3644	4.0Ah
20V lader	WA3883	4.0A

Vi anbefaler at du kjøper tilbehør fra butikken der verktøyet selges. Se tilbehørspakken for mer informasjon. Butikkpersonalet kan hjelpe og gi deg råd.

STØYINFORMASJON

Belastning lydtrykk	$L_{pA} = 78.4 \text{ dB(A)}$
K_{pA}	3 dB(A)
Belastning lydeffekt	$L_{WA} = 92.5 \text{ dB(A)}$
K_{WA}	3 dB(A)

Bruk hørselsvern.



VIBRASJONS INFORMASJON

Vanlig belastningsvibrasjon	$a_n < 2.5 \text{ m/s}^2$
Usikkerhet	$K = 1.5 \text{ m/s}^2$

Den oppgitte verdien for samlet vibrasjon kan brukes til å sammenligne verktøy og til å foreta en foreløpig vurdering av eksponering.

ADVARSEL: Vibrasjonsutslippsverdien under faktisk bruk av verktøyet kan avvike fra oppgitt verdi, avhengig av måten verktøyet brukes på og følgende eksempler og andre variasjoner i hvordan verktøyet brukes:

Hvordan verktøyet brukes og hvilke materialene som blir kuttet eller drillert.

Verktøyet er i god stand og godt vedlikeholdt.

Bruk av riktig tilbehør for verktøyet, og sørg for at det er skarpt og i god stand.

Hvor stramt grepet på håndtakene er, og om det brukes

antivibrasjonstilbehør.

Og at verktøyet blir brukt til det formålet det er tilsiktet i henhold til designet og disse instruksjonene.

Dette verktøyet kan forårsake hånd-arm vibrasjonssyndrom, hvis det ikke brukes riktig.



ADVARSEL: For å være nøyaktig, bør også et overslag over eksponeringsnivå under faktiske bruksforhold også tas med i betraktning i alle deler av driftssyklusen, slik som når verktøyet er skrudd av og når det går på tomgang, men ikke faktisk gjør jobben. Dette kan redusere eksponeringsnivået betraktelig over hele arbeidsperioden.

For å hjelpe til å minimere risikoen for vibrasjonseksponering.

Bruk ALLTID skarpe meisler, drillere og blad.


Vedlikehold verktøyet i henhold til disse instruksjonene og sørg for at det er godt smurt (der det er hensiktsmessig).

Hvis verktøyet skal brukes regelmessig, invester i antivibrasjonstilbehør.

Planlegg arbeidstidplanen din slik at du sprer bruk av høyvibrasjonsverktøy utover flere dager.

4. MONTERING OG BRUK



HANDLING	FIGUR
MONTERING	
Montering av hjelpehåndtak	Se Fig. A1,A2,A3
Fjerne rørpluggen MERK: Fjern rørpluggbeskyttelsen på maskinen først, før montering av stangen.	Se Fig. B1
Montering av stolpen	Se Fig. B2
Tilpassing av beskyttelseskappe Sett metallbraketten inn i sporet på sikkerhetsbeskyttelsen, og fest sikkerhetsbeskyttelsen på plass med skruer og en sekskantnøkkel.	Se Fig. C

<p>Fjerning eller installering av batteripakke</p> <p>MERK:</p> <ul style="list-style-type: none"> • Denne gressklipperen vil bare fungere med 2 batterier installert. Bruk alltid de samme to batteriene og lad to batterier samtidig. • Når du bruker to batterier med forskjellige amperetimer eller ladenivåer, vil maskinen kjøre med den laveste fellesnevneren. • En 4.0Ah eller høyere batteripakke anbefales for bedre ytelse og lengre kjøretid. 	<p>Se Fig. D1, D2</p>	<p>Montering og demontering av trimmerhodet</p> <p>Sett en sekskantnøkkel i hullet, og vri trimmerhodet til det stopper i låst stilling. Fjern deretter den ved å vri den mot klokken, og sett den deretter sammen ved å vri den med klokken.</p>	<p>Se Fig. I</p>
<p>Kontrollere batteriladingen</p> <p>MERK: Fig. D3 gjelder bare for batteripakken med batterilampen tent.</p>	<p>Se Fig. D3</p>	<p>Sving av trimmerlinjen</p> <p>Steg 1: Fjern batteripakken fra trimmeren.</p> <p>Steg 2: Roter trimmerhodet i retning av pilen slik at det justerer seg med øyet.</p> <p>Steg 3: Sett linen inn i øyet (J2) og skyv linen til enden av linen kommer ut av det motsatte øyet.</p> <p>Steg 4: Trekk linen fra den andre siden til like lange lengder av linen vises på begge sider av trimmerhodet (ikke mer enn 2 meter på hver side).</p> <p>Steg 5: Roter hodet for å laste linen.</p> <p>MERK: Spolen må vikles mens du er inne i trimmerhodet. Spolen må ikke pakkes med tråd og deretter installeres i trimmerhodet.</p>	<p>Se Fig. J1,J2,J3</p>
<p>Lading av batteripakken</p> <p>MERK:</p> <ul style="list-style-type: none"> • Batteripakken leveres uladet. Batteriet må lades opp helt før første klipp. • Lad alltid de to batteriene samtidig. Mer detaljer finnes i håndboken. 	<p>Se Fig. D4</p>		
<p>Batteristromindikator på maskinen</p> <p>Se detaljer i delen BATTERISTATUS</p>	<p>Se Fig. D5</p>		
<p>BRUK</p> <p>Å starte</p> <p> ADVARSEL! Skjærehodet fortsetter å gå rundt etter at trimmeren er slått av. Vent til det har stanset før du legger ned redskapet.</p> <p>Trykk først på låseknappen, og trykk deretter på bryteren for å starte maskinen.</p>	<p>Se Fig. E</p>		
<p>ECO-hastighet</p> <p>For å forlenge kjøretiden, trykk på ECO-knappen og slå på avtrekkeren, og maskinen vil kjøre med lav hastighet.</p>	<p>Se Fig. F</p>		
<p>Klipping</p>	<p>Se Fig. G</p>		
<p>Støt-feed</p>	<p>Se Fig. H</p>		

BATTERISTATUS (Se Fig. D5)

Trykk på knappen ved siden av strømindikatorlampen på maskinen før du starter eller etter bruk for å kontrollere batterikapasiteten. Når klipperen er i bruk, vil batterikapasiteten angis automatisk av batteriindikatoren. LED's konstante sanser og viser batteri tilstand som følgende.

For maskiner med 2 batteripakker med forskjellig ladenivå, viser strømindikatorlampen batteriets tilstand til det laveste av de to batteriene.

Indikator for batteristatus	Batteritilstand
Fem grønne lamper () lyser.	De to batteriene er fulladet.
To, tre eller fire grønne lamper lyser.	De to batteriene har noe energi igjen. Jo flere lamper som lyser, jo mer batterikapasitet er igjen.
Bare én grønn lampe () lyser.	Minst ett av batteriene flatt og må lades.

Ingen lampe lyser.	Minst ett batteri er ikke riktig satt inn, eller batteriet er defekt.
Bare ett lys blinker to ganger pr. syklus.	Minst ett batteri er flatt (se batteritilstand), lad opp de to batteriene straks før ny bruk eller oppbevaring.
Bare ett lys blinker tre ganger pr. syklus.	Minst ett batteri er varmt, vent på at batteriene er avkjølt før du starter igjen.
Bare ett lys blinker fire ganger pr. syklus.	Maskinen er overbelastet. Fjern verktøyet fra skjæresnittet og prøv igjen.

BRUKSVEILEDNING



ADVARSEL! Laderen og batteripakken er spesifikt laget for å brukes sammen. Ikke bruk andre batteripakker eller ladere. La aldri metallgjenstander komme inn i laderen eller batteripakken. Dette kan føre til en elektrisk feil som kan være farlig.

1. Føringsssystem for støtlinje (Se Fig. H)

Trimmeren er utstyrt med et buffertlinjesystem. Hver gang du berører trimmerhodet mens maskinen er i gang, sendes den nye linjen ut.

2. Sving av trimmerlinjen (WA0201) (Se Fig. J1,J2)

Før utskiftningslinjen gjennom øyehulen og mate den fra den andre siden. Forsikre deg om at begge ender av ledningen er flate i endene av beskjæringshodet (anbefalt, 2 m), og kutt deretter ledningen. Drei skiven med klokken for å spole tråden på spolen til det er 19 cm til venstre og høyre.

OPPBEVARING AV GRESSTRIMMEREN



Fjern alltid batteripakken fra trimmeren etter bruk.

Oppbevaring av GRESS-trimmeren

Trimmeren er utstyrt med et hengespor for å oppbevare trimmeren på veggen. l. (Se Fig. K)
Oppbevares på et tørt sted der trimmeren er beskyttet fra skade.

5.VEDLIKEHOLD



Fjern alltid batteripakken fra trimmeren etter bruk.

Sjekk alltid produktet for skade før bruk.

Koble batteriet fra verktøyet etter bruk og sjekk at det ikke er skadet.

Det elektriske verktøyet trenger ikke ytterligere smøring eller vedlikehold. Det er ingen brukernyttige deler i det elektriske verktøyet. Bruk aldri vann eller kjemiske rensemidler for å rense verktøyet. Tørk av med en tørr klut. Du må alltid lagre verktøyet på en tørr plass. Hold alltid motorens ventilasjonskanaler rene. Hold alle betjeningskontrollene fri for støv.

6.MILJØVERNILTAK



Avfall etter elektriske produkter må ikke legges sammen med husholdningsavfall. Vennligst resirkuler avfallet der dette finnes. Undersøk hos de lokale myndighetene eller en detaljist for resirkuleringsråd.

7.SAMSVARERKLÆRING

Vi,
Positec Germany GmbH
Postfach 32 02 16, 50796 Cologne, Germany

Erklærer at produktet,
Beskrivelse **Trådløs gresstrimmer**
Type **WG185E WG185E.X (1-betegnelse av maskiner, representant for ledningsfri gresstrimmer)**
Funksjoner **Kutting av gress og lignende myk vegetasjon, og for trimming av kanter**

Samsvarer med følgende direktiver,
2006/42/EC, 2014/30/EU, 2011/65/EU&(EU)2015/863, 2000/14/EC revidert ved 2005/88/EC

2000/14/EC revidert ved 2005/88/EC:

- **Tilpassningsbedømmelse Utført ifølge Anneks VI**
- **Målt Lydkraftniv 92.5 dB (A)**
- **Erklært Garantert Lydkraftniv 96 dB (A)**

Den notifiserte gruppen involvert

Navn: Intertek Deutschland GmbH (notifiserte Stelle 0905)

Adresse: Stangenstraße 1, 70771 LEINFELDEN-ECHTERDINGEN

Standardene samsvarer med

EN 60335-1, EN 50636-2-91, EN 62233, EN ISO 3744, EN IEC 55014-1, EN IEC 55014-2, EN IEC 63000

Personen som er autorisert til å utarbeide den tekniske filen,

Navn Marcel Filz

Adresse Positec Germany GmbH

Postfach 32 02 16, 50796 Cologne, Germany



8. FEILSØKING

Følgende tabell viser problemstillinger og handlinger du kan utføre hvis maskinen ikke fungerer normalt.



ADVARSEL: Slå av maskinen og fjern batteriet før feilsøking.

Problemer	Mulige årsaker	Feilrettende tiltak
Trimmeren virker ikke.	Batteriet er utladet. Batteriet er for varmt/kaldt. Motoren er ødelagt. Interne ledninger i maskinen er skadet.	Lad batteriet; Se også innholdet i oppladerinstruksjonen. La batteriet bli kaldere/varmere. Kontakt servicerepresentant. Kontakt servicerepresentant.
Trimmeren går ujevnt.	Motoren er ødelagt. Batteriet er ikke oppladet. På/av-bryteren er defekt.	Kontakt servicerepresentant. Lad batteriet. Kontakt servicerepresentant.
Overdreven vibrasjon/ støy.	Maskinen er defekt. Trådspolen er dårlig surret.	Kontakt servicerepresentant. Surr tråden på nytt. Se «Slik tilpasses spole og tråd-montasjen».
Klippetid per batteriladningfor kort.	Batteriet er ikke blitt brukt på lenge eller er ikke ladet opp lenge nok. Gresset er for høyt. Batteriet er defekt.	Lad batteriet helt opp; Se også innholdet i oppladerinstruksjonen. Klipp trinnsvis. Bytt batteriet.
Maskinen klipper ikke.	Tråden er ødelagt. Batteriet er ikke oppladet. Motoren er ødelagt (hastigheten er for lav). Gresset har samlet seg rundt klippehodet.	Bytt tråden. Lad batteriet; Se også innholdet i oppladerinstruksjonen. Kontakt servicerepresentant. Fjern gress.
Indikatoren for batteriladning lyser hele tiden. Det er ikke mulig å lade batteriet.	Batteriet er ikke (ordentlig) satt inn. Batterikontaktene er skitne. Batteriet er defekt.	Sett batteri ordentlig inn i batteriladeren. Rengjør batterikontaktene (f.eks ved å sette inn og fjerne batteriet flere ganger) eller bytt ut batteriet. Bytt batteriet.
Indikatoren for batteriladning lyser ikke.	Batteriladeren er ikke (ordentlig) tilkoblet stikkkontakten. Stikkkontakten, strømledningen eller batteriladeren er defekt.	Sett støpslet (helt inn) i stikkkontakten. Kontroller spenningen i stikkkontakten. Få batteriladeren kontrollert av en autorisert servicerepresentant.

INNEHÅLLSFÖRTECKNING

1. PRODUKTSÄKERHET
2. LADDARENS KOMPONENTER
3. TEKNISKA DATA
4. LADDNINGSPROCEDUR
5. UNDERHÅLL
6. MILJÖSKYDD
7. DEKLARATION OM ÖVERENSSTÄMMELSE
8. FELSÖKNING

Användare kan se de elektroniska bruksanvisningarna på <https://eu.worx.com>.

1. PRODUKTSÄKERHET GENERELLA SÄKERHETSVARNINGAR

 **WARNING: Läs igenom alla säkerhetsvarningar och -instruktioner. Läs alla instruktioner.** Följs inte alla nedanstående instruktioner kan det leda till elektriska stötar, brand och/eller allvarliga skador. **Spara alla varningar och instruktioner för framtida bruk.**

Apparaten bör endast användas med det medföljande nätaggregatet.

**VIKTIGT
LÄS IGENOM NOGA FÖRE
ANVÄNDNING
SPARA FÖR KOMMANDE
REFERENS**

Säkra driftsmetoder

1. Utbildning

- a) Läs igenom instruktionerna noggrant. Bekanta dig med kontroller och hur apparaten används korrekt.
- b) Låt aldrig barn, personer med nedsatt fysisk, sensorisk eller mental förmåga eller brist på erfarenhet och kunskap, eller personer som inte känner till dessa instruktioner, använda maskinen. Lokala föreskrifter kan begränsa operatörens ålder.
- c) Operatören eller användaren är ansvarig för olyckor eller faror som uppstår för andra personer eller deras egendom.

2. Förberedelse

- a) Inspektera alltid maskinen visuellt före användning för att upptäcka om skydd eller sködar är skadade, saknade eller felplacerats
- b) Arbeta aldrig med maskinen medan personer, särskilt barn eller djur finns i närheten.

3. Drift

- a) Bär alltid skyddsglasögon, långbyxor och kraftiga skor när du använder maskinen.
- b) Undvik att använda maskinen under dåliga väderförhållanden, särskilt vid

risk för blixtnedslag.

- c) Arbeta endast i dagsljus eller i bra artificiellt ljus.
- d) Kör aldrig maskinen med skadade skydd eller sköldar eller utan att skydd eller sköldar sitter på plats.
- e) Sätt endast igång motorn när händer och fötter är på behörigt avstånd från skärverktygen.
- f) Koppla alltid ur maskinen (dra ut kontakten ur eluttaget)
 - 1) så fort maskinen lämnas obevakad;
 - 2) innan du rensar en blockering;
 - 3) före kontroller, rensning eller arbete på apparaten;
 - 4) efter att du kört på ett främmande föremål;
 - 5) om maskinen börjar vibrera onormalt.
- g) Akta så att inte händer och fötter skadas på skärverktyget.
- h) Se alltid till att ventilationsöppningarna är fria från skräp.
- i) Montera aldrig trimelement av metall.
- j) Se alltid till att du är stadig på foten i slänter.
- k) Gå spring aldrig.
- l) Översträck inte och håll alltid balansen.
- m) Vidrör inte roterande, farliga

delar innan maskinen är bortkopplad från eluttaget och innan de roterande, farliga delarna har stannat helt och hållet.

4.Underhåll och förvaring

- a) Koppla ur maskinen (dra ut kontakten ur eluttaget) innan du utför underhåll och rengöringsarbeten.
- b) Använd endast tillverkarens rekommenderade reservdelar och tillbehör.
- c) Inspektera och underhåll maskinen regelbundet. Maskinen får endast repareras av auktoriserad reparatör.
- d) När den inte används, ska den förvaras utom räckhåll för barn.

BATTERISÄKERHET SÄKERHETSFÖRESKRIFTER FÖR BATTERIET

- a) Ta inte isär batteriet, öppna inte heller batteriet eller sära på battericeller.**
- b) Kortslut inte batteriet. Förvara inte batteriet på ett slarvigt sätt i en låda där det kan kortsutas eller skadas av ledande material.** När batteriet inte används, håll det borta från metallobjekt, såsom

pappersgem, pengar, nycklar, naglar, skruvar eller andra små metallobjekt som kan leda ström från en terminal till en annan. Om batteriterminalerna kortsletter varandra kan de förorsaka brandrisk.

- c) Exponera inte batteriet för eld eller värme. Undvik förvaring i direkt solljus.**
- d) Utsätt inte batteriet för mekanisk chock.**
- e) Om batteriet läcker, låt inte vätskan komma i kontakt med hud eller ögon. Om så ändå skulle hända, skölj med mycket vatten och sök läkarhjälp.**
- f) Håll batteriet rent och torrt.**
- g) Torka av batteriet om det blir smutsigt med en torr, ren trasa.**
- h) Batteriet måste laddas före användning. Använd den här bruksanvisningen för att ladda batteriet korrekt.**
- i) Låt inte batteriet stå på laddning när det inte används.**
- j) Efter lång tids användning kan det bli nödvändigt att ladda och ladda ur batteriet många gånger**

för att nå maximal prestanda.

- k) Ladda endast med laddare av varumärket Kress. Använd ingen annan laddare än den som specifikt ska användas med det här batteriet.**
- l) Använd inte ett batteri som inte är avsett för användning med det här verktyget.**
- m) Håll batteriet borta från barn.**
- n) Behåll den ursprungliga bruksanvisningen för framtida användning.**
- o) Plocka ur batteriet från verktyget då det inte används.**
- p) Kassera batteriet på rätt sätt.**
- q) Blanda inte celler från olika tillverkning, kapacitet, storlek eller typ inom en enhet.**
- r) Håll batteriet borta från mikrovågor och högt tryck.**

SYMBOLER



Läs bruksanvisningen

	Håll kringstående undan.
	Bär skyddsglasögon och hörselskydd
	Utsätt inte för regn
	Uttjänade elektriska produkter får inte kasseras som hushållsavfall. Återanvänd där det finns anläggningar för det. Kontakta dina lokala myndigheter eller återförsäljare för återvinningsråd.
	Li-Ion-batteri Denna product har märkts med en symbol för sopsortering för alla batterisatser. De kommer då att återvinnas och plockas isär för att minska påverkan på miljön. Batterisatser kan vara skadliga för miljön och för människors hälsa då de innehåller farliga substanser.
	Se till att batteriet tas bort innan byte av tillbehör.
	Trimning
	Får ej uppeldas
	Batterierna kan komma in i vattnets kretslopp om de inte kasseras korrekt och detta kan vara skadligt för EKO-systemet. Kasta inte batterier i de vanliga osorterade hushållssoporna.

2.KOMPONENTER

1. BATTERIPAKET *

2. STRÖMINDIKATOR FÖR BATTERIE

3. LÅSKNAPP

4. AVTRYCKARE FÖR VARIABEL HASTIGHET

5. ECO-KNAPP

6. ÖVRE SKAFT

7. HJÄLPHANDTAG

8. KOPPLING FÖR NEDRE SKAFT

9. SÄKERHETSSKYDD

10. SNÖRSKÄRARE

11. FINJUSTERANDE HUVUD (BULTHUVUD)

12. SLÄPP TAGGEN

* Alla tillbehör beskrivna eller avbildade nedan medföljer inte standardprodukten.

3.TEKNISKA DATA

Typ **WG185E WG185E.X** (1-beteckning för maskiner som är representativ för trådlös grästrimmer)

	WG185E WG185E.X **
Spänning	40 V $\overline{=}$ MAX (2x20V MAX) ***
Hastighet utan belastning	6000/min
Gräsklipparens skärdiameter	38cm
Linjediameter	2.4mm
Kabellängd	Rekommenderas 4m (dubbel utgång)
Maskinens vikt (Naken verktyg)	2.87kg

** X = 1-999, A-Z, M1-M9 är endast för olika kunder, det finns inga säkerhetsrelaterade förändringar mellan dessa modeller.

*** Spänning uppmätt utan belastning. Initial batterispänning är max. 20 V. Nominell spänning är 18 V.

REKOMMENDERADE BATTERIER OCH LADDARE

Kategori	Modell	Kapacitet
----------	--------	-----------

20V Batteripaket	WA3014	4.0Ah
	WA3644	4.0Ah
20V Laddning	WA3883	4.0A

Vi rekommenderar att du köper tillbehör från butiken där verktygen säljs. Se tillbehörspaketet för mer information. Butikspersonal kan hjälpa dig och ge dig råd.

BULLERINFORMATION

Uppmätt ljudtryck $L_{pA} = 78.4 \text{ dB(A)}$

K_{pA} 3 dB(A)

Uppmätt ljudstyrka $L_{WA} = 92.5 \text{ dB(A)}$

K_{WA} 3 dB(A)

Använd hörselskydd.



VIBRATIONSINFORMATION

92 Typisk uppmätt vibration $a_n < 2.5 \text{ m/s}^2$

Osäkerhet $K = 1.5 \text{ m/s}^2$

Det deklarerade totala vibrationsvärdet kan användas för att jämföra ett verktyg med ett annat och det kan också användas för preliminär bedömning av exponering.

! WARNING: Vibrationsemissionsvärdet vid användning av maskinverktyg kan skilja sig åt från det deklarerade värdet beroende på hur verktyget används och beroende på följande exempel och andra variationer av hur verktyget används:

Hur verktyget används och materialet som verktyget används med.

Verktyget är i bra skick och bra underhållet.

Användning av korrekt tillbehör till verktyget och säkerställandet att det är vasst och i bra skick.

Beroende på hur tajt åtdraget handtag är och om några antivibrationstillbehör används.

Verktyget används som avsett enligt konstruktionen och de här instruktionerna.

Detta verktyg kan orsaka hand- arm- vibrationssyndrom om det används på felaktigt sätt.

! WARNING: För att det ska bli korrekt bör en beräkning av exponeringsnivån under verkliga förhållanden vid användning också tas med för alla

delar av hanteringscykeln såsom tiden när verktyget är avstängt och när det körs på tomgång utan att utföra något arbete. Detta kan betydligt minska exponeringsnivån över den totala arbetsperioden. Hjälpt för att minimera risken för vibrationsexponering. Använd ALLTID skarpa mejslar, borrar och blad. Underhåll verktyget i enlighet med dessa instruktioner och håll det välsmort (där det är nödvändigt). Om verktyget ska användas regelbundet, investera i antivibrationstillbehör. Planera ditt arbetsschema för att sprida ut användning av kraftigt vibrerande verktyg över flera dagar.

4. MONTERING & HANTERING

AKTIVITET	BILD
MONTERING	
Montera trimmerns handtag	Se Fig. A1,A2,A3
Ta bort rörpluggen NOTERA: Innan du monterar stänggen, ta först bort rörpluggsskyddet på maskinen.	Se Fig. B1
Montering av stolpen	Se Fig. B2
Montera Distansskyddet Sätt i metallfästet i luckan på säkerhetsskyddet och fäst sedan säkerhetsskyddet på plats med skruvar och en sexkantnyckel.	Se Fig. C
Ta Bort Eller Sätta I Batteripaketet OBS: • Gräsklipparen kommer endast att fungera med 2 batterier installerade. Var god använd alltid samma två batterier och ladda de två batterierna samtidigt. • När du använder två batterier med olika ampere-timmar eller laddningsnivåer kör maskinen med den lägsta gemensamma nämnaren. • Ett 4.0Ah eller högre batteripaket rekommenderas för bättre prestanda och längre drifttid.	Se Fig. D1, D2
Kontroll av batteriets laddningstillstånd OBS: Figur D3 gäller endast batteripack med batterilampor.	Se Fig. D3

Laddning av batteripaketet OBS: • Batteripaketet levereras oladdat. Batteriet måste laddas helt innan första klippningen. • Ladda alltid helt de två batterierna samtidigt. Mer information finns i bruksanvisningen till laddaren.	Se Fig. D4
Maskinens strömindikator för batteriet Se avsnittet BATTERISTATUS	Se Fig. D5
DRIFT	
Att börja  VARNING! Klipp huvudet fortsätter att rotera efter det att trimmern har stängts av; vänta tills den har stannat innan verktyget läggs ned. Tryck först på låsknappen, tryck sedan på omkopplaren för att starta maskinen.	Se Fig. E
ECO-hastighet För att förlänga körtiden, tryck på ECO-knappen och ställ in avtryckaren, så kommer maskinen att köra med låg hastighet.	Se Fig. F
TRIMNING	Se Fig. G
Bumpfoder	Se Fig. H
Montering och demontering av trimmerhuvudet Sätt i en hexnyckel i hålet och rotera trimmerhuvudet tills det stannar i låst läge.	Se Fig. I

Lindning av trimmerlinjen
Steg 1: Ta bort batteripaketet från trimmern.
Steg 2: Vrid trimmerhuvudet i pilens riktning så att det justeras med ögla.
Steg 3: Sätt in linan i ögla (J2) och tryck linan tills linans ände kommer ut ur den motsatta ögla.
Steg 4: Dra linan från den andra sidan tills lika långa längder av linan visas på båda sidor om trimmerhuvudet (inte mer än 2m (6,5 fot) på någon sida).
Steg 5: Vrid huvudet för att ladda linan.

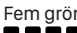
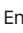
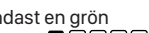
NOTERA: Spolen måste vara lindad när den är inne i trimmerhuvudet. Spolen får inte lindas med tråd och installeras sedan i trimmerhuvudet.

Se Fig. J1,J2,J3

Maskinens strömindikator för batteriet (Se Fig. D5)

Innan användning eller efter användning trycker du på knappen bredvid strömindikatorlampan på maskinen för att kontrollera batterikapaciteten. Under drift kommer batterikapaciteten automatiskt att indikeras av batteriindikatorn. Indikatorn känner av och visar batterinivån enligt följande.

För maskiner med 2 batterier som har olika strömstyrkor, visar strömindikatorlampan batteriets tillstånd för den nedre av de två batterierna.

Batteristatus	Batteritillstånd
Fem gröna lampor () lyser.	Hög batterinivå.
Två, tre eller fyra gröna lampor lyser.	Medelhög batterinivå. Ju fler lampor som lyser, desto högre är batterinivån.
Endast en grön lampa ( ) lyser.	Minst ett batteri är urladdat och måste laddas.
Inga lampor lyser.	Minst ett batteri är fel isatt eller defekt.
Endast en lampa blinkar två gånger per cykel.	Minst ett batteri är urladdat (se batteriladdningstillstånd), ladda de två batterierna minst en gång innan maskinen används igen eller förvaras.

Endast en lampa blinkar tre gånger per cykel.	Minst ett batteri är hett. Låt dem svalna innan du startar maskinen igen.
Endast en lampa blinkar fyra gånger per cykel.	Maskinen är överbelastad. Avlägsna verktyget från arbetsområdet och försök igen.

ANVÄNDARHANDLEDNING

⚠ VARNING! Laddaren och batteripaketet är särskilt konstruerade för att fungera tillsammans. Använd inget annat batteripaket eller någon annan laddare. Se till att inga metallföremål kommer in i laddaren eller batteripaketet. Det kan orsaka elektriska fel som kan medföra fara.

1. Bump line matningssystem (Se Fig. H)

Trimmern är utrustad med ett buffertlinjesystem. När du rör vid trimmerhuvudet medan maskinen är igång matas den nya linjen ut.

2. Lindning av trimmerlinjen (WA0201) (Se Fig. J1, J2)

För ersättningslinjen genom öglan och mata den från andra sidan. Se till att båda ändarna av tråden är platta i ändarna på beskärningshuvudet (rekommenderas 2 m), och klipp sedan av tråden. Vrid ratten medurs för att linda tråden på spolen tills det finns 19 cm vänster och höger.

FÖRVARING AV GRÄSTRIMMER

⚠ Ta alltid bort batteriet från din trimmer efter användning. Förvara din grästrimmer

Trimmern är försedd med en öppning för hängare så att du kan hänga den på väggen. (Se Fig. K)
Förvara trimmern och batteriet på en torr och skyddad plats.


5. UNDERHÅLL

⚠ Ta alltid bort batteriet från din trimmer efter användning. Kontrollera alltid produkten innan den används för eventuella skador.

Ta bort pluggen från hållaren innan du gör några anpassningar, servis eller underhåll. Ditt verktyg kräver inte extra smörjning eller underhåll. Det finns inta delar som kan repareras av användaren i verktyget. Använd aldrig vatten eller

kemiska medel för att rengöra verktyget. Torka rent med en torr trasa. Förvara alltid verktyget på en torr plats. Håll motorns ventileringsöppningar rena. Håll alla arbetskontroller fria från damm, enheten och ta bort batteriet före all felsökning.

6. MILJÖSKYDD

 Uttjänade elektriska produkter får inte kasseras som hushållsavfall. Återanvänd där det finns anläggningar för det. Kontakta dina lokala myndigheter eller återförsäljare för återvinningsråd.

7. DEKLARATION OM ÖVERENSSTÄMMELSE

Vi,
Positec Germany GmbH
Postfach 32 02 16, 50796 Cologne, Germany

Deklarerar att denna produkt,
Beskrivning **Trådlös grästrimmer**
Typ **WG185E WG185E.X (1-beteckning för maskiner som är representativ för trådlös grästrimmer)**
Funktion **skärning gräs och ogräs**

På Positecs vägnar förklara att produkten
2006/42/EC, 2014/30/EU, 2011/65/EU&(EU)2015/863, 2000/14/EC ändrad av 2005/88/EC

2000/14/EC ändrad av 2005/88/EC:
- Konformitetsutvärderingsprocedur enligt **Bilaga VI**
- Uppmått bullernivå **92.5 dB (A)**
- Deklarerad garanterad bullernivå **96 dB (A)**

Berört notifierat organ
Namn: Intertek Deutschland GmbH (notifizierte Stelle 0905)
Adress: Stangenstraße 1, 70771 LEINFELDEN-ECHTERDINGEN

Standarder överensstämmer med,
EN 60335-1, EN 50636-2-91, EN 62233, EN ISO 3744, EN IEC 55014-1, EN IEC 55014-2, EN IEC 63000

Personen som godkänts att sammanställa den tekniska filen,
Namn Marcel Filz
Adress Positec Germany GmbH
Postfach 32 02 16, 50796 Cologne, Germany




2023/09/12

8.FELSÖKNING

I följande tabell hittar du problem och åtgärder som du kan utföra om inte enheten fungerar som den ska.



Varning: Stäng av enheten och ta bort batteriet före all felsökning.

Problem	Möjliga orsaker	Korrigerande åtgärd
Trimmern fungerar inte.	Batteriet har laddat ur, Batteriet är för varmt/kallt. Motorn är trasig. Enhetens interna sladdar är trasiga.	Ladda batteriet; se även innehållet i laddarens bruksanvisning. Låt batteriet svalna/bli varmt. Kontakta en servicetekniker. Kontakta en servicetekniker.
Trimmern går hackigt.	Motorn är trasig. Batteriet är inte fulladdat. Strömbrytaren är trasig.	Kontakta en servicetekniker. Ladda batteriet. Kontakta en servicetekniker.
Alltför starka vibrationer/buller.	Enheten är trasig. Linspolen är fellindad.	Kontakta en servicetekniker. Linda om linan. Se "Montera spole och lina".
Klipptiden per batteriladdning är för kort.	Batteriet har inte använts på länge eller laddats för kort tid. Gräset är för högt. Batteriet är trasigt.	Ladda batteriet fullt; se även innehållet i laddarens bruksanvisning. Klipp i etapper. Byt ut batteriet.
Enheten klipper inte.	Linan är trasig. Batteriet är inte fulladdat. Motorn är trasig (för låg hastighet). Gräs har trasslat in sig runt klipphuvudet.	Byt ut linan. Ladda batteriet; se även innehållet i laddarens bruksanvisning. Kontakta en servicetekniker. Ta bort gräset.
Batteriladdningsindikatorn lyser hela tiden. Det går inte att ladda batteriet.	Batteriet är fel isatt. Batterikontakterna är smutsiga. Batteriet är trasigt.	Sätt in batteriet i batterihållaren på rätt sätt. Rengör batterikontakterna (t.ex. genom att sätta in och ta ut batteriet flera gånger) eller byt ut batteriet. Byt ut batteriet.
Batteriladdningsindikatorn lyser inte.	Batteriladdarens kontakt är inte ordentligt isatt. Eluttag, strömladd eller batteriladdare kan vara trasiga.	Sätt in strömkontakten ordentligt i eluttaget. Kontrollera nätströmmen. Låt batteriladdaren kontrolleras av en auktoriserad servicetekniker.

SPIS TREŚCI

1. BEZPIECZEŃSTWO PRODUKTU
2. LISTA KOMPONENTÓW
3. DANE TECHNICZNE
4. INSTRUKCJA OBSŁUGI
5. KONSERWACJA
6. OCHRONA ŚRODOWISKA
7. DEKLARACJA ZGODNOŚCI
8. ROZWIĄZYWANIE PROBLEMÓW

Użytkownicy mogą zapoznać się z elektronicznymi instrukcjami na stronie <https://eu.worx.com>.

1. BEZPIECZEŃSTWO PRODUKTU OGÓLNE OSTRZEŻENIA DOTYCZĄCE BEZPIECZEŃSTWA



UWAGA Należy przeczytać wszystkie przepisy.

Błędy w przestrzeganiu następujących przepisów mogą spowodować porażenie prądem, pożar i/lub ciężkie obrażenia ciała.

Należy dobrze przechowywać te przepisy.

Urządzenie może być zastosowane wyłącznie z zespołem zasilania, który był dostarczony z tym urządzeniem.

**WAŻNE
PRZED UŻYCIEM NALEŻY
UWAŻNIE PRZECZYTAĆ
NALEŻY ZACHOWAĆ DO**

WYKORZYSTANIA W PRZYSZŁOŚCI

Zalecenia dotyczące bezpiecznej obsługi

1. SZKOLENIE

- a) Uważnie przeczytaj niniejszą instrukcję. Zapoznaj się z elementami sterującymi oraz zasadami prawidłowego użytkownika urządzenia.;
- b) Nie dopuszczać do urządzenia dzieci lub innych osób z obniżonymi zdolnościami fizycznymi, sensorycznymi lub umysłowymi oraz nieposiadające doświadczenia i wiedzy na temat urządzenia, a także osób, które nie zapoznały się z instrukcjami użytkownika urządzenia; lokalne przepisy mogą wprowadzić ograniczenia dotyczące wieku operatora.
- c) Zapamiętaj, że operator lub użytkownik jest odpowiedzialny za wypadki lub zagrożenia dla innych ludzi lub ich mienia.

2. PRZYGOTOWANIE

- a) Przed przystąpieniem do obsługi urządzenia należy sprawdzić je wizualnie pod kątem uszkodzonych, brakujących lub przemieszczonych osłon lub

pokryw.

- b) Nie należy obsługiwać urządzenia, jeśli w pobliżu znajdują się inne osoby, szczególnie dzieci, lub zwierzęta.

3. DZIAŁANIE

- a) Podczas obsługi urządzenia należy zawsze nosić osłonę oczu, długie spodnie i solidne obuwie.

- b) Unikać obsługi maszyny przy złej pogodzie, szczególnie jeśli istnieje ryzyko porażenia piorunem.

- c) Stosować urządzenie jedynie w świetle dziennym lub dobrym świetle sztucznym.

- d) Nigdy nie należy używać urządzenia baz ochroniaczy lub, jeśli są uszkodzone.

- e) Należy włączyć silnik urządzenia jedynie wówczas, gdy ręce i stopy znajdują się z dala od części tnących.

- f) Należy zawsze odłączyć urządzenie od źródła zasilania (np. wyjąć akumulator z urządzenia)

- 1) zawsze, gdy urządzenie jest zostawione bez opieki;
- 2) przed usunięciem blokady;
- 3) przed przeglądem, czyszczeniem lub innymi pracami;

- 4) po zderzeniu z twardym przedmiotem;

- 5) gdy urządzenie zacznie wibrować w podejrzany sposób.

- g) Stosować zabezpieczenia przed obrażeniami na skutek kontaktu stóp lub rąk z częściami tnącymi.

- h) Należy pilnować by otwory wentylacyjne nie były zabrudzone.

- i) Nigdy nie zakładać elementów do ciecia metalu.

- j) Podczas koszenia na pochyłym terenie należy uważać, aby nie stracić równowagi.

- k) Należy chodzić, nigdy nie należy biegać

- l) Nie wychylać się oraz dbać o zachowanie równowagi.

- m) Nie dotykać ruchomych niebezpiecznych części dopóki akumulator nie został wyjęty z urządzenia, a ruchome niebezpieczne części zostały całkowicie zatrzymane.

4. KONSERWACJA I PRZECHOWYWANIE

- a) Odłączyć urządzenie od źródła zasilania (np. wyjąć akumulator) przed przystąpieniem do

konserwacji lub czyszczenia.

- b) Stosować jedynie części zamienne i akcesoria zalecane przez producenta.
- c) Regularnie sprawdzać i konserwować urządzenie. Urządzenie powinno być naprawiane jedynie przez upoważnioną do tego osobę.
- d) Jeśli urządzenie nie jest stosowane, należy trzymać je z dala od dzieci.

ZABEZPIECZENIE AKUMULATORA INSTRUKCJA BEZPIECZEŃSTWA DOTYCZĄCA MODUŁU AKUMULATORA

- a) Nie demontuj, nie otwieraj lub nie niszczy ogniw pomocniczych lub modułu akumulatora.**
- b) Nie zwieraj ogniwa lub modułu akumulatora. Nie przechowuj ogniw lub modułu akumulatora w sposób bezładny w pudle lub szufladzie, gdzie mogą się wzajemnie zewrzeć lub ulec zwarciu przez inne metalowe przedmioty.** Nie używany akumulator należy trzymać z daleka od spinaczy, monet, kluczy, gwoździ, śrub lub innych małych przedmiotów metalowych, które mogłyby

spowodować zmostkowanie kontaktów. Zwarcie pomiędzy kontaktami akumulatora może spowodować oparzenia lub pożar.

- c) Nie narażaj ogniw lub modułu akumulatora na działanie ciepła lub ognia. Unikaj składowania w miejscach pod bezpośrednim działaniem światła słonecznego.**
- d) Nie narażaj ogniw lub modułu akumulatora na uderzenia mechaniczne.**
- e) W razie wycieku z ogniwa, nie dopuść, aby płyn zetknął się ze skórą lub dostał się do oczu. Jeśli już nastąpił kontakt z płynem, przemyj skażoną powierzchnię dużą ilością wody i zwróć się o pomoc medyczną.**
- f) Utrzymuj ogniwa i moduł akumulatora w czystości i w stanie suchym.**
- g) Jeśli zaciski ogniwa lub akumulatora zostały zanieczyszczone, oczyść je czystą i suchą szmatką.**
- h) Ogniwa pomocnicze i moduł akumulatora należy przed użyciem naładować. Zawsze używaj właściwej ładowarki i przestrzegaj**

instrukcji ładowania zawartej w instrukcji obsługi dostarczonej przez producenta urządzenia.

- i) Nie pozostawiaj modułu akumulatora na długie ładowanie, jeśli go nie używasz.**
- j) Po dłuższym okresie składowania może być niezbędne kilkakrotne naładowanie i rozładowanie ogniw lub modułu akumulatora, aby uzyskać optymalną wydajność.**
- k) Akumulatory należy ładować tylko w ładowarkach, które poleci producent Worx.**
- l) Nie używaj ognia lub modułu akumulatora nie przeznaczonego do pracy z danym urządzeniem.**
- m) Trzymaj ogniwa i moduł akumulatora poza zasięgiem dzieci.**
- n) Zachowaj oryginalne instrukcje produktu do wglądu.**
- o) Kiedy to możliwe, wyjmuj moduł akumulatora, jeśli urządzenia się nie używa.**
- p) Zużyte ogniwa i akumulatory utylizuj**

zgodnie z zasadami gospodarki odpadami.

- q) Nie używaj w urządzeniu ogniw różnych producentów, pojemności i wymiarów.**
- r) Akumulatora nie należy zbliżać do źródeł promieniowania mikrofalowego ani narażać na wysokie ciśnienie.**

SYMBOLE

	Przeczytaj instrukcję obsługi
	Należy zachować bezpieczną odległość o przechodniów
	Stosować osłonę oczu i uszu
	Nie wystawiać na działanie deszczu
	Odpady wyrobów elektrycznych nie powinny być wyrzucane razem z odpadami gospodarstwa domowego. Należy korzystać z recyklingu, jeśli istnieje odpowiednia infrastruktura. Porady dotyczące recyklingu można uzyskać u władz lokalnych lub sprzedawcy detalicznego



Li-Ion



Bateria litowo-jonowa. Ten produkt oznaczono symbolem „segregacji odpadów” dla zużytych baterii i akumulatorów. Umożliwia to jego recykling i demontaż, które zmniejszają negatywny wpływ na środowisko. Pakiety akumulatorów są niebezpieczne dla środowiska i dla ludzkiego życia, gdyż zawierają niebezpieczne substancje.



Przed przystąpieniem do wymiany akcesoriów upewnij się, że akumulator został wyjęty.



Przycinanie



Nie wrzucać do ognia



Nieprawidłowo utylizowane baterie mogą dostać się do obiegu wodnego, co jest groźne dla ekosystemu. Nie wyrzucaj baterii wraz z niesortowanymi odpadami miejskimi.

ria są dostarczane standardowo.

3.DANE TECHNICZNE

Typ **WG185E WG185E.X (1-oznaczenie maszyny, reprezentatywne dla bezprzewodowej podkaszarki do trawy)**

	WG185E WG185E.X **
Napięcie	40 V \equiv MAX (2x20V MAX) ***
Znamionowa prędkość na biegu jałowym	6000/min
Średnica cięcia kosiarki	38cm
Średnica linki tnącej	2.4mm
Długość drutu	Zalecane 4m (podwójne wyjście)
Masa urządzenia (Gołe narzędzie)	2.87kg

** X = 1-999, A-Z, M1-M9 są tylko dla różnych klientów, nie ma żadnych zmian związanych z bezpieczeństwem między tymi modelami.

*** Napięcie mierzone bez obciążenia. Początkowe napięcie akumulatora osiąga maksymalną wartość 120 V. Napięcie nominalne wynosi 18 V.

ZALECANE AKUMULATORY I ŁADOWARKI

Kategoria	Modelami	Pojemność
20V Akumulatorki	WA3014	4.0Ah
	WA3644	4.0Ah
20V Ładowarki	WA3883	4.0A

Zalecamy zakup akcesoriów w sklepie, w którym sprzedawane są narzędzia. Aby uzyskać więcej informacji, zobacz pakiet akcesoriów. Personel sklepu może ci pomóc i doradzić.

DANE DOTYCZĄCE HAŁASU

Ważone ciśnienie akustyczne	$L_{pA} = 78.4 \text{ dB(A)}$
K_{pA}	3 dB(A)

2.LISTA KOMPONENTÓW

- AKUMULATOR ***
- WSKAŹNIK NAŁADOWANIA AKUMULATORA**
- PRZYCISK BŁOKADY**
- SPUST ZMIENNEJ PRĘDKOŚCI OBROTOWEJ**
- ECO PRZYCISK**
- GÓRNY TRZONEK**
- UCHWYT DODATKOWY**
- ZŁĄCZKA DOLNEGO TRZONKA**
- OŚLONA OCHRONNA**
- LINKA TNĄCA**
- GŁOWICA DOSTRAJAJĄCA (GŁOWA UDERZAJĄCA)**
- TAG ZWOLNIENIA**

* Nie wszystkie pokazane na ilustracji akces-

Ważona moc akustyczna $L_{WA} = 92.5 \text{ dB(A)}$

K_{WA} 3 dB(A)

Używać ochrony słuchu.



INFORMACJE DOTYCZĄCE DRGAŃ

Typowa wibracja ważona $a_n < 2.5 \text{ m/s}^2$

Niepewność $K = 1.5 \text{ m/s}^2$

Zadeklarowana całkowita wartość wibracji może być wykorzystana do porównania jednego narzędzia z innym oraz może być użyta we wstępnej ocenie narażenia.

OSTRZEŻENIE: Wartość emisji wibracji w czasie rzeczywistego używania elektronarzędzia może się różnić od zadeklarowanej, w zależności od sposobu używania narzędzia w następujących przykładach i innych sposobach używania narzędzia: Pomoc w minimalizacji narażenia na wibracje. Należy **ZAWSZE** używać ostrych dłut, wiertel i ostrzy. Narzędzie należy konserwować z godnie z instrukcjami i prawidłowo smarować (w odpowiednich miejscach).

Jeśli narzędzie jest używane regularnie należy zakupić akcesoria antywibracyjne.

Należy zaplanować harmonogram pracy w celu rozłożenia używania narzędzi wytwarzających wysoki poziom drgań na kilka dni.

Nieprawidłowe prowadzenie tego narzędzia może spowodować syndrom wibracji rąk.


OSTRZEŻENIE: W szczególności, oszacowanie poziomu ekspozycji w rzeczywistych warunkach używania powinno brać także pod uwagę wszystkie elementy cyklu działania, takie jak czasy wyłączenia narzędzia i czas bezczynności, ale nie rzeczywiste wykonywaną pracę. Może to znacznie zmniejszyć poziom ekspozycji w całym okresie pracy. Pomoc w minimalizacji narażenia na wibracje. Należy **ZAWSZE** używać ostrych dłut, wiertel i ostrzy. Narzędzie należy konserwować z godnie z instrukcjami i prawidłowo smarować (w odpowiednich miejscach).

Jeśli narzędzie jest używane regularnie należy zakupić akcesoria antywibracyjne.

Należy zaplanować harmonogram pracy w celu rozłożenia używania narzędzi wytwarzających wysoki poziom drgań na kilka dni.

4. MONTAŻ I OBSŁUGA

DZIAŁANIE	RYSUNEK
MONTAŻ	
Montaż uchwyty pomocniczego	Patrz Rys. A1,A2,A3
Wyjmowanie zatyczki z rurki UWAGA: Przed montażem drążka, proszę najpierw usunąć zabezpieczenie zatyczki z rurki na urządzeniu.	Patrz Rys. B1
Montaż słupa	Patrz Rys. B2
Montaż Osłony Zabezpieczającej Włóż metalowy wspornik do gniazda osłony bezpieczeństwa, a następnie zabezpiecz ją na miejscu za pomocą śrub i klucza sześciokątnego.	Patrz Rys. C
DEMONTAŻ I MONTAŻ AKUMULATORA UWAGA: • Ta kosiarka będzie działać tylko, gdy zainstalowane są 2 akumulatory. Zawsze używać dwóch takich samych akumulatorów i ładować je równocześnie. • W przypadku korzystania z dwóch akumulatorów o różnych amperogodzinach lub poziomach naładowania, urządzenie będzie działać z najniższym wspólnym mianownikiem. • Zaleca się stosowanie akumulatora o pojemności 4.0 Ah lub większej, aby uzyskać lepszą wydajność i dłuższy czas pracy.	Patrz Rys. D1, D2
Sprawdzanie stanu naładowania akumulatora UWAGA: Fig. D3 dotyczy wyłącznie akumulatora wyposażonego w kontrolkę świetlną.	Patrz Rys. D3

Ładowanie akumulatora UWAGA: • Akumulator jest dostarczany w stanie nienaładowanym. Przed pierwszym użyciem kosiarki należy w pełni naładować akumulator. • Zawsze ładować oba akumulatory jednocześnie. Więcej szczegół znajduje się w instrukcji obsługi ładowarki.	Patrz Rys. D4	Nawijanie żyłki trymera Krok 1: Wyjmij akumulator z podkaszarki. Krok 2: Obróć głowicę podkaszarki w kierunku strzałki, aby wyrównać ją z oczkiem. Krok 3: Włóż linkę do oczka (J2) i popychaj ją, aż jej koniec wyjdzie z przeciwnego oczka. Krok 4: Przeciągnij linkę z drugiej strony, aż oba końce linki o tej samej długości będą wystawać po obu stronach głowicy podkaszarki (nie więcej niż 2 metry po każdej stronie). Krok 5: Obróć głowicę, aby załadować linkę. UWAGA: Szpulę należy zwinąć w głowicy trymera. Szpuli nie wolno owijać nicią, a następnie instalować w głowicy trymera.	Patrz Rys. J1,J2,J3
Wskaźnik mocy akumulatora na urządzeniu W celu uzyskania szczegółów należy zapoznać się z rozdziałem STAN AKUMULATORA	Patrz Rys. D5		
DZIAŁANIE Zacząć  OSTRZEŻENIE! Głowica tnąca kontynuuje obracanie po wyłączeniu podkaszarki, dlatego narzędzie można położyć dopiero po jego zatrzymaniu. Najpierw naciśnij przycisk blokady, a następnie spust włącznika, aby uruchomić maszynę.	Patrz Rys. E		
102 ECO Prędkość Aby wydłużyć czas pracy, naciśnij przycisk ECO i przełącz spust, a maszyna będzie pracować z niską prędkością.	Patrz Rys. F		
Lamówka	Patrz Rys. G		
Wyboisty kanał	Patrz Rys. H		
Montaż i demontaż głowicy trymera Włóż klucz imbusowy do otworu i obracaj głowicę trymera, aż zatrzyma się w pozycji zablokowanej. Następnie wyjmij go, obracając w kierunku przeciwnym do ruchu wskazówek zegara, a następnie zmontuj go, obracając w kierunku zgodnym z ruchem wskazówek zegara.	Patrz Rys. I		

DIODY LED STANU BATERII (Patrz Rys.D5)

Przed uruchomieniem lub po eksploatacji urządzenia naciśnij przycisk znajdujący się obok kontrolki zasilania na urządzeniu, aby sprawdzić pojemność akumulatora. Podczas pracy pojemność akumulatora będzie wskazywana automatycznie przez wskaźnik naładowania akumulatora.

Wskaźnik nieustannie mierzy i wyświetla stan akumulatora w następujący sposób. W przypadku urządzeń z 2 akumulatorami o różnej mocy, wskaźnik zasilania pokazuje stan naładowania akumulatora o niższym poziomie naładowania.

Stan kontrolki LED baterii	Stan baterii
Świeci pięć zielonych kontrolki (■ ■ ■ ■ ■).	Dwie baterie są w pełni doładowane.
Świecą dwie, trzy lub cztery zielonych kontrolki.	Dwie baterie są w czynności. Większa ilość świecących kontrolki oznacza wyższy stan doładowania baterii.
Świeci wyłącznie jedna zielona kontrolka (■ □ □ □ □).	Przynajmniej jedna bateria jest wyładowana i należy ją doładować.
Nie świeci żadna kontrolka.	Nie zainstalowano przynajmniej jednej baterii lub jest uszkodzona.

Wyłącznie jedna kontrolka świeci dwa razy w cyklu.	Przynajmniej jedna bateria jest wyładowana (skontrolować stan naładowania), przed ponownym użyciem lub składowaniem należy naładować dwie baterie.
Wyłącznie jedna kontrolka świeci trzy razy w cyklu.	Przynajmniej jedna bateria jest gorąca, poczekać do obniżenia temperatury przed ponownym użyciem.
Wyłącznie jedna kontrolka świeci cztery razy w cyklu.	Maszyna jest obciążona. Zaprzestać pracy z urządzeniem w danym obszarze i ponownie wszczać pracę.

INSTRUKCJA OBSŁUGI

! **OSTRZEŻENIE!** Ładowarka oraz akumulatorki są specjalnie zaprojektowane do tego, aby pracowały razem, a więc nie należy używać innych urządzeń. Nigdy nie należy wkładać ani dopuszczać przedmiotów metalicznych do ładowarki lub pojemnika baterijnego, gdyż może to spowodować uszkodzenie układu elektrycznego i niebezpieczeństwo porażenia prądem.

1. System podawania linii wypukłej (Patrz Rys. H)

Trymer jest wyposażony w system linii buforowej. Za każdym razem, gdy dotkniesz głowicy trymera podczas pracy maszyny, pojawia się nowa linia.

2. Nawijanie żyłki trymera (WA0201) (Patrz Rys. J1, J2)

Przeciagnij linię zastępczą przez oczko i podaj z drugiej strony. Upewnij się, że oba końce drutu są płaskie na końcach głowicy przycinającej (zalecane 2 m), a następnie odetnij drut. Obróć tarczę zgodnie z ruchem wskazówek zegara, aby nawijać nić na szpulkę, aż będzie 19 cm lewej i prawej strony.

PRZECHOWYWANIE PRZYCINARKI DO TRAWY

! **Zawsze po użyciu wyjmować akumulator z przycinarki.**

Przechowanie podkaszarki do trawy

Podkaszarka jest wyposażona w uchwyty do zawieszania na ścianie. (Patrz Rys. K)
Przechowywać w suchym miejscu, gwarantującym ochronę urządzenia i akumulatora przed zniszczeniem.

5.KONSERWACJA



Zawsze po użyciu wyjmować akumulator z przycinarki.

Zawsze przed użyciem sprawdzić, czy produkt nie jest uszkodzony.

Przed dokonywaniem jakichkolwiek regulacji, obsługi technicznej lub konserwacji należy wyjąć wtyczkę z gniazdka.

Narzędzie to nie wymaga żadnego dodatkowego smarowania czy konserwacji. W narzędziu nie ma żadnych części, które wymagałyby serwisowania przez użytkownika. Nigdy nie należy używać wody czy środków czyszczących do czyszczenia narzędzia z napędem elektrycznym. Czyścić suchą szmatką. Zawsze należy przechowywać narzędzie w suchym miejscu. Utrzymywać w czystości otwory wentylacyjne silnika. Utrzymywać wszystkie urządzenia sterujące w czystości.

6.ZASADY OCHRONY ŚRODOWISKA



Nie wolno mieszać zużytych urządzeń elektrycznych z innymi odpadami domowymi.

Należy je oddawać do recyklingu tam, gdzie istnieją odpowiednie zakłady bądź punkty zdawania odpadów. Porady w tym zakresie można zasięgnąć u najbliższego sprzedawcy lub w przedstawicielstwie władz lokalnych.

7.DEKLARACJA ZGODNOŚCI

My,
Positec Germany GmbH
Postfach 32 02 16, 50796 Cologne, Germany

Deklarujemy, że produkt,
Nazwa **Bezprzewodowa podkaszarka do trawy**
Typ **WG185E WG185E.X (1-oznaczenie maszyny, reprezentatywne dla bezprzewodowej podkaszarki do trawy)**
Funkcje **koszenie trawy i podobnej innej miękkiej roślinności oraz do obcinania krawędzi trawników**

Jest zgodny z następującymi dyrektywami
2006/42/EC, 2014/30/EU, 2011/65/EU&(EU)2015/863, 2000/14/EC zmieniona dyrektywą 2005/88/EC

2000/14/EC zmieniona dyrektywą 2005/88/EC:

- Procedura oceny zgodności zgodna z **Aneksem VI Dyrektywy**
- Moc dźwięku **92.5 dB (A)**
- Deklarowana gwarantowana moc dźwięku **96 dB (A)**

Dane jednostki notyfikowanej

**Nazwa: Intertek Deutschland GmbH (notyfikowane
Stosownie 0905)**

Adres: Stangenstraße 1, 70771

LEINFELDEN-ECHTERDINGEN

Normy są zgodne z,

EN 60335-1, EN 50636-2-91, EN 62233,

EN ISO 3744, EN IEC 55014-1, EN IEC 55014-2,

EN IEC 63000

Osoba upoważniona do kompilacji pliku technicznego,

Nazwa: Marcel Filz

Adres: Positec Germany GmbH

Postfach 32 02 16, 50796 Cologne, Germany



2023/09/12

Allen Ding

Zastępca głównego inżyniera, testowanie i certyfikacja

Positec Technology (China) Co., Ltd

18, Dongwang Road, Suzhou Industrial

Park, Jiangsu 215123, P. R. China

8. ROZWIĄZYWANIE PROBLEMÓW

W poniższej tabeli podane są usterki i sposób ich usuwania, który wykonać można kiedy urządzenie nie działa poprawnie.



Ostrzeżenie: Przed wykonaniem jakiegokolwiek usuwania usterki zawsze najpierw wyłączyć urządzenie i wyjąć z niego baterię.

Objawy	Możliwa przyczyna	Możliwe rozwiązanie
Przycinarka nie działa.	Akumulator wyczerpany. Akumulator za ciepły/za zimny. Silnik jest uszkodzony. Uszkodzenie wewnętrznych obwodów urządzenia..	Naładować akumulator, patrz instrukcja ładowarki. Pozwolić na ochłodzenie/ogrzanie. Skontaktować się z serwisem. Skontaktować się z serwisem.
Przycinarka przerywa.	Silnik zepsuty. Akumulator nienaladowany w pełni. Uszkodzony włącznik.	Skontaktować się z serwisem. Naładować akumulator. Skontaktować się z serwisem.
Nadmierne wibracje/hałas.	Uszkodzona maszyna. Szpula linki nienawinięta prawidłowo.	Skontaktować się z serwisem. Przewinąć linkę. Patrz „Mocowanie zespołu szpuli i linki”.
Za krótki czas działania na akumulatorze.	Akumulatora nie używano przez długi czas lub za krótko ładowano. Za wysoka trawa. Akumulator uszkodzony.	Całkowicie naładować akumulator. Patrz także instrukcja ładowarki. Ciąć etapami. Wymienić akumulator.

<p>Maszyna nie przycina.</p>	<p>Linka zerwana. Akumulator nienaładowany w pełni. Silnik uszkodzony (za mała prędkość). Trawa splątana na głowicy tnącej.</p>	<p>Wymienić linkę. Naładować akumulator. Patrz także instrukcja ładowarki. Skontaktować się z serwisem. Usunąć trawę.</p>
<p>Kontrolka ładowania akumulatora świeci przez cały czas. Nie można naładować akumulatora.</p>	<p>Akumulator niewłożony (prawidłowo). Zabrudzone styki akumulatora. Uszkodzony akumulator.</p>	<p>Prawidłowo włożyć akumulator do ładowarki. Wyczyścić styki (np. przez kilkukrotne włożenie i wyjęcie akumulatora) lub wymienić akumulator. Wymienić akumulator.</p>
<p>Kontrolka ładowania akumulatora nie zapala się.</p>	<p>Wtyczka ładowarki niepodłączona (prawidłowo). Uszkodzone gniazdko, przewód lub ładowarka.</p>	<p>Całkowicie wcisnąć wtyczkę do gniazdka. Sprawdzić napięcie zasilania. Ładowarka powinna być sprawdzona przez autoryzowany serwis.</p>

ΠΙΝΑΚΑΣ ΠΕΡΙΕΧΟΜΕΝΩΝ

1. ΑΣΦΑΛΕΙΑ ΠΡΟΪΟΝΤΟΣ
2. ΛΙΣΤΑ ΣΥΣΤΑΤΙΚΩΝ
3. ΤΕΧΝΙΚΕΣ ΠΛΗΡΟΦΟΡΙΕΣ
4. ΟΔΗΓΙΕΣ ΛΕΙΤΟΥΡΓΙΑΣ
5. ΣΥΝΤΗΡΗΣΗ
6. ΠΕΡΙΒΑΛΛΟΝΤΙΚΗ ΠΡΟΣΤΑΣΙΑ
7. ΔΗΛΩΣΗ ΣΥΜΜΟΡΦΩΣΗΣ
8. ΛΥΣΗ ΤΟΥ ΠΡΟΒΛΗΜΑΤΟΣ

Οι χρήστες μπορούν να δουν τις ηλεκτρονικές οδηγίες στη διεύθυνση <https://eu.worx.com>.

1.ΑΣΦΑΛΕΙΑ ΠΡΟΪΟΝΤΟΣ ΠΡΟΕΙΔΟΠΟΙΗΣΕΙΣ ΑΣΦΑΛΕΙΑΣ ΓΕΝΙΚΟΥ



ΠΡΟΕΙΔΟΠΟΙΗΣΗ!

Διαβάστε όλες τις υποδείξεις. Η μη τήρηση των παρακάτω υποδείξεων μπορεί να έχει σα συνέπεια ηλεκτροπληξία, κίνδυνο πυρκαϊάς ή/και σοβαρούς τραυματισμούς.

Φυλάξτε όλες τις προειδοποιήσεις και τις οδηγίες για μελλοντική αναφορά.

Η συσκευή προορίζεται για χρήση μόνο με τη μονάδα παροχής ρεύματος που συνοδεύει τη συσκευή.

ΣΗΜΑΝΤΙΚΟ

ΠΡΙΝ ΑΠΟ ΤΗ ΧΡΗΣΗ, ΔΙΑΒΑΣΤΕ ΠΡΟΣΕΚΤΙΚΑ ΔΙΑΤΗΡΗΣΤΕ ΤΟ ΓΙΑ ΜΕΛΛΟΝΤΙΚΗ ΑΝΑΦΟΡΑ

Ασφαλείς πρακτικές λειτουργίας

1. 1ΕΚΠΑΙΔΕΥΣΗ

- a) Διαβάστε προσεκτικά τις οδηγίες. Εξοικειωθείτε με τα χειριστήρια και τη σωστή χρήση της συσκευής.
- b) Ποτέ μην επιτρέπετε σε παιδιά, άτομα με μειωμένες φυσικές, αισθητηριακές ή πνευματικές ικανότητες, ή με έλλειψη εμπειρίας και γνώσεων, ή σε άτομα που δεν είναι εξοικειωμένα με αυτές τις οδηγίες να χρησιμοποιούν το μηχάνημα. Οι τοπικοί κανονισμοί ενδέχεται να επιβάλλουν περιορισμούς στην ηλικία των χειριστών.
- c) Ο χειριστής ή ο χρήστης είναι υπεύθυνος για πιθανά ατυχήματα ή κινδύνους που συμβαίνουν σε άλλα άτομα ή στην παρουσία τους.

2.ΠΡΟΕΤΟΙΜΑΣΙΑ

- a) Πριν από τη χρήση να επιθεωρείτε πάντοτε οπτικά το μηχάνημα για να διαπιστώσετε αν τα προστατευτικά που φέρει

έχουν ζημιά, λείπουν ή έχει αλλάξει η θέση τους.

b) Μη θέτετε ποτέ τη μηχανή σε λειτουργία όταν υπάρχουν κοντά άνθρωποι, ειδικά παιδιά ή κατοικίδια ζώα.

3.ΛΕΙΤΟΥΡΓΙΑ

a) Φοράτε πάντα προστατευτικά ματιών, μακρύ παντελόνι και σταθερά παπούτσια κατά τη λειτουργία του μηχανήματος.

b) Αποφύγετε τη χρήση του μηχανήματος υπό κακές καιρικές συνθήκες, ειδικά όταν υπάρχει κίνδυνος αστραπών.

c) Χρησιμοποιείτε τη μηχανή μόνον στο φως της ημέρας ή κάτω από καλό τεχνητό φωτισμό.

d) Ποτέ μην λειτουργείτε τη μηχανή με κατεστραμμένους προφυλακτήρες ή χωρίς να είναι στη θέση τους οι προφυλακτήρες.

e) Πρέπει πάντα να διατηρείτε τα χέρια και τα πόδια σας μακριά από τον κόπτη και ιδιαίτερα όταν ανάβετε τη μηχανή.

f) Αποσυνδέετε τη συσκευή από το ρεύμα (αφαιρέστε την μπαταρία από το μηχανήμα)

1) κάθε φορά που το μηχανήμα μένει χωρίς επίβλεψη,

2) Πριν το καθαρίσετε από ένα μπλοκάρισμα;

3) Πριν κάνετε έλεγχο, καθαρίσμα ή εργαστείτε στο ηλεκτρικό εργαλείο;

4) Αφού χτυπήσετε ένα άγνωστο αντικείμενο;

5) κάθε φορά που το μηχανήμα αρχίζει να δονείται μη φυσιολογικά.

g) Προσέχετε να μην τραυματιστείτε από όποια συσκευή που ενώνεται για την κοπή του μήκους της γραμμής του νήματος.

h) Πάντα να διατηρείτε τις σπές εξαερισμού χωρίς σκουπίδια.

i) Ποτέ μην εφαρμόζετε μεταλλικά κοπτικά μέρη.

j) Να προσέχετε πάντα τα βήματα σας όταν βαδίζετε σε πλαγιές με κλίση

k) Να περπατάτε και να μην τρέχετε ποτέ...

l) Μην τεντώνετε υπερβολικά και κρατάτε πάντα την ισορροπία σας.

m) Μην ακουμπάτε επικίνδυνα, κινούμενα εξαρτήματα προτού αφαιρέσετε το στοιχείο μπαταρίας από το μηχανήμα και προτού τα σταματήσει πλήρως η κίνηση των επικίνδυνων

εξαρτημάτων.

4.ΣΥΝΤΗΡΗΣΗ ΚΑΙ ΑΠΟΘΗΚΕΥΣΗ

- a) Αποσυνδέετε τη συσκευή από το ρεύμα (αφαιρέστε την μπαταρία από το μηχάνημα) πριν ελέγξετε, καθαρίσετε ή διορθώσετε τη συσκευή και όταν δεν χρησιμοποιείται.
- b) Να χρησιμοποιείται γνήσιος μόνο ανταλλακτικά και αξεσουάρ.
- c) Επιθεωρείτε και συντηρείτε τακτικά το μηχάνημα. Αναθέστε την επισκευή του μηχανήματος μόνο σε εξουσιοδοτημένο τεχνικό επισκευών.
- d) Όταν δεν χρησιμοποιείται, αποθηκεύστε τη μηχανή σε χώρους στους οποίους δεν έχουν πρόσβαση παιδιά

ΑΣΦΑΛΕΙΑ ΜΠΑΤΑΡΙΑΣ ΠΡΟΕΙΔΟΠΟΙΗΣΕΙΣ ΑΣΦΑΛΕΙΑΣ ΓΙΑ ΤΗ ΣΥΣΤΟΙΧΙΑ ΜΠΑΤΑΡΙΩΝ

- a) Απαγορεύονται η αποσυναρμολόγηση, το άνοιγμα ή το κόψιμο στοιχείων μπαταριών ή συστοιχιών μπαταριών.
- b) Δεν πρέπει να βραχυκυκλώνετε συστοιχίες μπαταριών.

Οι συστοιχίες μπαταριών δεν πρέπει να φυλάσσονται ανοργάνωτα σε κουτί ή συρτάρι όπου μπορεί να βραχυκυκλώσουν η μία την άλλη ή να βραχυκυκλωθούν από αγωγίμα υλικά. Όταν δεν χρησιμοποιείτε την μπαταρία, φροντίστε να τη φυλάσσετε μακριά από άλλα μεταλλικά αντικείμενα, όπως συνδετήρες χαρτιού, κέρματα, κλειδιά, καρφιά, βίδες ή άλλα μικρά μεταλλικά είδη, που μπορεί να δημιουργήσουν σύνδεση μεταξύ των δύο ακροδεκτών. Αν τοποθετήσετε τους ακροδέκτες της μπαταρίας τον ένα δίπλα στον άλλο, μπορεί να προκληθούν εγκαύματα ή πυρκαγιά.

- c) Μην αφήσετε τη συστοιχία μπαταριών εκτεθειμένη σε υψηλή θερμοκρασία ή φωτιά. Αποφύγετε την αποθήκευσή της σε σημείο άμεσα εκτεθειμένο στο φως του ήλιου.
- d) Μην αφήσετε τη

συστοιχία μπαταριών να υποστεί μηχανικό πλήγμα.

e) Σε περίπτωση διαρροής της μπαταρίας, μην αφήσετε το υγρό να έρθει σε επαφή με το δέρμα ή τα μάτια σας. Αν συμβεί κάτι τέτοιο, πλύνετε το προσβεβλημένο σημείο με άφθονο νερό και ζητήστε τη συμβουλή γιατρού.

f) Η συστοιχία μπαταριών πρέπει να είναι πάντα καθαρή και στεγνή.

g) Αν λερωθούν οι ακροδέκτες της συστοιχίας μπαταριών, σκουπίστε τους με καθαρό στεγνό πανί.

h) Η συστοιχία μπαταριών χρειάζεται φόρτιση πριν από τη χρήση της. Πρέπει να ανατρέχετε πάντοτε στην παρούσα οδηγία και να χρησιμοποιείτε τη σωστή διαδικασία φόρτισης.

i) Μην αφήνετε τη συστοιχία μπαταριών να φορτίζεται όταν δεν τη χρησιμοποιείτε.

j) Μετά από παρατεταμένες περιόδους αποθήκευσης, μπορεί να χρειαστεί

να φορτίσετε και να αποφορτίσετε τη συστοιχία μπαταριών αρκετές φορές για να επιτευχθούν οι μέγιστες επιδόσεις της.

k) Για επαναφόρτιση χρησιμοποιήστε μόνο τον φορτιστή που καθορίζει η Worx. Μην χρησιμοποιήσετε άλλον φορτιστή εκτός από αυτόν που παρέχεται αποκλειστικά για χρήση μαζί με τον εξοπλισμό.

l) Μην χρησιμοποιήσετε άλλη συστοιχία μπαταριών που δεν έχει σχεδιαστεί για χρήση μαζί με τον εξοπλισμό.

m) Φυλάξτε τη συστοιχία μπαταριών μακριά από σημεία όπου μπορεί να τη βρουν τα παιδιά.

n) Φυλάξτε τα αρχικά ενημερωτικά έντυπα του προϊόντος γιατί μπορεί να τα χρειαστείτε στο μέλλον.

o) Όταν δεν χρησιμοποιείτε την μπαταρία, πρέπει να την αφαιρείτε από τον εξοπλισμό.

p) Η απόρριψη των μπαταριών πρέπει να γίνεται με τον

ενδεικτικό τρόπο.
α) Μην αναμειγνύετε τις μπαταρίες ή διαφορετική κατασκευή, χωρητικότητα, μέγεθος ή τύπο μέσα στον εξοπλισμό.

β) Φυλάτε την μπαταρία μακριά από συσκευές μικροκυμάτων και υψηλή πίεση.

ΣΥΜΒΟΛΑ

	Διαβάστε το βιβλίο οδηγιών
	Να κρατάτε τους ανθρώπους σε απόσταση.
	Φορέστε την προστασία των ματιών και των αυτιών
	Μην το αφήνετε σε βροχή ή νερό
	Απόβλητα σχετικά με ηλεκτρισμό δεν πρέπει να πετάγονται μαζί με τα απόβλητα του νοικοκυριού. Παρακαλούμε να τα ανακυκλώνετε εκεί όπου υπάρχουν οι απαραίτητες εγκαταστάσεις. Ελέγξτε στον τοπικό σας δήμο ή στους πωλητές για συμβουλές ανακύκλωσης.

	Μπαταρία ιόντων λιθίου. Το προϊόν αυτό διαθέτει επισήμανση ενός συμβόλου που αφορά την «εξεχωριστή συλλογή» για όλες τις συστοιχίες μπαταριών και για την παρούσα συστοιχία μπαταριών. Στη συνέχεια θα ανακυκλωθεί ή θα αποσυναρμολογηθεί ώστε να ελαχιστοποιηθούν οι επιπτώσεις στο περιβάλλον. Οι συστοιχίες μπαταριών μπορούν να είναι επικίνδυνες για το περιβάλλον και την ανθρώπινη υγεία καθώς περιέχουν επικίνδυνες ουσίες.
	Πριν από την αλλαγή των αξεσουάρ βεβαιωθείτε ότι η μπαταρία έχει αφαιρεθεί.
	Κοπτική λειτουργία
	Μην καεί
	Εάν γίνει εσφαλμένη απόρριψη των μπαταριών μπορεί να εισέλθουν στον κύκλο του νερού με αποτέλεσμα να θεθεί σε κίνδυνο το οικοσύστημα. Μην απορρίπτετε τις άχρηστες μπαταρίες ως μη ταξινομημένα αστικά απορρίμματα.

2.ΛΙΣΤΑ ΣΥΣΤΑΤΙΚΩΝ

- ΜΠΑΤΑΡΙΑ***
- ΛΥΧΝΙΑ ΕΝΔΕΙΞΗΣ ΜΠΑΤΑΡΙΑΣ**
- ΚΟΥΜΠΙ ΑΣΦΑΛΙΣΗΣ**
- ΣΚΑΝΔΑΛΗ ΜΕΤΑΒΛΗΤΗΣ ΤΑΧΥΤΗΤΑΣ**
- ΚΟΥΜΠΙ ΕΣΟ**
- ΑΝΩ ΑΞΟΝΑΣ**
- ΒΟΗΘΗΤΙΚΗ ΛΑΒΗ**
- ΣΥΖΕΥΚΤΗΣ ΚΑΤΩ ΑΞΟΝΑ**
- ΑΣΦΑΛΕΙΑ ΠΡΟΣΤΑΣΙΑΣ**
- ΓΡΑΜΜΙΚΟΣ ΚΟΠΤΗΣ**

11. ΚΕΦΑΛΗ ΧΛΟΟΚΟΠΤΙΚΟΥ (ΚΕΦΑΛΗ ΠΡΟΣΚΡΟΥΣΗΣ)

12. ΓΛΩΤΤΙΔΑ ΑΠΟΔΕΣΜΕΥΣΗΣ

*Δεν περιλαμβάνονται στο βασικό εξοπλισμό όλα τα εξαρτήματα που απεικονίζονται ή περιγράφονται.

3.ΤΕΧΝΙΚΕΣ ΠΛΗΡΟΦΟΡΙΕΣ

Τύπος **WG185E WG185E.X (1-Ονομασία μηχανήματος, αντιπροσωπευτική για Ασύρματο χλοοκοπτικό)**

	WG185E WG185E.X **
Βολτ	40 V \equiv MAX (2x20V MAX) ***
Ονομαστική ταχύτητα χωρίς φορτίο	6000/min
Διάμετρος κοπής για το θαμνοκοπτικό	38cm
Μήκος γραμμής κοπής	2.4mm
Μήκος γραμμής	Max. 4m (Διπλή έξοδος)
Βάρος μηχανήματος (γυμνό εργαλείο)	2.87kg

** X=1-999, A-Z, M1-M9 χρήση μόνο για διαφορετικούς πελάτες, δεν υπάρχουν ασφαλείς σχετικές διαφορές μεταξύ αυτών των μοντέλων
*** Τάση μετρηθείσα χωρίς φορτίο. Η αρχική τάση της μπαταρίας φτάνει έως 20 volt. Η ονομαστική τάση είναι 18 volt.

ΠΡΟΤΕΙΝΟΜΕΝΕΣ ΜΠΑΤΑΡΙΕΣ ΚΑΙ ΦΟΡΤΙΣΤΕΣ

Κατηγορία	Μοντέλο	Χωρητικότητα
Μπαταρία 20V	WA3014	4.0Ah
	WA3644	4.0Ah
Φορτιστής 20V	WA3883	4.0A

Συνιστούμε να αγοράζετε τα εξαρτήματά σας από το ίδιο κατάστημα από το οποίο αγοράσατε το εργαλείο. Διαβάστε τις πληροφορίες πάνω στη συσκευασία του εξαρτήματος για περισσότερες

λεπτομέρειες. Το προσωπικό του καταστήματος μπορεί να σας βοηθήσει και να σας συμβουλευθεί.

ΠΛΗΡΟΦΟΡΙΕΣ ΘΟΡΥΒΟΥ

Μετρημένη ηχητική πίεση $L_{pA} = 78.4 \text{ dB(A)}$

$K_{pA} = 3 \text{ dB(A)}$

Μετρημένη ηχητική δύναμη $L_{WA} = 92.5 \text{ dB(A)}$

$K_{WA} = 3 \text{ dB(A)}$

Χρησιμοποιήστε μέσα προστασίας της ακοής σας



ΠΛΗΡΟΦΟΡΙΕΣ ΚΡΑΔΑΣΜΩΝ

Τιμή εκπομπής δόνησης $a_n < 2.5 \text{ m/s}^2$

Αβεβαιότητα $K = 1.5 \text{ m/s}^2$

Η δηλωμένη συνολική τιμή δόνησης μπορεί να χρησιμοποιηθεί για τη σύγκριση ενός εργαλείου με ένα άλλο και μπορεί να χρησιμοποιηθεί, επίσης, σε προκαταρκτική αξιολόγηση έκθεσης.

ΠΡΟΣΟΧΗ: Η τιμή εκπομπής κραδασμών κατά τη διάρκεια της ενεργούς χρήσης του εργαλείου ενδέχεται να διαφέρει από την τιμή που αναφέρεται ανάλογα με τους τρόπους με τους οποίους χρησιμοποιείται το εργαλείο, ανάλογα με τα ακόλουθα παραδείγματα και άλλες μεταβλητές στον τρόπο χρήσης του εργαλείου:
Αν το εργαλείο βρίσκεται σε καλή κατάσταση και συντηρείται σωστά
Αν χρησιμοποιείται το κατάλληλο εξάρτημα για το εργαλείο και αν είναι αιχμηρό και σε καλή κατάσταση.
Πόσο σφικτή είναι η λαβή στο χερούλι και αν χρησιμοποιούνται αξεσουάρ κατά των κραδασμών.
Αν χρησιμοποιείται το εργαλείο όπως έχει προδιαγραφεί από το σχεδιασμό του και τις παρούσες οδηγίες.

Το εργαλείο αυτό ενδέχεται να προκαλέσει σύνδρομο κραδασμού χεριού-βραχίονα εάν η χρήση του δεν ελέγχεται σωστά

ΠΡΟΣΟΧΗ: Για να υπάρχει ακρίβεια, η εκτίμηση του επιπέδου έκθεσης σε πραγματικές συνθήκες χρήσης πρέπει να λάβει επίσης υπόψη όλα τα μέρη του κύκλου λειτουργίας όπως τις φορές που το εργαλείο απενεργοποιείται καθώς και όταν λειτουργεί σε κενό αλλά δεν κάνει

πραγματικά την εργασία. Αυτό μπορεί να μειώσει σημαντικά το επίπεδο έκθεσης μέσα στη συνολική περίοδο λειτουργίας.

Βοήθεια στην ελαχιστοποίηση του κινδύνου έκθεσης σε κραδασμούς.

Να συντηρείτε το εργαλείο σύμφωνα με τις παρούσες οδηγίες και να το διατηρείτε καλά γρασαρισμένο (εκεί που ισχύει)

Εάν το εργαλείο πρόκειται να χρησιμοποιείται τακτικά τότε επενδύστε σε αξεσουάρ κατά των κραδασμών.

Σχεδιάστε το πρόγραμμα της εργασίας σας έτσι ώστε να διαμοιράσετε τη χρήση εργαλείων υψηλών κραδασμών μέσα σε μερικές μέρες.

4.ΣΥΝΑΡΜΟΛΟΓΗΣΗ & ΔΙΑΔΙΚΑΣΙΑ ΦΟΡΤΙΣΗΣ

ΕΝΕΡΓΕΙΑ	ΣΙΚ
ΣΥΝΑΡΜΟΛΟΓΗΣΗ	
Συναρμολόγηση της βοηθητικής χειρολαβής	Βλ. Εικ. A1,A2,A3
Αφαίρεση του βύσματος του σωλήνα ΣΗΜΕΙΩΣΗ: Προτού συναρμολογήσετε το κοντάρι, αφαιρέστε πρώτα το προστατευτικό βύσματος σωλήνα στο μηχανήμα.	Βλ. Εικ. B1
Συναρμολόγηση του στύλου	Βλ. Εικ. B2
Συναρμολόγηση της ασφάλειας προστασίας Εισαγάγετε το μεταλλικό στήριγμα μέσα στην εσοχή του προστατευτικού ασφαλείας, κατόπιν ασφαλίστε το προστατευτικό στη σωστή θέση χρησιμοποιώντας τη βίδα και το εξάγωνο κλειδί.	Βλ. Εικ. C

Βγαζοντας ή βαζοντας μι α μπαταρια
ΣΗΜΕΙΩΣΗ:

• Το μηχανήμα αυτό θα μπορέσει να λειτουργήσει μόνο εφόσον τοποθετηθούν 2 μπαταρίες.

Συστήνεται να χρησιμοποιείτε τις ίδιες δύο μπαταρίες και να τις φορτίζετε ταυτόχρονα.

• Όταν χρησιμοποιείτε δύο μπαταρίες με διαφορετική ισχύ, το μηχανήμα θα λειτουργεί μόνο στην χαμηλότερη κοινή ονομαστική τιμή

• Συστήνεται η χρήση συστοιχίας μπαταριών 4.0Ah ή ανώτερη για καλύτερη απόδοση και μεγαλύτερη διάρκεια λειτουργίας.

Βλ. Εικ. D1, D2

Έλεγχος της κατάστασης φόρτισης μπαταρίας
ΣΗΜΕΙΩΣΗ:UWAGA: Η Εικ. D3, ισχύει μόνο για τη συστοιχία μπαταριών με ενδεικτική λυχνία μπαταρίας.

Βλ. Εικ. D3

Φορτίζοντας την μπαταρια σας
ΣΗΜΕΙΩΣΗ:

• Οι μπαταρίες αποστέλλονται αφορτιστες. Κάθε μπαταρία πρέπει να φορτίζεται πλήρως πριν την πρώτη χρήση.

• Φορτίζετε πάντα και τις δύο μπαταρίες ταυτόχρονα. Μπορείτε να βρείτε περισσότερες λεπτομέρειες στο εγχειρίδιο του φορτιστή.

Βλ. Εικ. D4

Ένδειξη ισχύος μπαταρίας επάνω στο μηχανήμα

Δείτε τις λεπτομέρειες στο απόσπασμα ΚΑΤΑΣΤΑΣΗ ΜΠΑΤΑΡΙΑΣ

Βλ. Εικ. D5

ΟΔΗΓΙΕΣ ΛΕΙΤΟΥΡΓΙΑΣ

Έναρξη



ΠΡΟΕΙΔΟΠΟΙΗΣΗ! Η

κεφαλή κοπής συνεχίζει να περιστρέφεται αφού σβήσει η κοπτική μηχανή. Περιμένετε μέχρι να σταματήσει και μετά αφήστε κάτω το εργαλείο.

Πιέστε πρώτα το κουμπί ασφάλισης, κατόπιν πιέστε το διακόπτη σκανδάλης για την εκκίνηση του μηχανήματος.

Βλ. Εικ. E

Ταχύτητα ECO Για μεγαλύτερη διάρκεια λειτουργίας πατήστε το κουμπί ECO και το διακόπτη σκανδάλη, κατόπιν το μηχανήμα σας θα λειτουργεί σε χαμηλή ταχύτητα.	Βλ. Εικ. F
Κοπτική λειτουργία	Βλ. Εικ. G
Τροφοδοσία πρόσκρουσης	Βλ. Εικ. H
Συναρμολόγηση και απομάκρυνση της κεφαλής χλοοκοπτικού Εισαγάγετε το εξαγωνικό κλειδί μέσα στην οπή και περιστρέψτε την κεφαλή χλοοκοπτικού μέχρι να σταματήσει σε μια θέση ασφάλισης. Κατόπιν περιστρέψτε αριστερόστροφα για να το απομακρύνετε και δεξιόστροφα για να το συναρμολογήσετε.	Βλ. Εικ. I
Τύλιξη της μεσινέζας χλοοκοπτικού Βήμα 1: Αφαιρέστε την μπαταρία από το χλοοκοπτικό Βήμα 2: Περιστρέψτε την κεφαλή κοπής προς την κατεύθυνση του βέλους ώστε να ευθυγραμμίζεται με τον κρίκο σύνδεσης. Βήμα 3 Εισαγάγετε το καλώδιο στον κρίκο σύνδεσης (J2) και σπρώξτε το καλώδιο μέχρι το άκρο του καλωδίου να βγει από τον απέναντι κρίκο σύνδεσης. Βήμα 4: Τραβήξτε το καλώδιο από την άλλη πλευρά μέχρι να εμφανιστούν ίσα μήκη καλωδίου και στις δύο πλευρές της κεφαλής του χλοοκοπτικού (όχι περισσότερο από 2 μ. και στις δύο πλευρές) Βήμα 5: Περιστρέψτε την κεφαλή για να μαζέψετε το καλώδιο. ΣΗΜΕΙΩΣΗ: Το καρούλι πρέπει να είναι τυλιγμένο όσο βρίσκεται μέσα στην κεφαλή χλοοκοπτικού. Το καρούλι δεν μπορεί να είναι τυλιγμένο με νήμα και κατόπιν να εγκατασταθεί στην κεφαλή χλοοκοπτικού	Βλ. Εικ. J1,J2,J3

διαφορετική ισχύ, η λυχνία ένδειξης ισχύος προβάλλει την κατάσταση μπαταρίας με την χαμηλότερη ισχύ από τις δύο μπαταρίες.

Κατάσταση ένδειξης ισχύος μπαταρίας	Κατάσταση μπαταρίας
Ανάβουν πέντε πράσινες λυχνίες (■ ■ ■ ■ ■).	Οι δύο μπαταρίες είναι αρκετά φορτισμένες.
Δύο, τρεις ή τέσσερις πράσινες λυχνίες ανάβουν.	Οι δύο μπαταρίες έχουν λίγη εναπομείνουσα φόρτιση. Όσο περισσότερες λυχνίες ανάβουν, τόσο μεγαλύτερη είναι η χωρητικότητα της μπαταρίας.
Μόνο μια πράσινη λυχνία (■ □ □ □ □) ανάβει.	Τουλάχιστον μια μπαταρία είναι σχεδόν εξαντλημένη και πρέπει να φορτιστεί.
Δεν ανάβει καμία λυχνία.	Τουλάχιστον μια μπαταρία δεν έχει εγκατασταθεί καλά ή η μπαταρία μπορεί να είναι ελαττωματική.
Μόνο μια λυχνία αναβοσβήνει δύο φορές ανά κύκλο.	Τουλάχιστον μια μπαταρία έχει υπερφορτιστεί (ανατρέξτε στην κατάσταση φόρτισης μπαταρίας), επαναφορτίστε τις δύο μπαταρίες αμέσως πριν από εκ νέου χρήση ή αποθήκευση.
Μόνο μια λυχνία αναβοσβήνει τρεις φορές ανά κύκλο.	Τουλάχιστον μια μπαταρία είναι καυτή, περιμένετε να κρυώσει πριν από επανεκκίνηση.
Μόνο μια λυχνία αναβοσβήνει τέσσερις φορές ανά κύκλο.	Το μηχανήμα έχει υπερφορτωθεί. Αυξήστε το ύψος κοπής ή ωθήστε αργά.

ΟΔΗΓΙΕΣ ΛΕΙΤΟΥΡΓΙΑΣ



ΠΡΟΕΙΔΟΠΟΙΗΣΗ! Ο φορτιστής και η συστοιχία μπαταριών έχουν σχεδιαστεί ειδικά για να χρησιμοποιούνται μαζί, συνεπώς μη χρησιμοποιείτε άλλες συσκευές. Ποτέ μην εισάγετε μεταλλικά αντικείμενα μέσα στον φορτιστή σας ή στις συνδέσεις συστοιχίας μπαταριών διότι μπορεί να προκύψει ηλεκτρική βλάβη και κίνδυνος.

1. Σύστημα τροφοδοσίας νήματος με πίεση (Βλ. Εικ. Η)

Το χλοοκοπτικό είναι εξοπλισμένο με ένα σύστημα τροφοδοσίας νήματος με πίεση. Απλά χτυπήστε την κεφαλή χλοοκοπτικού ενώ λειτουργεί το μηχάνημα για να τροφοδοτηθεί νέο νήμα.

2. Τύλιξη της μεσινέζας χλοοκοπτικού (WA0201) (Βλ. Εικ. J1, J2)

Εισαγάγετε το εφεδρικό νήμα μέσα από το οφθαλμίδιο και τροφοδοτήστε το μέσα από την άλλη πλευρά. Εξασφαλίστε ότι και τα δύο άκρα του νήματος είναι ίσα σε κάθε άκρο της κεφαλής χλοοκοπτικού (Συνιστάται 2 μ.) και κόψτε το νήμα. Γυρίστε το δείκτη δεξιόστροφα για να τυλίξετε το νήμα γύρω από το καρούλι μέχρι να μείνουν περίπου 19 εκ. σε κάποια από τις δύο πλευρές.

ΑΠΟΘΗΚΕΥΣΗ ΤΟΥ ΧΛΟΟΚΟΠΤΙΚΟΥ ΣΑΣ



Πάντα απομακρύνετε τη συστοιχία μπαταριών από το χλοοκοπτικό μετά τη χρήση.

Αποθήκευση του ΧΛΟΟΚΟΠΤΙΚΟΥ σας

Το χλοοκοπτικό παρέχεται με μια σχισμή ανάρτησης για την αποθήκευσή του χλοοκοπτικού στον τοίχο.

(Δείτε την εικ. Κ)

Αποθηκεύετε σε στεγνό χώρο όπου το χλοοκοπτικό και η μπαταρία θα προστατεύονται από ζημιές.

5. ΣΥΝΤΗΡΗΣΗ



Πάντα απομακρύνετε τη συστοιχία μπαταριών από το χλοοκοπτικό μετά τη χρήση.

Ελέγχετε πάντα το προϊόν πριν τη χρήση του για ενδεχόμενες ζημιές.

Μετά από τη χρήση, αποσυνδέετε την μπαταρία από το εργαλείο και ελέγχετε για ζημιές.

Το ηλεκτρικό σας εργαλείο δεν απαιτεί πρόσθετη λίπανση ή συντήρηση. Δεν υπάρχουν στο ηλεκτρικό εργαλείο σας εξαρτήματα για επισκευή από τον χρήστη. Μη χρησιμοποιήσετε ποτέ νερό ή χημικά προϊόντα καθαρισμού για να καθαρίσετε το ηλεκτρικό εργαλείο σας. Καθαρίζετε το σκουπίζοντας το με ένα στεγνό πανί. Αποθηκεύετε πάντα το ηλεκτρικό εργαλείο σας σε τοποθεσία με ξηρό περιβάλλον. Διατηρείτε τις σχισμές εξεαρισμού του μοτέρ καθαρές. Διατηρείτε όλους τους ρυθμιστές λειτουργίας χωρίς σκόνη.

6. ΠΡΟΣΤΑΣΙΑ ΤΟΥ ΠΕΡΙΒΑΛΛΟΝΤΟΣ



Απόβλητα σχετικά με ηλεκτρισμό δεν πρέπει να πετάγονται μαζί με τα απόβλητα του νοικοκυριού. Παρακαλούμε να τα ανακυκλώνετε εκεί όπου υπάρχουν οι απαραίτητες εγκαταστάσεις. Ελέγξτε στον τοπικό σας δήμο ή στους πωλητές για συμβουλές ανακύκλωσης.

7. ΔΗΛΩΣΗ ΣΥΜΜΟΡΦΩΣΗΣ

Εμείς,
Positec Germany GmbH
Postfach 32 02 16, 50796 Cologne, Germany

Δηλώνουμε ότι το προϊόν,
Περιγραφή **Ασύρματο χροοκοπτικό**
Τύπος **WG185E WG185E.X (1-Όνομασία μηχανήματος, αντιπροσωπευτική για Ασύρματο χλοοκοπτικό)**
Αξίωμα **κοπή χόρτων και παρόμοιας μαλακής βλάστησης, και τριμάρισμα γρασιδιού**

Συμμορφώνεται με τις παρακάτω Οδηγίες,
2006/42/ΕΚ, 2014/30/ΕΥ, 2011/65/ΕΥ&(ΕΥ)2015/863, 2000/14/ΕΚ τροποποιήθηκε από την **2005/88/ΕΚ**

2000/14/ΕΟΚ τροποποιήθηκε από την 2005/88/ΕΟΚ:
- Διαδικασία Αξιολόγησης Συμβατότητας σύμφωνα με **Annex VI**

- Μετρημένο επίπεδο τάσης ήχου **92.5 dB (A)**
- Δηλωμένο εγγυημένο επίπεδο τάσης ήχου **96 dB (A)**

Ο εμπλεκόμενος αναγνωρισμένος οργανισμός
Όνομα: Intertek Deutschland GmbH (notifizierte Stelle 0905)
Διεύθυνση: Stangenstraße 1, 70771 LEINFELDEN-ECHTERDINGEN

Πρότυπα συμμόρφωσης:
EN 60335-1, EN 50636-2-91, EN 62233, EN ISO 3744, EN IEC 55014-1, EN IEC 55014-2, EN IEC 63000

Το πρόσωπο που έχει εξουσιοδότηση να συντάξει το τεχνικό αρχείο,
Όνομα Marcel Filz
Διεύθυνση Positec Germany GmbH
Postfach 32 02 16, 50796 Cologne, Germany



2023/09/12

8.ΕΠΙΛΥΣΗ ΠΡΟΒΛΗΜΑΤΩΝ

Στον πίνακα που ακολουθεί αναφέρονται προβλήματα και ενέργειες επίλυσης που μπορείτε να πραγματοποιήσετε αν το μηχάνημά σας δεν λειτουργεί σωστά.



Προειδοποίηση: Απενεργοποιήστε το μηχάνημα και αφαιρέστε τη μπαταρία πριν από οποιαδήποτε ενέργεια επίλυσης προβλήματος.

Προβλήματα	Πιθανές αιτίες	Διορθωτική ενέργεια
Το χλοοκοπτικό δεν λειτουργεί.	Η μπαταρία είναι αποφορτισμένη. Η μπαταρία είναι πολύ ζεστή/κρύα. Ο κινητήρας έχει χαλάσει. Οι εσωτερικές καλωδιώσεις του μηχανήματος έχουν πάθει βλάβη.	Επαναφορτίστε την μπαταρία, βλ. επίσης τα περιεχόμενα του εγχειριδίου του φορτιστή. Αφήστε την να κρυώσει/ζεσταθεί. Επικοινωνήστε με τον αντιπρόσωπο σέρβις. Επικοινωνήστε με τον αντιπρόσωπο σέρβις.
Το χλοοκοπτικό λειτουργεί με διαλείμματα.	Ο κινητήρας έχει χαλάσει. Η μπαταρία δεν είναι πλήρως φορτισμένη. Ο διακόπτης On/Off (Ενεργ./Απενεργ.) έχει χαλάσει.	Επικοινωνήστε με τον αντιπρόσωπο σέρβις. Επαναφορτίστε τη μπαταρία. Επικοινωνήστε με τον αντιπρόσωπο σέρβις.
Υπερβολικές δονήσεις/ θόρυβος.	Το μηχάνημα έχει χαλάσει. Το πηνίο νήματος δεν είναι καλά τυλιγμένο.	Επικοινωνήστε με τον αντιπρόσωπο σέρβις. Τυλίξτε το νήμα. δείτε και "Για τύλιγμα του νήματος με το χέρι"
Ο χρόνος κουρέματος ανά φόρτιση μπαταρίας είναι πολύ μικρός.	Η μπαταρία δεν έχει χρησιμοποιηθεί για πολύ καιρό ή έχει φορτιστεί για λίγο. Το γκαζόν είναι πολύ υψηλό. Η μπαταρία είναι ελαττωματική.	Επαναφορτίστε την μπαταρία, βλ. επίσης τα περιεχόμενα του εγχειριδίου του φορτιστή. Κουρεύετε σε στάδια. Αντικαταστήστε την μπαταρία.
Το μηχάνημα δεν κόβει.	Το νήμα έχει κοπεί. Η μπαταρία δεν είναι πλήρως φορτισμένη. Ο κινητήρας έχει χαλάσει (η ταχύτητα είναι πολύ χαμηλή). Το γκαζόν εμπλέκεται γύρω από την κεφαλή κοπής.	Αντικαταστήστε το νήμα. Επαναφορτίστε την μπαταρία, βλ. επίσης τα περιεχόμενα του εγχειριδίου του φορτιστή. Επικοινωνήστε με τον αντιπρόσωπο σέρβις. Απομακρύνετε το γκαζόν.
Ανάβει συνεχώς η ενδεικτική λυχνία φόρτισης μπαταρίας. Δεν είναι δυνατή η φόρτιση.	Η μπαταρία δεν είναι (σωστά) τοποθετημένη. Οι επαφές της μπαταρίας έχουν μολυνθεί. Η μπαταρία είναι ελαττωματική.	Εισαγάγετε σωστά τη μπαταρία στο φορτιστή. Καθαρίστε τις επαφές της μπαταρίας ή αντικαταστήστε τη μπαταρία. Αντικαταστήστε την μπαταρία.


<p>Η λυχνία ένδειξης φόρτισης της μπαταρίας δεν ανάβει.</p>	<p>Το φινι του φορτιστή δεν είναι (σωστά) συνδεδεμένο. Η πρίζα, το καλώδιο τροφοδοσίας ή ο φορτιστής έχουν πάθει βλάβη.</p>	<p>Εισαγάγετε (πλήρως) το φινι του καλωδίου στην πρίζα στον τοίχο. Ελέγξτε την τάση του ρεύματος. Πηγαίνατε το φορτιστή για έλεγχο σε έναν εξουσιοδοτημένο αντιπρόσωπο σέρβις.</p>
---	---	--

TARTALOMJEGYZÉK

1. TERMÉKBIZTONSÁG
2. AZ ALKATRÉSZEK LISTÁJA
3. MŰSZAKI ADATOK
4. HASZNÁLATI UTASÍTÁSOK
5. KARBANTARTÁS
6. KÖRNYEZETVÉDELEM
7. MEGFELELŐSÉGI NYILATKOZAT
8. HIBAELHÁRÍTÁS

A felhasználók az elektronikus utasításokat a <https://eu.worx.com> weboldalon tekinthetik meg.

1. BIZTONSÁGOS TERMÉKHASZNÁLAT ÁLTALÁNOS FIGYELMEZTETÉSEK

 **FIGYELEM** Olvasson el minden biztonsági figyelmeztetést és valamennyi utasítást. A figyelmeztetések és utasítások figyelmen kívül hatása áramütést, tüzet és/vagy súlyos sérülést eredményezhet. **Őrizzen meg minden figyelmeztetést és utasítást, a jövőben szüksége lehet ezekre.**

A készülék kizárólag a vele együtt szállított táppal használható.

FONTOS HASZNÁLAT ELŐTT

FIGYELMESEN OLVASSA EL ŐRIZZE MEG, KÉSŐBB SZÜKSÉGE LEHET RÁ

A biztonságos működtetés gyakorlata

1. Tájékozódás

- a) figyelmesen olvassa el az utasításokat. Ismerkedjen meg a vezérlőgombokkal, és a készülék megfelelő használatával.
- b) Soha ne engedje meg, hogy a gépet gyermekek, csökkent fizikai, érzékszervi vagy mentális képességű, illetve tapasztalattal nem rendelkező vagy a jelen utasításokat nem ismerő személyek használják; a működtető életkorára vonatkozóan helyi korlátozások lehetnek érvényben.
- c) ne feledje, hogy a készüléküzemeltetője vagy használója felel a másokat ért balesetek vagy az őket ért károk miatt.

2. Előkészítés

- a) Használat előtt mindig alaposan vizsgálja meg, hogy az eszköz nem sérült-e, nem hiányoznak-e róla védőelemek, illetve ezek helyzete megfelelő-e.
- b) Soha ne működtesse a

gépet, ha mások (különösen
gyerekek), esetleg állatok
vannak a közelben.

3. Működtetés

- a) A készülék működtetéséhez viseljen szemvédőt, hosszú nadrágot és erős cipőt.
- b) Ne használja a gépet rossz időjárási viszonyok között, különösen, ha fennáll a villámlás veszélye.
- c) A gépet csak nappal vagy jó mesterséges fény mellett használja.
- d) Sohase üzemeltesse az akkumulátoros fűszegély-nyírót megrongálódott fedéllel vagy biztonsági berendezésekkel, vagy ha ezeket levették a berendezésről.
- e) A motort csak akkor kapcsolja be, amikor a kezek és lábak távol vannak a vágórésztől.
- f) Mindig csatlakoztassa le az áramforrásról a gépet (pl. vegye ki belőle az akkumulátort), ha
 - 1) a gépet felügyelet nélkül hagyja;
 - 2) a beékelődések elhárítása előtt;
 - 3) mielőtt a kerti kismotort ellenőrizné, megtisztítaná, vagy azon valamilyen munkát

végezne;

- 4) egy idegen testtel való ütközés után.;
- 5) ha a gép rendellenes módon rezegni kezd.
- g) Vigyázzon a kezeire és lábaira, hogy a vágórész sérülést ne okozzon.
- h) Mindig gondoskodjon arról, hogy a szellőzőnyílások szabadon maradjanak a fűmaradványoktól.
- i) Ehhez a fűszegély-nyíróhoz sohase használjon fém vágókést.
- j) lejtőn mindig vigyázzon, hogy hova lép.
- k) lépkedjen, sose szaladjon.
- l) Ne nyújtózkodjon, és mindig vigyázzon az egyensúlyára.
- m) Ne érintse meg a mozgó, veszélyes alkatrészeket azelőtt, hogy az akkumulátort kivette volna a gépből, és a mozgó veszélyes alkatrészek teljesen leálltak volna.

4. Karbantartás és tárolás

- a) Karbantartás vagy tisztítás előtt csatlakoztassa le a gépet az áramforrásról (pl, vegye ki belőle az akkumulátort).
- b) Csak a gyártó által javasolt cserealkatrészeket és tartozékokat használja.
- c) Rendszeresen vizsgálja át

és tartsa karban a gépet.

A javítást mindig bízza szakszervizre.

d) Használaton kívül tárolja a gépet gyermekektől távol.

AKKUMULÁTOR BIZTONSÁGA AZ AKKUMULÁTORRAL KAPCSOLATOS BIZTONSÁGI FIGYELMEZTETÉSEK

a) Az akkumulátort ne szedje szét, ne nyissa fel és ne vágja meg.

b) Ne zárja rövidre az akkumulátort. Az akkumulátorokat ne tárolja olyan dobozban vagy fiókban, ahol rövidre zárhatják egymást, vagy valamilyen vezető anyag a rövidzárlatukat okozhatja.

Az akkumulátorokat használaton kívül tartsa a fémtárgyaktól, például gemkapcsoktól, pénzürméktől, kulcsoktól, szögektől, csavaroktól vagy más kis fémtárgyaktól távol, mert ezek összekapcsolhatják a pólusokat. Az akkumulátor pólusainak rövidzárlata égés- és tűzveszélyes.

c) Ne tegye ki hőnek vagy tűznek az akkumulátort.

Ne tárolja közvetlen napfényben.

d) Az akkumulátort ne tegye ki ütésnek.

e) Ha az akkumulátor szivárog, vigyázzon, hogy a folyadék ne kerüljön a bőrre vagy szembe. Amennyiben a bőrre vagy szembe kerül, az érintett területet mossa le bő vízzel, és forduljon orvoshoz.

f) Vigyázzon, hogy az akkumulátor tiszta és száraz maradjon.

g) Ha az akkumulátor pólusaira szennyeződés kerül, azt egy tiszta, száraz ruhával törölje le.

h) Az akkumulátort használat előtt fel kell tölteni. A töltést mindig az utasításoknak megfelelően, helyes eljárást használva végezze.

i) Használaton kívül ne hagyja töltőn az akkumulátort.

j) Hosszan tartó tárolást követően a maximális teljesítmény elérése érdekében szükséges lehet, hogy az akkumulátort többször

feltöltse és lemerítse.

k) Csak a Worx által javasolt töltővel töltsse fel. Kizárólag a készülékhez való használatra mellékelt töltőt használja.

l) Ne használjon a készülékkel való használatra tervezettől eltérő akkumulátort.

m) Az akkumulátor gyermekektől távol tartandó.

n) Őrizze meg a termékhez mellékelt utasításokat, a későbbiekben szüksége lehet ezekre.

o) Amikor a szerszámot nem használja, vegye ki belőle az akkumulátort.

p) Ártalmatlanításnál megfelelően járjon el.

q) Ne helyezzen be különböző gyártóktól származó, illetve eltérő kapacitású, méretű vagy típusú akkukat a készülékbe.

r) Tartsa távol az akkumulátort mikrohullámoktól és nagy nyomástól.

SZIMBÓLUMOK



Olvassa el a kezelői kézikönyvet



A közelben ne álldogáljon senki



Viseljen szem- és fülvédőt



Ne tegye ki esőnek



A leselejtezett elektromos készülékek nem dobhatók ki a háztartási hulladékkal. Ha van a közelben elektromos hulladék gyűjtő udvar, vigye oda a készüléket. Az újrahasznosítási lehetőségekről tájékozódjon a helyi hatóságoknál vagy a kereskedőnél.



Li-Ion





Lítium-ion akkumulátor. A terméken található szimbólum arra utal, hogy minden akkumulátorcsomagot külön kell gyűjteni. Ezeket aztán újrahasznosítják vagy szétszerelik, hogy csökkentsék a környezetre gyakorolt hatását. Az akkumulátorcsomag veszélyes lehet a környezetre és az emberi egészségre nézve, mivel veszélyes anyagokat tartalmaz.



Gondoskodjon arról, hogy az akkumulátort eltávolította az alkatrészek cseréjét megelőzően.



Szélezés

	Ne dobja tűzbe
	Az akkumulátor nem megfelelő leselejtesés esetén bekerülhet a víz körforgásba, ami veszélyes lehet az ökoszisztémára nézve. A hulladék akkumulátort ne dobja a kommunális hulladékba.


2.AZALKATRÉSZEK LISTÁJA

1. AKKUMULÁTOR *
2. AKKU TÖLTÖTTÉG JELZŐ
3. ZÁR GOMB
4. VÁLTOZÓ SEBESSÉGŰ KIOLDÓ
5. ECO GOMB
6. FELSŐ KAR
7. KIEGÉSZÍTŐ KAR
8. ALSÓ SZÁR PÁROSÍTÁS
9. BIZTONSÁGI LAP
10. ZSINÓRVÁGÓ
11. FINOMHANGOLÓ FEJ (ÜTKÖZŐ FEJ)
12. ENGEDJE EL A CÍMKÉT

* Nem minden készülék tartalmazza valamennyi, a fentiekben felsorolt alkatrészt.

3.MŰSZAKI ADATOK

Típus **WG185E WG185E.X** (1-gép megnevezése, Vezeték nélküli fűvágó példánya)

	WG185E WG185E.X **
Feszültség	40 V  MAX (2x20V MAX) ***
Üresjárat fordulatszám	6000/min
Fűnyíró vágási átmérője	38cm
Zsinórátmérő	2.4mm
Vezeték hossza	Max. 4m (Kettős kijárat)

Gép súlya (csupaszz-erszám)	2.87kg
-----------------------------	--------

** X = 1-999, A-Z, M1-M9 csak különféle vásárlókra vonatkozik, ezek között a modellek között nincs biztonsági változás.

*** Terhelés nélküli feszültség. Az akkumulátor kezdő feszültsége maximum 20 volt. A névleges feszültség 18 volt.

JAVASOLT AKKUMULÁTOROK ÉS TÖLTŐK

Kategória	Modell	Mapacitás
20V Akkumuláto	WA3014	4.0Ah
	WA3644	4.0Ah
20V Töltés	WA3883	4.0A

Javasoljuk, hogy kiegészítőket vásároljon az üzletből, ahol az eszközöket értékesítik. További részletek a kiegészítő csomagban találhatóak. Az áruház munkatársai segítséget és tanácsot adhatnak Önnek

ZAJÉRTÉKEK


A-súlyozású hangnyomáásszint	$L_{pA} = 78.4 \text{ dB(A)}$
K_{pA}	3 dB(A)
A-súlyozású hangerő	$L_{WA} = 92.5 \text{ dB(A)}$
K_{WA}	3 dB(A)

Viseljen hallásvédőt. 

REZGÉSÉRTÉKEK

Tipikus súlyozott rezgés	$a_n < 2.5 \text{ m/s}^2$
Bizonytalanság	$K = 1.5 \text{ m/s}^2$

A hivatalos összesített rezgésszint a szerszámok összehasonlítására, illetve a kitétség előzetes felmérésére használható.

 **FIGYELEM:** Az elektromos kéziszerszám használata során a rezgés kibocsátás eltérhet a fenti értéktől attól függően, hogy a szerszámot hogyan használják. Az érték függhet az alábbiaktól: Hogyan használják a szerszámot, milyen anyagokat vágnak vagy fúrnak.

Az eszköz jó állapotban van-e, megfelelően karbantartják-e.
 Megfelelő tartozékokat használnak-e az eszközhöz, vigyáznak-e, hogy éles legyen és jó állapotban maradjon.
 A fogantyú megfelelően rögzül-e, használnak-e rezgéscsillapító tartozékokat.
 A szerszámot rendeltetésszerűen, kialakításának és a jelen utasításoknak megfelelően használják-e.

Ha a szerszámot nem kezelik megfelelően, kéz- kar vibrációs szindrómát okozhat.

FIGYELEM: A pontosság érdekében az expozíciós szint becslést értékehez a valós használati körülmények között figyelembe kell venni a működési ciklus valamennyi elemét, így azt az időt is, amikor a szerszám ki van kapcsolva, és amikor üresjárásban működik. Ez a teljes munkaidőszak viszonylatában jelentősen csökkentheti az expozíciós szintet.

A rezgéscsökátatnak való kitettséget az alábbiakkal csökkentheti:
 MINDIG éles vésőt, pengét, és hegyes fúrófejet használjon.

Az eszközt jelen utasításoknak megfelelően tartsa karban, és vigyázzon a megfelelő kenésre (ahol erre szükség van).

Ha rendszeresen használja az eszközt, vásároljon rezgéscsillapító tartozékokat.

Úgy tervezze meg a munkáját, hogy a magas rezgésszámú eszközök használatát igénylő feladatokat több napra ossza el.

4. ÖSSZESZERELÉS & MŰKÖDÉS

MŰVELET	ÁBRA
ÖSSZESZERELÉS	
A kiegészítő fogantyú összeszerelése	Lásd az A1, A2, A3 ábrát
A csőcsatlakozó eltávolítása MEGJEGYZÉS: A rúd összeszerelése előtt először távolítsa el a gépen lévő csőcsatlakozó védőt.	Lásd az B1 ábrát
Az oszlop összeszerelése	Lásd az B2 ábrát
A Biztonsági Lap Összeszerelése Helyezze a fém tartót a biztonsági védő nyílásába, majd rögzítse a helyére a csavarokkal és egy hatkulccsal.	Lásd az C ábrát

Az Akkumulátor Eltávolítása Vagy Behelyezése

MEGJEGYZÉS:

- Ez a fűnyírógép csak mindkét akku beszerelése után működik. Kérjük, hogy mindig ugyanazt a két akkut használja, és hogy mindig egyidőben tölts fel őket.
- Ha két akkumulátort különböző amperórákban vagy töltöttségi szintekben használ, a gép a legkisebb közös nevezővel fog működni.
- A jobb teljesítmény és hosszabb üzemidő érdekében ajánlott egy 4.0Ah vagy annál nagyobb akkumulátorcsomag.

Lásd az D1, D2 ábrát

Akku töltöttségi állapot ellenőrzés
MEGJEGYZÉS: A D3 ábra csak az akku feltöltöttségi szintjét is jelző akkucsomagra vonatkozik.

Lásd az D3 ábrát

Az akkumulátor feltöltése

MEGJEGYZÉS:

- A csomagolásban található elem töltetlen állapotú. Az első fűnyírás előtt az akkut teljesen fel kell tölteni.
- A két akkut mindig egyidőben és teljesen tölts fel. További részletek a töltő használati útmutatójában.

Lásd az D4 ábrát

Akku töltöttségi állapot jelző a fűnyírón
Lásd a részleteket az AKKU ÁLLAPOTA című fejezetben

Lásd az D5 ábrát

MŰKÖDÉS

Kezdődik

- FIGYELEM!** A vágófej a kikapcsolást követően tovább forog; várja meg, amíg teljesen leáll, és csak ekkor tegye le a szerszámot.
 Először nyomja meg a reteszelő gombot, majd nyomja meg a kapcsolót az indításhoz.

Lásd az E ábrát

ECO sebesség
A futási idő meghosszabbításához nyomja meg az ECO gombot és kapcsolja be a ravaszt, és a gép alacsony sebességgel fog futni.

Lásd az F ábrát

Szélezés

Lásd az G ábrát

Egyetlen takarmány	Lásd az H ábrát
A trimmerfej összeszerelése és szétszerelése Helyezze be a hatszögletű csavarkulcsot a lyukba, és forgassa el a trimmerfejet, amíg le nem záródik. Ezután vegye le az óramutató járásával ellentétes irányba forgatva, majd szerelje össze az óramutató járásával megegyező irányba forgatva.	Lásd az I ábrát
Tekerje le a trimmer vonalát 1. lépés: Vegye ki az akkumulátort a vágógépből. 2. lépés: Forgassa el a vágófejet a nyíl irányába, hogy összhangba kerüljön a kis hurokkal. 3. lépés: Helyezze be a zsinórt az hurokba (J2) és tolja a zsinórt addig, amíg a zsinór vége ki nem jön a másik hurokból. 4. lépés: Húzza meg a zsinórt a másik oldalról, amíg mindkét oldalon azonos hosszúságú zsinór jelenik meg a vágófejen (legfeljebb 2 méter mindkét oldalon). 5. lépés: Forgassa el a fejet a zsinór betöltéséhez. JEGYZET: Az orsót fel kell tekerni, miközben a trimmerfej belsejében van. Az orsót nem szabad menettel tekericselni, majd behelyezni a vágófejbe.	Lásd az J1,J2,J3 ábrát

AKKUMULÁTOR ÁLLAPOTJELZŐ LED-JE (Lásd az D5 ábrát)

Az akku feltöltöttségi szintjének ellenőrzése végett, nyomja meg az akku feltöltöttségiszintjét jelző lámpa mellett található gombot a gép elindítása előtt vagy a gép használata után. A gép használata közben az akkucsomag feltöltöttségi szintje automatikusan megjelenik az akku feltöltöttségi állapotát jelző lámpán.

A jelzőlámpa folyamatosan érzékeli, és u-csak folyamatosan jelzi ki az akkucsomag feltöltöttségi állapotát.

Azoknál a gépeknél, amelyek akkucsomagja két eltérő feltöltöttségi szintű akkut tartalmaz, az akku feltöltöttségi állapotát jelző lámpa az alacsonyabb feltöltöttségi szinttel rendelkező akku állapotát fogja jelezni.

Az akkumulátor feltöltöttségi szintjét jelző mutató	Az akku állapota
Mind az öt zöld fényű LED ég (■ ■ ■ ■ ■).	Mindkét akku nagyon fel van töltve.
Két, három vagy négy zöld fényű LED ég.	A két akkuban még elegendő energia van. Minél több LED ég, az akkuk annál jobban fel vannak töltve.
Csak egy zöld fényű LED ég (■ □ □ □ □).	Minimum egy akku le van merülve, és fel kell tölteni.
Egyetlen zöld fényű LED sem ég.	Minimum egy akku nincs megfelelően behelyezve vagy valamelyik akku hibás.
Az egyik LED kétszer villog egy ciklus alatt.	Minimum egy akku teljesen lemerült (kérjük, hivatkozzon az akku feltöltöttségi állapota című fejezetre), ezért kérjük, hogy használat vagy tárolás előtt mindkét akkut egyszerre töltsse fel.
Az egyik LED háromszor villog egy ciklus alatt.	Használat közben minimum egy akku felhevült, ezért várja meg a lehűlését/lehűlésüket, mielőtt ismét folytatná a munkát.
Az egyik LED négyszer villog egy ciklus alatt.	A gép túlterhelt. Húzza el a gépet a vágási övezetből, majd próbálkozzon újra.

123

HASZNÁLATI UTASÍTÁSOK



FIGYELEM! A töltőt és az akkumulátort kifejezetten egymáshoz tervezték, ezért ne próbálkozzon más eszközzel használniával. Soha ne helyezzen fémtárgyakat a töltőbe vagy az akkumulátorba, és ne engedje, hogy azokba fémtárgyak jussanak, mivel ez elektromos meghibásodáshoz vezet, és veszélyes.

1. Bump line etetési rendszer (Lásd az H ábrát)

A trimmer puffer vonal rendszerrel van felszerelve. Amikor megérinti a trimmer fejt, miközben a gép fut, az új vonal kerül kiadásra.

2. Tekerje le a trimmer vonalát (WA0201)

(Lásd az J1,J2 ábrát)

Hajtsa át a cserevezetékét a lyukon, és táplálja a másik oldaláról. Ügyeljen arra, hogy a húzal mindkét vége

simá legyen a vágófej végén (ajánlott 2 m), majd vágja le a huzalt. Forgassa el a tárcsát az óramutató járásával megegyező irányban, hogy a menetet az orsón tekersejje, amíg 19 cm-es balra és jobbra nincs.

A SZEGÉLYVÁGÓ TÁROLÁSA



Használat után mindig vegye ki az akkumulátort a szegélyvágóból.

A Fűnyírógép tárolása

A fűnyírógépet fali felaggatásra és fali tárolásra szolgáló nyílással is ellátták. (Lásd az K ábrát) Olyan száraz helyen tárolja a gépet, ahol a fűnyírógép és akkuja védett a károsodás ellen.

5.KARBANTARTÁS



Használat után mindig vegye ki az akkumulátort a szegélyvágóból.

Használat előtt mindig ellenőrizze, hogy a szerszám nem sérült-e.

Használat után mindig vegye ki az akkumulátort a szegélyvágóból.

Az elektromos kéziszerszámot nem szükséges megkenni vagy karbantartani. A szerszám nem tartalmaz a felhasználó által javítható alkatrészeket. Soha ne használjon vizet vagy vegyi tisztítószereket a szerszám tisztításához. Törölje tisztára egy száraz ronggyal. A szerszámot mindig száraz helyen tárolja. Tartsa tisztán a motor szellőzőnyílásait. Minden szabályozóeszközt tartson pormentesen.

6.KÖRNYEZETVÉDELEM



A leselejtezett elektromos készülékek nem dobhatók ki a háztartási hulladékkal. Ha van a közelben elektromos hulladék gyűjtő udvar, vigye oda a készüléket. Az újrahasznosítási lehetőségekről tájékozódjon a helyi hatóságoknál vagy a kereskedőnél

7.MEGFELELŐSÉGI NYILATKOZAT

A gyártó,
Positec Germany GmbH
Postfach 32 02 16, 50796 Cologne, Germany

Kijelenti, hogy a termék
Leírás **Akkumulátoros szegélynyíró**
Típus **WG185E WG185E.X (1-gép megnevezése, Vezeték nélküli fűvágó példány)**
Rendeltetés **Fűnyírás és más hasonlóan puha növények nyírása, füves területek szélének a**

nyírása

Megfelel a következő irányelveknek,
2006/42/EC, 2014/30/EU, 2011/65/EU&(EU)2015/863, 2000/14/EC módosítva: 2005/88/EC

2000/14/EC módosítva: 2005/88/EC:

- Megfelelőség-ellenőrző eljárás a **VI függelék értelmében**

- Mért hangerő-szint **92.5 dB (A)**

- Garantált hangerő-szint **96 dB (A)**

Tanúsítási szervezet

Név: Intertek Deutschland GmbH (notifiziert Stelle 0905)

Cím: : Stangenstraße 1, 70771 LEINFELDEN-ECHTERDINGEN

Az alábbi normáknak:

EN 60335-1, EN 50636-2-91, EN 62233, EN ISO 3744, EN IEC 55014-1, EN IEC 55014-2, EN IEC 63000

A műszaki dokumentáció összeállítására jogosult személy:

Név: Marcel Filz

Cím: Positec Germany GmbH

Postfach 32 02 16, 50796 Cologne, Germany



2023/09/12

Allen Ding

Helyettes főmérnöke, Tesztelés és minősítés
Positec Technology (China) Co., Ltd
18, Dongwang Road, Suzhou Industrial Park, Jiangsu 215123, P. R. China

8.HIBAKERESÉS

A következő táblázatban a hibatünetek, azok lehetséges okai és elhárításuk módja található, olyan esetekre, amikor a kerti kisgépet nem működik kifogástalanul.



FIGYELEM: A hibakeresés előtt kapcsolja ki a kerti kisgépet és vegye ki belőle az akkumulátort.

Tünetek	Lehetséges ok	Elhárítás módja
A szegélyvágó nem működik.	Az akkumulátor lemerült. Az akkumulátor túl forró/túl hideg. A motor megsérült. A szerszám belső vezetékézése megsérült.	Töltse fel az akkumulátort; olvassa el a töltő kézikönyvében leírtakat is Várja meg, amíg lehűl/felmelegszik. Vegye fel a kapcsolatot a szervizzel. Vegye fel a kapcsolatot a szervizzel.
A szegélyvágó működése szakadozik.	A motor megsérült. Az akkumulátor nincs teljesen feltöltve. A ki-/bekapcsoló gomb nem működik megfelelően.	Vegye fel a kapcsolatot a szervizzel. Töltse fel az akkumulátort. Vegye fel a kapcsolatot a szervizzel.
Túl erős a rezgés/zaj.	A szerszám meghibásodott. A zsinórtekerccs nincs megfelelően tekerelve.	Vegye fel a kapcsolatot a szervizzel. Tekercselje újra a zsinórt. Lásd "A tekerccs és zsinór beillesztése" című részt.
Egy töltéssel túl rövid ideig használható a szerszám.	Az akkumulátort hosszú ideje nem használta, vagy csak rövid ideig töltötte. Túl magas a fű. Az akkumulátor meghibásodott.	Töltse fel teljesen az akkumulátort; lásd a töltő kézikönyvében leírtakat is Szakaszosan vágja a fűvet. Cserélje ki az akkumulátort.
A szerszám nem vág.	Elszakadt a zsinór. Az akkumulátor nincs teljesen feltöltve. A motor megsérült (túl alacsony a sebesség). A fű felgyülemlt a vágófej körül.	Cserélje ki a zsinórt. Töltse fel az akkumulátort; olvassa el a töltő kézikönyvében leírtakat is Vegye fel a kapcsolatot a szervizzel. Vegye ki a fűvet.
Az akkumulátor töltésjelzője folyamatosan világít Az akkumulátor nem töltődik.	Az akkumulátor nincs (megfelelően) behelyezve. Az akkumulátor pólusain szennyeződés található. Az akkumulátor meghibásodott.	Helyezze be megfelelően az akkumulátort a töltőbe. Tisztítsa meg az akkumulátor pólusait (pl. úgy, hogy többször behelyezi, majd kivieszi az akkumulátort), vagy cserélje ki az akkumulátort. Cserélje ki az akkumulátort.
Az akkumulátortöltő jelzőfénye nem világít.	Az akkumulátortöltő dugója nincs (megfelelően) behelyezve. Az aljzat, az áramvezeték vagy az akkumulátortöltő sérült.	Helyezze be (teljesen) a dugót az aljzatba Ellenőrizze a feszültséget; ellenőriztesse az akkumulátortöltőt egy szakszervizzel.

CUPRINS

1. SECURITATEA PRODUSULUI
2. LISTĂ DE COMPONENTE
3. DATE TEHNICE
4. INSTRUCȚIUNI DE UTILIZARE
5. ÎNTREȚINERE
6. PROTECȚIA MEDIULUI
7. DECLARAȚIE DE CONFORMITATE
8. SOLUȚII LA PROBLEME

Utilizatorii pot vizualiza instrucțiunile în format electronic la <https://eu.worx.com>.

1. SECURITATEA PRODUSULUI AVERTISMENTE GENERALE DE SIGURANȚĂ



AVERTISMENT Citiți toate avertismentele de siguranță și toate instrucțiunile. În caz de

nerespectare a avertismentelor și instrucțiunilor, există riscul electrocutării, izbucnirii incendiilor și/sau al accidentării grave.

Păstrați toate avertismentele și instrucțiunile pentru consultări ulterioare.

Această instalație poate fi utilizată doar cu unitatea de alimentare care a fost livrată cu această instalație.

IMPORTANT

CITIȚI CU ATENȚIE ÎNAINTE DE UTILIZARE PĂSTRAȚI PENTRU CONSULTĂRI ULTERIOARE

Practici de utilizare în siguranță

1. Instruirea

- a) Citiți cu atenție instrucțiunile. Familiarizați-vă cu comenzile și cu utilizarea corectă a echipamentului.
- b) Nu permiteți niciodată copiilor sau persoanelor cu capacități fizice, senzoriale sau mentale mai reduse, respectiv celor lipsiți de experiență și de cunoștințe necesare și nici oamenilor nefamiliarizați cu aceste instrucțiuni să utilizeze mașina. Reglementările locale pot îngădi și vârsta operatorului.
- c) Rețineți că operatorul sau utilizatorul este responsabil pentru accidente sau pericolele care implică alte persoane sau proprietatea acestora.

2. Pregătirea

- a) Înainte de utilizare inspectați întotdeauna vizual mașina pentru a descoperi apărători deteriorate, lipsă sau amplasate greșit.

- b) Nu utilizați mașina dacă în apropierea lui se află diferite persoane (mai ales copii) sau animale.

3. Funcționarea

- a) Purtați întotdeauna ochelari de protecție, pantaloni lungi și încălțăminte rezistentă atunci când utilizați mașina.
- b) Evitați utilizarea mașinii în condiții meteo nefavorabile, mai ales atunci când există riscul unor fulgere.
- c) Utilizați mașina ziua sau în lumină artificială corespunzătoare.
- d) Niciodată nu operați mașina cu apărătorii stricate sau fără apărători.
- e) Porniți motorul numai atunci când mâinile și picioarele dvs. se află la distanță sigură de elementele de tăiere.
- f) Deconectați întotdeauna mașina de la alimentarea electrică dacă (de ex.: scoaterea acumulatorului din mașină)
- 1) mașina rămâne nesupravegheată;
 - 2) înainte de eliberarea unui blocaj;
 - 3) înainte de a controla, curăța sau lucra cu mașina;
 - 4) după ce ați lovit un obiect

străin;

- 5) dacă mașina începe să vibreze anormal.
- g) Feriți-vă mâinile și picioarele de elementele tăietoare.
- h) Asigurați-vă întotdeauna că deschizăturile de ventilație sunt ținute curate de resturi;
- i) Nu potriviți niciodată elemente de tăiere din metal.
- j) Acordați întotdeauna atenție atunci când vă deplasați pe suprafețe înclinate.
- k) Mergeți, nu alergați niciodată.
- l) Nu vă întindeți peste măsură cu mașina și păstrați-vă echilibrul întotdeauna.
- m) Nu atingeți piesele periculoase aflate în mișcare înainte de a scoate acumulatorul și înainte ca acestea să se oprească complet.

4. Întreținerea și depozitarea

- a) Opriti alimentarea electrică a mașinii (de ex.: scoateți acumulatorul din mașină) înainte de a efectua vreo operațiune de întreținere sau curățare a mașinii.
- b) Utilizați exclusiv piesele de schimb și accesoriile recomandate de fabricantul mașinii.
- c) Inspectați și întrețineți mașina

în mod regulat. Reparați mașina doar cu ajutorul service-ului autorizat.

- d) Dacă nu este utilizată, păstrați mașina într-un loc ferit de accesul copiilor.

SIGURANȚA BATERIEI AVERTISMENTE PRIVIND SIGURANȚA PENTRU ACCUMULATOR

- a) **Nu demontați, deschideți sau rupeți celulele sau acumulatorul.**

- b) **Nu scurtcircuitați un acumulator. Nu depozitați acumulatorii la întâmplare într-o cutie sau într-un sertar unde s-ar putea scurtcircuita între ele sau prin materiale conductoare.** Când acumulatorul nu este utilizat, țineți-l la distanță de alte obiecte metalice, precum agrafele de birou, monede, chei, cuie, șuruburi sau alte obiecte metalice mici, care pot crea contact între cele două borne. Scurtcircuitarea bornelor acumulatorului poate cauza arsuri sau incendii.

- c) **Nu expuneți acumulatorul la căldură sau foc. Evitați depozitarea în lumina**

directă a soarelui.

- d) **Nu supuneți acumulatorul la șocuri mecanice.**

- e) **În cazul scurgerii acumulatorului, aveți grijă ca lichidul să nu intre în contact cu pielea sau ochii. În cazul contactului, spălați zona afectată cu apă din belșug și solicitați asistență medicală.**

- f) **Mențineți acumulatorul curat și uscat.**

- g) **Ștergeți bornele acumulatorului cu o cârpă curată și uscată dacă se murdăresc.**

- h) **Acumulatorul trebuie încărcat înainte de utilizare. Consultați întotdeauna aceste instrucțiuni și utilizați procedura de încărcare corectă.**

- i) **Nu lăsați acumulatorul la încărcat dacă nu îl utilizați.**

- j) **După perioade extinse de depozitare, poate fi necesară încărcarea și descărcarea acumulatorului de mai multe ori pentru a obține performanțe maxime.**

- k) **Reîncărcați folosind doar încărcătorul specificat de**

Worx. Nu utilizați niciun alt încărcător în afară de cel conceput specific pentru utilizarea cu acest echipament.

l) Nu utilizați acumulatori care nu sunt concepute pentru utilizarea cu acest echipament.

m) Nu lăsați acumulatorul la îndemâna copiilor.

n) Păstrați documentația originală a produsului pentru consultări ulterioare.



o) Scoateți acumulatorul din echipament dacă nu îl utilizați.

p) Depuneți acumulatorul la deșeurile în mod corespunzător.

q) Nu introduceți în aparat acumulatori care provin de la producători diferiți sau cu capacități, dimensiuni sau tipuri diferite.

r) Țineți acumulatorul departe de microunde și presiune ridicată.

SIMBOLURI

	Citiți manualul de utilizare
	Instruiți persoanele aflate în zonă să păstreze distanța.
	Protejați-vă vederea și auzul
	Ferțiți mașina de ploaie
	Produsele electrice nu trebuie depuse la deșeurile împreună cu gunoiul menajer. Vă rugăm să depuneți produsele electrice la unitățile de reciclare existente. Consultați-vă cu autoritățile locale sau cu distribuitorul pentru sfaturi privind reciclarea.
	Baterie Li-Ion. Acest produs a fost marcat cu simbolul referitor la 'colectarea separată' a tuturor blocurilor de baterii și a carcasi de baterie. Acestea vor fi apoi reciclate sau demontate pentru a se reduce impactul asupra mediului. Blocurile de baterii pot fi periculoase pentru mediu și sănătatea umană pentru că ele conțin substanțe periculoase.
	Asigurați-vă că acumulatorul este scos înaintea schimbării accesoriilor.
	Tundere
	Nu ardeți



Bateriile pot intra în circuitul apei, dacă sunt lichidate incorect, fapt ce poate fi periculos pentru ecosistem. Nu lichidați deșeurile de baterii la fel ca deșeurii comunale nesortate.

Greutate uneltă
(Instrument
scump)

2.87kg

** X = 1-999, A-Z, M1-M9 sunt destinate doar clienților diferiți, nu există modificări legate de siguranță între aceste modele.

*** Tensiune măsurată în gol. Tensiunea inițială a bateriei atinge maximum 20 volți. Tensiunea nominală este de 18 volți.

2.LISTA DE COMPONENTE

1. ACUMULATOR *
2. INDICATOR NIVEL DE ÎNCĂRCARE ACUMULATOR
3. BUTON DE BLOCARE
4. TRĂGACI PENTRU VITEZĂ VARIABILĂ
5. BUTON BUTONUL
6. ARBORE SUPERIOR
7. MÂNER AUXILIAR
8. CUPLAJ ARBORE INFERIOR
9. DISPOZITIV DE PROTECȚIE
10. FREZĂ LINIARĂ
11. CAP DE REGLARE FINĂ (CAPUL CU BONT)
12. ETICHETA DE LANSARE

* Nu toate accesoriile ilustrate sau descrise sunt incluse în livrarea standard.

3.DATE TEHNICE

Tip **WG183E WG183E.9 (1- denumirea aparatului, reprezentantă pentru mașina de tuns iarba fără fir)**

	WG185E WG185E.X **
Tensiune	40 V --- MAX (2x20V MAX) ***
Turație nominală la mers în gol	6000/min
Diametrul de tăiere a mașinii de tuns iarba	38cm
Diametru linie	2.4mm
Lungimea firului	Recomandat 4m (leșire dublă)

BATERII ȘI ÎNCĂRCĂTOARE SUGERATE

Categorie	Modele	Capacitate
20V Acumulator	WA3014	4.0Ah
	WA3644	4.0Ah
20V Încărcător	WA3883	4.0A

Vă recomandăm să achiziționați accesoriile din magazinul în care sunt vândute instrumentele. Consultați pachetul accesoriu pentru mai multe detalii. Personalul magazinului vă poate ajuta și consilia.

INFORMAȚII PRIVIND ZGOMOTUL

Presiune sonoră ponderată A $L_{pA} = 78.4$ dB(A)

K_{pA} 3 dB(A)

Putere sonoră ponderată A $L_{WA} = 92.5$ dB(A)

K_{WA} 3 dB(A)

Purtați echipament de protecție pentru urechi.



INFORMAȚII PRIVIND VIBRAȚIILE

Vibrație ponderată tipică $a_n < 2.5$ m/s²

Marjă de eroare $K = 1.5$ m/s²

Valoarea totală declarată a vibrațiilor poate fi utilizată pentru compararea unei unelte cu o alta și, de asemenea, poate fi utilizată în cazul unei evaluări preliminare a expunerii.

AVERTISMENT: Valoarea emisiilor de vibrații în timpul utilizării efective a unelei electrice poate diferi de valoarea nivelului declarat, în funcție de modul în care unealta este utilizată, în funcție de următoarele exemple și alte variații privind utilizarea unelei: Modul în care este utilizată unealta și materialele tăiate sau găurite.

Unealta să fie într-o stare bună și întreținută corespunzător.

Utilizarea accesoriului corect pentru unealtă, fiind ascuțit și în bună stare de funcționare.

Strângerea cu fermitate a mânerelor și utilizarea oricăror accesorii anti-vibrații.

Iar unealta este utilizată conform destinației de utilizare și acestor instrucțiuni.

Această unealtă poate cauza sindromul vibrației mâinii-brațului dacă nu este utilizată corespunzător.

AVERTISMENT: Pentru precizie, o estimare a nivelului de expunere în condițiile de utilizare reale trebuie de asemenea să țină cont de toate componentele ciclului de operare, precum momentele când unealta este oprită și când merge în gol, dar nu efectuează operația propriu-zisă. Acest lucru ar putea reduce semnificativ nivelul de expunere pe durata totală de lucru.

Ajută la reducerea riscului de expunere la vibrații. Utilizați ÎNTOTDEAUNA dălți, burghie și lame ascuțite. Întrețineți unealta în conformitate cu aceste instrucțiuni și mențineți-o bine lubrifiată (dacă este cazul).

Dacă unealta va fi utilizată în mod regulat, investiți în accesorii anti-vibrații.

Planificați-vă lucrul pentru a desfășura utilizarea uneltelor cu nivel ridicat de vibrații de-a lungul mai multor zile.

4.ASAMBLARE & OPERARE

ACȚIUNE	FIGURA
ASAMBLARE	
Asamblarea mânerului auxiliar	Consultați Fig. A1,A2,A3
Demontarea mufei tubulare NOTĂ: Înainte de a monta tija de extindere, demontați mai întâi protecția mufei tubulare de pe mașină.	Consultați Fig. B1
Asamblarea stâlpului	Consultați Fig. B2

Asamblarea Apărătorii
Introduceți suportul metalic în fanta gârzii de siguranță, apoi fixați protecția de siguranță în loc cu ajutorul șuruburilor și a unei chei hexagonale.

Consultați Fig. C

Pentru A Demonta Sau Monta Acumulatorul

NOTĂ:

• **Această mașină de tuns iarba funcționează numai dacă ambele acumulateoare sunt instalate. Vă rugăm să utilizați întotdeauna aceleași acumulateoare și să le încărcați simultan.**

• **Când utilizați două baterii cu amperi-ore diferite sau niveluri de încărcare, aparatul va rula cu cel mai mic numitor comun.**

• **Un pachet de baterii de 4.0Ah sau mai mare este recomandat pentru o performanță mai bună și un timp de rulare mai lung.**

Consultați Fig. D1, D2

Verificarea stării de încărcare a acumulatorului

NOTĂ: Fig. D3 se referă numai la acel pachet de acumulateoare care are și indicator luminos al nivelului de încărcare.

Consultați Fig. D3

Încărcarea acumulatorului

NOTĂ:

• Acumulatorul este livrat neîncărcat. Acumulatorul trebuie încărcat complet înainte de prima operație de tundere a ierbii.

• Încărcați complet și simultan cele două acumulateoare ale mașinii. Mai multe detalii în ghidul de utilizare al încărcătorului.

Consultați Fig. D4

Indicator de capacitate acumulator pe mașină
Vezi detalii în paragraful: STAREA ACUMULATORULUI

Consultați Fig. D5

OPERAȚIUNE

începe

AVERTISMENT! Capul de tăiere continuă să se rotească după ce mașina de tuns a fost oprită, așteptați până când se oprește apoi lăsați jos aparatul. Mai întâi apăsați butonul de blocare, apoi apăsați declanșatorul pentru a porni mașina.

Consultați Fig. E

ECO Viteză Pentru a prelungi timpul de rulare, apăsați butonul ECO și comutați declanșatorul, iar aparatul va rula cu viteză mică.	Consultați Fig. F
Tundere	Consultați Fig.G
Furaje neuniforma	Consultați Fig. H
Asamblarea și demontarea capului de tuns Introduceți o cheie hexagonală în orificiu și rotiți capul de tuns până se oprește în poziția blocată. Apoi, scoateți-l rotind-o în sens invers acelor de ceasornic, apoi asamblați-l rotind-o în sensul acelor de ceasornic.	Consultați Fig. I
Trimmer de înfășurare Pasul 1: Scoateți acumulatorul din trimmer. Pasul 2: Rotiți capul trimmerului în direcția săgeții, astfel încât să se alinieze cu ochiul. Pasul 3: Introduceți firul în ochiul (J2) și împingeți firul până când capătul firului iese din ochiul opus. Pasul 4: Trageți firul de cealaltă parte până când lungimi egale de fir apar pe ambele părți ale capului trimmerului (nu mai mult de 2 metri pe fiecare parte). Pasul 5: Rotiți capul pentru a încărca firul. NOTĂ: Bobina trebuie înfășurată în interiorul capului de tuns. Bobina nu trebuie înfășurată cu fir și apoi instalată în capul de tuns.	Consultați Fig. J1,J2,J3

INDICATOARELE LED DE STARE ALE BATERIEI (Consultați Fig. D5)

Dacă doriți să aflați nivelul de încărcare al pachetului de acumuloare, apăsați butonul de lângă indicatorul luminos al nivelului de încărcare al pachetului de acumuloare înainte de utilizarea sau după utilizarea mașinii. În timpul utilizării mașinii, indicatorul luminos al nivelului de încărcare al pachetului de acumuloare va indica automat nivelul de încărcare al acestuia.

Indicatorul luminos detectează și indică în mod constant starea pachetului de acumuloare. La mașinile care conțin un pachet de acumuloare în care puterea celor două acumuloare include diferă, indicatorul luminos al nivelului de încărcare indică nivelul de încărcare al acumulatorului cu nivelul de încărcare mai scăzut.

Indicatorul stării de încărcare a acumulatorului	Starea acumulatorului
Ard cinci LED-uri verzi (■ ■ ■ ■ ■).	Cele două acumuloare sunt încărcate foarte bine.
Ard două, trei sau patru LED-uri verzi.	Există energie în cele două acumuloare. Cu cât ard mai multe LED-uri verzi, acumuloarele dețin cu atât mai multă energie.
Doar un singur LED verde este aprins (■ □ □ □ □).	Cel puțin un acumulator este descărcat și trebuie reîncărcat.
Nu arde niciun LED.	Cel puțin un acumulator este instalat greșit sau este defect.
Doar un singur LED pâlpâie de două ori într-un ciclu.	Cel puțin un acumulator este complet descărcat (vă rugăm să vă referiți la paragraful care descrie starea de încărcare a acumulatorului). Vă rugăm să reîncărcați simultan cele două acumuloare înainte de o nouă utilizare a mașinii sau înainte de stocarea ei.
Doar un singur LED pâlpâie de trei ori într-un ciclu.	Cel puțin un acumulator s-a supraîncălzit, așteptați răcirea lui/lor înainte de a reîncepe munca.
Doar un singur LED pâlpâie de patru ori într-un ciclu.	Mașina este suprasolicitată. Îndepărtați unealta de locul tăierii, după care încercați din nou.

INSTRUCȚIUNI DE UTILIZARE



AVERTISMENT! Încărcătorul și acumulatorul sunt concepute special pentru a lucra împreună, astfel că nu încercați să utilizați orice alt dispozitiv. Nu introduceți sau nu permiteți niciodată pătrunderea obiectelor metalice în conectorii încărcătorului și ai acumulatorului întrucât pot apărea o întrerupere a curentului și pericol.

1. Sistem de alimentare a liniei de protecție (Consultați Fig. H)

Trimmerul este echipat cu un sistem de linii tampon. Ori de câte ori atingeți capul tăietorului în timp ce utilajul funcționează, noua linie este emisă.

2. Trimmer de înfășurare (WA0201)

(Consultați Fig. J1,J2)

Treceți linia de înlocuire prin ochi și alimentați-o din cealaltă parte. Asigurați-vă că ambele capete ale sârmei sunt plane la capetele capului de tundere (recomandat 2 m), apoi tăiați firul. Rotiți cadranul în sensul acelor de ceasornic pentru a înfila firul pe bobină până când sunt 19 cm la stânga și la dreapta.

DEPOZITAREA MOTOCOSITORII PENTRU IARBĂ



Scoateți întotdeauna acumulatorul din motocositoare după utilizare.

Păstrarea mașinii dvs. de tuns IARBA

Mașina de tuns iarba a fost prevăzută cu o gaură de agățare a mașinii pe perete. (Consultați Fig. K)

Păstrați mașina într-un loc uscat în care aceasta și acumulatorul ei sunt protejate împotriva deteriorării.

5. ÎNTREȚINEREA



Scoateți întotdeauna acumulatorul din motocositoare după utilizare.

Verificați întotdeauna produsul înainte de utilizare, pentru identificarea eventualelor deteriorări.

Scoateți fișa din priză înainte de efectuarea oricărei reglări, lucrări de servizare sau întreținere. Scula nu necesită gresare sau întreținere suplimentară. Nu există piese care pot fi depanate de utilizator în sculă. Nu utilizați niciodată apă sau agenți de curățare chimici pentru curățarea sculei. Ștergeți cu o cârpă uscată. Depozitați întotdeauna scula într-un loc uscat. Mențineți fantele de ventilație a motorului curate. Feriți de praf toate comenzile de lucru.

6. PROTECȚIA MEDIULUI ÎNCONJURĂTOR



Deșeurile produselor electrice nu se vor arunca împreună cu deșeurile menajere. Reciclați

acolo unde există instalații de reciclare. Consultați autoritățile locale sau vânzătorul pentru recomandări privind reciclarea.

7. DECLARAȚIE DE CONFORMITATE

Noi,
Positec Germany GmbH
Postfach 32 02 16, 50796 Cologne, Germany

Declarăm că produsul,

Descriere **Mașină de tuns iarba fără fir**

Tip **WG185E WG185E.X (1- denumirea aparatului, reprezentantă pentru mașina de tuns iarba fără fir)**
Funcție **cosirea ierbii și a vegetației moi similare și pentru tunderea marginilor suprafețelor ierboase**

Este conform cu următoarele Directive,
2006/42/EC, 2014/30/EU, 2011/65/EU&(EU)2015/863, 2000/14/EC modificată prin 2005/88/EC

2000/14/EC modificată prin 2005/88/EC:

- Procedură de evaluare a conformității conformă cu

Anexa VI

- Nivel de putere sonoră măsurat **92.5 dB (A)**

- Nivel de putere sonoră garantat declarat **96 dB (A)**

Organismul notificat implicat

Nume: Intertek Deutschland GmbH (notificateze Stelle 0905)

Adresa: Stangenstraße 1, 70771 LEINFELDEN-ECHTERDINGEN

Standardele sunt conforme cu,

EN 60335-1, EN 50636-2-91, EN 62233,

EN ISO 3744, EN IEC 55014-1, EN IEC 55014-2,

EN IEC 63000

Persoana autorizată să compileze fișierul tehnic,

Denumire Marcel Filz

Adresă Positec Germany GmbH

Postfach 32 02 16, 50796 Cologne, Germany



2023/09/12

Allen Ding

Adjunct Inginer șef, Testare și certificare

Positec Technology (China) Co., Ltd

18, Dongwang Road, Suzhou Industrial

Park, Jiangsu 215123, P. R. China

8.DETECTAREA DEFECȚIUNILOR

Următorul tabel prezintă simptomele defecțiunilor, cauzele posibile precum și soluția corectă de remediere a acestora, dacă vreodată scula dumneavoastră electrică de grădină nu funcționează impecabil.



ATENȚIE: înainte de a trece la detectarea defecțiunilor, opriți scula electrică de grădină și extrageți acumulatorul din aceasta.

Simptome	Cauză posibilă	Remediere
Motocositoarea nu funcționează.	Acumulator descărcat. Acumulator prea fierbinte/rece. Motorul este defect. Cablu interior al unelei este deteriorat.	Reîncărcați acumulatorul; de asemenea, consultați manualul încărcătorului Permiteți răcirea/încălzirea. Contactați agentul de service. Contactați agentul de service.
Motocositoarea funcționează intermitent.	Motorul este defect. Acumulatorul nu este încărcat complet. Înterupător on/off (pornire/oprire) defect.	Contactați agentul de service. Reîncărcați acumulatorul. Contactați agentul de service.
Vibrații/zgomote excesive.	Unealtă defectă. Linia nu este înfășurată corect pe bobină.	Contactați agentul de service. Reînfașurați linia. Consultați „Montarea ansamblului de bobină și linie de tăiere”.
Durata de tăiere per acumulator încărcat este prea scurtă.	Acumulatorul nu a fost utilizat pentru o perioadă mai lungă de timp sau nu a fost încărcat suficient. Iarbă prea înaltă. Acumulator defect.	Încărcați complet acumulatorul; de asemenea, consultați manualul încărcătorului Tăiați în trepte. Înlocuiți acumulatorul.
Unealta nu taie.	Linie de tăiere defectă. Acumulatorul nu este încărcat complet. Motorul este defect (turație prea redusă). Iarbă adunată în jurul capului de tăiere.	Înlocuiți linia de tăiere. Reîncărcați acumulatorul; de asemenea, consultați manualul încărcătorului Contactați agentul de service. Îndepărtați iarba.
Iluminare continuă a indicatorului de încărcare acumulator Nu este posibilă încărcarea.	Acumulatorul nu este introdus (corect). Contactele acumulatorului sunt murdare. Acumulator defect.	Introduceți corect acumulatorul în încărcătorul de acumulator. Curățați contactele acumulatorului (de exemplu, prin introducerea și scoaterea acumulatorului de mai multe ori) sau înlocuiți acumulatorul. Înlocuiți acumulatorul.
Indicatorul de încărcare acumulator nu se aprinde.	Fișa de alimentare a încărcătorului nu este conectată (corect). Priza de alimentare, cablu de alimentare sau încărcătorul acumulatorului sunt defecte.	Introduceți fișa de alimentare (complet) în priză. Verificați tensiunea de alimentare; apelați la un agent de service autorizat pentru verificarea încărcătorului de acumulator.

OBSAH

1. BEZPEČNOST VÝROBKU
2. SEZNAM KOMPONENT
3. TECHNICKÉ ÚDAJE
4. POKYNY PRO OBSLUHU
5. ÚDRŽBA
6. OCHRANA ŽIVOTNÍHO PROSTŘEDÍ
7. PROHLÁŠENÍ O SHODĚ
8. ŘEŠENÍ PROBLÉMŮ

Uživatelé si mohou zobrazit pokyny v elektronické formě na <https://eu.worx.com>.

1. BEZPEČNOST VÝROBKU VŠEOBECNÉ BEZPEČNOSTNÍ POKYNY



VAROVÁNÍ Přečtěte si všechna bezpečnostní varování a všechny pokyny.

Nebudete-li dodržovat uvedená varování a pokyny, může dojít k úrazu elektrickým proudem, požáru nebo vážným zraněním.

Uschovejte všechna varování a pokyny pro budoucí odkazy.

Toto zařízení může být použito pouze s napájecí jednotkou, která byla dodána s tímto zařízením.

**DŮLEŽITÉ
PŘED POUŽITÍM SI PEČLIVĚ
PŘEČTĚTE TENTO NÁVOD A
USCHOVEJTE TYTO POKYNY
PRO BUDOUCÍ ODKAZY**

Pokyny pro bezpečnou obsluhu

1. Průprava

- a) Přečtěte si pečlivě uvedené pokyny. Seznamte se s ovládacími prvky a se správným použitím tohoto zařízení.
- b) Nikdy nenechávejte obsluhovat toto zařízení děti, osoby se sníženými fyzickými, smyslovými nebo duševními schopnostmi, nebo nedostatkem zkušeností a znalostí, nebo osoby neobeznámené s těmito pokyny k obsluze zařízení. Věk obsluhy může být omezen místními předpisy.
- c) UVědomte si, že obsluha nebo uživatel nesou odpovědnost za nehody nebo rizika, která hrozí jiným osobám nebo jejich majetku.

2. Příprava

- a) Před použitím vždy zkontrolujte, zda není zařízení poškozeno a zda nemá chybějící či nesprávně nasazené ochranné kryty nebo bezpečnostní štíty.
- b) Nikdy zařízení nepoužívejte v blízkosti dalších osob, zvláště pak dětí nebo domácích zvířat.

3. Použití

- a) Po celou dobu práce se zařízením používejte ochranné brýle, dlouhé kalhoty a robustní obuv.
- b) Nepoužívejte zařízení za špatných povětrnostních podmínek, zvláště pak pokud hrozí nebezpečí bouřek.
- c) Zařízení používejte pouze za denního světla nebo při dobrém umělém osvětlení.
- d) Nikdy nepoužívejte tento stroj s poškozenými kryty nebo v případě, nejsou-li tyto kryty na svých místech.
- e) Motor spouštějte pouze pokud se vaše ruce či nohy nacházejí mimo řezací část stroje.
- f) Zařízení vždy odpojte od napájení (např. vyjměte ze zařízení akumulátor).
- 1) Vždy, když je ponecháte bez dozoru;
- 2) Před odstraněním zablokování;
- 3) Před kontrolou, čištěním a jakoukoli prací na stroji;
- 4) Po nárazu do cizího předmětu;
- 5) Vždy, když stroj začne neobvykle vibrovat.
- g) Dávejte pozor na poranění nohou a rukou řezací částí stroje.
- h) Vždy zajistěte, aby nebyly větrací otvory zaneseny

nečistotami a aby byly čisté.

- i) Nikdy na stroj neupevňujte kovové žací prvky.
- j) Na svahu vždy udržujte pevný postoj.
- k) Chod'te, nikdy neběhejte.
- l) Nepřeceňujte své síly a vždy udržujte pevný postoj.
- m) Nedotýkejte se nebezpečných pohyblivých částí před vyjmutím akumulátoru ze stroje, po vyjmutí akumulátoru počkejte, až se pohyblivé části zcela zastaví.

4. Údržba a uložení

- a) Před prováděním údržby nebo čištění zařízení odpojte od napájení (například vyjmutím akumulátoru ze stroje).
- b) Používejte výhradně náhradní díly a příslušenství doporučené výrobcem.
- c) Pravidelně provádějte kontrolu a údržbu stroje. Stroj nechávejte opravovat pouze v autorizovaném servise.
- d) Pokud zařízení nepoužíváte, uložte je mimo dosah dětí.

BEZPEČNOST BATERIE BEZPEČNOSTNÍ VAROVÁNÍ TÝKAJÍCÍ BATERIÍ

- a) Nepokoušejte se demontovat, rozebírat nebo rozřezávat baterie**

nebo její články.

b) Neprovádějte zkratování baterie. Neukládejte baterie nahodile v krabicích nebo v zásuvkách, kde by mohlo dojít k jejich vzájemnému zkratování nebo k zkratování způsobenému jinými předměty. Není-li

baterie používána, udržujte ji v bezpečné vzdálenosti od sponek na papíry, mincí, klíčů, hřebíků, šroubů nebo jiných malých kovových předmětů, které mohou způsobit propojení kontaktů baterie. Zkratování kontaktů baterie může způsobit popáleniny nebo požár.

c) Nevystavujte baterii působení horka nebo ohně. Vyvarujte se skladování baterií na otevřeném slunci.

d) Nevystavujte baterii mechanickým rázům.

e) Dojde-li k úniku kapaliny z baterie, zabraňte tomu, aby se tato kapalina dostala do kontaktu s pokožkou nebo aby zasáhla oči. Dojde-li k takovému kontaktu, zasažené místo omyjte značným množstvím vody

a vyhledejte lékařské ošetření.

f) Udržujte baterie čisté a suché.

g) Jsou-li svorky baterie znečištěny, otřete je čistým a suchým hadříkem.

h) Baterie musí být před použitím nabita. Vždy postupujte podle uvedených pokynů a používejte správný postup nabíjení.

i) Nenechávejte baterii nabíjet, nebude-li baterie použita.

j) Po dlouhodobém uložení budete možná muset provést několik cyklů nabíjení a vybíjení, aby baterie dosáhla svého maximálního výkonu.

k) Provádějte nabíjení pouze v nabíječce, která je specifikovaná společností Worx. Nepoužívejte jinou nabíječku, než je nabíječka speciálně dodaná pro použití s tímto zařízením.

l) Nepoužívejte žádnou baterii, která není určena pro použití s tímto zařízením.

m) Ukládejte baterie mimo dosah dětí.

n) Uchovejte originální dokumentaci k tomuto výrobku pro budoucí odkazy.

o) Není-li zařízení používáno, vyjměte z něj baterii.

p) Provádějte řádnou likvidaci baterie.

q) V zařízení nekombinujte bateriové články různého data výroby, kapacity, velikosti nebo typu.

r) Baterii uchovávejte dál od mikrovlnných trub a vysokého tlaku.

SYMBOLY

	Přečtěte si návod k obsluze
	Udržujte ostatní osoby v bezpečné vzdálenosti.
	Používejte ochranu zraku a sluchu
	Nevystavujte dešti.

	Nepotřebné elektrické přístroje by neměly být vyhazovány společně s odpadem z domácnosti. Nářadí recyklujte ve sběrnách zřízených k tomuto účelu. O možnostech recyklace se informujte na místních úřadech nebo u prodejce.
	Akumulátor Li-Ion. Tento výrobek byl označen symbolem „tříděný odpad“ pro všechny jednotlivé a složené akumulátory. Proto musí být s ohledem dopadu na životní prostředí po dosloužení recyklován nebo demontován. Akumulátory obsahují nebezpečné látky, proto mohou být nebezpečné pro životní prostředí a lidské zdraví.
	Před výměnou příslušenství zajistěte, aby byla z nářadí vyjmuta baterie.
	Sečen
	Nevystavujte ohni.
	Vysloužilé elektrické přístroje by neměli být vyhazovány společně s odpadem z domácnosti. Nářadí recyklujte ve sběrnách zřízených k tomuto účelu. O možnostech recyklace se informujte na místních úřadech nebo u prodejce.

2. SEZNAM KOMPONENT

1. **BATERIE ***
2. **INDIKÁTOR NABÍTÍ BATERIE**
3. **TLAČÍTKO ZÁMKU**
4. **SPOUŠŤ PROMĚNLIVÉ RYCHLOSTI**
5. **ECO TLAČÍTKO**
6. **HORNÍ ČÁST RUKOJETI**
7. **PŘÍDAVNÁ RUKOJEŤ**
8. **SPODNÍ RUKOJEŤ**
9. **BEZPEČNOSTNÍ KRYT**

10. ZKRACOVACÍ NŮŽ STRUNY

11. JEMNĚ VYLADĚNÁ HLAVA (NÁRAZOVÁ HLAVA)

12. UVOLNĚTE ZNAČKU

*** Ne všechno zobrazené nebo popisované příslušenství je součástí standardní dodávky.**

3. TECHNICAL DATA

Typ **WG185E WG185E.X** (1-označení stroje, zástupce bezšňůrové strunové sekačky)

	WG185E WG185E.X **
Napětí	40 V \equiv MAX (2x20V MAX) ***
Otáčky naprázdno	6000/min
Řezný průměr sekačky na trávu	38cm
Průměr struny	2.4mm
Délka drátu	Doporučené 4m (dvojitý výstup)
Hmotnost přístroje (Holé nářadí)	2.87kg

** X = 1-999, A-Z, M1-M9 jsou pouze pro různé zákazníky, mezi těmito modely neexistují žádné změny související s bezpečností.

*** Napětí měřené bez zátěže. Počáteční napětí baterie dosáhne maximálně 20voltů. Jmenovité napětí je 18 voltů.

NAVRHOVANÉ BATERIE A NABÍJENÍ

Kategorie	Modely	Kapacita
20V Baterie	WA3014	4.0Ah
	WA3644	4.0Ah
20V Nabíječka baterií	WA3883	4.0A

Doporučujeme zakoupit příslušenství z obchodu, kde se nářadí prodává. Další podrobnosti najdete v balíčku příslušenství. Zaměstnanci obchodu vám mohou pomoci a poradit.

INFORMACE TÝKAJÍCÍ SE HLUČNOSTI

Měřený akustický tlak $L_{PA} = 78.4$ dB(A)

$K_{PA} = 3$ dB(A)

Měřený akustický výkon $L_{WA} = 92.5$ dB(A)

$K_{WA} = 3$ dB(A)

Používejte ochranu sluchu.



INFORMACE TÝKAJÍCÍ SE VIBRAČÍ

Typická naměřená hodnota vibrací $a_n < 2.5$ m/s²

Odchylka $K = 1.5$ m/s²

Deklarovaná celková hodnota vibrací může být použita pro vzájemné srovnání jednotlivých nářadí a rovněž může být použita k předběžnému stanovení doby práce.

VAROVÁNÍ: Úroveň vibrací při aktuálním použití elektrického nářadí se může lišit od deklarované hodnoty v závislosti na způsobu, jakým je nářadí používáno, v závislosti na následujících příkladech a na jiných variantách toho, jak je nářadí používáno: Jak je nářadí používáno a jaké materiály budou řezány nebo vrtány.

Nářadí musí být v dobrém stavu a musí být prováděna jeho řádná údržba.

S nářadím musí být používáno správné příslušenství, a toto příslušenství musí být ostré a v dobrém stavu. Těsný úchop na rukojetích a kontrola, je-li vůbec použito antivibrační příslušenství.

Toto nářadí může být použito pouze pro určené účely a podle těchto pokynů.

Není-li toto nářadí používáno odpovídajícím způsobem, může způsobit syndrom nemoci způsobené působením vibrací na ruce a paže obsluhy.

VAROVÁNÍ: Chcete-li být přesní, odhad doby působení vibrací v aktuálních podmínkách při použití tohoto nářadí by měl brát v úvahu také všechny části pracovního cyklu, jako jsou doby, kdy je nářadí vypnuto a kdy je v chodu ve volnoběžných otáčkách, ale ve skutečnosti neprovádí žádnou práci. Doba působení vibrací tak může být během celkové pracovní doby značně zkrácena. Pomozte minimalizovat dobu působení vibrací na

obsluhu.

VŽDY používejte ostré sekače, vrtáky a nože.

Provádějte údržbu tohoto nářadí podle těchto pokynů a zajistěte jeho řádné mazání (je-li to vhodné).

Musíte-li toto nářadí používat pravidelně, investujte do antivibračního příslušenství.

Vypracujte si svůj plán práce, abyste působení vysokých vibrací tohoto nářadí rozdělili do několika dnů.

4. SESTAVENÍ A POUŽÍVÁNÍ

POSTUP	OBR
SESTAVENÍ	
Montáž přidavného madla	Viz Obr. A1, A2, A3
Odstranění zátky trubky POZNÁMKA: Před montáží tyče prosím nejprve odstraňte ochrannou zátku trubky na přístroji.	Viz Obr. B1
Montáž tyče	Viz Obr. B2
Sestavení bezpečnostního krytu Vložte kovovou konzolu do otvoru bezpečnostního krytu a poté zabezpečte ochranný kryt na místě pomocí šroubů a imbusového klíče.	Viz Obr. C
Vložení a vyjmutí baterie POZNÁMKA: • Tato sekačka bude schopna provozu pouze se 2 vloženými akumulátory. Používejte vždy dva shodné typy akumulátorů a nabíjejte je současně. • Při použití dvou baterií s různou ampérhodinou nebo úrovní nabití bude stroj pracovat s nejnižším společným jmenovatelem. • Baterie s kapacitou 4.0 Ah nebo vyšší se doporučuje pro lepší výkon a delší dobu provozu.	Viz Obr. D1, D2
Kontrola stavu nabití baterie POZNÁMKA: Obr. E3 platí pouze pro akumulátor s indikátorem stavu nabití.	Viz Obr. D3

Nabíjení baterie

POZNÁMKA:

• Tato baterie je dodávána jako nenabitá. Před prvním sekaním trávníku musí být baterie zcela nabita.

• Oba akumulátory dobíjejte na plnou kapacitu vždy současně. Další informace naleznete v návodu pro model.

Viz Obr. D4

Indikátor stavu nabití baterie na sekačce

Podrobné informace naleznete v části STAV NABITÍ AKUMULÁTORU

Viz Obr. D5

OBSLUHU

Začněte



VAROVÁNÍ! Hlava sekačky

pokračuje v otáčení ještě chvíli po zastavení sekačky.

Počkejte proto, dokud nedojde k úplnému zastavení sekačky a potom ji odložte.

Nejprve stiskněte tlačítko zámku a poté stisknutím spouště spínače spusťte stroj.

Viz Obr. E

ECO rychlost

Chcete-li prodloužit dobu chodu, stiskněte tlačítko ECO a přepněte spoušť a stroj bude běžet nízkou rychlostí.

Viz Obr. F

Ořezávání

Viz Obr. G

Bump krmivo

Viz Obr. H

Montáž a demontáž zastíhovací hlavy

Vložte do otvoru šestihřanný klíč a otáčejte vyžinačovou hlavou, dokud se nezastaví v zajištěné poloze. Potom ji vyjměte otočením proti směru hodinových ručiček a poté ji sestavte otočením ve směru hodinových ručiček.

Viz Obr. I

Navijení zastříhovače
 Krok 1: Vyjměte akumulátor ze strunové sekačky.
 Krok 2: Otočte hlavou strunové sekačky ve směru šípky, aby se zarovнала s očkem.
 Krok 3: Vložte strunu do očka (J2) a tlačte na ni, dokud konec šňůry nevyjde z opačného očka.
 Krok 4: Strunu vytáhněte z druhé strany, dokud na obou stranách hlavy strunové sekačky nebudou stejně dlouhé části šňůry (ne více než 2 metry na každé straně).
 Krok 5: Otočte hlavou pro navinutí šňůry.

POZNÁMKA: Cívka musí být navinuta, zatímco je uvnitř zastříhovací hlavy. Cívka nesmí být ovinuta nití a potom namontována do výzínací hlavy.

Viz Obr. J1, J2, J3

Bliká pouze jedna kontrolka dvakrát za sebou.	Nejméně jeden akumulátor je téměř vybitý (viz indikátor stavu nabití akumulátoru). Před opětovným použitím, nebo před uskladněním nabijte současně oba akumulátory.
Bliká pouze jedna kontrolka třikrát za sebou.	Nejméně jeden akumulátor je příliš zahřátý. Před opětovným spuštěním zařízení počkejte, až vychladne.
Bliká pouze jedna kontrolka čtyřikrát za sebou.	Sekačka je přetížena. Zvyšte výšku řezu nebo na sekačku tlačte jen zvolna.

STAVOVÉ LED AKUMULÁTORU (Viz Obr. D5)

Před spuštěním nebo po použití stiskněte tlačítko umístěné na přístroji vedle kontrolky napájení, abyste zkontrolovali kapacitu akumulátoru. Během provozu je kapacita akumulátoru automaticky zobrazena na indikátoru výkonu akumulátoru. Indikátor neustále snímá a zobrazuje stav akumulátoru následujícím způsobem. U zařízení se 2 akumulátory s různým výkonem indikuje kontrolka napájení stav spodního akumulátoru.

Indikátor stavu nabití akumulátoru	Stav akumulátoru
Svítil pět zelených kontrolkek (■ ■ ■ ■ ■).	Dva akumulátory jsou plně nabitě.
Svítil dvě, tři nebo čtyři zelené kontrolky.	Dva akumulátory jsou ještě částečně nabitě. Čím více zelených kontrolkek svítí, tím je vyšší zbyvajcí kapacita nabití.
Svítil pouze jedna zelená kontrolka (■ □ □ □ □).	Nejméně jeden akumulátor je zcela vybit a je nutné jej znovu nabít.
Nesvítil žádná kontrolka.	Nejméně jeden akumulátor není plně nasazen, nebo je vadný.

POKYNY PRO OBSLUHU

VAROVÁNÍ! Nabíječka a baterie jsou speciálně určeny k tomu, aby pracovaly dohromady, a proto se nepokoušejte o jejich použití s jinými výrobky. Nikdy nevkládejte kovové předměty do nabíječky nebo na kontakty baterie, protože by došlo k poškození zařízení nebo úrazu elektrickým proudem.

1. Systém krmení hrbolelem (Viz Obr. H)

Výzínáč je vybaven systémem vyrovnávacího vedení. Kdykoli se dotknete hlavy zastříhovače, když je stroj v chodu, vyvede se nová linka.

2. Navijení zastříhovače (WA0201) (Viz Obr. J1, J2)

Protáhněte náhradní šňůru okem a posuňte ji z druhé strany. Ujistěte se, že oba konce drátu jsou rovné na koncích zastříhovací hlavy (doporučené 2 m), a poté drát odřízněte. Otáčejte číselníkem ve směru hodinových ručiček, abyste navijeli nit na cívku, dokud nezůstane 19 cm doleva a doprava.

SKLADOVÁNÍ VAŠÍ STRUNOVÉ SEKAČKY

! Po použití vždy odpojte od strunové sekačky baterii.

Uložení STRUNOVÉ sekačky

Sekačka je opatřena závěsnou štěrbínou k jejímu zavěšení na stěně. (Viz Obr. K)
 Uchovávejte na suchém místě, kde budou sekačka i akumulátor chráněny před poškozením.

5. ÚDRŽBA

! Po použití vždy odpojte od strunové sekačky baterii.


Před použitím strunové sekačky vždy

zkontrolujte, zda není poškozena.

Po použití vždy odpojte od strunové sekačky baterii. Před použitím strunové sekačky vždy zkontrolujte, zda není poškozena.

Vaše elektrické nářadí nevyžaduje žádné doplňkové mazání nebo údržbu. Ve vašem nářadí nejsou žádné díly, jejichž opravu by mohl provádět uživatel. Nikdy nepoužívejte při čištění vašeho elektrického nářadí vodu nebo chemické čisticí prostředky. Otfete a očistěte nářadí suchým hadříkem. Vždy ukládejte toto elektrické nářadí na suchém místě. Udržujte v čistotě větrací otvory motoru. Udržujte v čistotě všechny ovládací prvky.

6.OCHRANA ŽIVOTNÍHO PROSTŘEDÍ

 Nepotřebné elektrické přístroje by neměly být vyhazovány společně s odpadem z domácnosti. Nářadí recyklujte ve sběrnách zřízených k tomuto účelu. O možnostech recyklace se informujte na místních úřadech nebo u prodejce.

7.PROHLÁŠENÍ O SHODĚ

My,
Positec Germany GmbH
Postfach 32 02 16, 50796 Cologne, Germany

tímto prohlašujeme, že výrobek
Popis **Bezdrátová strunová sekačka na trávu**
Typ **WG185E WG185E.X (1-označení stroje, zástupce
bezšňůrové strunové sekačky)**
Funkce **sečení trávníků a jiných podobných
měkkých rostlin a úpravy okrajů trávníků**

splňuje požadavky následujících směrnic,
**2006/42/EC, 2014/30/EU, 2011/65/EU&(EU)2015/863,
2000/14/EC upravená směrnici2005/88/EC**

2000/14/EC upravená směrnici 2005/88/EC:
- Postup posuzování shody podle **Dodatek VI**
- Měřená úroveň akustického výkonu **92,5 dB (A)**
- Deklarovaná zaručená úroveň akustického výkonu
96 dB (A)

Pověřený úřední orgán
**Název: Intertek Deutschland GmbH (notifizierte
Stelle 0905)**
**Adresa:Stangenstraße 1, 70771
LEINFELDEN-ECHTERDINGEN**

Použité normy,
**EN 60335-1, EN 50636-2-91, EN 62233,
EN ISO 3744, EN IEC 55014-1, EN IEC 55014-2,
EN IEC 63000**

Osoba odpovídající za vytvoření technické

dokumentace,

Jméno Marcel Filz
Adresa Positec Germany GmbH
Postfach 32 02 16, 50796 Cologne, Germany



2023/09/12
Allen Ding
Zástupce vrchní konstrukční kanceláře,
Testování & Certifikace
Positec Technology (China) Co., Ltd
18, Dongwang Road, Suzhou Industrial
Park, Jiangsu 215123, P. R. China

8.ŘEŠENÍ PROBLÉMŮ

Následující tabulka ukazuje příznaky závad, možnou příčinu a též správnou nápravu, pokud by Vaše zahradní nářadí někdy nefungovalo bezvadně.



POZOR: Před hledáním závady zahradní nářadí vypněte a odejměte akumulátor.

Příznaky	Možná příčina	Náprava
Strunová sekačka nepracuje.	Baterie je vybitá. Baterie je příliš horká/studená. Motor je vadný. Vnitřní vodiče jsou poškozené.	Nabijte baterii. Rovněž se podívejte do příručky k nabíječce baterie. Počkejte, až baterie vychladne/zahřejte ji. Obraťte se na servisního zástupce. Obraťte se na servisního zástupce.
Chod strunové sekačky je přerušovaný.	Motor je vadný. Baterie není plně nabitá. Spínač je vadný.	Obraťte se na servisního zástupce. Nabijte baterii. Obraťte se na servisního zástupce.
Nadměrné vibrace/hluk.	Strunová sekačka je poškozená. Struna není správně navinutá.	Obraťte se na servisního zástupce. Znovu navíňte strunu. Viz část „Ruční vysunutí struny“.
Doba provozu na baterii je příliš nízká.	Baterie nebyla delší dobu používána nebo byla nabíjena jen krátce. Tráva je příliš vysoká. Baterie je vadná.	Plně nabijte baterii. Rovněž se podívejte do příručky k nabíječce baterie. Proveďte postupné sekání. Vyměňte baterii.
Zařízení neseče.	Struna je přetržená. Baterie není plně nabitá. Motor je vadný (rychlost je příliš nízká). V oblasti strunové hlavy se zachytila tráva.	Vyměňte strunu. Nabijte baterii. Rovněž se podívejte do příručky k nabíječce baterie. Obraťte se na servisního zástupce. Odstraňte trávu.
Trvale svítí indikátor nabíjení baterie. Nabíjení nelze provést.	Baterie není (správně) připojena. Kontakty baterie jsou znečištěné. Baterie je vadná.	Vložte baterii do nabíječky správně. Očistěte kontakty baterie (např. opakovaným připojením a odpojením baterie) nebo baterii vyměňte. Vyměňte baterii.
Indikátor nabíjení baterie nesvítí.	Zástrčka nabíječky baterie není (správně) připojena. Síťová zásuvka, napájecí kabel nebo nabíječka baterie je vadná.	Připojte zástrčku do síťové zásuvky (až na doraz). Zkontrolujte síťové napětí. Nechejte nabíječku baterie zkontrolovat autorizovaným servisním zástupcem.
Automatický posun struny nepracuje.	Žací struna není správně navinutá. Struna je zamotaná. Struna je vypotřebovaná.	Ručně povytáhněte strunu. Pokud strunu nelze vysunout, vyjměte cívkou a navíňte strunu. Vyměňte cívkou za novou.

OBSAH

1. BEZPEČNOSŤ VÝROBKU
2. ZOZNAM SÚČASTÍ
3. TECHNICKÉ ÚDAJE
4. NÁVOD NA POUŽITIE
5. ÚDRŽBA
6. OCHRANA ŽIVOTNÉHO PROSTREDIA
7. VYHLÁSENIE O ZHODE
8. RIEŠENIE PROBLÉMOV

Používatelia si môžu pozrieť elektronické návody na <https://eu.worx.com>.

1. BEZPEČNOSŤ VÝROBKU VŠEOBECNÉ BEZPEČNOSTNÉ POKYNY



UPOZORNENIE

Prečítajte si všetky bezpečnostné upozornenia a všetky pokyny. Ak

nebudete dodržiavať uvedené bezpečnostné pokyny a upozornenia, môže dôjsť k úrazu elektrickým prúdom, požiaru alebo vážnym zraneniam.

Uložte bezpečnostné pokyny na ďalšie použitie.

Toto zariadenie môže byť použité iba s napájacou jednotkou, ktorá bola dodaná s týmto zariadením.

**DÔLEŽITÉ
PRED POUŽITÍM SI POZORNE
PREČÍTAJTE NÁVOD NA**

**OBSLUHU A USCHOVAJTE
HO NA ĎALŠIE POUŽITIE.**

Pokyny k bezpečnému použitiu

1. Príprava

- a) Pozorne si prečítajte nasledujúce pokyny. Zoznámte sa s ovládacími prvkami a so správnym použitím tohoto zariadenia.
- b) Nikdy nenechávajte obsluhovať toto zariadenie deti, osoby so zníženými fyzickými, zmyslovými alebo duševnými schopnosťami, alebo nedostatkom skúseností a znalostí, alebo osoby nezoznamené s týmito pokynmi na obsluhu zariadenia. Vek obsluhy môže byť obmedzený miestnymi predpismi.
- c) Pamätajte na to, že obsluha alebo používateľ zariadenia je zodpovedný za nehody alebo škody, ktoré hrozia iným osobám alebo ich majetku.

2. Príprava

- a) Pred použitím vždy skontrolujte, či nie je zariadenie poškodené a či nemá chýbajúce alebo nesprávne nasadené ochranné kryty alebo bezpečnostné štíty.

b) Nikdy zariadenie nepoužívajte v blízkosti ďalších osôb, hlavne detí alebo domácich zvierat.

3. Použitie

a) V priebehu celej pracovnej doby so zariadením používajte ochranné okuliare, dlhé nohavice a pevnú obuv.

b) Zariadenie nepoužívajte v zlých poveternostných podmienkach, hlavne ak hrozí nebezpečenstvo búrok.

c) Zariadenie používajte iba za denného svetla alebo pri dobrom umelom osvetlení.

d) Nikdy nepoužívajte tento stroj s poškodenými krytmi alebo v prípade, ak nie sú tieto kryty na svojich miestach.

e) Motor spúšťajte iba ak sa vaše ruky či nohy nachádzajú mimo rezaciu časť stroja.

f) Zariadenie vždy odpojte od napájania (napr. vytiahnite zo zariadenie akumulátor).

1) Vždy, keď ho nechávate bez dozoru;

2) Pred odstránením zablokovania;

3) Pred kontrolou, čistením, a každou prácou na zariadení

4) Po náraze do cudzieho predmetu.

5) Vždy, keď stroj začne neobvykle vibrovať.

g) Dávajte pozor na poranenie nôh a rúk o rezacie časti stroja.

h) Vždy zaistite, aby neboli vetracie otvory zanesené nečistotami a aby boli čisté.

i) Nikdy na stroj neupevňujte kovové žacie prvky.

j) Pri práci v členitom teréne udržiavajte vždy pevný postoj.

k) Kráčajte, nikdy nebehajte.

l) Nepreceňujte svoje sily a vždy udržiavajte pevný postoj.

m) Nedotýkajte sa nebezpečných pohyblivých častí pred vytiahnutím akumulátora zo stroja, po vytiahnutí akumulátora počkajte, kým sa pohyblivé časti úplne nezastavia.

4. Údržba a uskladnenie

a) Pred vykonávaním údržby alebo čistením zariadenie odpojte od napájania (napríklad vytiahnutím akumulátora zo stroja).

b) Používajte výhradne náhradné diely a príslušenstvo odporúčené výrobcom.

c) Pravidelne vykonávajte kontrolu a údržbu stroja. Stroj nechávajte opravovať iba v autorizovanom servise.

d) Ak zariadenie nepoužívate, uskladnite ho mimo dosahu detí.

BEZPEČNOSŤ BATÉRIÍ BEZPEČNOSTNÉ VAROVANIA TÝKAJÚCE SA BATÉRIÍ

- a) Nepokúšajte sa demontovať, rozoberať alebo rozrezávať batérie alebo jej články.**
- b) Batériu neskratujte. Neukladajte batérie náhodne v škatuliach alebo v zásuvkách, kde by mohlo dôjsť k ich vzájomnému skratovaniu alebo k skratovaniu spôsobenému inými predmetmi.** Ak sa batéria nepoužíva, udržiajte ju v bezpečnej vzdialenosti od sponiek na papiere, mincí, klúčov, klincov, skrutiek alebo iných malých kovových predmetov, ktoré môžu spôsobiť prepojenie kontaktov batérie. Skratovanie kontaktov batérie môže spôsobiť popálenie alebo požiar.
- c) Nevystavujte batériu pôsobeniu tepla alebo ohňa. Vyvarujte sa skladovania batérií na otvorenom slnku.**
- d) Nevystavujte batériu mechanickým rázom.**
- e) Ak dôjde k úniku kvapaliny**

z batérie, zabráňte tomu, aby sa táto kvapalina dostala do kontaktu s pokožkou alebo aby zasiahla oči. Ak dôjde k takému kontaktu, zasiahnuté miesto umyte značným množstvom vody a vyhľadajte lekárske ošetrovanie.

- f) Udržujte batérie čisté a suché.**
- g) Ak sú svorky batérie znečistené, utrite ich čistou a suchou handričkou.**
- h) Batéria musí byť pred použitím nabitá. Vždy postupujte podľa uvedených pokynov a používajte správny postup nabíjania.**
- i) Nenechávajte batériu nabíjať, ak nebude batéria použitá.**
- j) Po dlhodobom uložení budete možno musieť vykonať niekoľko cyklov nabíjania a vybíjania, aby batéria dosiahla svoj maximálny výkon.**
- k) Vykonávajte nabíjanie iba v nabíjačke, ktorá je špecifikovaná spoločnosťou Worx. Nepoužívajte inú**

nabíjačku, než je nabíjačka špeciálne dodaná na použitie s týmto zariadením

l) Nepoužívajte žiadnu batériu, ktorá nie je určená na použitie s týmto zariadením.

m) Ukladajte batérie mimo dosahu detí.

n) Uschovajte originálnu dokumentáciu k tomuto výrobku na budúce odkazy.

o) Ak sa zariadenie nepoužíva, vyberte z neho batériu.

p) Vykonávajte riadnu likvidáciu batérie.

q) V zariadení nekombinujte batériové články rôzneho dátumu výroby, kapacity, veľkosti alebo typu.

r) Batériu uchovávajte ďalej od mikrovlnných rúr a zariadení pod vysokým tlakom.

SYMBOLY



Prečítajte si návod na obsluhu



Udržujte ostatné osoby v bezpečnej vzdialenosti



Používajte ochranu zraku a sluchu



Nevystavujte dažďu



Elektrické výrobky sa nesmú likvidovať spolu s domácim odpadom. Recyklujte v zberných miestach na tento účel zriadených. O možnosti recyklácie sa informujte na miestnych úradoch alebo u predajcu.



Li-Ion



Akumulátor Li-Ion. Tento výrobok bol označený symbolom "triedený odpad" pre všetky jednotlivé a zložené akumulátory. Preto musí byť s ohľadom vplyvu na životné prostredie po doslúžení recyklovaný alebo demontovaný. Akumulátory obsahujú nebezpečné látky, preto môžu byť nebezpečné pre životné prostredie a ľudské zdravie.



Pred výmenou príslušenstva zaistíte, aby bola z náradia vybraná batéria.



Kosenie trávnikov



Nespaľujte ich.



Akumulátory sa môžu pri nesprávnom spôsobe likvidácie dostať do systému kolobehu vody, čo môže ohroziť vlastný ekosystém. Doslúžile akumulátory nelikvidujte ako zmesový komunálny odpad.

2. ZOZNAM SÚČASTÍ

1.	AKUMULÁTOR *
2.	INDIKÁTOR NABITIA BATÉRIE
3.	TLAČIDLO ZÁMKU
4.	SPŮŠŤ S PREMENLIVOU RÝCHLOSŤOU
5.	TLAČIDLO ECO
6.	HORNÁ TYČ
7.	PRÍDAVNÁ RUKOVÄŤ
8.	SPOJKA SPODNEJ TYČE
9.	BEZPEČNOSTNÝ KRYT
10.	SKRACOVACÍ NŮŽ STRUNY
11.	JEMNE VYLADENÁ HLAVA (NÁRAZOVÁ HLAVA)
12.	UVOĽNITE ZNAČKU

* Nie všetko zobrazené alebo popisované príslušenstvo je súčasťou štandardnej dodávky.

3. TECHNICKÉ ÚDAJE

Typ **WG185E WG185E.X** (1 - označenie stroja, predstavuje akumulátorový vyžinač trávy)

	WG185E WG185E.X **
Napätie	40 V === MAX (2x20V MAX) ***
Otáčky naprázdno	6000/min
Priemer kosenia kosačky na tráv	38cm
Priemer struny	2.4mm (WA0201)
Dĺžka drôtu	Odporúčané 4m (Dvojité výstup)
Hmotnosť stroja (Holé náradie)	2.87kg

** X = 1-999, A-Z, M1-M9 sú len pre rôznych zákazníkov, medzi týmito modelmi nie sú žiadne zmeny týkajúce sa bezpečnosti.

*** Napätie merané bez prevádzkového zaťaženia. Počiatočné nabitie batérie dosahuje maximálne 20

VoltoV. Nominálne napätie je 18 Voltov.

ODPORÚČANÉ BATÉRIE A NABÍJAČKY

Kategórie	Modelmi	Kapacita
20V Batériový	WA3014	4.0Ah
	WA3644	4.0Ah
20V Nabíjačka	WA3883	4.0A

Odporúčame, aby ste si kupovali príslušenstvo z obchodu, kde sa nástroje predávajú. Ďalšie podrobnosti nájdete v baliku príslušenstva. Personál obchodu vám môže pomôcť a poradiť vám.

INFORMÁCIE O HLUKU

Meraný akustický tlak	$L_{PA} = 78.4 \text{ dB(A)}$
K_{PA}	3 dB(A)
Meraný akustický výkon	$L_{WA} = 92.5 \text{ dB(A)}$
K_{WA}	3 dB(A)

Používajte ochranu sluchu.



INFORMÁCIE O VIBRÁCIÁCH

Typická nameraná hodnota vibrácií	$a_h < 2.5 \text{ m/s}^2$
Nepresnosť	$K = 1.5 \text{ m/s}^2$

Deklarovaná celková hodnota vibrácií sa môže použiť na vzájomné porovnanie jednotlivých náradí a takisto aj na predbežné stanovenie času práce.

! **VÝSTRAHA:** Hodnota emisie vibrácií počas skutočného používania elektrického náradia sa môže odlišovať od deklarovanej hodnoty, a to v závislosti od spôsobu používania náradia a v závislosti od nasledujúcich príkladov odchýlok od spôsobu používania náradia:

Akým spôsobom sa náradie používa a aké materiály budú rezané alebo vrútané.

Náradie je v dobrom stave a je dobre udržiavané.

Používanie správneho príslušenstva v spojení s náradím a zabezpečenie jeho ostrosti a dobrého stavu. Tesnosť zovretia rukovätí a používanie doplnkov proti vibráciám.

Používanie náradia na podľa konštrukcie určený účel a

vsúlade s pokynmi.

Toto náradie môže vyvolávať syndróm trasenia rúk a ramien, pokiaľ jeho používanie nie je správnym spôsobom riadené.

! **VÝSTRAHA:** Kvôli presnosti by mal odhad úrovne expozície v skutočných podmienkach používania obsahovať tiež všetky súčasti prevádzkového cyklu, ako sú doby, počas ktorých je náradie vypnuté a počas ktorých beží na voľnobehu, a to mimo skutočného vykonávania práce. Tým môže dôjsť k značnému zníženiu úrovne expozície počas celkového prevádzkového času. Pomôžte minimalizovať riziko expozície účinkom vibrácií.

VŽDY používajte ostré sekáče a čepele. Náradie udržiavajte v súlade s týmto návodom a udržiavajte ho dobre namazané (ak je to potrebné). Ak sa náradie používa často, investujte do príslušenstva zabraňujúceho vibráciám. Prácu si naplánujte tak, aby ste akékoľvek používanie náradia pri vysokých vibráciách rozdelili na niekoľko dní.

4. MONTÁŽ A OBSLUHA

VYKONÁVANÝ ÚKON	OBR
ZOSTAVENIE	
Montáž pomocnej rukoväte	Pozrite Obr. A1,A2,A3
Odstránenie zátky POZNÁMKA: Pred montážou tyče najprv odstráňte zo stroja ochrannú zátku.	Pozrite Obr. B1
Montáž tyče	Pozrite Obr. B2
Zostavenie Bezpečnostného Krytu Vložte kovovú konzolu do štrbiny bezpečnostného krytu a potom ho zaisťte skrutkami a šesťhranným kľúčom.	Pozrite Obr. C

Vloženie A Vybratie Batérie

POZNÁMKA:

- Táto kosačka bude schopná prevádzky iba s 2 vloženými akumulátormi. Používajte vždy dva zhodné typy akumulátorov a nabíjajte ich súčasne.
- Pri použití dvoch batérií s rôznymi ampérhodinami alebo úrovňami nabitia bude stroj pracovať s najnižším spoločným menovateľom.
- Batéria s kapacitou 4,0 Ah alebo vyššia sa odporúča pre lepší výkon a dlhšiu výdrž.

Pozrite Obr. D1, D2

Kontrola stavu nabitia batérie

POZNÁMKA: Obr. E3 platí len pre akumulátor s indikátorom stavu nabitia.

Pozrite Obr. D3

Nabíjanie batérie

POZNÁMKA:

- Táto batéria sa dodáva ako nenabitá. Pred prvým kosením trávnikára musí byť batéria celkom nabitá.
- Oba akumulátory nabíjajte na plnú kapacitu vždy súčasne. Podrobné údaje nájdete v príručke k nabíjačke.

Pozrite Obr. D4

Indikátor stavu nabitia batérie na kosačke

Podrobné informácie nájdete v časti STAV NABITIA AKUMULÁTORA

Pozrite Obr. D5

NÁVOD NA POUŽITIE

Začať

- !** **VAROVANIE!** Hlava kosačky pokračuje v otáčaní ešte chvíľu po zastavení kosačky. Počkajte preto, pokiaľ nedôjde k úplnému zastaveniu kosačky, a potom ju odložte. Najprv stlačte blokovaciu tlačidlo a potom stlačte spínač spínača, aby ste spustili stroj.

Pozrite Obr. E

ECO rýchlosť

Ak chcete predĺžiť dobu chodu, stlačte tlačidlo ECO a prepnete spúšť a stroj bude bežať nízkou rýchlosťou.

Pozrite Obr. F

Kosenie trávnikára

Pozrite Obr. G

Bump krmivo

Pozrite Obr. H

<p>Zostavenie a demontáž zastrihovacej hlavy Vložte šesťhranný kľúč do otvoru a otáčajte zastrihovaciu hlavu, kým sa nezastaví v zaistenej polohe. Potom ju vyberte otočením proti smeru hodinových ručičiek a potom ju zostavte otočením v smere hodinových ručičiek.</p>	<p>Pozrite Obr. I</p>
<p>Zastrihávač vinutia Krok 1: Odstráňte akumulátor z kosačky. Krok 2: Otočte hlavu kosačky v smere šípky, aby sa zarovnala s otvorom. Krok 3: Vložte strunu do otvoru (J2) a tlačte ju dovtedy, kým koniec struny nevystúpi z opačného otvoru. Krok 4: Strunu potiahnite z druhej strany tak, aby bola na oboch stranách hlavy kosačky rovnaká dĺžka struny (nie viac ako 2 metre na oboch stranách). Krok 5: Otočte hlavu, aby sa zaviedla struna. POZNÁMKA: Cievka musí byť navinutá vo vnútri vyžínacej hlavy. Cievka nesmie byť obalená niťou a potom namontovaná do vyžínacej hlavy.</p>	<p>Pozrite Obr. J1, J2, J3</p>

ALTERNÁTOR - STAVOVÉ LED KONTROLKY (Pozrite Obr. D5)

Pred spustením alebo po použití stlačte tlačidlo umiestnené na prístroji vedľa kontrolky napájania, aby ste skontrolovali kapacitu akumulátora. Počas prevádzky je kapacita akumulátora automaticky zobrazená na indikátore výkonu akumulátora. Indikátor neustále sníma a zobrazuje stav akumulátora nasledujúcim spôsobom. Pri zariadeniach s 2 akumulátory s rôznym výkonom indikuje kontrolka napájania stav spodného akumulátora.

Indikátor stavu nabitia akumulátora	Stav akumulátora
Svieti päť zelených kontroliek (■ ■ ■ ■ ■).	Dva akumulátory sú úplne nabité.

Svietia dve, tri alebo štyri zelené kontrolky.	Dva akumulátory sú ešte čiastočne nabité. Čím viac zelených kontroliek svieti, tým je vyššia zostávajúca kapacita nabitia.
Svieti iba jedna zelená kontrolka (■ □ □ □ □).	Najmenej jeden akumulátor je úplne vybitý a je nutné ho znovu nabiť.
Nesvieti žiadna kontrolka.	Najmenej jeden akumulátor nie je úplne nasadený, alebo je chybný.
Bliká iba jedna kontrolka dvakrát za sebou.	Najmenej jeden akumulátor je takmer vybitý (pozri indikátor stavu nabitia akumulátora). Pred opätovným použitím, alebo pred uskladnením nabitie súčasne oba akumulátory.
Bliká iba jedna kontrolka trikrát za sebou.	Najmenej jeden akumulátor je príliš zahriaty. Pred opätovným spustením zariadenia počkajte, až vychladne.
Bliká iba jedna kontrolka štyrikrát za sebou.	Náradie je preťažené. Odstráňte náradie z oblasti rezu a skúste to znova.

POKYNY NA OBSLUHU



VAROVANIE! Nabíjačka a batérie sú špeciálne určené na to, aby pracovali dohromady, a preto sa nepokúšajte o ich použitie s inými výrobkami. Nikdy nekladajte kovové predmety do nabíjačky alebo na kontakty batérie, pretože by došlo k poškodeniu zariadenia alebo úrazu elektrickým prúdom.

1. Systém na kŕmenie hrboliek (Pozrite Obr. H)

Zastrihávač je vybavený systémom nárazníkovej linky. Kedykoľvek sa dotknete hlavy zastrihovača, keď je stroj v prevádzke, vydá sa nová linka.

2. Zastrihávač vinutia (WA0201) (Pozrite Obr. J1, J2)

Preved'te náhradnú čiaru cez očko a posúvajte ju z druhej strany. Uistite sa, že oba konce drôtu sú rovné na koncoch zastrihovacej hlavy (odporúčané 2 m) a potom drôt prerušte. Otočte číselník v smere hodinových ručičiek, aby sa niť navinula na cievku, kým nezostane 19 cm doľava a doprava.

SKLADOVANIE VAŠEJ STRUNOVEJ KOSAČKY



Po použití vždy odpojte od strunovej kosačky batériu.

Uloženie STRUNOVEJ kosačky

Kosačka je vybavená závesnou štrbinou na zavesenie na stenu. (Pozrite Obr. K)
Skladujte na suchom mieste, kde budú kosačka aj akumulátor chránené pred poškodením.

5. ÚDRŽBA



Po použití vždy odpojte od strunovej kosačky batériu.

Pred použitím strunovej kosačky vždy skontrolujte, či nie je poškodená.

Pred vykonaním akéhokoľvek nastavovania, opráv a údržby odpojte brúsku od siete.
Vaše elektrické náradie nevyžaduje žiadne doplnkové mazanie alebo údržbu. Vo vašom náradí nie sú žiadne diely, ktorých opravu by mohol vykonávať používateľ. Nikdy nepoužívajte pri čistení vášho elektrického náradia vodu alebo chemické čistiace prostriedky. Utrite a očistite náradie suchou handričkou. Vždy ukladajte toto elektrické náradie na suchom mieste. Udržujte v čistote vetracie otvory motora. Udržujte v čistote všetky ovládacie prvky.

6. OCHRANA ŽIVOTNÉHO PROSTREDIA



Elektrické výrobky sa nesmú likvidovať spolu s domácim odpadom. Recyklujte v zberných miestach na tento účel zriadených. O možnosti recyklácie sa informujte na miestnych úradoch alebo u predajcu.

7. VYHLÁSENIE O ZHODE

My,
Positec Germany GmbH
Postfach 32 02 16, 50796 Cologne, Germany

Vyhlasujeme, že tento výrobok
Popis **Akumulátorová kosačka na trávu**
Typ **WG185E WG185E.X (1 - označenie stroja, predstavuje akumulátorový vyžinač trávy)**
Funkcie **Kosenie trávnikov a iných podobných mäkkých rastlín a úpravy okrajov trávnikov**

Zodpovedá nasledujúcim smerniciam:
2006/42/EC, 2014/30/EU, 2011/65/EU & (EU) 2015/863, 2000/14/EC v novelizácii 2005/88/EC

2000/14/EC v novelizácii 2005/88/EC:
- Postup vyhodnotenia zhody podľa **Dodatku VI**
- Meraný akustický výkon **92.5 dB (A)**

- Deklarovaný zaručený akustický výkon **96 dB (A)**

Poverený úradný organ
Názov: Intertek Deutschland GmbH (notifizierte Stelle 0905)
Adresa: Stangenstraße 1, 70771 LEINFELDEN-ECHTERDINGEN

Spĺňa posudzované normy,
EN 60335-1, EN 50636-2-91, EN 62233, EN ISO 3744, EN IEC 55014-1, EN IEC 55014-2, EN IEC 63000

Osoba oprávnená za zostavenie technického súboru,
Názov Marcel Filz
Adresa Positec Germany GmbH
Postfach 32 02 16, 50796 Cologne, Germany



2023/09/12
Allen Ding
Zástupca vrchnej konštrukčnej kancelárie,
Testovanie & Certifikácia
Positec Technology (China) Co., Ltd
18, Dongwang Road, Suzhou Industrial
Park, Jiangsu 215123, P. R. China

8. ODSTRÁNENIE PROBLÉMOV

V nasledujúcej tabuľke sú uvedené kontroly a činnosti, ktoré môžete vykonať, ak vaše zariadenie správne nefunguje.



UPOZORNENIE: Pred riešením akéhokoľvek problému vypnite zariadenie a odpojte batériu.


Symptóm	Možné príčiny	Nápravné činnosti
Strunová kosačka nepracuje.	Batéria je vybitá. Batéria je príliš horúca/studená. Motor je chybný. Vnútorne vodiče sú poškodené.	Nabite batériu. Takisto sa pozrite do príručky k nabíjačke batérie. Počkejte, až batéria vychladne/zahrejte ju. Obráťte sa na servisného zástupcu. Obráťte sa na servisného zástupcu.
Chod strunovej kosačky je prerušovaný.	Motor je chybný. Batéria nie je plne nabitá. Spínač je chybný.	Obráťte sa na servisného zástupcu. Nabite batériu. Obráťte sa na servisného zástupcu.
Nadmerné vibrácie/hluk.	Strunová kosačka je poškodená. Struna nie je správne navinutá.	Obráťte sa na servisného zástupcu. Znovu navíňte strunu. Pozrite časť „Vloženie cievky so strunou“.
Čas prevádzky na batériu je príliš krátky.	Batéria sa dlhší čas nepoužívala alebo sa nabíjala len krátko. Tráva je príliš vysoká. Batéria je chybná.	Plne nabite batériu. Takisto sa pozrite do príručky k nabíjačke batérie. Koste postupne. Vymeňte batériu.
Zariadenie nekosí.	Struna je pretrhnutá. Batéria nie je plne nabitá. Motor je chybný (rýchlosť je príliš nízka). V oblasti strunovej hlavy sa zachytila tráva.	Vymeňte strunu. Nabite batériu. Takisto sa pozrite do príručky k nabíjačke batérie. Obráťte sa na servisného zástupcu. Odstráňte trávu.
Trvalo svieti indikátor nabíjania batérie. Nabíjanie nie je možné vykonať.	Batéria nie je (správne) pripojená. Kontakty batérie sú znečistené. Batéria je chybná.	Vložte batériu do nabíjačky správne. Očistite kontakty batérie (napr. opakovaným pripojením a odpojením batérie) alebo batériu vymeňte. Vymeňte batériu.
Indikátor nabíjania batérie nesvieti.	Zástrčka nabíjačky batérie nie je (správne) pripojená. Sieťová zásuvka, napájaci kábel alebo nabíjačka batérie je chybná.	Pripojte zástrčku do sieťovej zásuvky (až na doraz). Skontrolujte sieťové napätie. Nechajte nabíjačku batérie skontrolovať autorizovaným servisným zástupcom.

KAZALO VSEBINE

1. VARNOST IZDELKA
2. SESTAVNI DELI
3. TEHNIČNI PODATKI
4. NAVODILA ZA UPORABO
5. VZDRŽEVANJE
6. VAROVANJE OKOLJA
7. IZJAVA O SKLADNOSTI
8. REŠEVANJE TEŽAV

Uporabniki si lahko elektronska navodila ogledajo na <https://eu.worx.com>.

1.VARNOST IZDELKA SPLOŠNA VARNOSTNA NAVODILA

 **OPOZORILO** Preberite vsa varnostna opozorila in navodila. Neupoštevanje opozoril in navodil lahko privede do električnega udara in/ali resnih poškodb.

Vsa opozorila in navodila si shranite za kasnejšo uporabo.

Napravo lahko uporabljate le, če imate na voljo tudi enoto za napajanje.

**POMEMBNO
PRED UPORABO OBVEZNO
PREBERITE
SHRANITE ZA KASNEJŠO
UPORABO**

Varna uporaba

1. Usposabljanje

- a) Pazljivo preberite navodila. Pred uporabo naprave se temeljito seznanite s pravili za njeno pravilno uporabo;
- b) Nikoli ne dovolite, da bi osebe, ki niso ustrezno seznanjene s temi navodili ali otroci uporabljali to napravo. Lokalni predpisi lahko tudi predpisujejo starost uporabnika naprave;
- c) Za nezgode ali škodo, povzročeno na drugih osebah ali njihovi lastnini, je odgovoren uporabnik ali lastnik.

2.Priprava

- a) Pred uporabo vedno vizualno preglejte napravo glede poškodb ter manjkajočih ali neustrezno nameščenih varoval in zaščit.
- b) Nikoli ne uporabljajte kosilnice z nitjo, ko se v neposredni bližini nahajajo osebe, še posebej otroci ali domače živali.

3.Uporaba

- a) Med uporabo naprave uporabljajte zaščito za oči, oblečene imejte dolge hlače in obute čvrste čevlje z nedrsečim podplatom.

- b) Pri slabih vremenskih pogojih, še posebej pri bližajoči nevihti, kosilnice z nitjo ne smete uporabljati.
- c) Travo strizite samo pri dnevni svetlobi ali dobri umetni osvetlitvi.
- d) Nikoli ne uporabljajte kosilnice z nitjo z manjkajočimi ali poškodovanimi pokrovi ali zaščitnimi pripravami ali če slednji niso pravilno nameščeni.
- e) Vrtno orodje vklopite samo, če se vaše roke in noge nahajajo v zadostni razdalji k rezilnim nožem.
- f) Napravo odklopite z vira napajanja (odstranite akumulator iz ležišča)
- 1) vedno, ko pustite vrtno orodje nekaj časa brez nadzora
 - 2) pred odstranjevanjem zagodenega dela;
 - 3) pred preverjanjem, čiščenjem ali delom na napravi;
 - 4) če ste z njo trčili ob oviro;
 - 5) kadar začne slednja neobičajno vibrirati.
- g) Pazite, da si z rezili ne poškodujete stopal ali dlani.
- h) Vedno poskrbite, da v prezračevalnih režah ne bo ostankov trave.
- i) Nikoli ne uporabljajte kovinskih rezilnih elementov z nitjo.
- j) Poskrbite, da boste vedno obuti tako, da boste med delom imeli stabilen položaj tudi na klančinah.
- k) med uporabo naprave hodite, nikoli ne tecite;
- l) Stojite trdno na tleh in vselej bodite v ravnotežju. Ne preobremenjujte se.
- m) Pred odstranitvijo akumulatorja iz ležišča ter preden se premikajoči se deli naprave popolnoma zaustavijo, se slednjih ne dotikajte.

4. Vzdrževanje in shranjevanje

- a) Pred vsakim vzdrževanjem ali čiščenjem, napravo odklopite z vira napajanja (akumulator odstranite iz ležišča).
- b) Nikoli ne uporabljajte nadomestnih delov ali dodatkov, ki jih ni priporočil proizvajalec.
- c) Napravo redno vzdržujte in pregledujte. Pustite, da se kosilnica z nitjo popravlja izključno v pooblaščenih servisnih delavnicah.
- d) Kadar ni v uporabi, jo hranite izven dosega otrok.

BATERIJSKA VARNOST VARNOSTNA OPOZORILA ZA

AKUMULATOR

a) Ne razstavljajte, odpirajte ali odstranjujte celic akumulatorja.

b) Pazite, da ne povzročite kratkega stika med kontaktoma akumulatorja. Akumulatorjev nikoli ne shranjujte v škatli ali predalu, kjer bi lahko prišlo do kratkega stika zaradi stika kontaktov s prevodnimi predmeti.

Kadar akumulator ni nameščen v orodju, ga hranite proč od drugih kovinskih predmetov, kot so sponke za papir, kovanci, ključi, žebliji, vijaki ali drugi drobni kovinski predmeti, ki bi lahko omogočili stik med kontaktoma. Če pride do stika med kontaktoma akumulatorja, to lahko povzroči požar.

c) Akumulatorja ne izpostavljajte vročini ali ognju. Poskrbite, da ne bo izpostavljen neposredni sončni svetlobi.

d) Akumulatorja ne izpostavljajte mehanskim udarcem.

e) Če opazite, da akumulator pušča, pazite, da tekočina

ne bo prišla v stik z očmi. Če akumulatorska tekočina vseeno pride v stik z očmi, izperite prizadeto območje z obilo vode in poiščite zdravniško pomoč.

f) Akumulator shranjujte na čistem in suhem mestu.

g) Če se akumulator zamaže, ga takoj očistite s čisto in suho krpo.

h) Akumulator morate pred uporabo napolniti. Pri polnjenju akumulatorja vedno upoštevajte predpisana navodila in postopke.

i) Če akumulatorja ne polnite, ga odstranite iz polnilca.

j) Po daljšem obdobju skladiščenja, boste za dosego maksimalne zmogljivosti akumulatorja verjetno morali slednjega nekajkrat napolniti in izprazniti.

k) Za polnjenje uporabljajte le polnilnike, ki jih je predpisal Worx. Nikoli ne uporabljajte polnilnikov, ki niso posebej namenjeni za polnjenje vašega akumulatorja.

l) Nikoli ne uporabljajte

polnilcev, ki niso posebej zasnovani za polnjenje vašega akumulatorja.

m) Akumulatorje shranjujte izven dosega otrok.

n) Za podrobnosti, si oglejte gradivo, ki je bilo priloženo akumulatorju.

o) Če orodja ne uporabljate, iz njega odstranite akumulator.

p) Akumulatorje odlagajte skladno s predpisi.

q) V napravi ne uporabljajte celic različnih proizvajalcev, zmogljivosti, velikosti ali tipa.

r) Baterije držite stran od mikrovalov in visokega tlaka.

SIMBOLI

	Preberite priročnik z navodili
	Prisotni naj bodo varno oddaljeni
	Uporabljajte zaščito za oči in ušesa

	Ne izpostavljajte dežju
	Odpadnih električnih naprav ne smete zavreči skupaj z ostalimi gospodinjskimi odpadki. Dostavite jih na mesto za ločeno zbiranje odpadkov. Glede podrobnosti, se posvetujte z lokalno službo za ravnanje z odpadki.
 Li-Ion 	Baterije Li-Ion Ta izdelek je označen s simbolom, ki se nanaša na 'ločeno zbiranje' za vse baterijske napajalnike in baterijski napajalnik. Nato bodo reciklirane ali razstavljene, da se zmanjša škodljiv vpliv na okolje. Baterijski napajalniki vsebujejo nevarne snovi in so zato lahko nevarni za okolje in za zdravje ljudi.
	Poskrbite, da boste pred menjavanjem dodatkov odstranili akumulator.
	Rezanje
	Prepovedano sežiganje.
	Če se baterije nepravilno odlaga, lahko vstopijo v vodni cikel, kar pa je lahko nevarno za ekosistem. Odpadnih baterij ne odlagajte v nesortirane komulane odpadke.

2. SESTAVNI DELI

1. **AKUMULATOR ***
2. **INDIKATOR NAPOLNJENOSTI AKUMULATORJA**
3. **ZGORNJI DEL ROČAJA**
4. **SPROŽILEC SPREMENLJIVE HITROSTI**
5. **ECO GUMB**
6. **ZGORNJI DEL ROČAJA**
7. **POMOŽNI ROČAJ**

8. SPAJANJE SPODNJEGA DELA ROČAJA

9. VAROVALO

10. REZILU NITKE


11. GLAVA ZA FINO NASTAVITEV (UDARNA GLAVA)

12. OZNAKA SPROSTITIVE

* Pri standardni dobavi niso vključeni vsi prikazani dodatki.

3. TEHNIČNI PODATKI

Tip **WG185E WG185E.X** (1-poimenovanje strojev, predstavnika brezžičnega rezalnika za travo)

	WG185E WG185E.X **
Napetost	40 V  MAX (2x20V MAX) ***
Št. vrt. brez obremenitve	6000/min
Premer rezanja vrtnice kosilnice	38cm
Premer nitke	2.4mm
Dolžina žice	Priporočljivo 4m (Dvojni izhod)
Teža orodja (Golo orodje)	2.87kg

** X = 1-999, A-Z, M1-M9 so samo za različne kupce, med temi modeli ni nobenih varnostnih sprememb.

*** Napetost je bila izmerjena brez obremenitve. Začetna napetost akumulatorja doseže maksimum 20 V. Običajna napetost je 18 V.

PRIPOROČENE BATERIJE IN POLNILNIKI

Kategorija	Vtipkajte	Zmogljivost
20V baterijo	WA3014	4.0Ah
	WA3644	4.0Ah
20V Polnilnik	WA3883	4.0A

Priporočamo, da pribor kupite v trgovini, kjer se orodje prodaja. Za več podrobnosti glejte paket

dodatne opreme. Osebe trgovine vam lahko pomagajo v svetuje.

PODATKI O HRUPU

Vrednotena raven zvočnega tlaka $L_{pA} = 78.4 \text{ dB(A)}$

K_{pA} 3 dB(A)

Vrednotena raven zvočne moči $L_{WA} = 92.5 \text{ dB(A)}$

K_{WA} 3 dB(A)

Uporabljajte zaščito za ušesa.




PODATKI O VIBRACIJAH

Tipična vrednotena raven vibracij $a_n < 2.5 \text{ m/s}^2$


Nezanesljivost meritve $K = 1.5 \text{ m/s}^2$

Deklarirano vrednost emisije vibracij lahko uporabite za primerjavo med strojčki, hkrati pa s pomočjo nje predvidite pričakovano raven izpostavljenosti.

 **OPOZORILO:** Dejanska vrednost emisije vibracij med uporabo strojčka, se lahko razlikuje od navedene, kajti nanjo vpliva tudi način uporabe strojčka, predvsem naslednje okoliščine: Način uporabe strojčka in materiali v katere vrtate ali vijačite.

Ali je strojček v dobrem stanju in ustrezno vzdrževan. Uporaba ustreznega dodatka in njegova brezhibnost. Čvrstost oprijema ročajev in morebitna uporaba dodatkov za zmanjševanje vibracij. Uporaba orodja za predviden namen, skladen s temi navodili.

Če strojčka ne uporabljate pravilno, lahko povzroči vibracijski sindrom zapestja in rok.


 **OPOZORILO:** Če želimo resnično natančno oceniti raven izpostavljenosti v dejanskih okoliščinah, moramo upoštevati tudi vse faze delovnega procesa, tudi število vklopov in izklopov strojčka ter čas, ko deluje v prostem teku in neobremenjeno. To lahko znatno zmanjša raven izpostavljenosti tekom celotnega delovnega procesa. Pomoč pri zmanjševanju tveganja pri izpostavljenosti vibracijam.

VEDNO uporabljajte le ostra dleta, svedre in rezila. Strojček vzdržujte skladno s temi navodili in poskrbite, da bo dobro namazan (kjer je potrebno). Če boste strojček uporabljali redno, potem investirajte v dodatke za zmanjševanje vibracij.

Delo si organizirajte tako, da boste opravila z visoko ravno vibracij izvajali v več fazah, tekom nekaj dni.

4. SESTAVLJANJE IN NAČIN UPORABE

DEJANJE	SLIKA
SESTAVLJANJE	
Sestavljanje pomožnega ročaja	Glejte sliko. A1, A2, A3
Odstranite čep za cev. OPOMBA: Preden sestavite palico, najprej na stroju odstranite zaščito čepa za cev.	Glejte sliko. B1
Sestavljanje droga	Glejte sliko. B2
Sestavljanje Varovala Kovinski nosilec vstavite v režo varnostne zaščite in nato pritrdite varnostno zaščito na mestu z vijaki in šesterokotnim ključem.	Glejte sliko. C
Odstranjevanje Ali Nameščanje Akumulatorja OPOMBA: • Kosilnica bo delovala le, če bosta v ležišču vstavljeni oba akumulatorja. vedno uporabljajte dva enaka akumulatorja in vedno ju tudi napolnite sočasno. • Če uporabljate dve akumulatorji z različnimi amper-urami ali stopnjo napoljenosti, bo stroj deloval z najnižjim skupnim imenovalcem. • Za boljšo zmogljivost in daljši čas delovanja je priporočljivo baterijo 4.0Ah ali višjo.	Glejte sliko. D1, D2
Preverjanje stanja napoljenosti akumulatorja OPOMBA: Slika E3 se nanaša le na akumulatorje z indikatorsko lučko.	Glejte sliko. D3
Polnjenje akumulatorja OPOMBA: • Akumulator je ob dobavi prazen. Pred prvo uporabo ga morate zato napolniti. • Akumulatorja, ki ju polnite skupaj, vedno napolnite do konca. Več podrobnosti si lahko ogledate v priročniku za polnilnik.	Glejte sliko. D4

Indikator napoljenosti akumulatorja na napravi Glejte podrobnosti v poglavju STANJE AKUMULATORJA	Glejte sliko. D5
NAČIN UPORABE	
Za začetek  OPAZORIL! Rezalna glava se tudi po sprostitvi stikala za vklop/izklop nekaj časa vrti; napravo zato odložite šele, ko se rezalna glava popolnoma zaustavi. Najprej pritisnite gumb za zaklepanje, nato pritisnite sprožilec stikala, da zaženete stroj.	Glejte sliko. E
ECO Hitrost Če želite podaljšati čas delovanja, pritisnite gumb ECO in preklopite sprožilec, stroj pa bo deloval z nizko hitrostjo.	Glejte sliko. F
Rezanje	Glejte sliko. G
Krhka krma	Glejte sliko. H
Sestavljanje in demontaža trimer glave V luknjo vstavite šestkotni ključ in zavrtite trimer glavo, dokler se ne zaskoči v zaklenjenem položaju. Nato ga odstranite tako, da ga zavrtite v nasprotni smeri urinega kazalca, nato pa ga sestavite tako, da ga zavrtite v smeri urinega kazalca.	Glejte sliko. I
Navijanje trimer linije Korak 1: Odstranite baterijski paket iz trimera. Korak 2: Zasučite glavo trimera v smeri puščice, da se poravna z okom. Korak 3: Vstavite vrvico v oko (J2) in potisnite vrvico, dokler konec vrvice ne izstopi iz nasprotnega očesa. Korak 4: Potegnite vrvico z druge strani, dokler se na obeh straneh glave trimera ne pojavijo enake dolžine vrvice (ne več kot 2 metra na obeh straneh). Korak 5: Zasučite glavo, da naložite vrvico. OPOMBA: Tuljava mora biti navita, medtem ko je znotraj glave trimera. Tuljave ne smete zaviti z navojem in jo nato namestiti v trimer glavo.	Glejte sliko. J1, J2, J3

STANJE AKUMULATORJA (Glejte Sliko D5)


Pred zagonom ali po uporabi pritisnite gumb ob indikatorski lučki napajanja na napravi, da preverite zmogljivost akumulatorja. Med uporabo indikator moči akumulatorja samodejno prikazuje zmogljivost akumulatorja.

Indikator stalno preverja in prikazuje stanje akumulatorja tako.

Pri napravah z 2 akumulatorjema z različno močjo indikator napajanja prikazuje stanje akumulatorja z nižjim od dveh akumulatorjev.

Indikator napolnenosti akumulatorja	Stanje akumulatorja
Sveti pet zelenih lučk (■ ■ ■ ■ ■).	Oba akumulatorja sta popolnoma napolnjena.
Svetita dve, tri ali štiri zelene lučke.	Akumulatorja sta še vedno delno polna. Več lučk sveti, bolj sta akumulatorja napolnjena.
Sveti le ena zelena lučka (■ □ □ □ □).	Vsaj en akumulator je izprazen in ga je potrebno napolniti.
Ne sveti nobena zelena lučka.	Najmanj eden od akumulatorjev ni do konca vstavljen ali je v okvari.
Le ena lučka utripne dvakrat na cikel.	Najmanj eden od akumulatorjev je prekomerno izprazen (preverite stanje akumulatorja), zato oba do konca napolnite in šele nato nadaljujte z delom ali ju shranite.
Le ena lučka utripne trikrat na cikel.	Najmanj eden od akumulatorjev se je pregrel, zato pred nadaljevanjem počakajte, da se ustrezno ohladi.
Le ena lučka utripne štirikrat na cikel.	Naprava je preobremenjena. Odstranite orodje z mesta rezanja in poskusite ponovno.

NAVODILA ZA UPORABO

 **OPOZORILO!** Polnilcev in akumulator sta posebej zasnovana za skupno delovanje, zato ne poskušajte uporabljati nobenih drugih polnilcev niti akumulatorjev. V polnilcev ali akumulator nikoli ne vstavljajte kovinskih predmetov, ker bi slednji lahko povzročili kratki stik ali druge okvare.

1. Sistem krmljenja v obliki črte (Glejte sliko H)

Trimer je opremljen s sistemom varovalnih vodov. Kadar se med delovanjem stroja dotaknete glave trimera, se prikaže nova vrstica.

2. Navijanje trimer linije (WA0201) (Glejte sliko J1, J2)

Zamenjajte črto skozi ušesno ploščico in jo nahranite z druge strani. Prepričajte se, da sta oba konca žice ravna na koncih obrezovalne glave (priporočljivo 2 m), nato pa odrežite žico. Obrnite gumb v smeri urinega kazalca, da navijete nit na klekljanju, dokler ne ostane 19 cm levo in desno.

SHRANJEVANJE REZALNIKA TRAVE



Po končani uporabi vedno odstranite akumulator iz ležišča.

Shranjevanje OBREZOVALNIKA

Obrezovalnik ima držalo za obešanje na steno. (Glejte Sliko K)

Shranjujte ga na suhem mestu, kjer je zavarovan pred poškodbami.

5. VZDRŽEVANJE



Po končani uporabi vedno odstranite akumulator iz ležišča.

Pred uporabo vedno preverite rezalnik glede poškodb.

Po vsaki uporabi odstranite akumulator iz ležišča in preverite napravo glede morebitnih poškodb. Vaša naprava ne zahteva dodatnega mazanja. Naprava tudi nima nobenih delov, ki bi jih morali servisirati. Za čiščenje strojčka nikoli ne uporabljajte vode ali kemičnih sredstev. Obrišite jo le s suho krpo. Napravo vedno shranjujte na suhem mestu. Poskrbite, da bodo prezračevalne odprtine čiste. Vsi elementi krmljenja morajo biti čisti, brez prahu.

6. VAROVANJE OKOLJA



Odpadnih električnih naprav ne smete zavreči skupaj z ostalimi gospodinjstvi odpadki.

Dostavite jih na mesto za ločeno zbiranje odpadkov. Glede podrobnosti, se posvetujte z lokalno službo za ravnanje z odpadki.

7. IZJAVA O SKLADNOSTI

Mi,
Positec Germany GmbH
Postfach 32 02 16, 50796 Cologne, Germany

Izjavljamo, da je izdelek,
Opis **Brezžični rezalnik za travo**
Vrsta **(1-poimenovanje strojev, predstavnika
brezžičnega rezalnika za travo)**
Funkcija **rezanje trave in podobne mehke vegetacije
ter obrezovanje robov**

skladen z naslednjimi direktivami,
**2006/42/EC, 2014/30/EU, 2011/65/EU&(EU)2015/863,
2000/14/EC spremenjena z 2005/88/EC**

2000/14/EC spremenjena z 2005/88/EC:
- Postopek za ugotavljanje skladnosti, glede na

Dodatek VI

- Izmerjena raven zvočne moči **92.5 dB (A)**
- Deklarirana raven zvočne moči **96 dB (A)**

Pristojni priglasitveni organ

**Ime: Intertek Deutschland GmbH (notifizierte
Stelle 0905)**

**Naslov: Stangenstraße 1, 70771
LEINFELDEN-ECHTERDINGEN**

in izpolnjuje naslednje standarde,
**EN 60335-1, EN 50636-2-91, EN 62233,
EN ISO 3744, EN IEC 55014-1, EN IEC 55014-2,
EN IEC 63000**

Oseba, ki je pooblaščenca za skladnost tehnične
dokumentacije,

Ime Marcel Filz

**Naslov Positec Germany GmbH
Grüner Weg 10, 50825 Cologne, Germany**



2023/09/12

Allen Ding

Namestnik načelnika inženir,

Testiranje in certificiranje

Positec Technology (China) Co., Ltd

18, Dongwang Road, Suzhou Industrial

Park, Jiangsu 215123, P. R. China

8.ODPRAVLJANJE NAPAK

V naslednji tabeli so odpisane napake in dejanja s katerimi jih lahko odpravite.



OPOZORILO: Pred odpravljanjem napak vedno najprej odstranite akumulator iz ležišča.


Napake	Morebitni vzroki	Dejanje za odpravo
Rezalnik ne deluje.	Akumulator je izprazen. Akumulator je prevroč/premrzel. Motor je v okvari. Napeljava naprave je poškodovana.	Napolnite akumulator; preverite vsebino navodil za polnilnik Pustite, da se akumulator ohladi/ogreje. Posvetujte se s serviserjem. Posvetujte se s serviserjem.
Rezalnik se med delovanjem sunkovito zaganja.	Motor je v okvari. Akumulator ni zadosti napolnjen. Stikalo za vklop/izklop je v okvari.	Posvetujte se s serviserjem. Napolnite akumulator. Posvetujte se s serviserjem.
Naprava oddaja prekomerne vibracije/hrup.	Naprava je v okvari. Vreteno nitke ni pravilno navito.	Posvetujte se s serviserjem. Ponovno navijte nitko na vreteno. Glejte "Pritrjevanje vretena z nitko".
Čas rezanja z napolnjenim akumulatorjem je prekratek.	Akumulatorja verjetno niste uporabljali dlje časa, oziroma ste ga polnili premalo časa. Trava je previsoka. Akumulator je v okvari.	Do konca napolnite akumulator; preverite vsebino navodil za polnilnik Režite v več nivojih. Zamenjajte akumulator.
Naprava ne reže.	Nitka je pretrgana. Akumulator ni zadosti napolnjen. Motor je v okvari (vrti se počasi). Trava se navija na rezalno glavo.	Zamenjajte nitko. Napolnite akumulator; preverite vsebino navodil za polnilnik Posvetujte se s serviserjem. Odstranite travo.
Zaporedno utripanje indikatorja za polnjenje akumulatorja. Polnjenje ni možno.	Akumulator ni (pravilno) vstavljen. Akumulator zaradi nečistoč nima ustreznega stika. Akumulator je v okvari.	Akumulator pravilno vstavite v ležišče. Očistite nečistoče ali (npr. z nekajkratno vstavitvijo ali odstranitvijo akumulatorja) zamenjajte akumulator. Zamenjajte akumulator.
Indikator polnjenja akumulatorja se ne vklopi.	Če polnilec ni (pravilno) priklopljen, ga priklopite. Okvara na vtičnici, napajalnem kablu ali polnilcu akumulatorja.	Napajalni kabel vstavite (do konca) v vtičnico. Preverite napetost napajanja; polnilec naj pregleda pooblaščen serviser.

ОГЛАВЛЕНИЕ

1. БЕЗОПАСНОСТЬ ПРОДУКТА
2. ПЕРЕЧЕНЬ КОМПОНЕНТОВ
3. ТЕХНИЧЕСКИЕ ДАННЫЕ
4. ИНСТРУКЦИИ ПО ЭКСПЛУАТАЦИИ
5. ТЕХНИЧЕСКОЕ ОБСЛУЖИВАНИЕ
6. ОХРАНА ОКРУЖАЮЩЕЙ СРЕДЫ
7. ДЕКЛАРАЦИЯ СООТВЕТСТВИЯ
8. УСТРАНЕНИЕ НЕИСПРАВНОСТЕЙ

Пользователи могут просмотреть электронные инструкции по адресу <https://eu.worx.com>.

1.ОРИГИНАЛЬНЫЕ ИНСТРУКЦИИ БЕЗОПАСНОСТЬ ПРОДУКЦИИ ОБЩИЕ ПРАВИЛА ТЕХНИКИ БЕЗОПАСНОСТИ

 **Предупреждение! Внимательно ознакомьтесь с инструкциями.**

Невыполнение всех нижеприведенных инструкций и рекомендаций может привести к поражению электрическим током, пожару и серьезным травмам.

Сохраните все предостережения и инструкции для

дальнейшего пользования.

**ВНИМАНИЕ!
ПЕРЕД НАЧАЛОМ ЭКСПЛУАТАЦИИ ВНИМАТЕЛЬНО ПРОЧИТАЙТЕ СОХРАНИТЕ ДЛЯ ДАЛЬНЕЙШЕГО ИСПОЛЬЗОВАНИЯ
Практика безопасной эксплуатации**

1.Тренировка

- а) Внимательно прочитайте инструкции. Ознакомьтесь с методами отстройки и правильного использования устройства.
- б) Никогда не позволяйте детям, лицам с ограниченными физическими, сенсорными или умственными способностями или с недостаточным опытом и знаниями или людям, не знакомым с данной инструкцией пользоваться данным устройством. Местное законодательство может определять возраст работника.
- с) Помните, что работник или пользователь несут ответственность за несчастные случаи

или риски, которые могут произойти с другими людьми или их имуществом.

2. Подготовка

- a) Before use, always visually inspect the machine for damaged, missing or misplaced guards or shields.
- b) Никогда не используйте устройство если рядом находятся люди, в особенности дети, и домашние животные.

3. ЭКСПЛУАТАЦИЯ

- a) Во время работы машины всегда надевайте защитные очки, длинные брюки и прочную обувь.
- b) Избегайте использования машины в плохих погодных условиях, особенно во время грозы, когда существует опасность попадания молний.
- c) Используйте машину только при дневном свете или при хорошем искусственном освещении.
- d) Никогда не используйте устройство с поврежденными защитными кожухами или ограждениями или без них.
- e) Включайте мотор только тогда, когда руки и ноги

находятся вдали от режущих элементов.

- f) Всегда отсоединяйте машину от источника питания (например, извлеките аккумуляторную батарею из машины):
 - При оставлении машины без присмотра;
 - Перед очисткой засоров в инструменте;
 - Перед выполнением проверки, очистки инструмента или его эксплуатацией;
 - После удара о посторонний предмет;
 - Всякий раз, когда машина начинает аномально вибрировать.
- g) Не допускайте контакта частей вашего тела с режущими компонентами триммера во избежание травм.
- h) Необходимо всегда следить за тем, чтобы вентиляционные отверстия были свободны от мусора.
- i) Запрещается устанавливать металлическую режущую струну.
- j) При работе на склонах необходимо всегда следить за устойчивостью своего положения.
- k) Перемещайтесь шагом, запрещается бежать при использовании триммера.
- l) Не следует слишком

тянуться при работе. Также необходимо все время поддерживать правильную стойку и баланс.

- m) Не прикасайтесь к движущимся опасным частям, пока триммер не будет отключен от сети и движущиеся опасные детали полностью не остановятся.

4.Обслуживание и хранение

- a) Отсоедините устройство от источника питания (например снимите батарею) перед проведением технического обслуживания или чистки.
- b) Используйте детали и запчасти для замены рекомендованные производителем.
- c) Регулярно осматривайте и проводите техническое обслуживание устройства. Производите ремонт устройства только у авторизированных ремонтных рабочих.
- d) Если не используете, храните в месте не доступном для детей.

ПРАВИЛА ТЕХНИКИ

БЕЗОПАСНОСТИ ДЛЯ АККУМУЛЯТОРНОЙ БАТАРЕИ

- a) Не разбирайте, не открывайте ячейки или батарейный блок.**
- b) Не замыкайте аккумуляторную батарею. Не храните беспорядочно аккумуляторы в коробке или ящике, где они могут замыкаться друг с другом или быть закорочены проводящими материалами.** Когда аккумулятор не используется, держите его подальше от других металлических предметов, таких как скрепки, монеты, ключи, гвозди, винты или другие мелкие металлические предметы, которые могут замкнуть контакты. Замыкание контактов аккумулятора может привести к ожогам или пожару.
- c) Не подвергайте аккумуляторную батарею воздействию тепла или огня. Избегайте попадания прямых солнечных**

- лучей.
- d) Не подвергайте аккумуляторную батарею механическим ударам.
 - e) В случае протекания батареи не допускайте контакта жидкости с кожей или глазами. Если жидкость контактировала с телом, промойте пораженный участок обильным количеством воды и обратитесь за медицинской помощью.
 - f) Держите аккумулятор в чистоте и сухом состоянии.
 - g) Протрите клеммы аккумуляторной батареи чистой сухой тканью, если они загрязнились.
 - h) Перед использованием батареи ее необходимо зарядить. Всегда обращайтесь к этой инструкции и используйте правильную процедуру зарядки.
 - i) Не храните аккумулятор в зарядном устройстве, когда он не используется.
 - j) После продолжительных периодов хранения может потребоваться несколько раз зарядить и разрядить аккумуляторную батарею, чтобы получить максимальную производительность.
 - k) Перезаряжайте только зарядным устройством, одобренным Kress. Не используйте зарядное устройство, отличное от того, которое специально предназначено для использования с оборудованием.
 - l) Не используйте батарейный блок, который не предназначен для использования с оборудованием.
 - m) Храните аккумулятор в недоступном для детей месте.
 - n) Сохраните оригинальную литературу по продуктам для дальнейшего использования.
 - o) Извлеките аккумулятор из оборудования, если он не используется.
 - p) Утилизируйте

надлежащим образом.
q) Не используйте с устройством элементы разного производства, емкости, размера или типа.

г) Держите батарею подальше от микроволновых печей и высокого давления.

УСЛОВНЫЕ ОБОЗНАЧЕНИЯ

	Прочитайте руководство по эксплуатации
	Держите посторонних на расстоянии
	Носите защиту органов зрения и слуха
	Не оставляйте под дождем или водой
	Литий-ионный аккумулятор Этот продукт был отмечен символом, связанным с «раздельным сбором» для всех батарейных блоков и батареи. Затем он утилизируется или раскреплен, чтобы уменьшить воздействие на окружающую среду. Батарейный блок могут быть вредны для окружающей среды и здоровья человека, поскольку они содержат вредные вещества.

	Отходы электротехнической продукции не следует утилизировать с бытовыми отходами. Они должны быть доставлены в местный центр утилизации для надлежащей переработки.
	Убедитесь, что аккумулятор извлечён, прежде чем менять аксессуары.
	Кошение травы
	Не поджигать
	При неправильной утилизации батареи могут попасть в водный цикл, что может быть опасным для экосистемы. Не выбрасывайте использованные батареи в несортированные бытовые отходы.


2. ПЕРЕЧЕНЬ КОМПОНЕНТОВ

1. **АККУМУЛЯТОРНЫЙ КОМПЛЕКТ ***
2. **ИНДИКАТОР ЗАРЯДА АККУМУЛЯТОРНОЙ БАТАРЕИ**
3. **КНОПКА БЛОКИРОВКИ**
4. **КУРКОВЫЙ ПЕРЕКЛЮЧАТЕЛЬ С РЕГУЛИРОВКОЙ СКОРОСТИ (ПЕРЕКЛЮЧАТЕЛЬ СКОРОСТИ)**
5. **КНОПКА ЕСО**
6. **ВЕРХНЯЯ ТРУБКА**
7. **ВСПОМОГАТЕЛЬНАЯ РУЧКА**
8. **НИЖНЯЯ ТРУБКА**
9. **ЩИТОК**
10. **ТРИММЕР**
11. **ГОЛОВКА ТРИММЕРА (С УДАРНОЙ ПОДАЧЕЙ)**
12. **ФИКСАТОР**

* Не все принадлежности, иллюстрированные или описанные включены в стандартную поставку.

3.ТЕХНИЧЕСКИЕ ДАННЫЕ

Type Designation: **WG185E WG185E.X (1-designation of machinery, representative of Cordless Grass Trimmer)**

	WG185E WG185E.X**
Напряжение	40 V  MAX (2x20V MAX) ***
Скорость без нагрузки	6000/min
Диаметр стрижки для триммера	38cm
Диаметр лески	2.4mm
Длина лески	Рекомендуется 4м (Двойной выход)
Вес инструмента (собственный)	2.87kg

** X=1-999,A-Z,M1-M9 используются только для разных инструментов. Безопасная соответствующая замена между данными моделями невозможна.

***Напряжение измерено без рабочей нагрузки. Первоначальное напряжение аккумулятора достигает максимум 20 В. Номинальное напряжение составляет 18 В.

РЕКОМЕНДУЕМЫЕ АККУМУЛЯТОРЫ И ЗАРЯДНЫЕ УСТРОЙСТВА

Категория	Тип	Ёмкость
Аккумулятор 20В	WA3014	4.0 Ah
	WA3644	4.0 Ah
Зарядное устройство 20 В	WA3883	4.0 A

Мы рекомендуем Вам приобрести насадки в том же магазине, в котором вы приобрели инструмент. Подробную информацию можно найти на упаковке насадки. Персонал магазина может помочь вам и дать совет.

ДАННЫЕ О ШУМЕ

Условное звуковое давление $L_{pA} = 78.4 \text{ dB(A)}$

K_{pA} 3 dB(A)

Удельная мощность звука $L_{WA} = 92.5 \text{ dB(A)}$

K_{WA} 3 dB(A)

Носите защиту для ушей



ИНФОРМАЦИЯ О ВИБРАЦИИ

Типичная вибрация	$a_h < 2.5 \text{ m/s}^2$
	Погрешность $K=1.5 \text{ m/s}^2$

Заявленное значение вибрации может использоваться для сравнения одного инструмента с другим

⚠ ПРЕДУПРЕЖДЕНИЕ. Значение вибрации при фактическом использовании электроинструмента может отличаться от заявленного значения в зависимости от того, как инструмент используется:

Как используется инструмент
Инструмент находится в хорошем состоянии и ухожен

Используйте правильный аксессуар для инструмента и убедитесь, что он острый и в хорошем состоянии.

Плотность захвата на ручках при использовании любых антивибрационных аксессуаров.

Инструмент используется в соответствии с его конструкцией и этими инструкциями.

Этот инструмент может вызвать синдром вибрации руки, если его использование недостаточно эффективно.


⚠ ПРЕДУПРЕЖДЕНИЕ. Чтобы быть точным, оценка уровня воздействия в реальных условиях использования должна также учитывать все части рабочего цикла, такие как время, когда инструмент выключен и когда он работает на холостом ходу, но не выполняет работу, Это может значительно снизить уровень воздействия за весь рабочий период и помогает минимизировать риск вибрации.

Обслуживайте этот инструмент в соответствии с этими инструкциями и хорошо смазывайте (при необходимости)

Если инструмент следует использовать регулярно, то приобретите антивибрационные аксессуары.

4. ИНСТРУКЦИИ ПО ЭКСПЛУАТАЦИИ

ДЕЙСТВИЕ	РИСУНОК
сборка	
Установка вспомогательной рукоятки	См. Рис. A1, A2, A3
Снятие трубной заглушки ПРИМЕЧАНИЕ: Перед сборкой шеста сначала снимите фиксатор трубной заглушки.	См. Рис. B1
Сборка столба	См. Рис. B2
Сборка щитка Вставьте металлический кронштейн в паз на щитке, затем закрепите его на месте с помощью винта и шестигранного ключа.	См. Рис. C
Установка и извлечение аккумуляторной батареи ПРИМЕЧАНИЕ: • Эта машина будет работать только тогда, когда будут установлены 2 аккумулятора. Рекомендуется использовать одну и ту же пару и заряжать аккумуляторы одновременно. • Если используются два аккумулятора с разным временем работы в ампер-часах или разным уровнем заряда, аппарат будет демонстрировать наименьший уровень производительности. • Рекомендуется использовать аккумулятор ёмкостью 4,0 А/ч или выше для повышения производительности и увеличения времени работы.	См. Рис. D1, D2

Проверка уровня зарядки аккумулятора ПРИМЕЧАНИЕ: Рис. E3 относится только к аккумуляторному блоку со световым индикатором батареи.	См. Рис. D3
Зарядка аккумуляторной батареи ПРИМЕЧАНИЕ: • Батарея поставляется незаряженной. Перед первой эксплуатацией необходимо полностью зарядить батарею. • Всегда полностью заряжайте две батареи одновременно. Больше информации модно получить в инструкции к зарядному устройству	См. Рис. D4
Индикатор питания батареи на машине Подробности в разделе ЗАРЯД БАТАРЕИ	См. Рис. D5
ЭКСПЛУАТАЦИЯ	
Чтобы начать работу  ВНИМАНИЕ! Режущая головка продолжает вращаться даже после выключения триммера; подождите, пока она полностью не остановится, затем положите инструмент. Сначала нажмите кнопку блокировки, затем нажмите рычажок переключения, чтобы запустить машину.	См. Рис. E
Скорость ECO Для длительных рабочих сессий нажмите кнопку ECO, затем рычажок переключения, после чего машина начнёт работать на низкой скорости.	См. Рис. F
Кошение травы	См. Рис. G
Ударная подача	См. Рис. H
Сборка и извлечение головки триммера Вставьте шестигранный ключ в отверстие и вращайте головку триммера до упора в зафиксированном положении. Затем поверните против часовой стрелки, чтобы снять её, и по часовой стрелке, чтобы собрать.	См. Рис. I

<p>Намотка лески триммера Шаг 1: Извлеките аккумулятор из триммера. Шаг 2: Поверните головку триммера в направлении стрелки так, чтобы она выровнялась с отверстием для закрепления лески. Шаг 3: Вставьте леску в соответствующее отверстие (J2) и проталкивайте вперед, пока конец лески не выйдет из противоположного отверстия. Шаг 4: Потяните леску с другой стороны так, чтобы с обеих сторон головки триммера леска была равной длины (не более 2 метров с каждой стороны). Шаг 5: Поверните головку, чтобы загрузить леску.</p> <p>ПРИМЕЧАНИЕ: Намоточный барабан должен крутиться внутри головки триммера. Леска не может сначала быть намотана на барабан, который затем уже будет установлен в головку триммера.</p>	<p>См. Рис. J1,J2,J3</p>
---	--------------------------

СОСТОЯНИЕ БАТАРЕИ (См. Рис. D5)

Перед началом или после использования нажмите кнопку рядом с индикатором питания на машине, чтобы проверить заряд аккумуляторной батареи. Во время работы заряд батареи будет автоматически указываться индикатором заряда. Индикатор постоянно детектирует и отображает состояние батареи следующим образом. Для машины с 2 аккумуляторными батареями разной мощности на индикаторе питания отображается состояние батареи с наименьшей мощностью.

Статус индикатора	Состояние батареи
Горят пять зеленых индикаторов (■ ■ ■ ■ ■)	Две батареи находятся в полностью заряженном состоянии.
2, 3, или 4 лампы горят.	Чем больше горит ламп, тем больше емкость аккумулятора.
1 лампа (■ □ □ □ □) горит.	По меньшей мере одна батарея разряжена и должна быть заряжена.

Лампы не горят.	Как минимум одна батарея плохо установлена или неисправна.
Одна лампа мигает дважды за цикл	По крайней мере, одна батарея разряжена, пожалуйста, перезарядите две батареи сразу перед повторным использованием или хранением.
Одна лампа мигает трижды за цикл.	По крайней мере, одна батарея горячая, дождитесь их охлаждения до начала повторного запуска.
Четыре лампы мигают дважды за цикл.	Машина перегружена. Поднимите высоту покоса или медленно опускайте.

ИНСТРУКЦИЯ ПО ЭКСПЛУАТАЦИИ



Внимание! Зарядное устройство и аккумулятор специально разработаны для совместной работы, поэтому не пытайтесь использовать какие-либо другие устройства. Никогда не вставляйте и не допускайте попадания металлических предметов в зарядное устройство или аккумулятор, это может привести к повреждению оборудования и возникновению опасных ситуаций.

1. Система ударной подачи питания (См. Рис. H)

Триммер оснащён ударной системой подачи. Просто ударьте головку триммера, пока машина работает, после этого будет сразу же выведена новая леска.

2. Намотка лески триммера (WA0201)(См. Рис. J1,J2)

Вставьте леску замены через ушко и пропустите ее через другую сторону. Убедитесь, что оба конца лески равны на каждом конце головки триммера (Рекомендуется 2 м), затем обрежьте леску. Поверните шкалу по часовой стрелке, чтобы намотать леску на барабан, пока не останется около 19 см с обеих сторон.

ХРАНЕНИЕ ТРИММЕРА



Всегда извлекайте аккумуляторную батарею из аппарата после использования.

Для хранения триммера

Триммер оснащен специальным приспособлением для хранения на стене (См. Рис. К)

Храните машину в сухом месте, так чтобы предотвратить возможную порчу триммера или аккумуляторной батареи.

5.ТЕХНИЧЕСКОЕ ОБСЛУЖИВАНИЕ

 **Всегда извлекайте аккумуляторную батарею из аппарата после использования**


Перед использованием всегда проверяйте машину на наличие повреждений.

После использования извлеките аккумулятор и проверьте машину на наличие повреждений. Электроинструмент не требует дополнительной смазки или обслуживания.

В электроинструменте отсутствуют детали, подлежащие обслуживанию пользователем.

Никогда не используйте воду или химические чистящие средства для чистки электроинструмента. Протирайте его сухой тканью. Всегда храните электроинструмент в сухом месте. Содержите в чистоте вентиляционные отверстия двигателя. Очищайте от пыли все рабочие органы управления.

6.ОХРАНА ОКРУЖАЮЩЕЙ СРЕДЫ

 Отходы электротехнической продукции не следует утилизировать с бытовыми отходами. Они должны быть доставлены в местный центр утилизации для надлежащей переработки.

7.ДЕКЛАРАЦИЯ СООТВЕТСТВИЯ

Мы,
Positec Germany GmbH
Postfach 32 02 16, 50796 Cologne, Germany

Заявляем, что продукт,
Марки **Беспроводный триммер**
Типа **WG185E WG185E.X (1-обозначение оборудования, типичное для триммера/кустореза)**
Function **стрижка травы и аналогичной мягкой растительности и для стрижки краев травы**

Соответствует положениям Директив,

**2006/42/EC, 2014/30/EU
2011/65/EU&(EU)2015/863,
2000/14/EC изменена2005/88/EC**

2000/14/EC изменена 2005/88/EC:
-- Процедура оценки соответствия в соответствии с **Annex VI**
- Измеренный уровень звуковой мощности **92.5dB (A)**
- Заявленный гарантированный уровень звуковой мощности **96 dB(A)**

Уведомленный орган вовлеченный
имя: **Intertek Deutschland GmbH (notifizierte Stelle 0905)**

Адрес: **Stangenstraße 1, 70771
LEINFELDEN-ECHTERDINGEN**

И стандартам
**EN 60335-1, EN 50636-2-91, EN 62233,
EN ISO 3744, EN IEC 55014-1, EN IEC 55014-2,
EN IEC 63000**

Лицо с правом компилирования данного технического файла,

имя **Marcel Filz**
Адрес **Positec Germany GmbH
Postfach 32 02 16, 50796 Cologne, Germany**



2023/09/12
Allen Ding
Заместитель главного инженера, Тестирование и сертификация
18, Dongwang Road, Suzhou Industrial Park, Jiangsu 215123, P. R. China

8. ВЫЯВЛЕНИЕ И УСТРАНЕНИЕ НЕИСПРАВНОСТЕЙ

В следующей таблице приведены проверки и действия, которые вы можете выполнить, если ваше оборудование работает неправильно.



ПРЕДОСТЕРЕЖЕНИЕ: Выключите снегоочиститель и извлеките аккумулятор перед проверкой на наличие любых неисправностей.

ПРОБЛЕМА	ВОЗМОЖНАЯ ПРИЧИНА	РЕШЕНИЕ
Триммер не работает	Батарея разряжена Батарея слишком горячая/холодная Двигатель вышел из строя Повреждена скрытая проводка.	Зарядить аккумулятор; см. также содержание руководства по эксплуатации зарядного устройства. Дайте остыть/нагреться. Обратитесь к специалисту сервисного центра.
Триммер работает сперерывами.	Двигатель вышел из строя. Аккумулятор заряжен не полностью. Сломан переключатель Вкл./Выкл.	Обратитесь к специалисту сервисного центра. Повторно зарядите аккумулятор Обратитесь к специалисту сервисного центра.
Чрезмерная вибрация/шум	Машина неисправна. Леска триммера плохо намотана.	Обратитесь к специалисту сервисного центра. Повторно намотайте леску. См. «Сборка барабана и намотка лески»'
Время работы от аккумулятора слишком мало.	Аккумулятор не использовался длительный срок или заряжался только в течение короткого времени. Трава очень высокая. Аккумулятор неисправен.	Полностью зарядите аккумулятор; см. также содержание руководства по эксплуатации зарядного устройства. Косите траву поэтапно. Замените аккумулятор.
Машина не подстригает траву.	Порвалась леска. Аккумулятор заряжен не полностью. Двигатель неисправен (крайне низкая скорость). Трава наматывается на режущую головку.	Замените леску. Повторно зарядите аккумулятор; см. также содержание руководства по эксплуатации зарядного устройства. Обратитесь к специалисту сервисного центра. Удалите траву.
Индикатор зарядки аккумулятора горит постоянно. Невозможно зарядить аккумулятор	Аккумулятор не вставлен (вставлен неправильно) на место. Контакты аккумулятора загрязнены. Аккумулятор неисправен.	Вставьте аккумулятор в зарядное устройство надлежащим образом. Очистите контакты аккумулятора или замените его. Замените аккумулятор.
Индикатор зарядки аккумулятора не горит.	Штекер зарядного устройства не подключён (подключён неправильно). Розетка, сетевой кабель или зарядное устройство неисправны.	Вставьте сетевой штекер (полностью) в розетку. Проверьте сетевое напряжение; Проверьте зарядное устройство у аттестованного специалиста службы гарантийного и постгарантийного обслуживания.

СТРАНА ТЕЛЕФОН ТЕХПОДДЕРЖКИ

Россия 7 (495) 136-83-96



EAC

Импортер: ООО «КВТ Эксперт»

Адрес: Россия, Москва, 119607, проспект Мичуринский, дом 31, корпус 7, помещение 40/2

Телефон: +7 (495) 107-02-72

Электронная почта kvt@kvt-service.ru

Страна производства: КНР

Изготовитель: Позитек Технолоджи (КНР) Ко., Лтд.

Адрес: Номер 18, Донванг Роуд, Сучжоу Индастриал Парк, Цзянсу, КНР

Срок службы изделия: 6 лет

Срок гарантии: 2 года

Дата производства изделия: указана на изделии

Уполномоченное лицо для принятия претензий: ООО «ПОЗИТЕК-ЕВРАЗИЯ»

Адрес: Российская Федерация, 117342, г. Москва, ул. Бутлерова, д. 17, этаж 3 ком 67

Телефон сервисной службы ООО «ПОЗИТЕК-ЕВРАЗИЯ»: +7 (495) 136-83-96

Электронная почта service.ru@positecgroup.com

WORX NITRO

www.worx.com

Copyright © 2023, Positec. All Rights Reserved.
AR01650904

Аккумуляторный триммер

RU