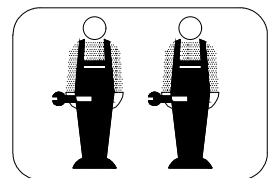
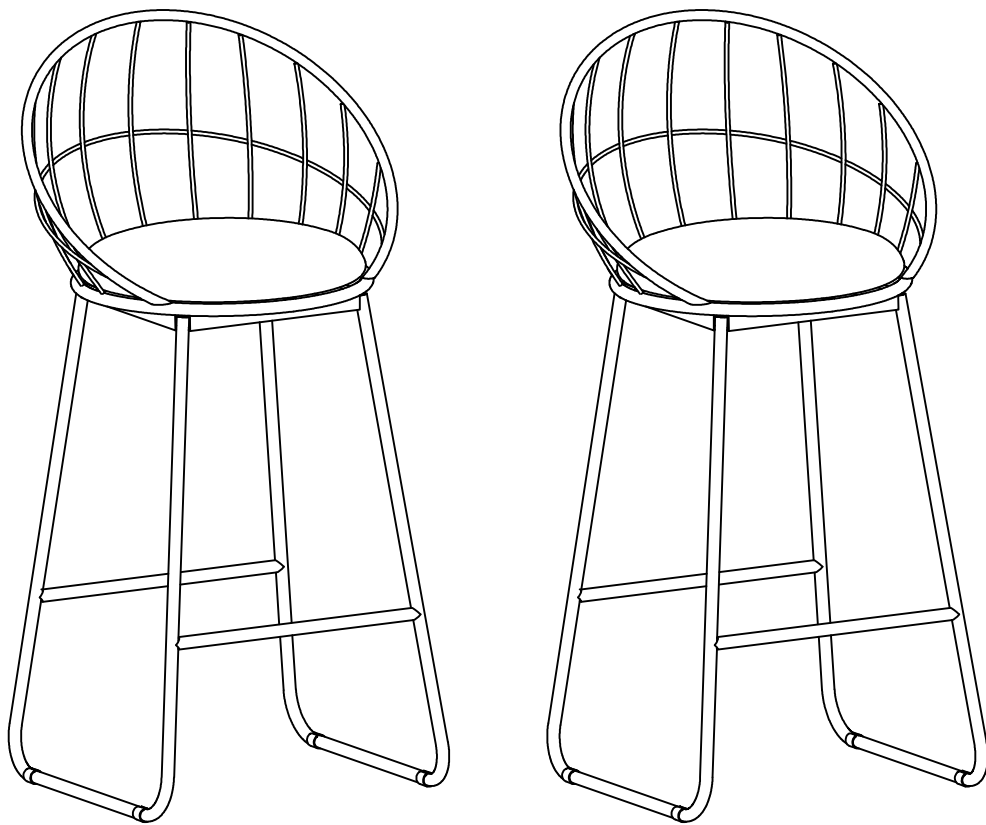
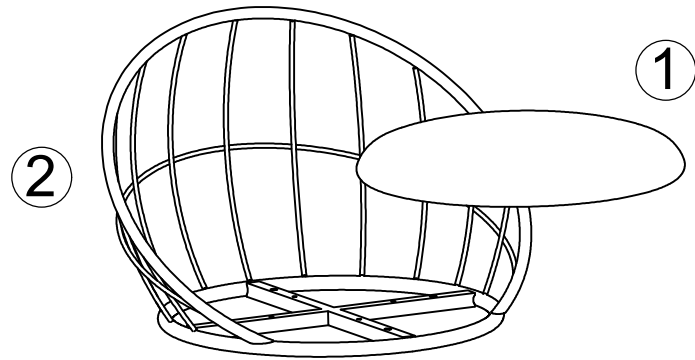


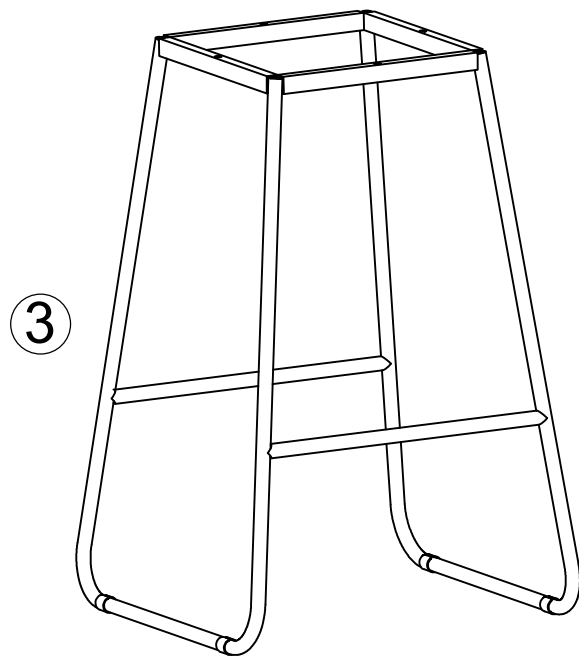
ASSEMBLY INSTRUCTIONS

WF311484AA0








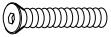
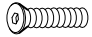

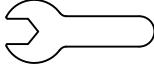

x2




Part List

		
①×2pcs	②×2pcs	③×2pcs

Hardware List

 M6×45mm	 M6×30mm	 M6		
Ⓐ×8pcs	Ⓑ×8pcs	Ⓒ×8pcs	Ⓓ×1pc	Ⓔ×1pc

Step 1

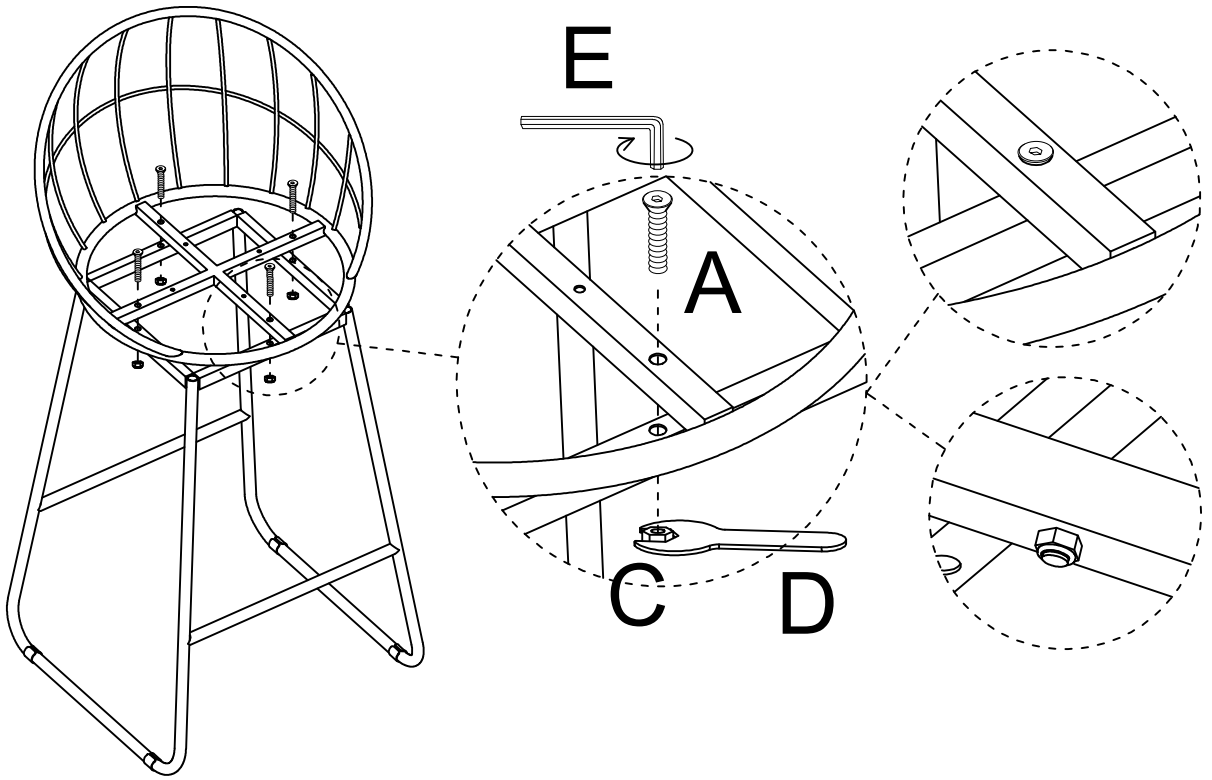

M6×45mm

(A)×8pcs

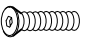

M6

(C)×8pcs

x2

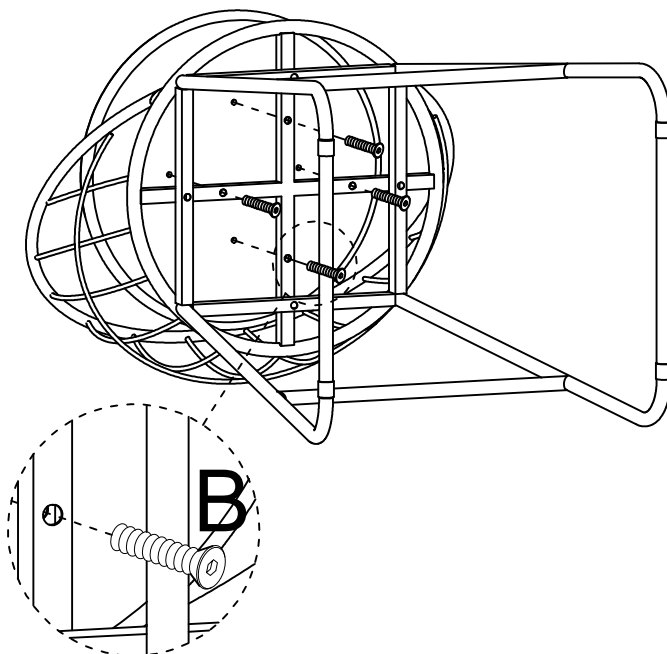


Step 2


M6×30mm

(B)×8pcs

x2



Step 3

