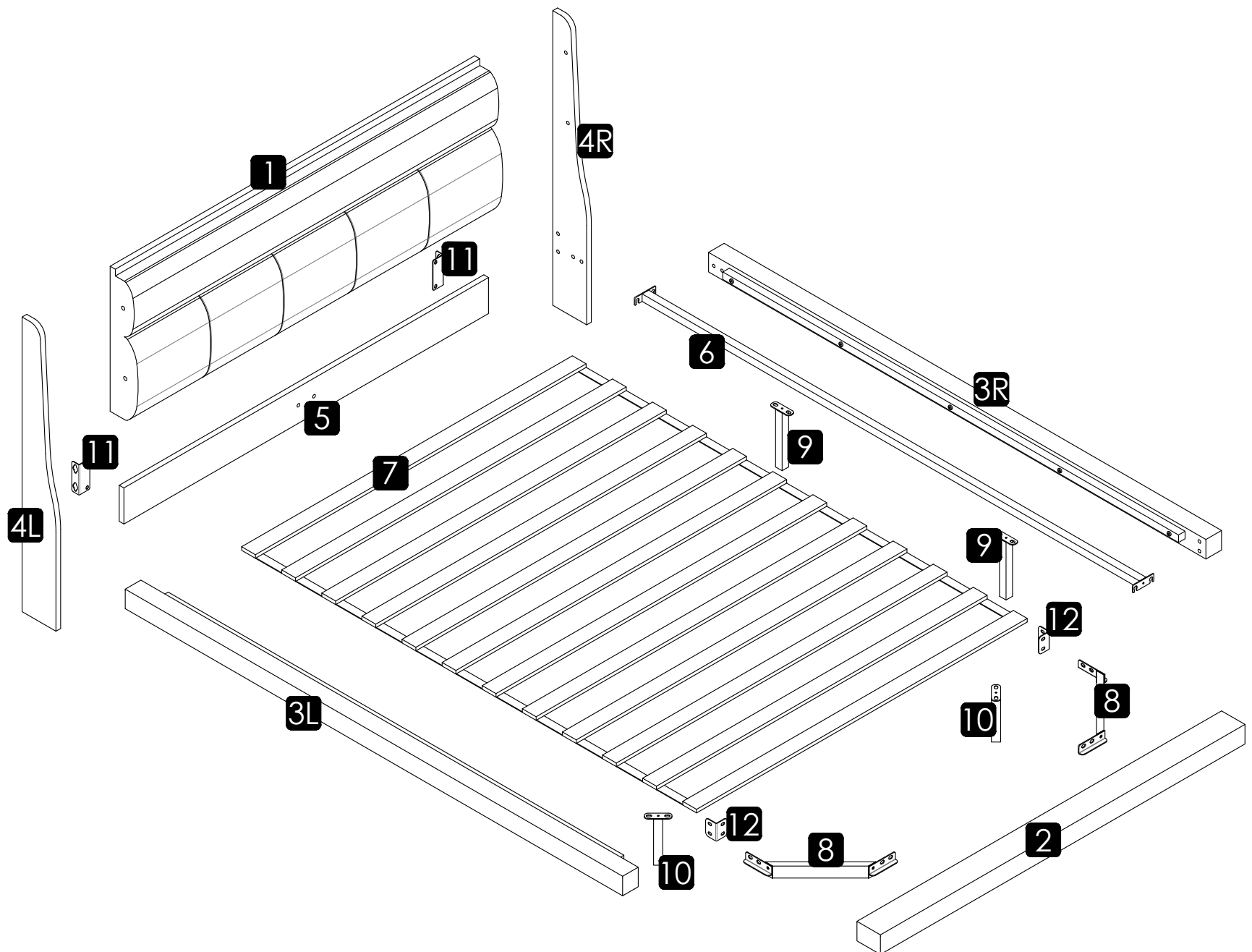
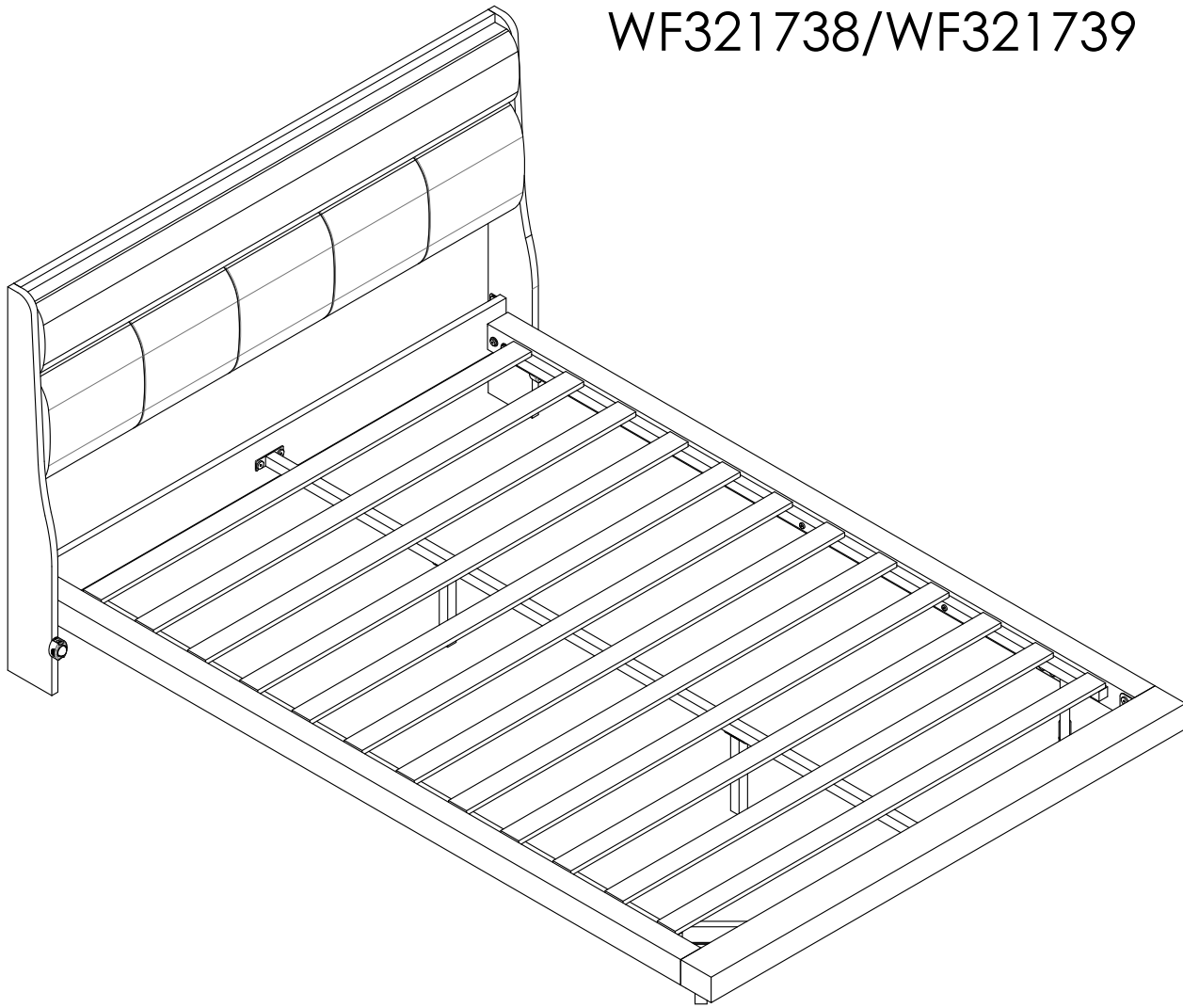


ASSEMBLY INSTRUCTION

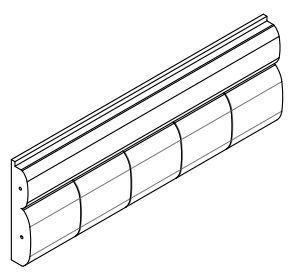
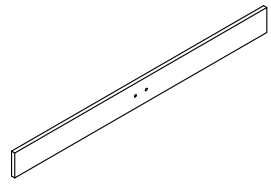
WF321718/WF321720
WF321738/WF321739

TIPS

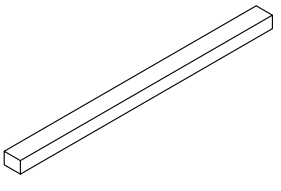
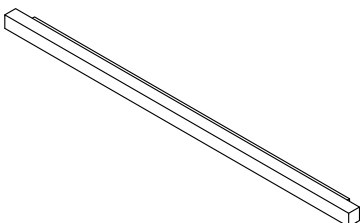
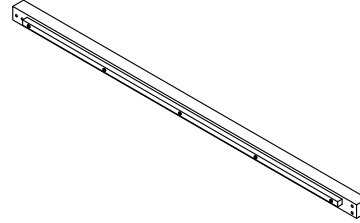


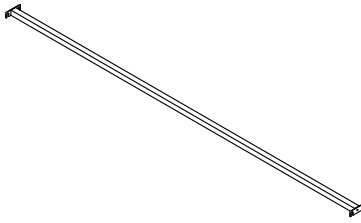
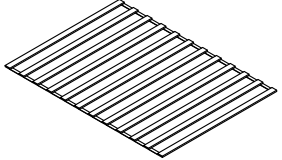
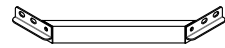
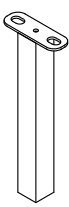
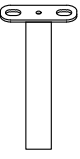
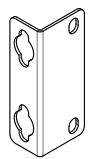
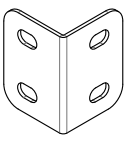
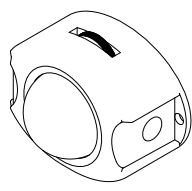
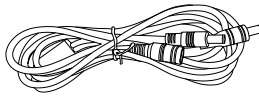
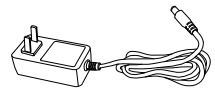
1. Please read the instructions fully before assembly. These instructions include important information which could ensure correct assembly. We have been working on providing high quality products for you. However, in the rare instance that your product is defective, missing parts or there are some issues, please don't hesitate to contact our customer service to submit parts requirements, assembly suggestion, or warranty claims, and we will give the best solution as soon as possible. If necessary, we need you to provide some more clear pictures of the issue.
2. Insert the screws in holes and tighten the screws, but not too tight, 70%~80% is ok, finally tighten all the screws. If some issues happened that some screws can not target to the hole or some parts are difficult to install, please adjust the tightness of the screws.
3. 2 people are recommended to finish.



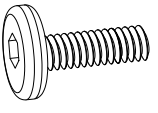
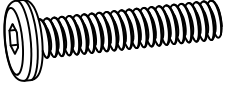
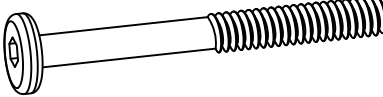
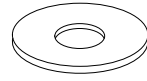
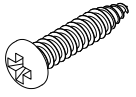
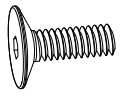

Part List -WF321718/WF321738

<p>1</p>  <p>Headboard X1</p>	<p>5</p>  <p>Connecting plate X1</p>
---	--




Part List -WF321720/WF321739

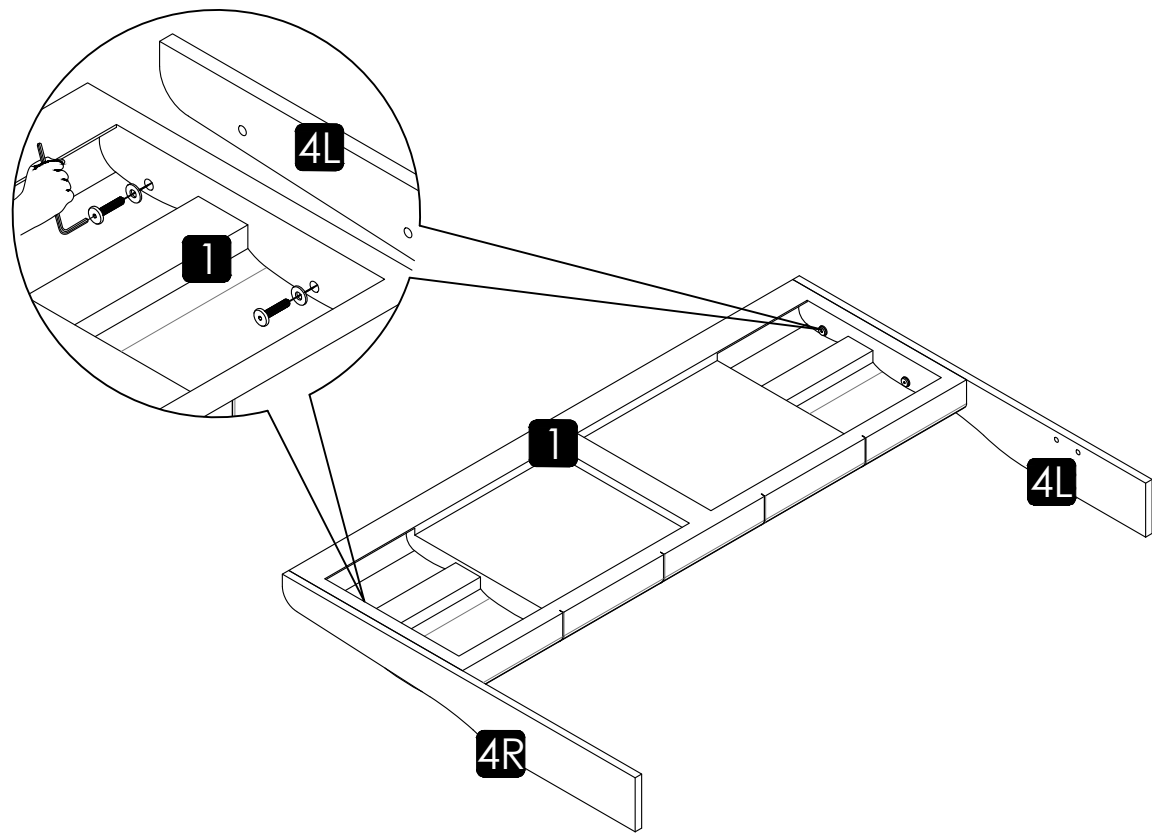
<p>2</p>  <p>Footboard X1</p>	<p>3L</p>  <p>Side Rail - LH X1</p>	<p>3R</p>  <p>Side Rail - RH X1</p>	<p>4L</p>  <p>Bedhead column X1</p>	<p>4R</p>  <p>Bedhead column X1</p>
<p>6</p>  <p>Central Support Rail X1</p>	<p>7</p>  <p>Slat X1</p>	<p>8</p>  <p>Connecting pipe X2</p>	<p>9</p>  <p>Leg X2</p>	<p>10</p>  <p>Leg X2</p>
<p>11</p>  <p>Angle iron X2</p>	<p>12</p>  <p>Angle iron X2</p>	<p>13</p>  <p>Induction switch X2</p>	<p>14</p>  <p>Series line X1</p>	<p>15</p>  <p>LED Power Transformer X1</p>

Hardware List-WF321720/WF321739

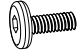

 <p>A M8x20mm Bolt 32pcs</p>	 <p>B M8x35mm Bolt 4pcs</p>	 <p>C M8x80mm Bolt 4pcs</p>	 <p>D Flat Washer 8pcs</p>	 <p>E Screw (M3x15mm) 4pcs</p>
 <p>F M8x18mm Bolt 4pcs</p>	 <p>L Allen Key 1pc</p>			

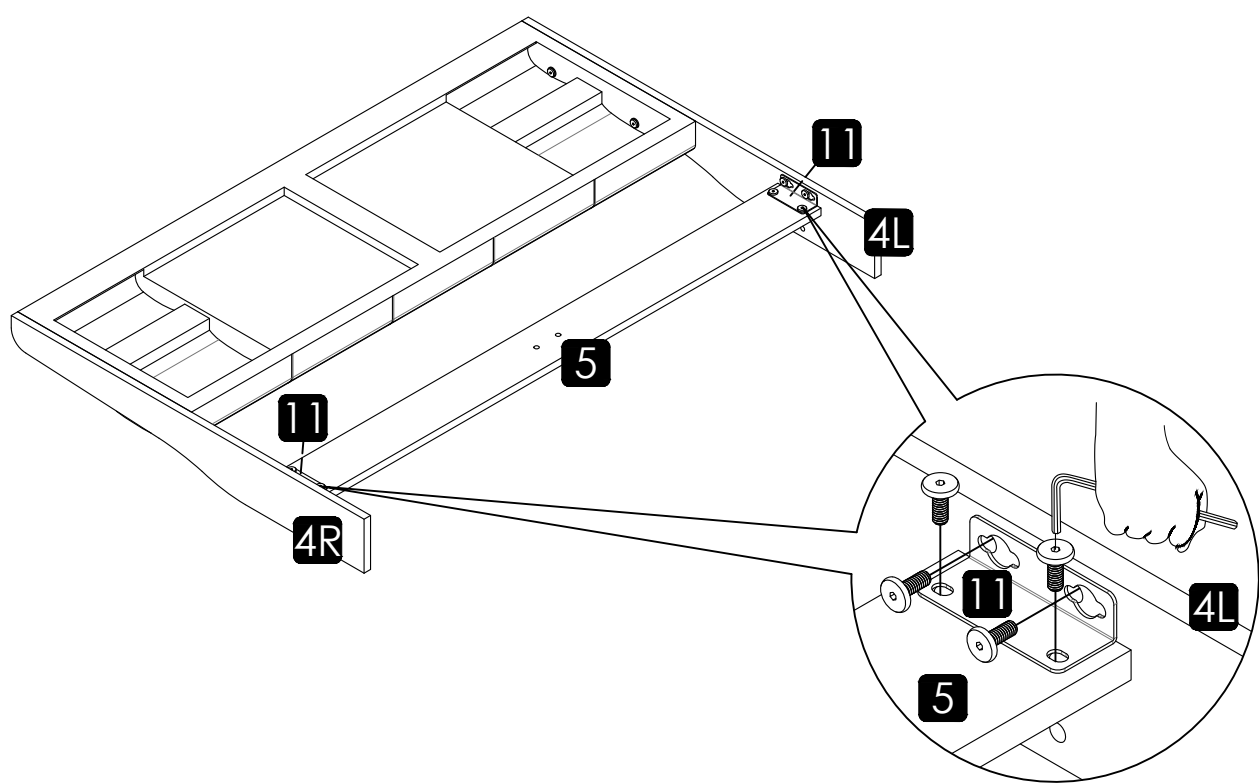
Step 1

- B**  4pcs
- D**  4pcs
- L**  1pc





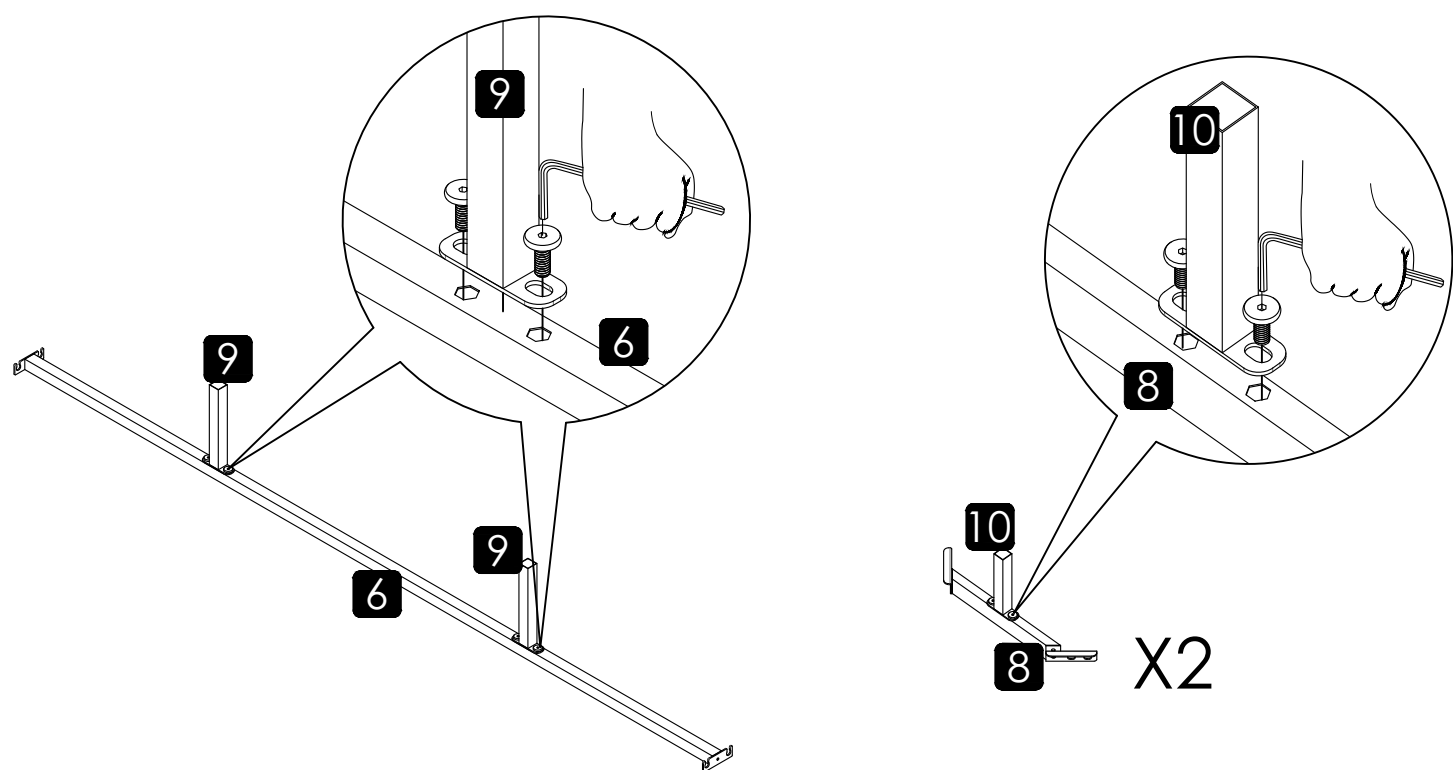
Step 2

- A**  8pcs
- L**  1pc

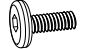



Step 3

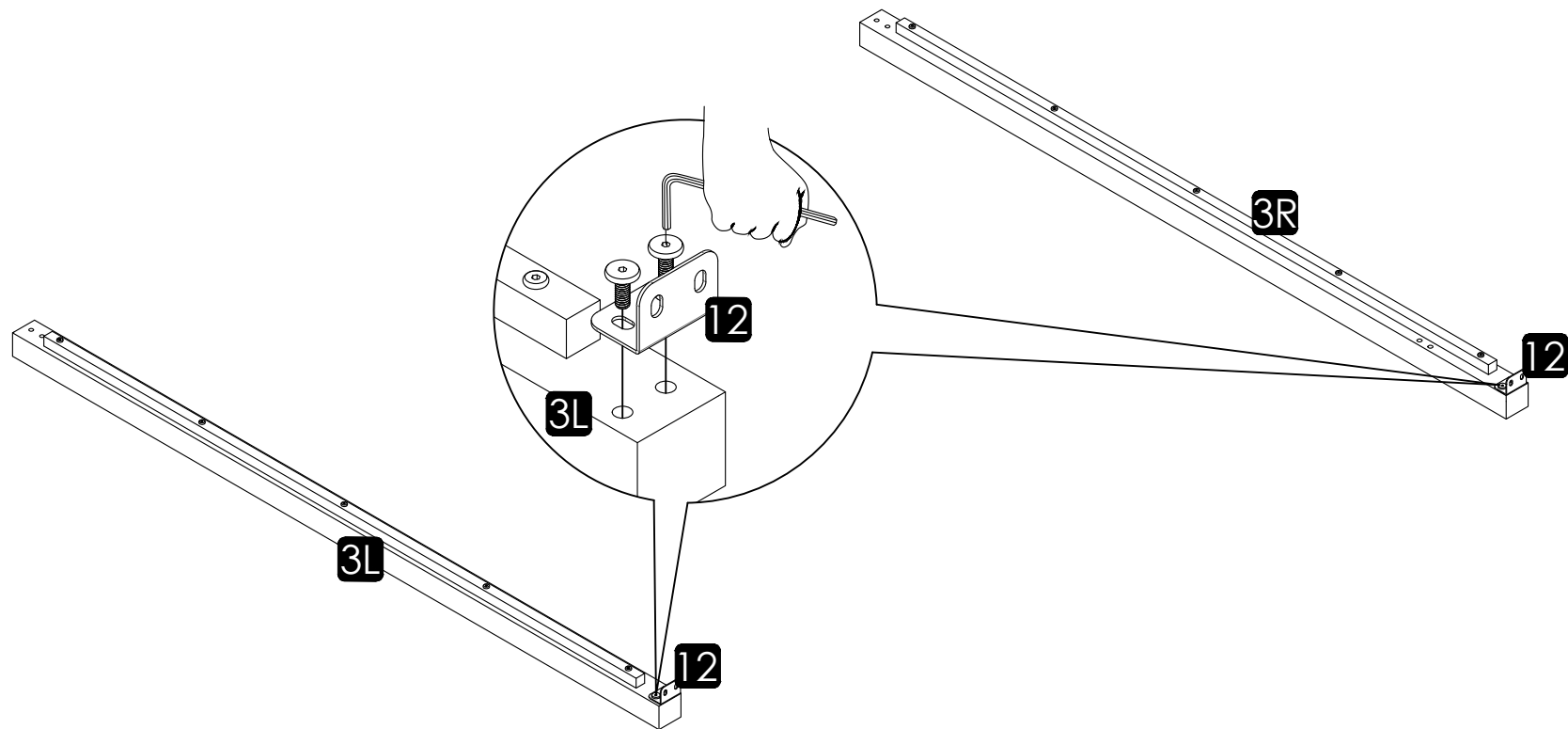
- A**  8pcs
- L**  1pc




Step 4


A  4pcs

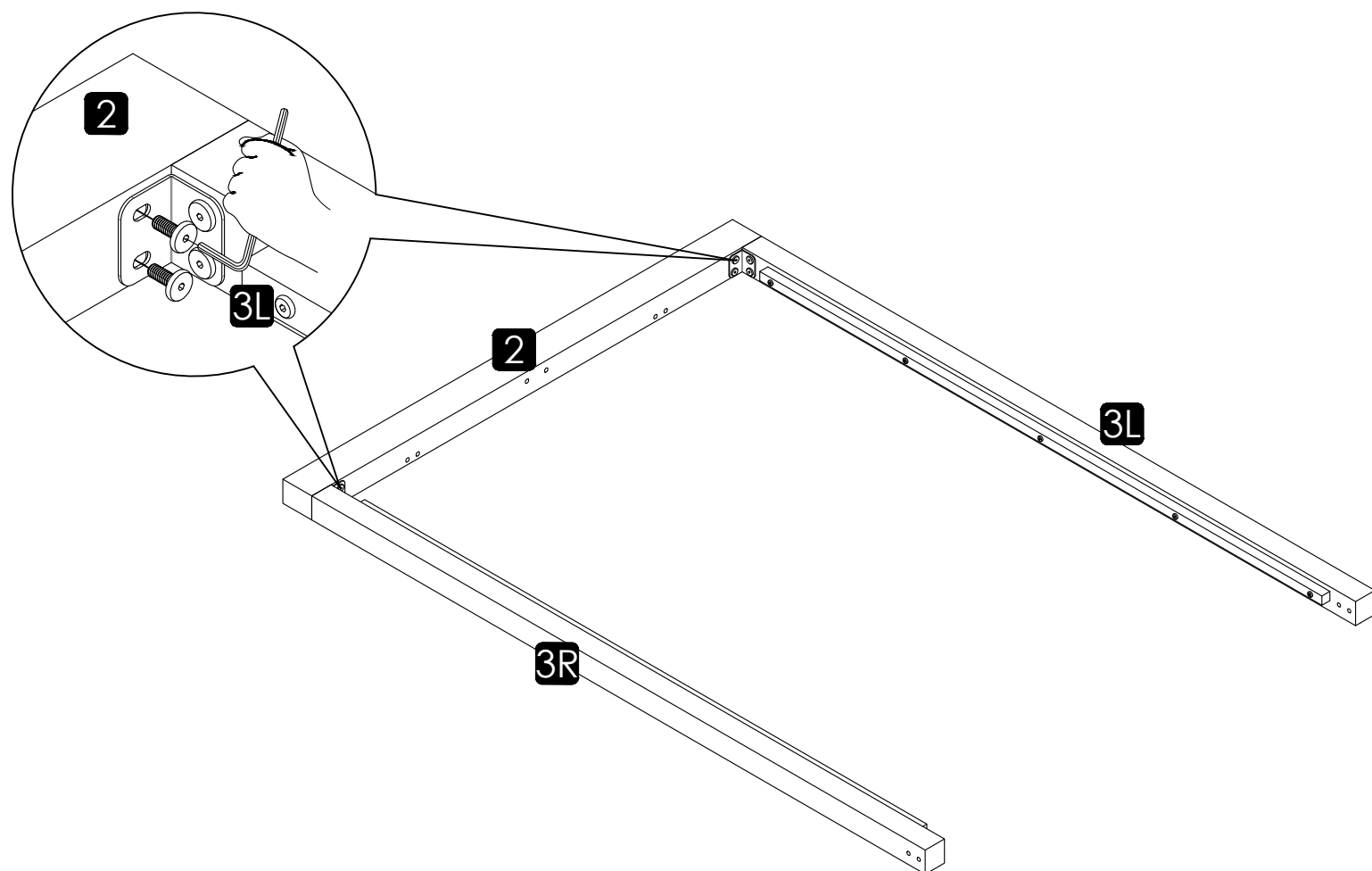
L  1pc



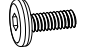
Step 5


A  4pcs

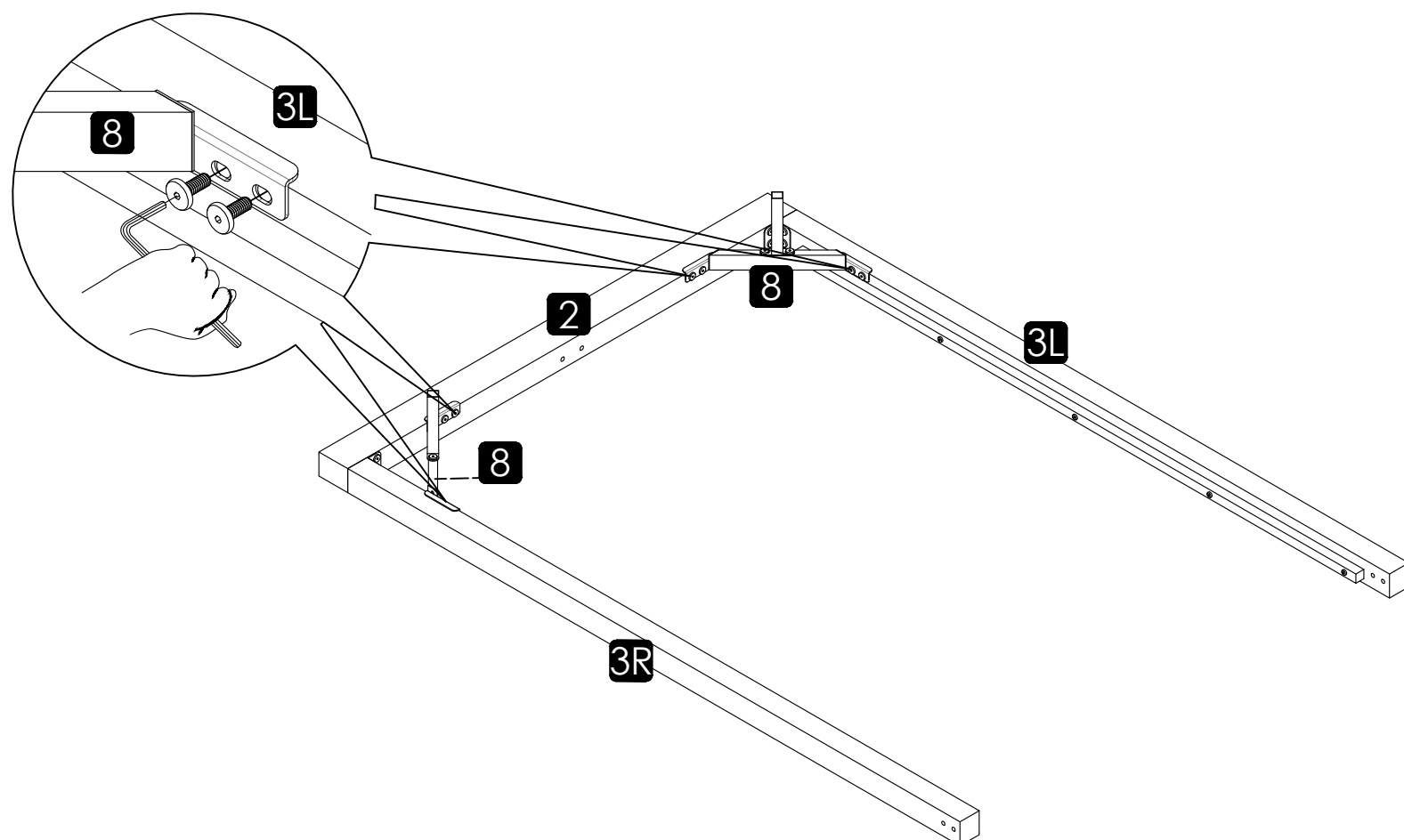
L  1pc



Step 6

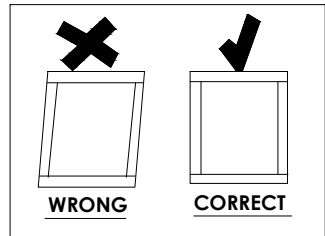
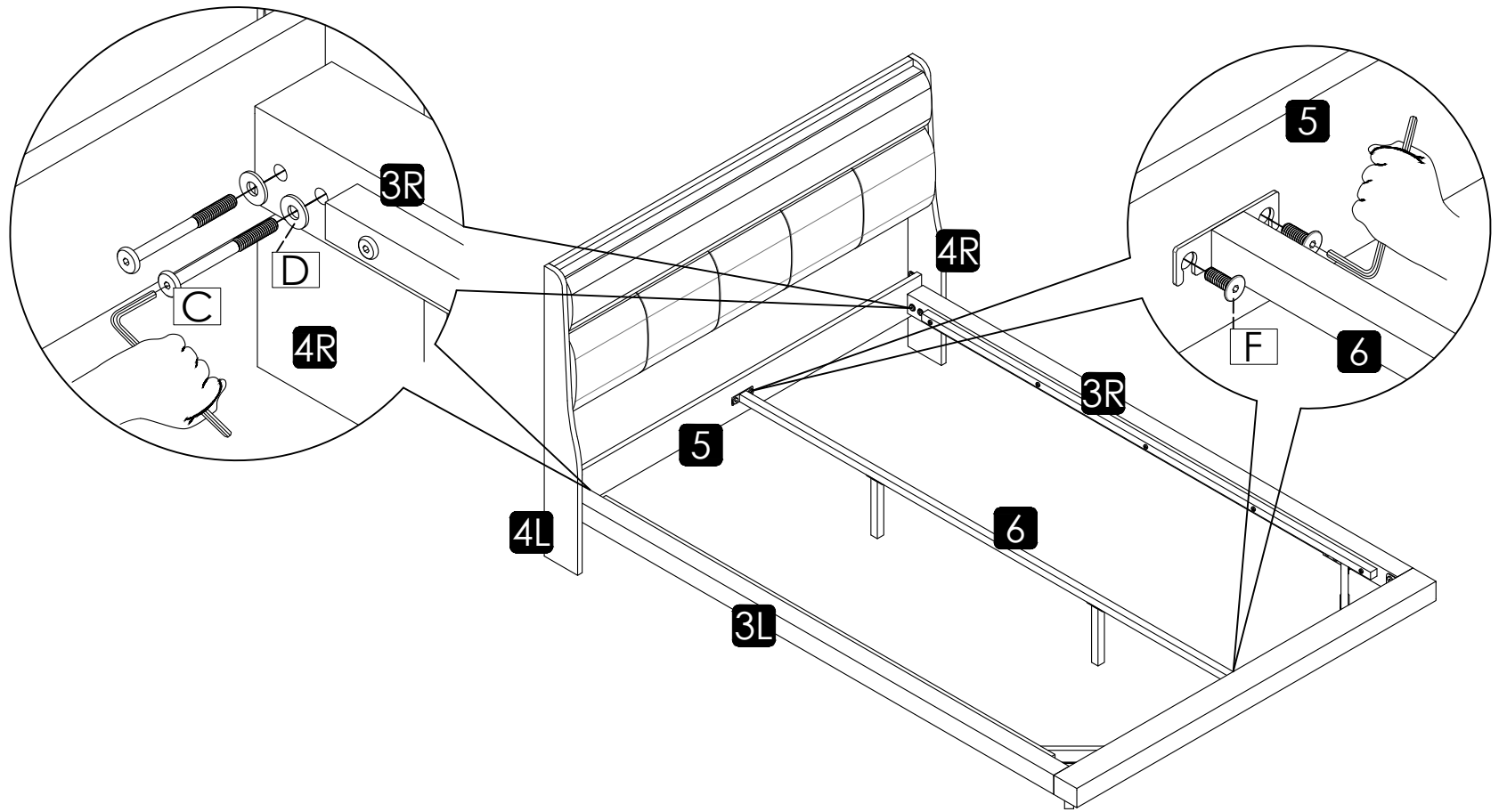
A  8pcs

L  1pc

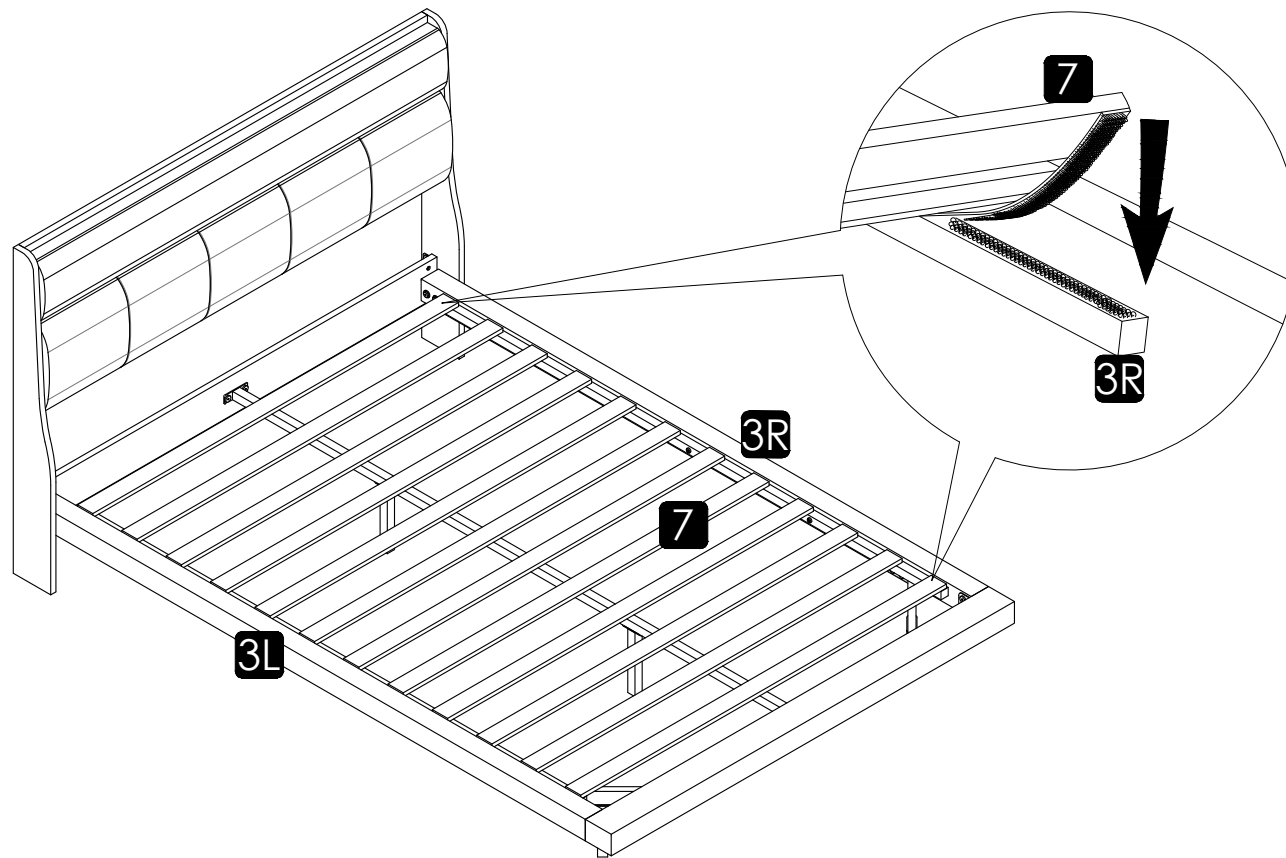


Step 7

- C 4pcs
- D 4pcs
- F 4pcs
- L 1pc

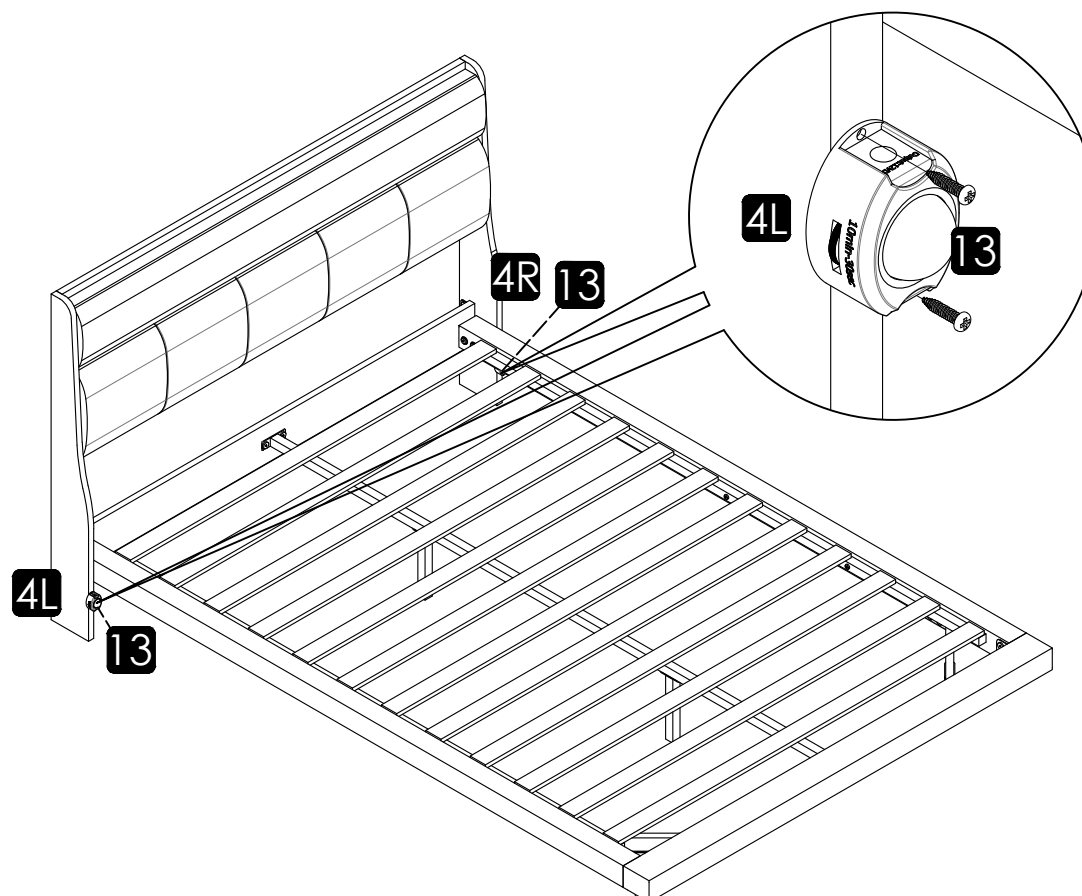


Step 8

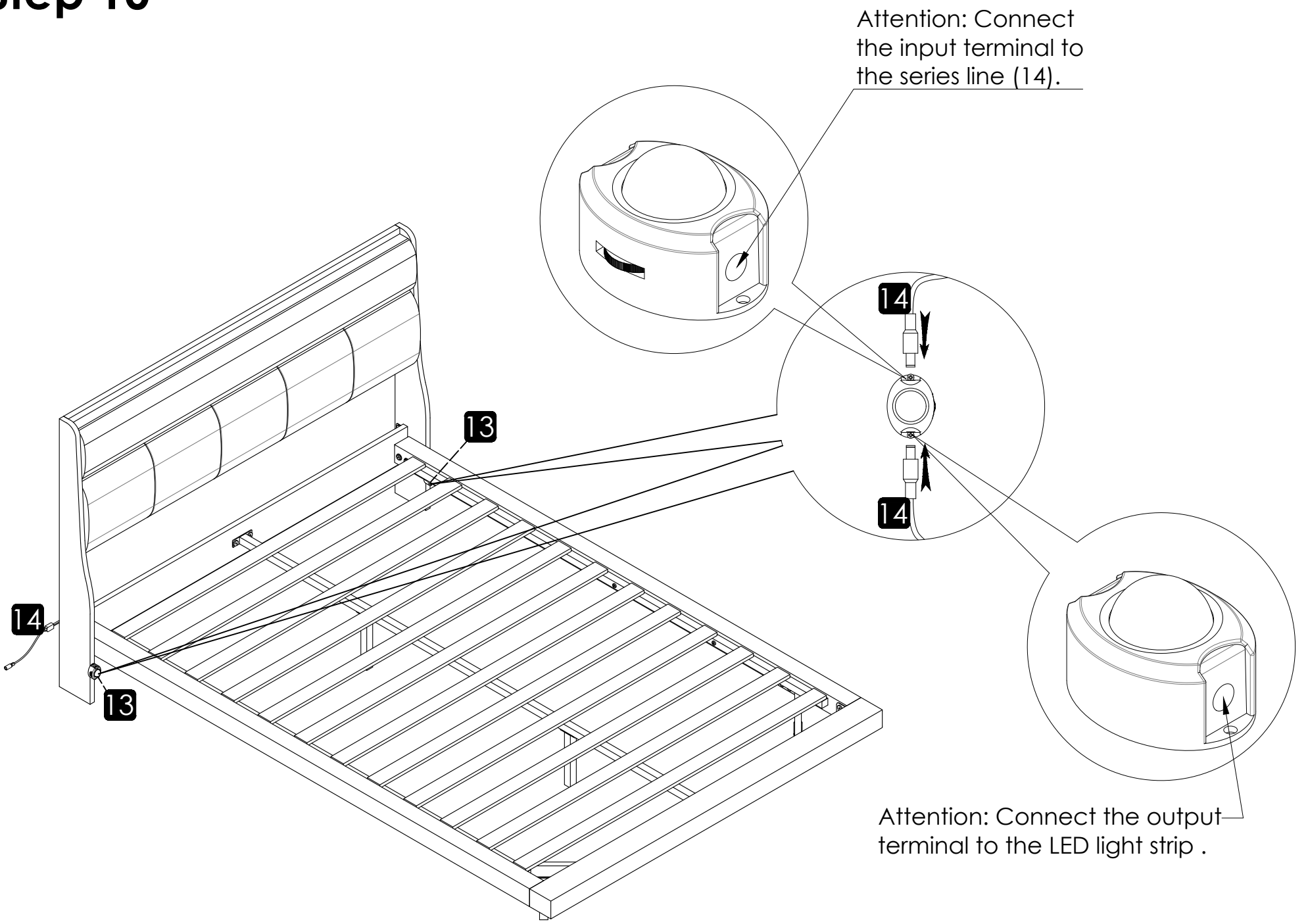


Step 9

- E 4pcs



Step 10



Step 11

