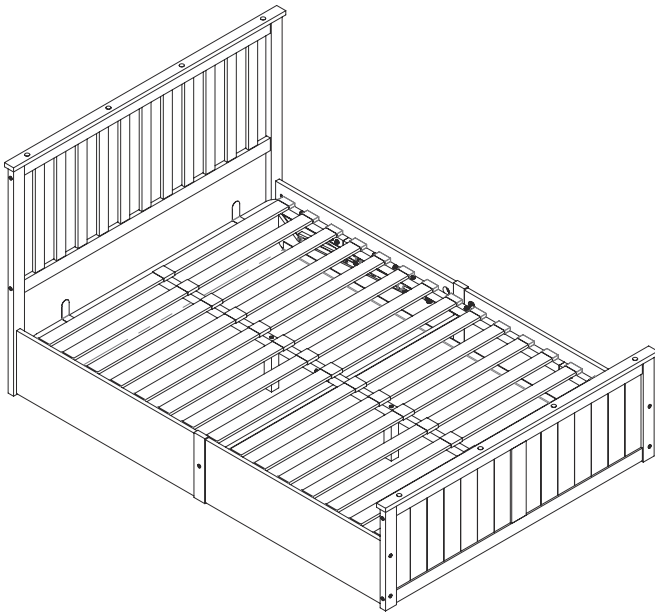


MONTAGEANLEITUNG

Artikelnummer: WF300988 WF300989
Bett 200x140cm



Please check that you have all the parts listed before you start assembling, if you do find that something is missing, do not continue assembly, please contact us immediately.

NOTE: Please do not completely tighten all the hardware until the entire assembly is complete!

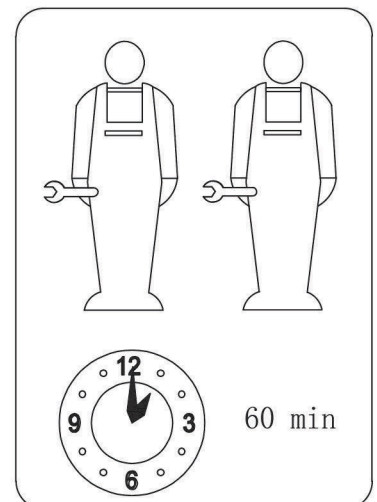
Bitte überprüfen Sie, ob alle Teile mitgeliefert sind, bevor Sie mit der Montage beginnen. Wenn Sie festlegen, dass etwas fehlt, setzen Sie die Montage nicht fort. Bitte kontaktieren Sie uns sofort.

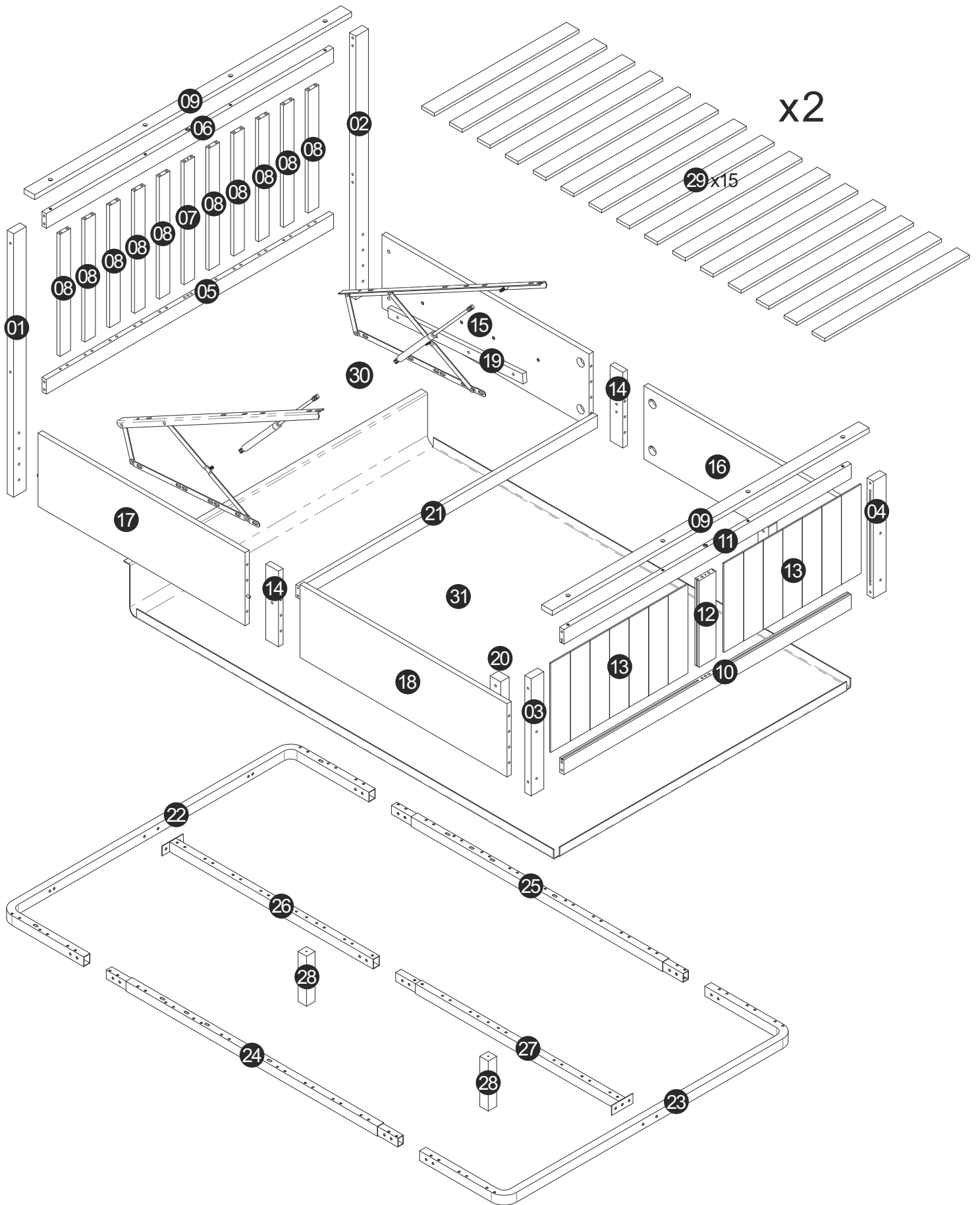
Achtung: Bitte ziehen Sie nicht alle Schrauben fest, bevor die Montage abgeschlossen ist!

- | | |
|-------------------------------|---------------------------------|
| (D) Gebrauchsanweisung | (GB) Instructions for use |
| (NL) Gebruiksaanwijzing | (FR) Instructions d'utilisation |
| (IT) Istruzioni per l'uso | (PL) Instrukcja obsługi |
| (CZ) Pokyny k použití | (ES) Instrucciones de empleo |
| (HU) Használati útmutató | (RO) Instrucțiuni de folosire |
| (PT) Instruções de utilização | (RU) Инструкция по монтажу |
| (SK) Pokyny k použitiu | (TR) Kullanım talimatları |

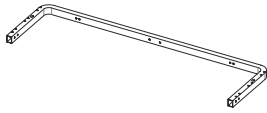
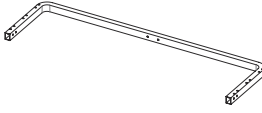


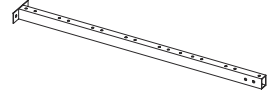
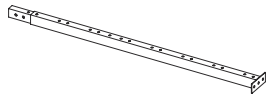
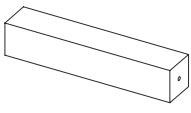
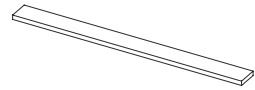

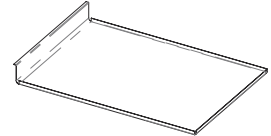
This set will be shipped by 2 boxes and they may arrive on different days.
If both packages arrived but parts missing, please contact customer service.

Dieses Set ist in 2 Boxen enthalten. Wenn Sie keine vollen 2 Boxen erhalten,
wenden Sie sich bitte an unseren Kundenservice.

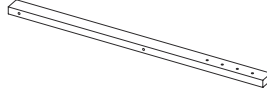
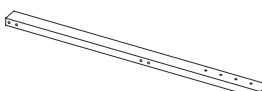
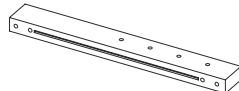
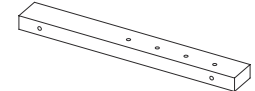


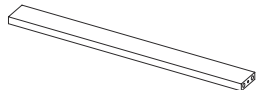
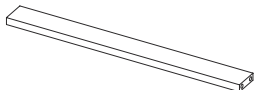



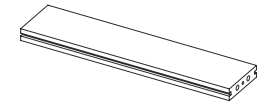
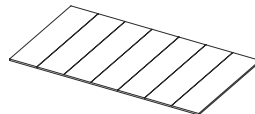
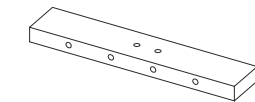
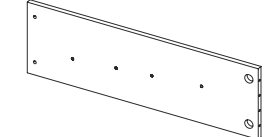
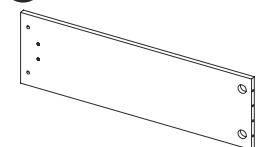
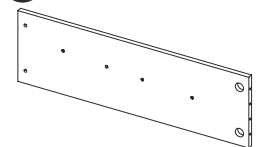
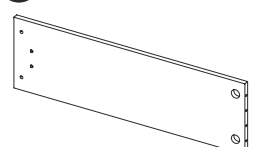
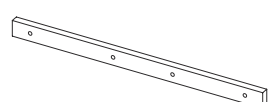
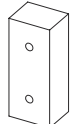





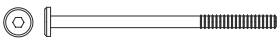
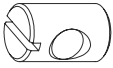


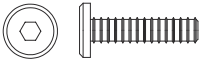
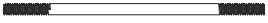
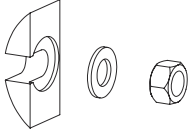

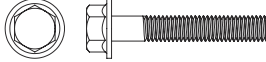
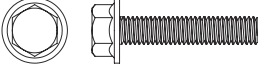

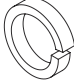
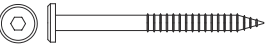

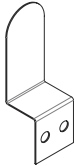
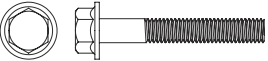
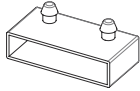
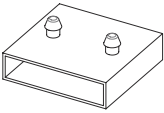
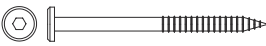



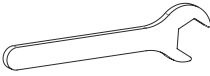

Part list WF300988

<p>22x1</p> 	<p>23x1</p> 	<p>24x1</p> 	<p>25x1</p> 	<p>26x1</p> 
<p>27x1</p> 	<p>28x2</p> 	<p>29x30</p> 	<p>30x1</p>  <p>Hydraulikstange</p>	<p>31x1</p> 

Part list WF300989

<p>01x1</p> 	<p>02x1</p> 	<p>03x1</p> 	<p>04x1</p> 	<p>05x1</p> 
<p>06x1</p> 	<p>07x1</p> 	<p>08x10</p> 	<p>09x2</p> 	<p>10x1</p> 
<p>11x1</p> 	<p>12x1</p> 	<p>13x2</p> 	<p>14x2</p> 	<p>15x1</p> 
<p>16x1</p> 	<p>17x1</p> 	<p>18x1</p> 	<p>19x2</p> 	<p>20x2</p> 
<p>21x1</p> 				

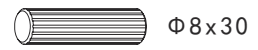
Hardware list WF300988

<p>A x8</p>  <p>M6x100</p>	<p>B x16</p> 	<p>C x74</p>  <p>Φ8x30</p>	<p>D x4</p>  <p>Φ6x100</p>	<p>E x8</p>  <p>M6x30</p>
<p>F x4</p>  <p>M6x140</p>	<p>G x8</p> 	<p>H x8</p>  <p>M6x70</p>	<p>J x4</p>  <p>M8x50</p>	<p>K x26</p>  <p>M8x40</p>
<p>L x18</p>  <p>Φ8</p>	<p>M x18</p> 	<p>N x2</p>  <p>Φ6x70</p>	<p>Q x28</p> 	<p>R x2</p> 
<p>S x10</p>  <p>M8x55</p>	<p>T x30</p> 	<p>U x15</p> 	<p>V x2</p>  <p>Φ6x80</p>	<p>W x8</p> 
<p>X x1</p> 	<p>Y x2</p> 	<p>Z x1</p> 	<p>AA x1</p> 	

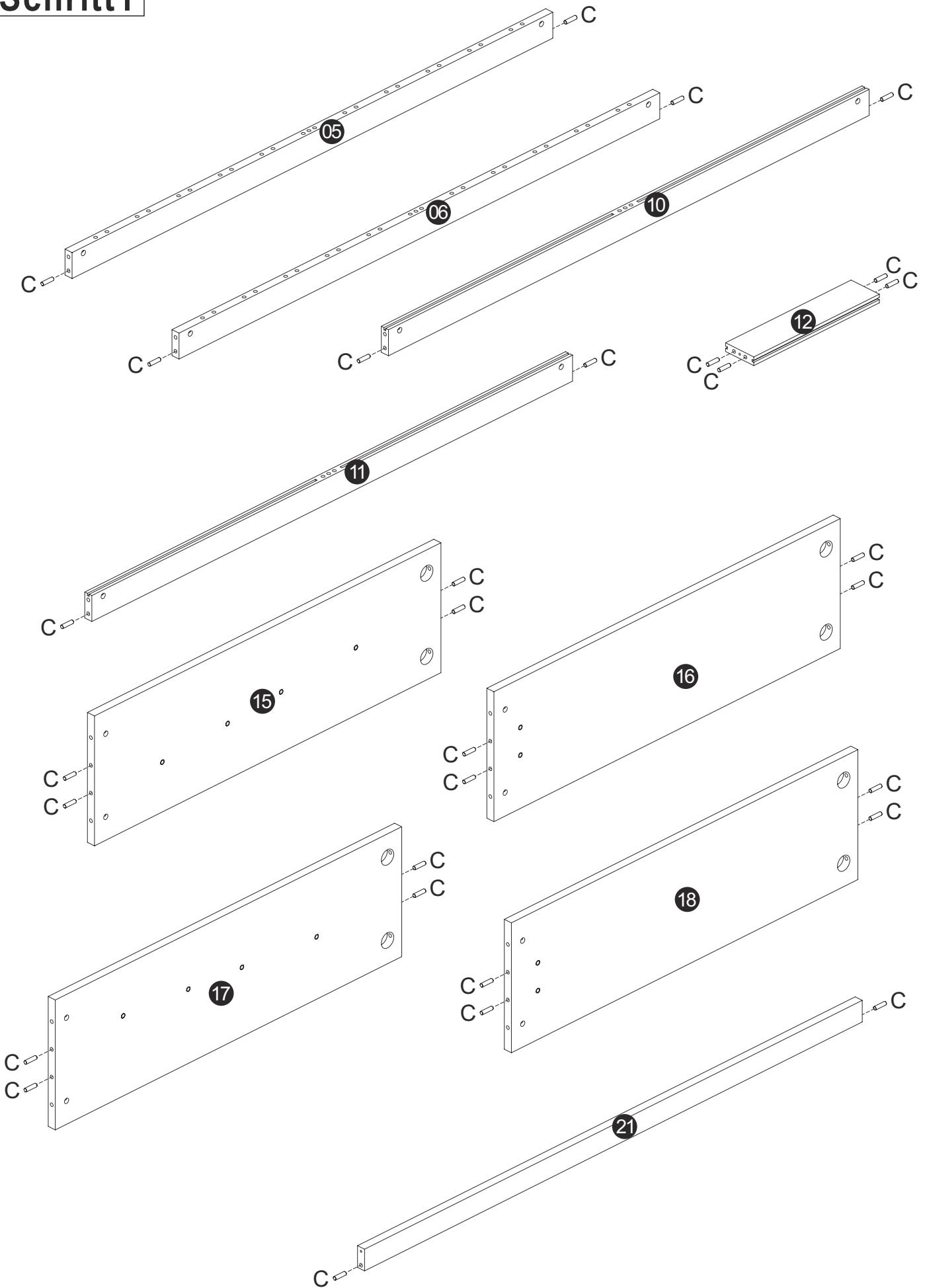
Step 1

Schritt 1

C





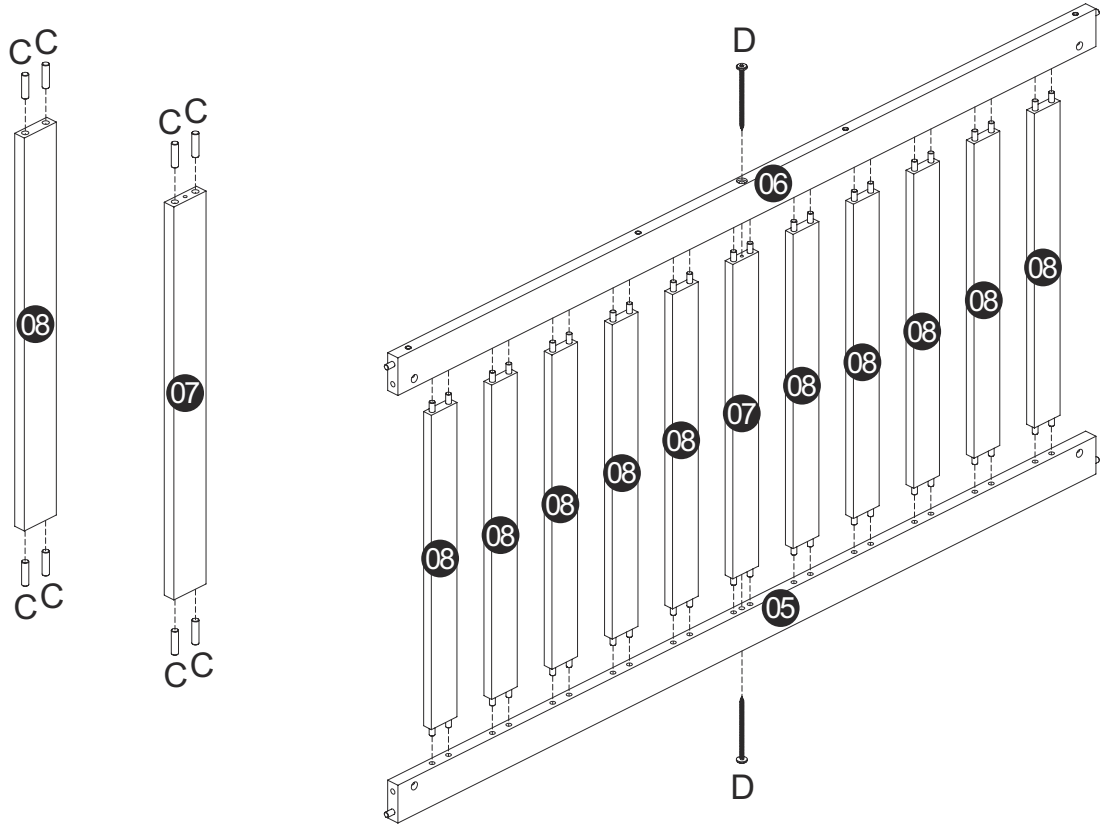
30



Step2

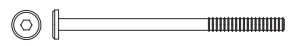

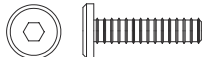
Schritt2

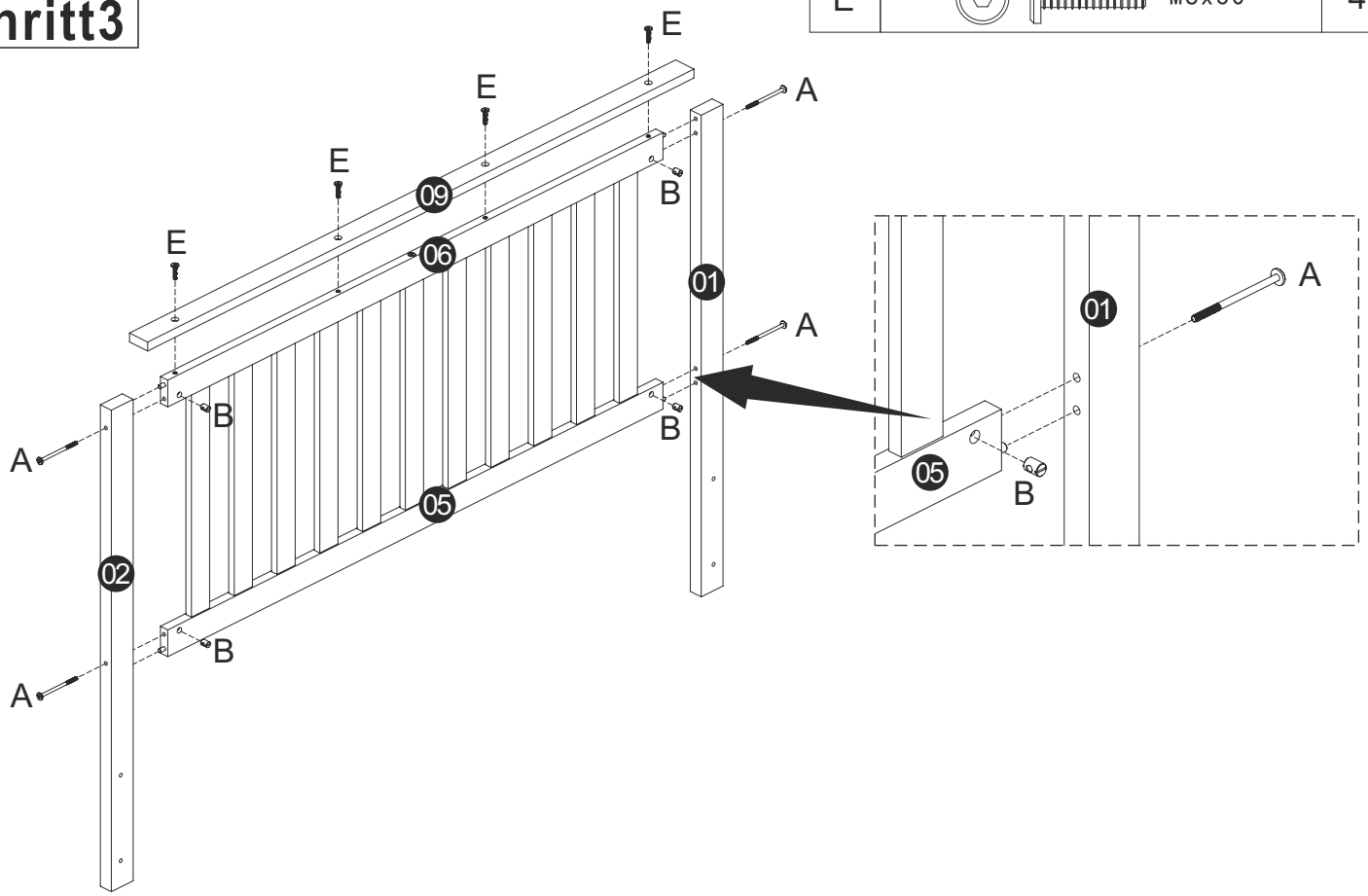
C	 $\Phi 8 \times 30$	44
D	 $\Phi 6 \times 100$	2



Step3


Schritt3

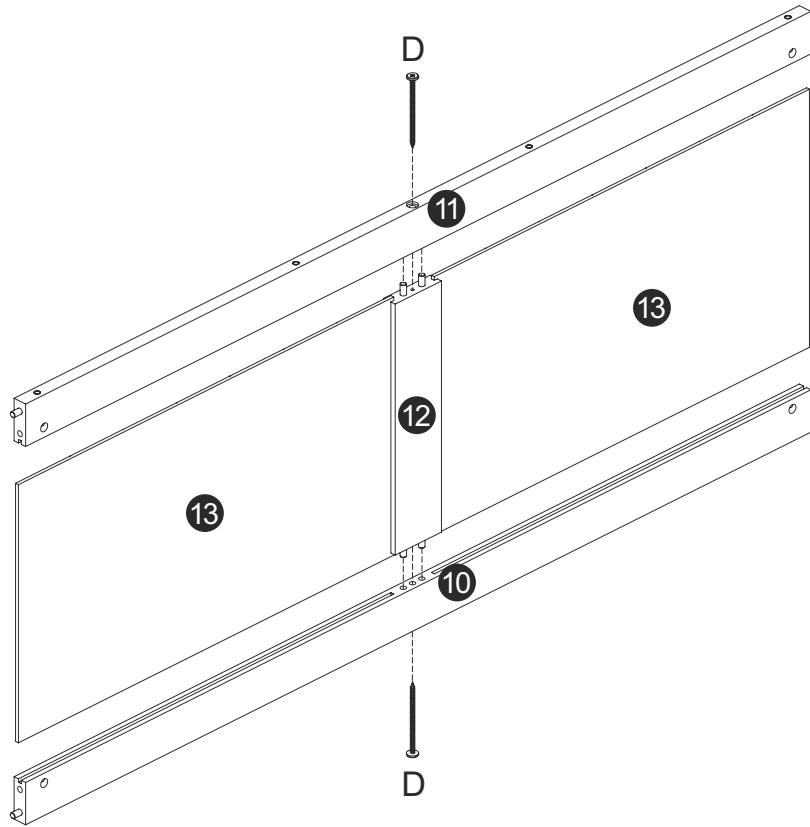
A	 M6x100	4	B		4
			E	 M6x30	4



Step4




Schritt4

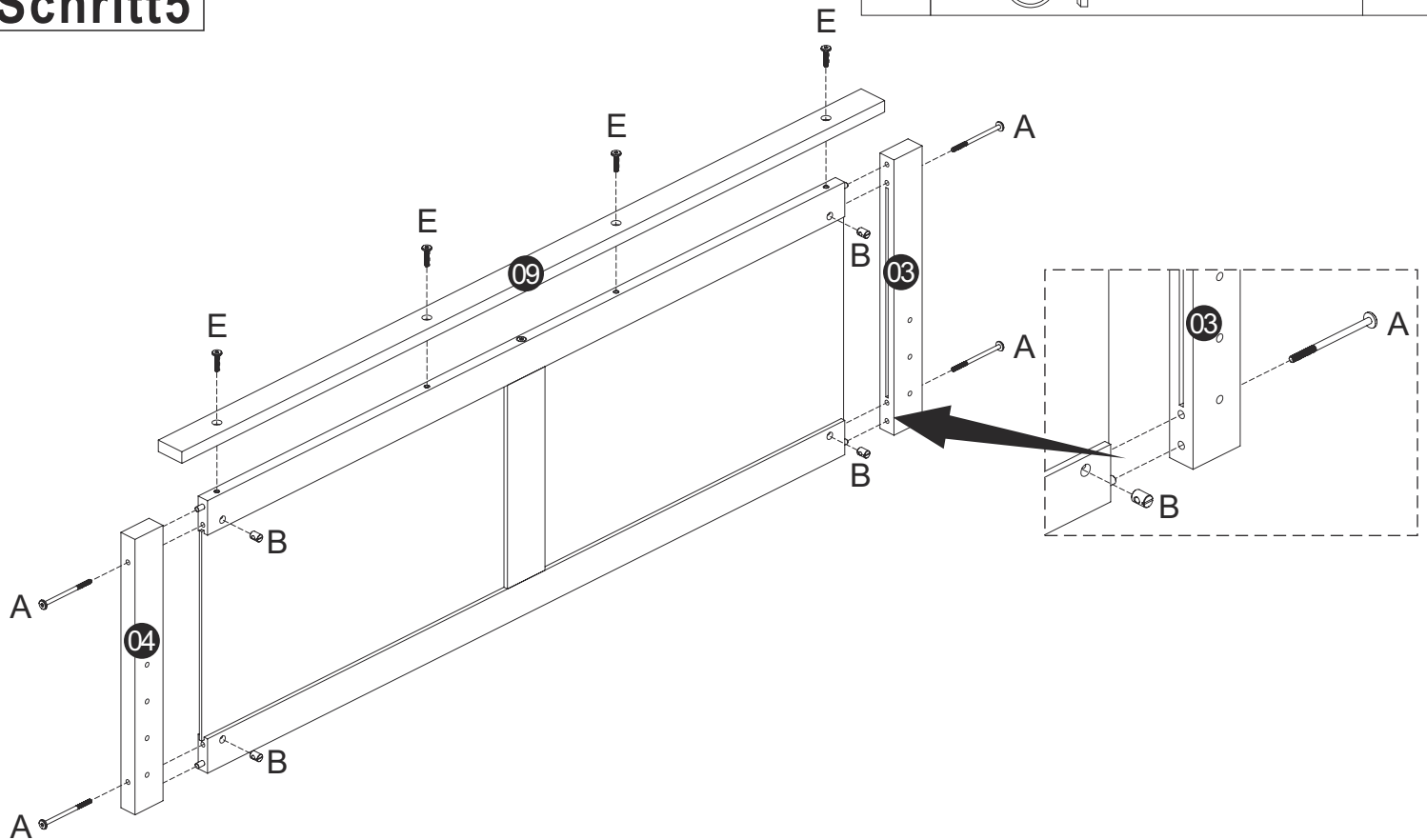
D		$\Phi 6 \times 100$	2
---	---	---------------------	---



Step5


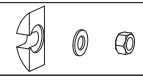

Schritt5

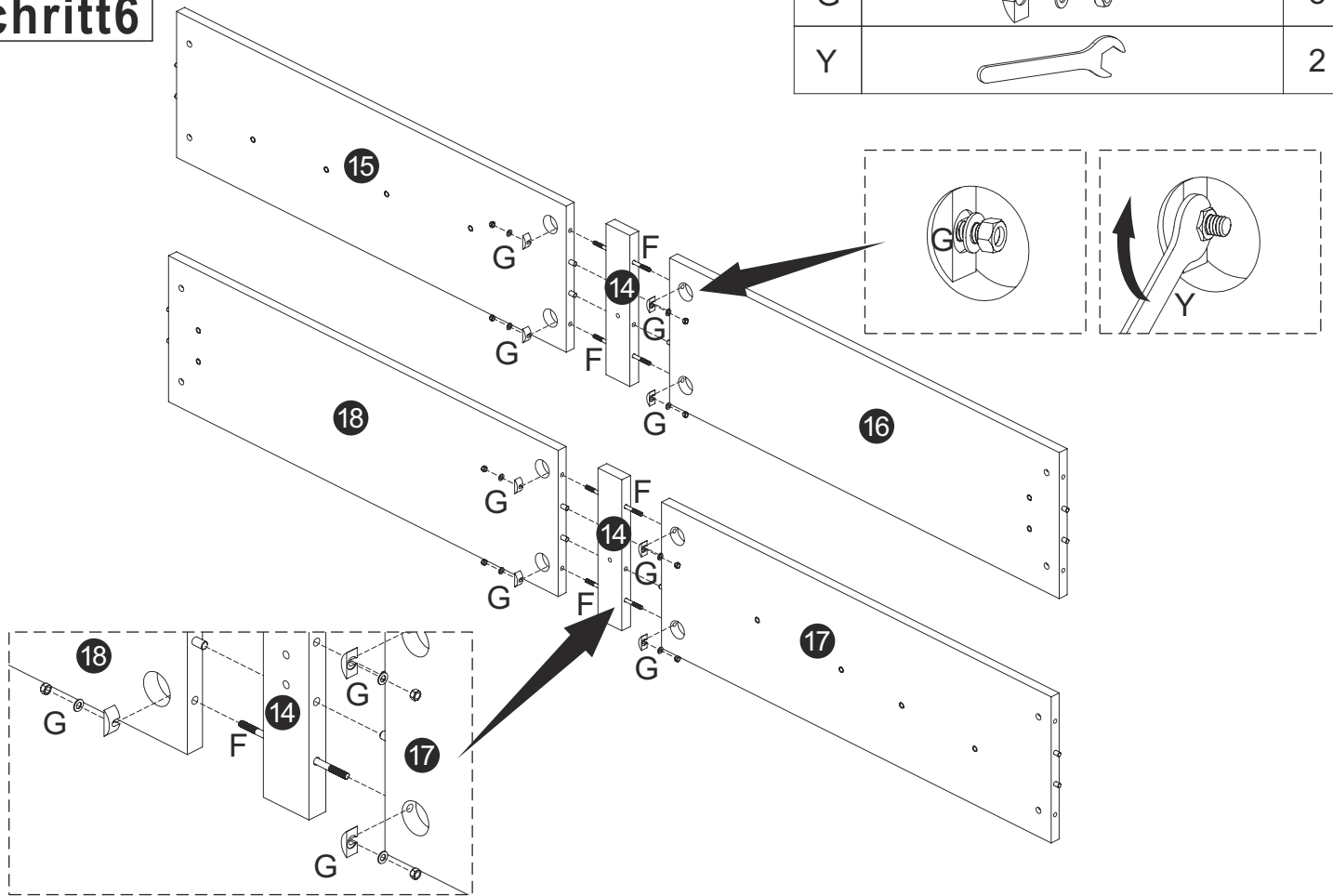
A		M6x100	4	B		4
E		M6x30	4			



Step 6

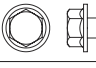


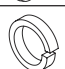
Schritt 6

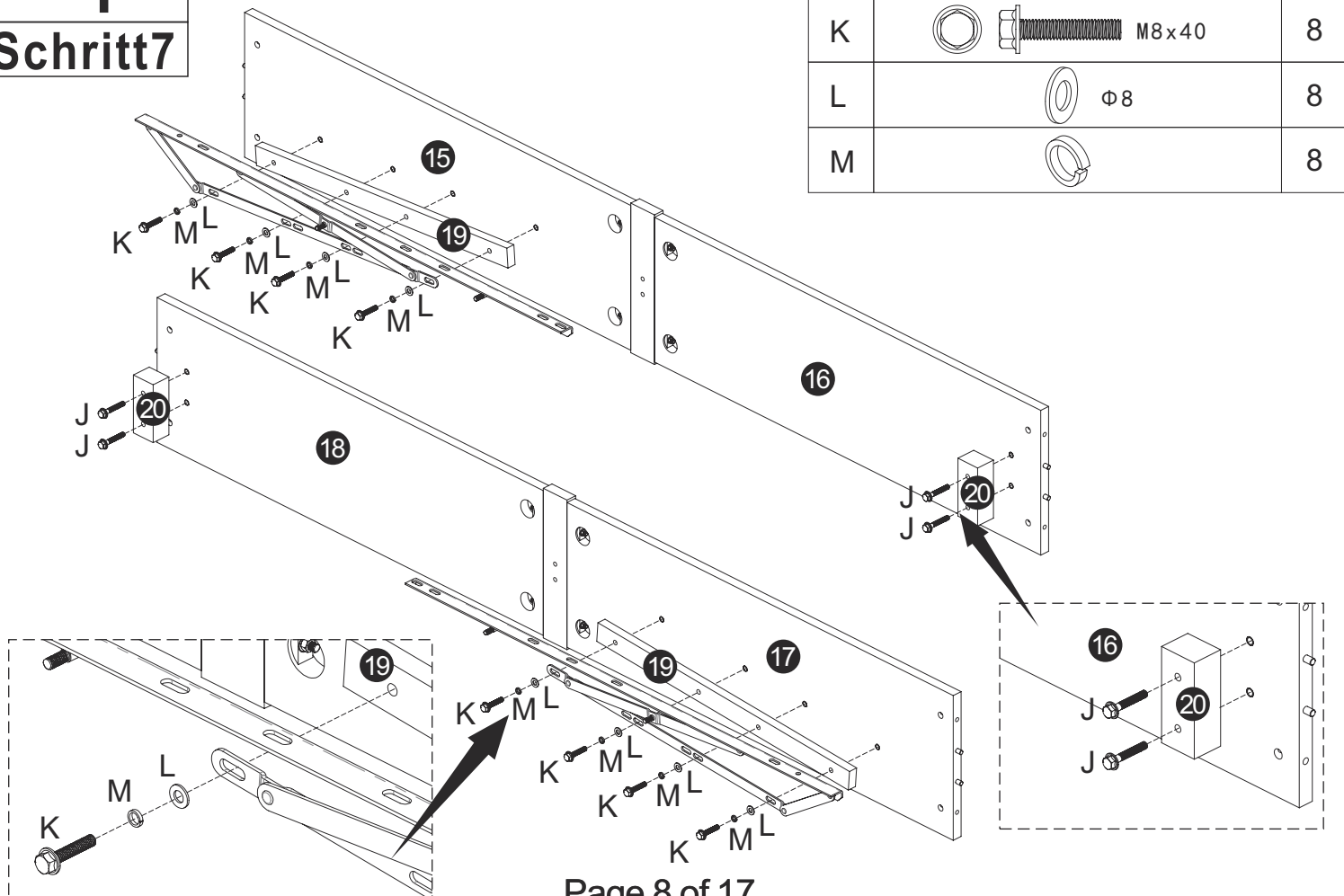
F	 M6x140	4
G		8
Y		2



Step 7

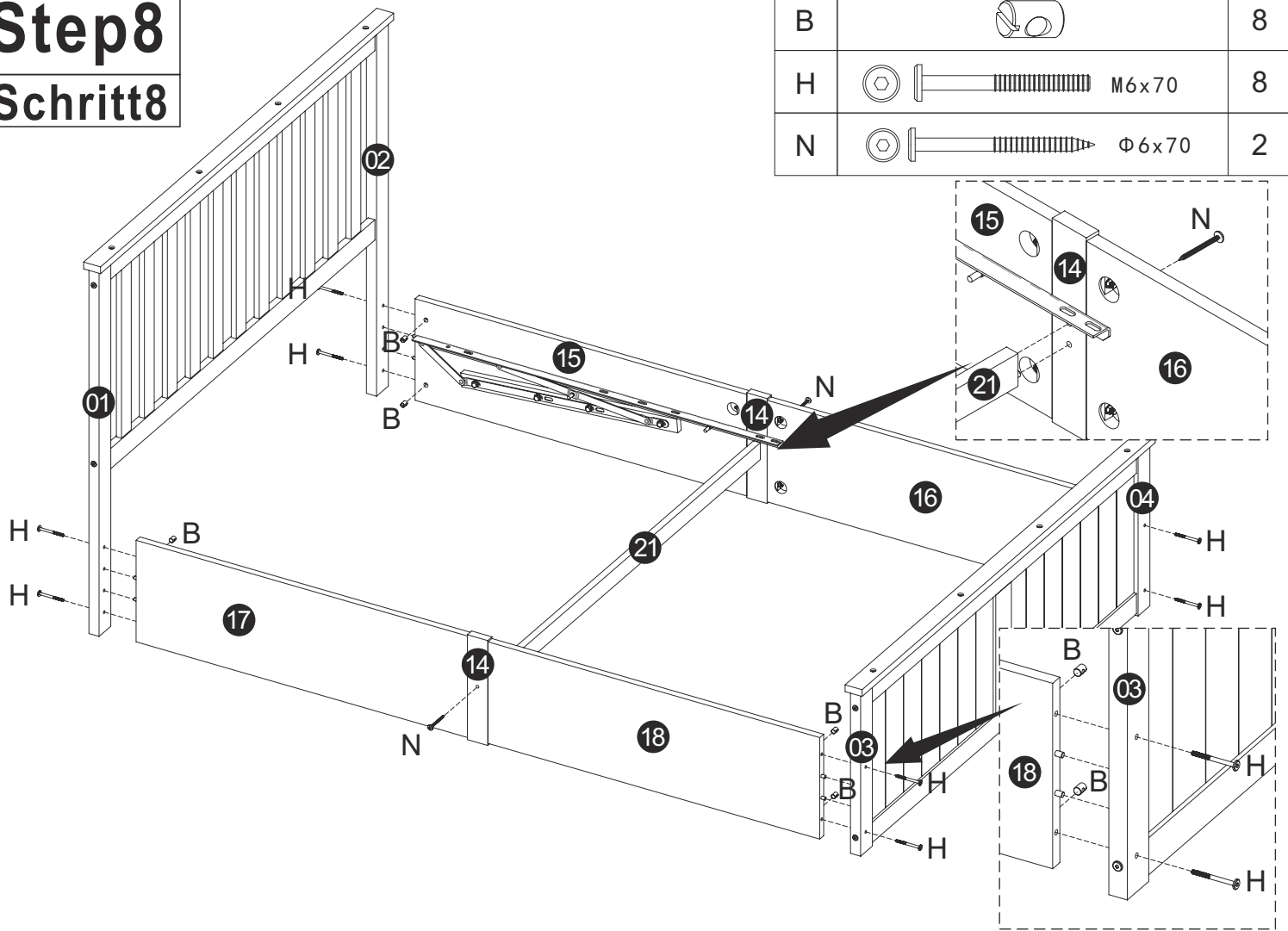
Schritt 7

J	 M8x50	4
K	 M8x40	8
L	 $\Phi 8$	8
M		8



Step 8

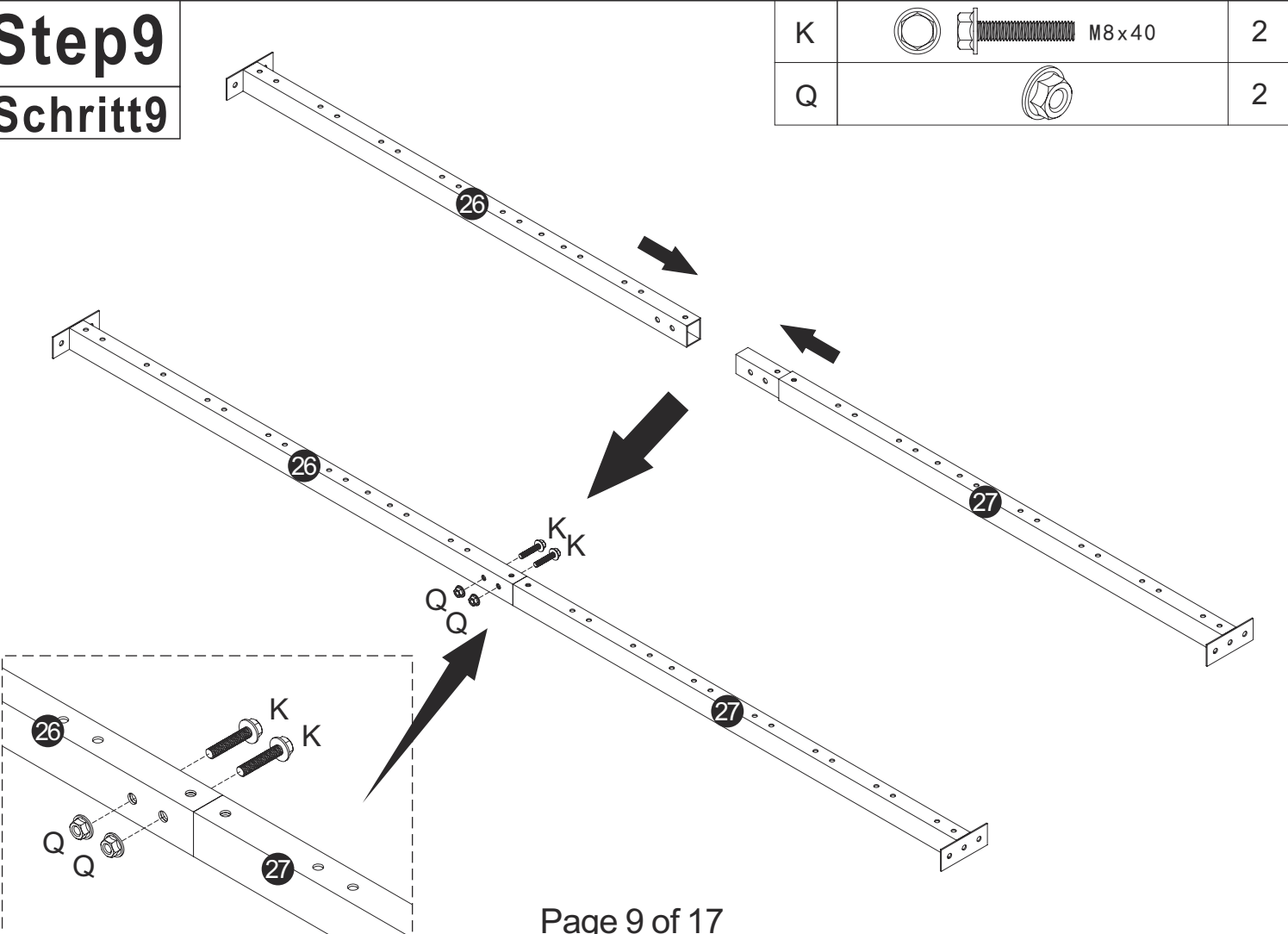
Schritt 8



B		8
H		8
N		2

Step 9




Schritt 9

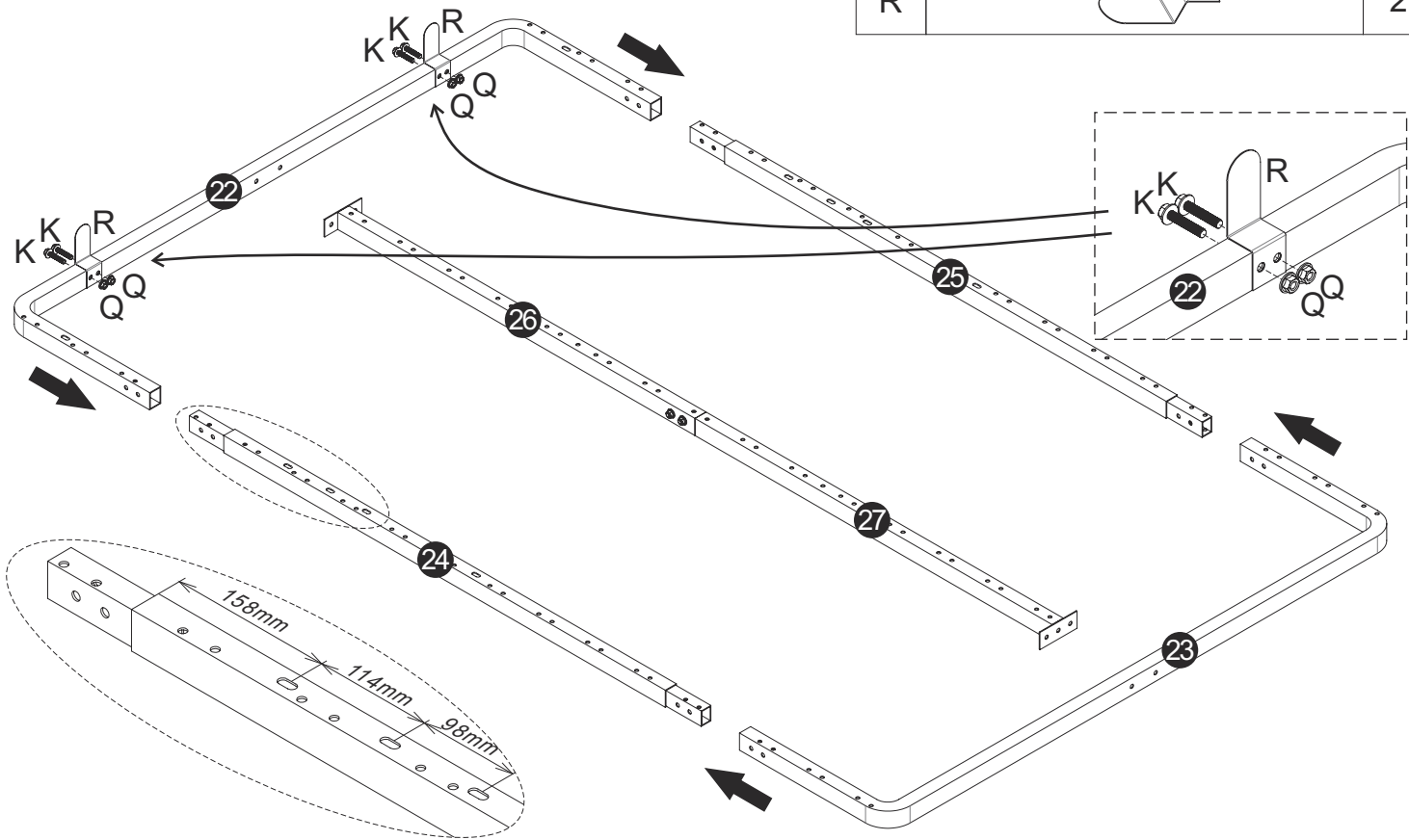


K		2
Q		2

Step 10



Schritt 10

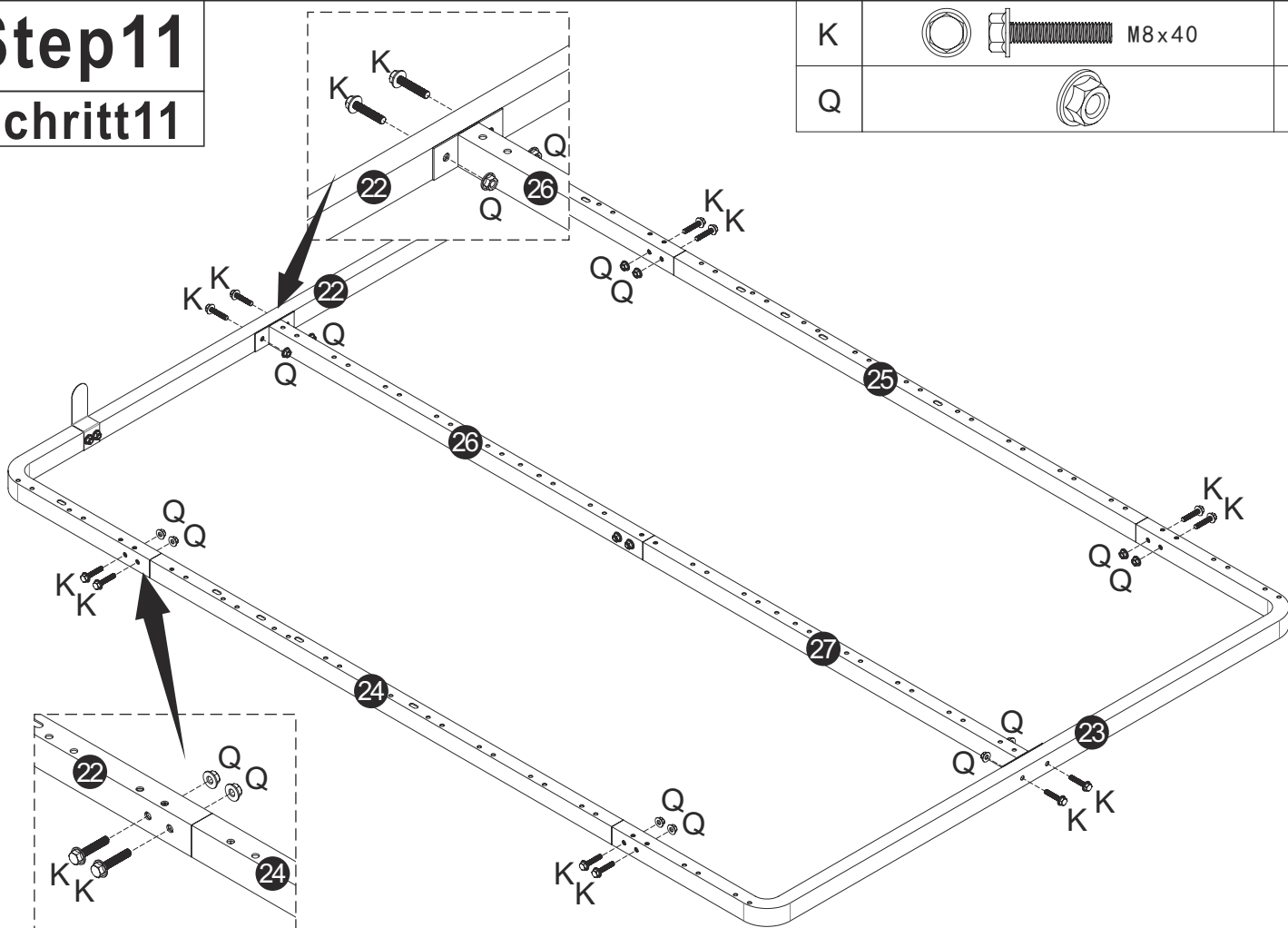
K	 M8x40	4
Q		4
R		2



Step 11




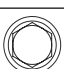
Schritt 11

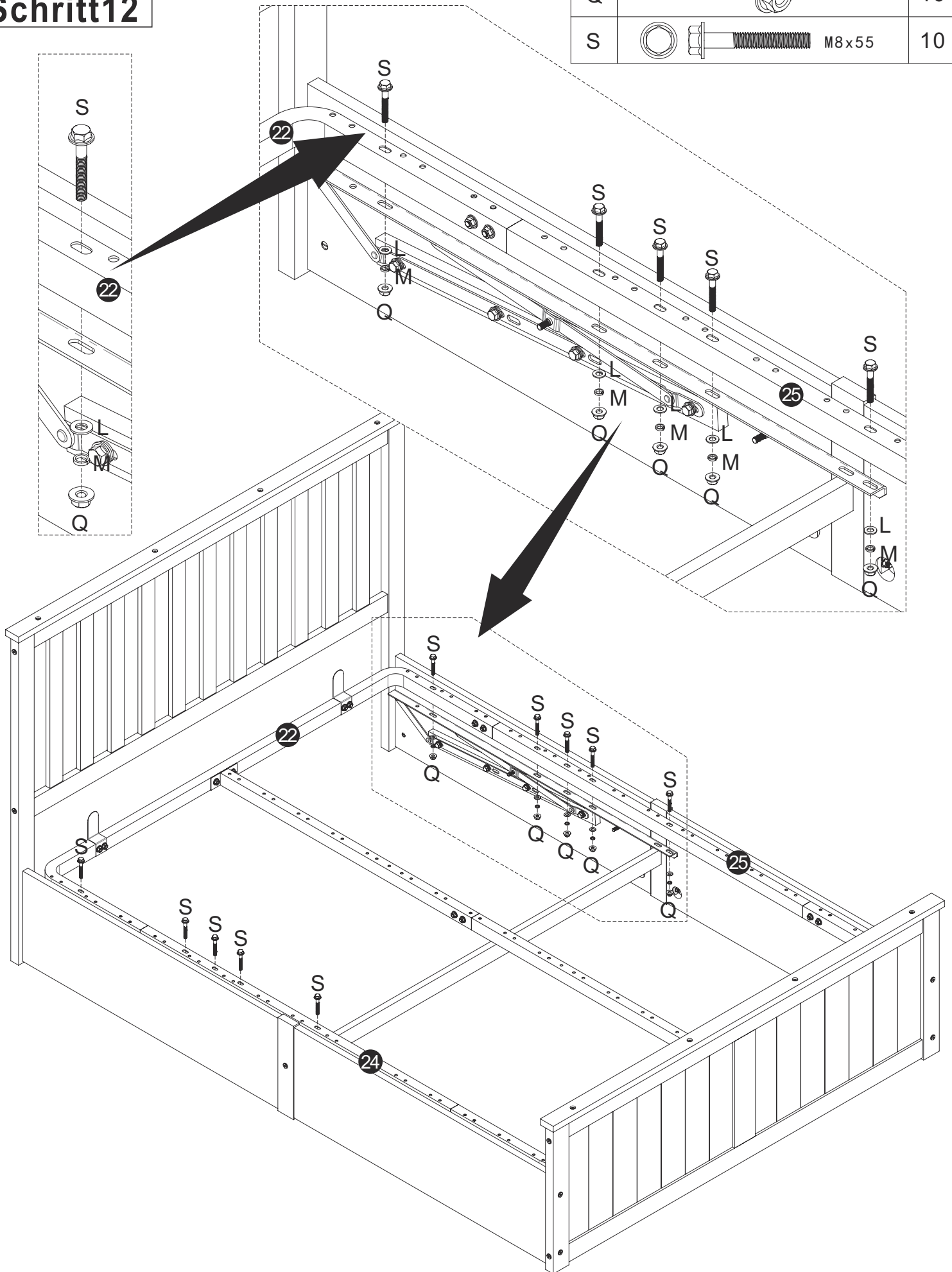
K	 M8x40	12
Q		12



Step 12

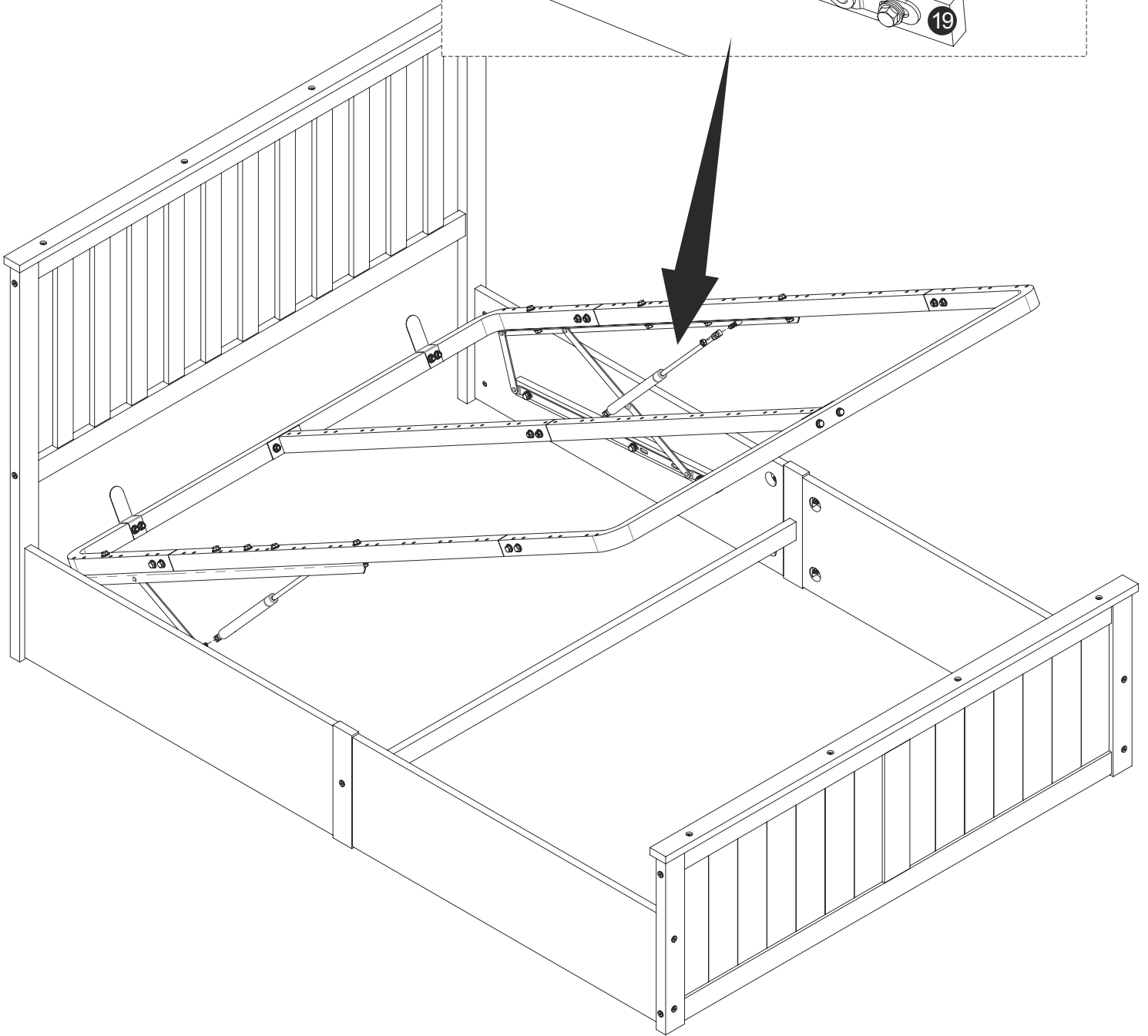
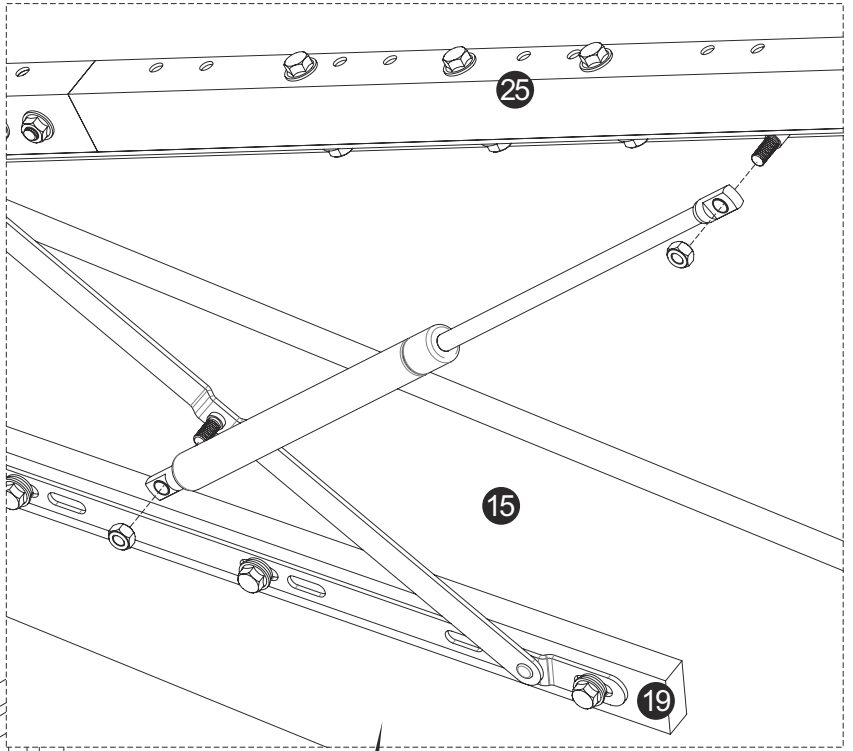
Schritt 12

L	 $\Phi 8$	10	M		10
			Q		10
			S	 M8x55	10



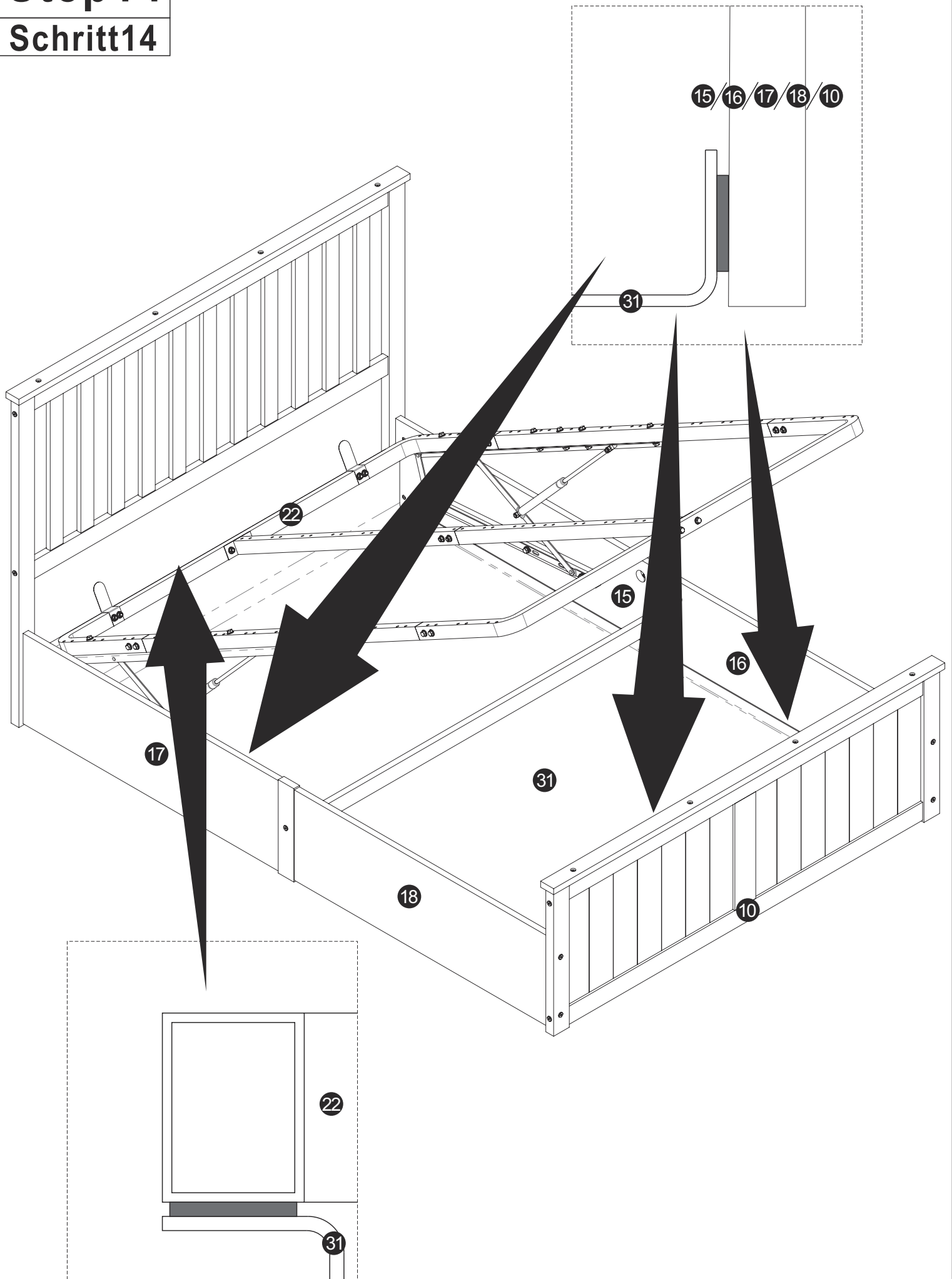
Step 13

Schritt 13



Step 14

Schritt 14



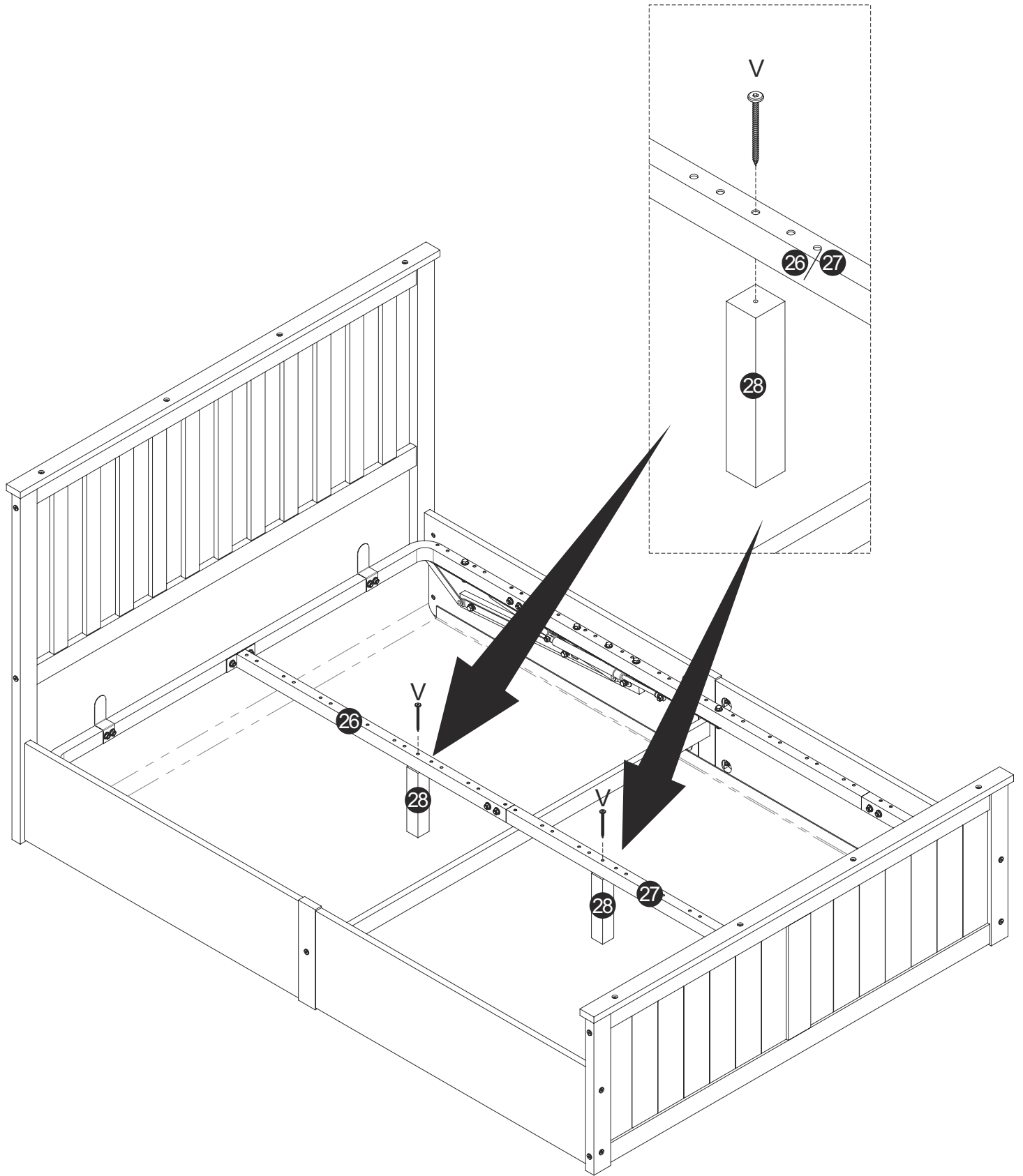
Step 15

Schritt 15

V

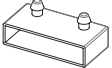
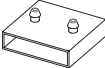
 $\Phi 6 \times 80$

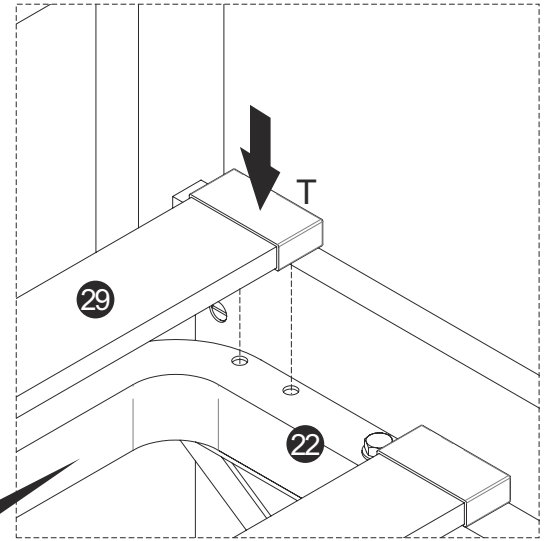
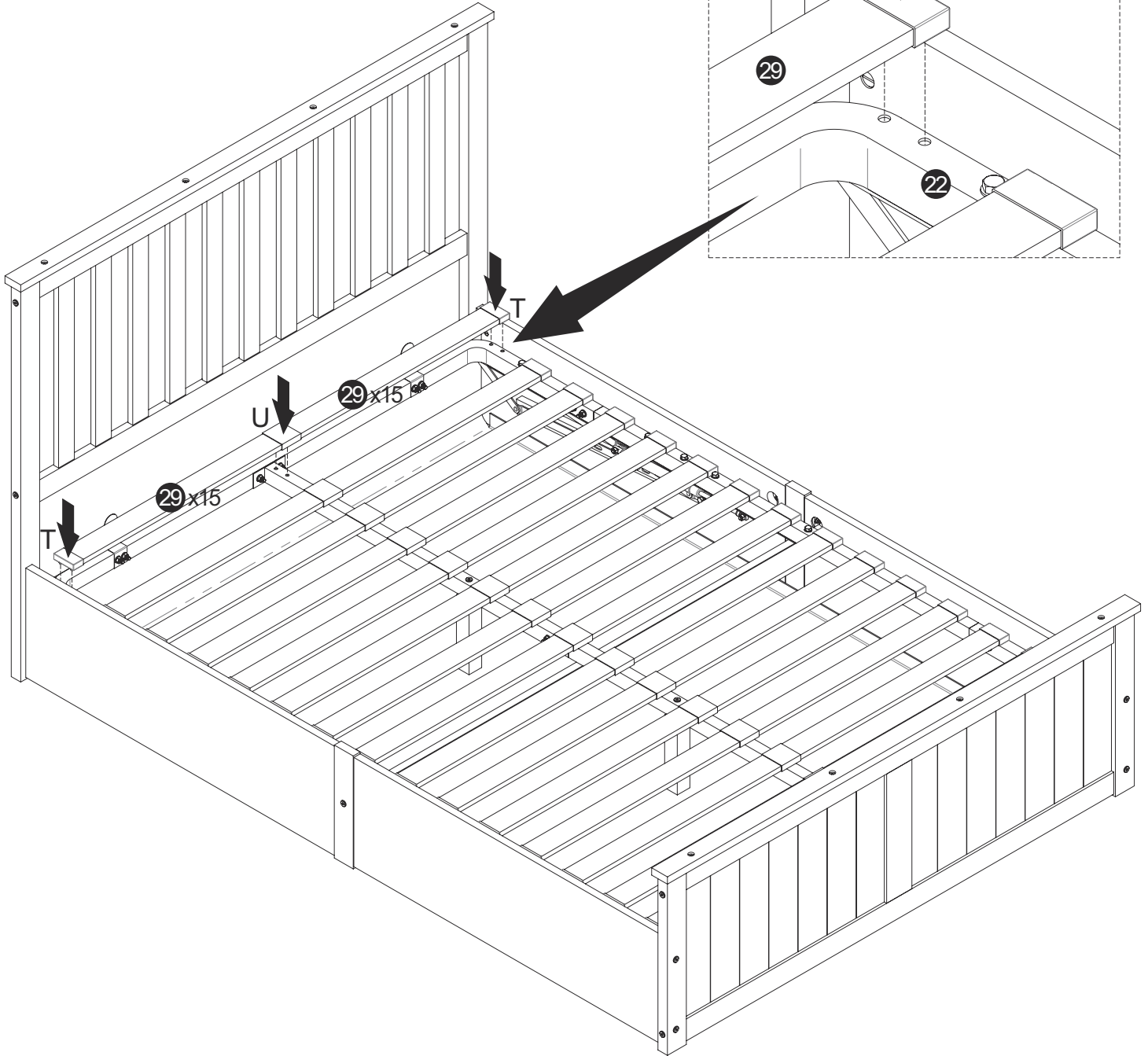
2



Step 16

Schritt 16

T		30
U		15



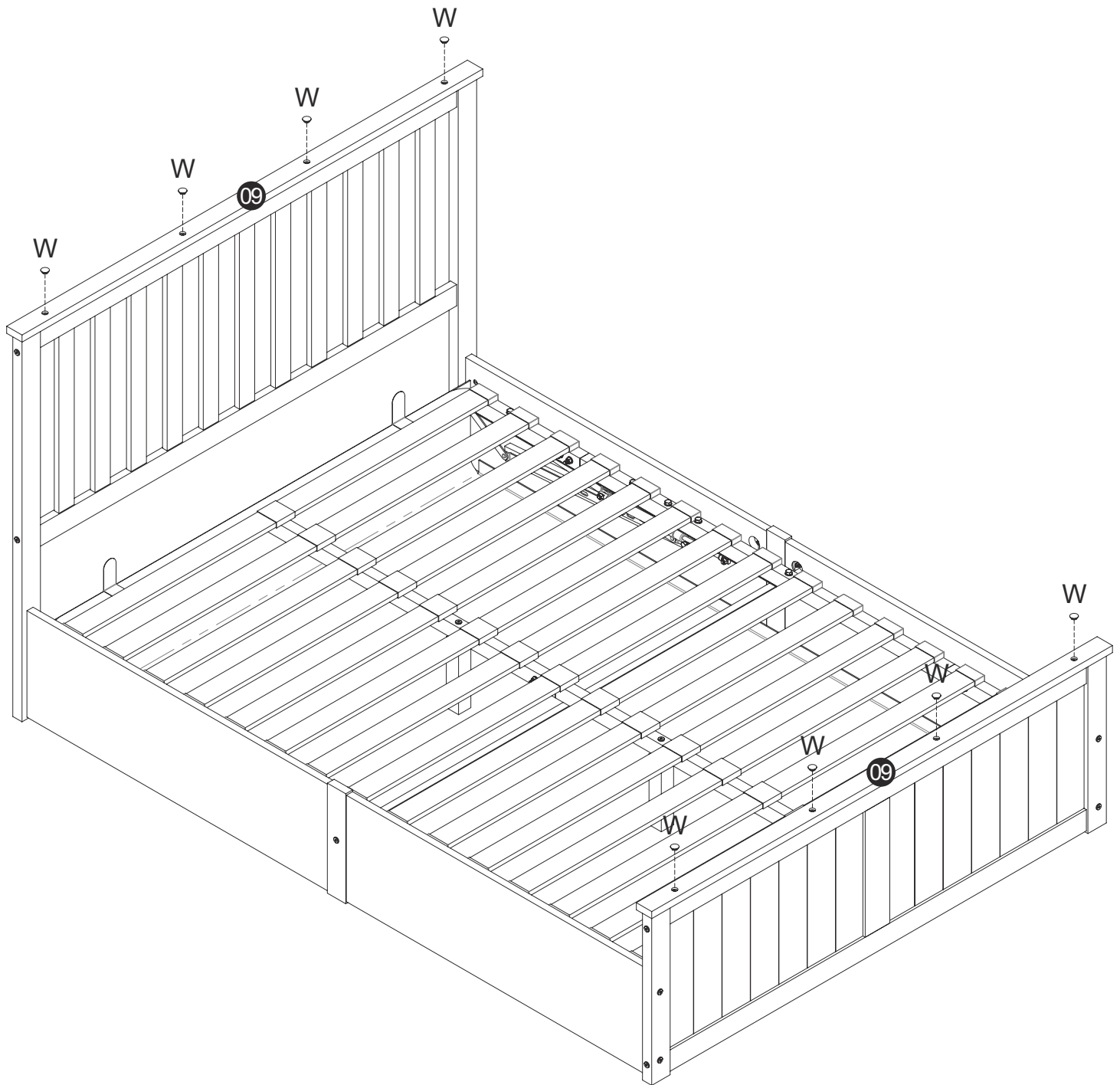
Step 17

Schritt 17

W



8

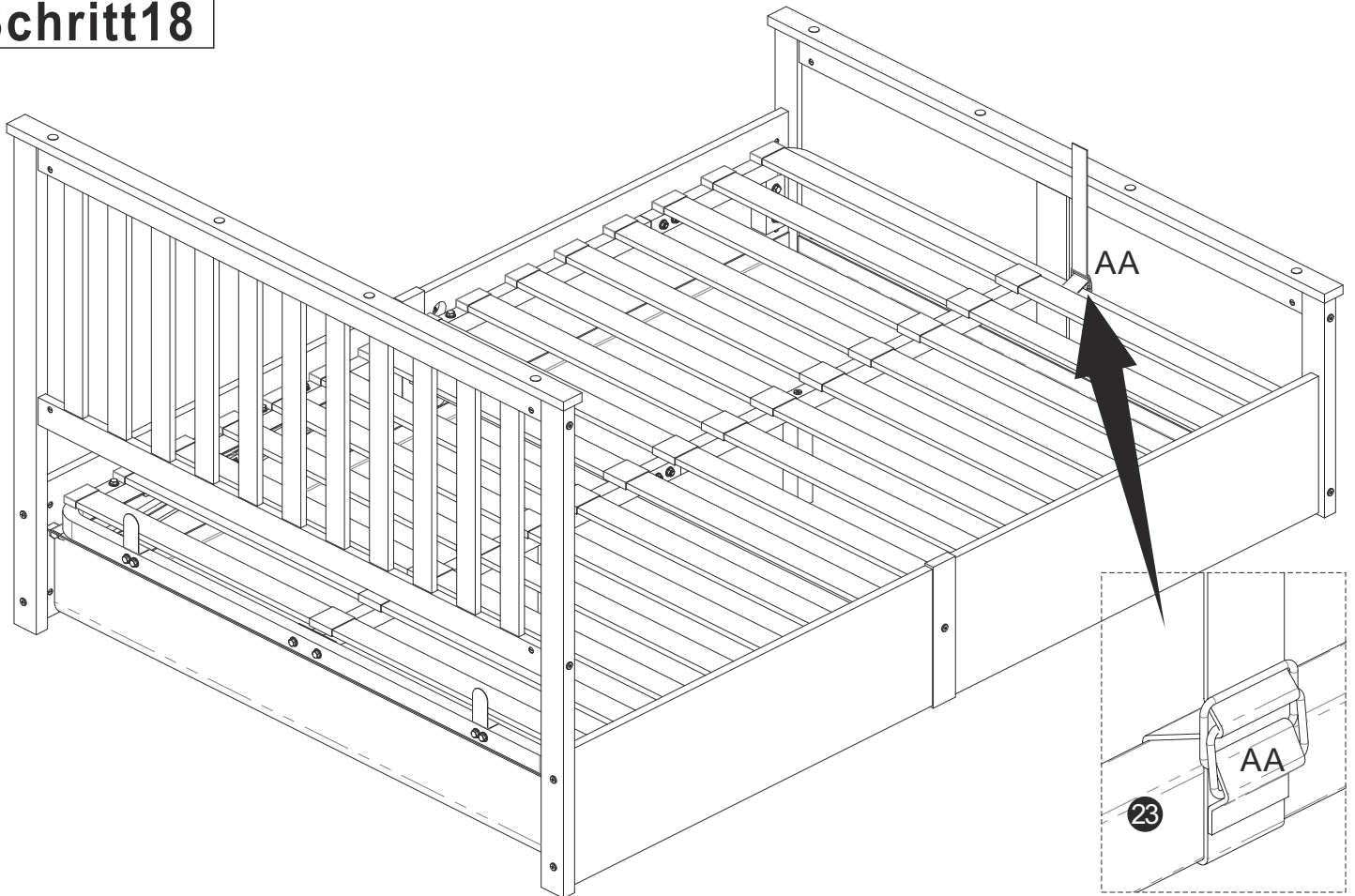


Step 18

Schritt 18

AA

1



IMPORTANT NOTICE

OTTOMAN OPERATING INSTRUCTIONS

Once your bed frame is completely assembled, the slat unit will not operate correctly unless a mattress is placed on the slat frame. Position the mattress on the slat frame whilst it is in the closed position.

PLEASE NOTE - It takes a lot of force to make the initial movement of the ottoman. This is a design feature of the product so that it does not fall shut - the nearer to being closed the ottoman is, the easier it is to move. When the ottoman is almost shut, it will close completely under its own weight.

When lowering the slat unit for the first time, take care to make sure it does not rub unevenly on the inside face of the side rails. If it does, the bed has been assembled slightly out of square. This can be rectified by moving the foot end of the bed slightly to the left or right whilst leaving the head end stationary.

PISTONS

The pistons used in the construction of this product are extremely strong and cannot be operated by hand when taken off the ottoman. All pistons are tested for correct pressure and operation before being attached to the slat unit.

Initially it might appear that the pistons are very stiff when opening and closing the ottoman.

THIS IS PERFECTLY NORMAL

When fully assembled and the mattress is in position, please raise and lower the ottoman 4/5 times to ensure the gas piston are fully lubricated.

