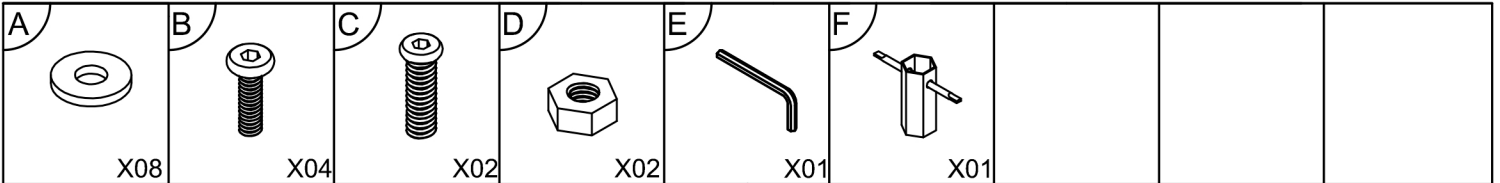
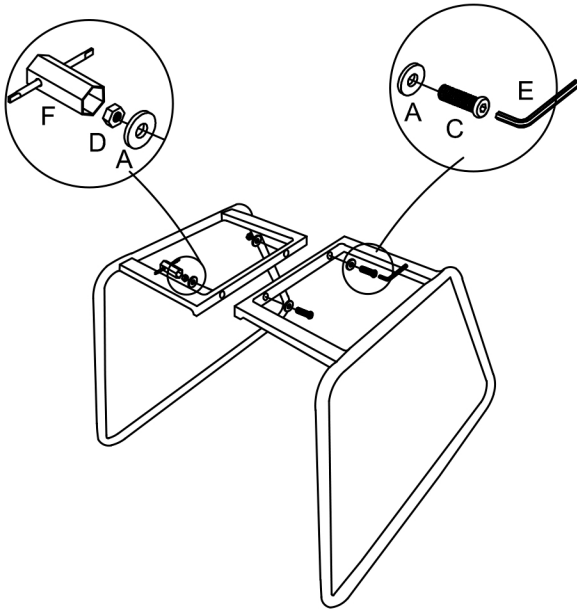


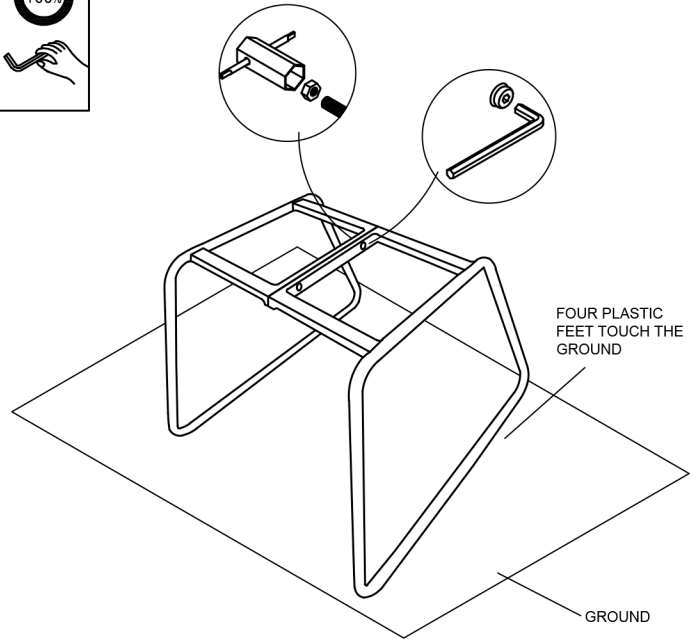
# ASSEMBLY INSTRUCTION



## STEP 1.



## STEP 2.



## STEP 3.

