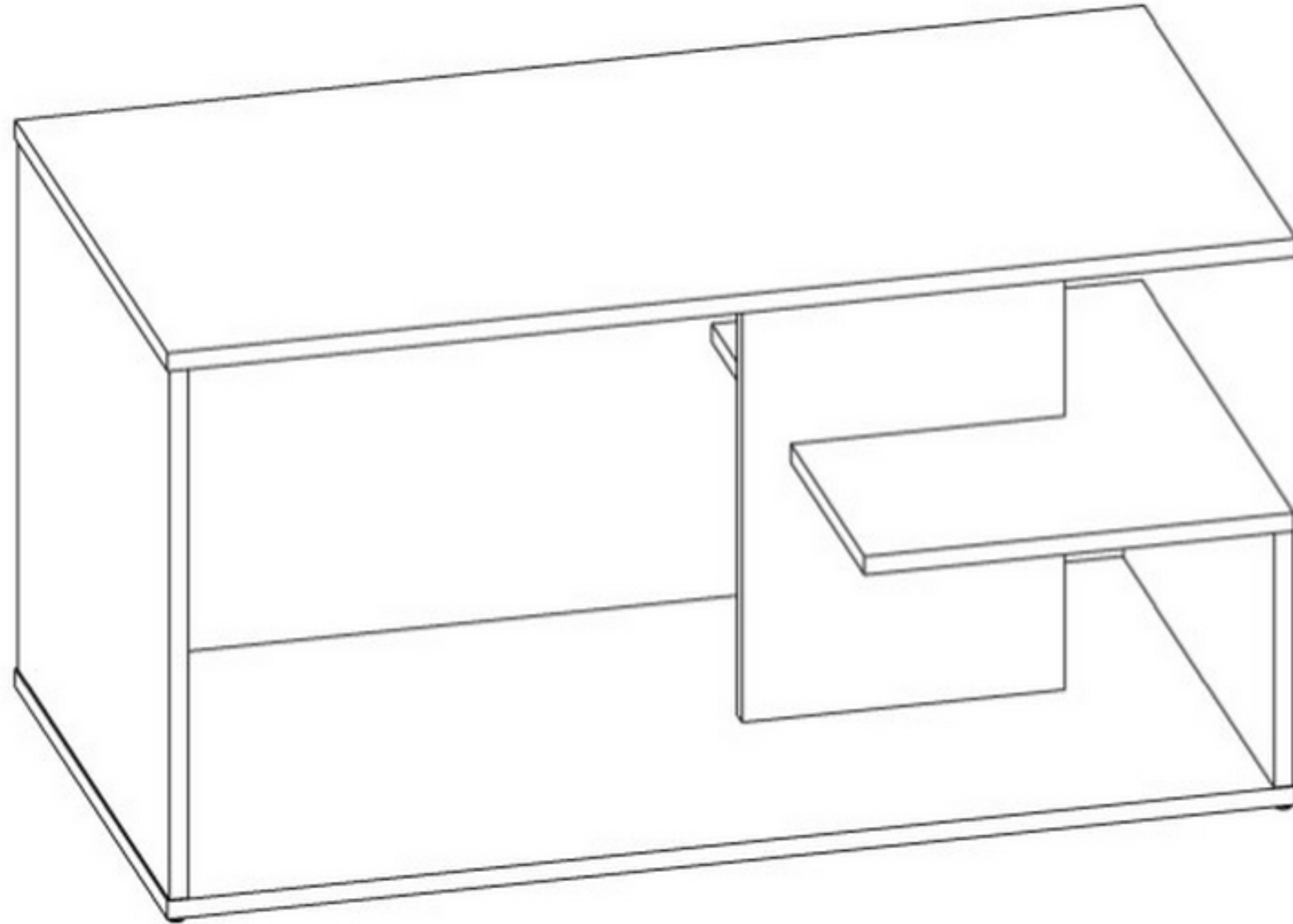
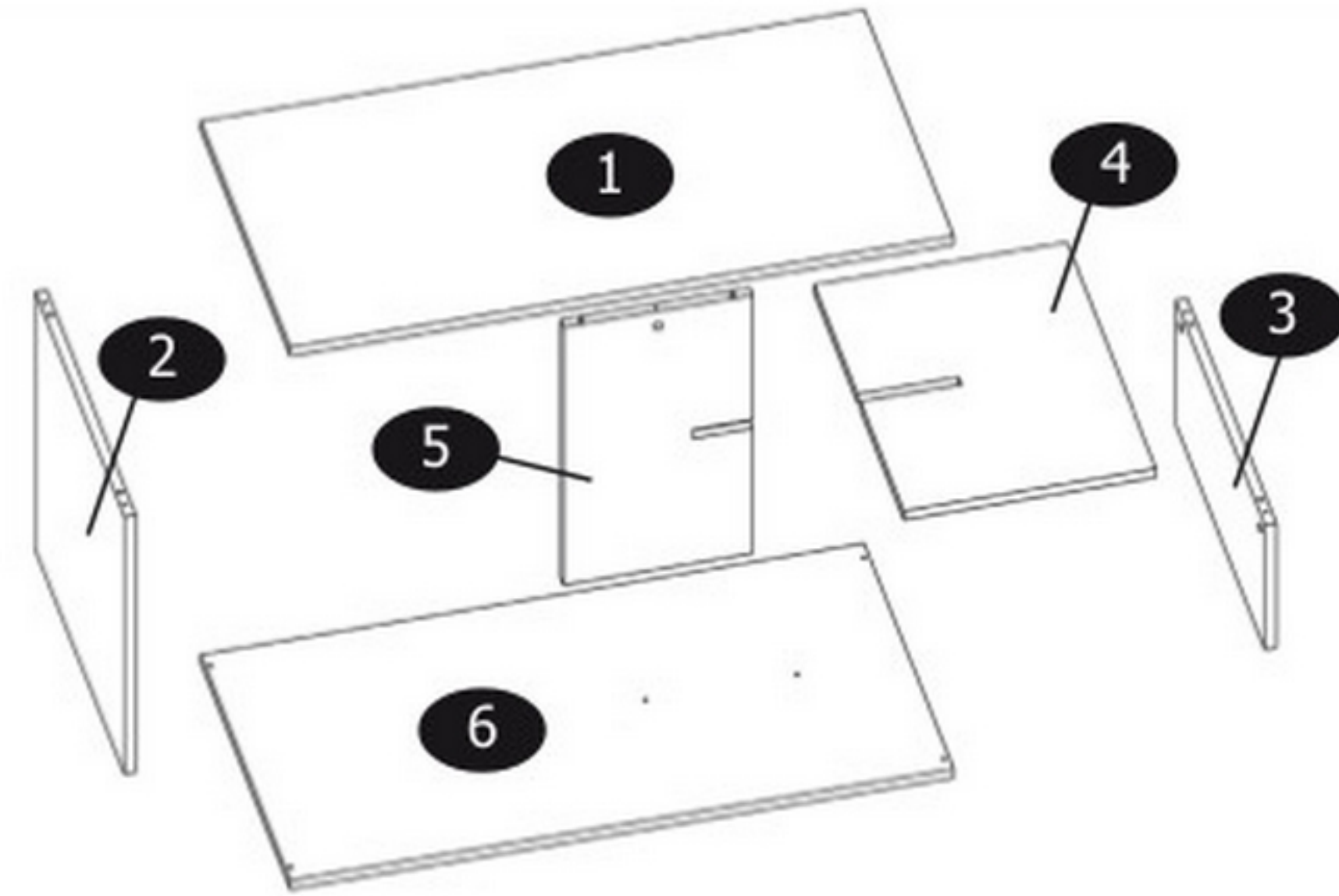


DALLAS

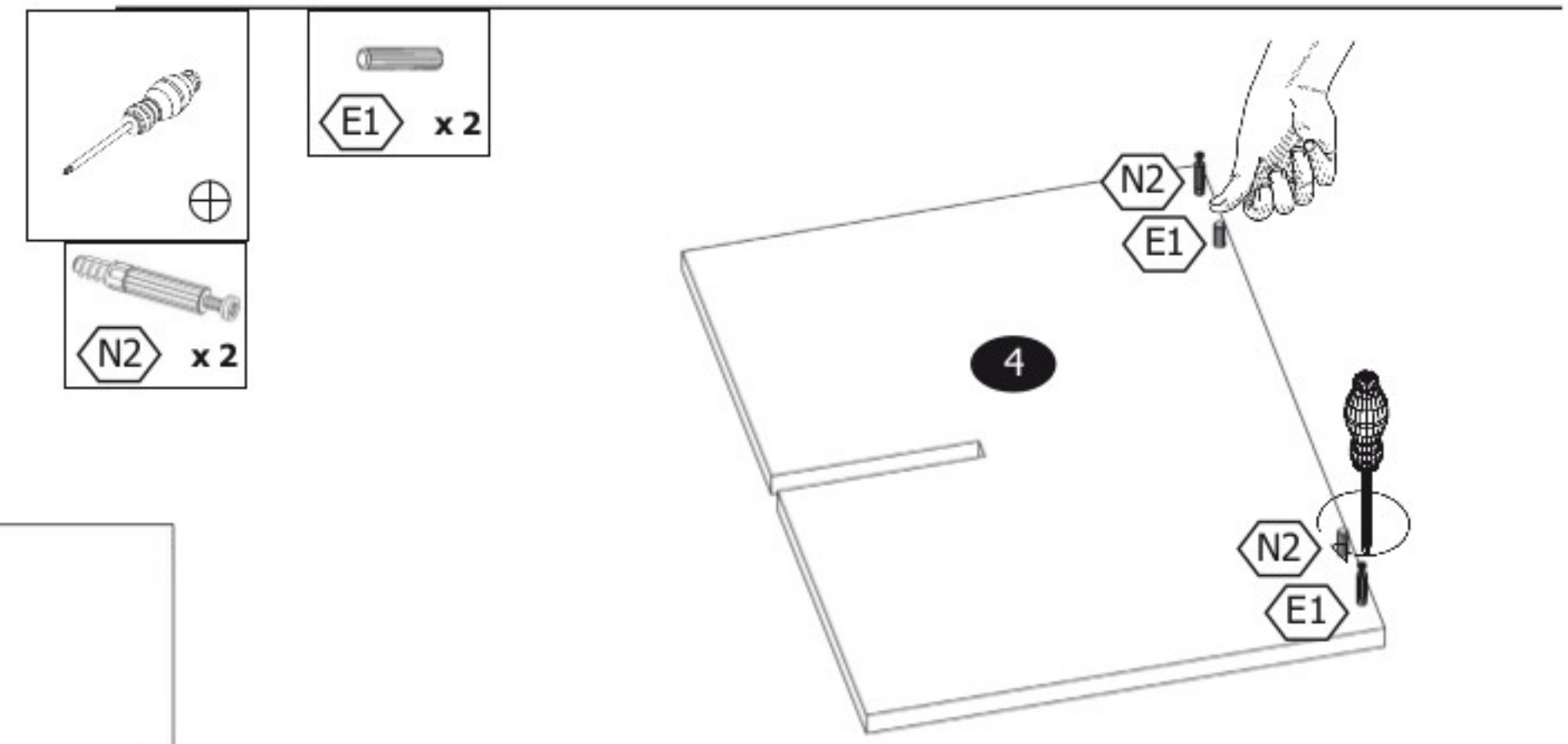
12.06.2017










- 1 X 1
- 2 X 1
- 3 X 1
- 4 X 1
- 5 X 1
- 6 X 1

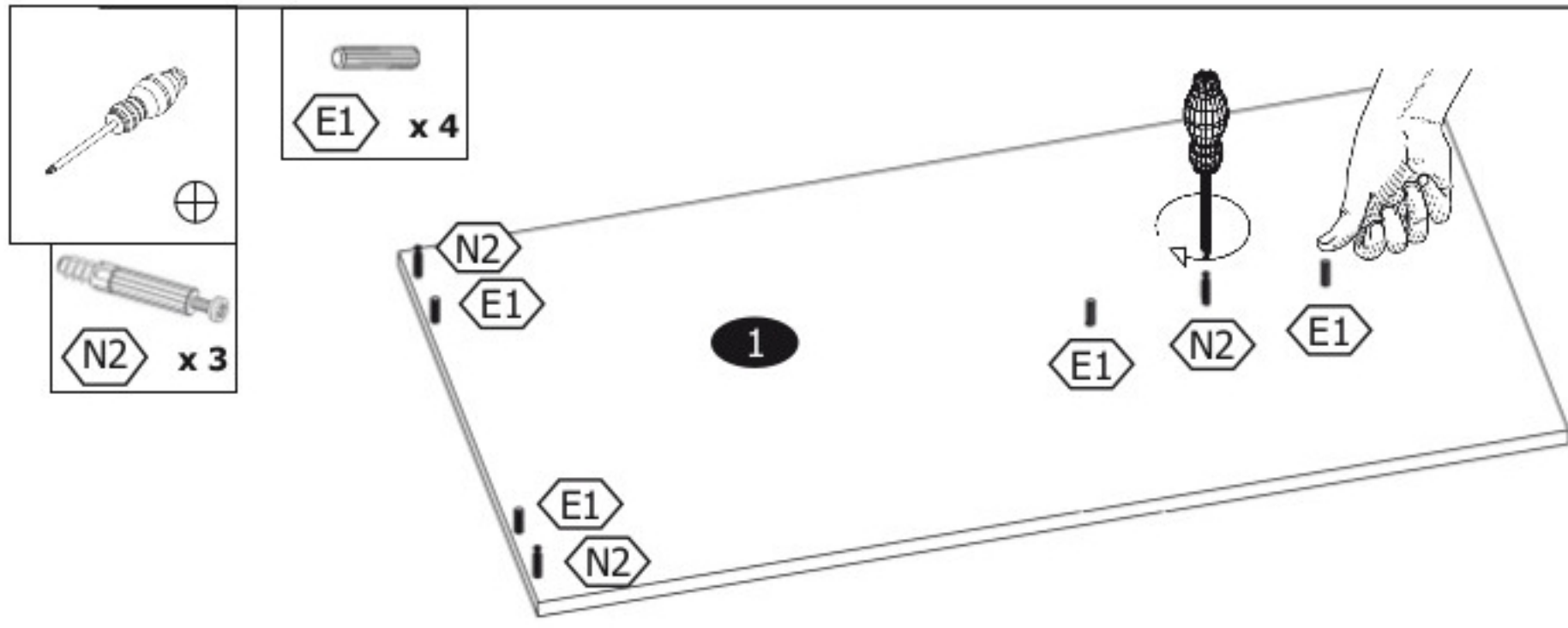


1

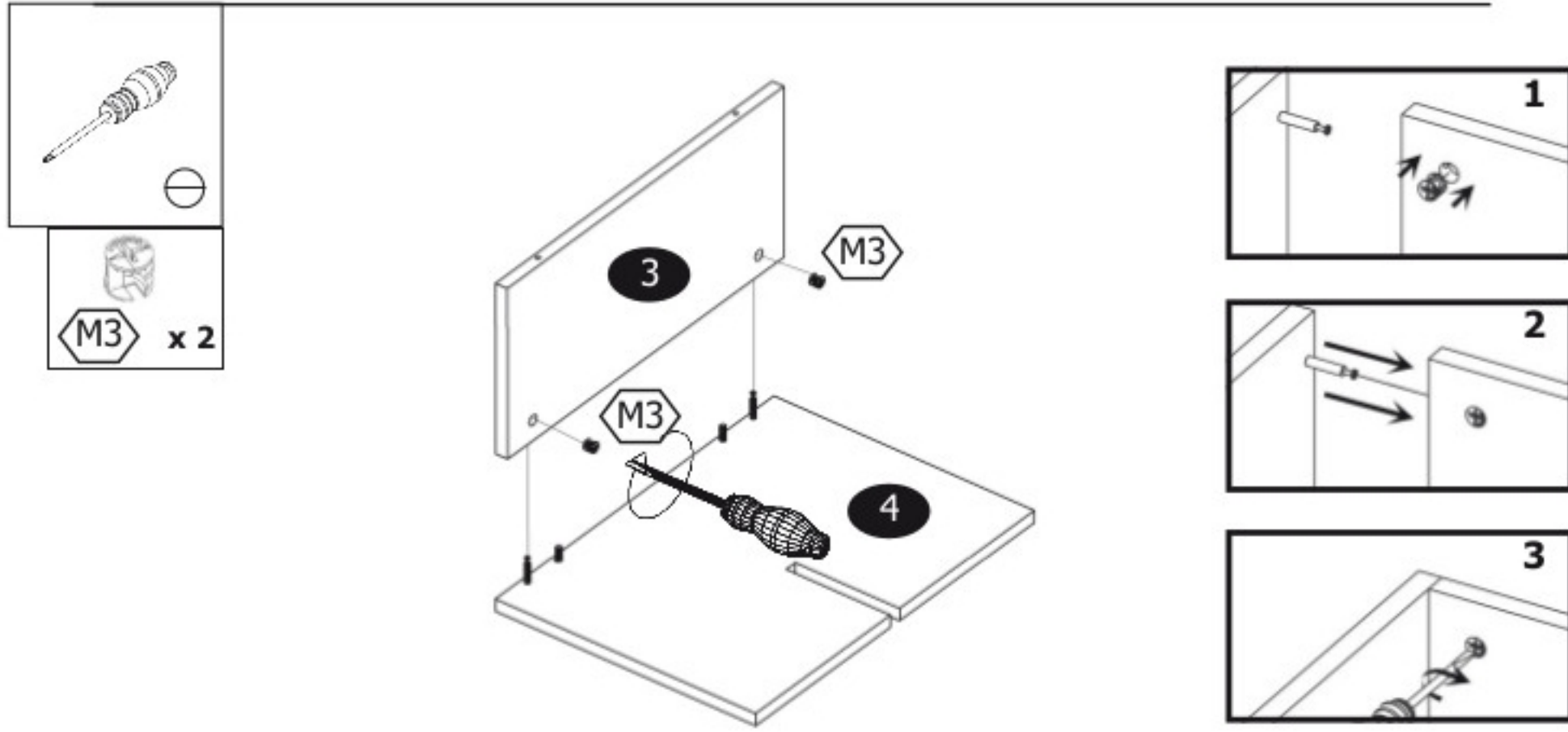


 K1 X 1	 F2 7x50mm X 6	 M3 12x15mm X 5	 T1 X 4
 N2 L=45mm X 5	 E1 8x35mm X 6	 M2 ø17mm X 4	

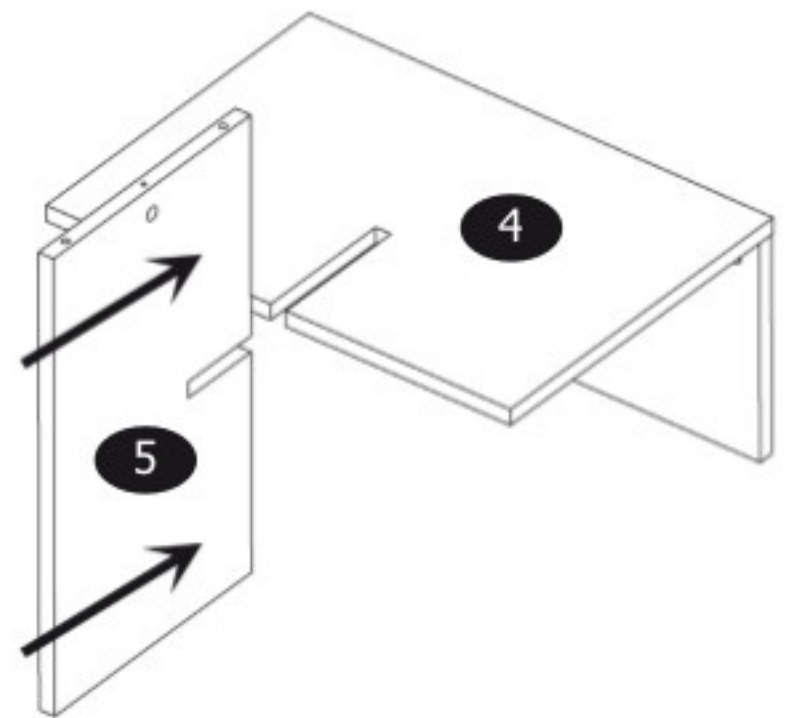
2



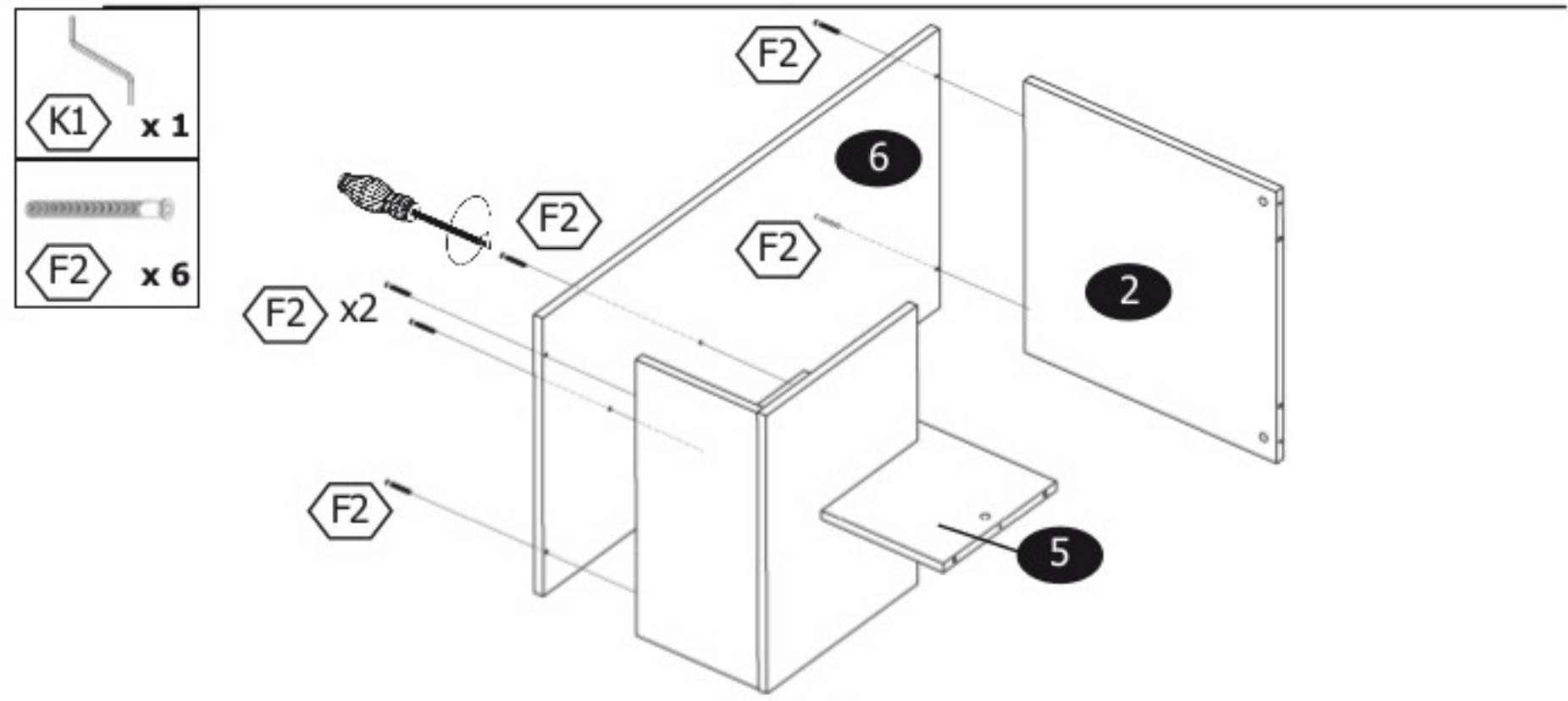
3



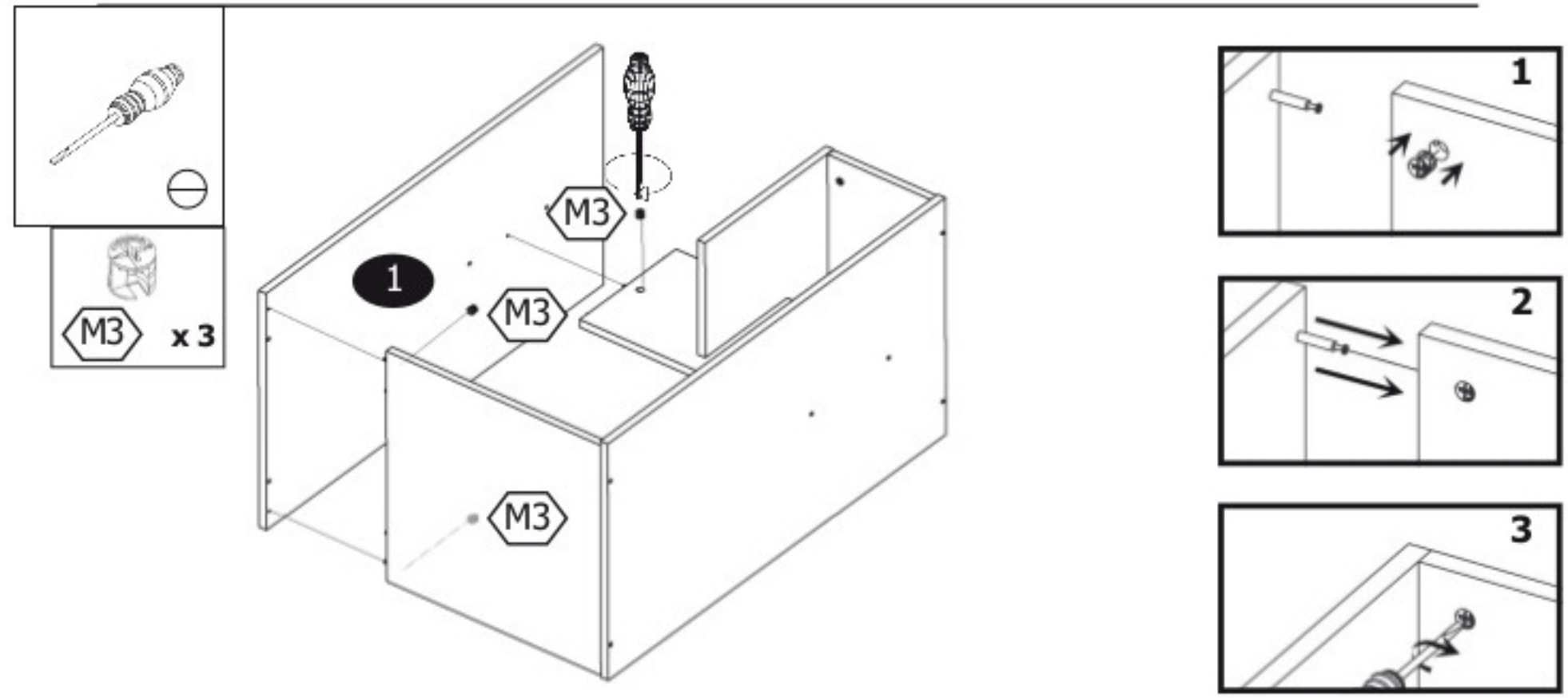
4



5



6



7

