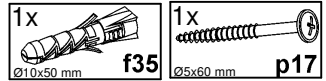
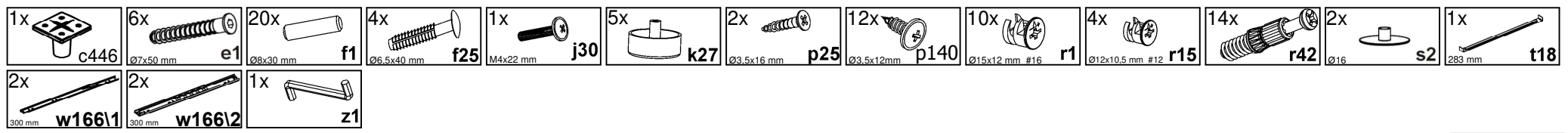
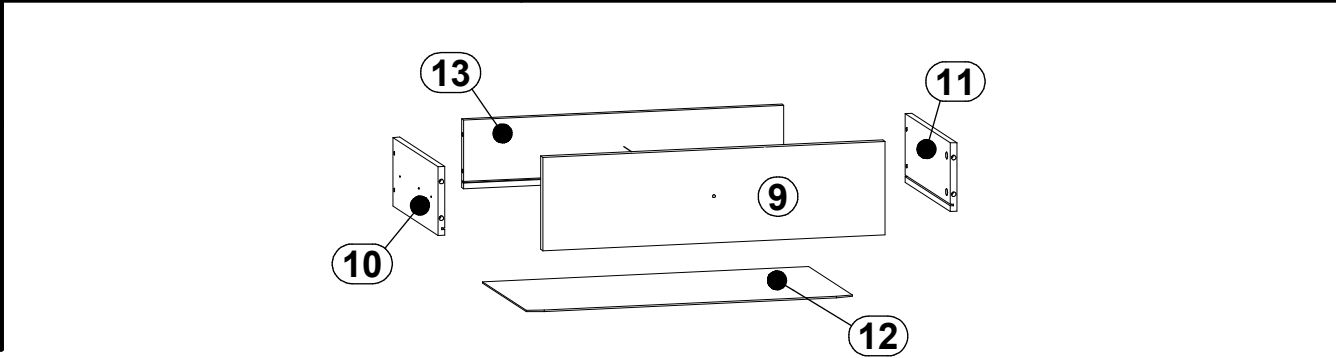
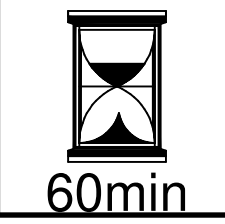
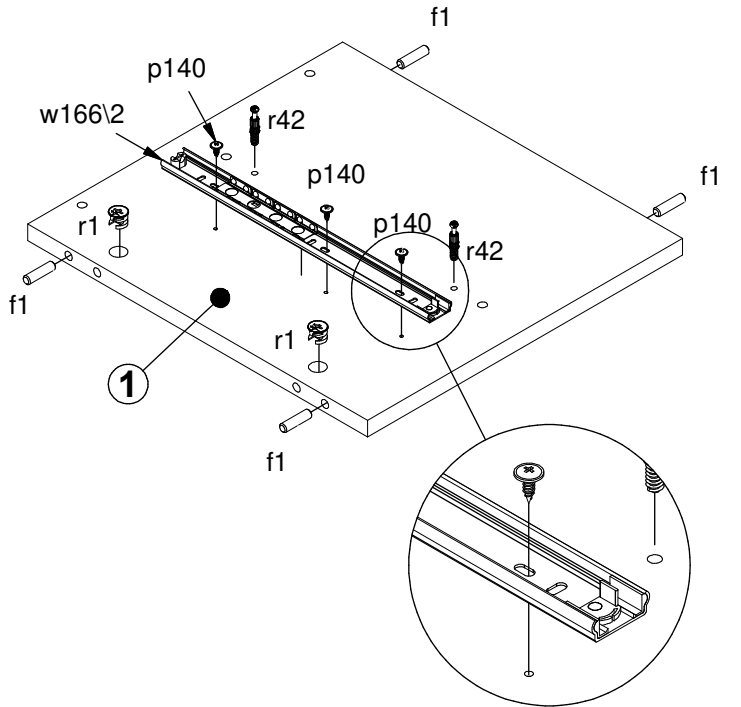
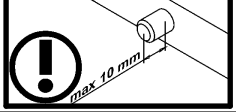
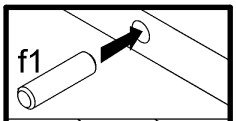
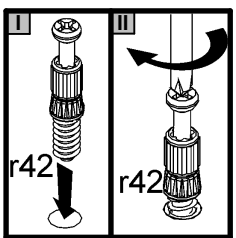
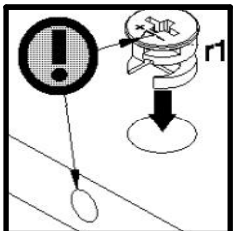
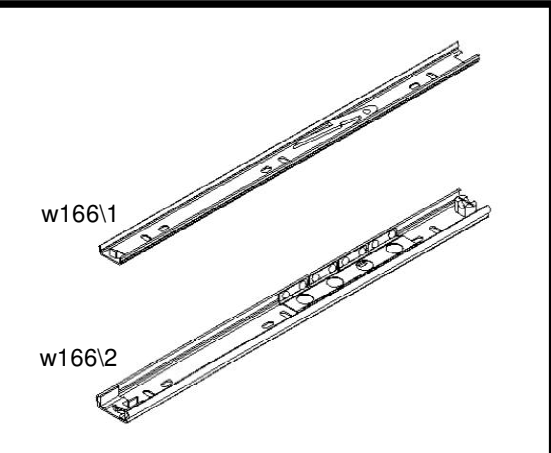
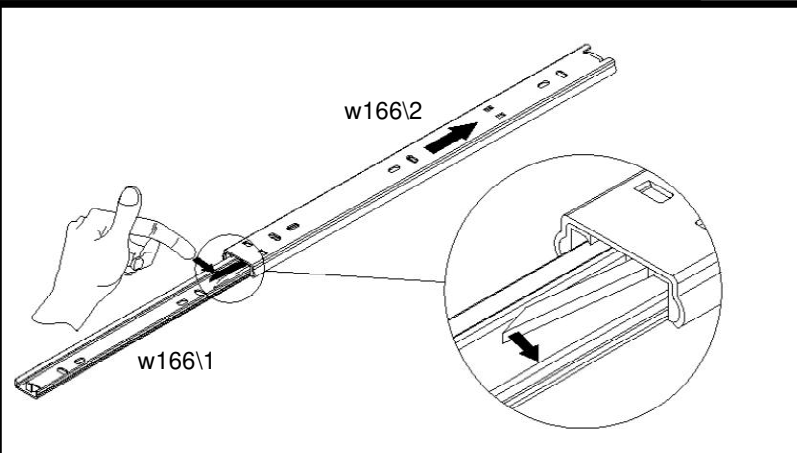


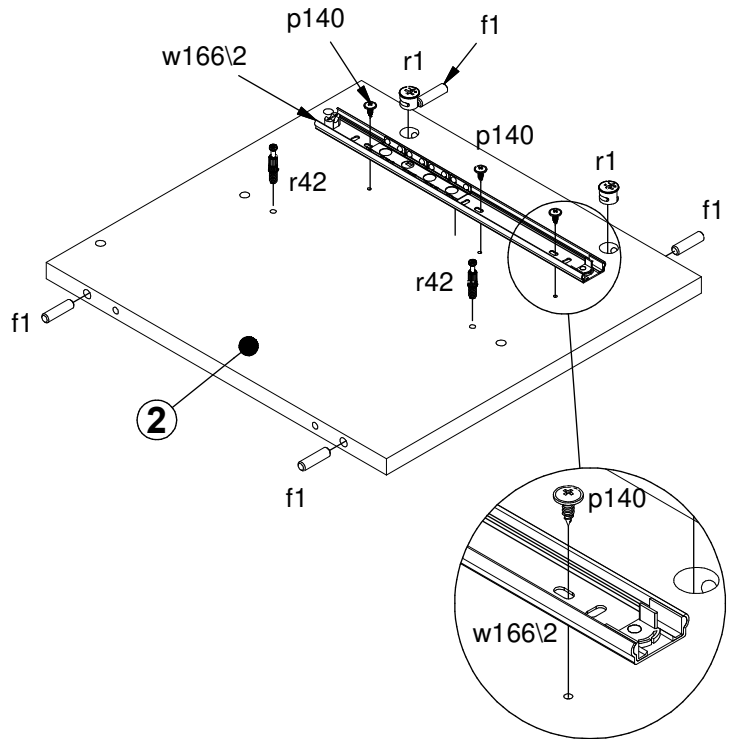
A	B	C (mm)		D
1	M196-1006	354	382	1/1
2	M196-1007	354	382	1/1
3	M196-1008	169	362	1/1
4	M196-2005	669	400	1/1
5	M196-2006	649	387	1/1
6	M196-3009	616	362	1/1
7	M196-4302	354	616	1/1
8	M196-5701	648	390	1/1
9	S248-0016	163	610	1/1
10	WSK3-503	300	120	1/1
11	WSK3-504	300	120	1/1
12	WSP-9091	581	298	1/1
13	WTR-5027	571	120	1/1



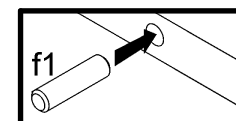
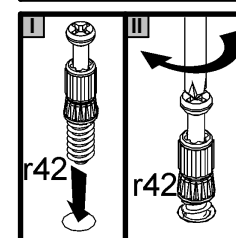
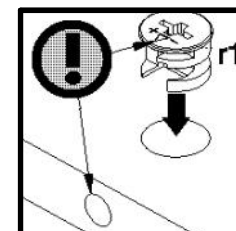
1



- 1x  
  
300 mm w166\2
- 3x  
  
Ø3.5x12mm p140
- 4x  
  
Ø8x30 mm f1
- 2x  
  
Ø15x12 mm #16 r1
- 2x  
  
r42



- 1x  
  
300 mm w166\2
- 3x  
  
Ø3.5x12mm p140
- 4x  
  
Ø8x30 mm f1
- 2x  
  
Ø15x12 mm #16 r1
- 2x  
  
r42

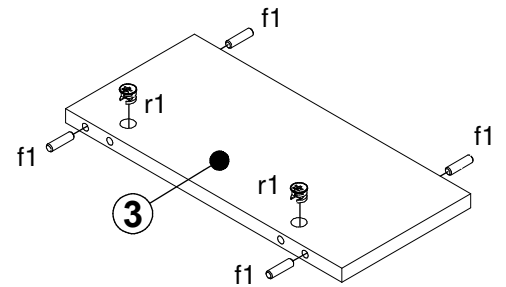
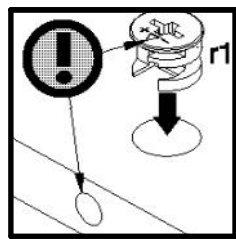
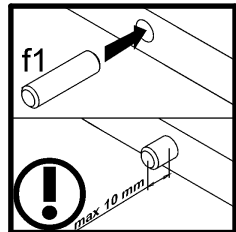


A

M196-SFK1S/5/7

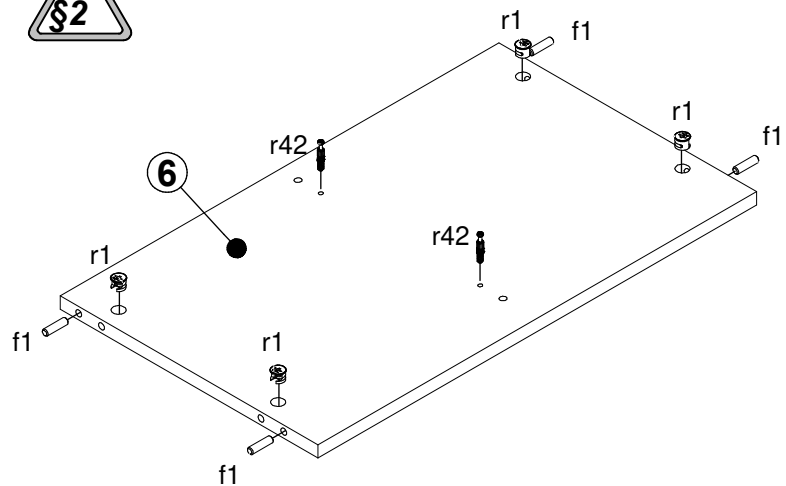
3064--60

4 / 8

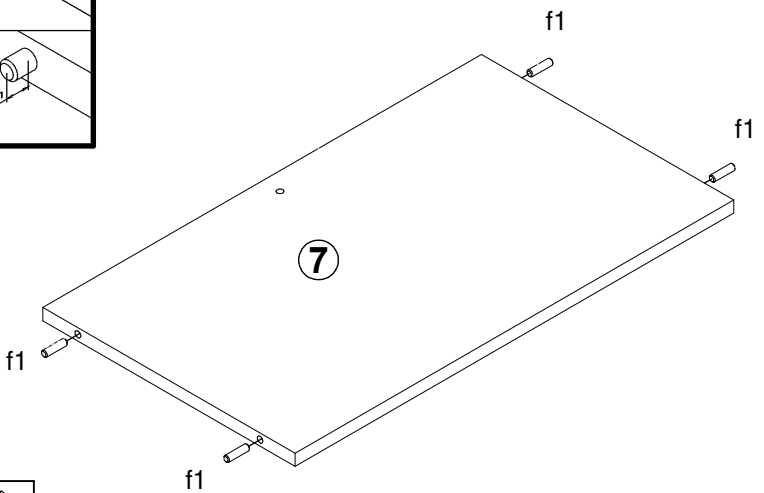
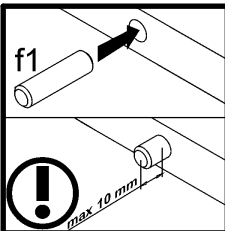
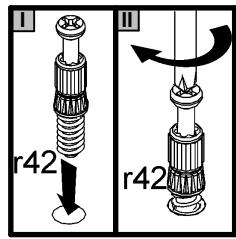
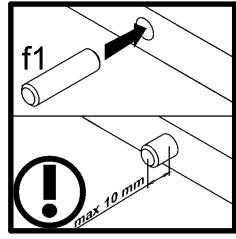
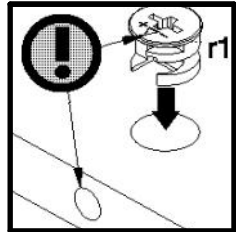


- 4x Ø8x30 mm f1
- 2x Ø15x12 mm #16 r1

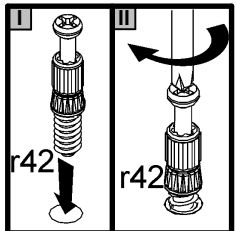
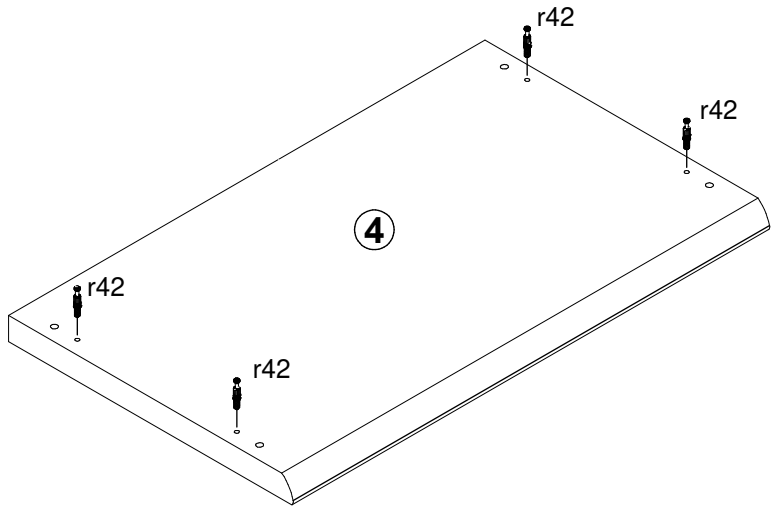
1



- 4x Ø8x30 mm f1
- 4x Ø15x12 mm #16 r1
- 2x r42

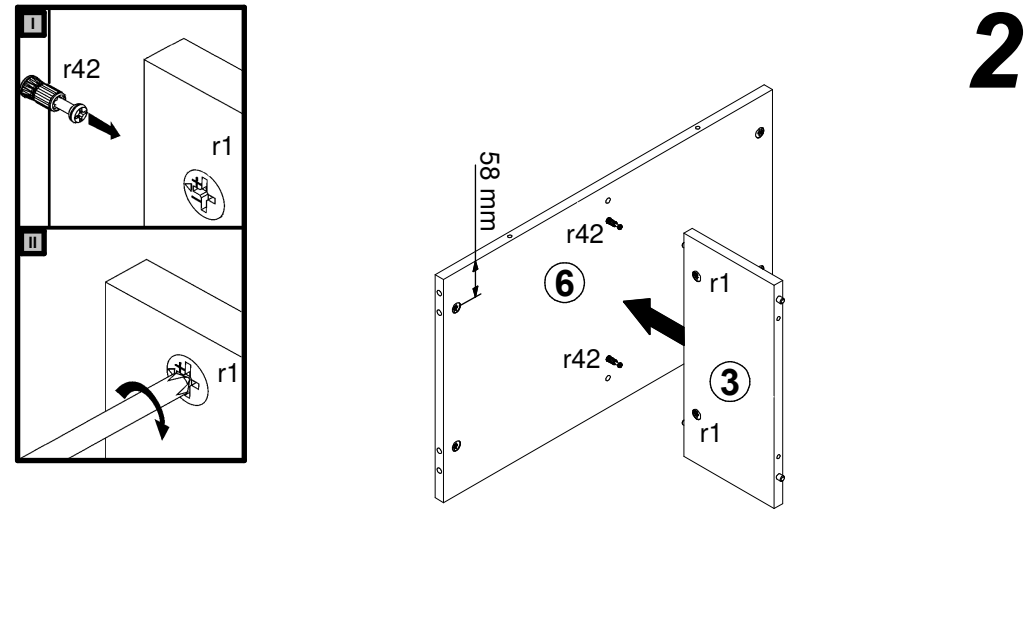


- 4x Ø8x30 mm f1

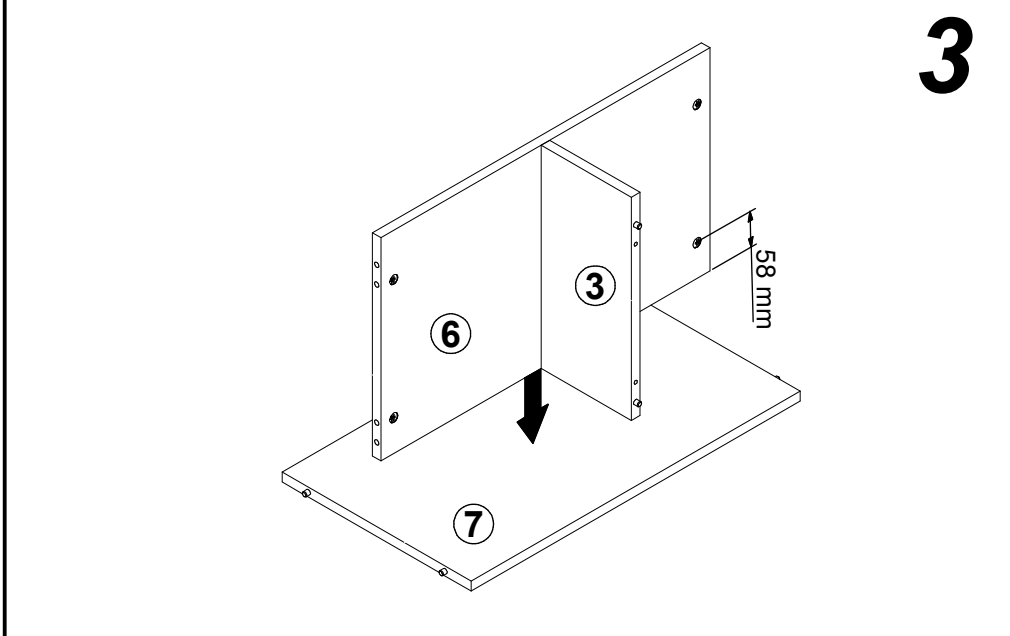


- 4x r42

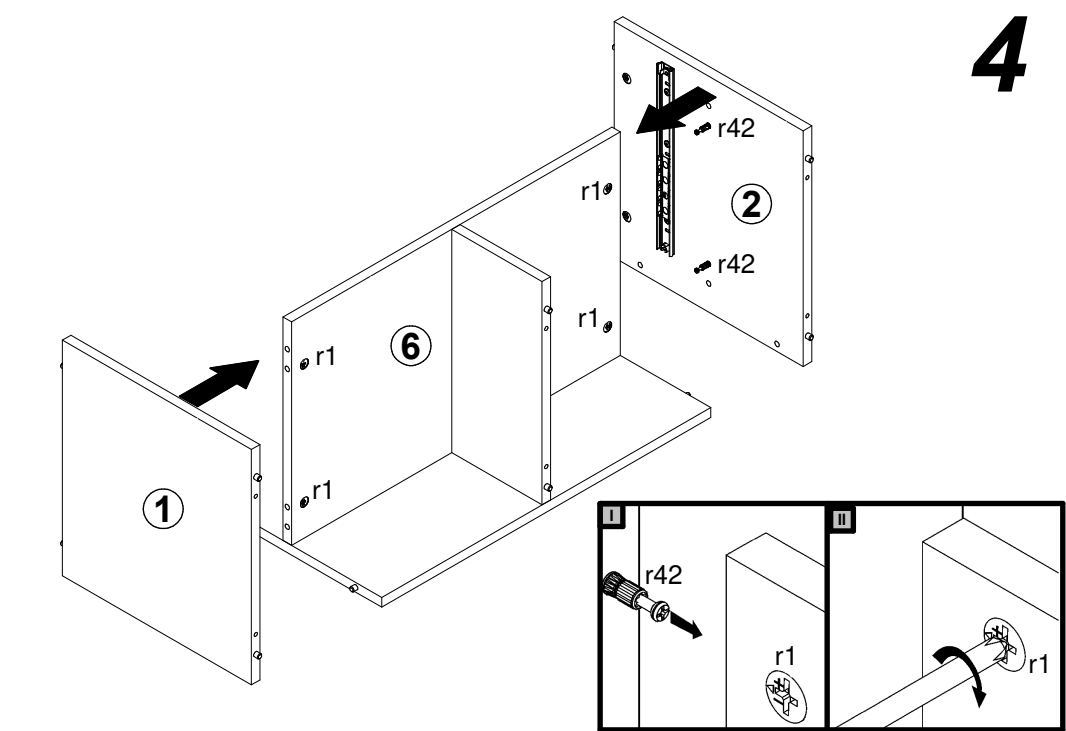
2



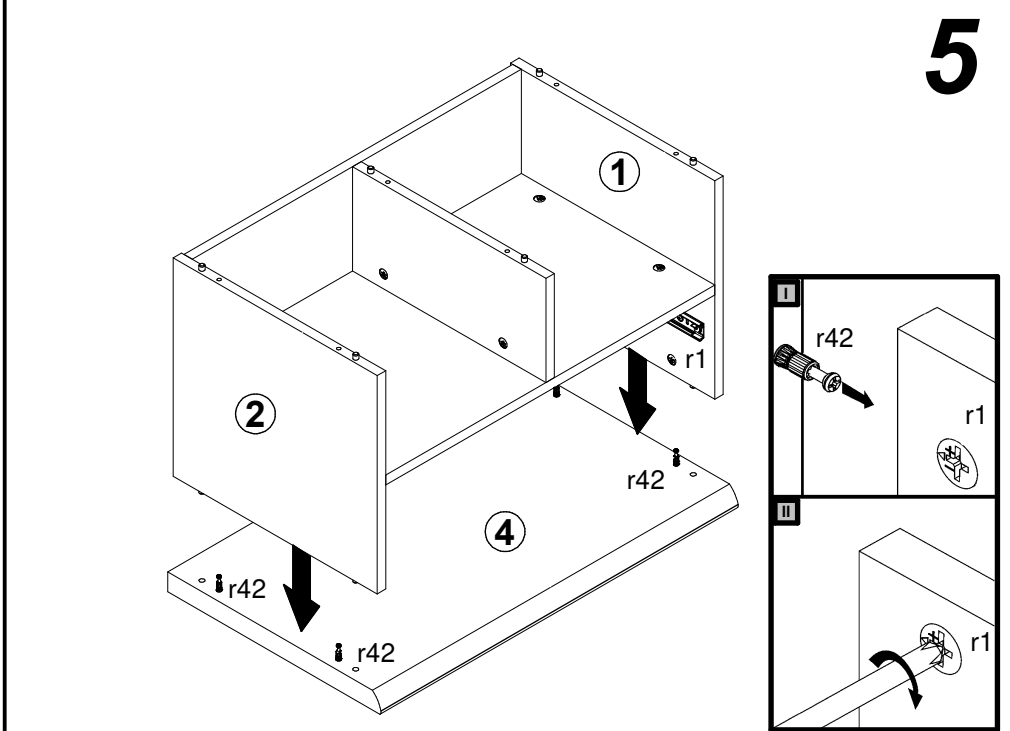
3



4



5

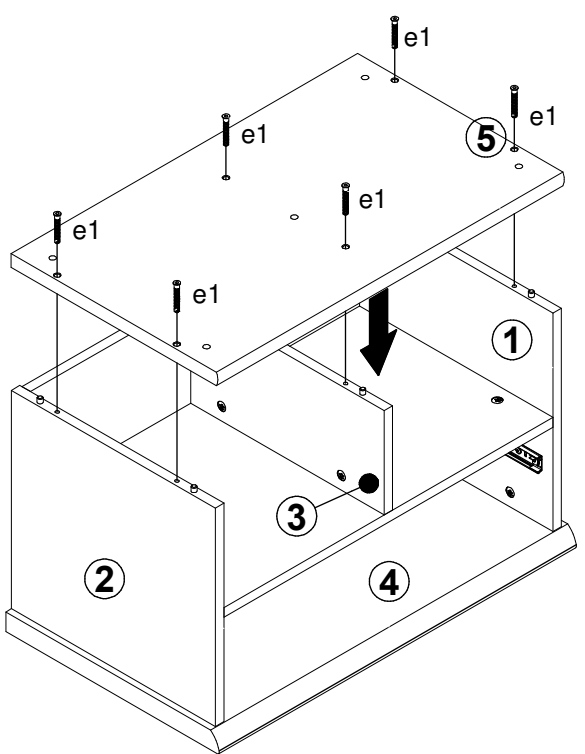
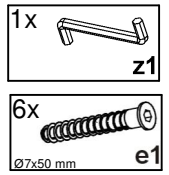
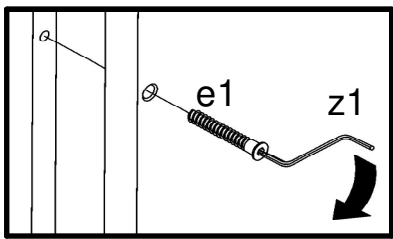


A

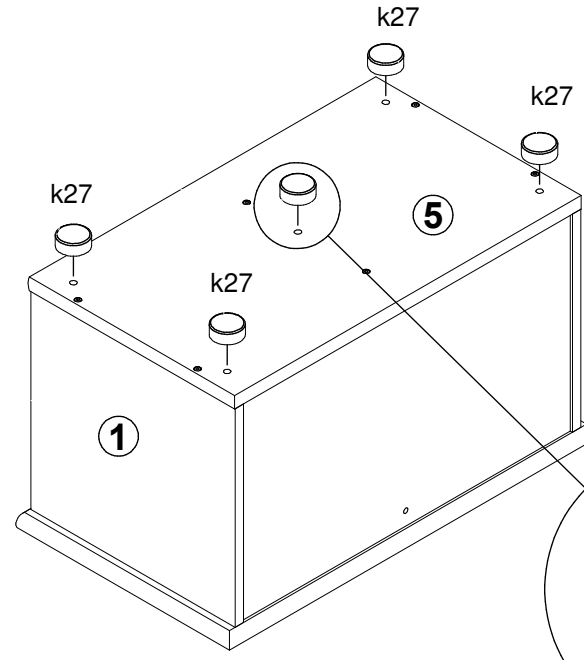
M196-SFK1S/5/7

3064--60

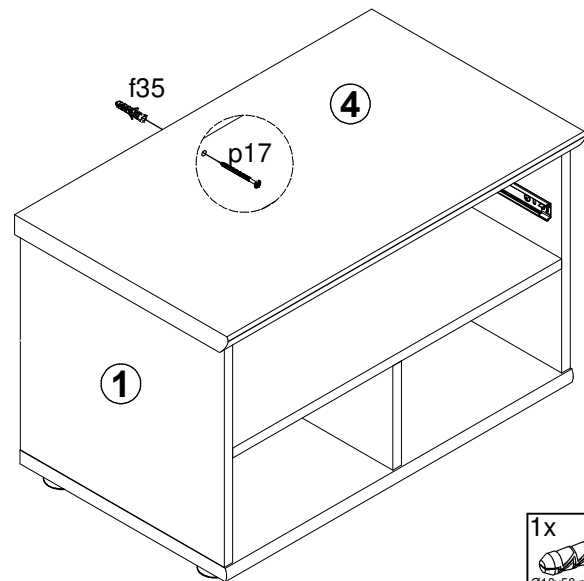
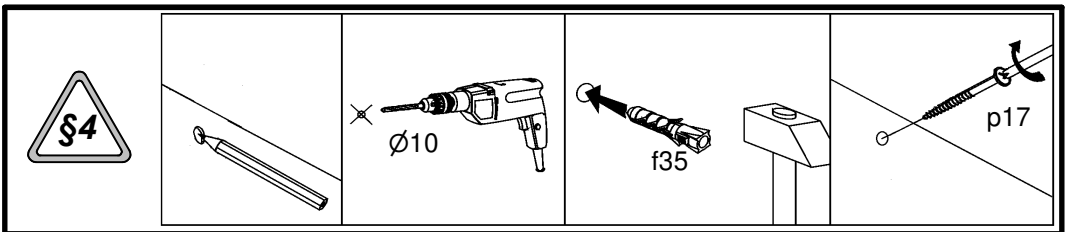
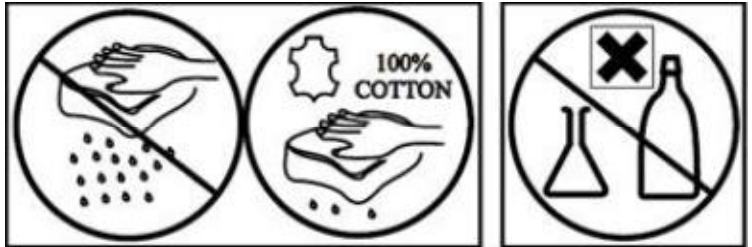
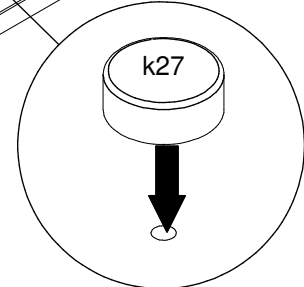
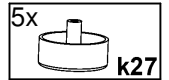
6 / 8



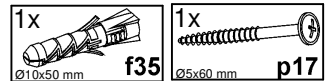
6



7



8



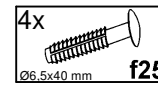
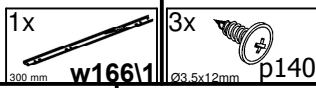
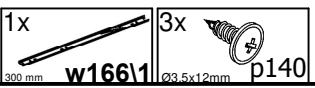
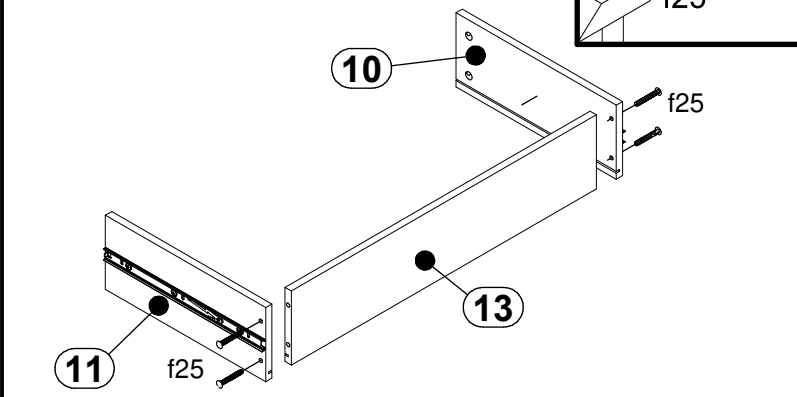
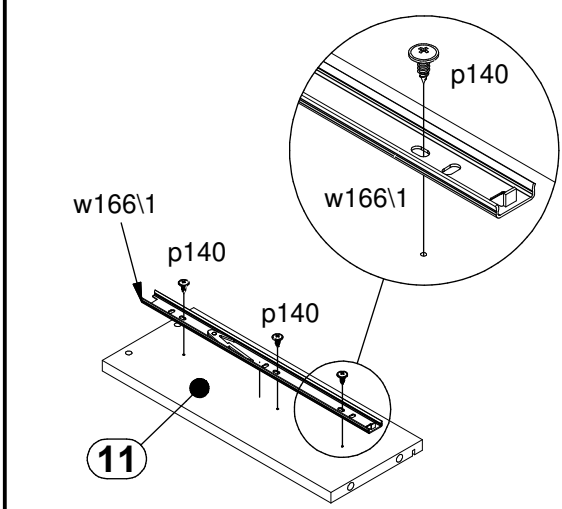
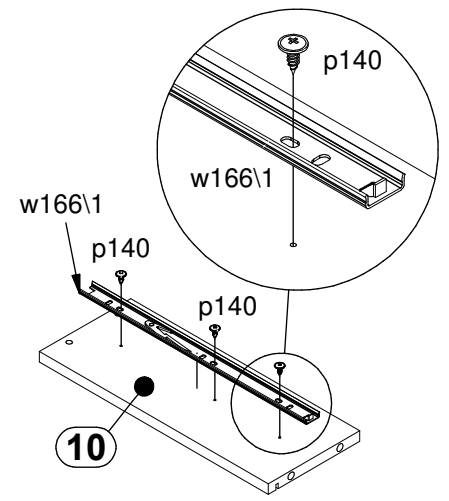
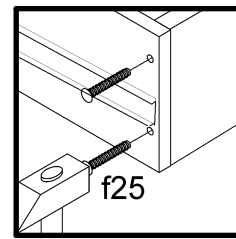
9



I

II

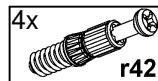
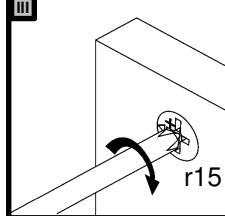
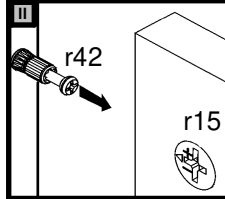
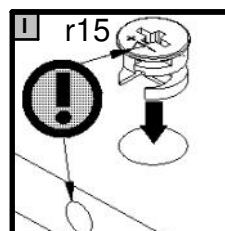
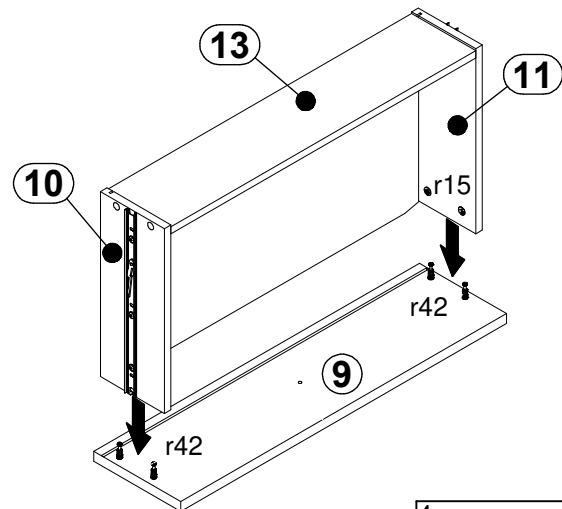
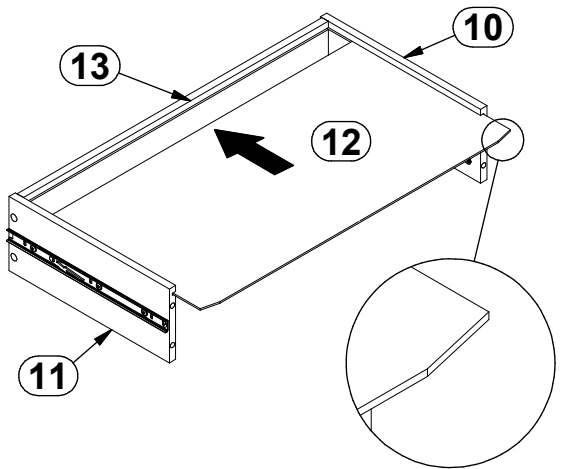
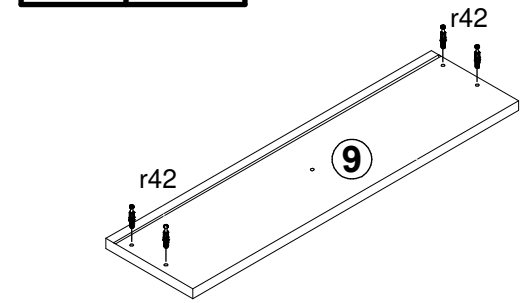
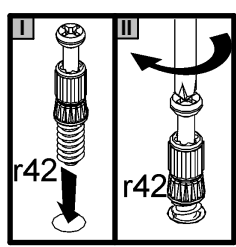
III



IV

V

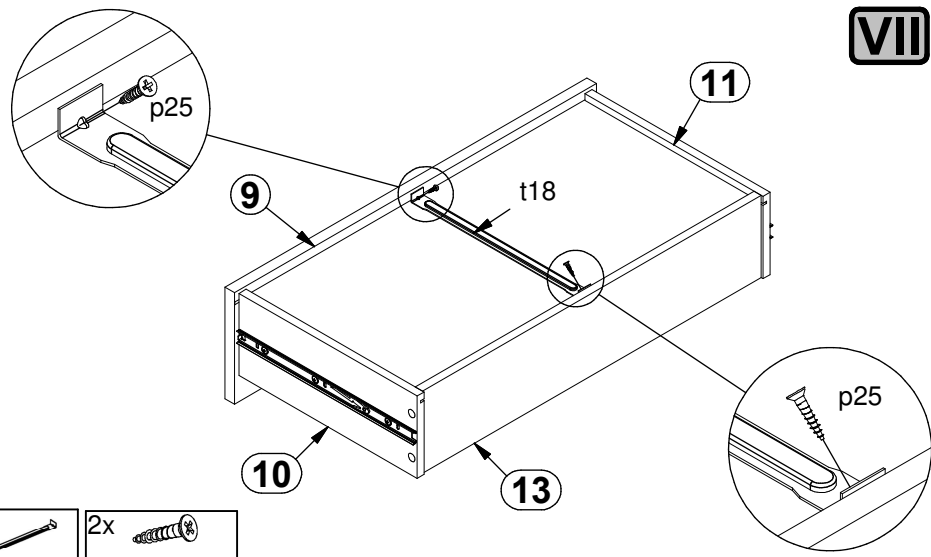
VI



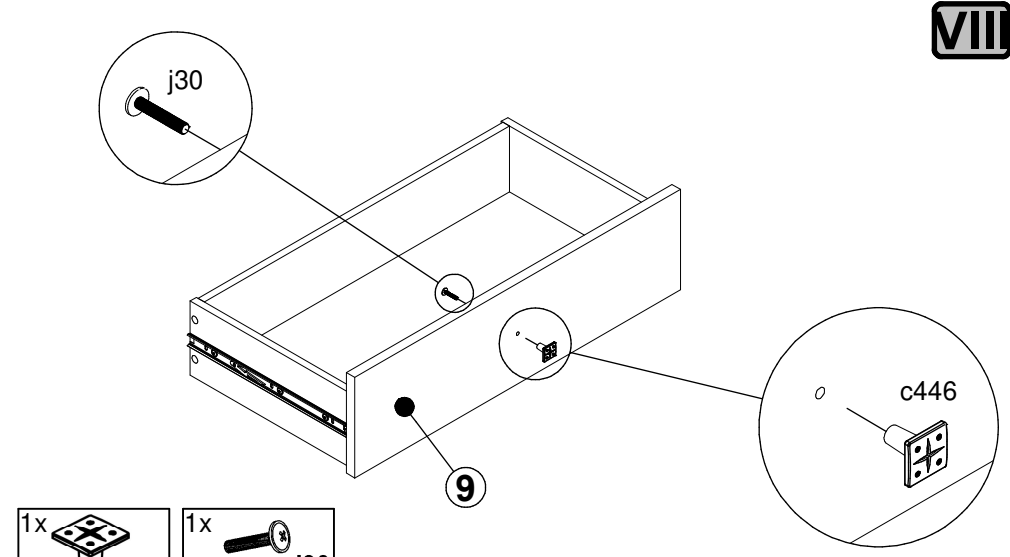
9

VII

VII

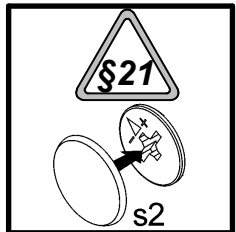


- 1x t18 283 mm
- 2x p25 Ø3,5x16 mm

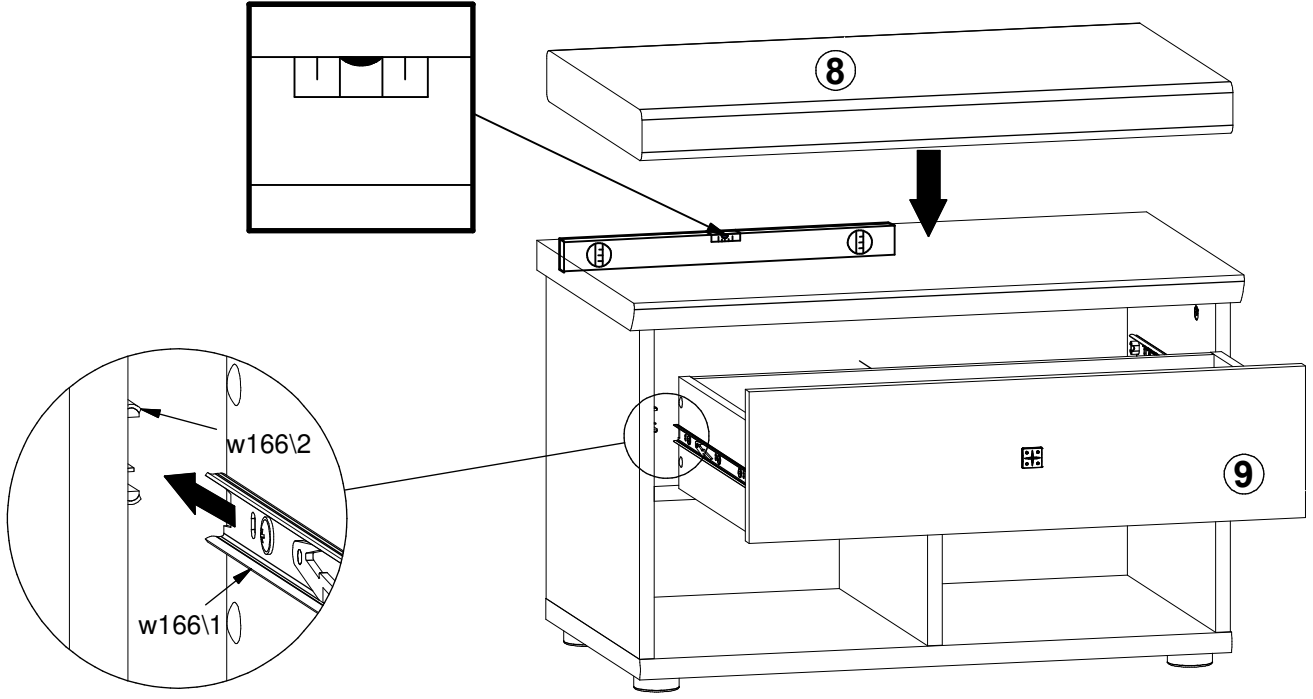


- 1x c446
- 1x j30 M4x22 mm

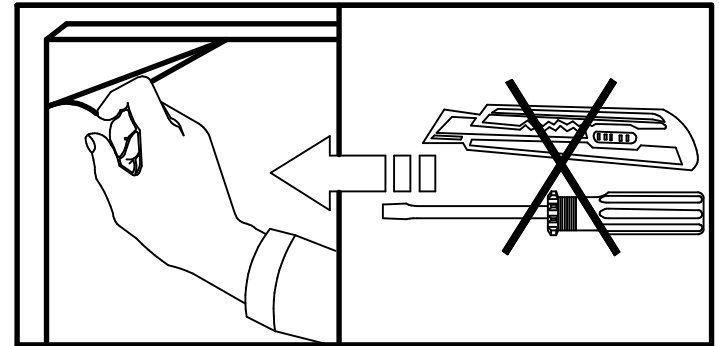
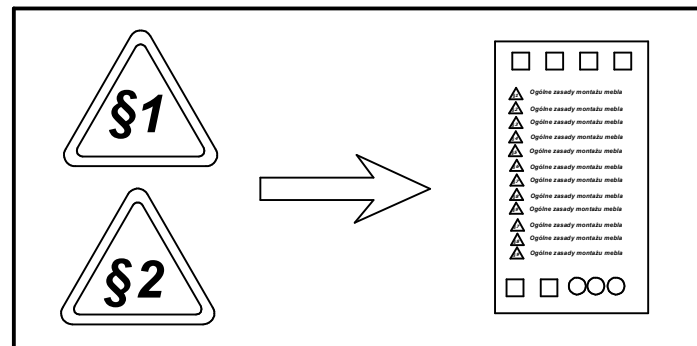
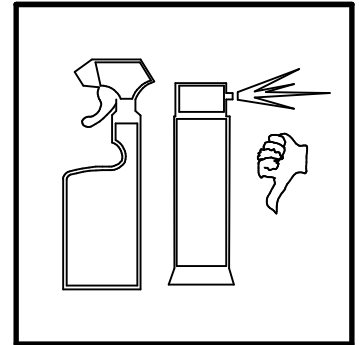
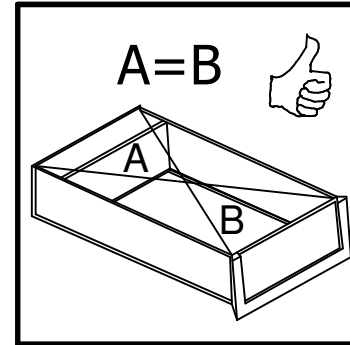
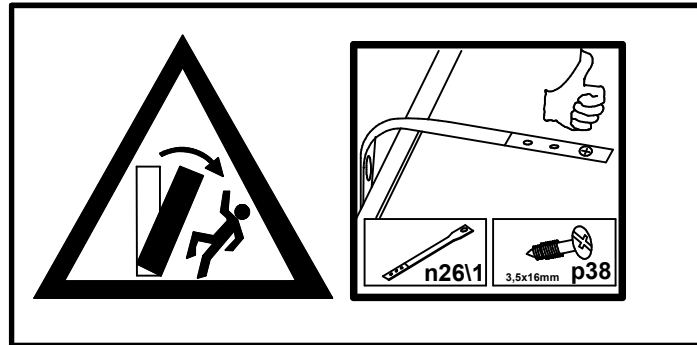
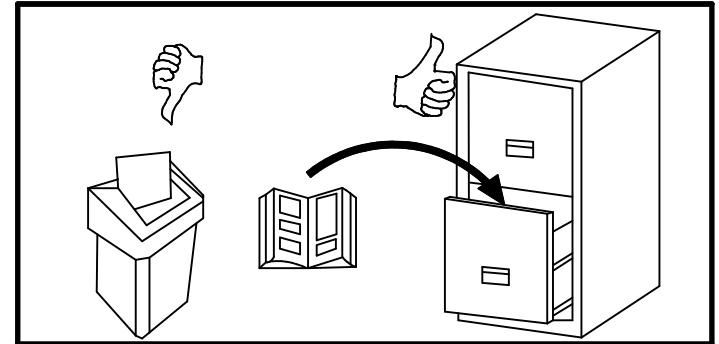
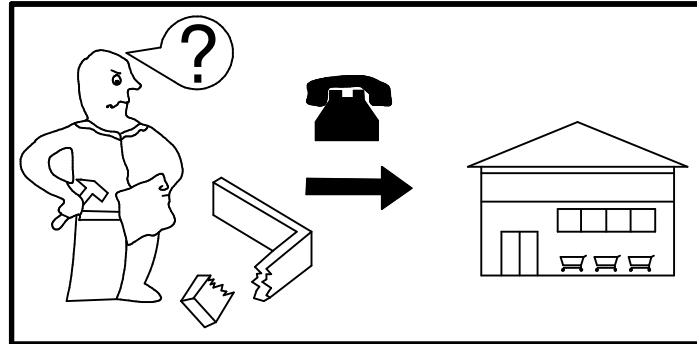
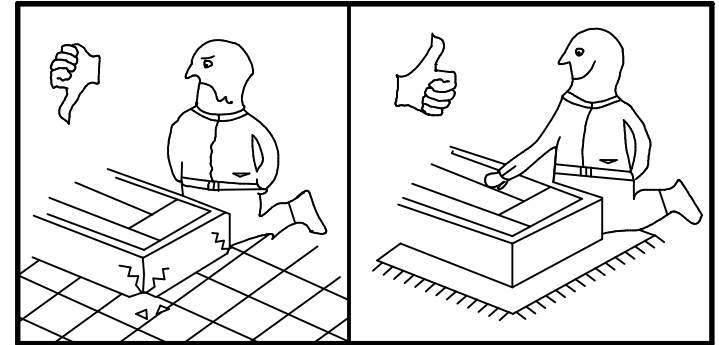
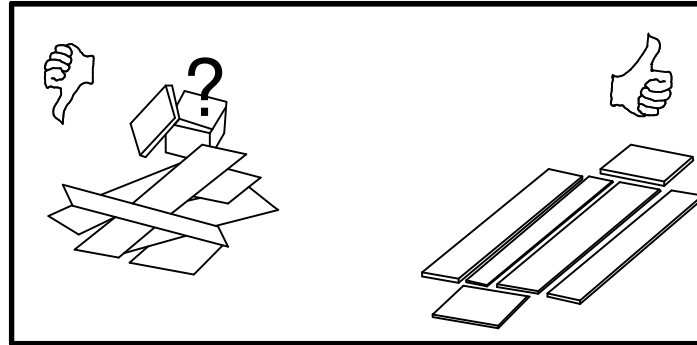
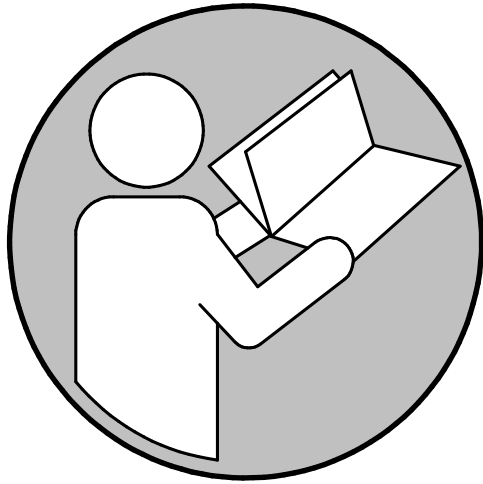
10



- 2x s2 Ø16

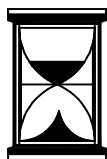
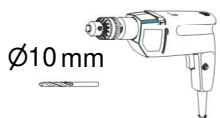
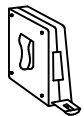
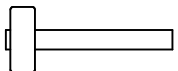
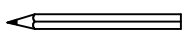
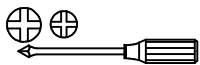
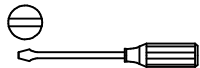
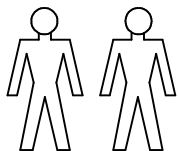
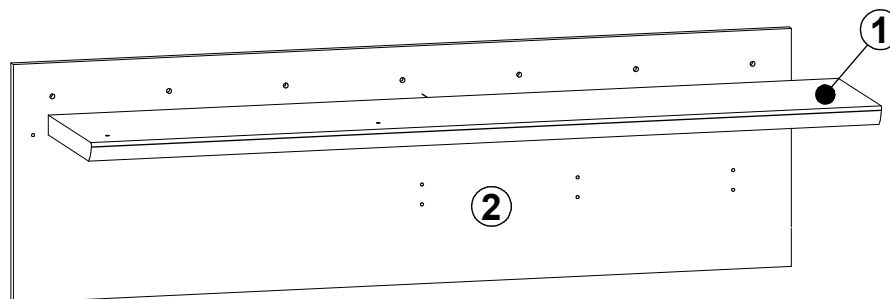




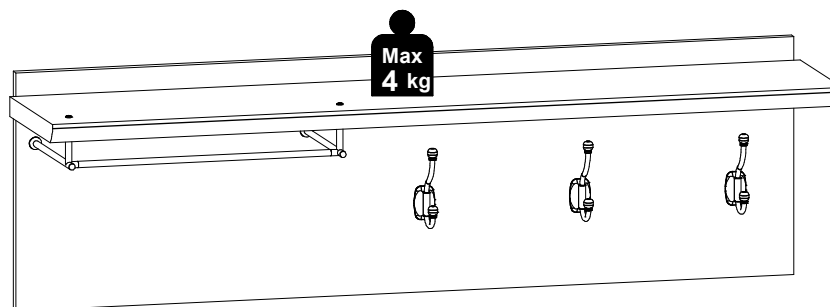


**A****M196-PAN/4/13****3064--40**

2 / 6

**30min**

A	B	C (mm)		D
1	M196-3007	1300	264	1/1
2	M196-4301	1280	384	1/1



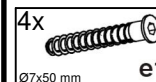
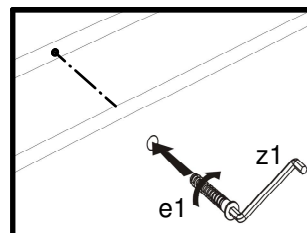
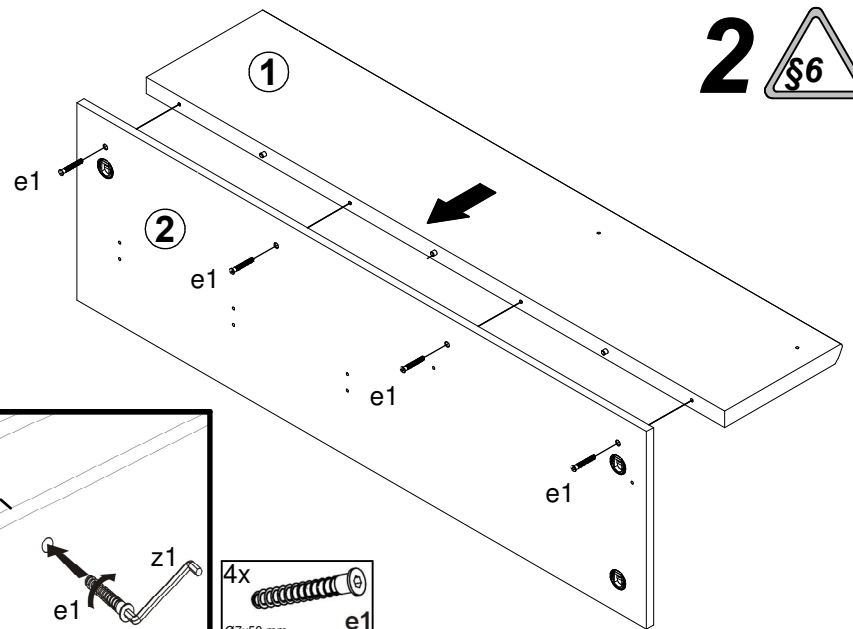
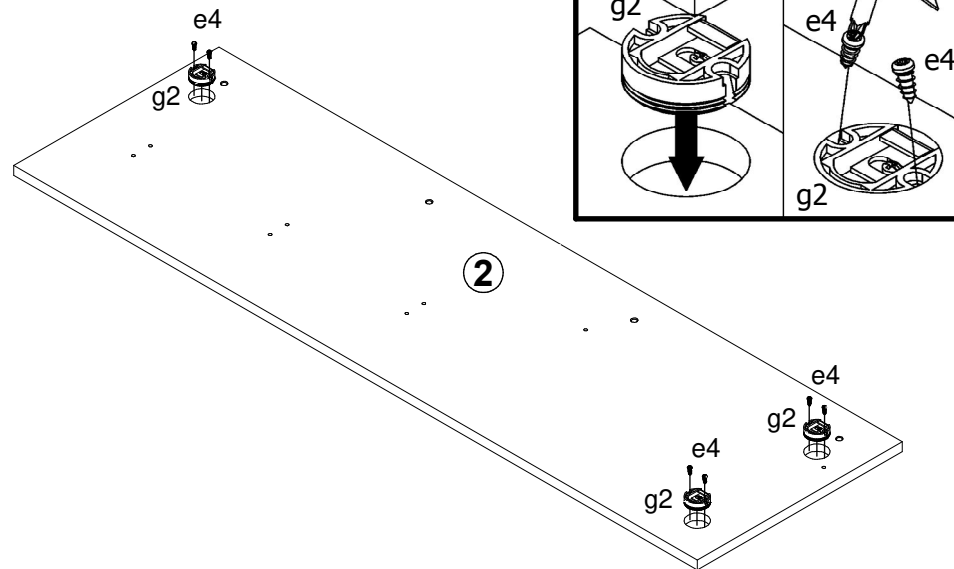
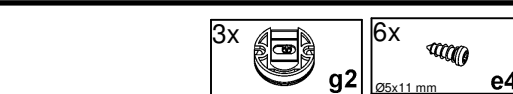
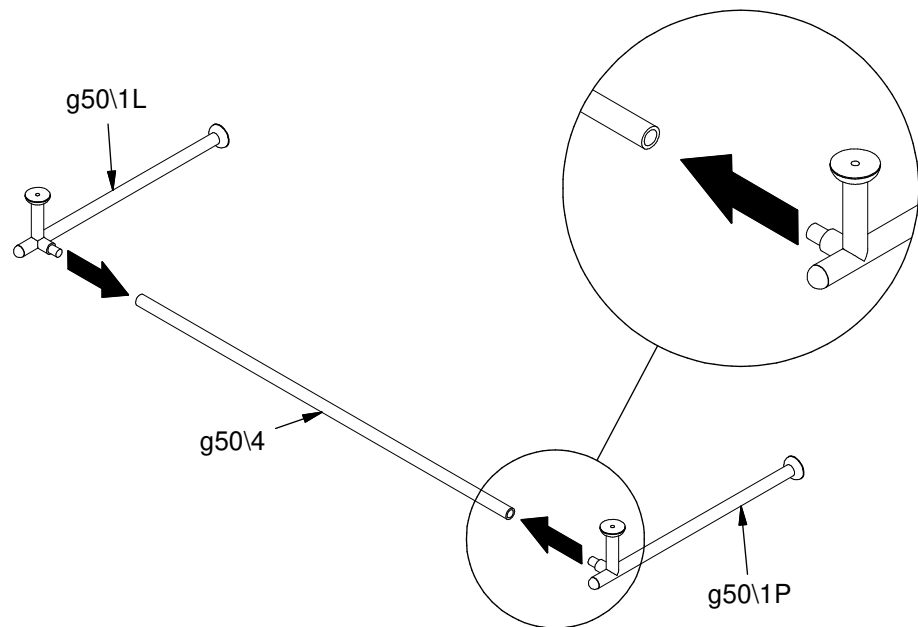
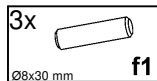
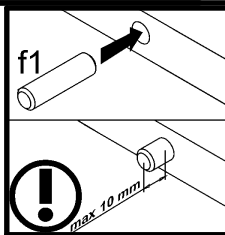
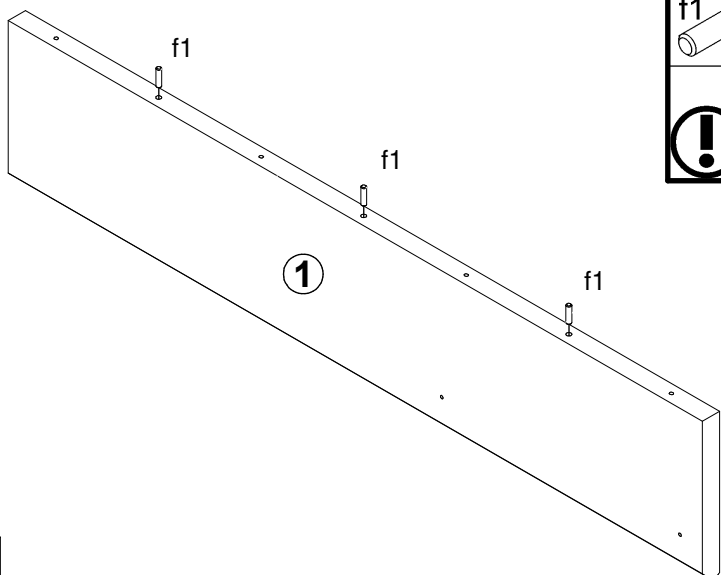
A

M196-PAN/4/13

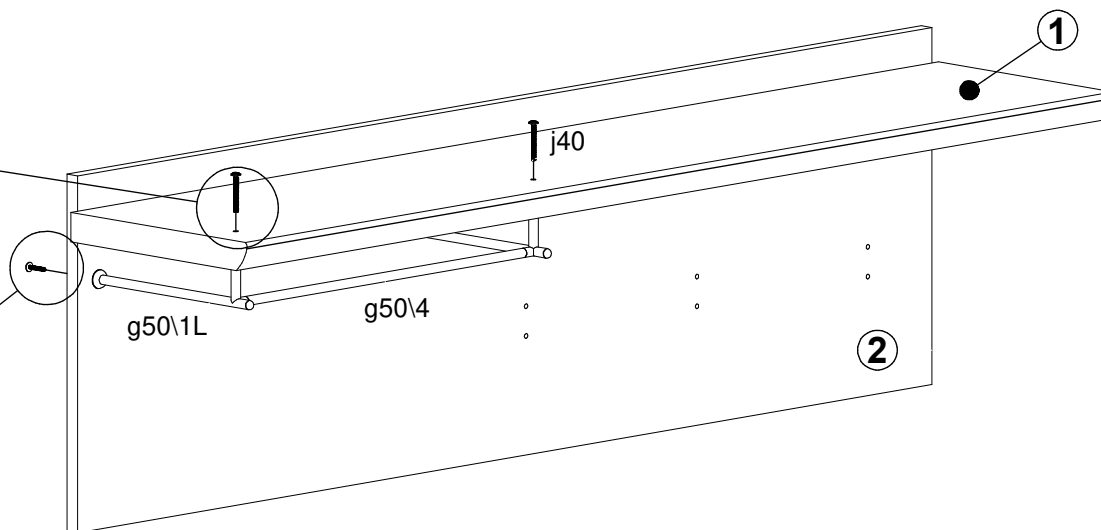
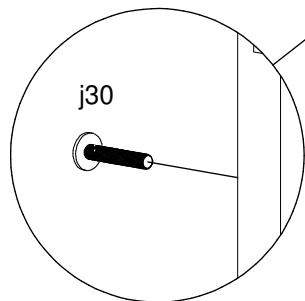
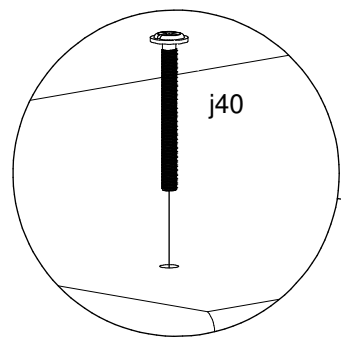
3064--40

3 / 6

1

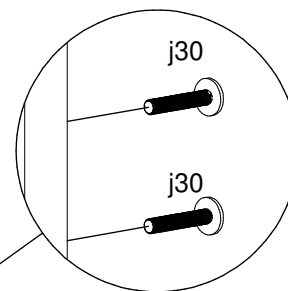
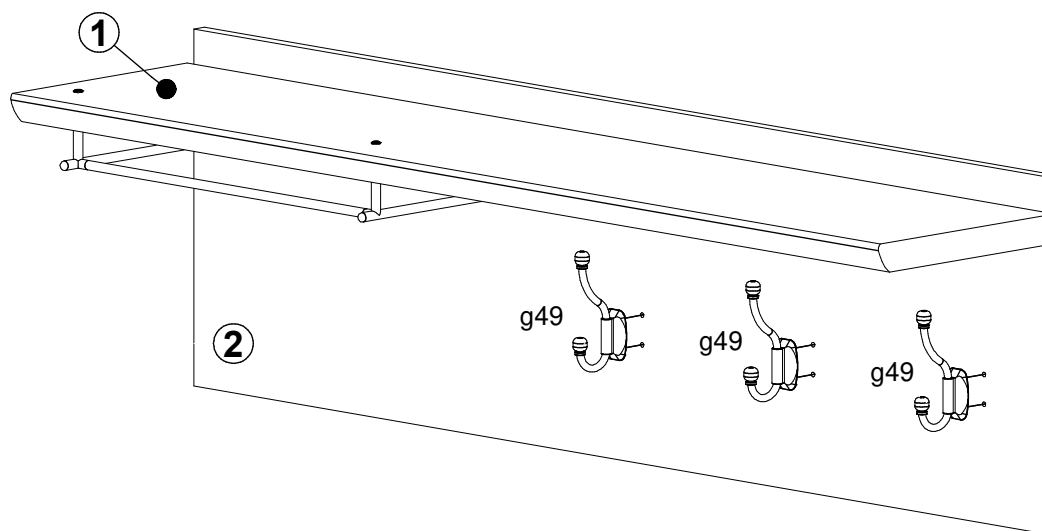


3



- 2x  
M4x40 mm  
**j40**
- 2x  
M4x22 mm  
**j30**
- 1x  
**g50\4**
- 1x  
**g50\1L**
- 1x  
**g50\1P**

4

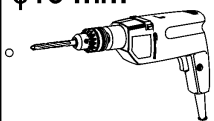


- 6x  
M4x22 mm  
**j30**
- 3x  
**g49**

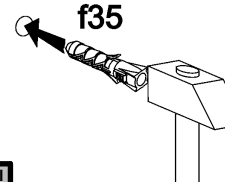
5



φ10 mm

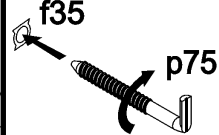


f35



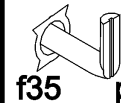
f35

p75

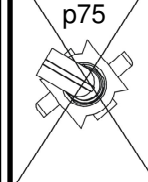


f35

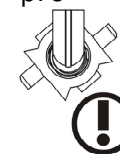
p75



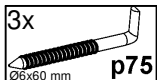
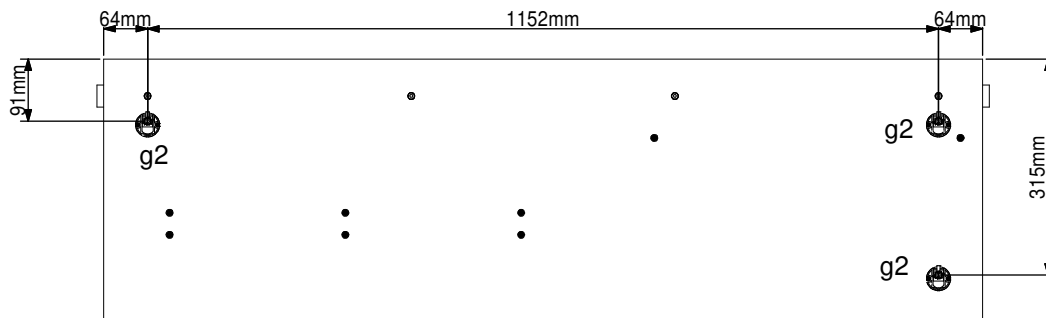
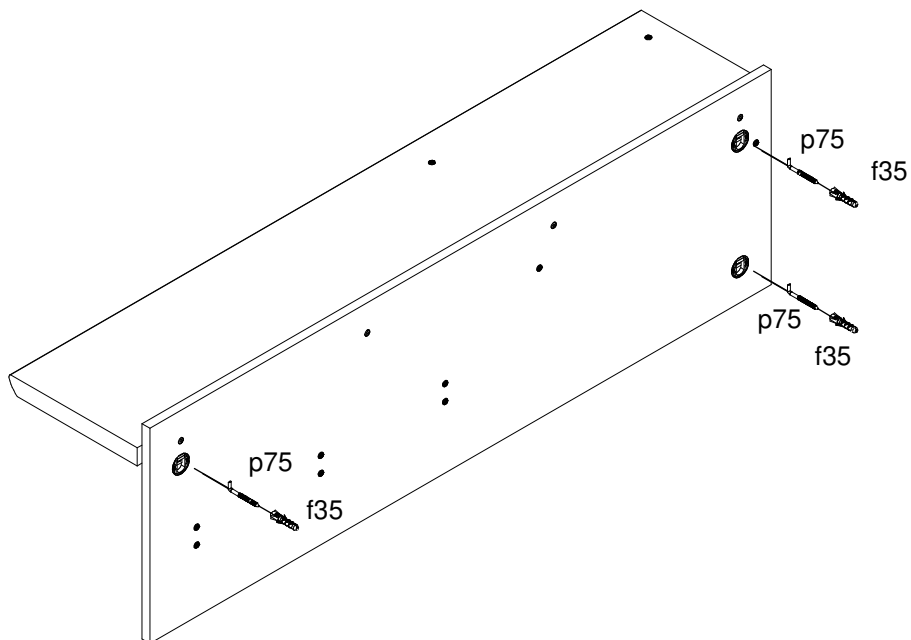
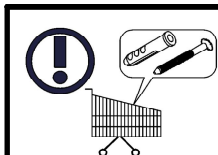
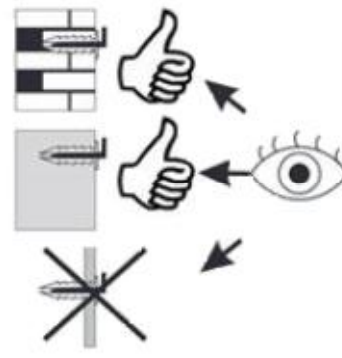
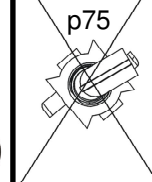
p75

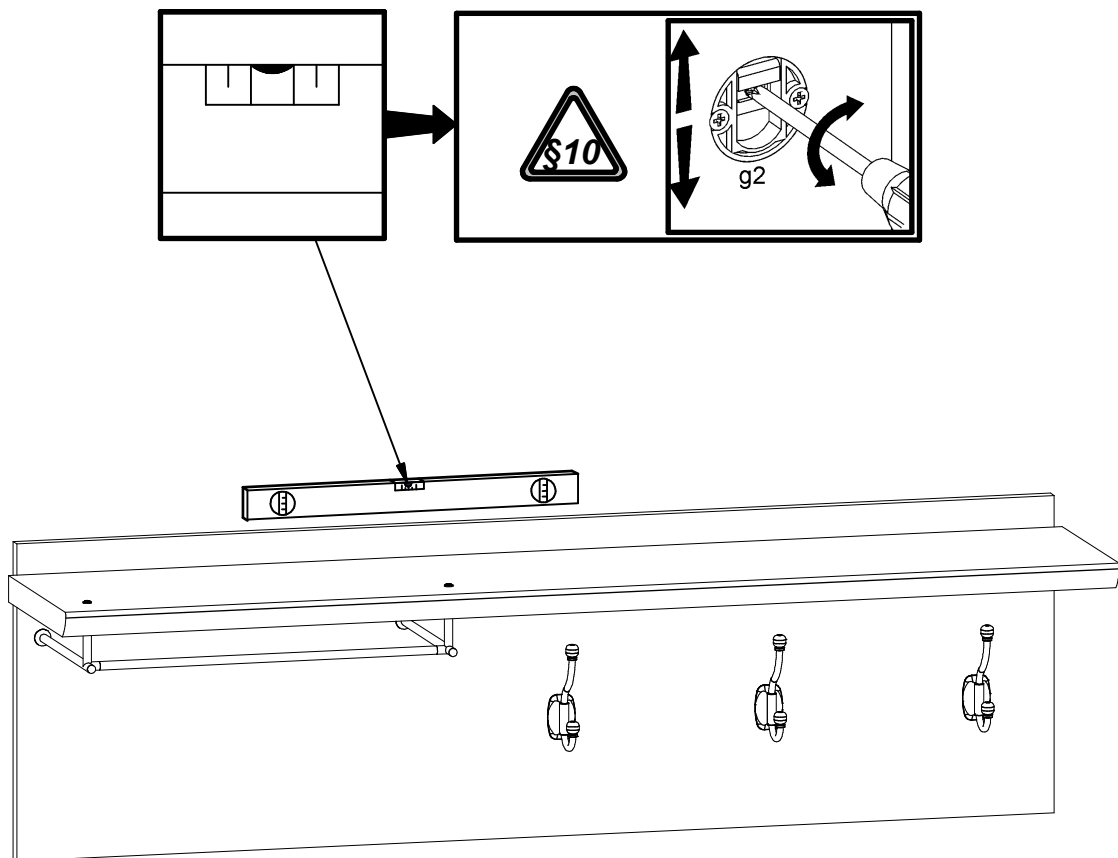


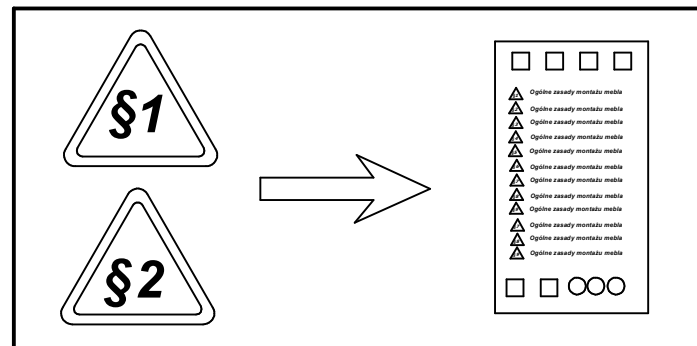
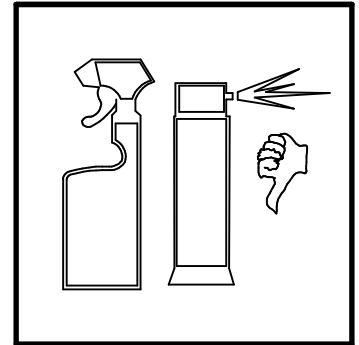
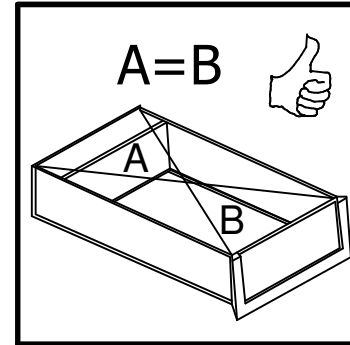
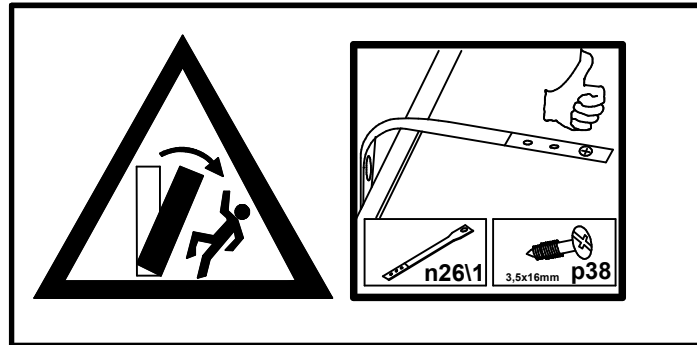
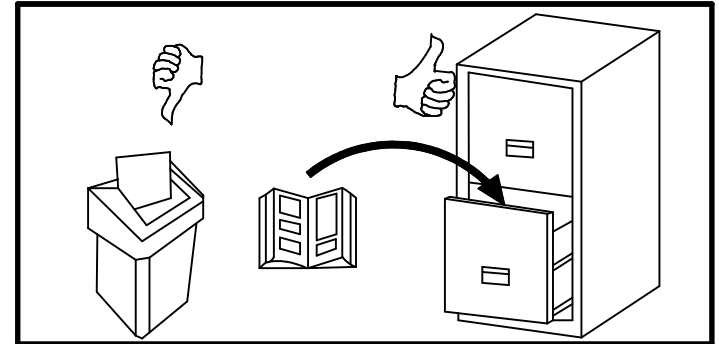
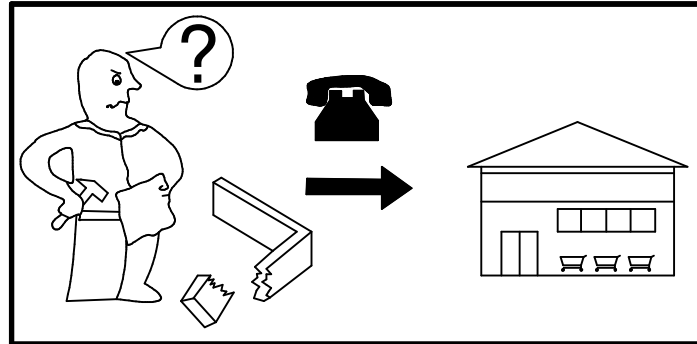
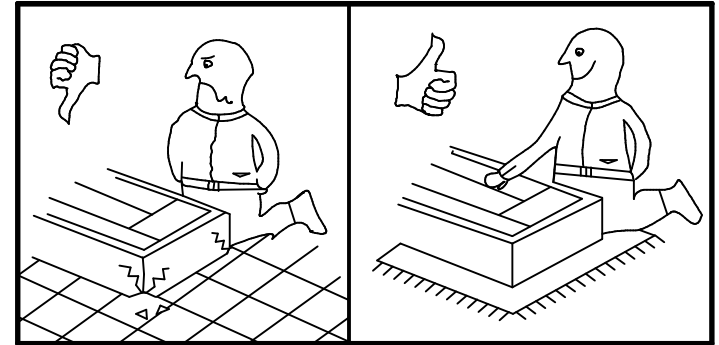
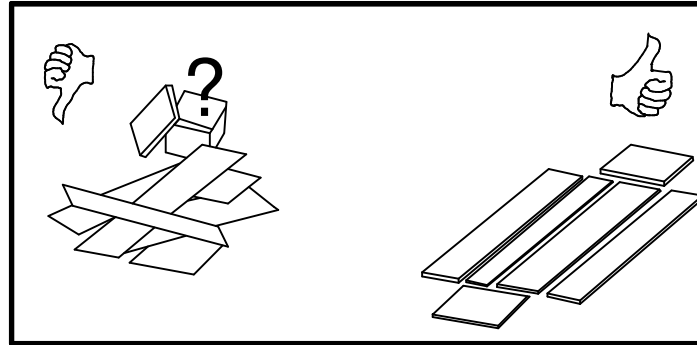
p75



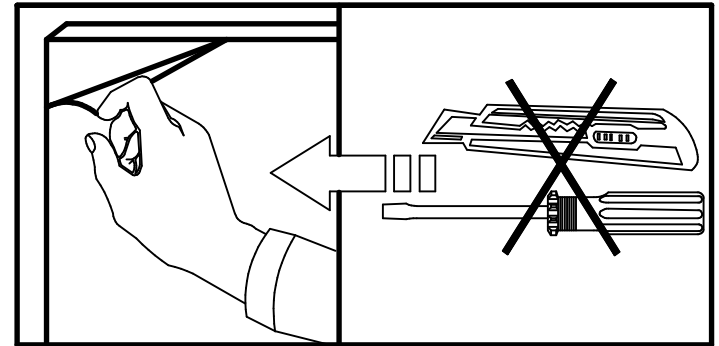
p75

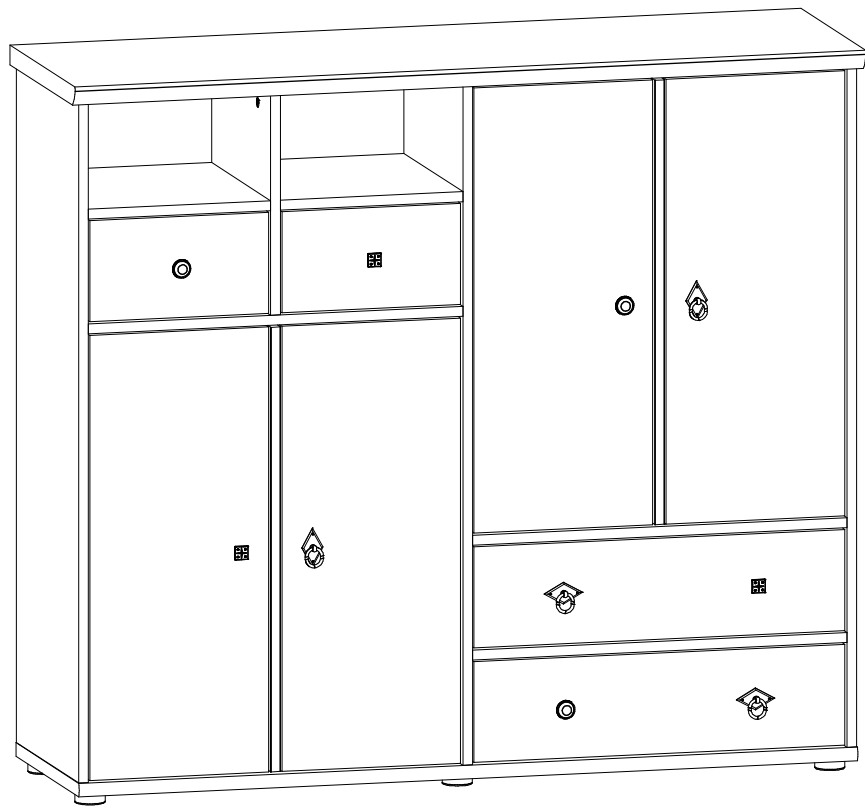
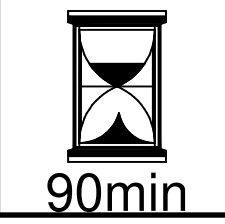
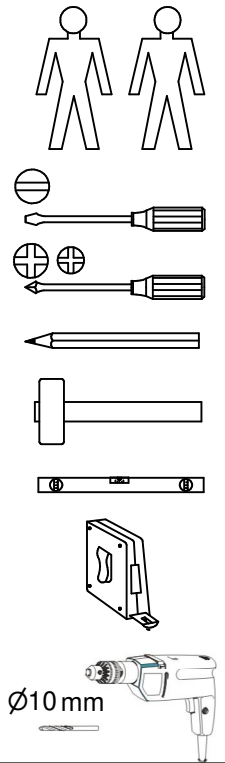




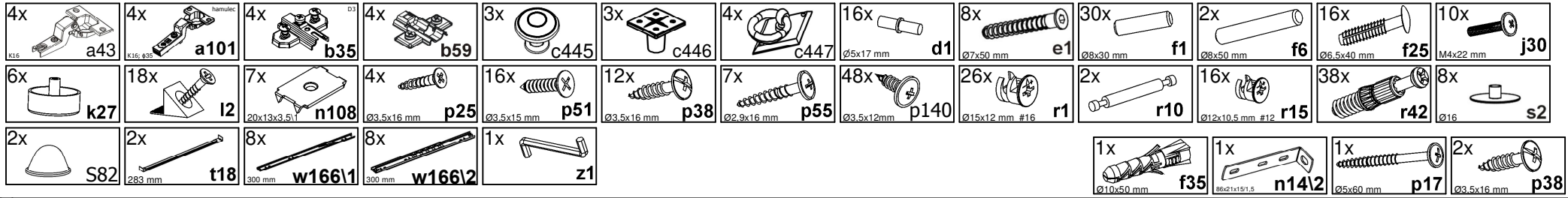


<input type="checkbox"/>	<input type="checkbox"/>	<input type="checkbox"/>	<input type="checkbox"/>
▲	Opłone zasady montażu mebla		
▲	Opłone zasady montażu mebla		
▲	Opłone zasady montażu mebla		
▲	Opłone zasady montażu mebla		
▲	Opłone zasady montażu mebla		
▲	Opłone zasady montażu mebla		
▲	Opłone zasady montażu mebla		
▲	Opłone zasady montażu mebla		
▲	Opłone zasady montażu mebla		
▲	Opłone zasady montażu mebla		
□	<input type="checkbox"/>	<input type="checkbox"/>	<input type="checkbox"/>

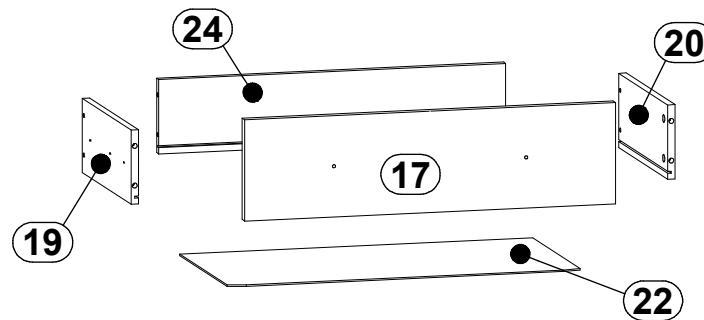
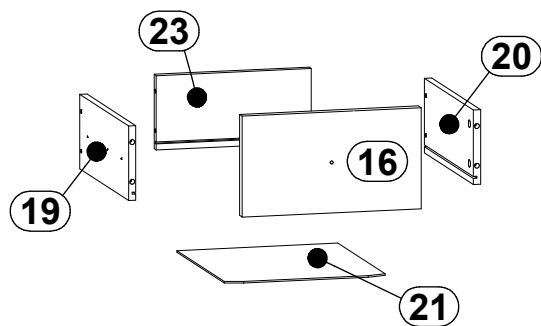
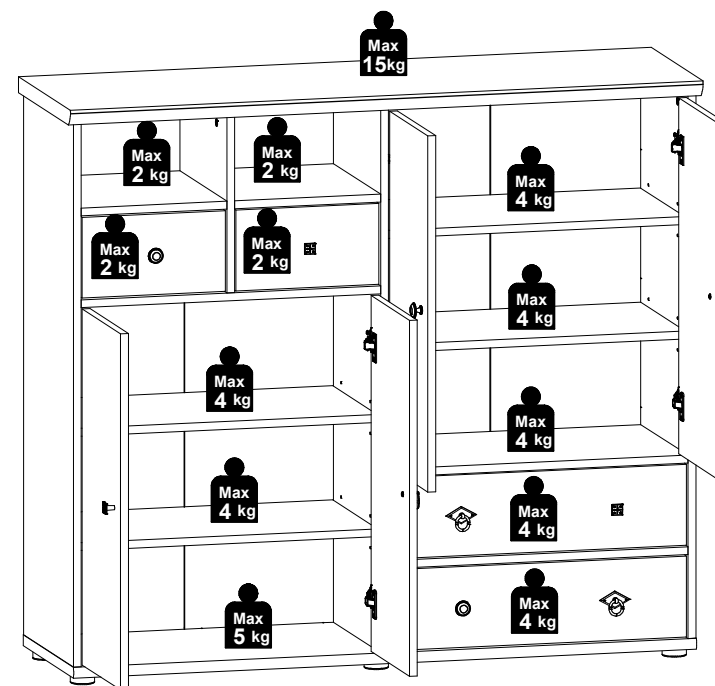
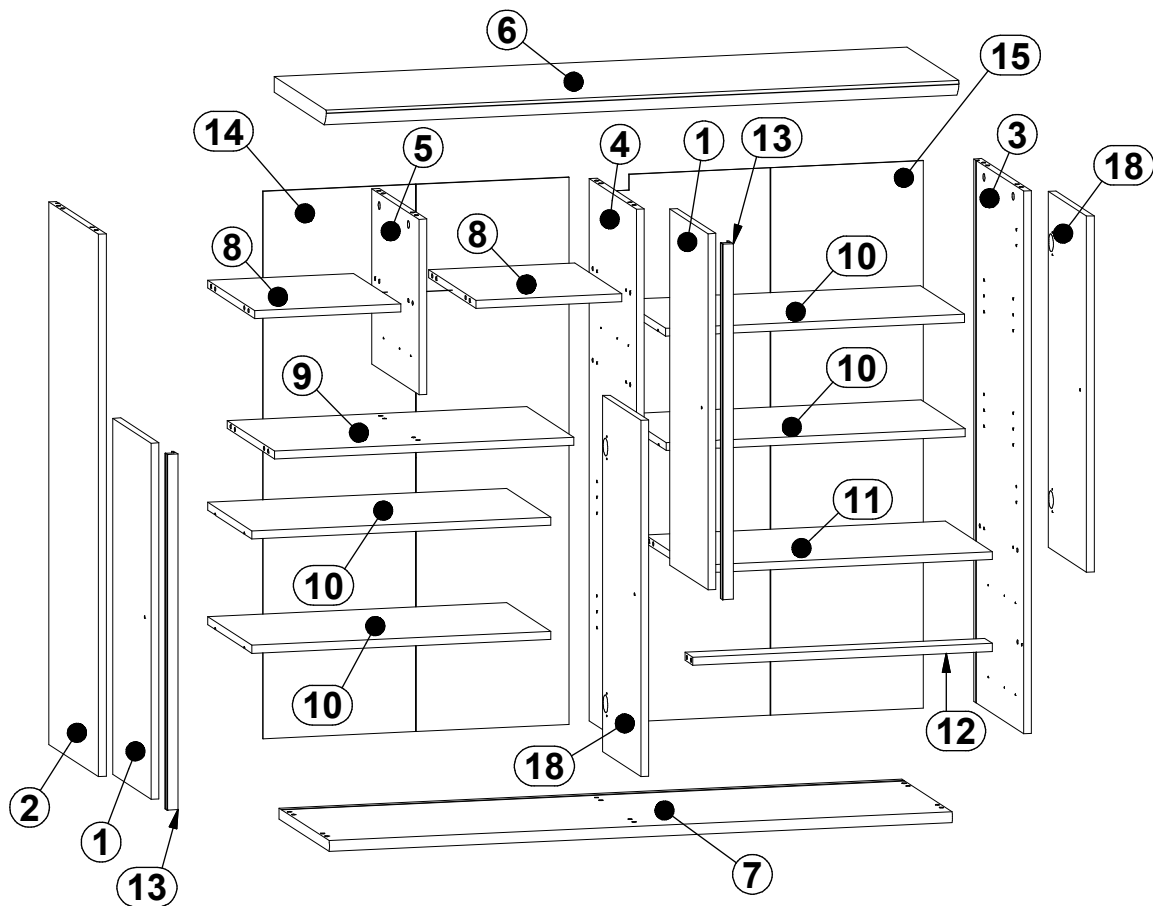


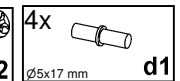
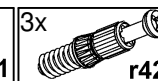
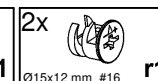
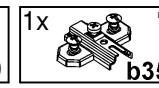
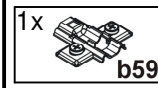
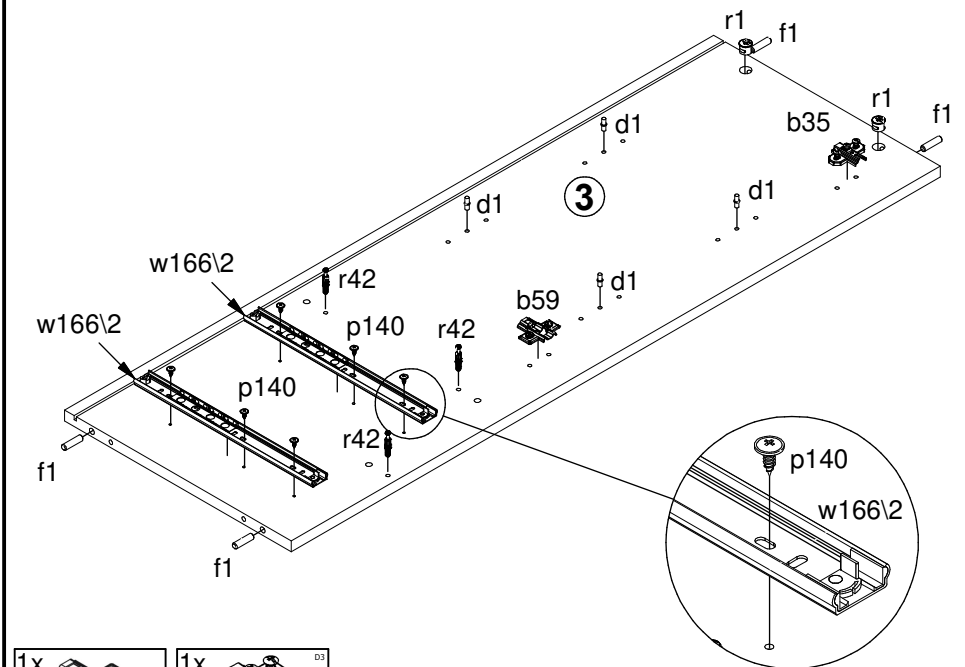
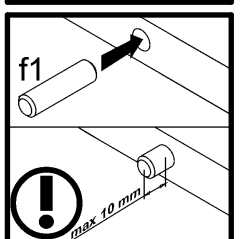
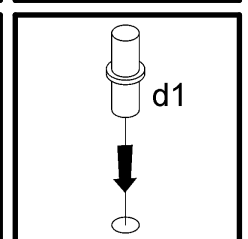
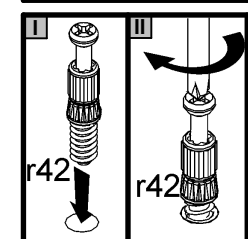
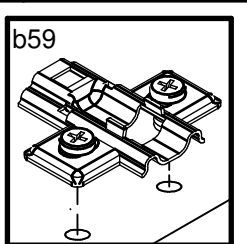
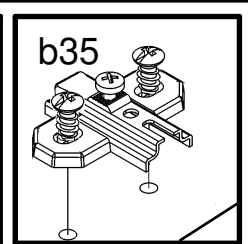
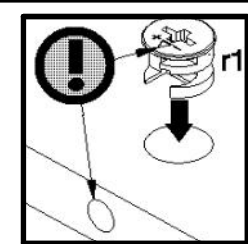
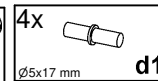
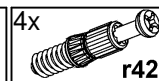
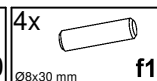
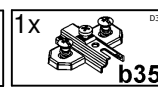
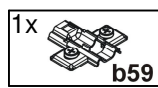
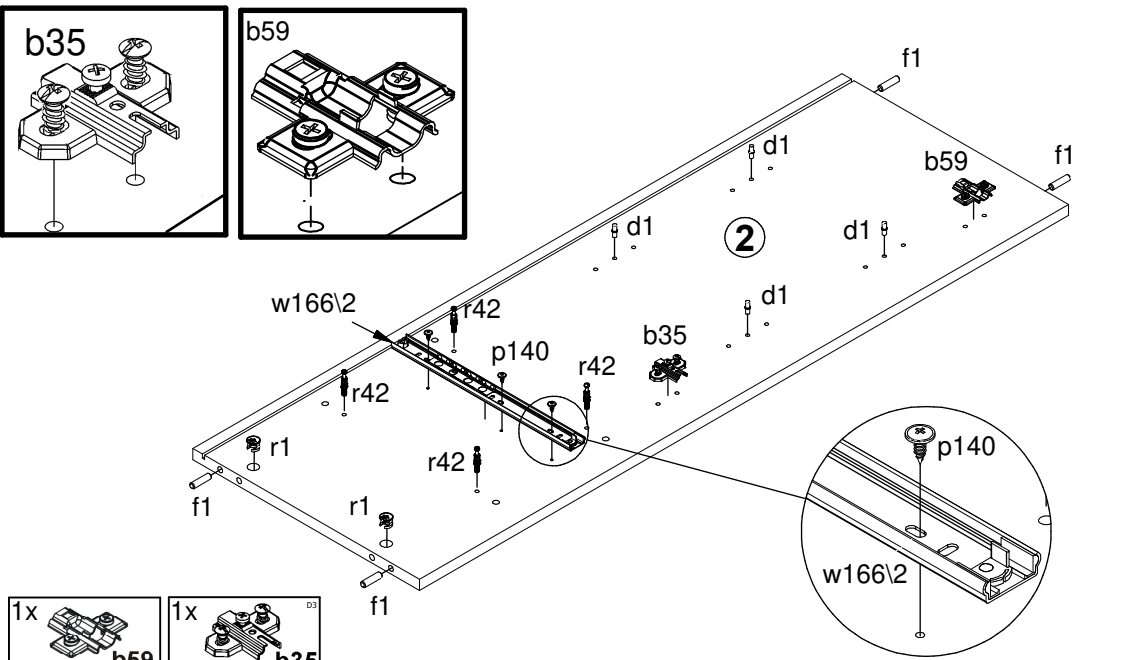
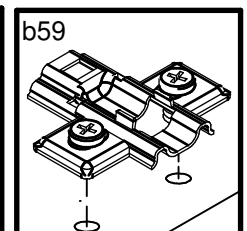
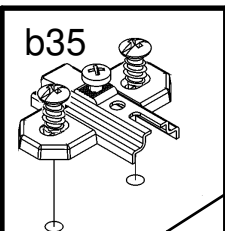
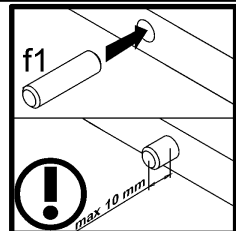
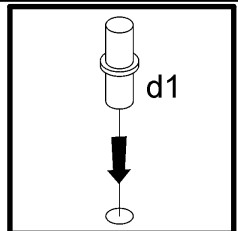
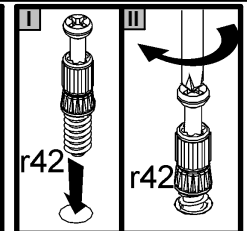
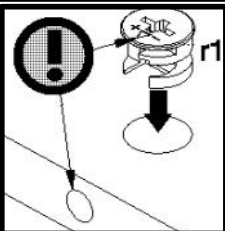
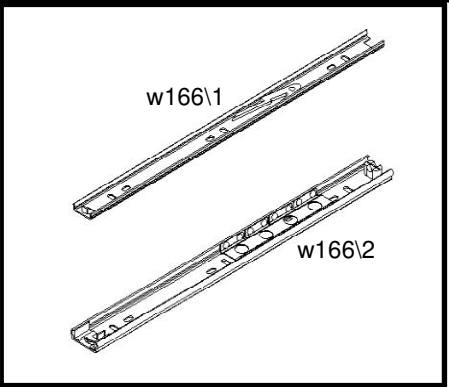
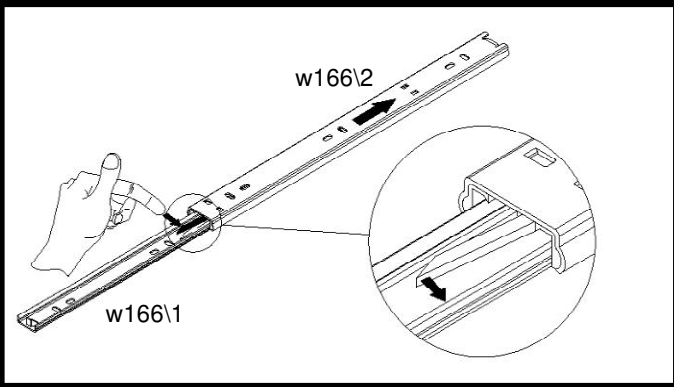


A	B	C (mm)		D
1	M196-0004	718	294	1/3
2	M196-1014	1094	382	2/3
3	M196-1015	1094	382	2/3
4	M196-1016	1094	362	2/3
5	M196-1017	354	362	3/3
6	M196-2009	1301	400	1/3
7	M196-2010	1281	387	3/3
8	M196-3005	300	362	3/3
9	M196-3010	616	362	3/3
10	M196-3011	615	340	3/3
11	M196-3012	616	362	3/3
12	M196-4001	616	60	3/3
13	M196-5510	717	33	3/3
14	M196-9302	1104	629	2/3
15	M196-9303	1104	629	2/3
16	S248-0009	163	294	2/3
17	S248-0012	163	610	2/3
18	S248-0014	718	294	1/3
19	WSK3-503	300	120	1/3
20	WSK3-504	300	120	1/3
21	WSP-9090	265	298	1/3
22	WSP-9091	581	298	1/3
23	WTR-5026	255	120	1/3
24	WTR-5027	571	120	1/3

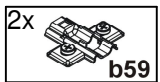
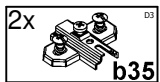
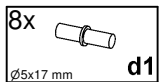
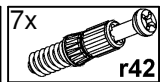
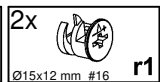
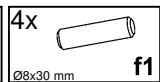
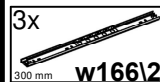
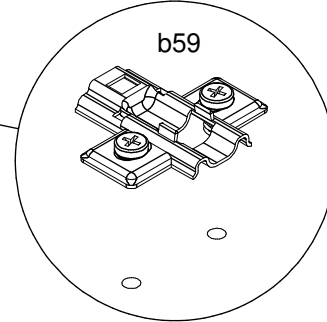
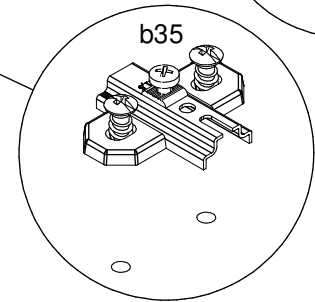
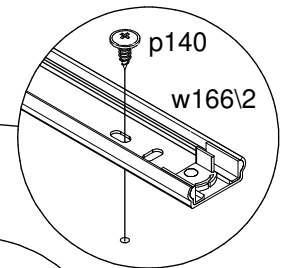
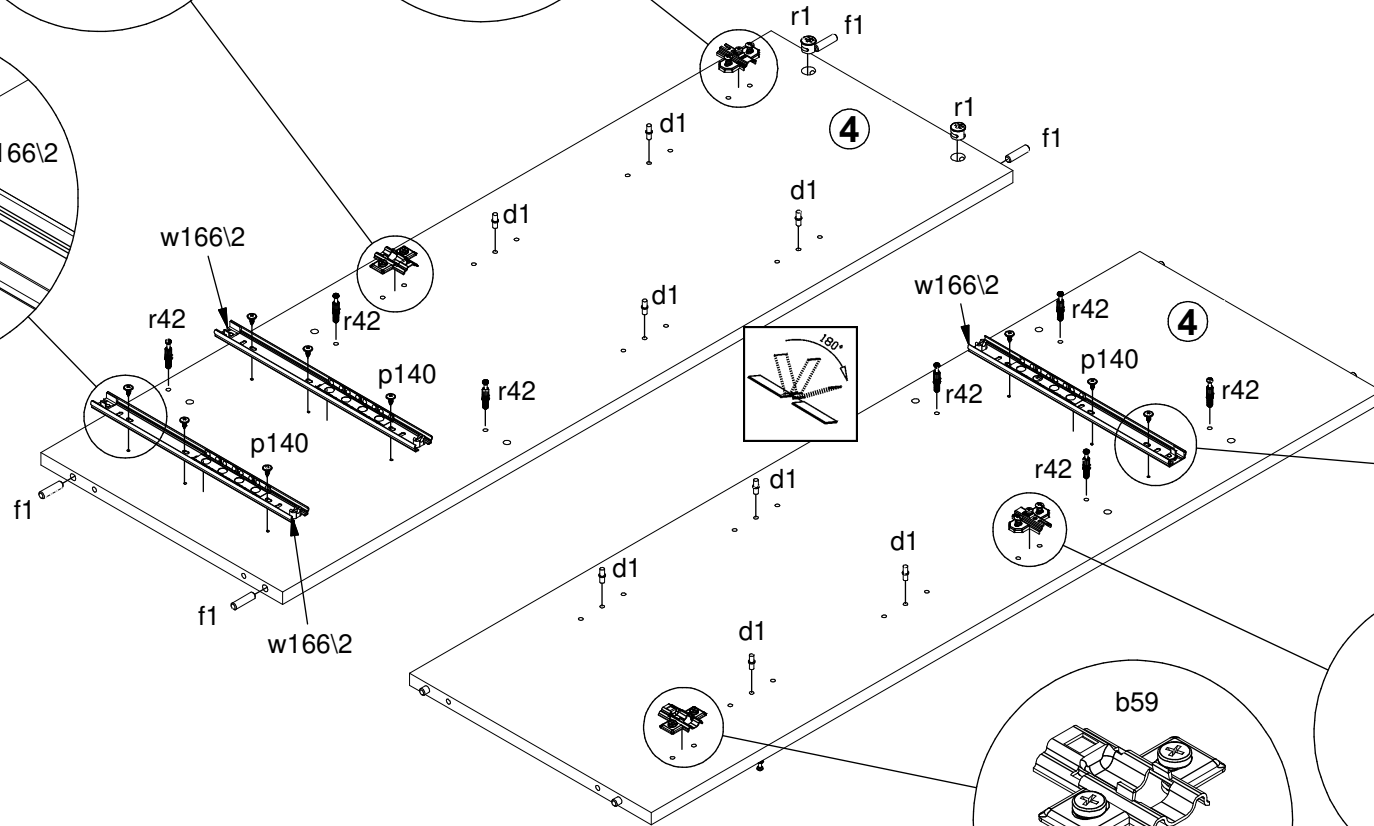
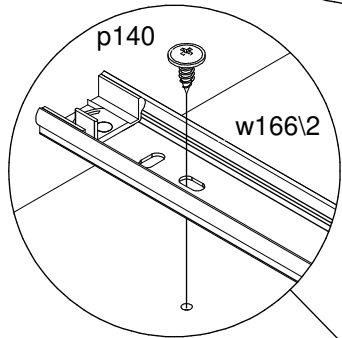
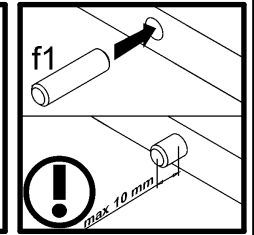
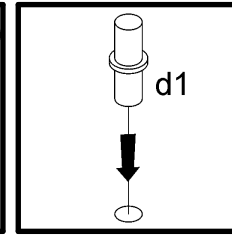
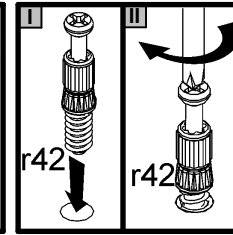
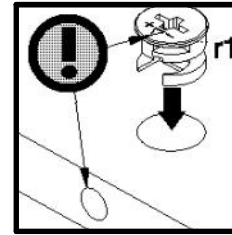
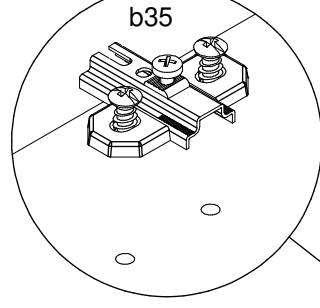
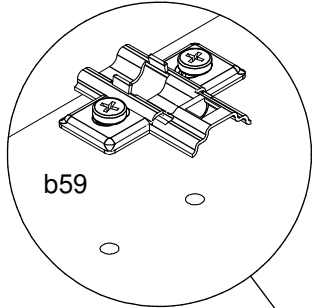


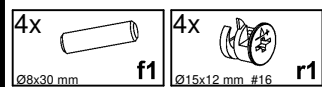
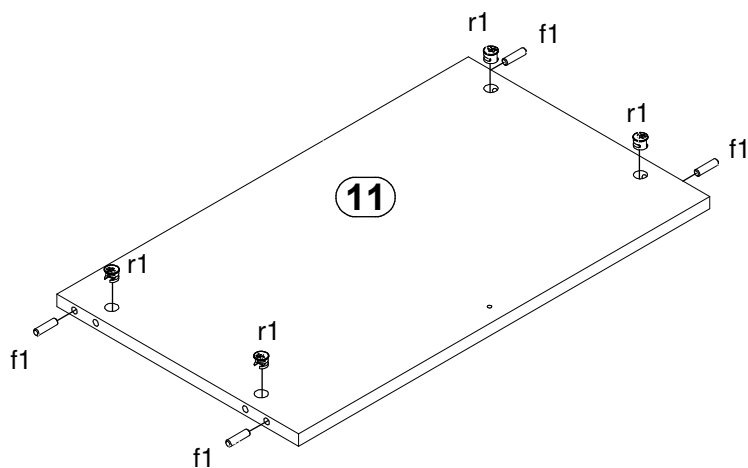
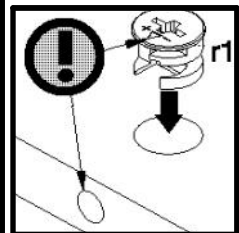
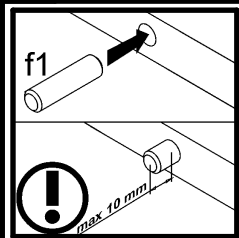




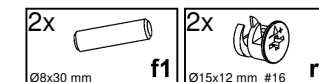
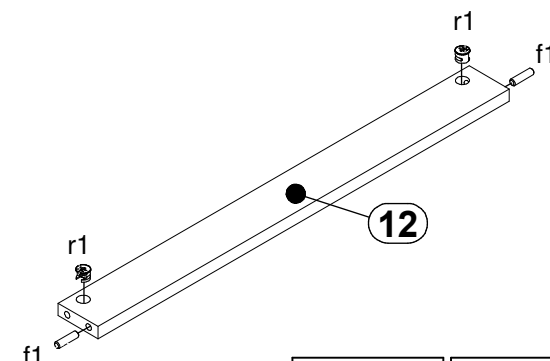
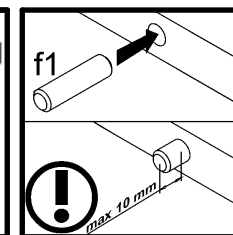
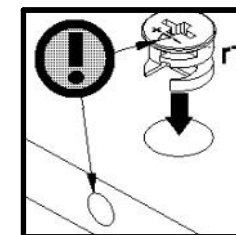
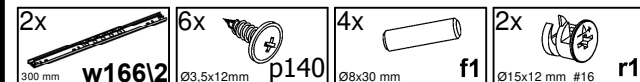
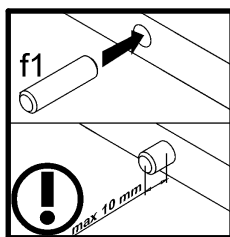
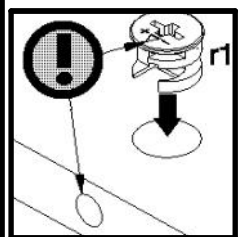
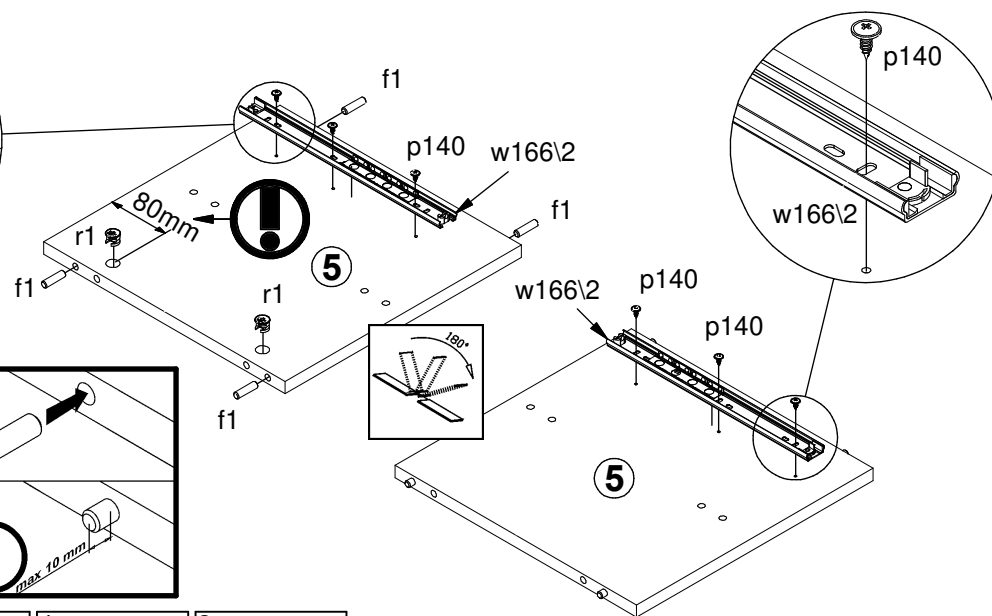
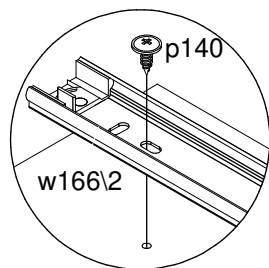
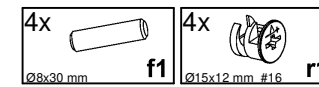
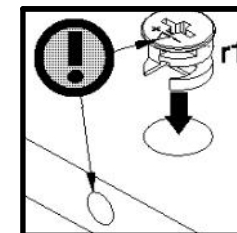
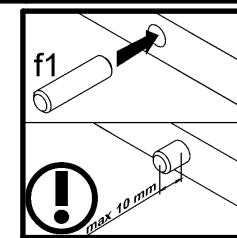
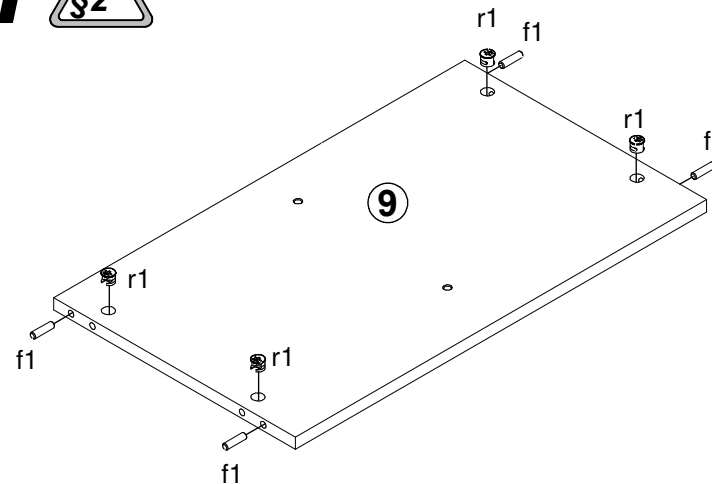


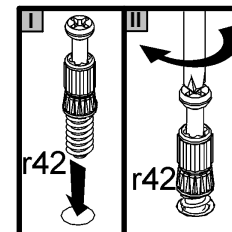
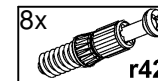
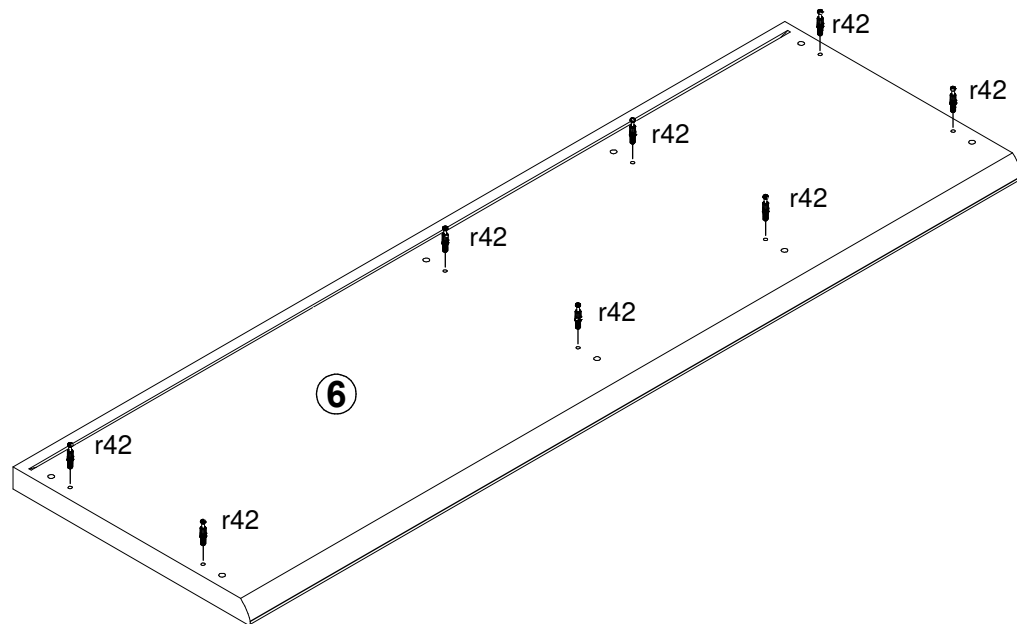
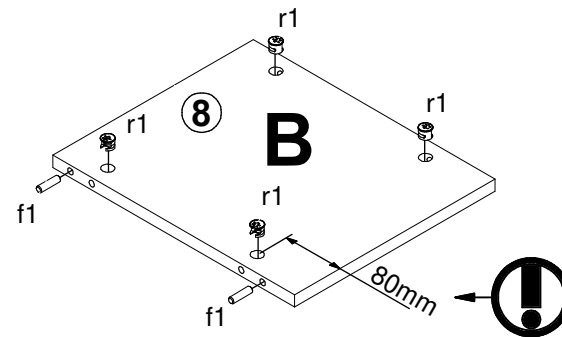
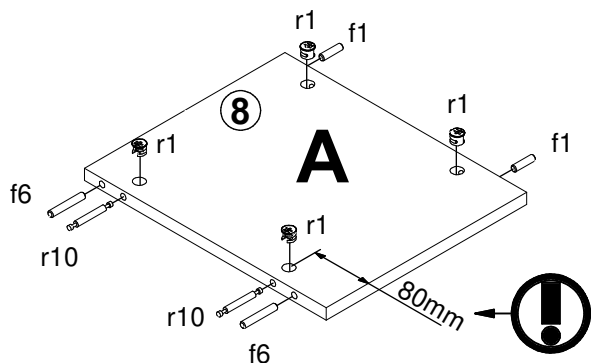
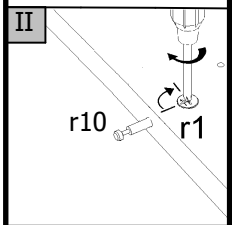
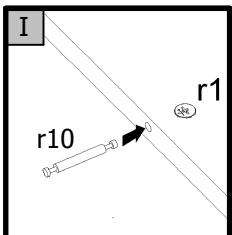
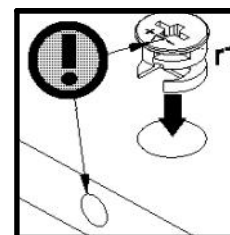
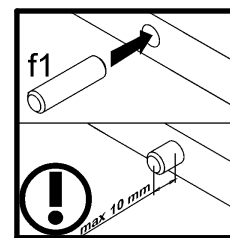
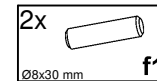
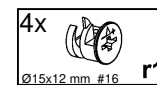
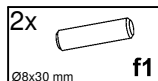
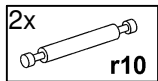
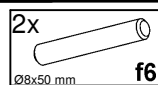
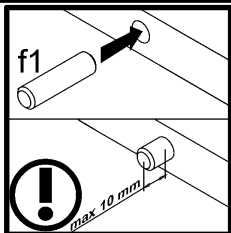
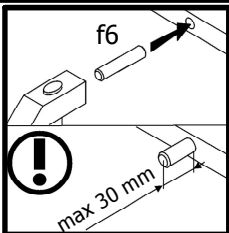
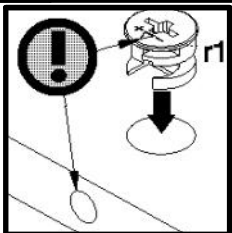
1 



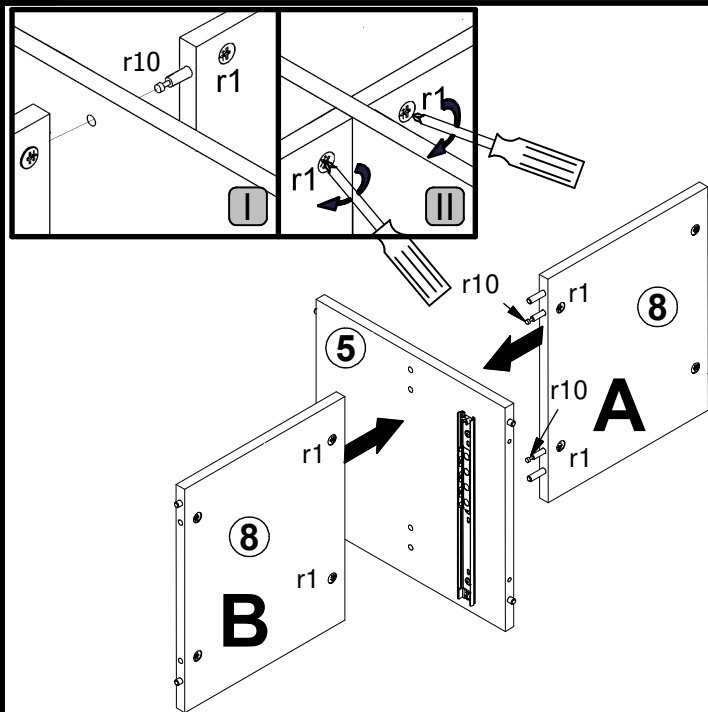


1

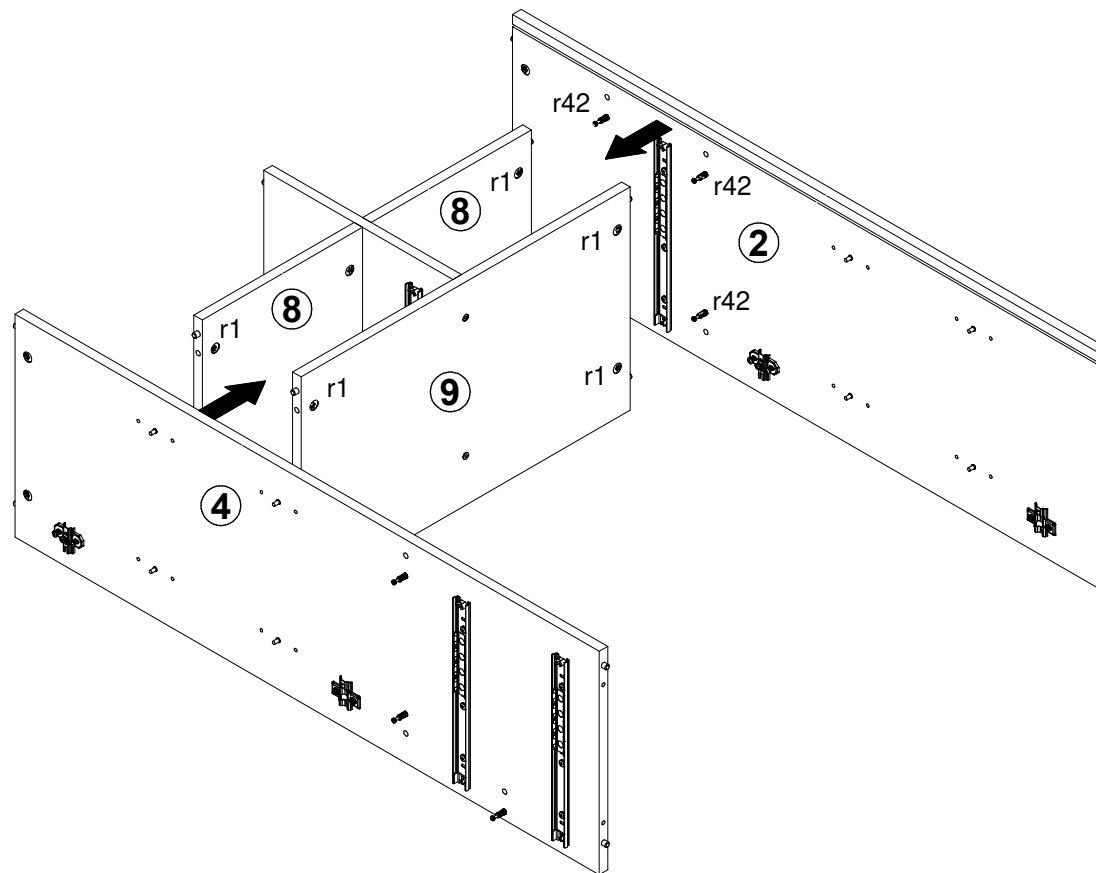




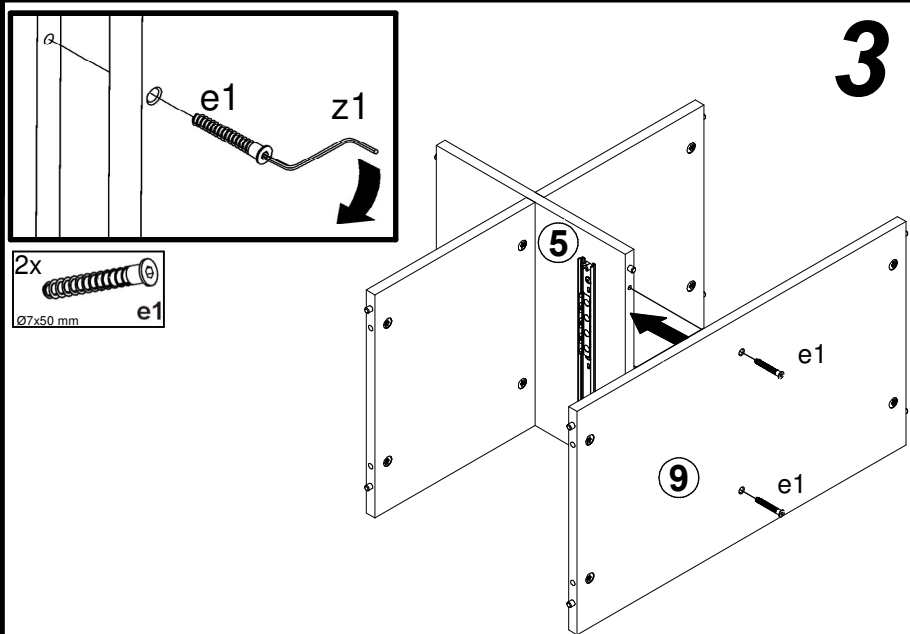
2 

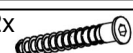


4

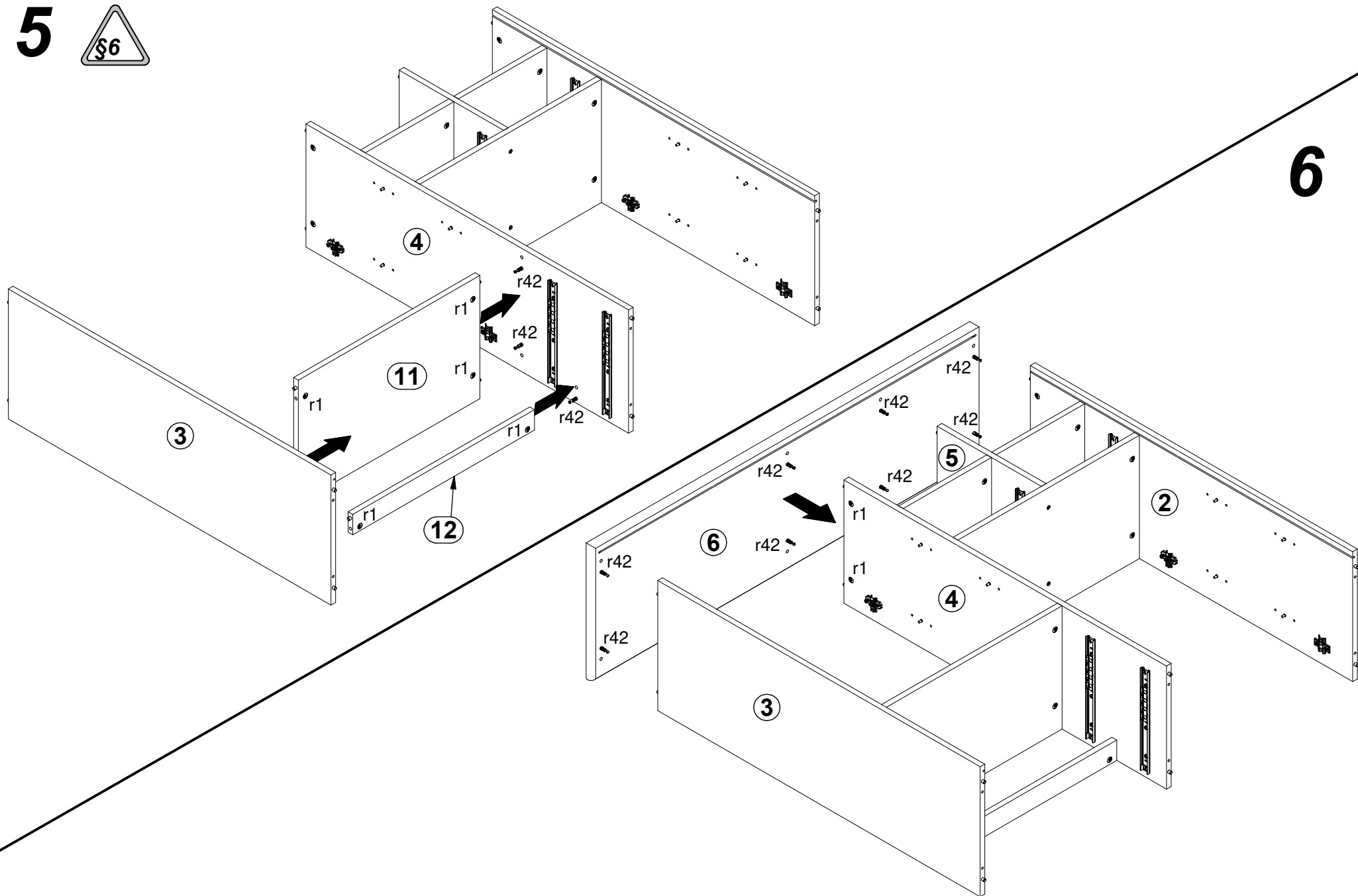


3



2x  e1  
Ø7x50 mm

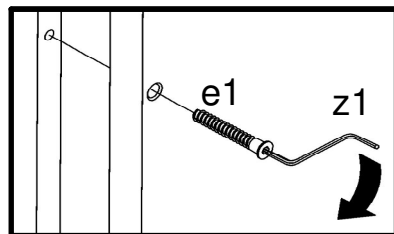
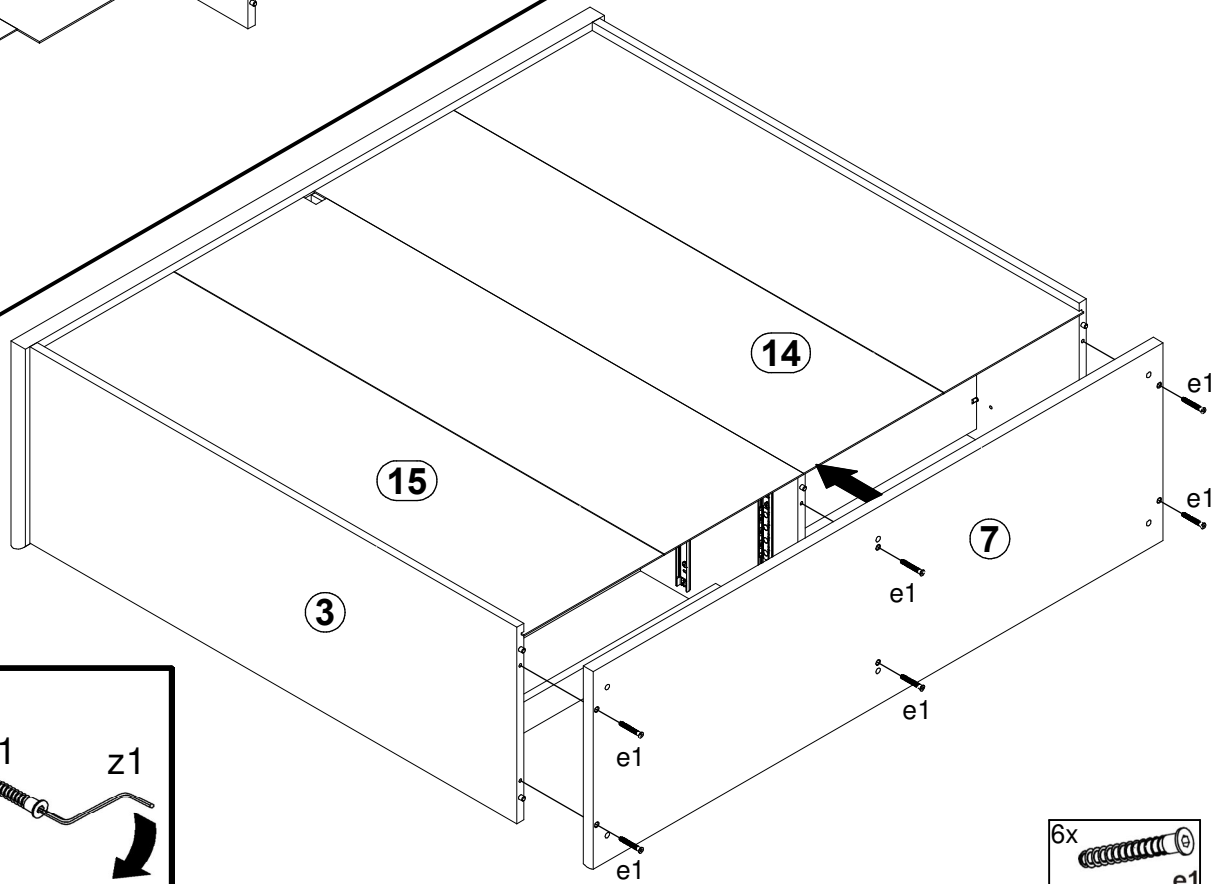
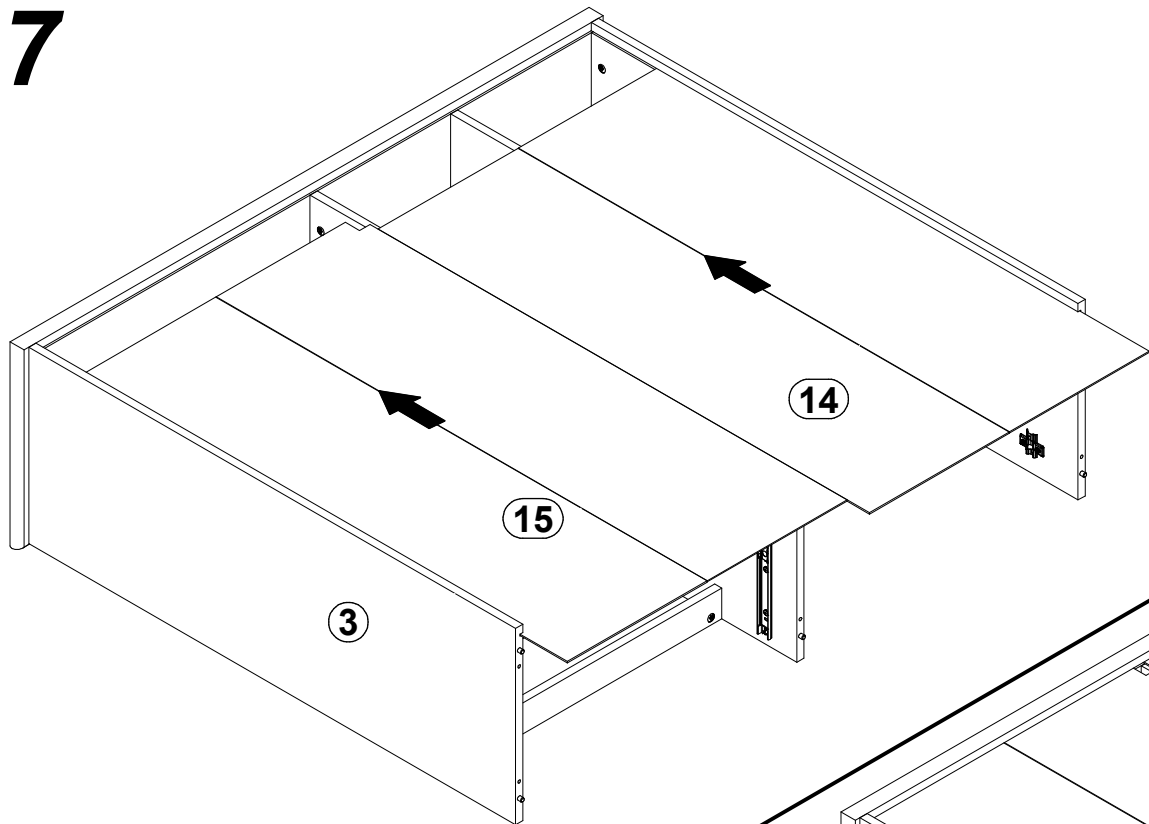
5



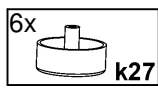
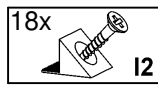
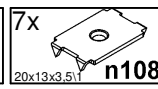
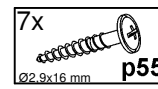
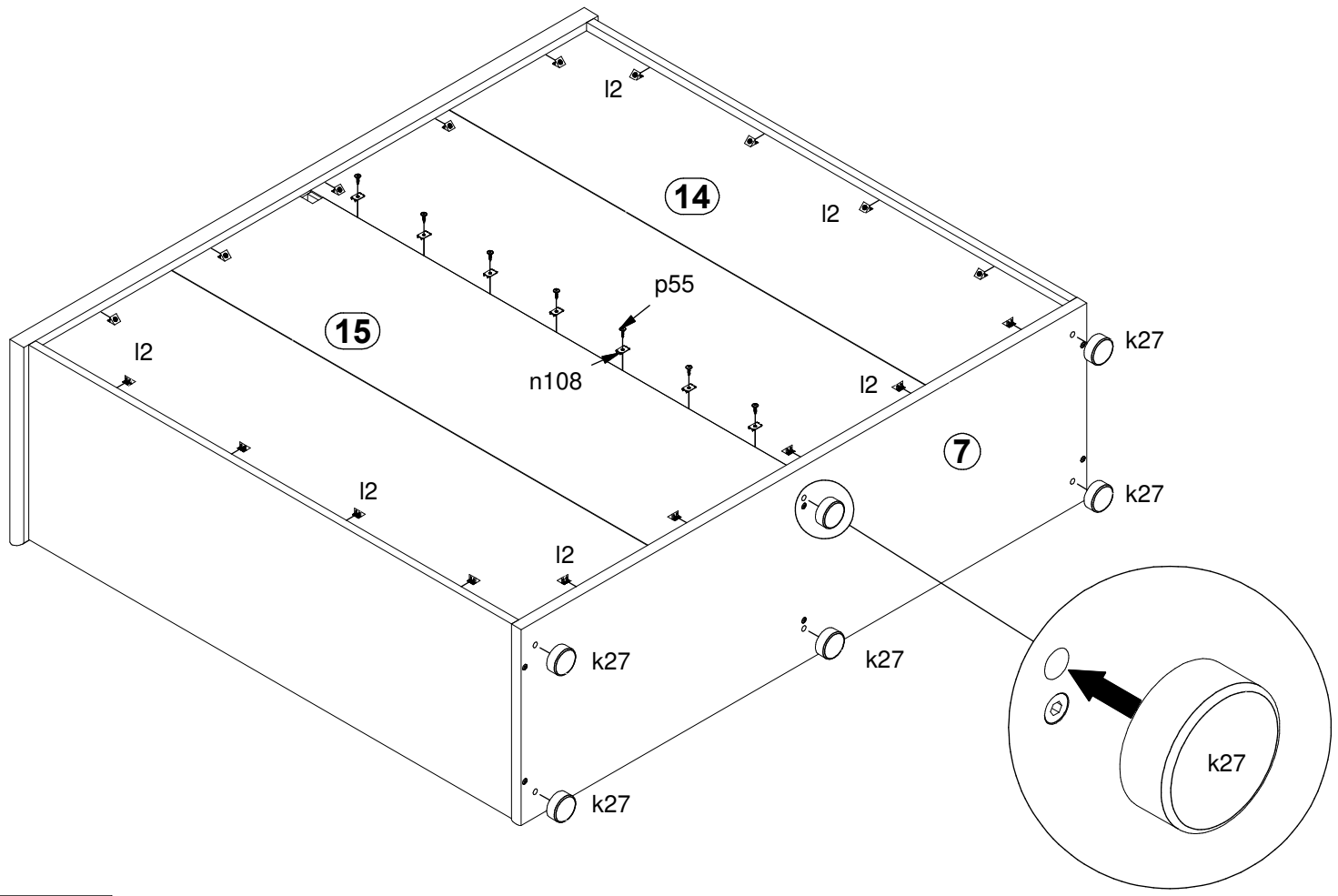
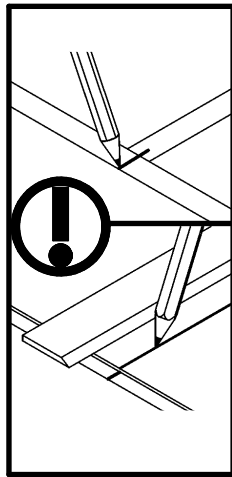
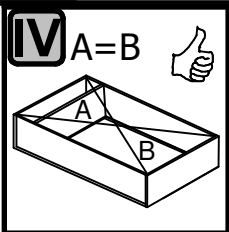
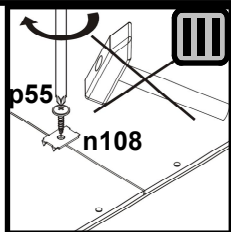
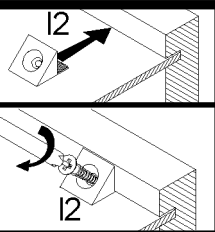
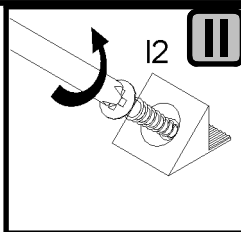
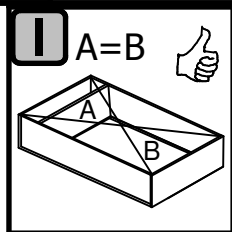
6

7

8

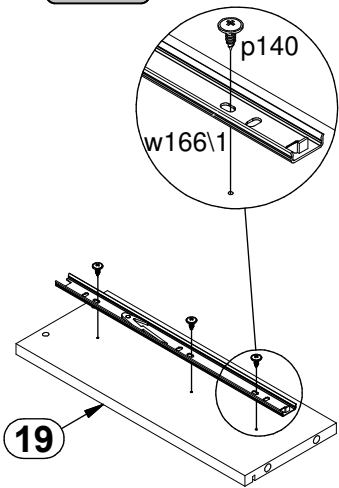


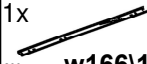





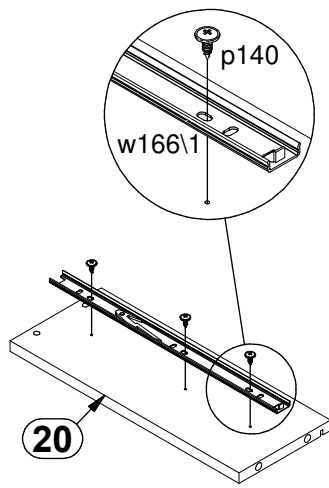
10 



I



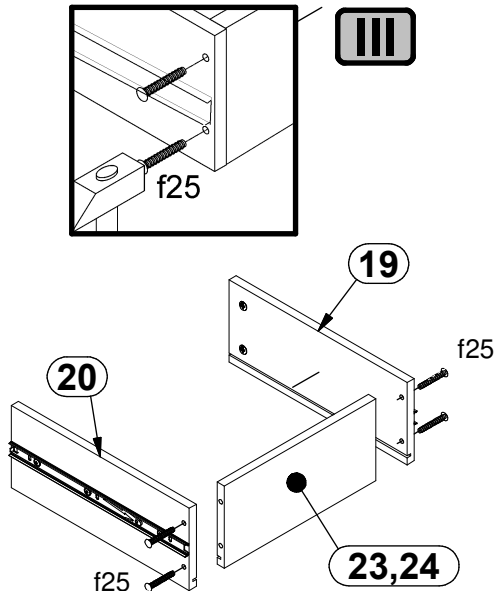
1x  w166\1  
 3x  p140  
300 mm

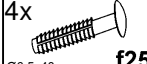
II



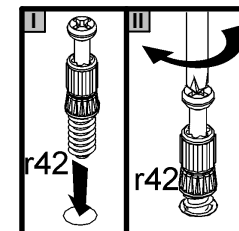
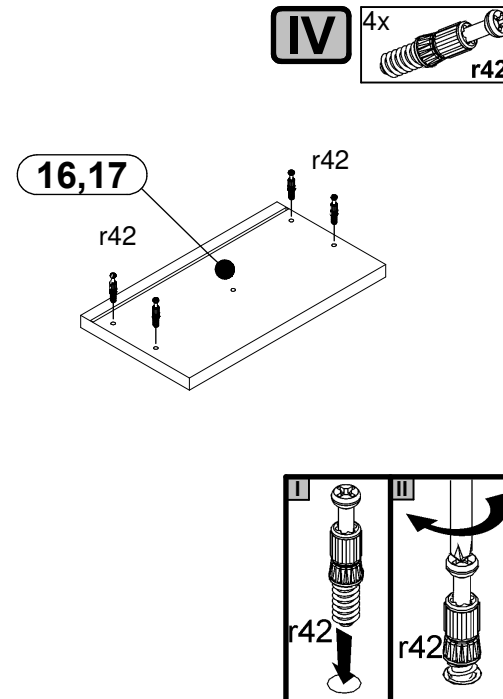
1x  w166\1  
 3x  p140  
300 mm

III

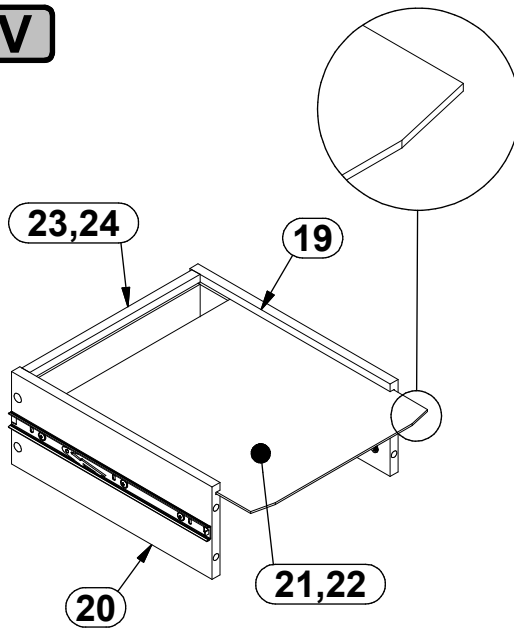


4x  f25  
Ø6,5x40 mm

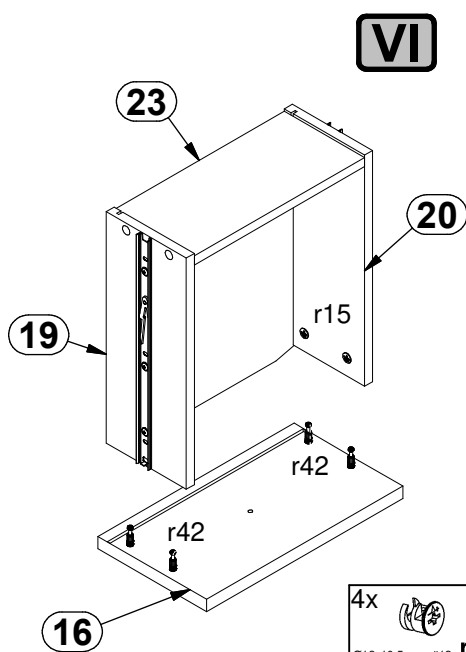
IV




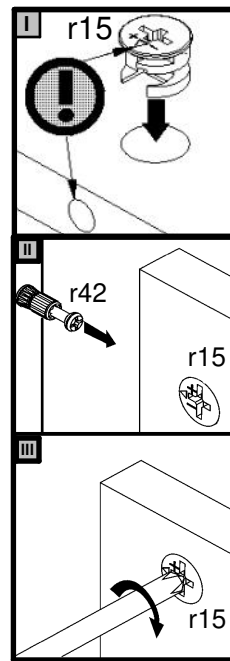
V



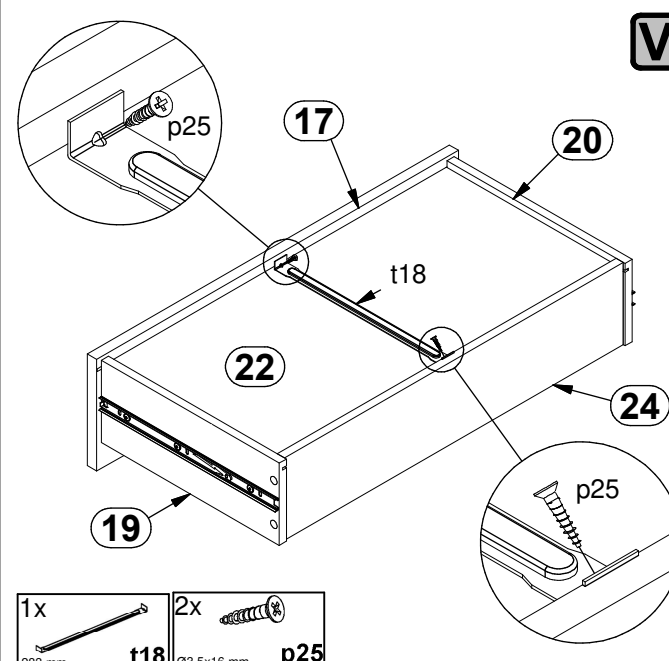
VI


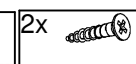


4x  r15  
Ø12x10,5 mm #12



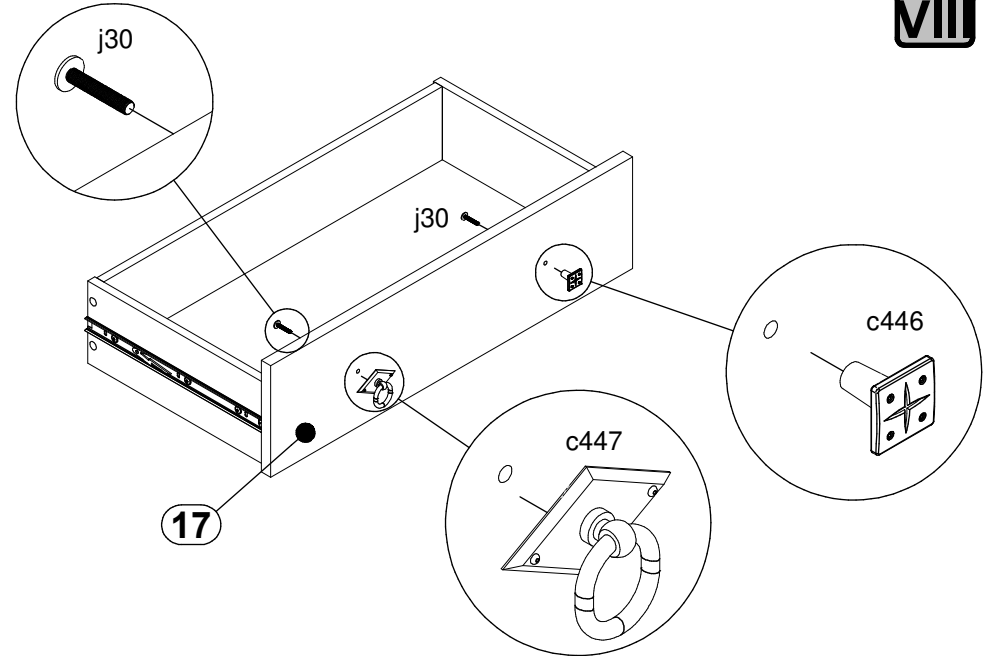
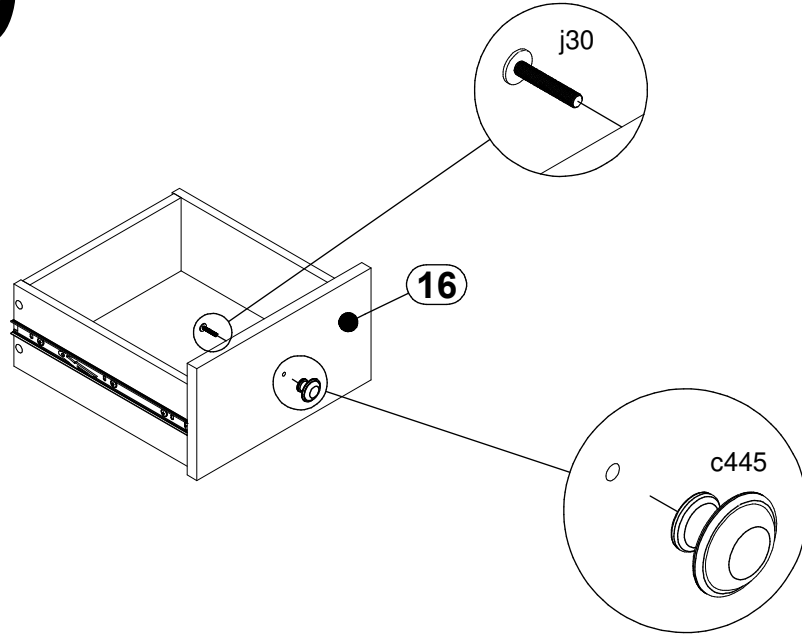
VII



1x  t18  
283 mm  
 2x  p25  
Ø3,5x16 mm

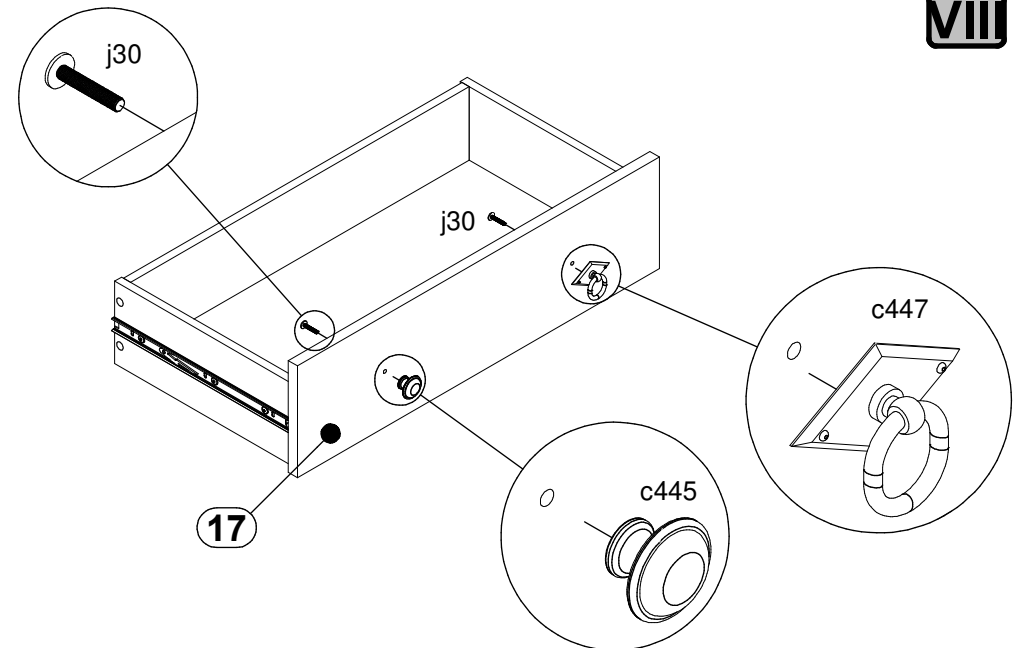
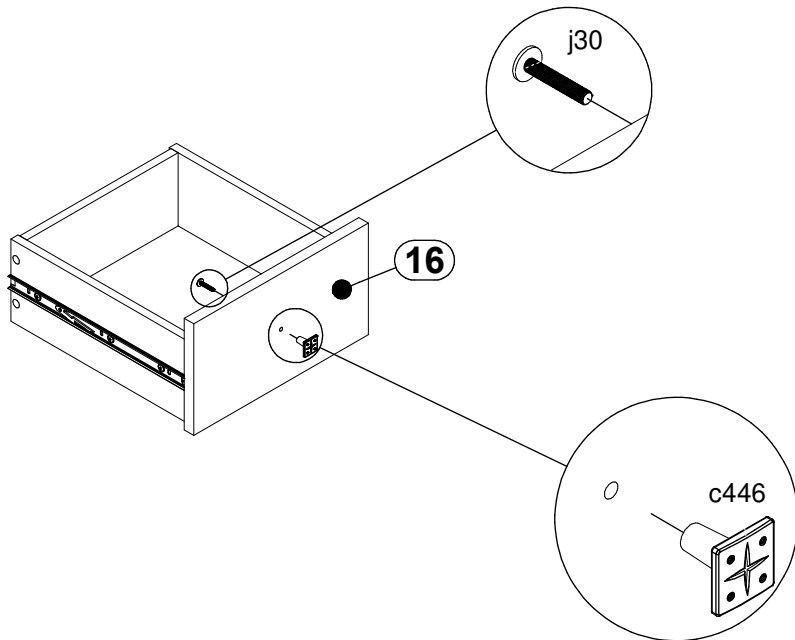
10

VII



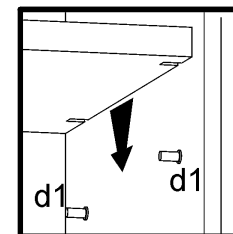
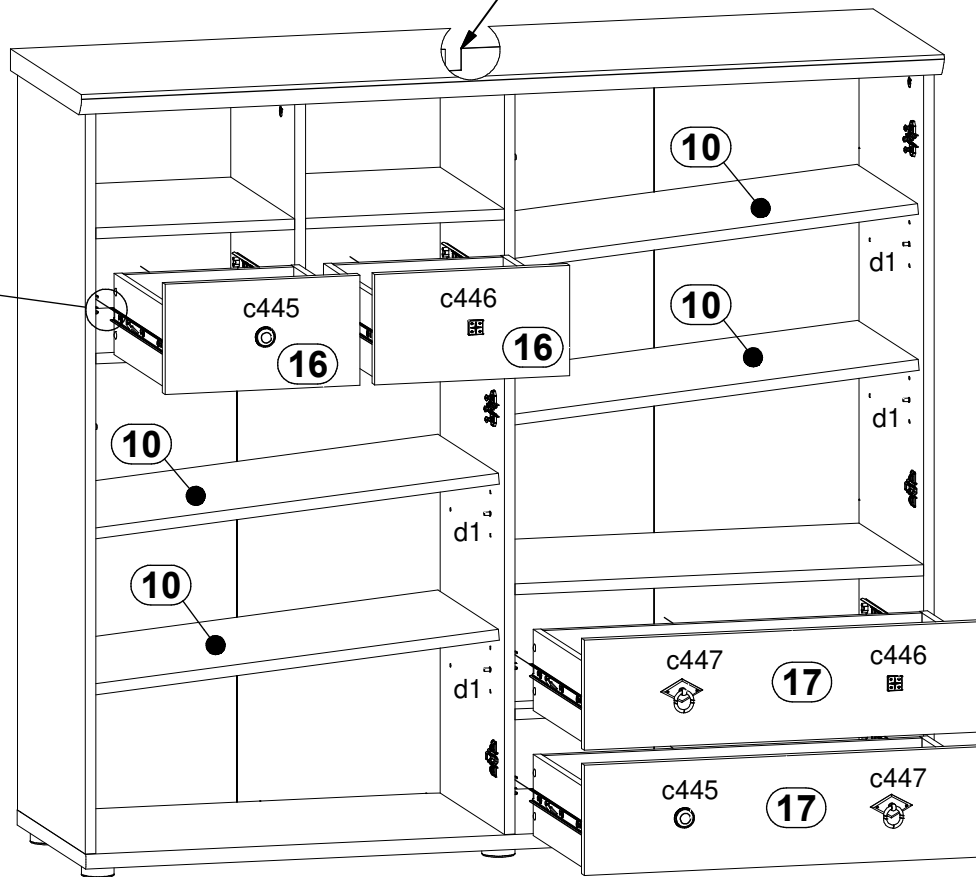
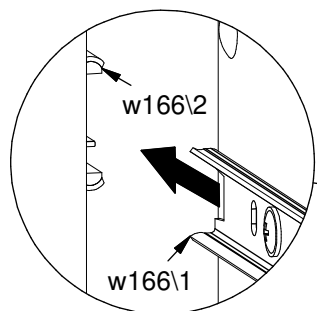
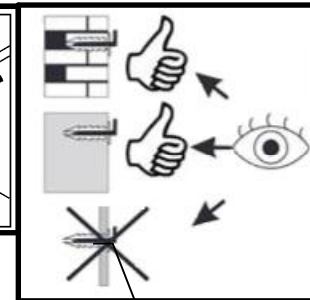
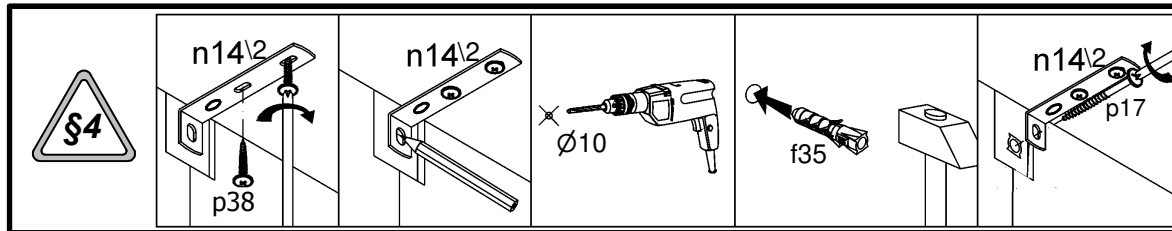
VII

VII



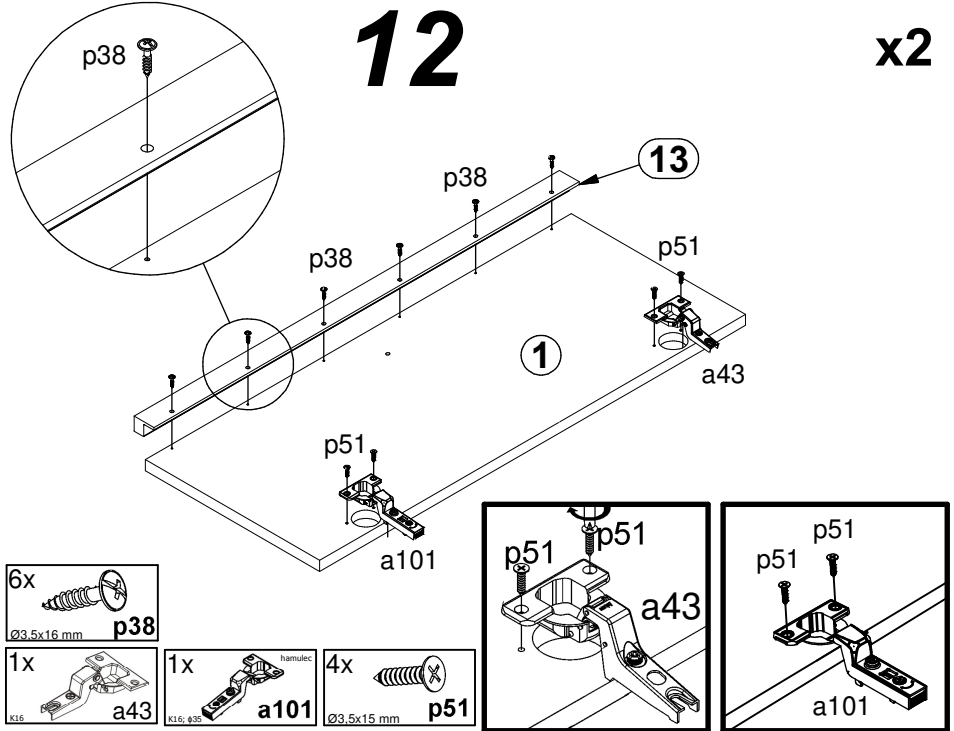
VII

# 11



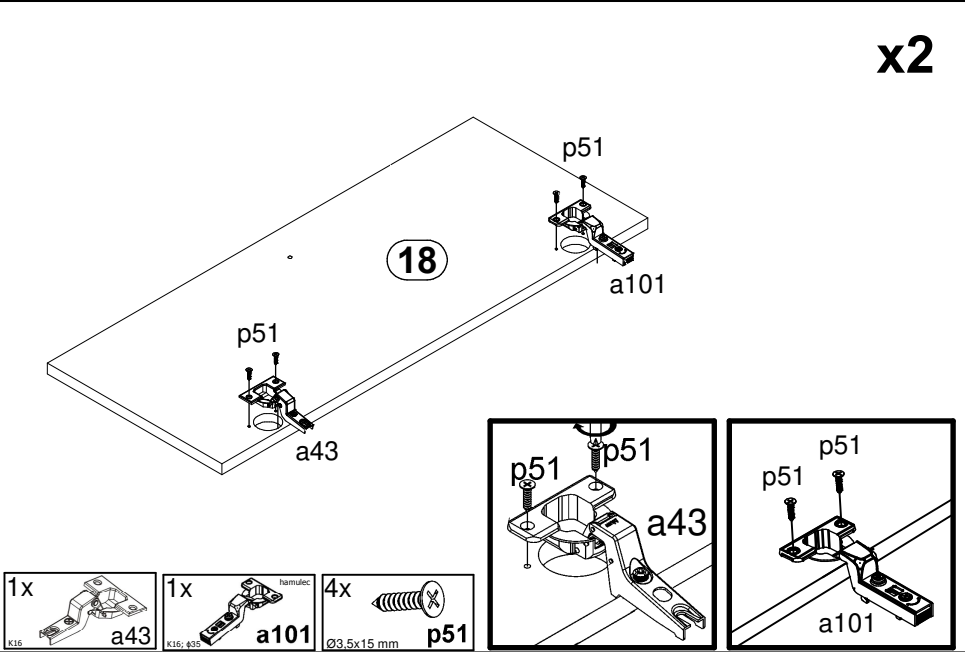
# 12

x2

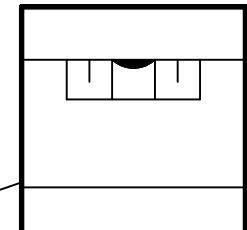


- 6x p38  $\varnothing 3.5 \times 16 \text{ mm}$
- 1x a43
- 1x a101
- 4x p51  $\varnothing 3.5 \times 15 \text{ mm}$

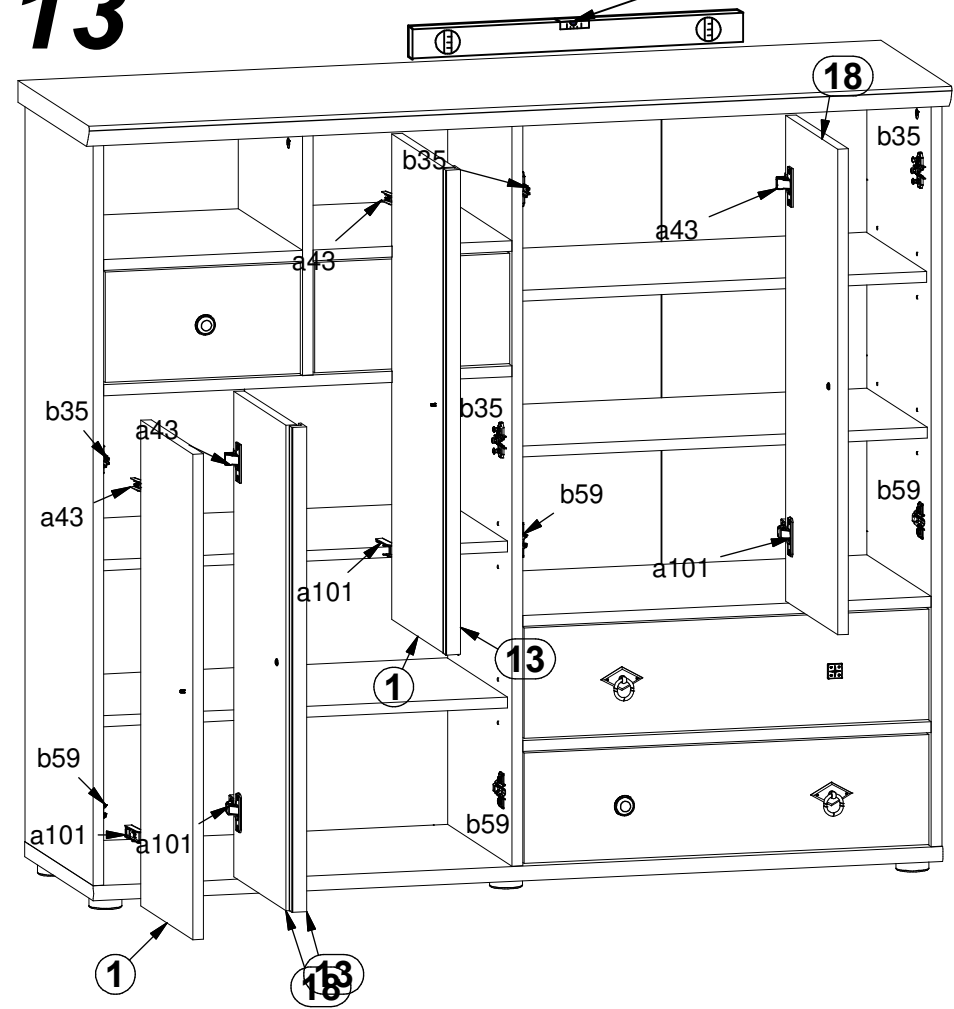
x2



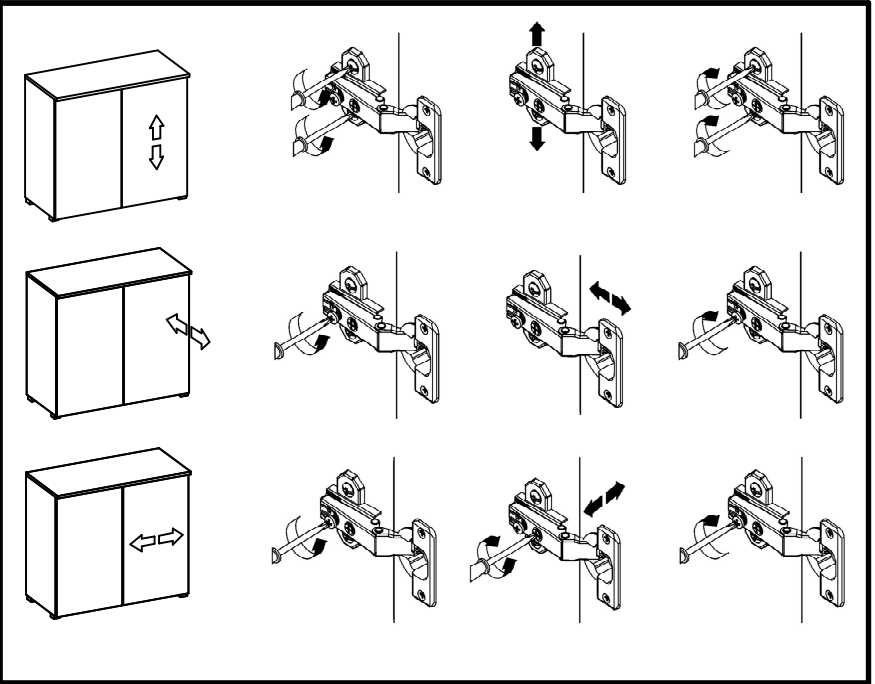
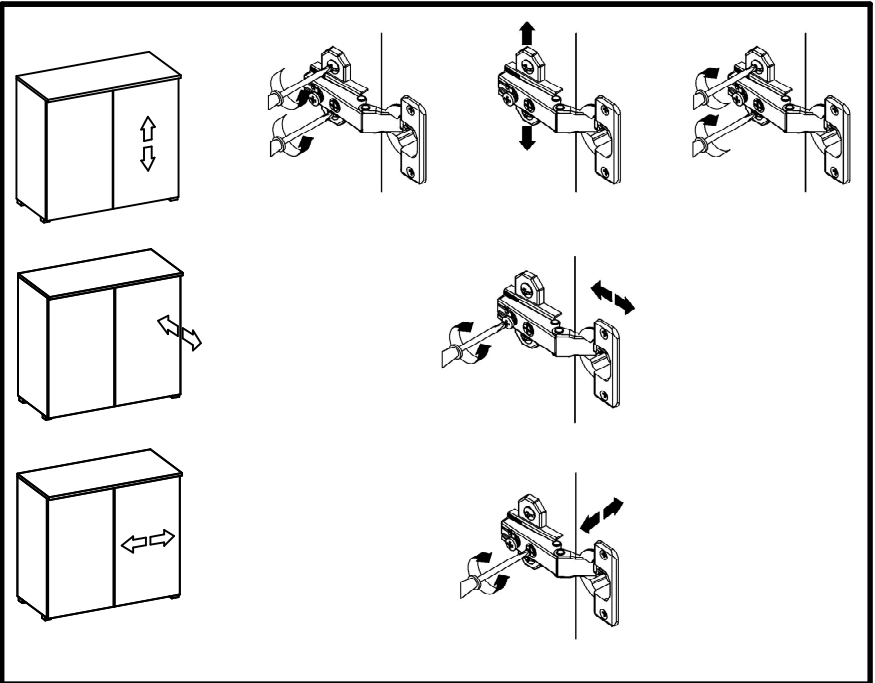
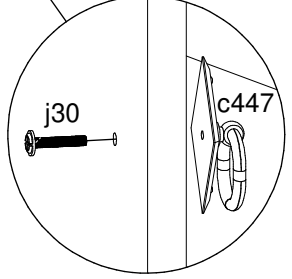
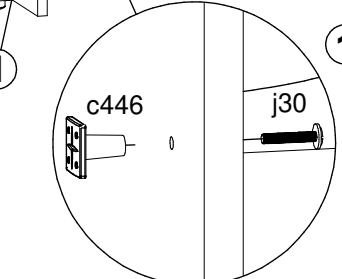
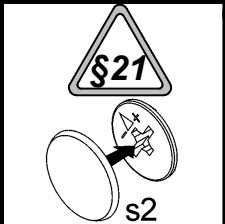
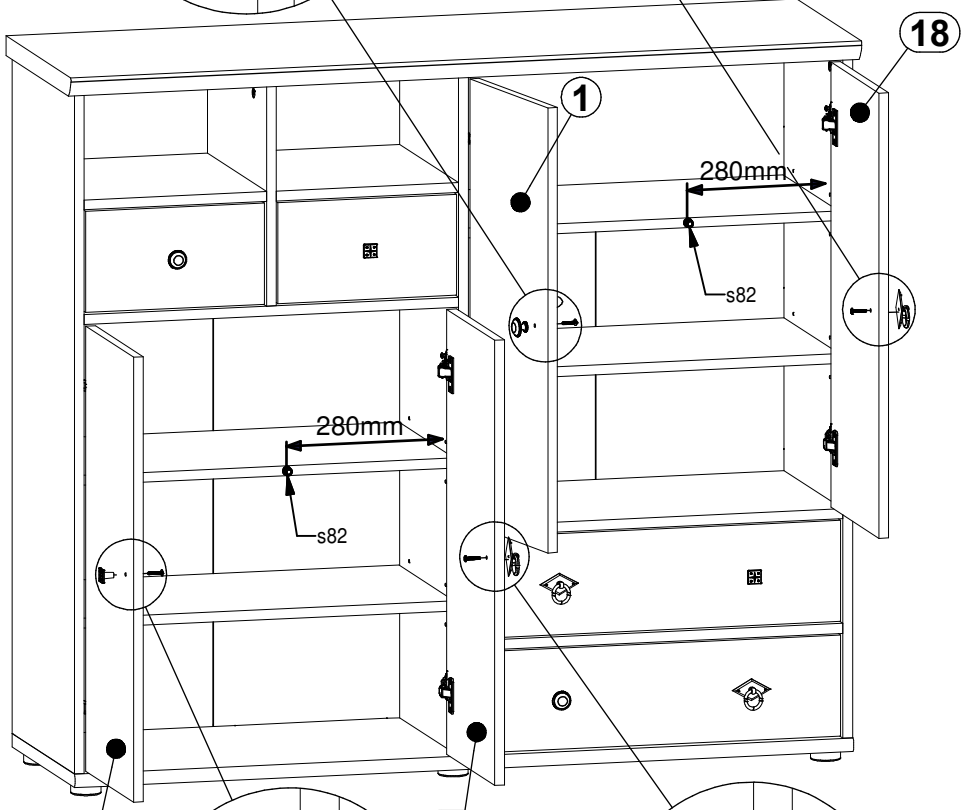
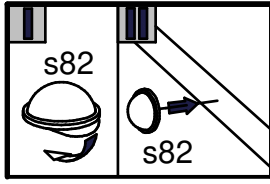
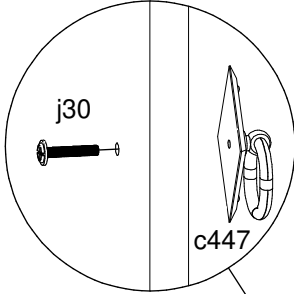
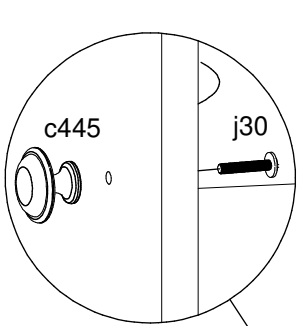
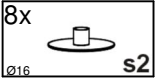
- 1x a43
- 1x a101
- 4x p51  $\varnothing 3.5 \times 15 \text{ mm}$

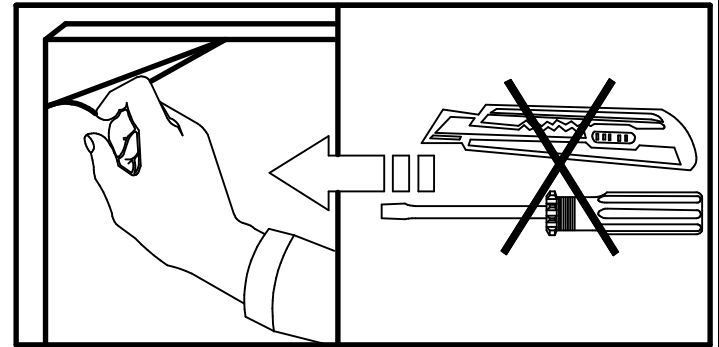
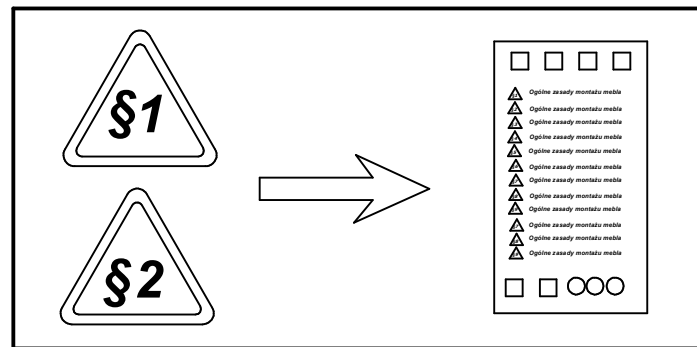
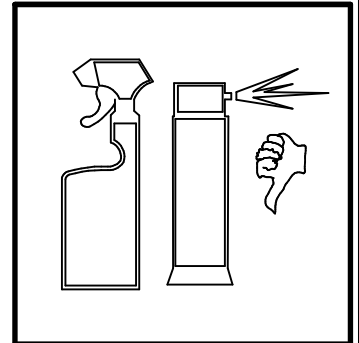
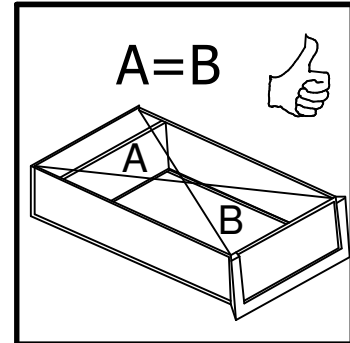
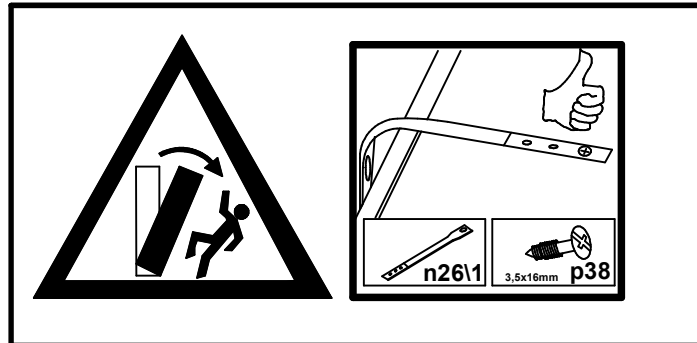
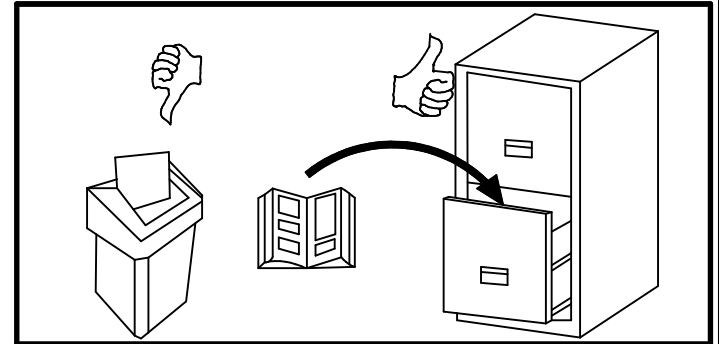
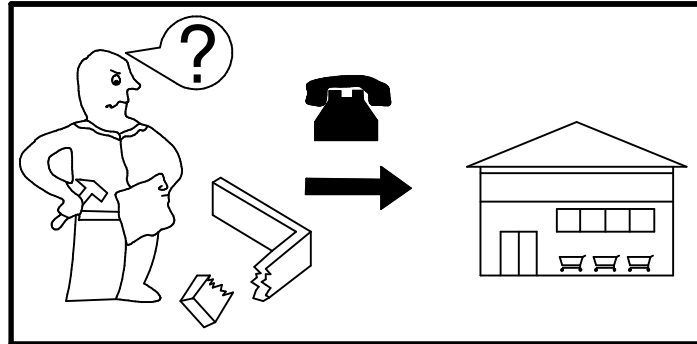
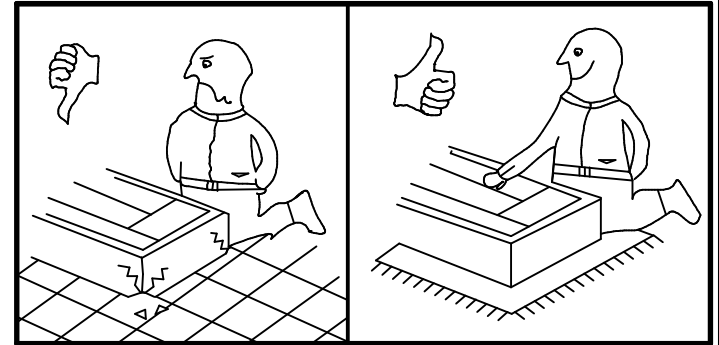
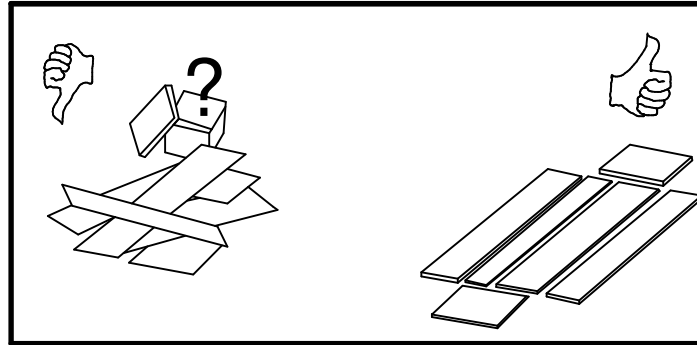
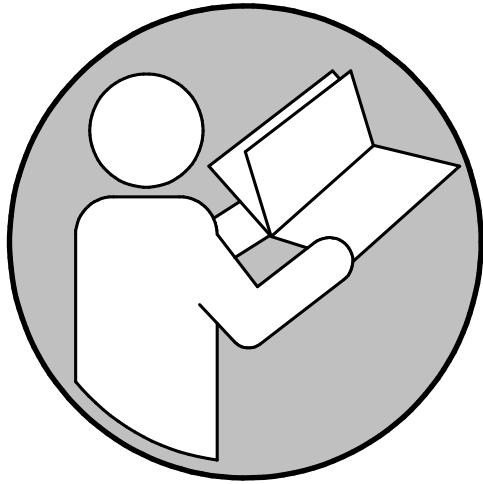


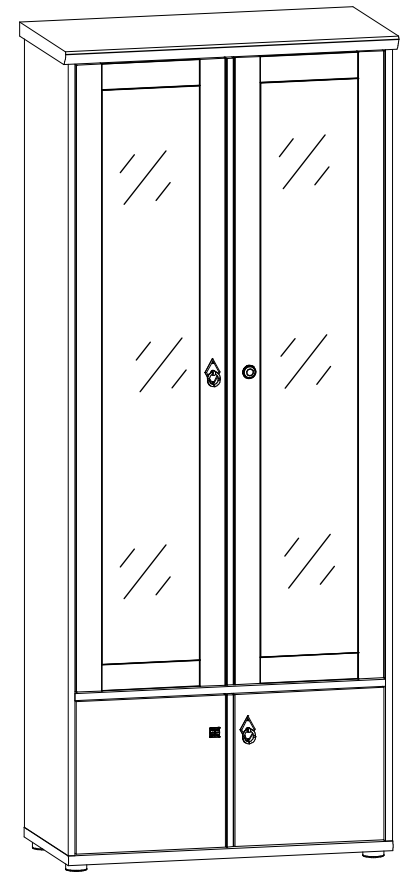
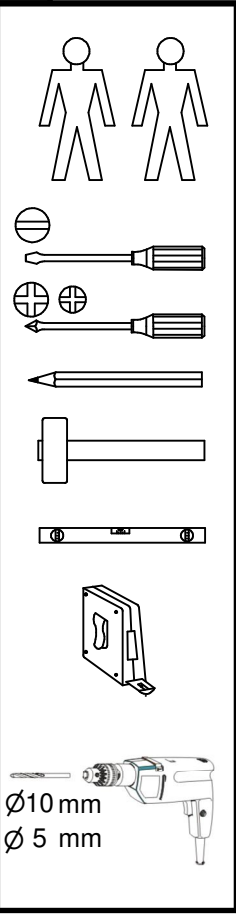
# 13



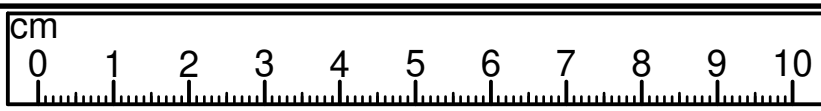
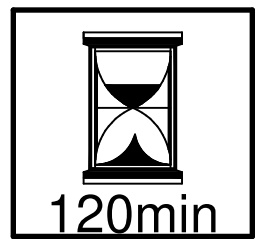
# 14





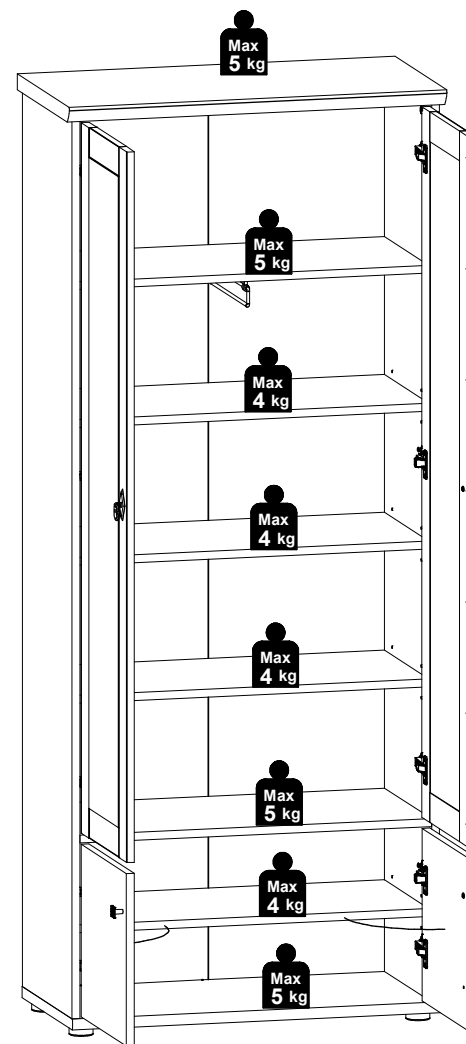
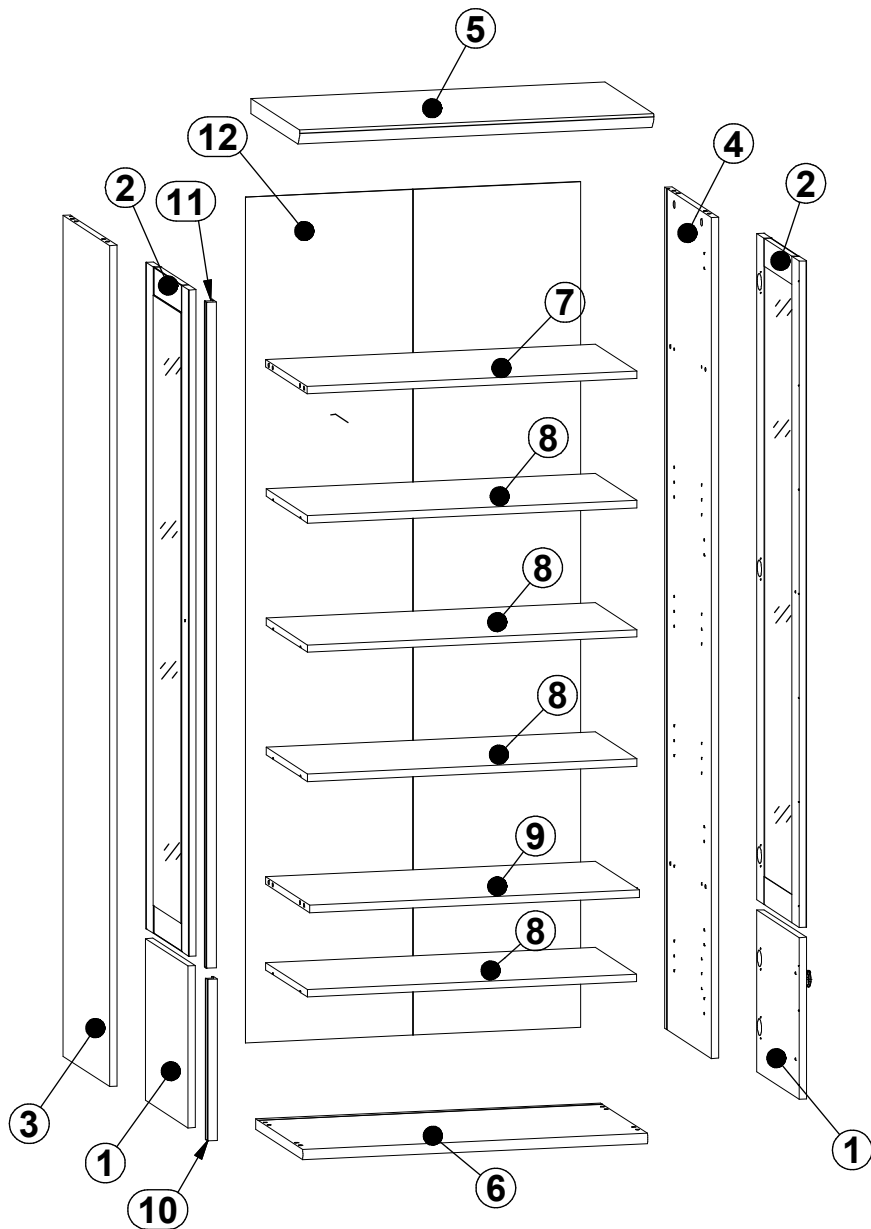


A	B	C (mm)		D
1	M196-0001	348	348	2/2
2	M196-0002A	1433	348,	2/2
3	M196-1001	1809	382	2/2
4	M196-1002	1809	382	2/2
5	M196-2001	777	400	1/2
6	M196-2002	757	387	1/2
7	M196-3001	724	340	1/2
8	M196-3002	723,	340	1/2
9	M196-3003	724	362	1/2
10	M196-5501	347	33	2/2
11	M196-5502A	1432	33	2/2
12	M196-9301	1819,	735	2/2



4x  a43	6x  a101	4x  b35	6x  b59	1x  c445	1x  c446	2x  c447	16x  Ø5x17 mm d1	4x  Ø7x50 mm e1	16x  Ø8x30 mm f1	4x  M4x22 mm j30	5x  k27	14x  l1
20x  i2	1x  L=300 mm m6	4x  Ø3.5x13 mm p27	10x  Ø3.5x16 mm p38	20x  Ø3.5x15 mm p51	12x  Ø15x12 mm #16 r1	12x  r42	8x  Ø16 s2	2x  S82	1x  z1			
									1x  Ø10x50 mm f35	1x  Ø6x21x15/1.5 n14/2	1x  Ø5x60 mm p17	2x  Ø3.5x16 mm p38





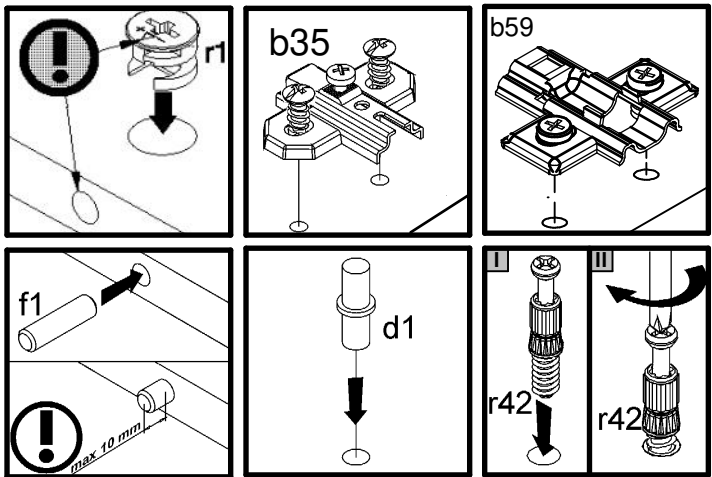
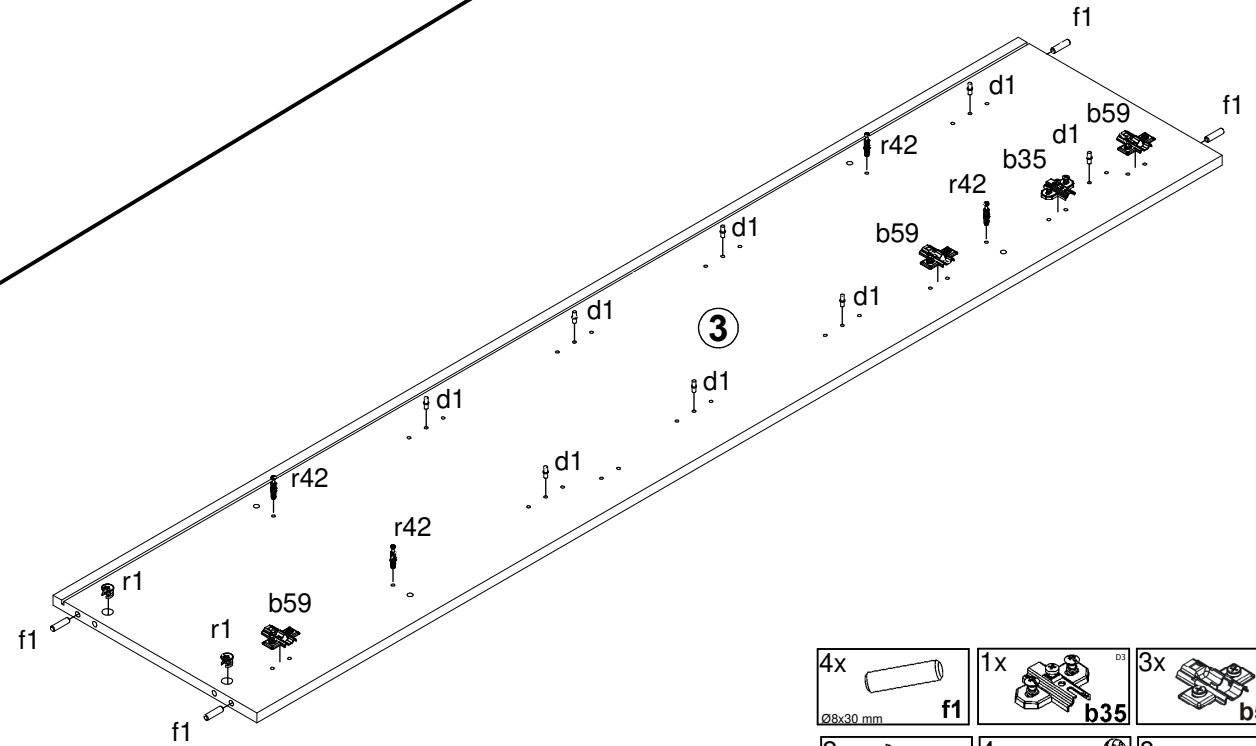
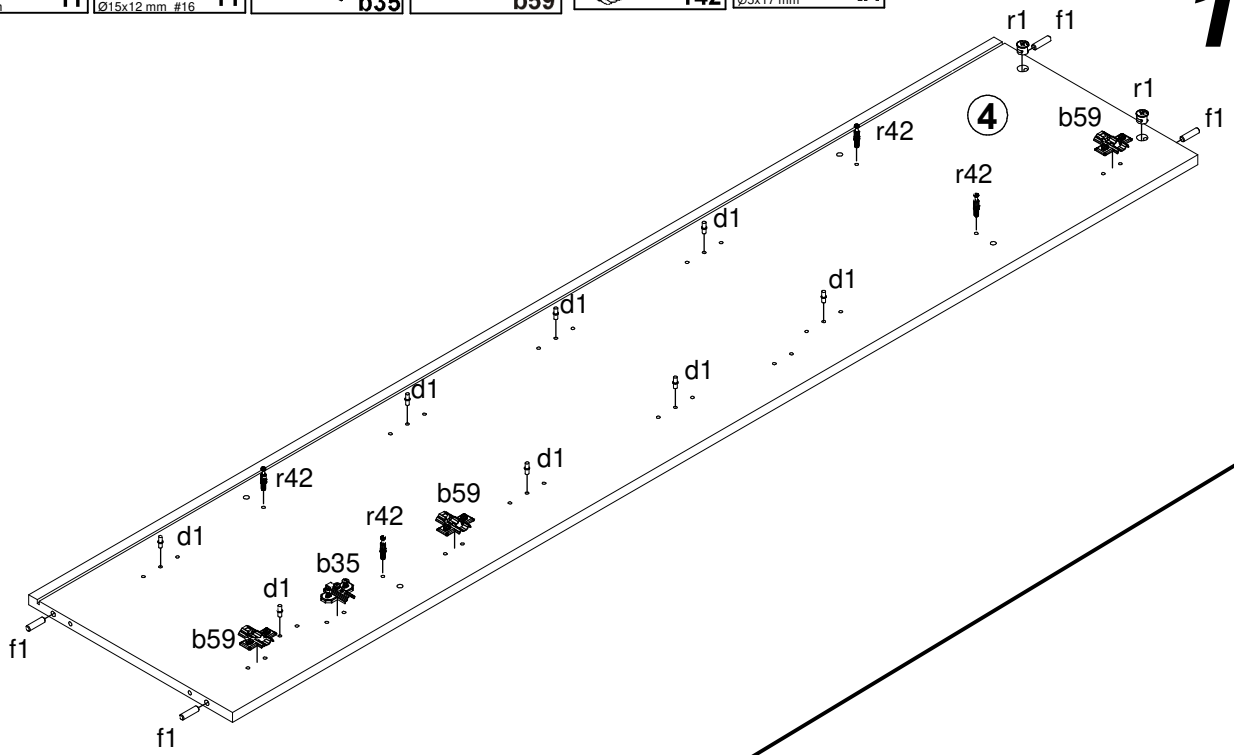
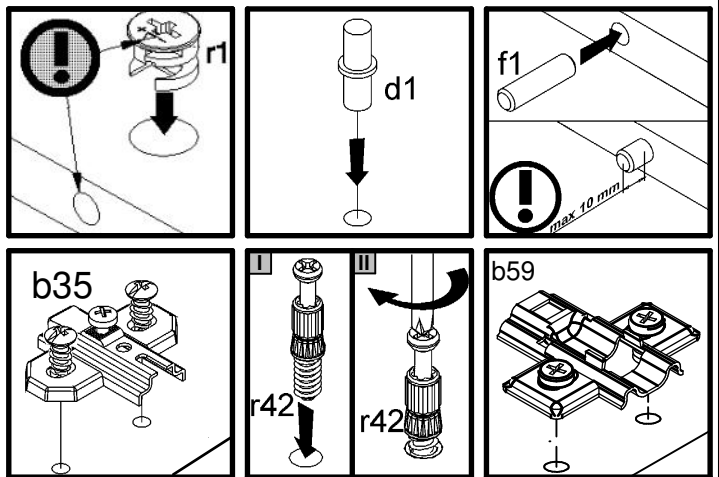
**A**

**M196-REG2D2L/19/8**

**3064--01**

4 / 12

4x Ø8x30 mm f1	2x Ø15x12 mm #16 r1	1x b35	3x b59	4x r42	8x Ø5x17 mm d1
----------------------	---------------------------	-----------	-----------	-----------	----------------------



4x Ø8x30 mm f1	1x b35	3x b59
2x Ø15x12 mm #16 r1	4x r42	8x Ø5x17 mm d1

A

M196-REG2D2L/19/8

3064--01

5 / 12

1

4x

Ø3,5x13 mm p27

1x

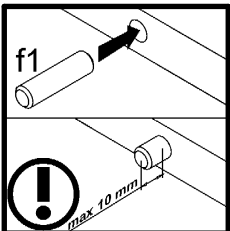
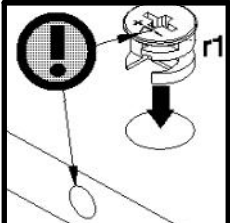
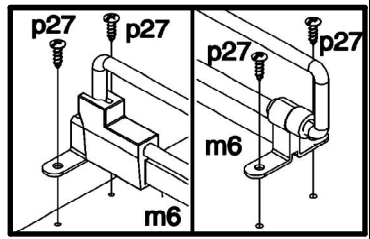
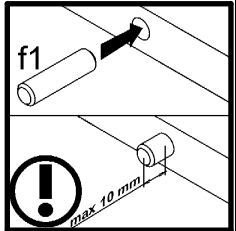
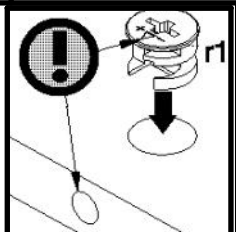
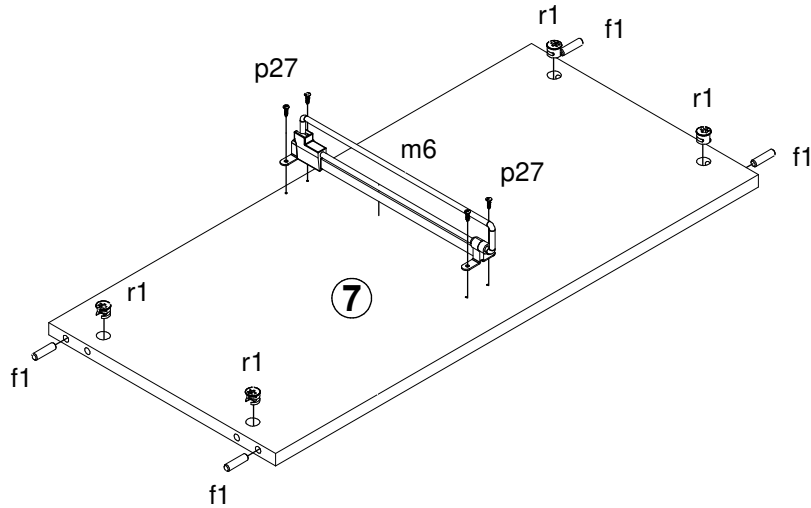
L=300 mm m6

4x

Ø15x12 mm #16 r1

4x

Ø8x30 mm f1

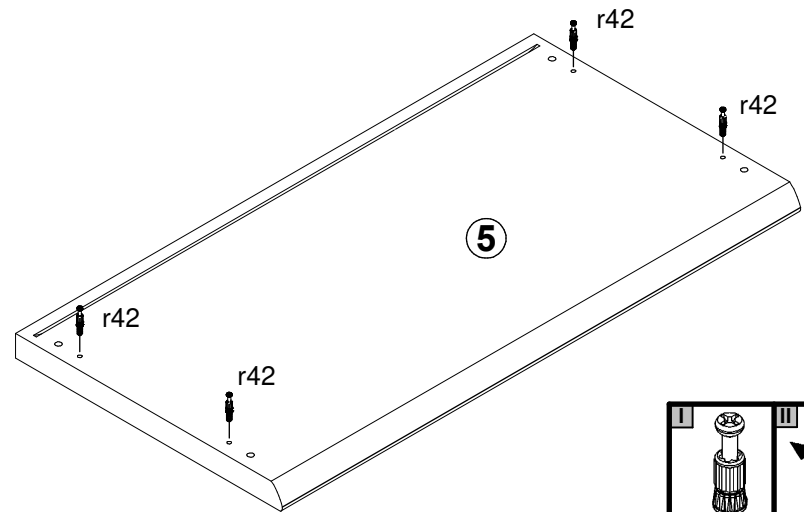
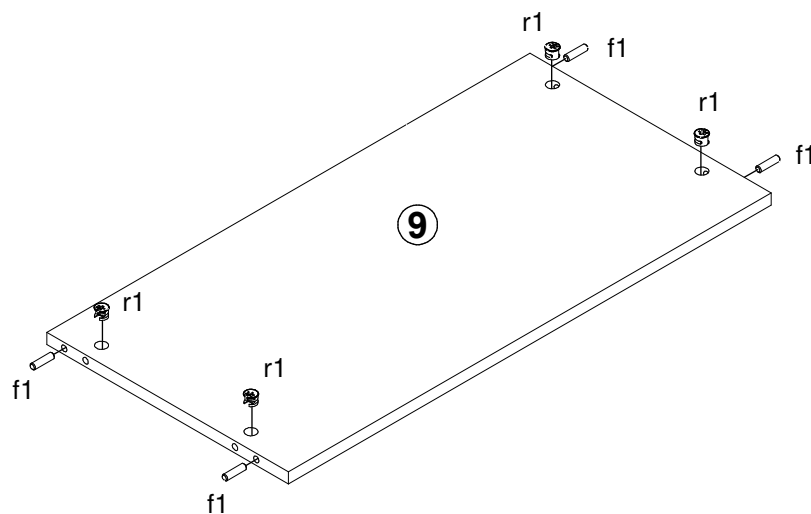


4x

Ø8x30 mm f1

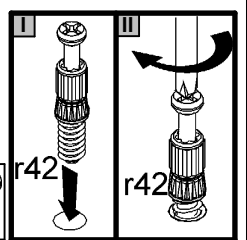
4x

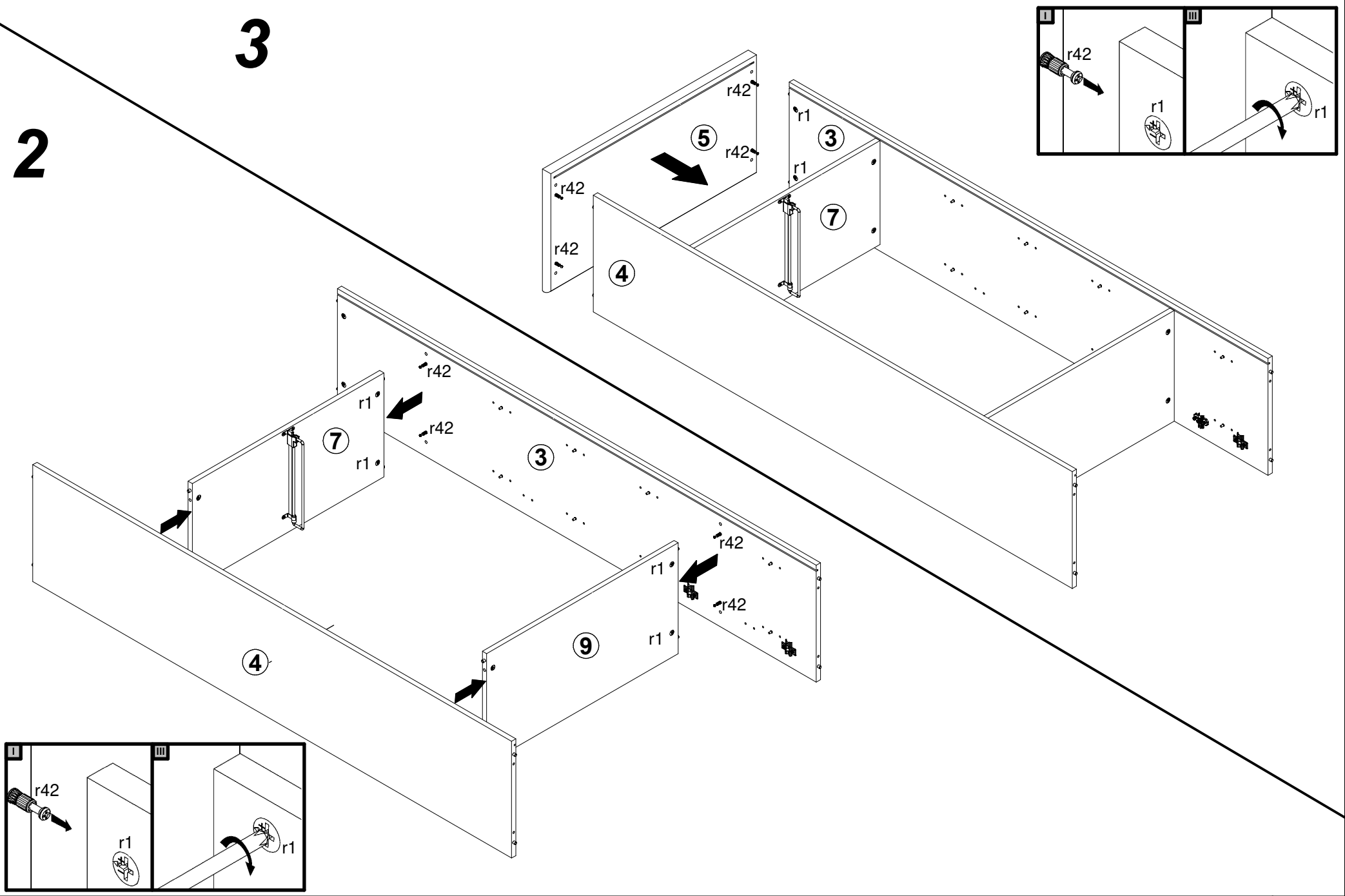
Ø15x12 mm #16 r1



4x

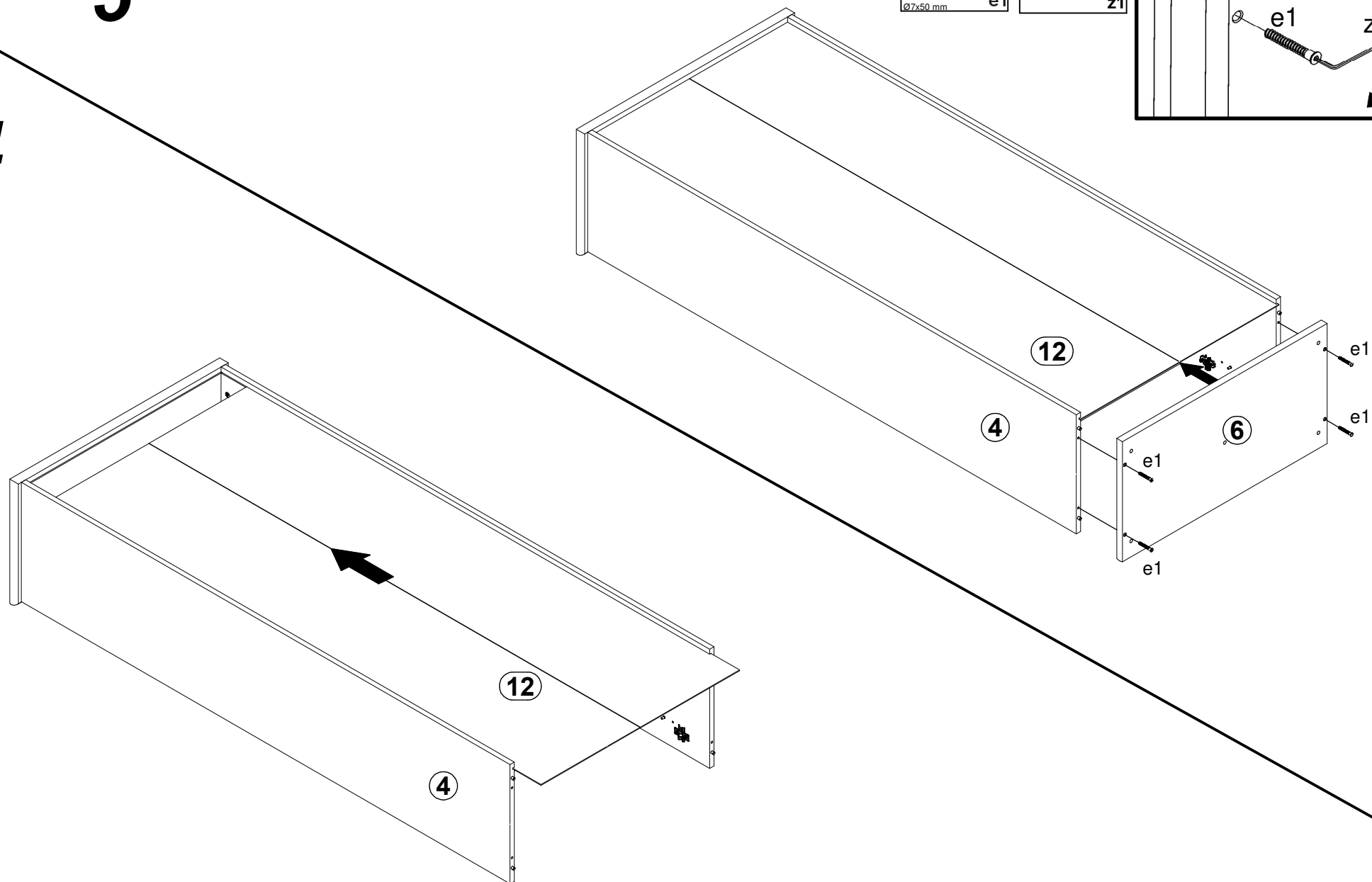
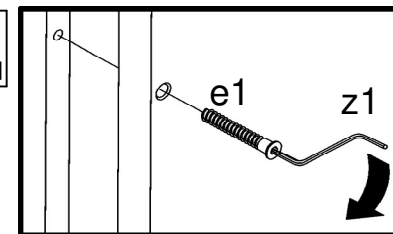
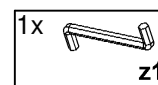
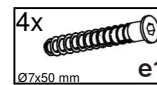
r42

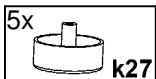
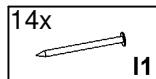
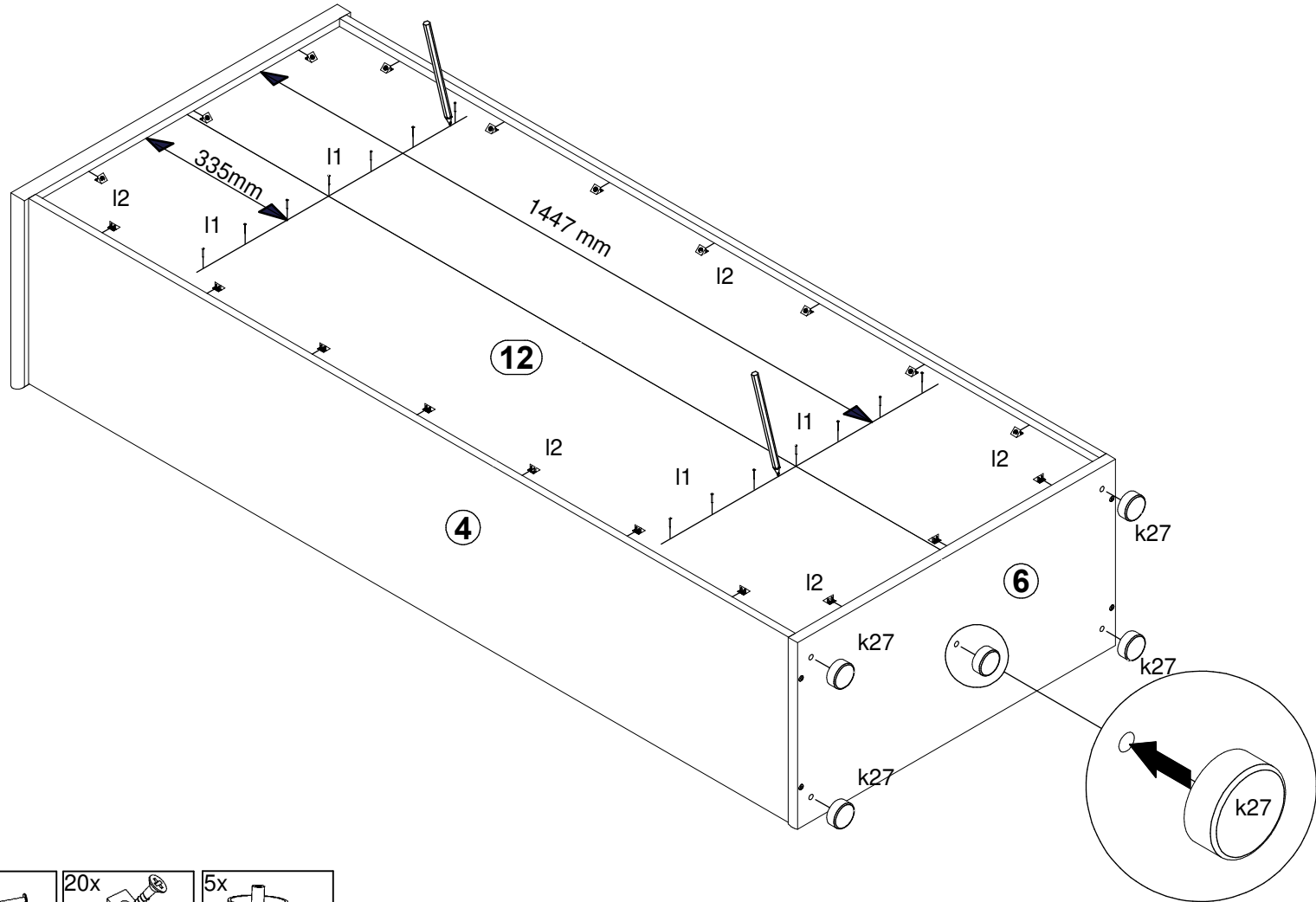
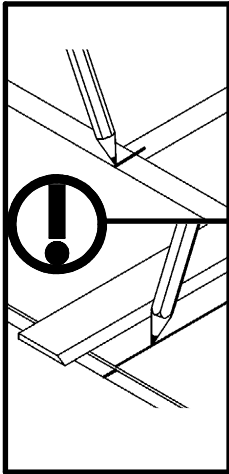
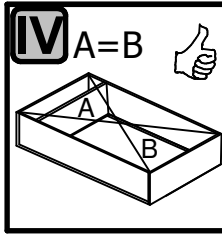
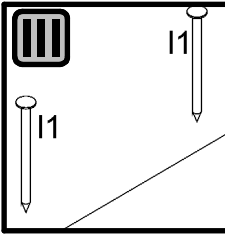
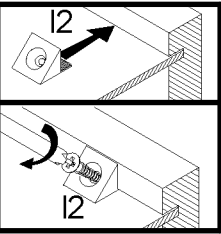
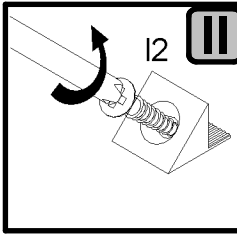
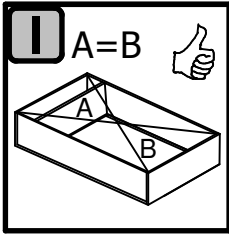


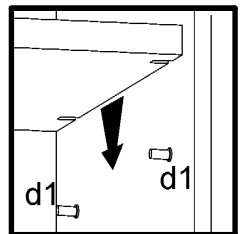
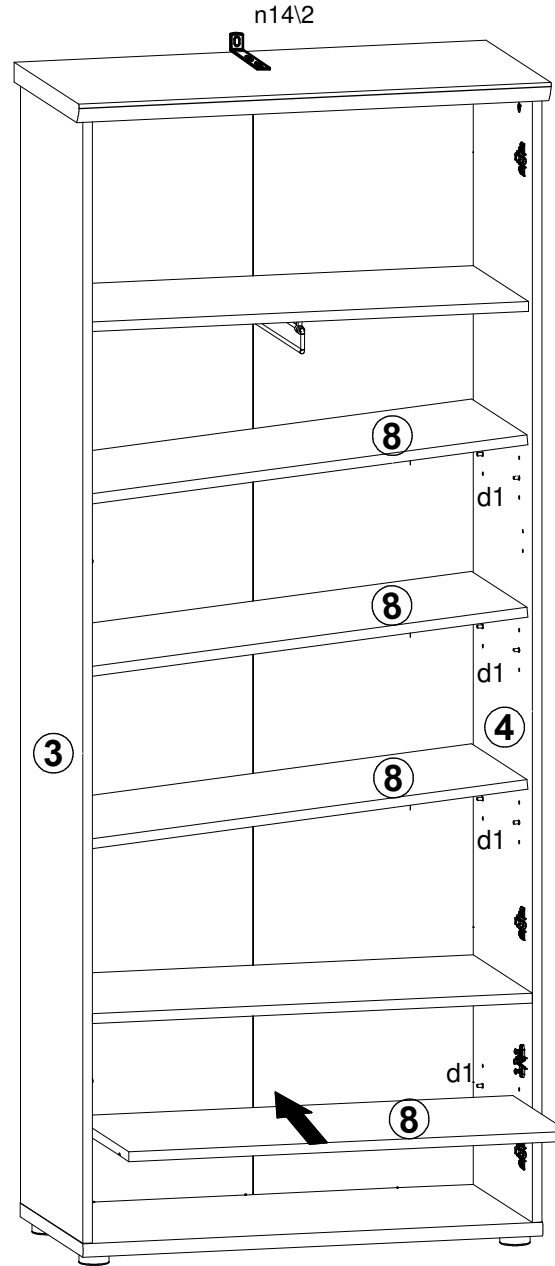
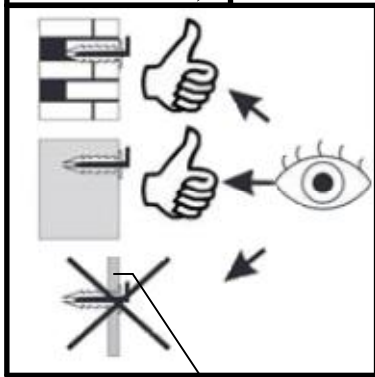
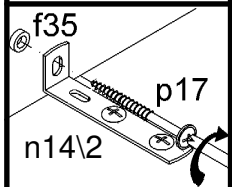
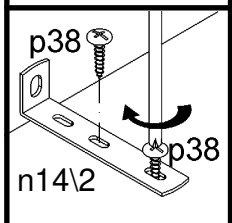
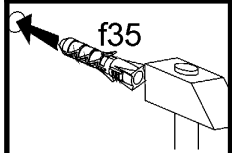
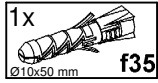
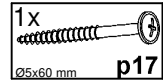
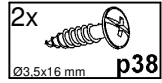
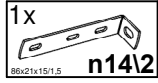
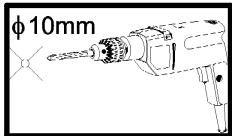


5

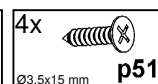
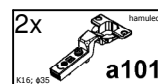
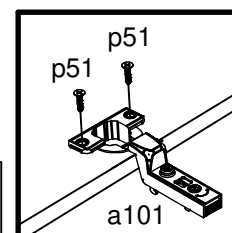
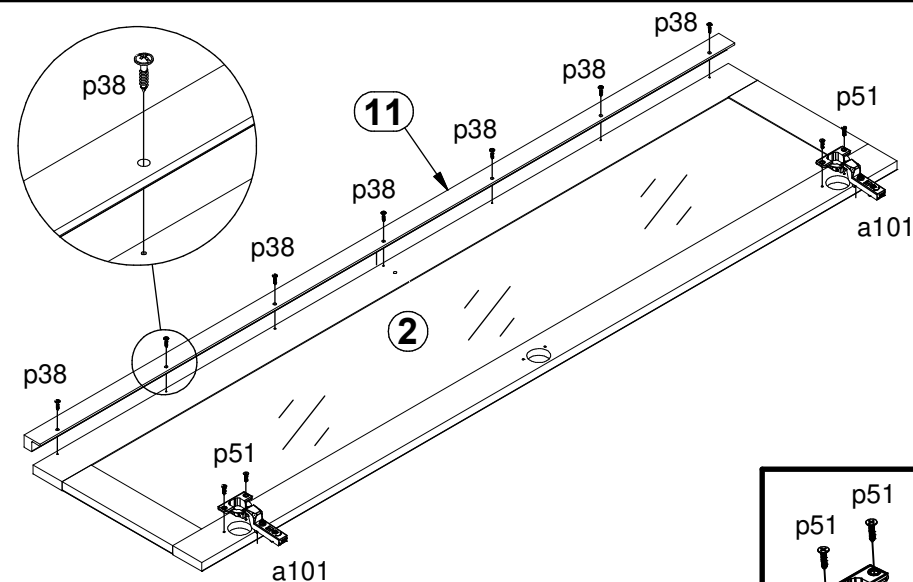
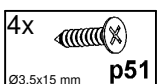
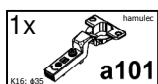
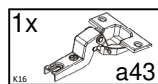
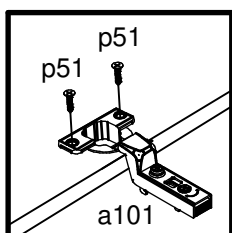
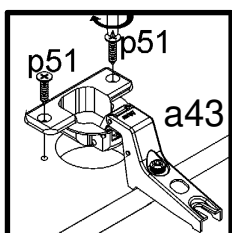
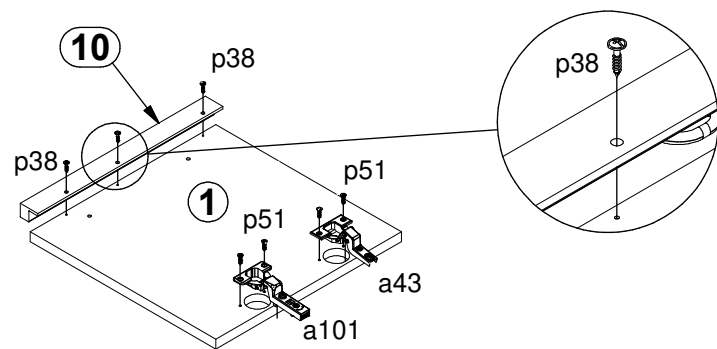
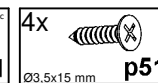
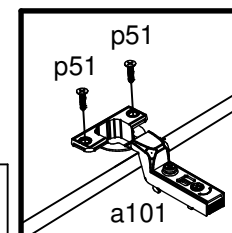
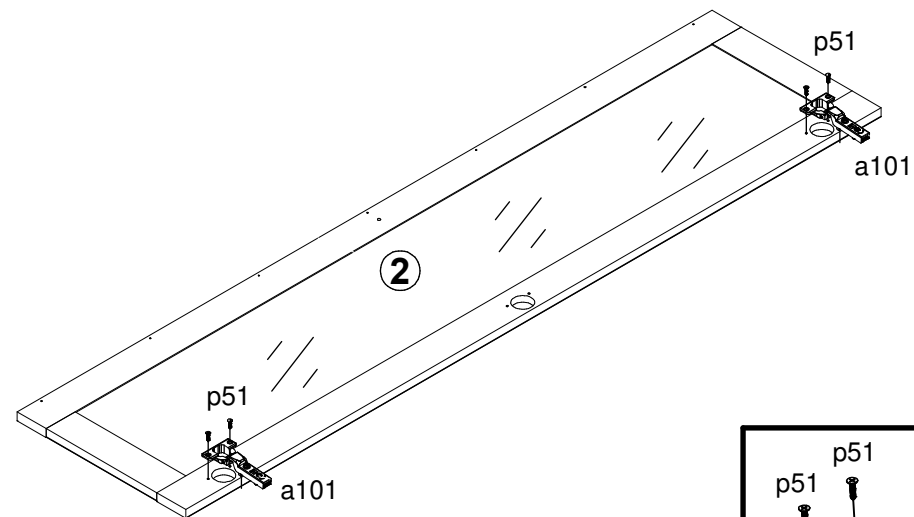
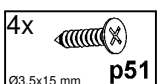
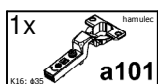
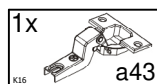
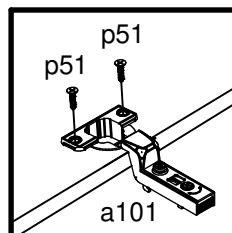
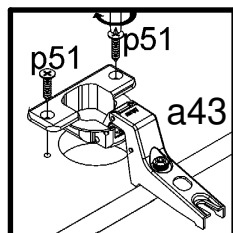
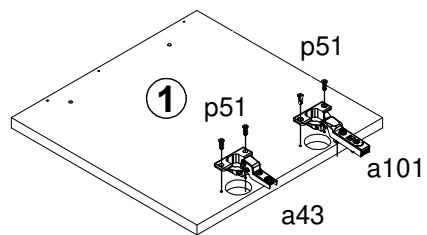
4



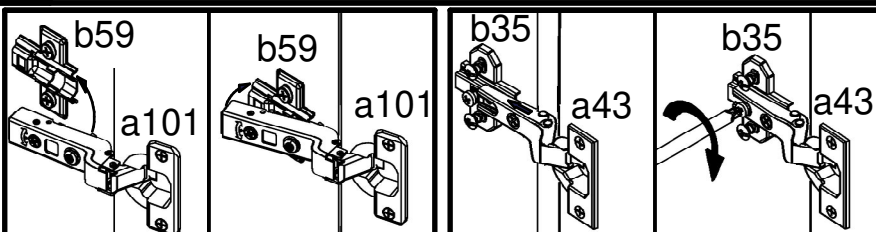




8

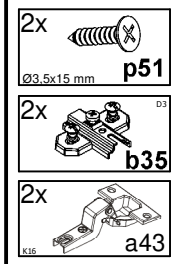
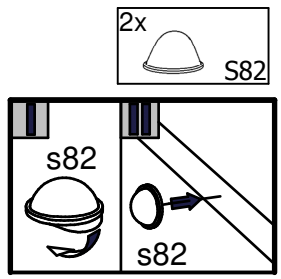
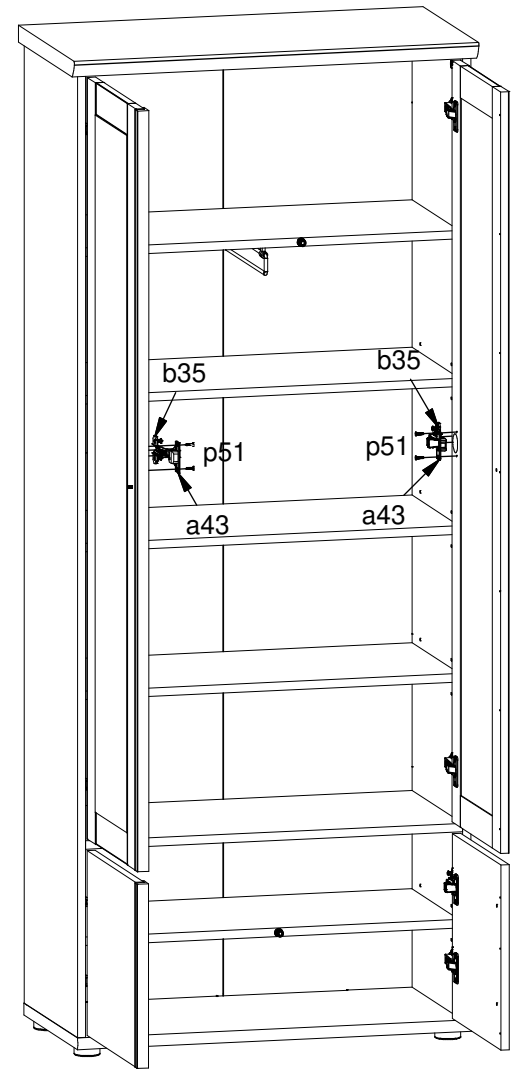
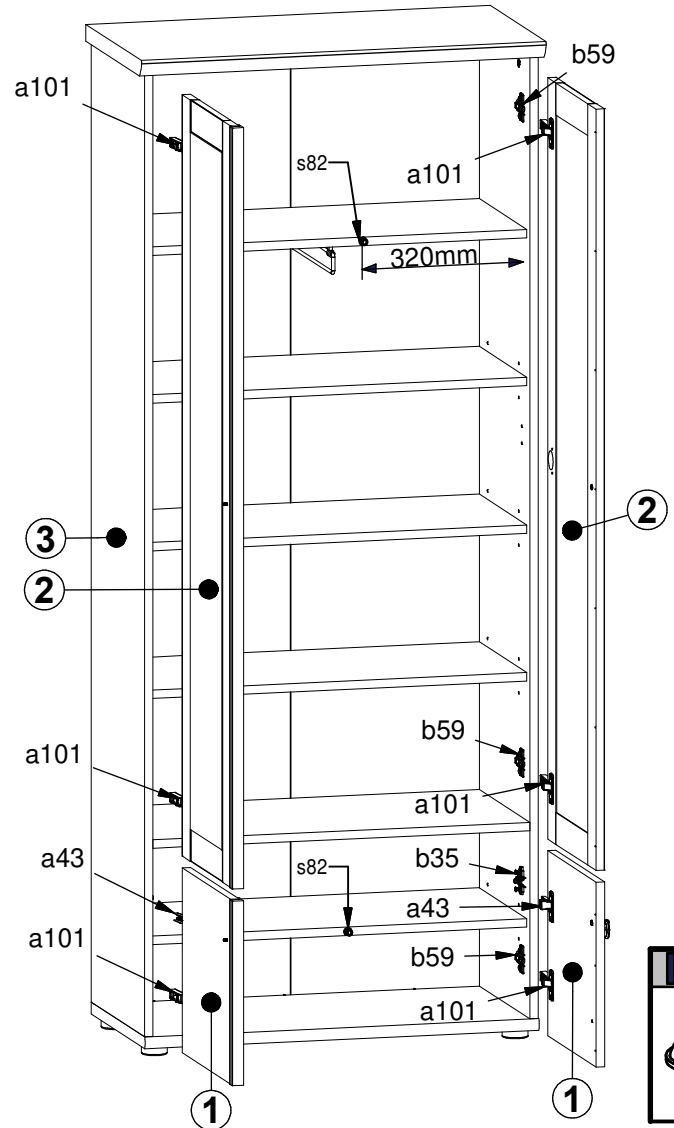
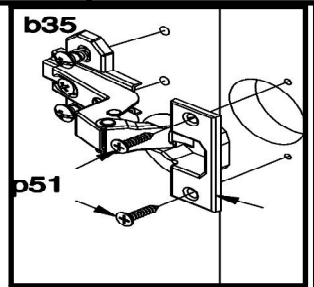
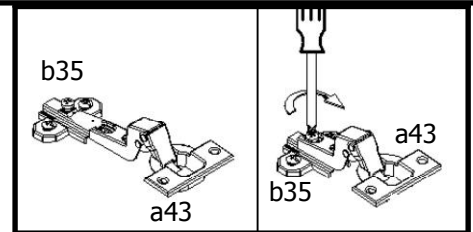


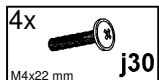
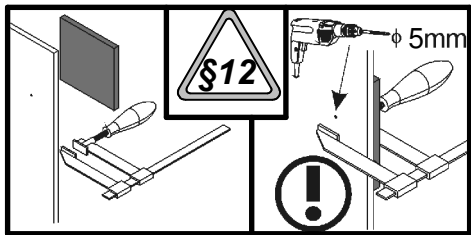




9

10





11

