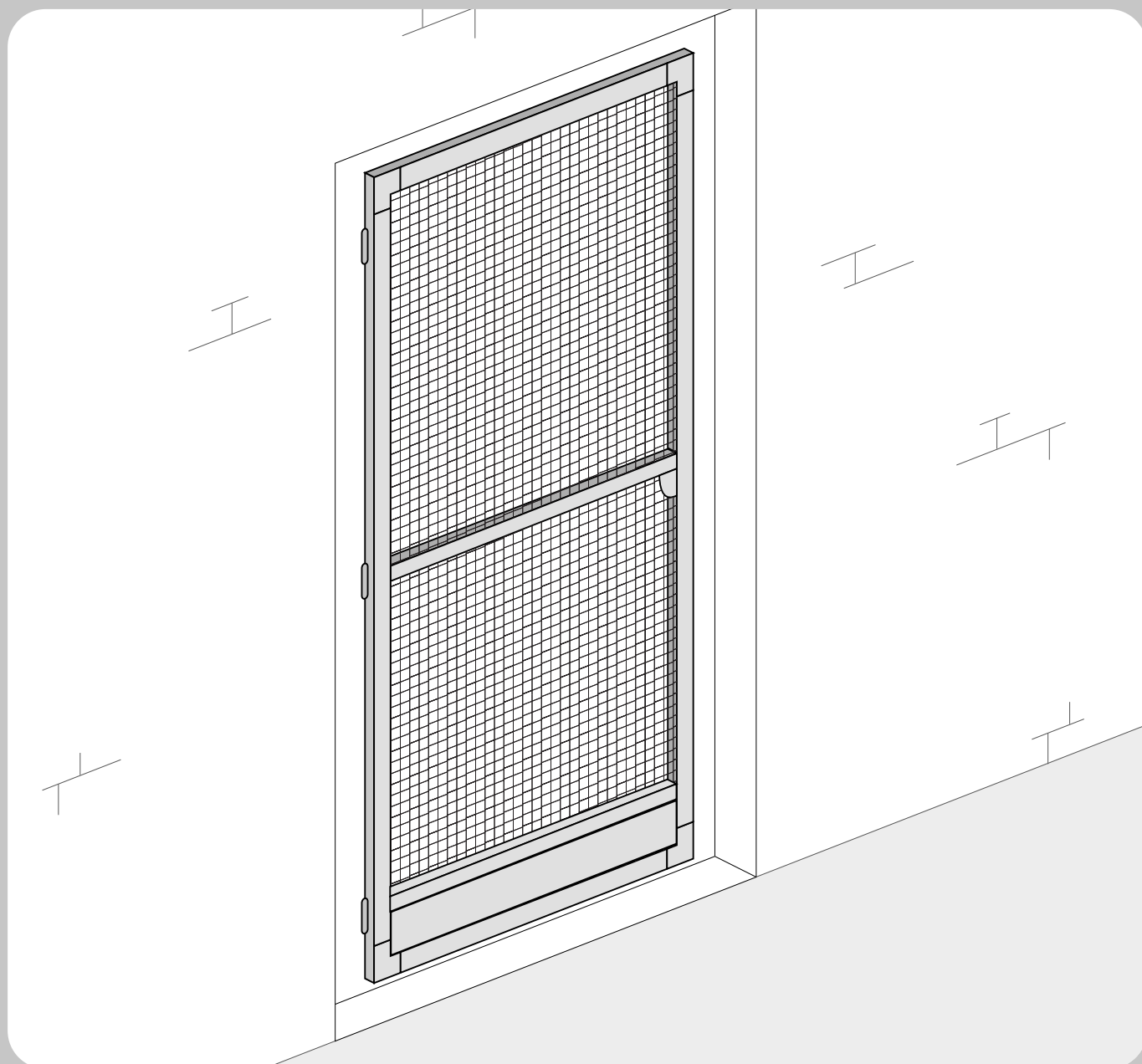
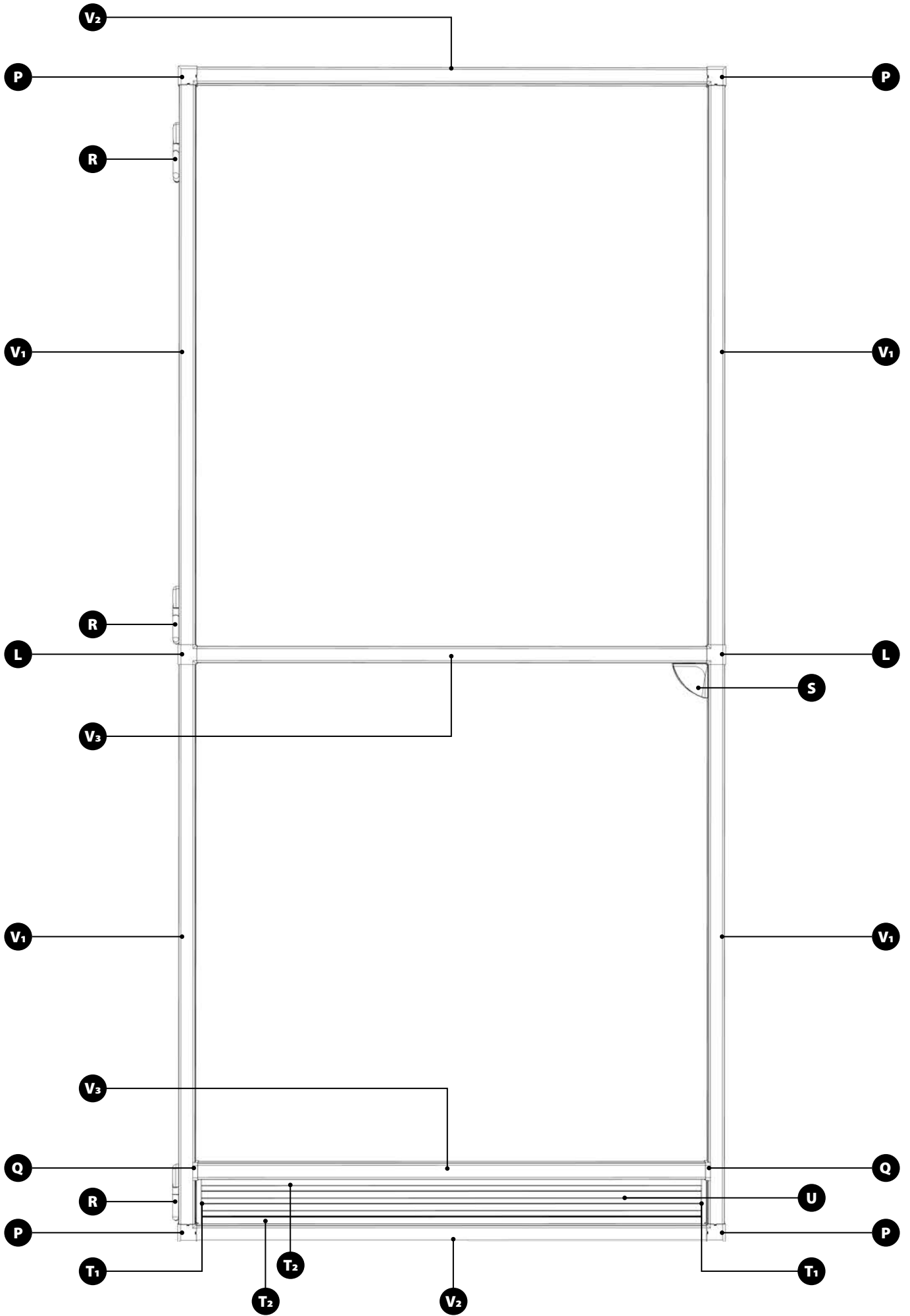
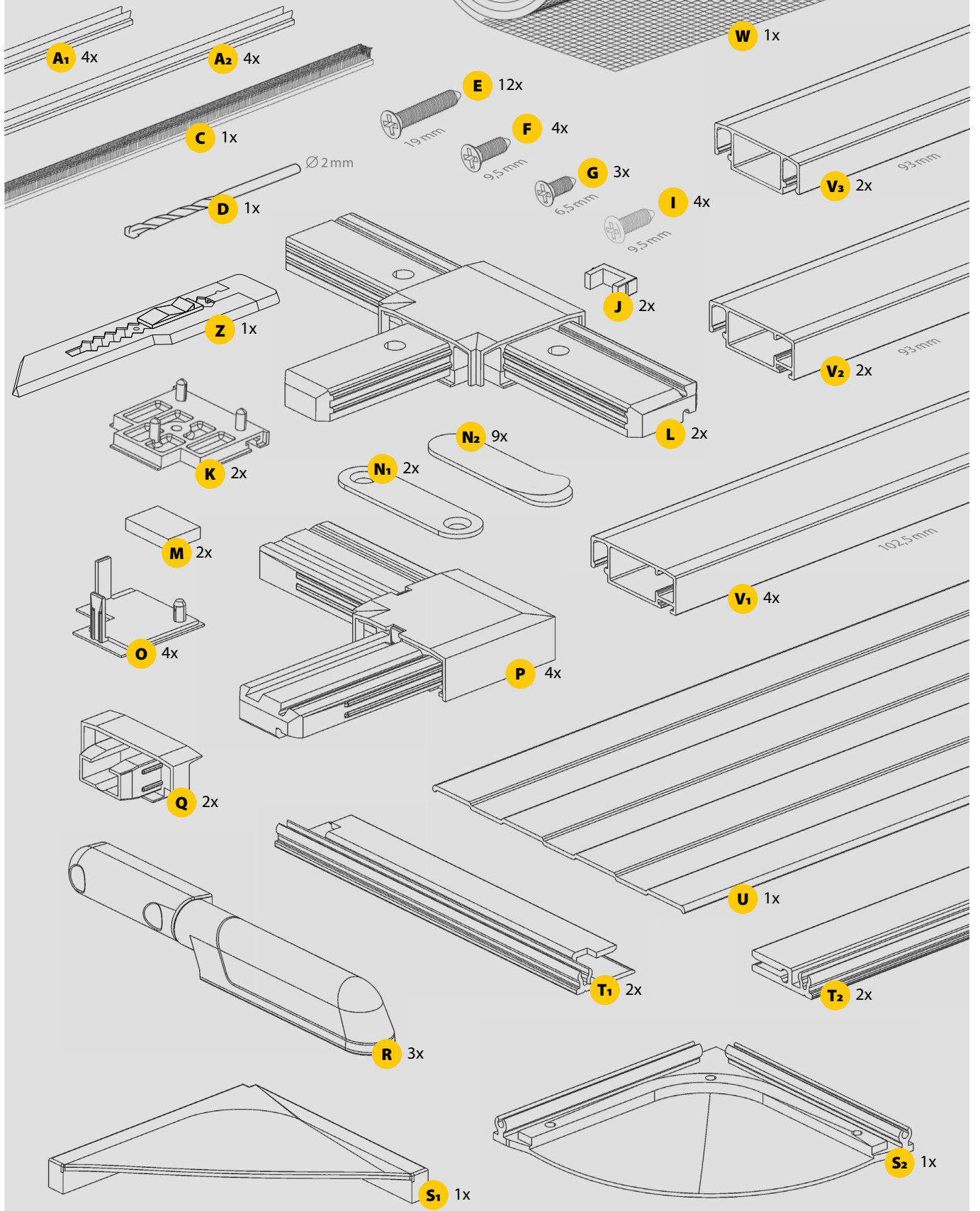
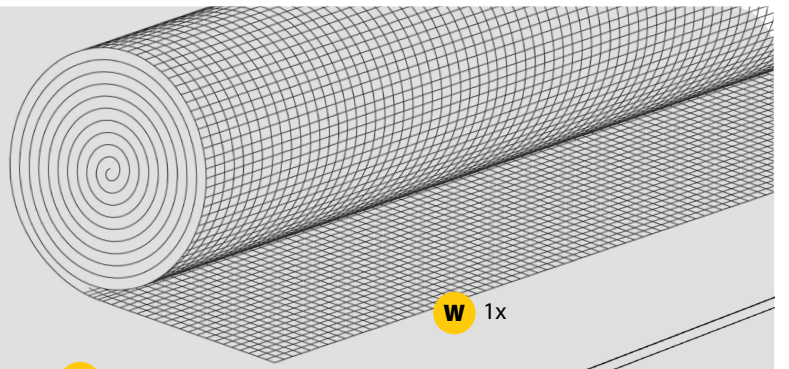
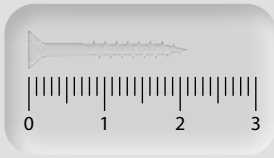


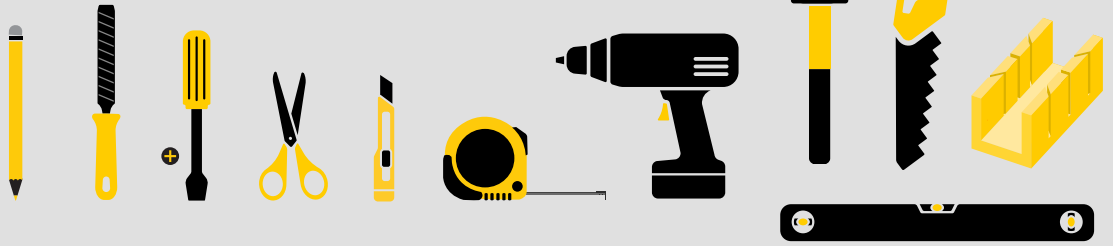
INSECTSYSTEM PREMIUM

70093, 70094, 70095, 70096

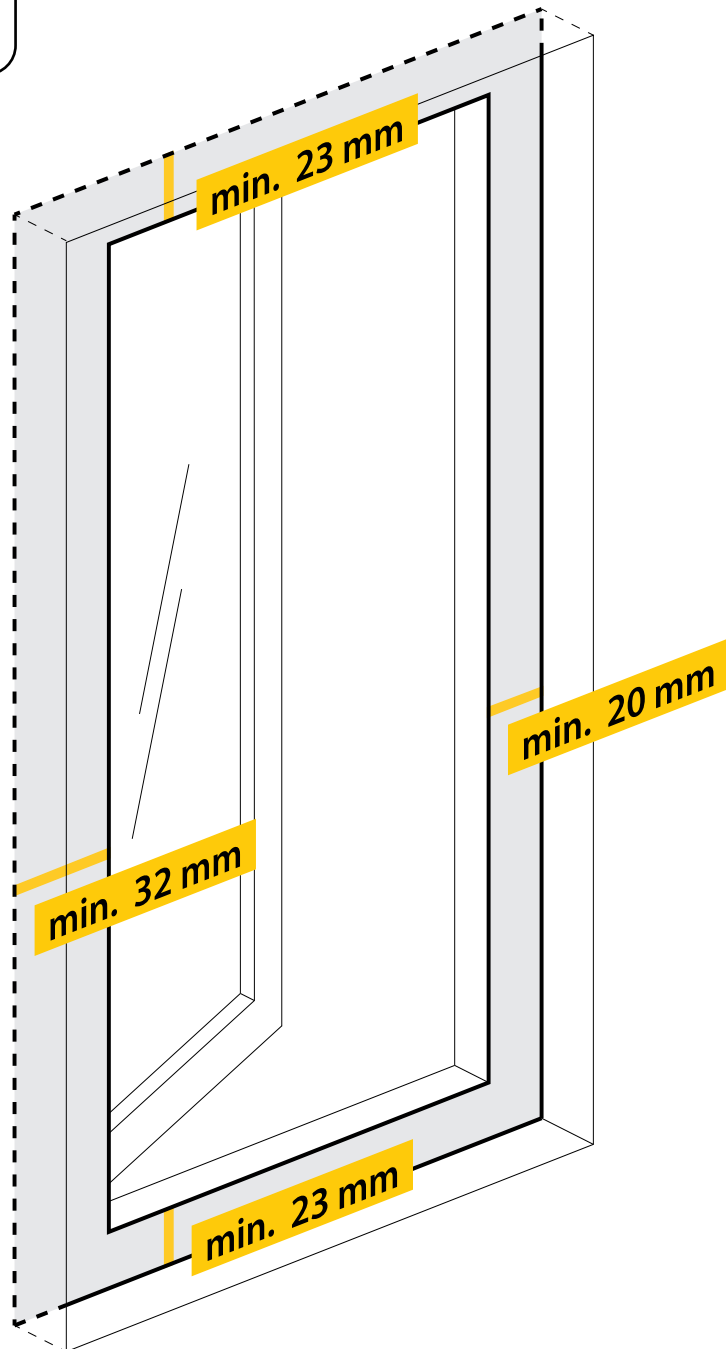


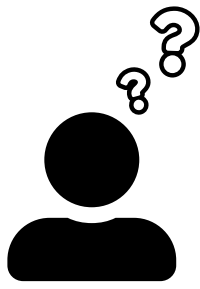






OPT 1

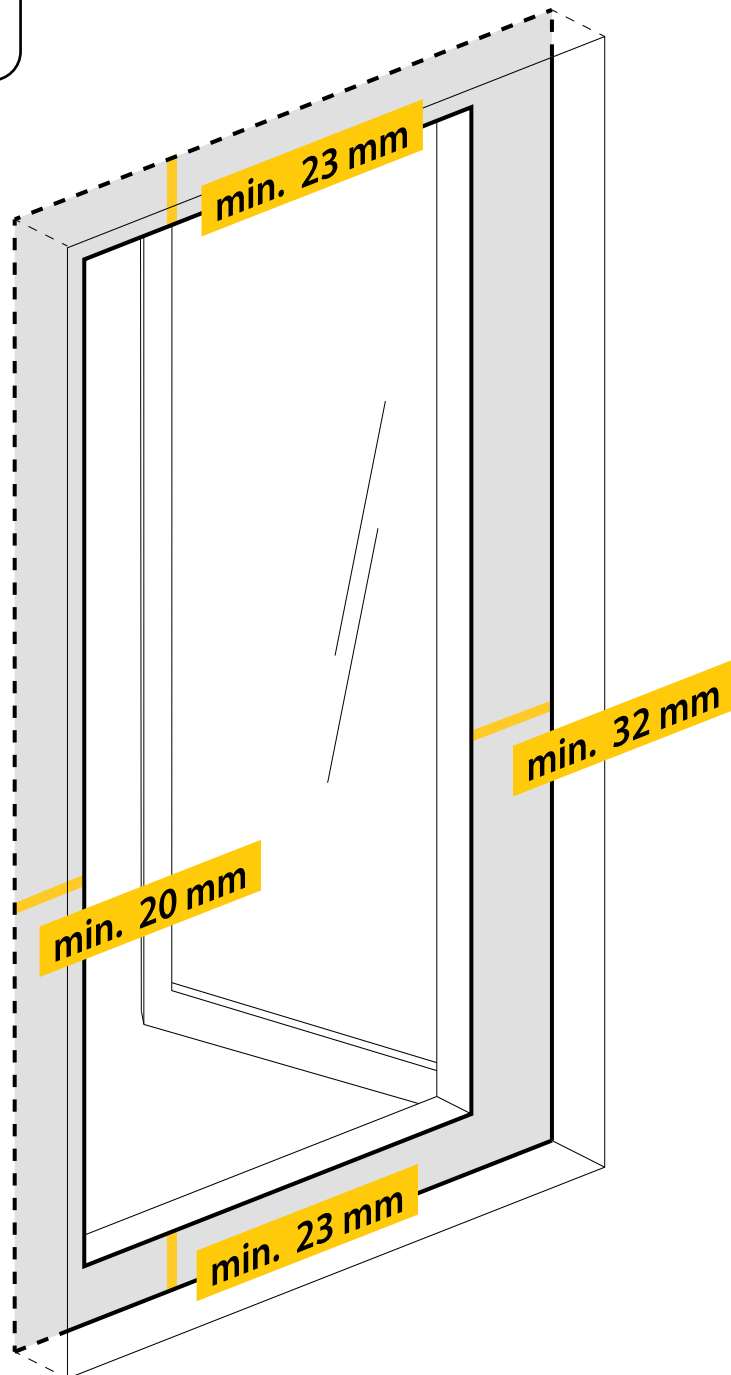




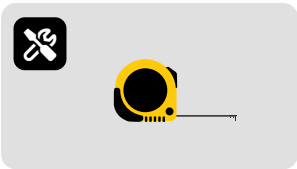
www.youtube.com/asmedien



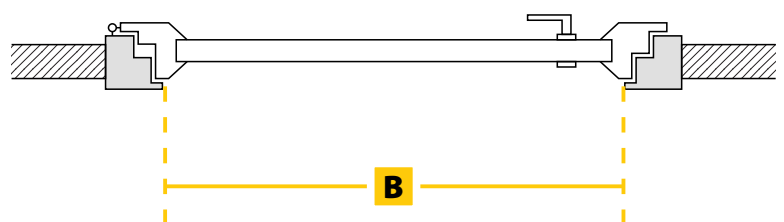
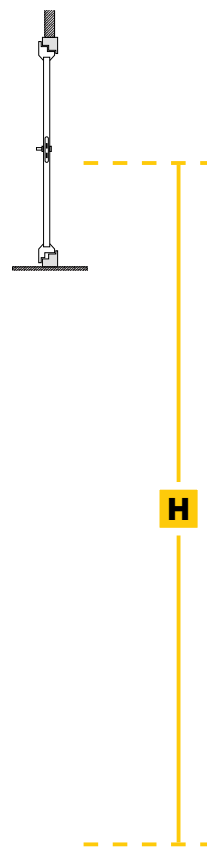
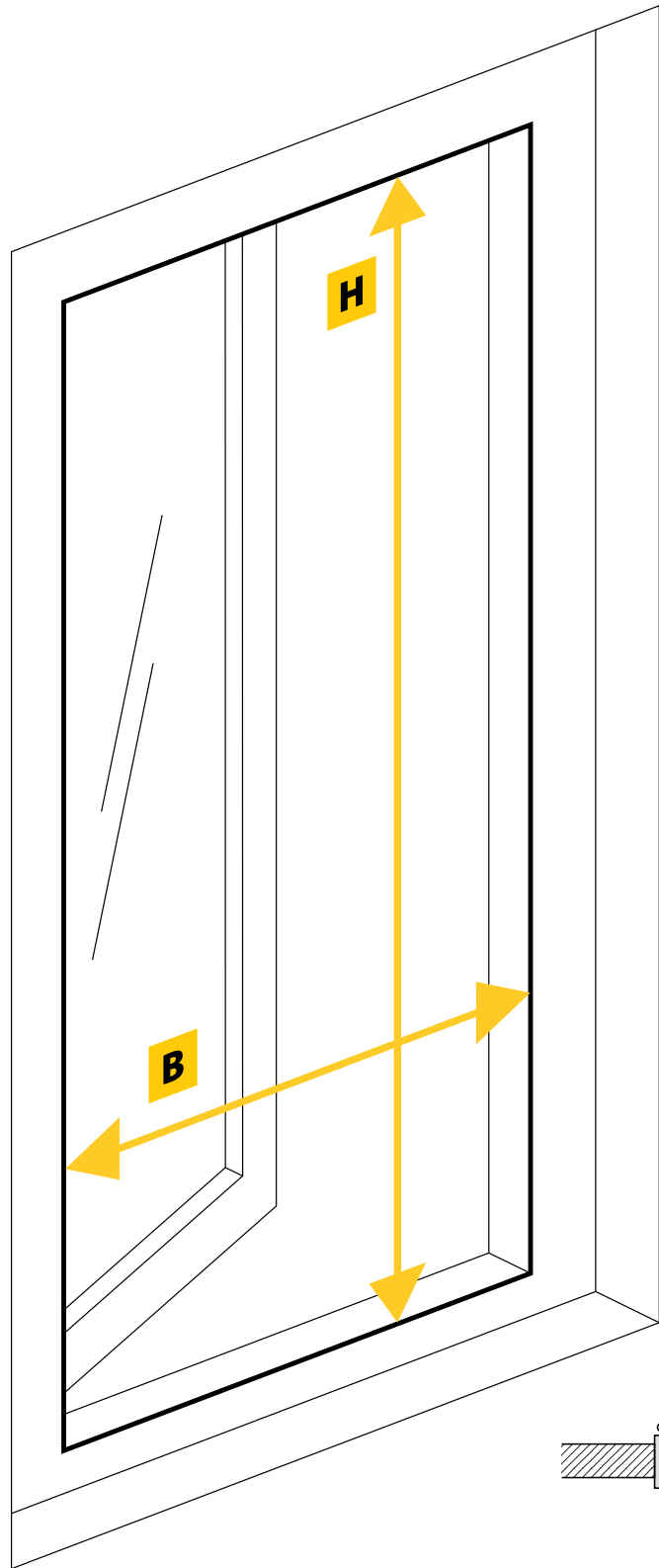
OPT 2



1



 **B** = _____ cm **H** = _____ cm





$$V_1 = (H - 6,0 \text{ cm}) : 2 = \underline{\hspace{2cm}} \text{ cm}$$



$$V_2 = B - 3,0 \text{ cm} = \underline{\hspace{2cm}} \text{ cm}$$



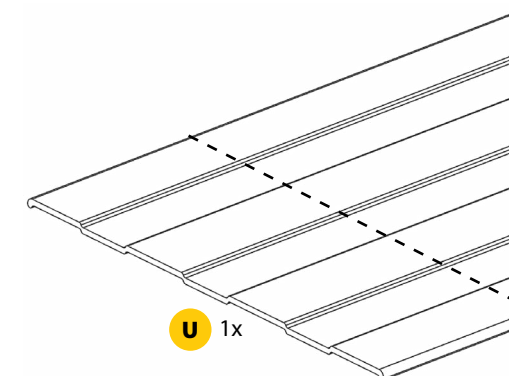
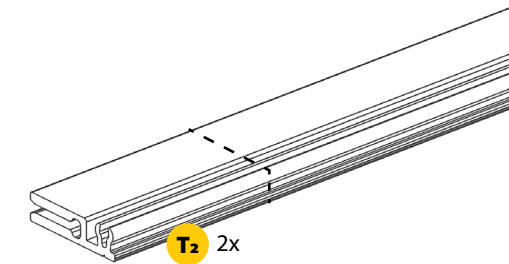
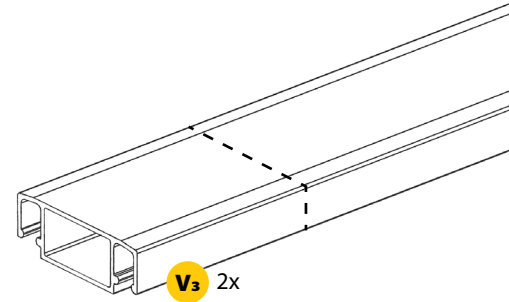
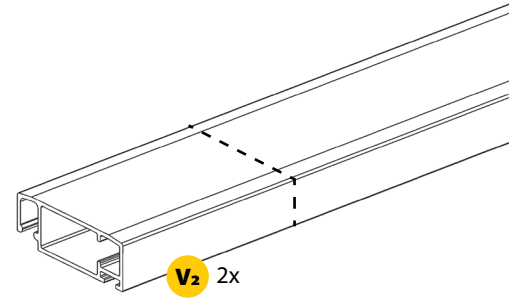
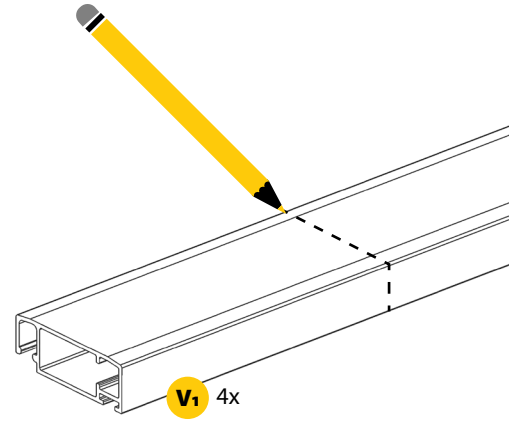
$$V_3 = B - 3,0 \text{ cm} = \underline{\hspace{2cm}} \text{ cm}$$

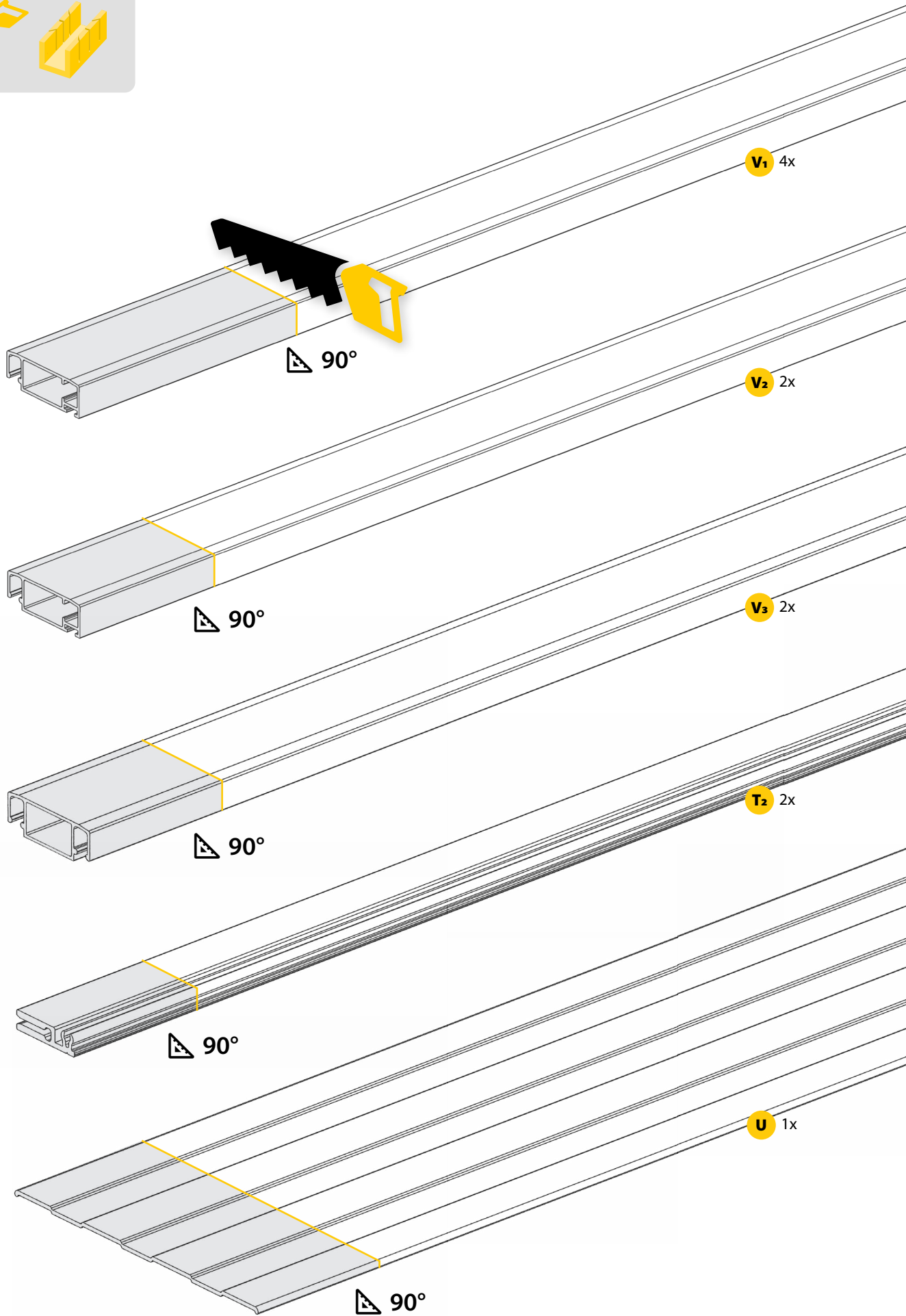
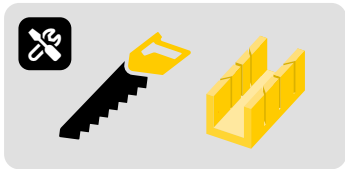


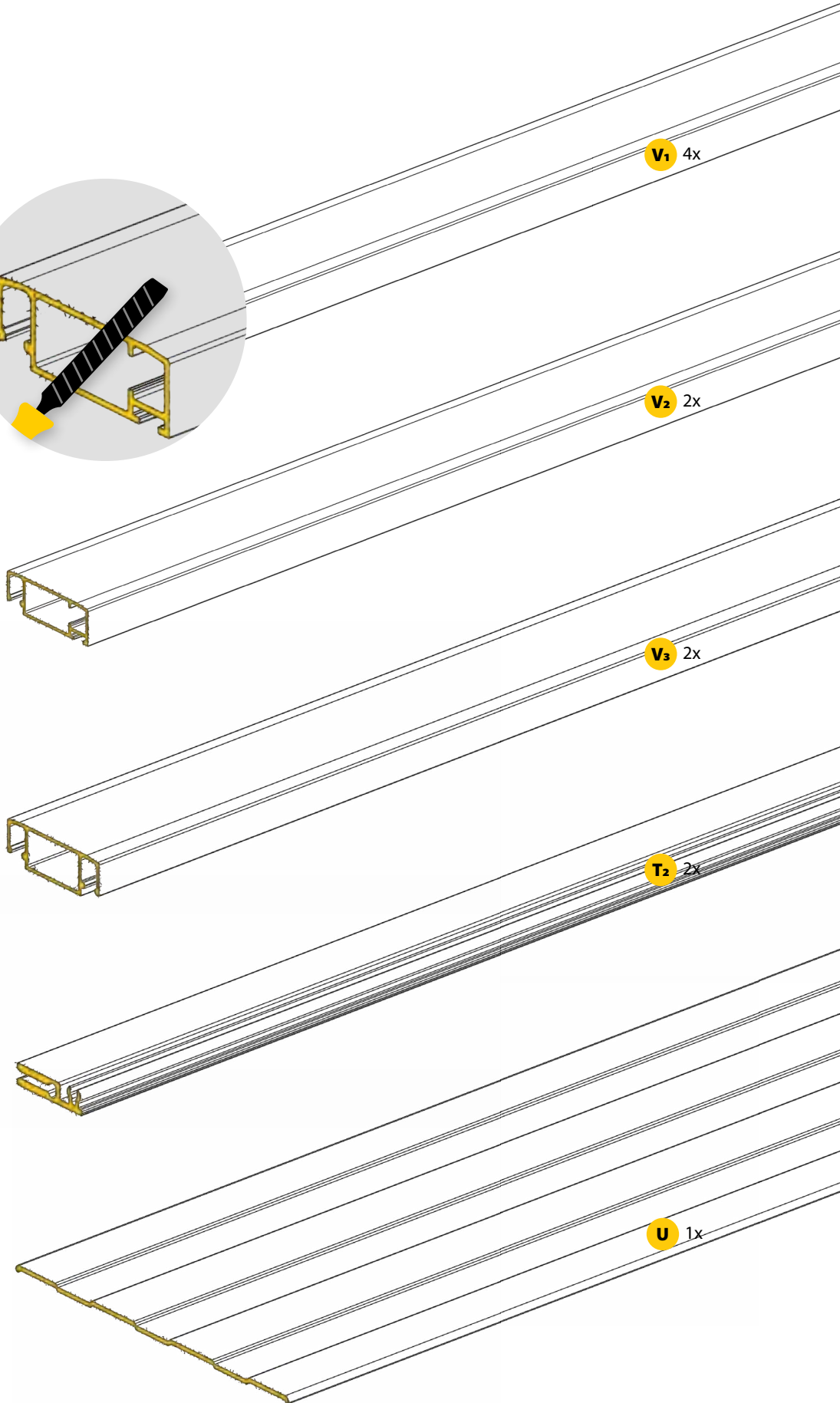
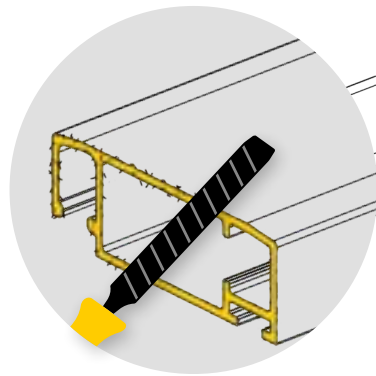
$$T_2 = B - 4,8 \text{ cm} = \underline{\hspace{2cm}} \text{ cm}$$



$$U = B - 3,0 \text{ cm} = \underline{\hspace{2cm}} \text{ cm}$$

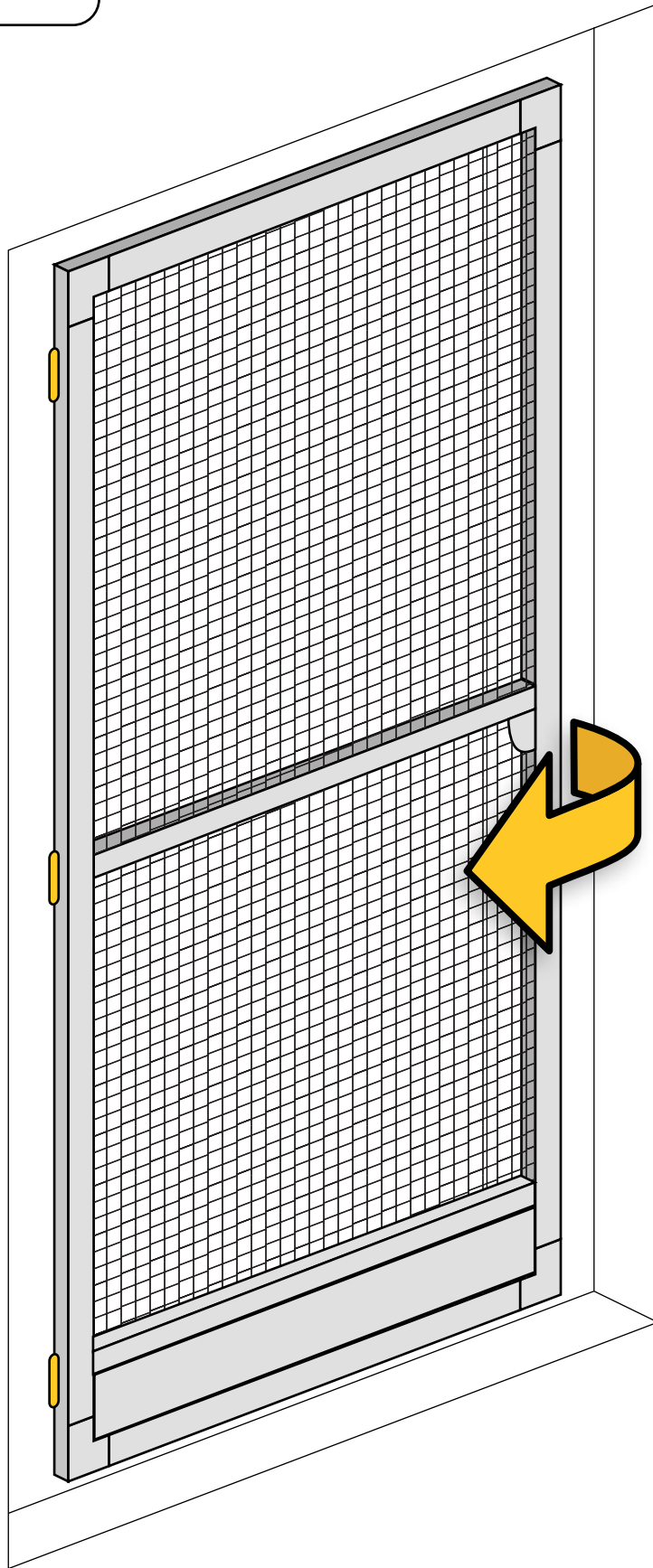






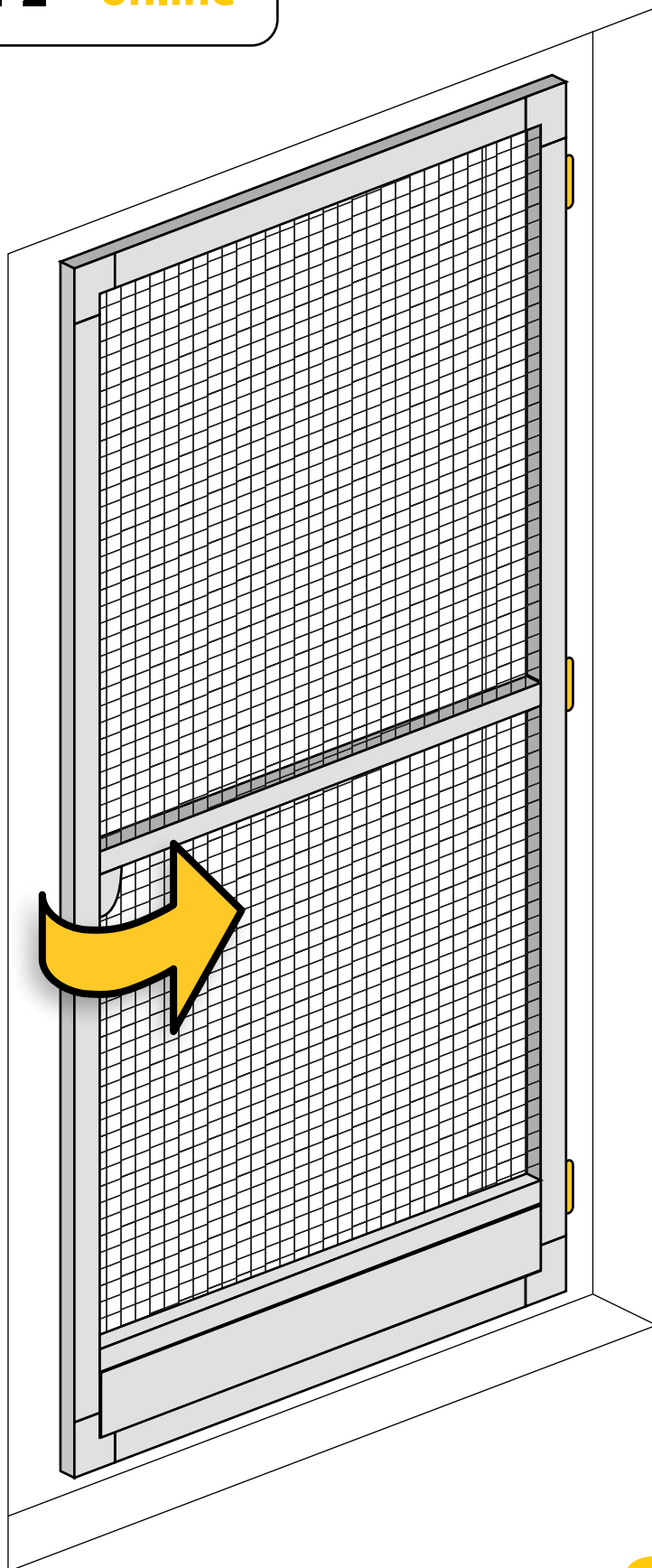


OPT 1



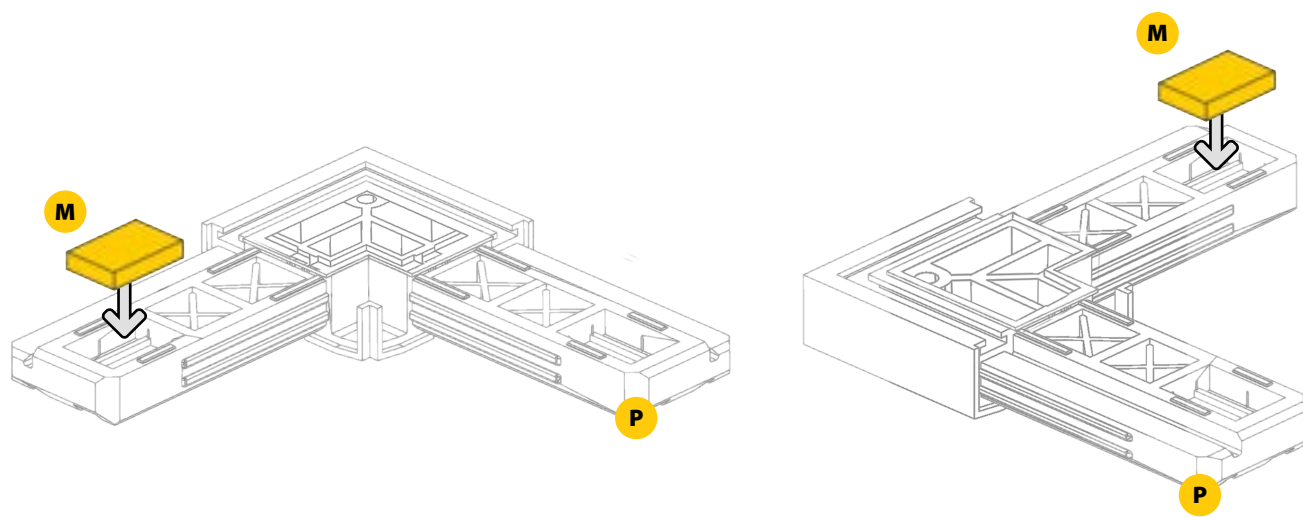


OPT 2 *online

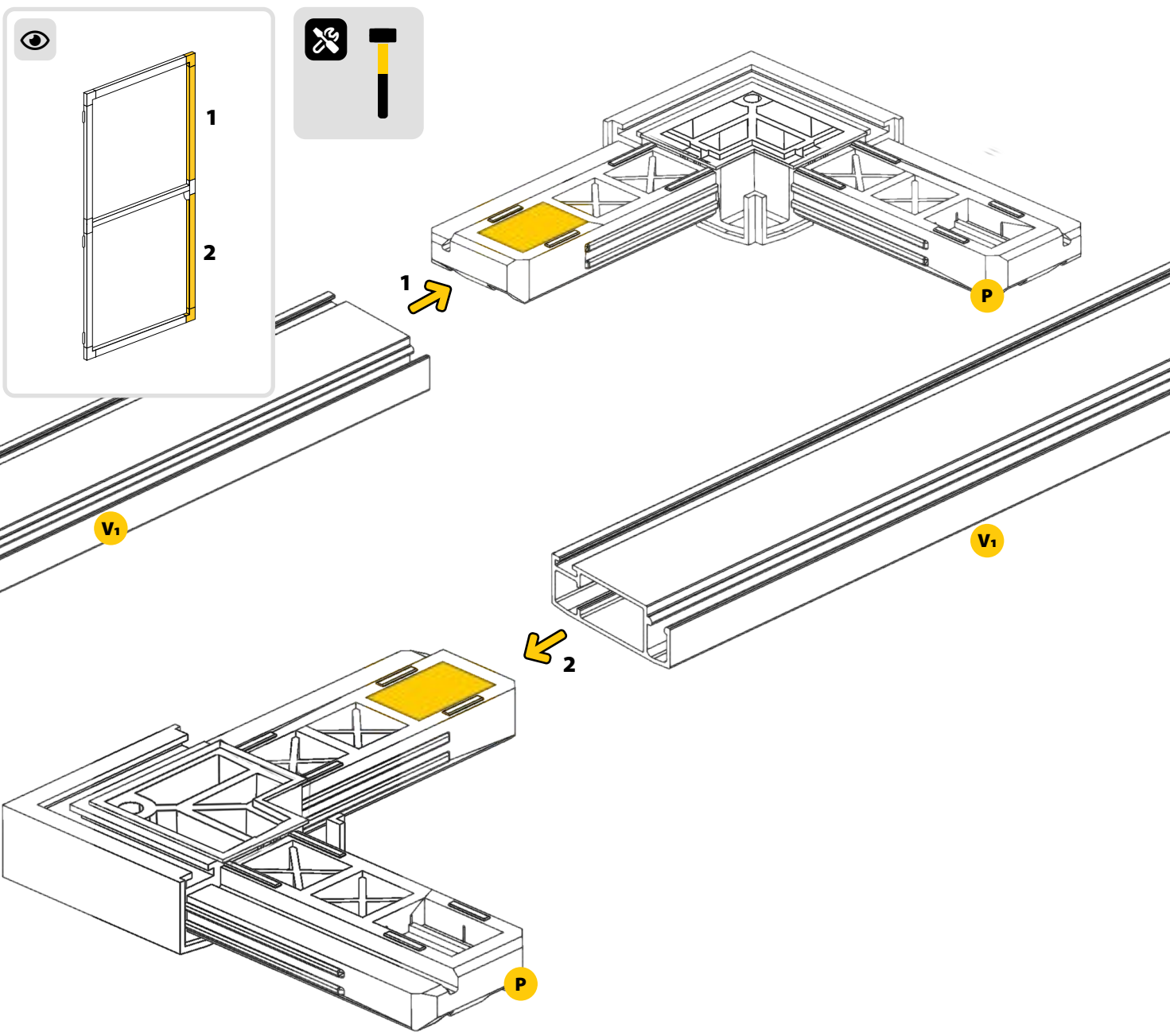


* www.schellenberg.de/mta-70093

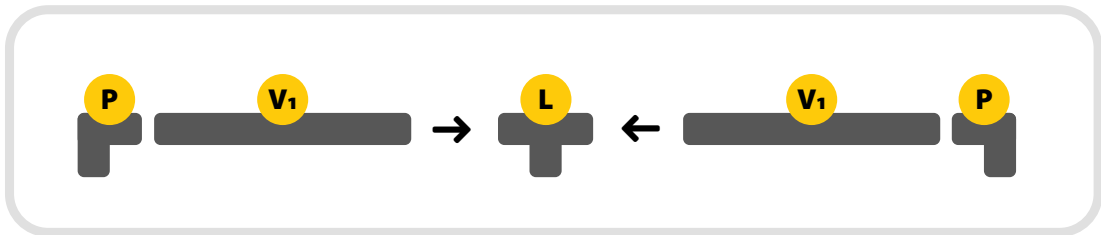
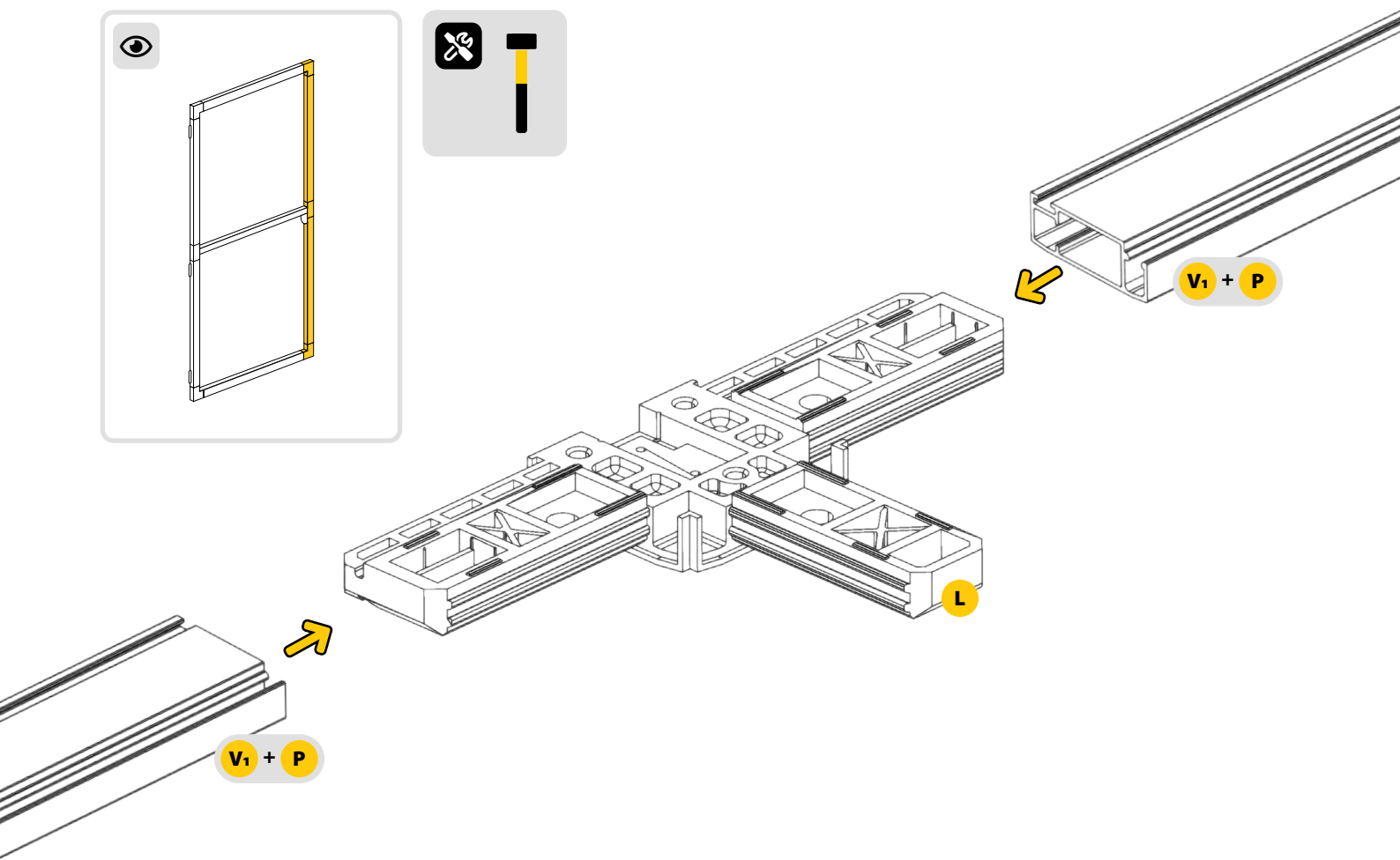
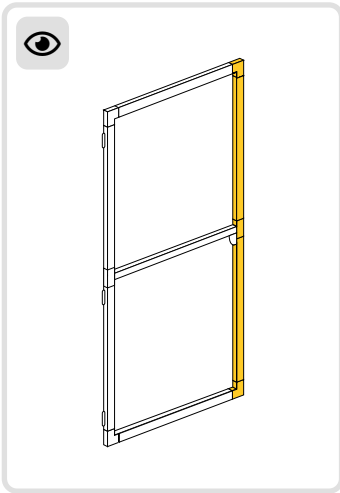
5 OPT 1



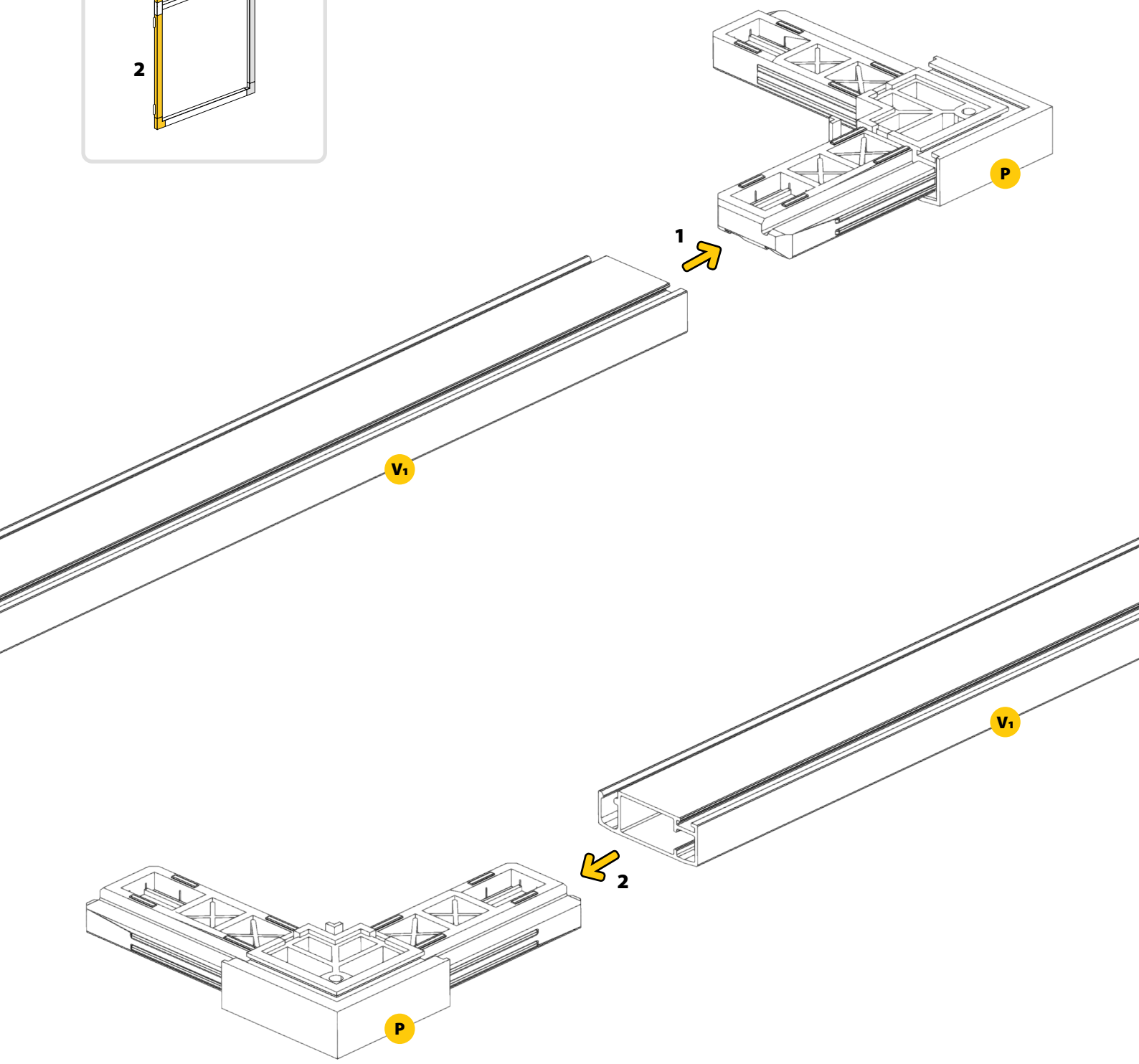
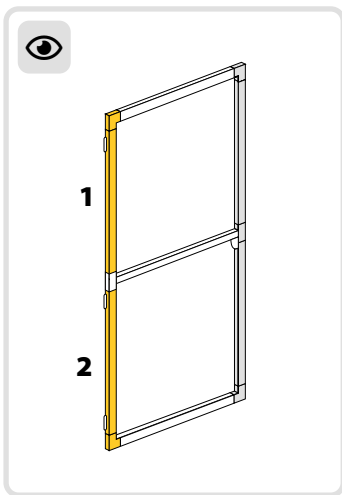
6 OPT 1



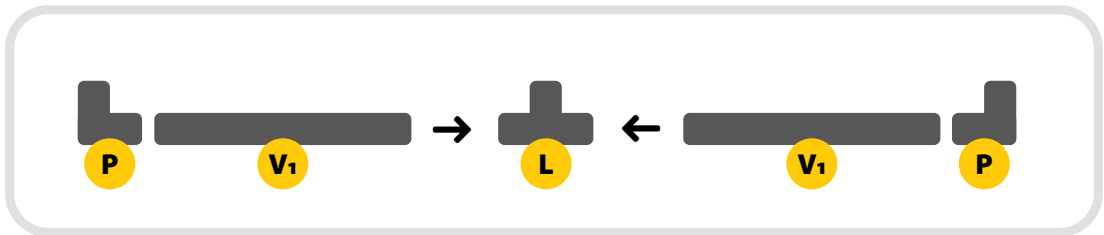
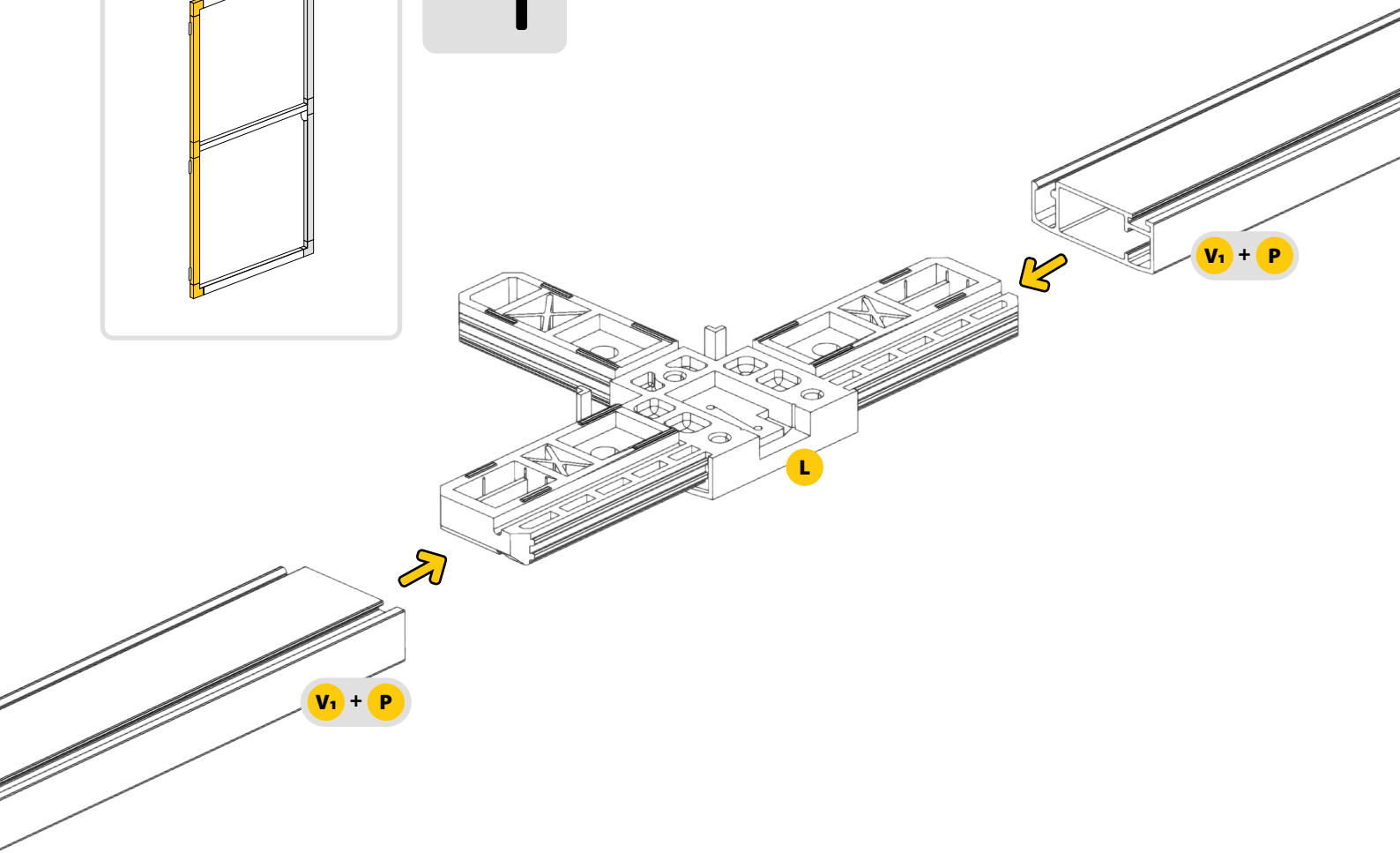
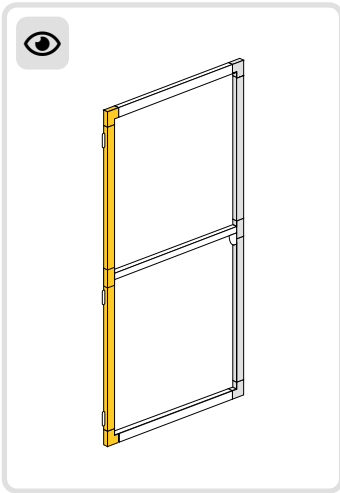
7 OPT 1



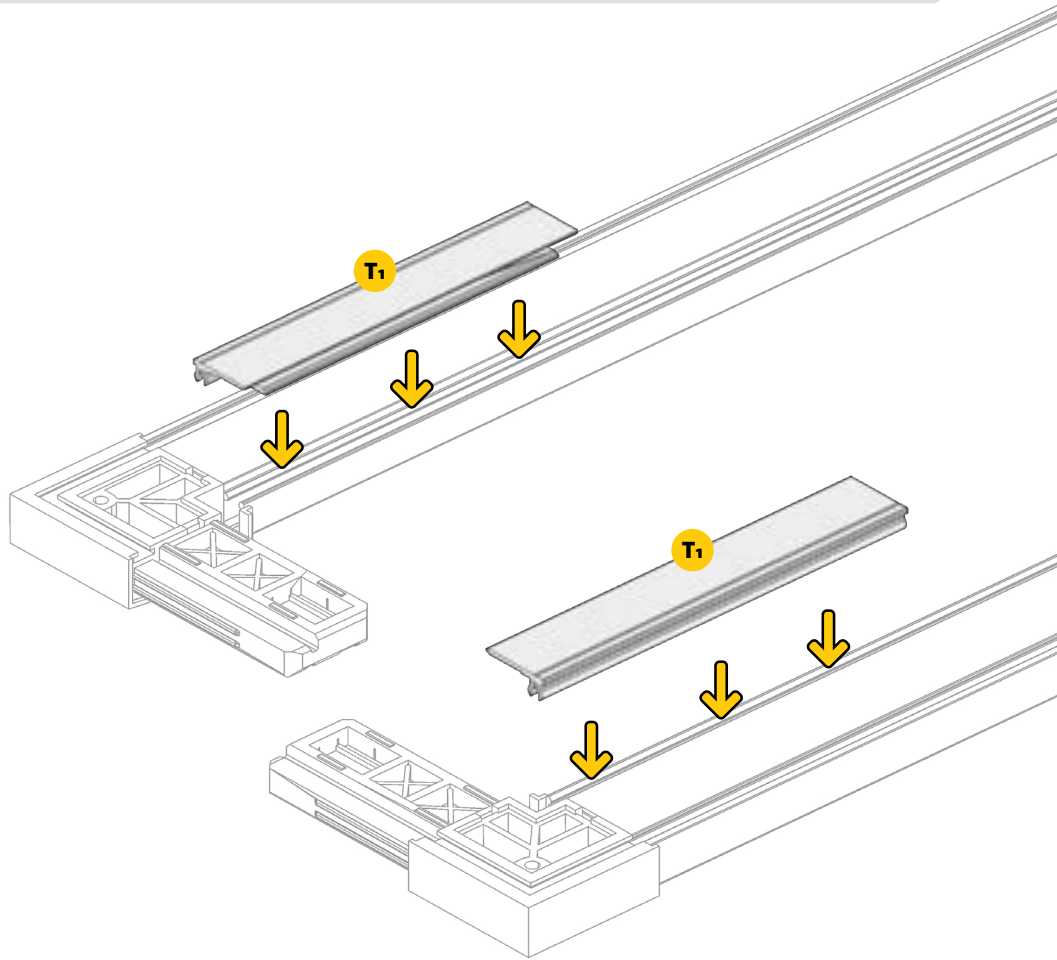
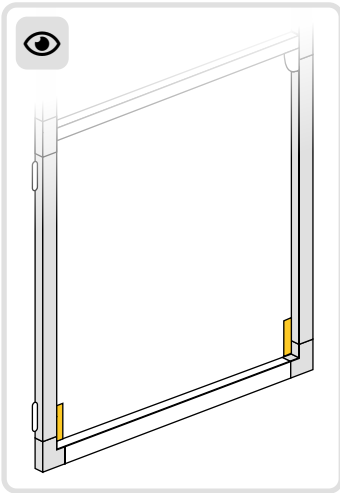
8 OPT 1



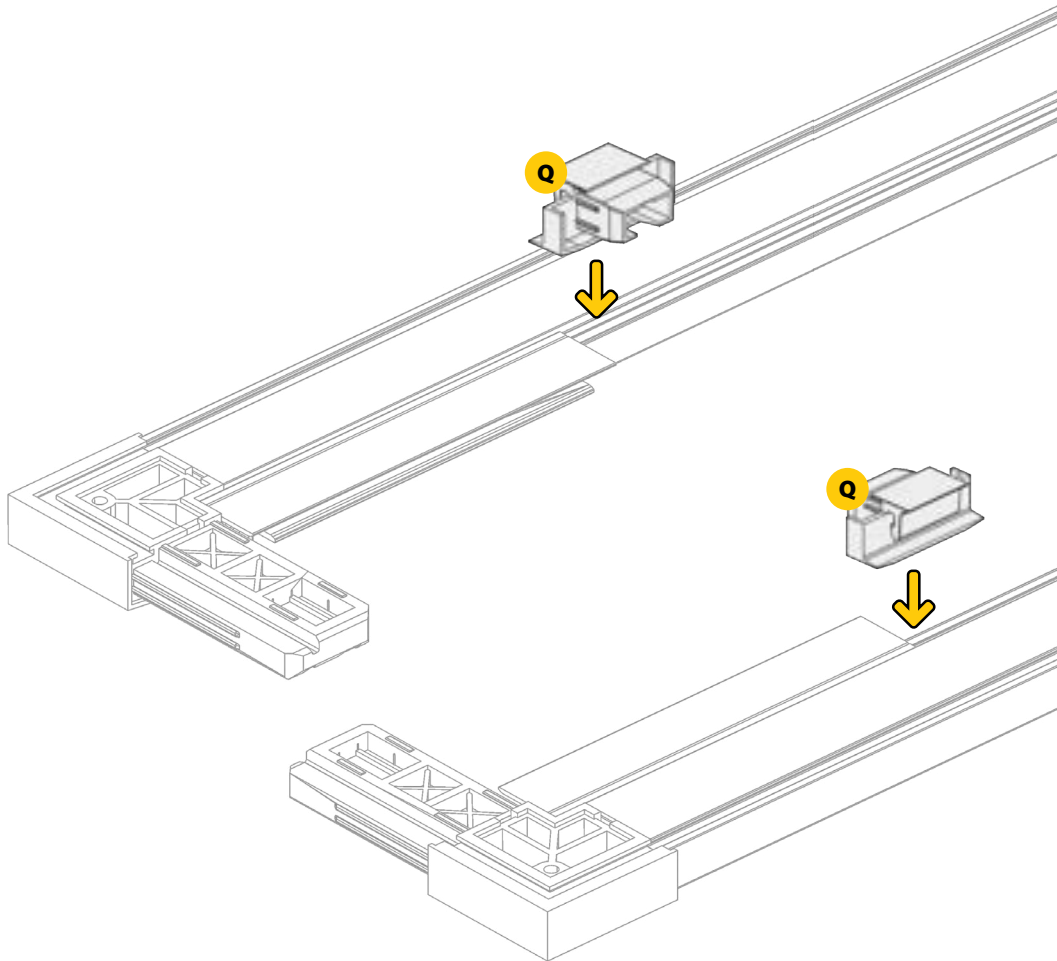
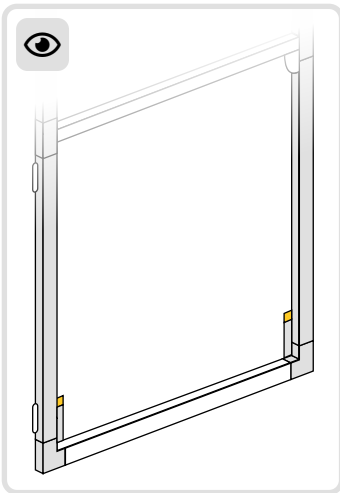
9 OPT 1



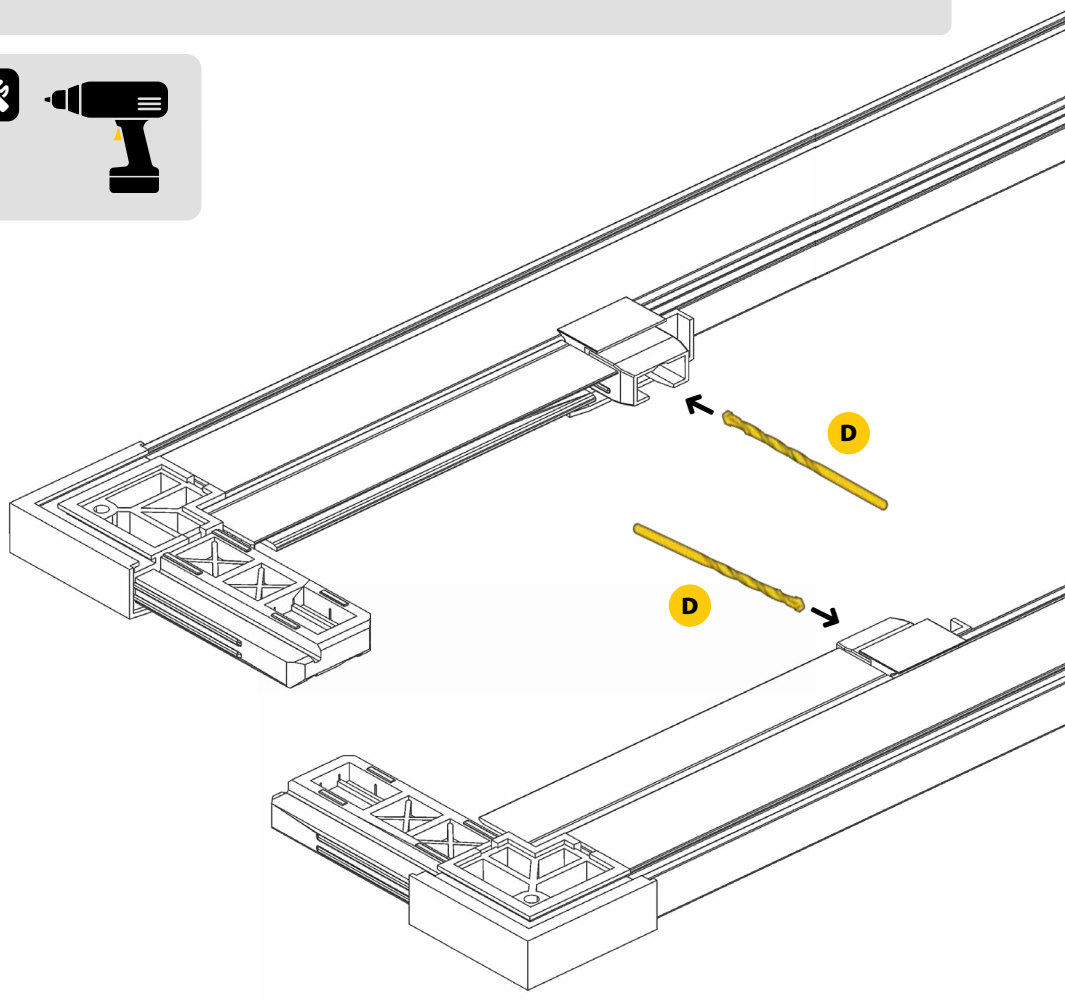
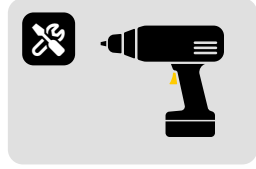
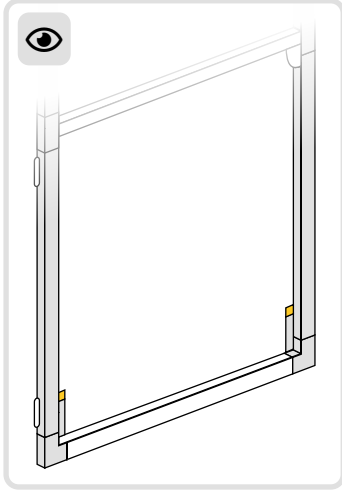
10 OPT 1



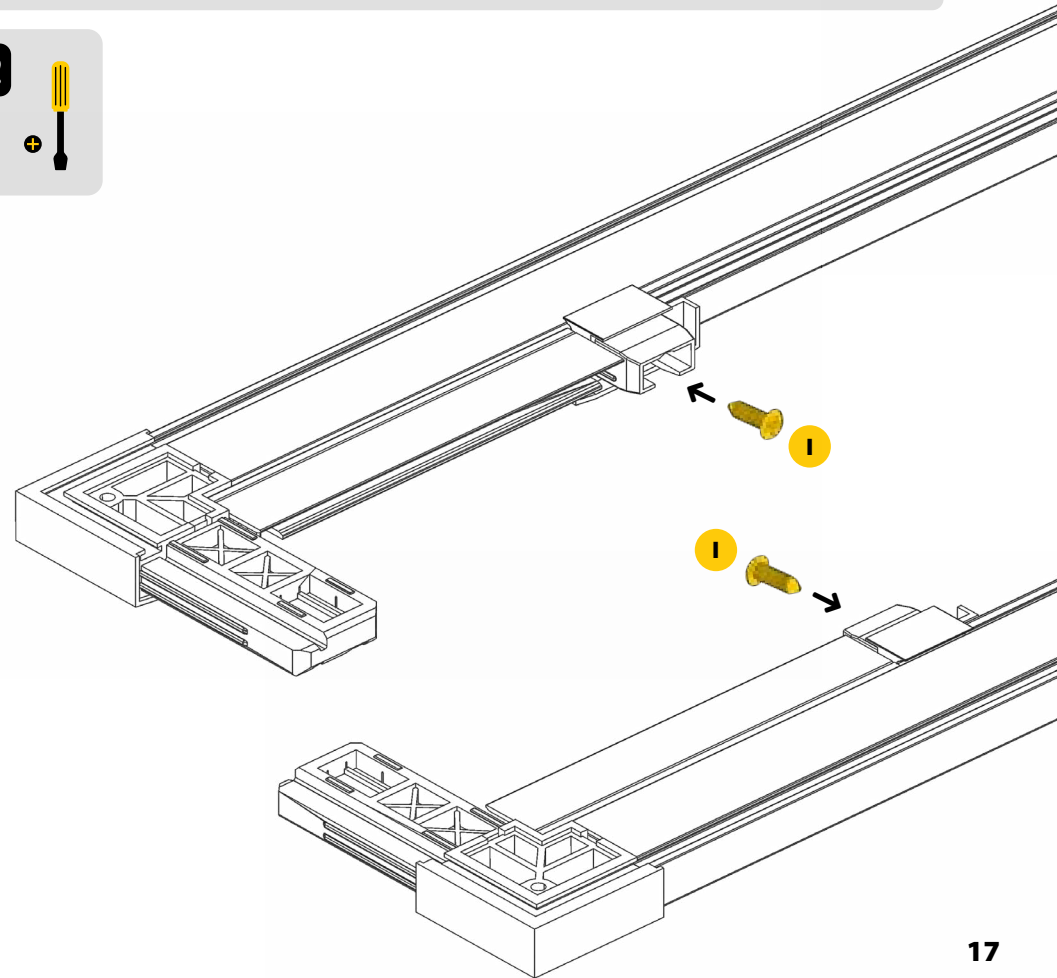
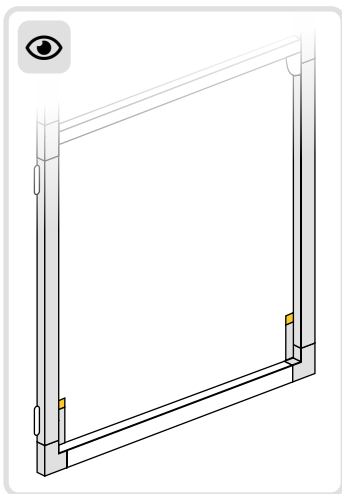
11 OPT 1

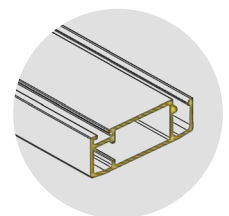
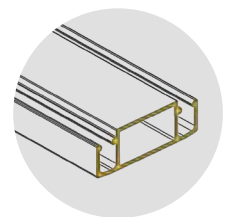
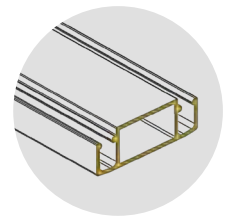
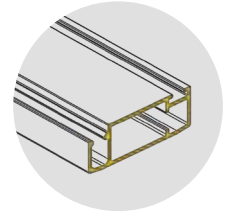
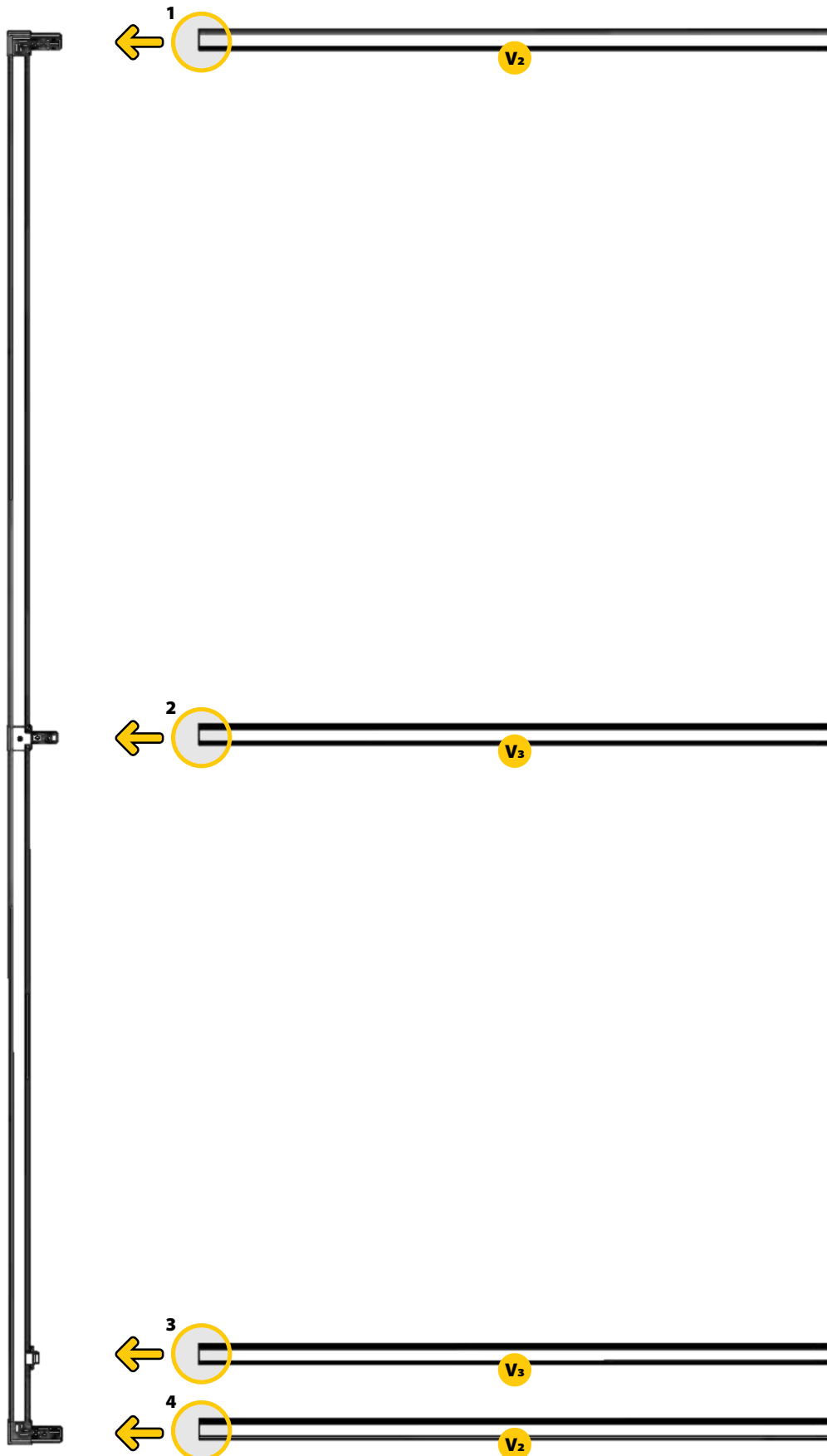


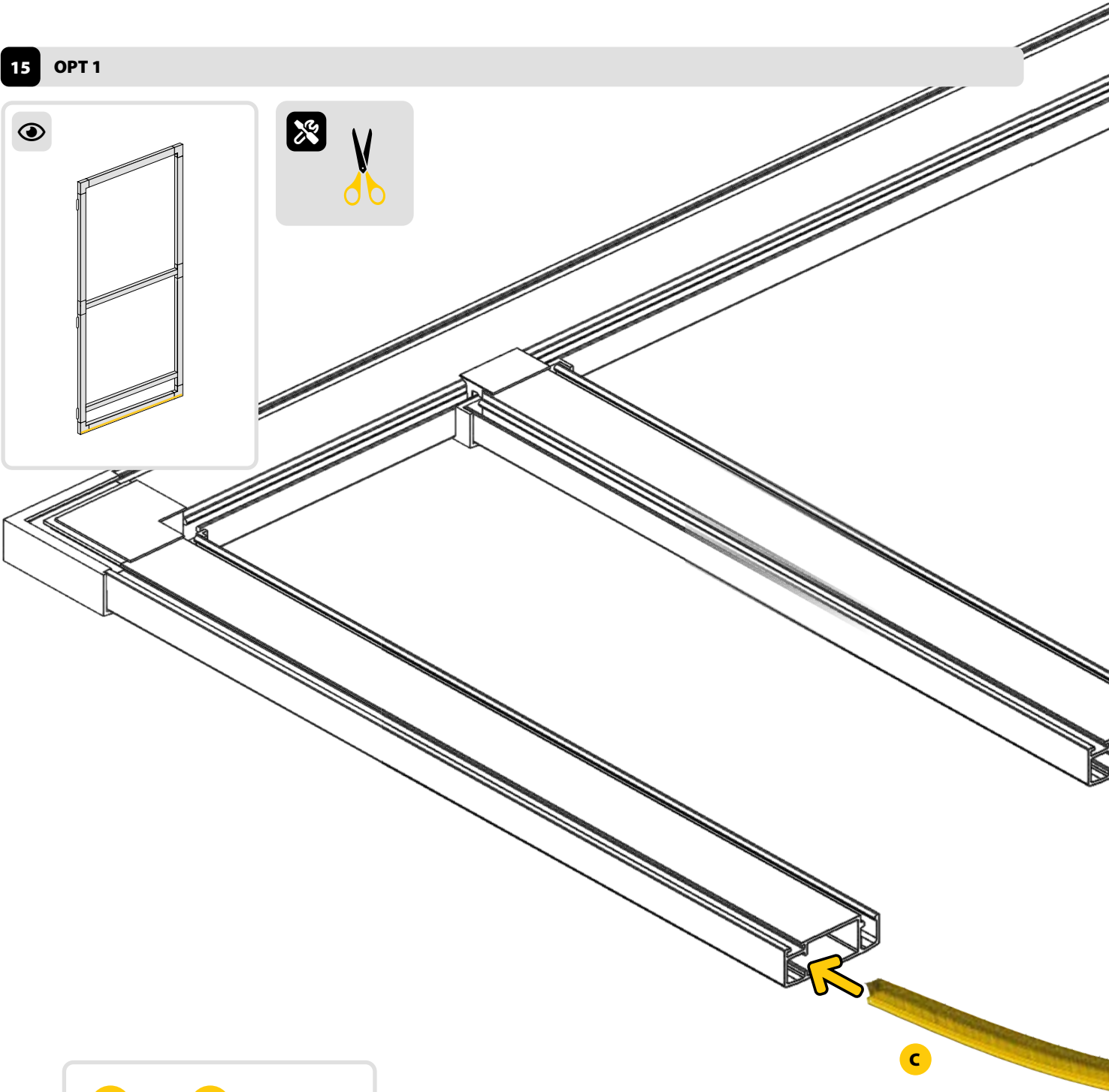
12 OPT 1



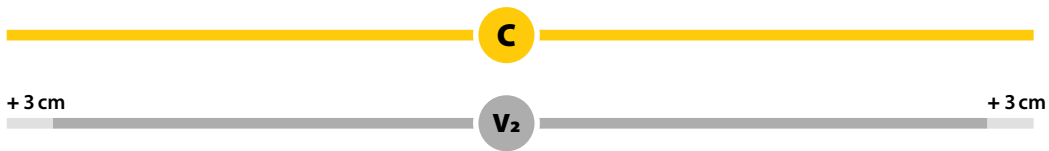
13 OPT 1

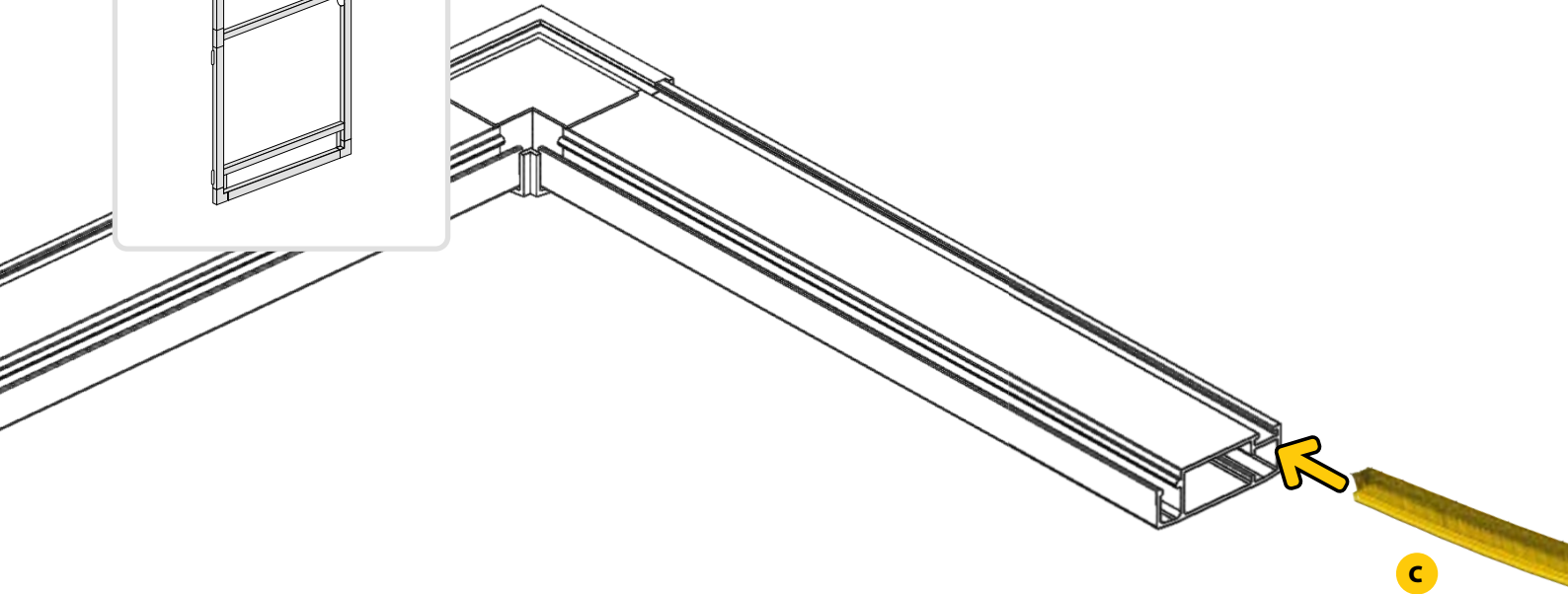




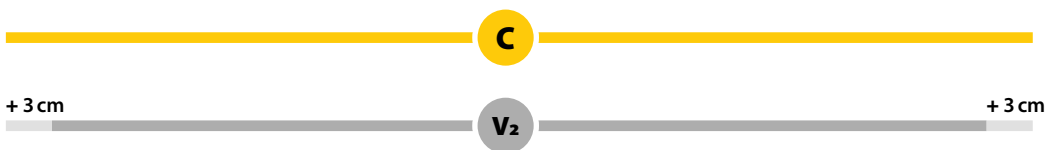


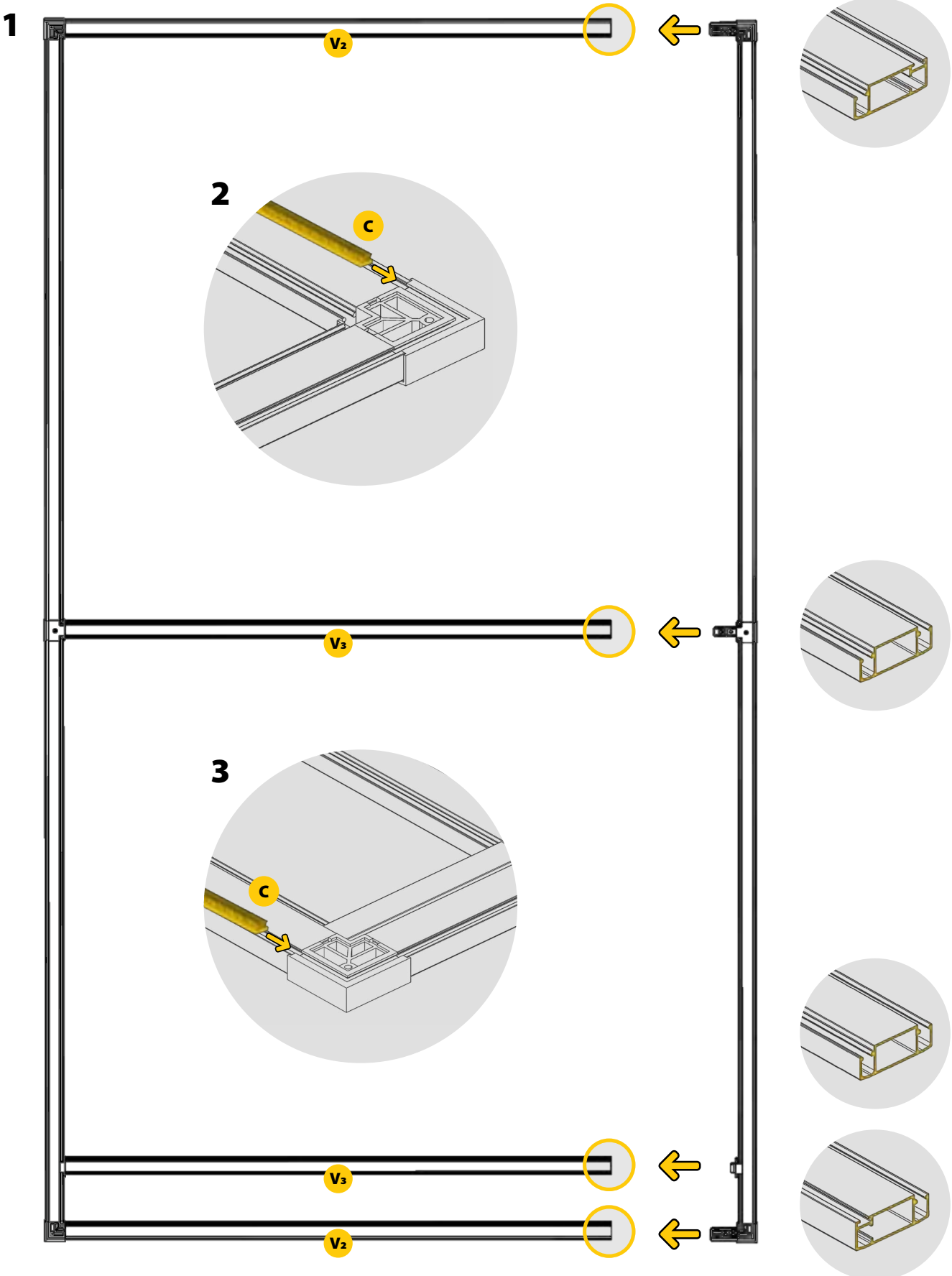
$$c = v_2 + 6 \text{ cm}$$



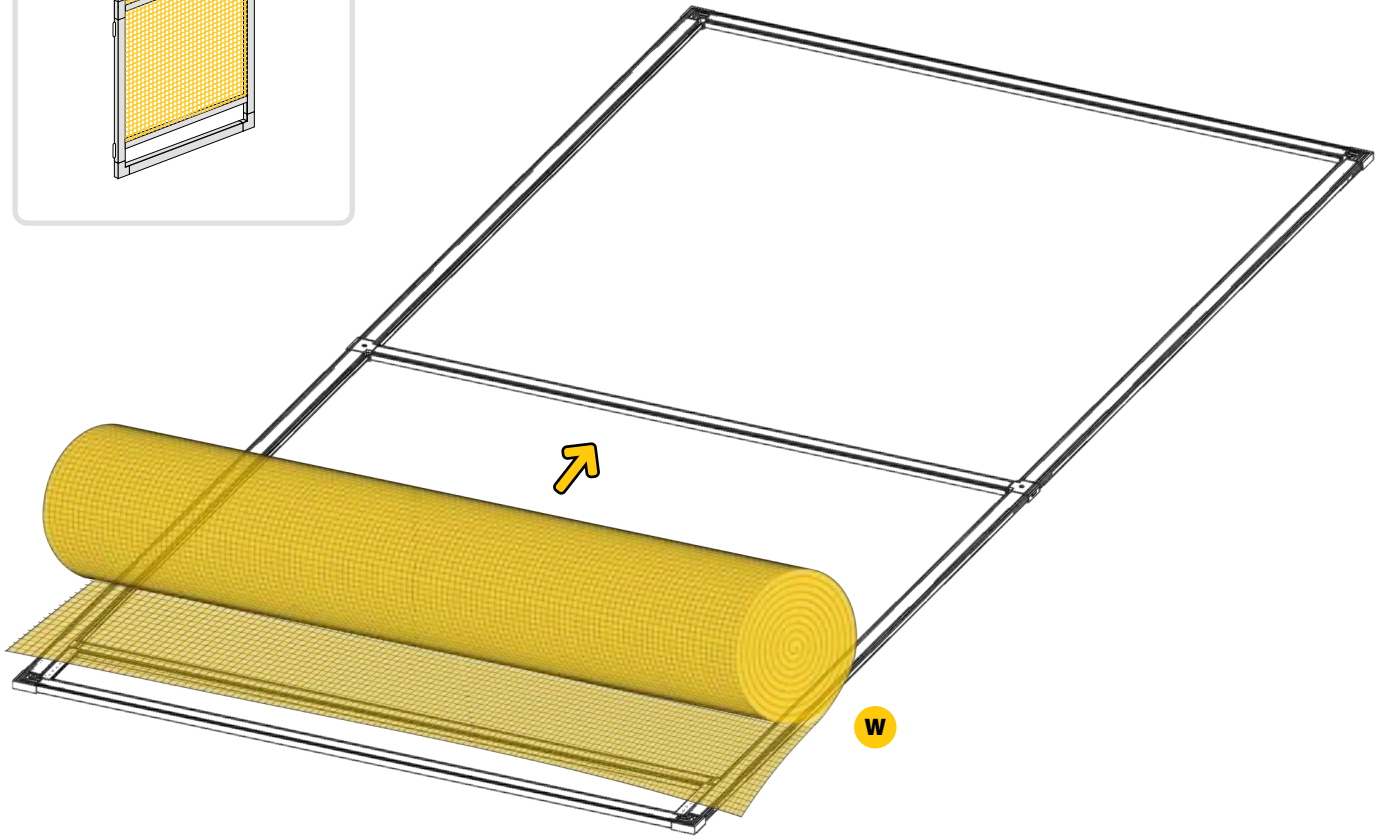
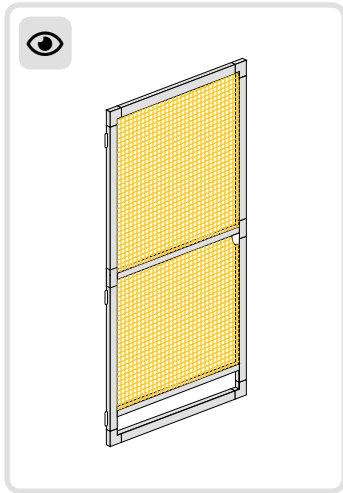


$$c = v_2 + 6 \text{ cm}$$

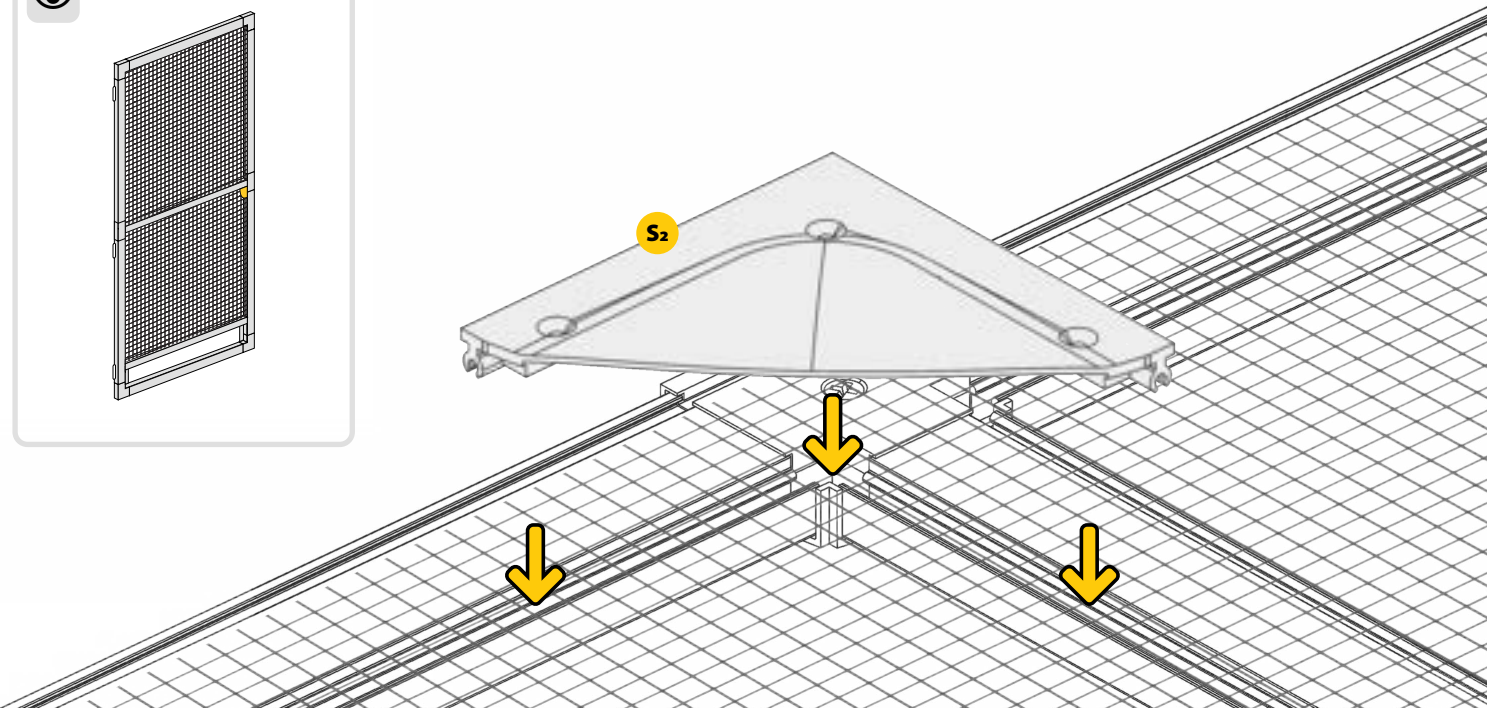
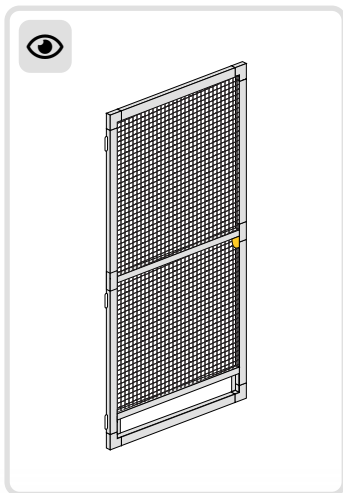


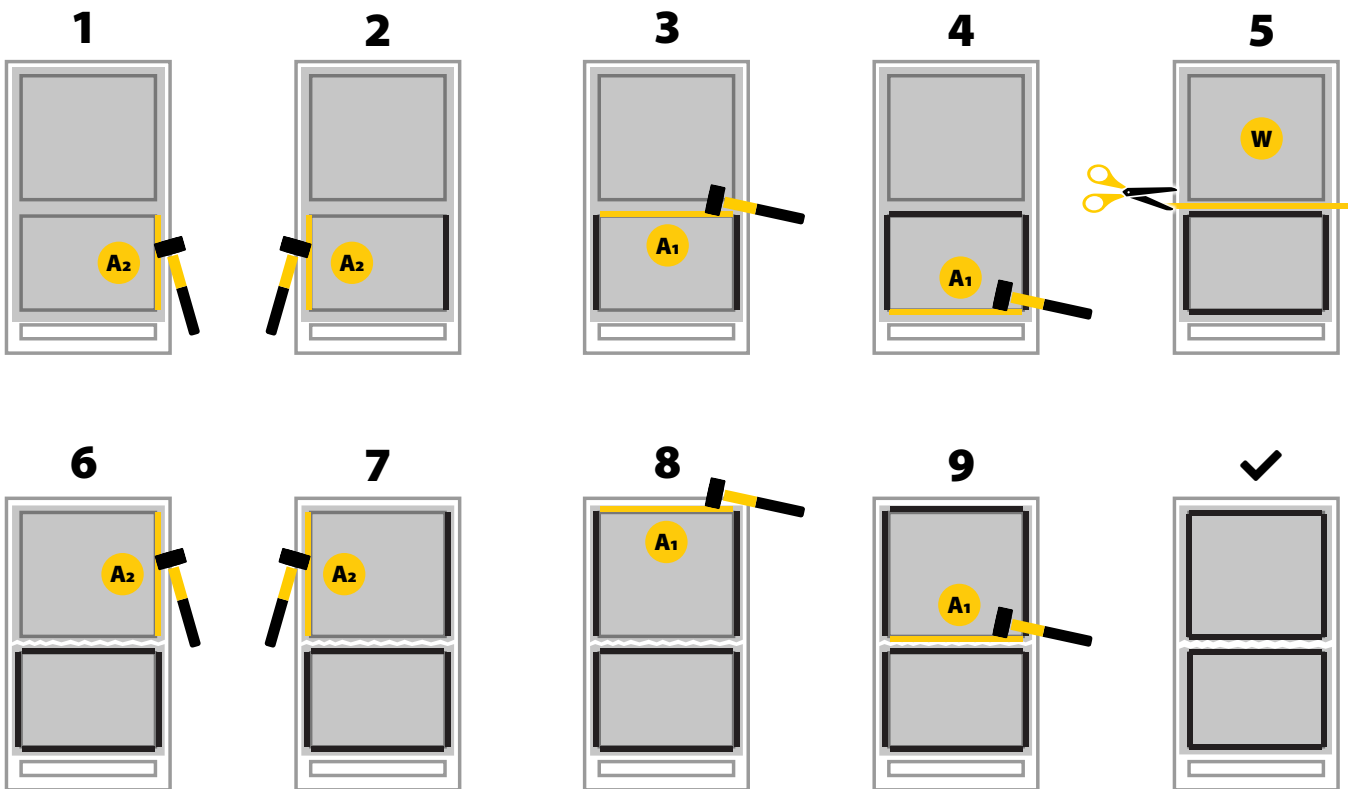
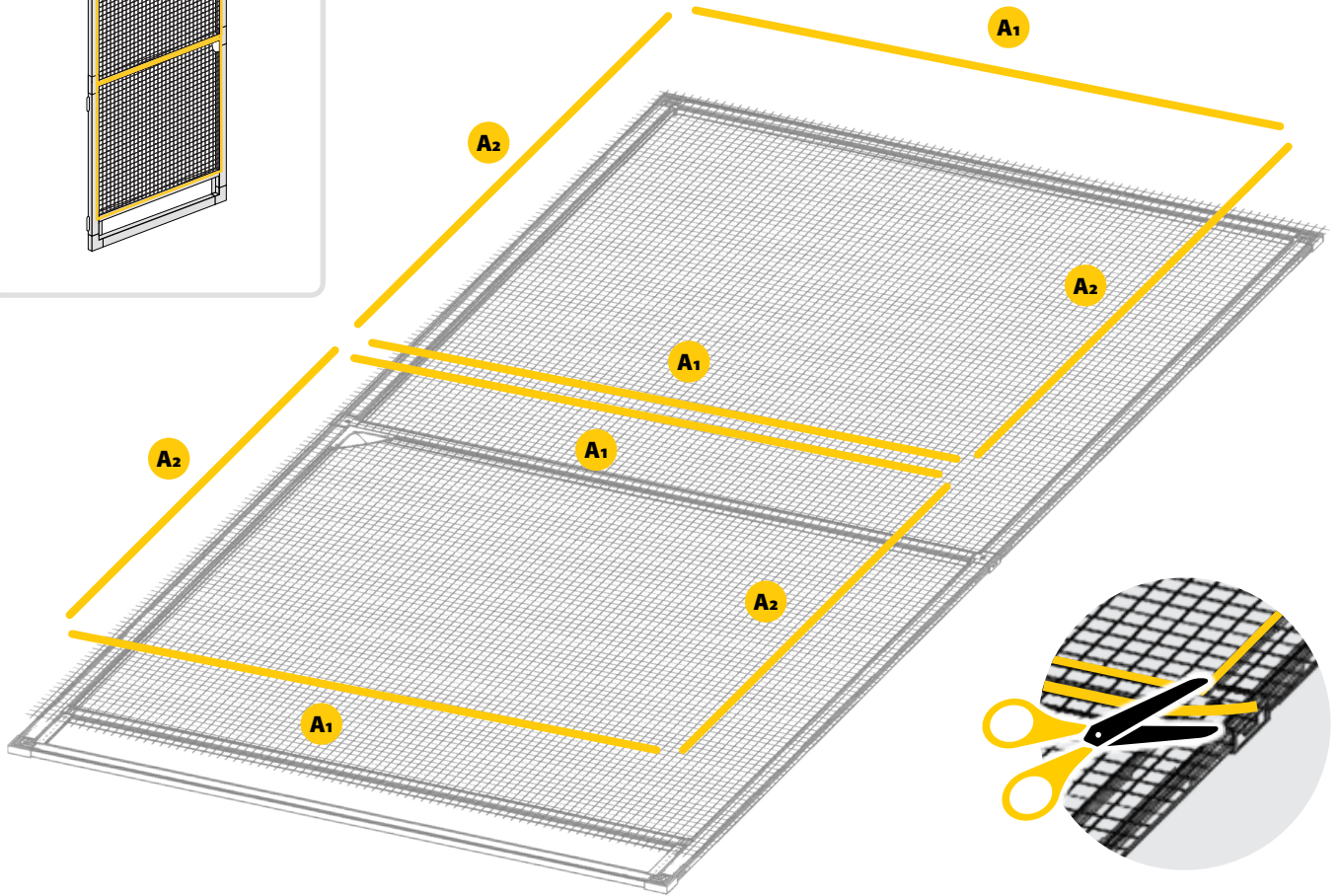
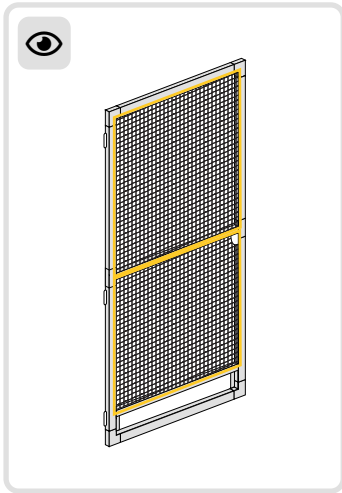


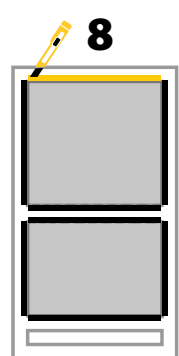
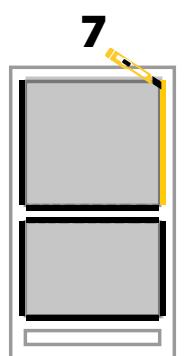
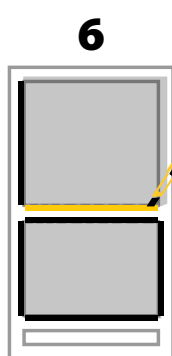
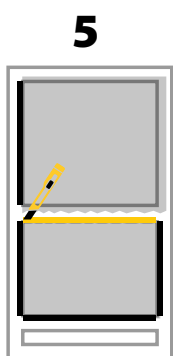
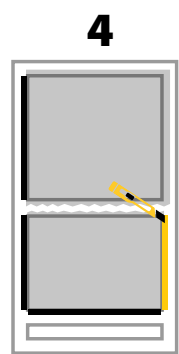
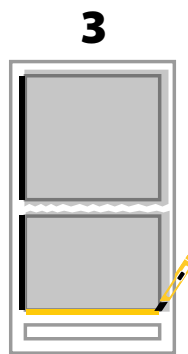
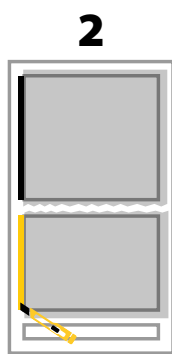
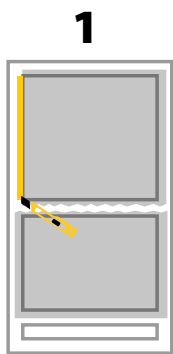
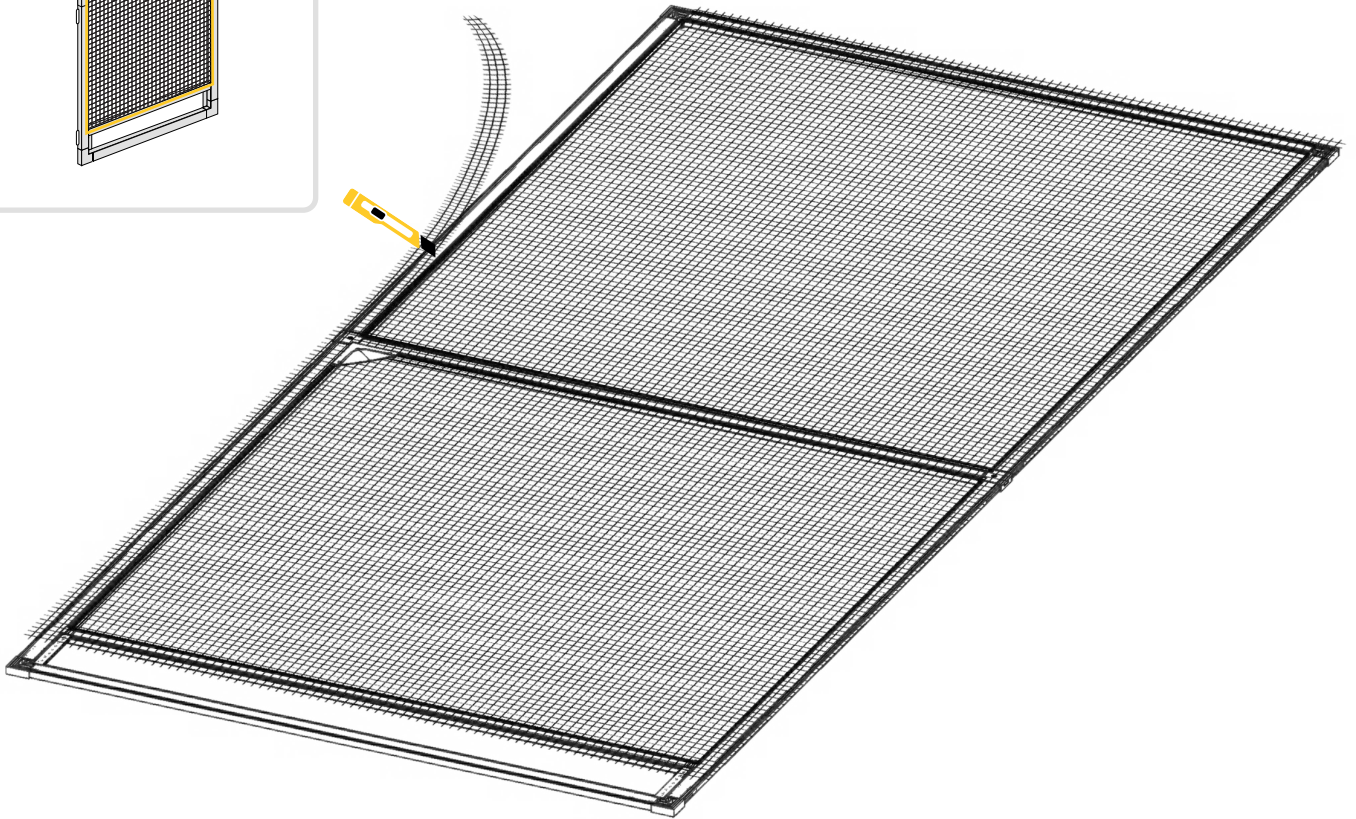
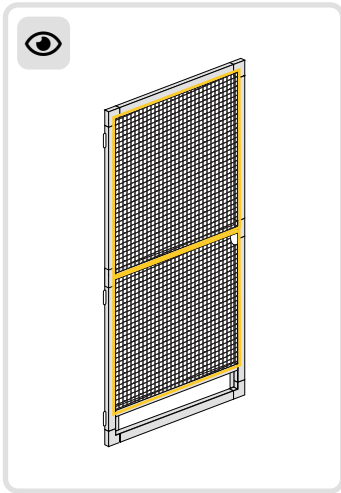
18 OPT 1

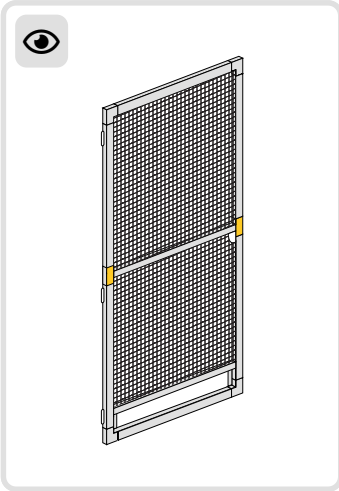


19 OPT 1

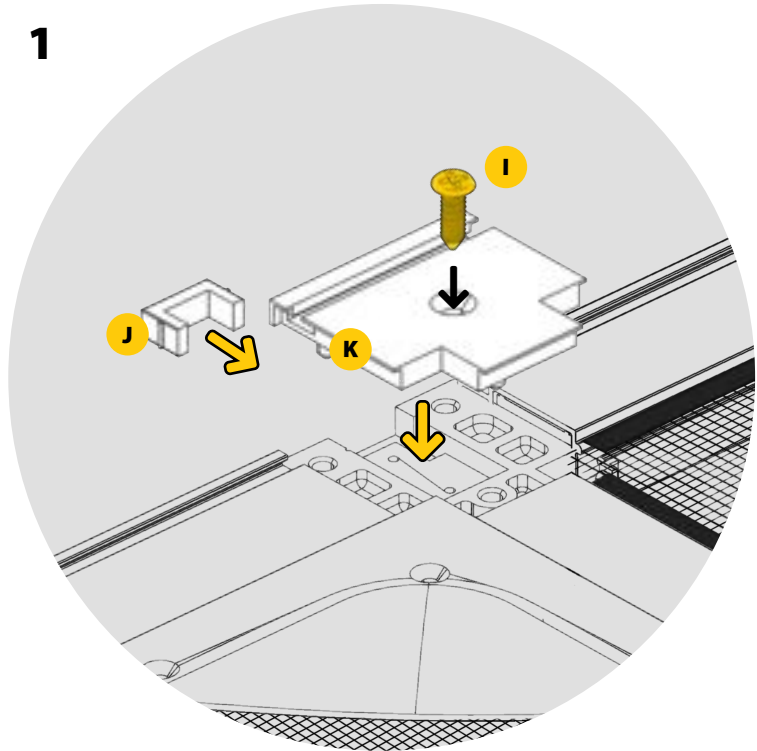




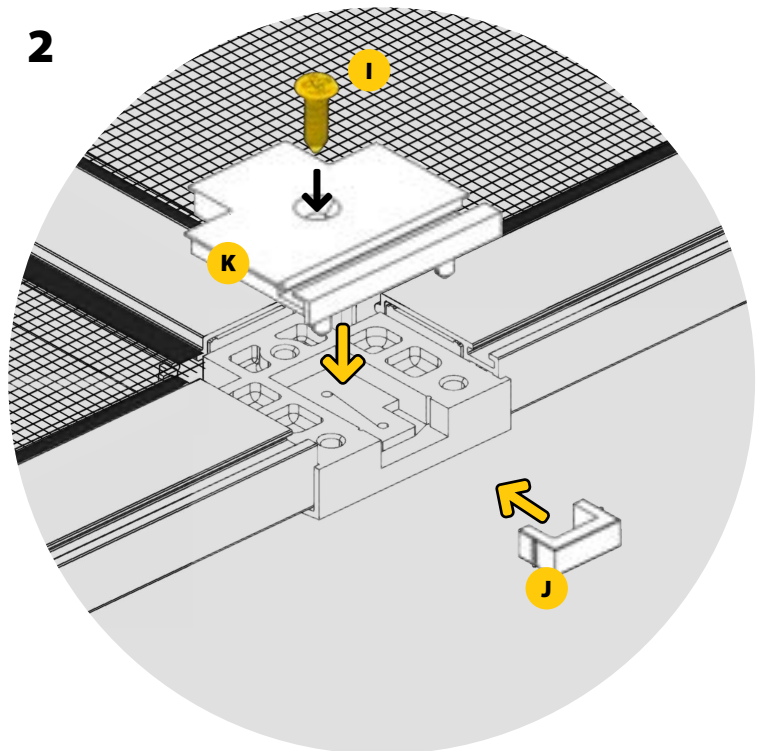




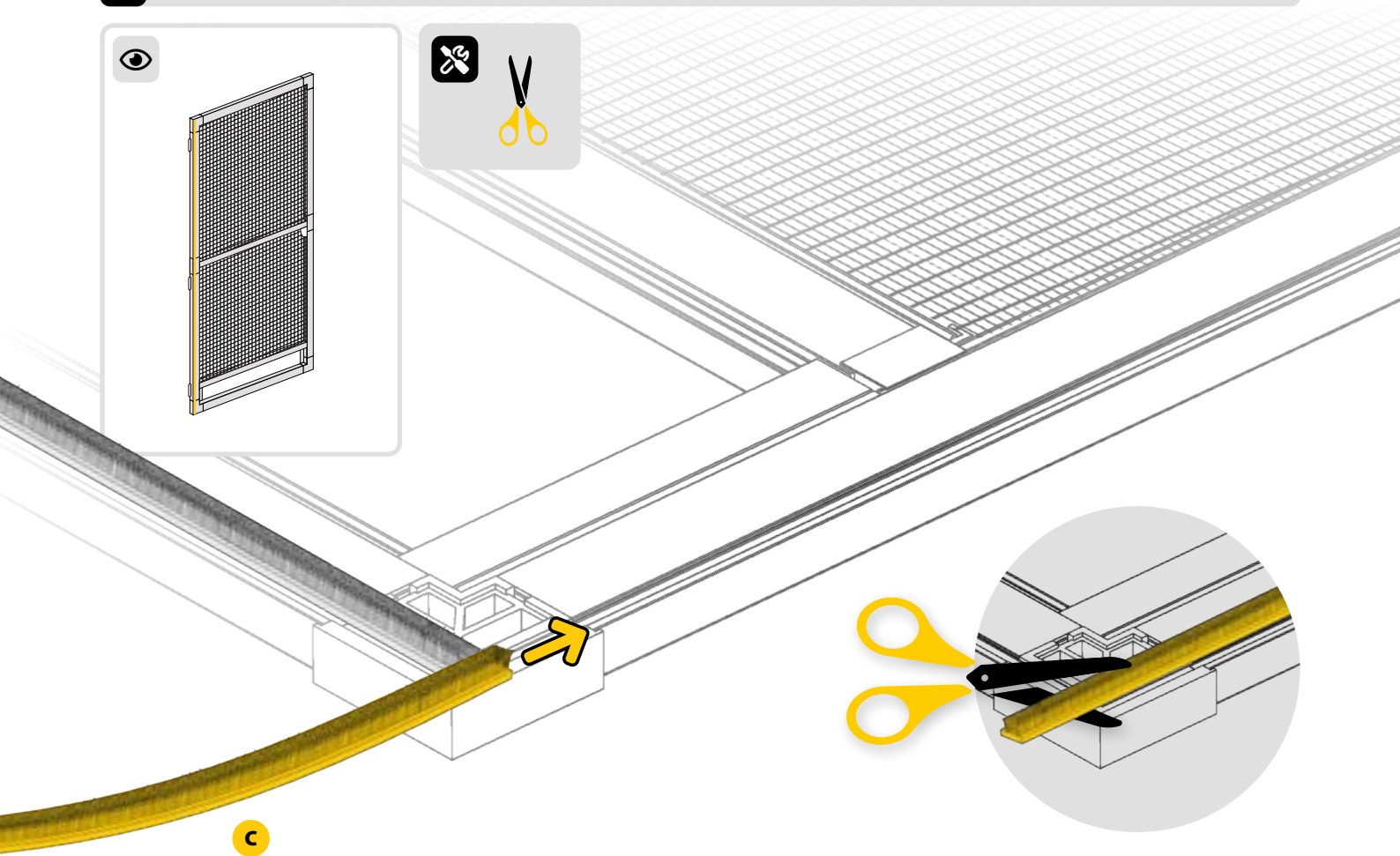
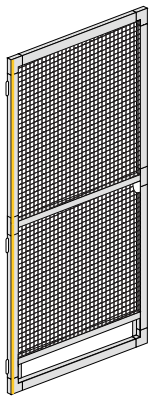
1



2

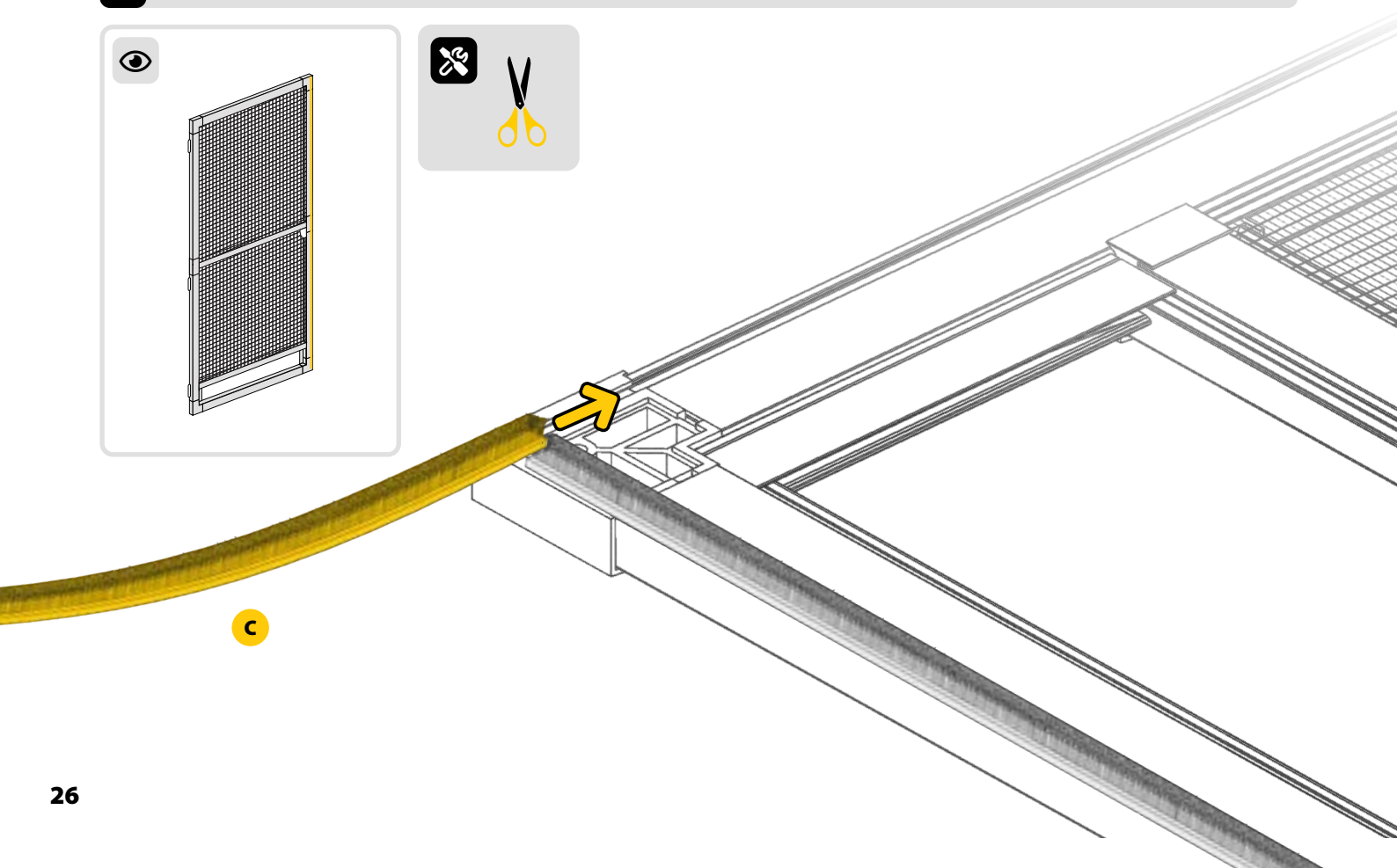
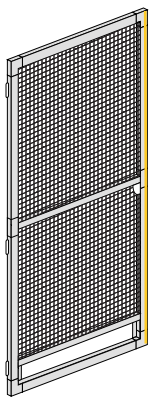


23 OPT 1

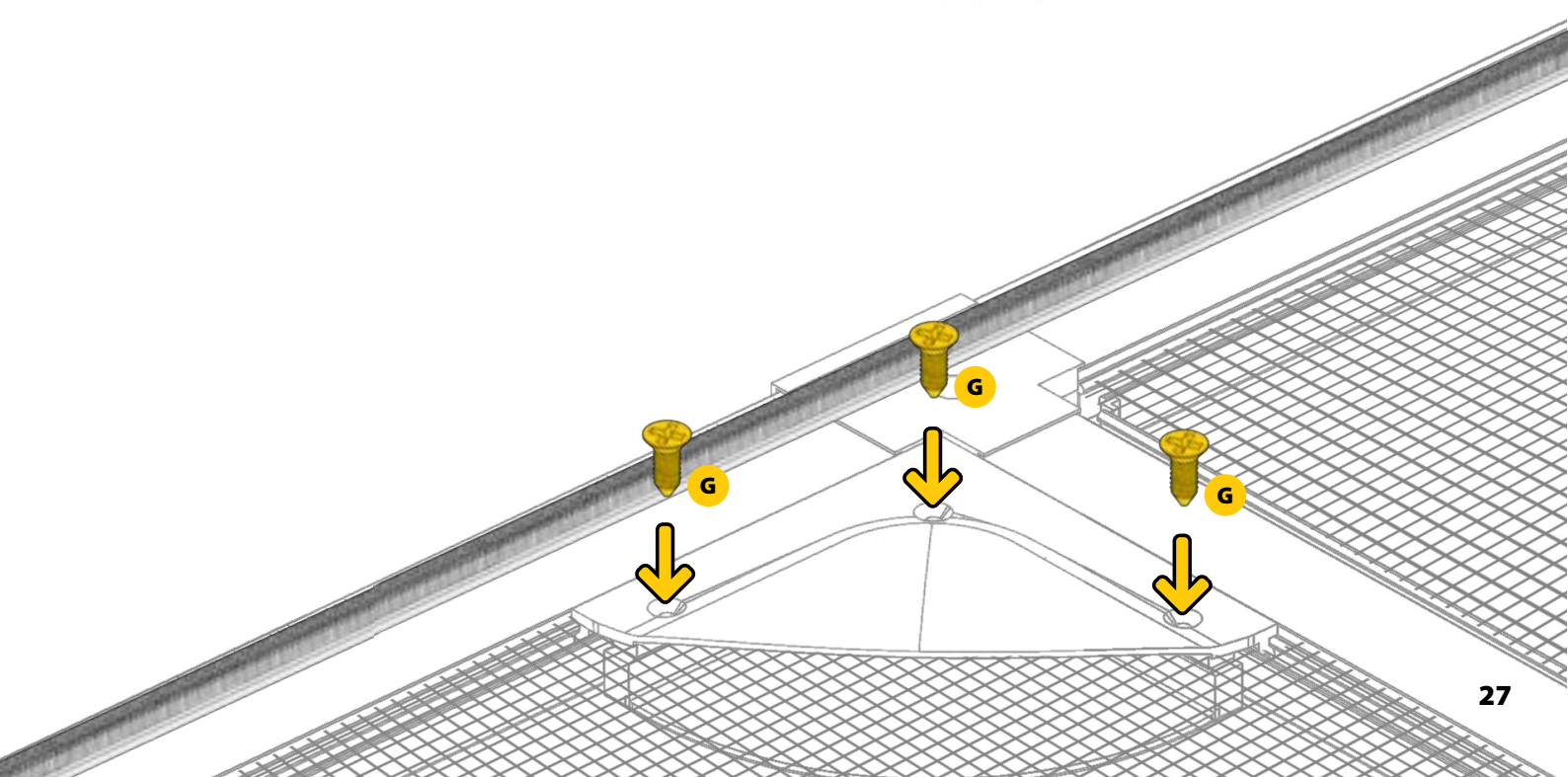
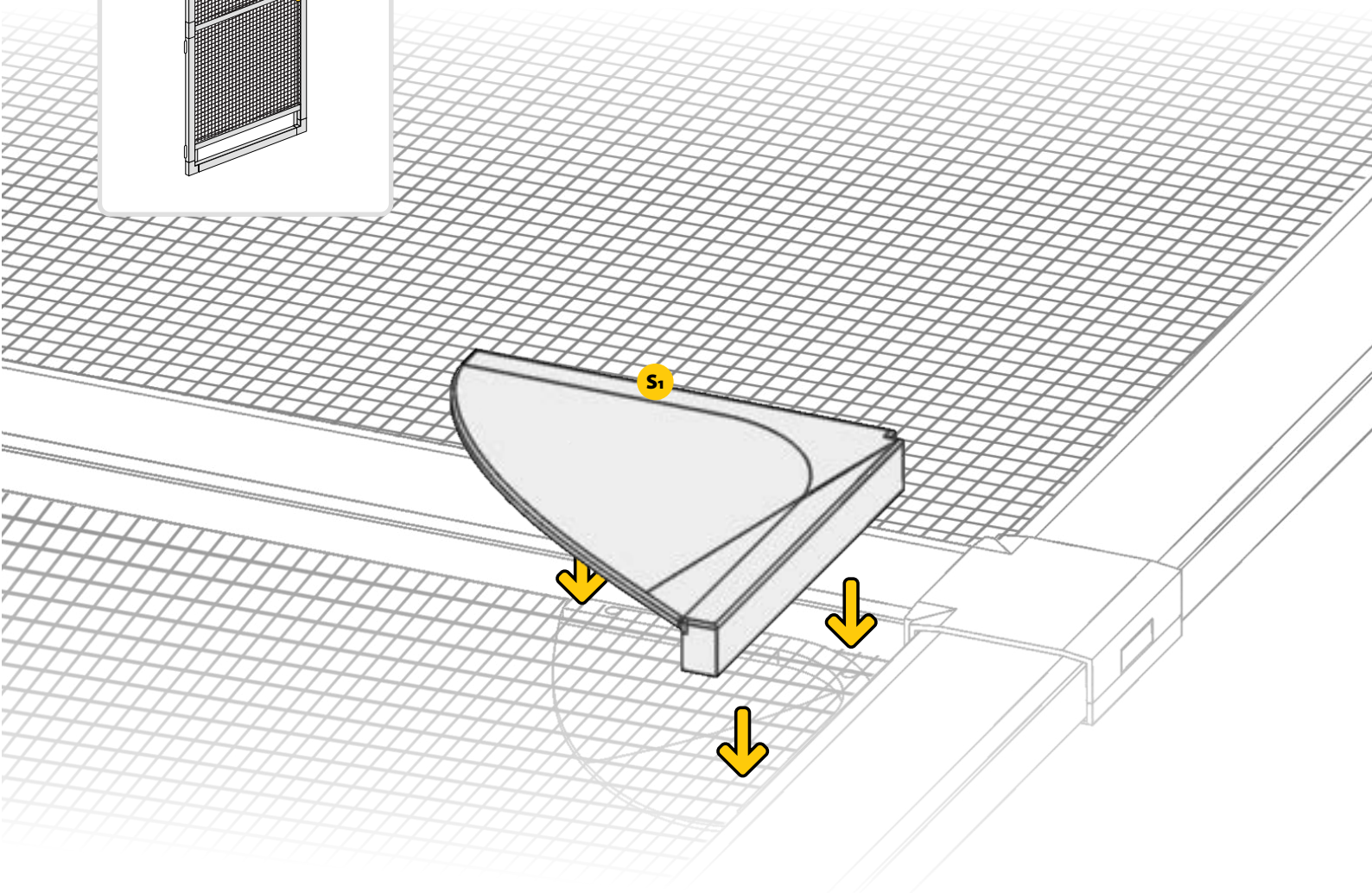
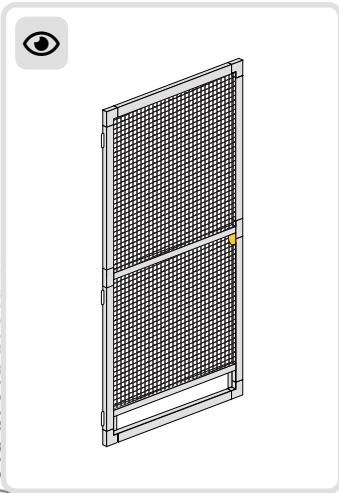


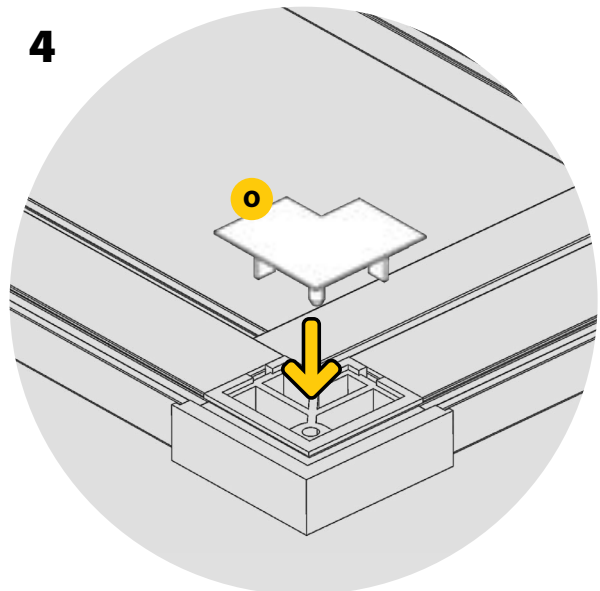
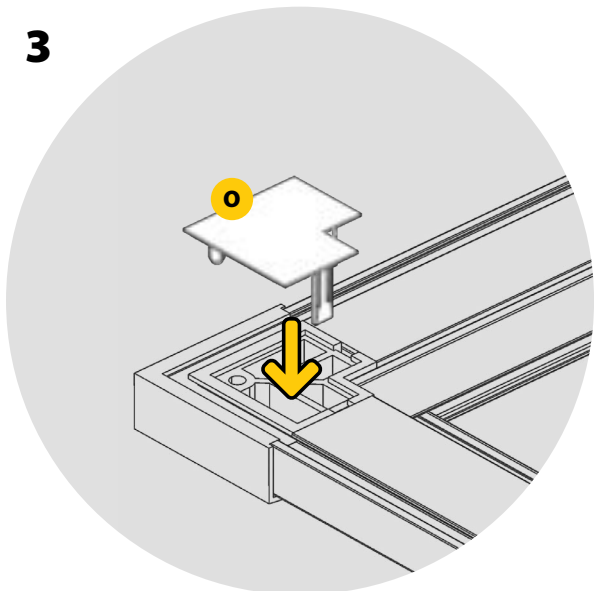
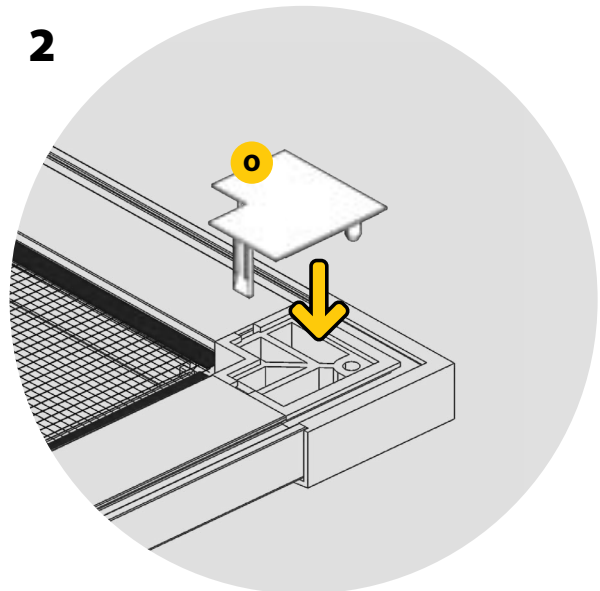
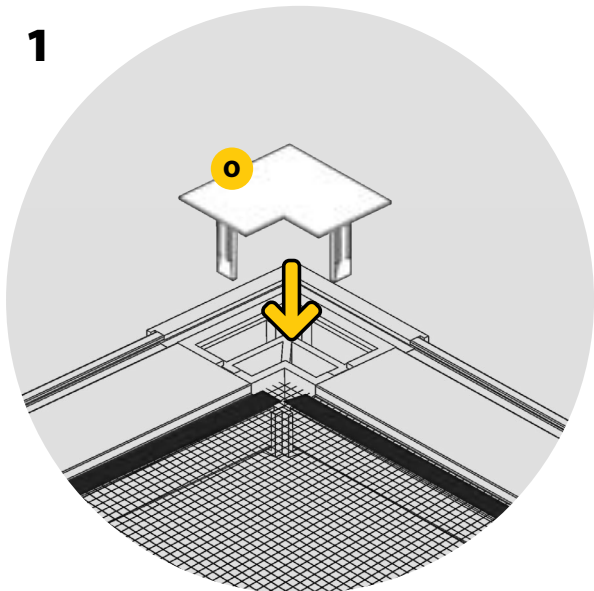
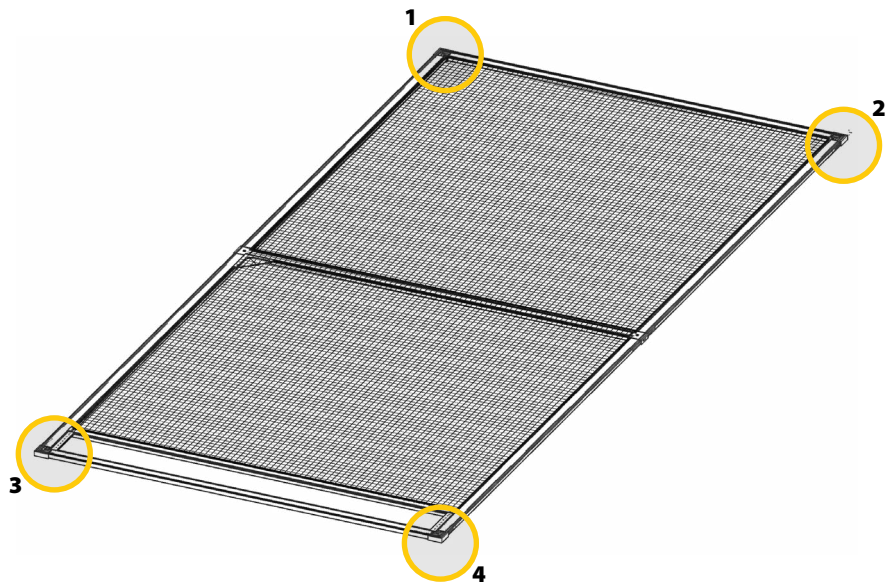
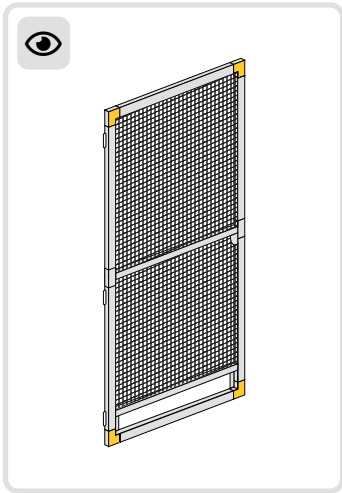
C

24 OPT 1

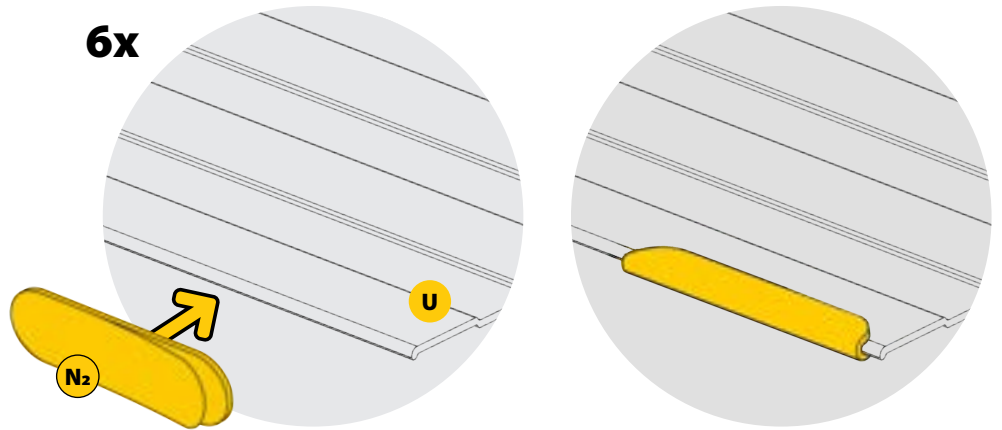
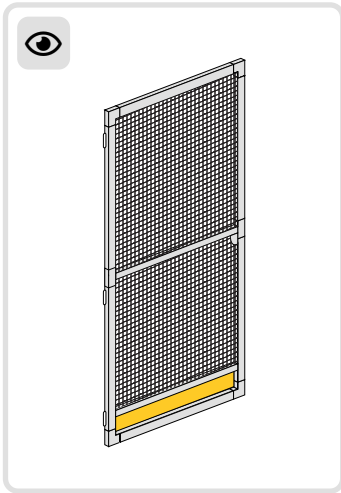


C

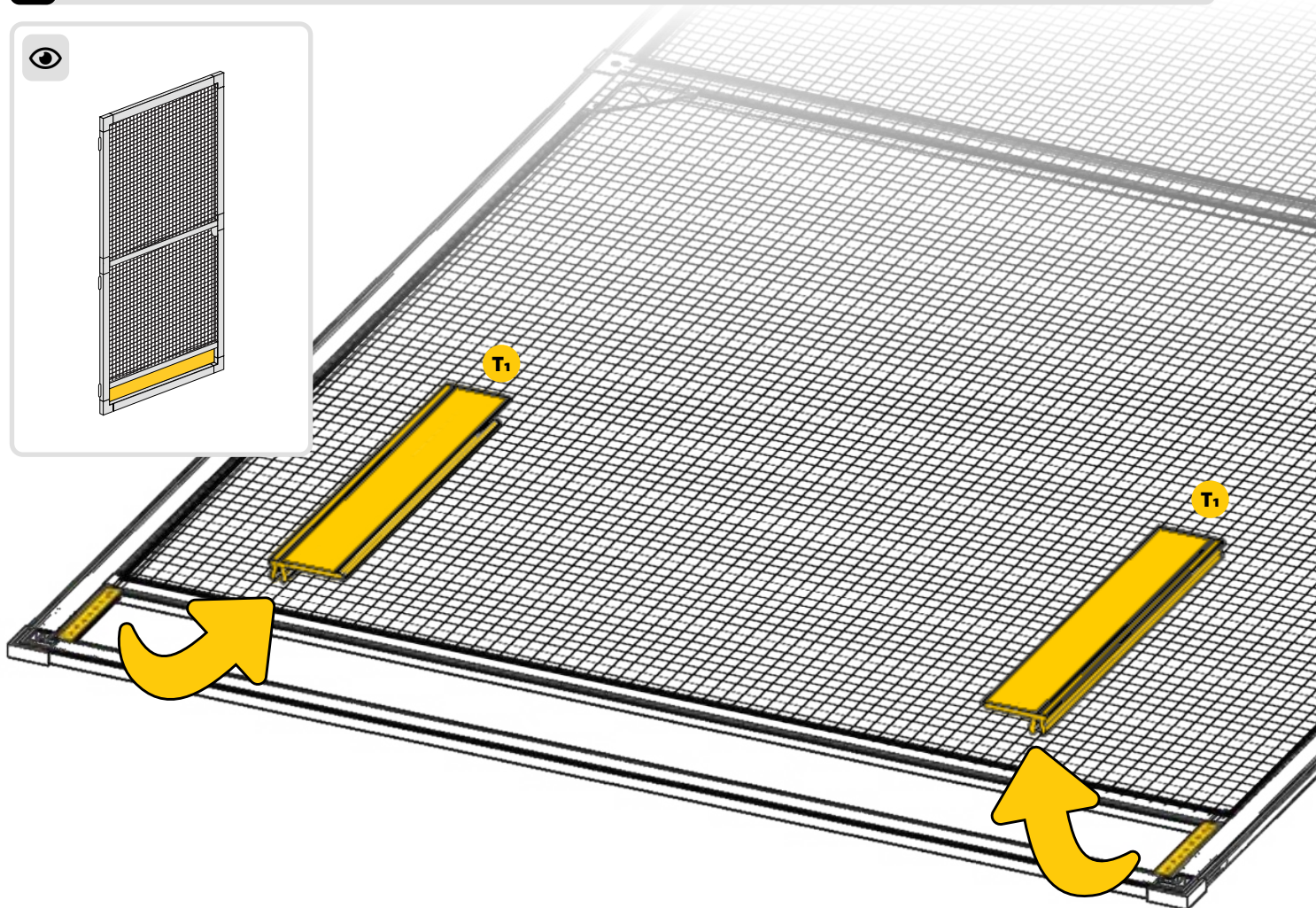
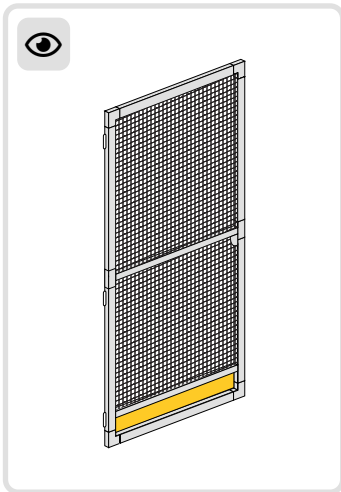


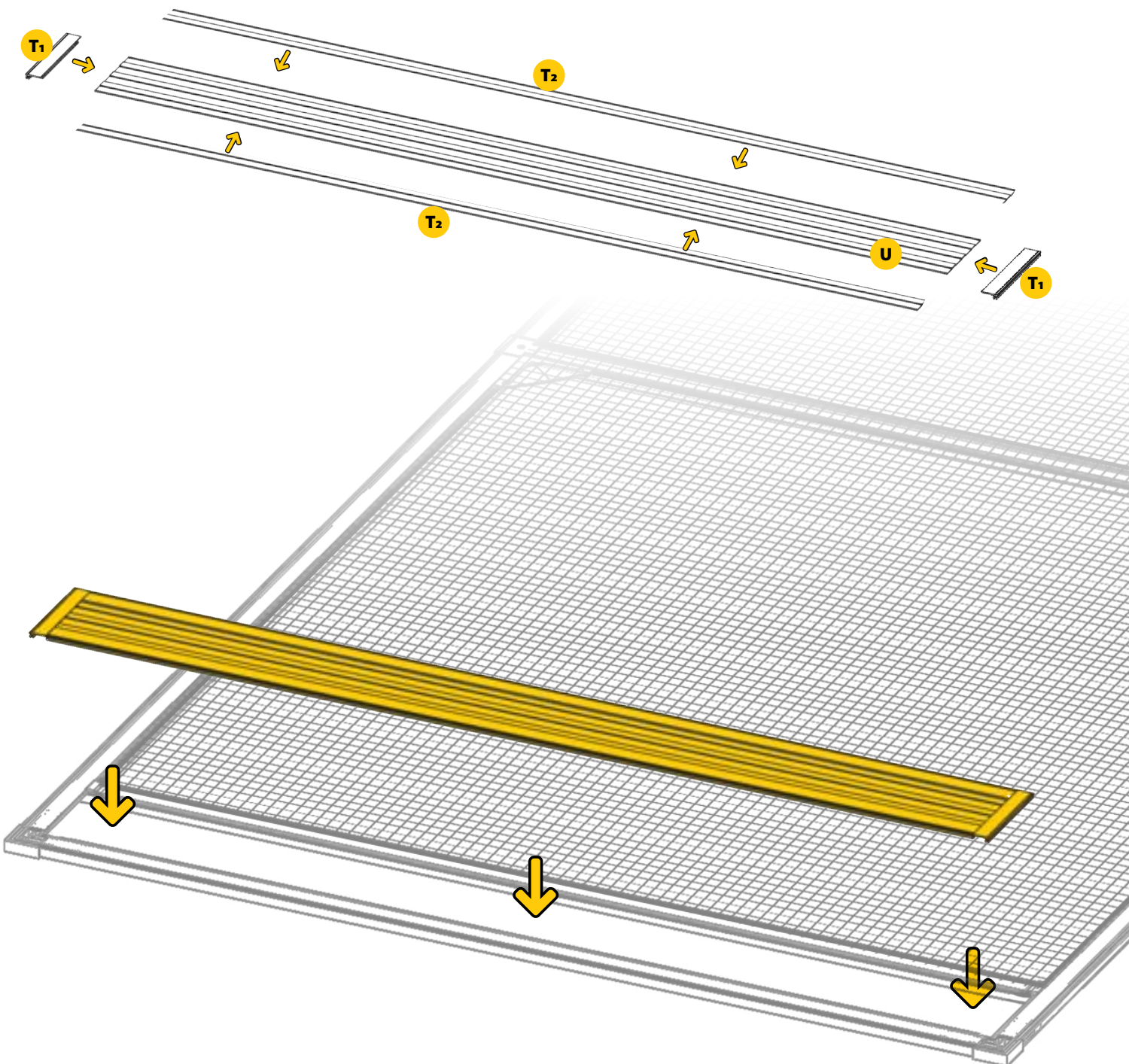
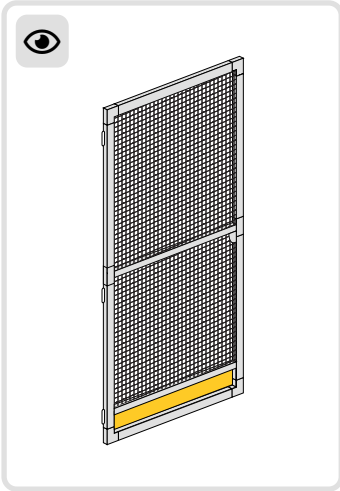


27 OPT 1



28 OPT 1

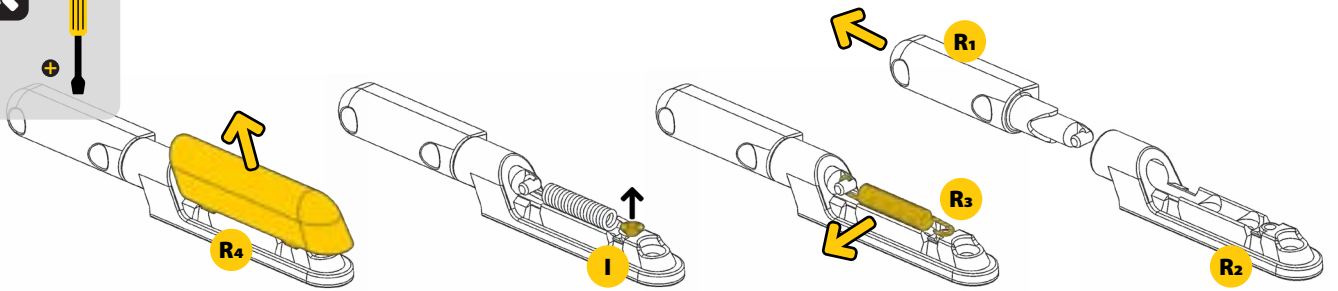




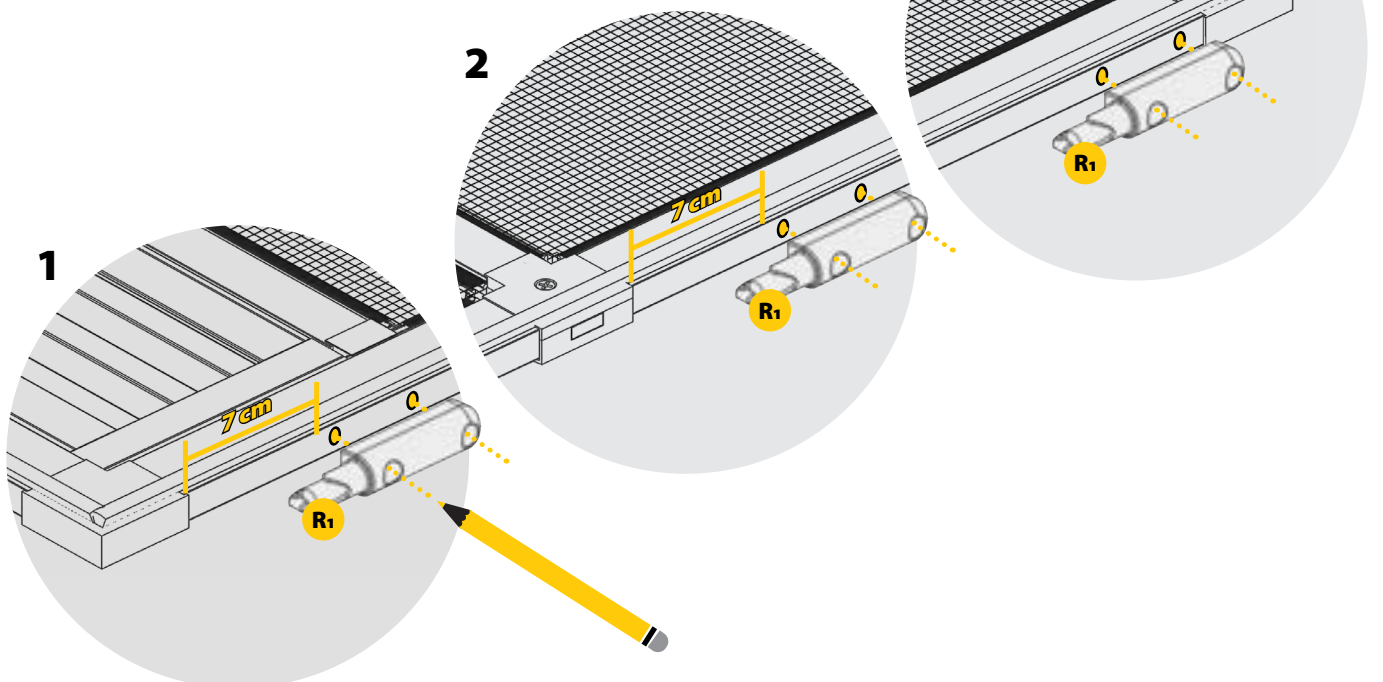
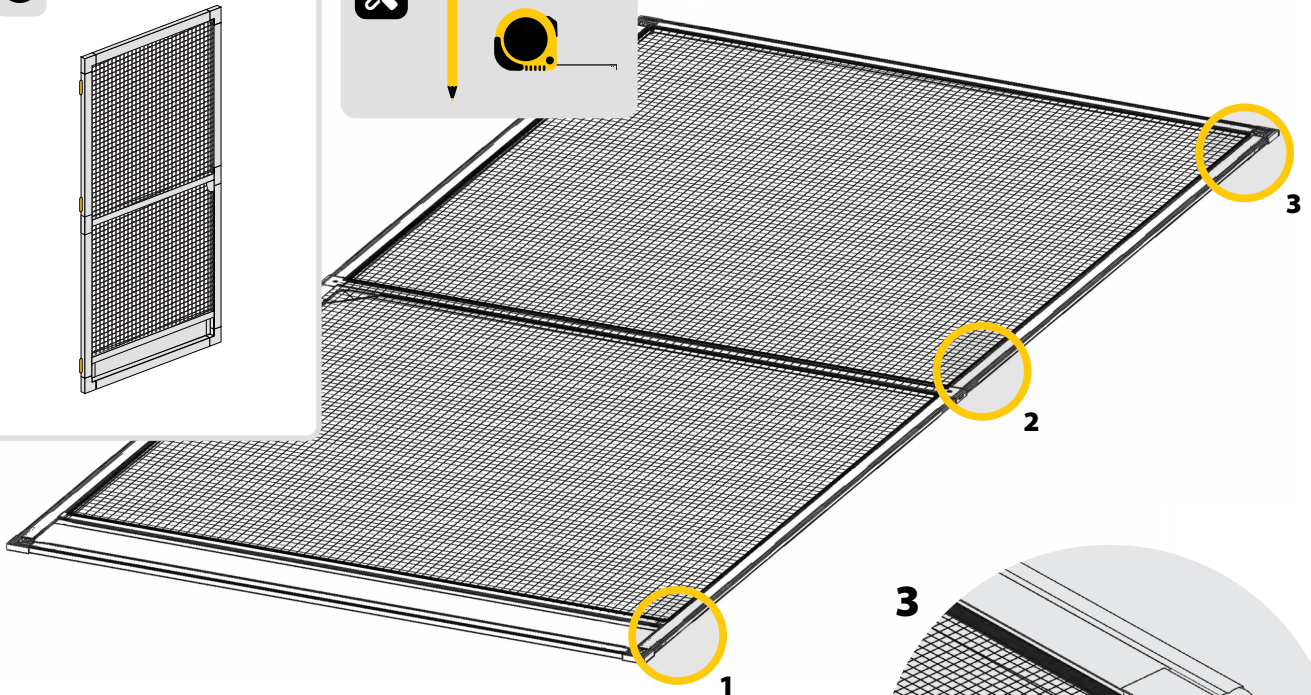
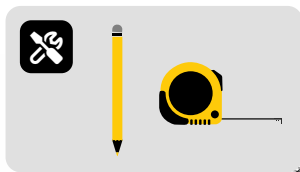
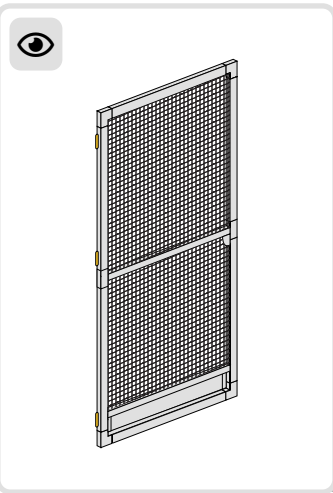
30 OPT 1

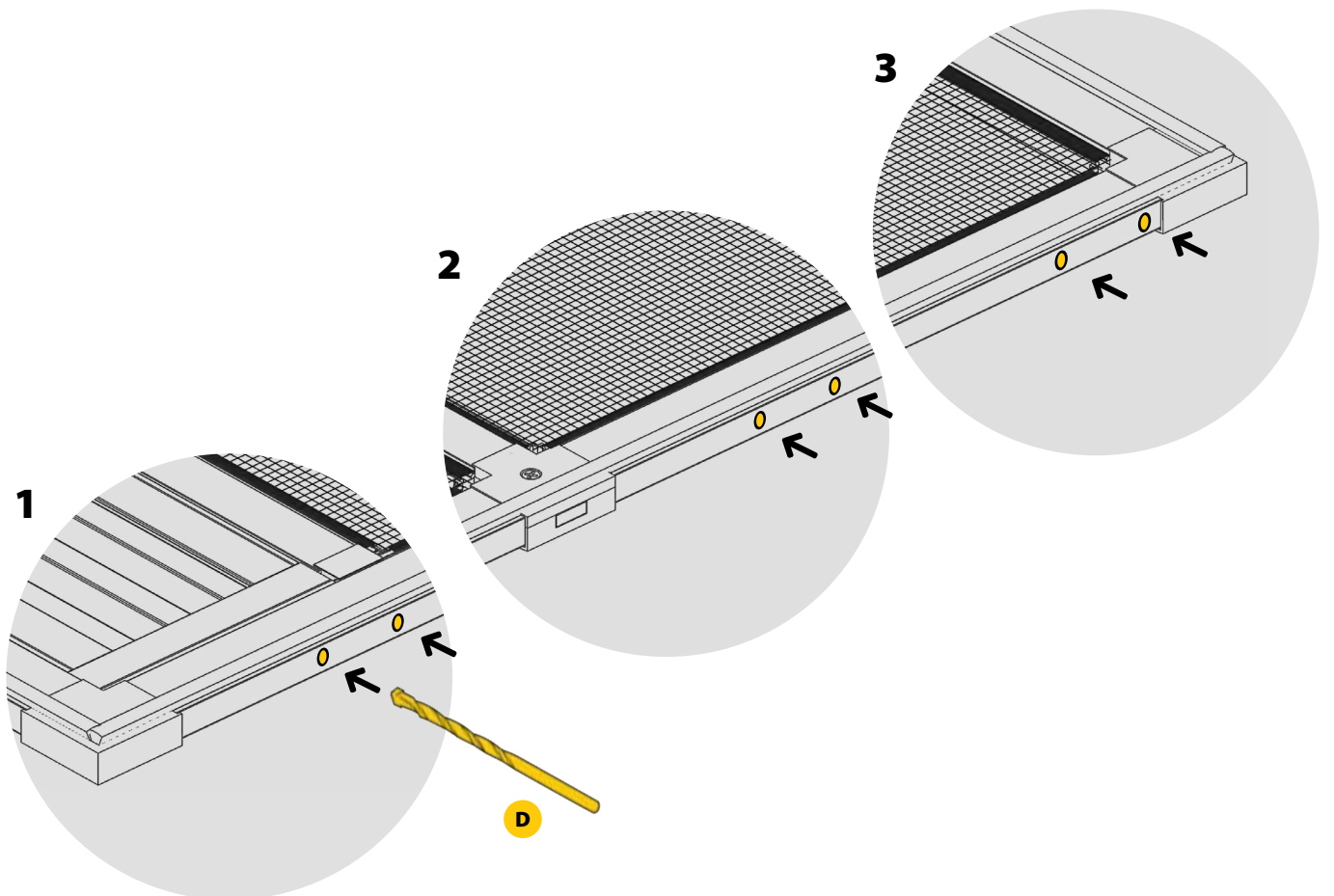
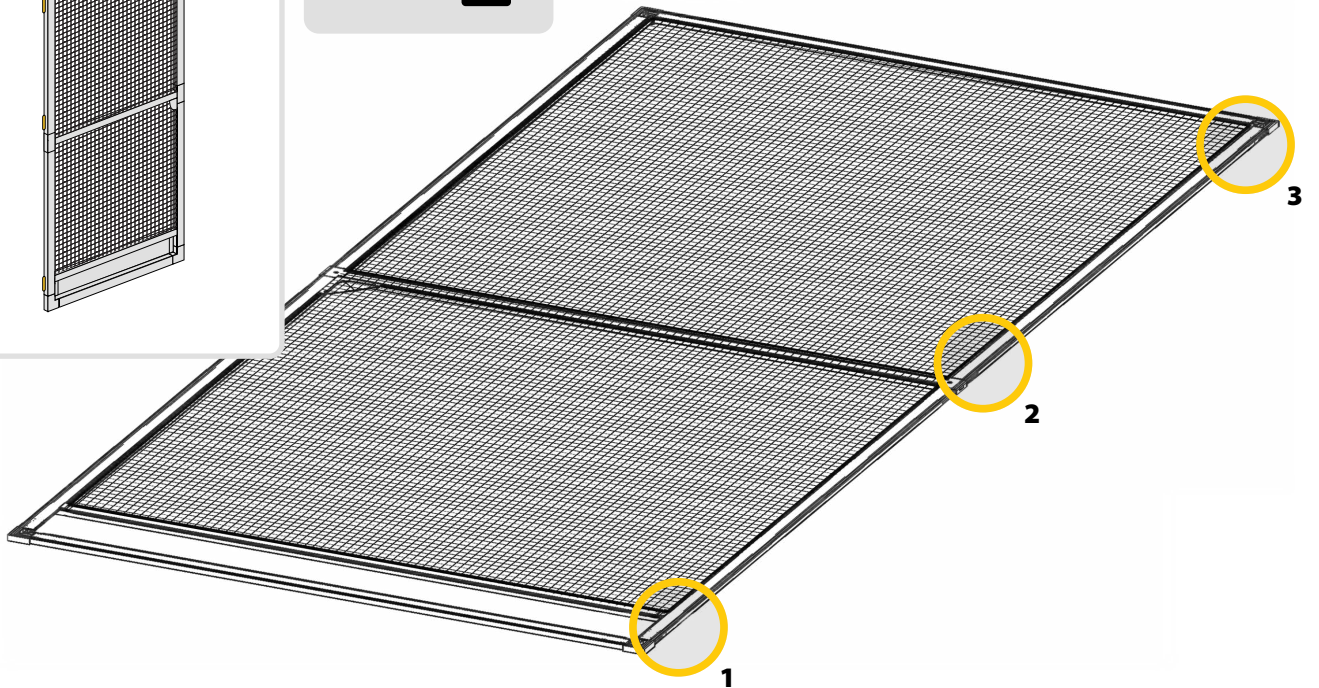
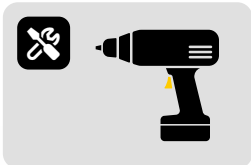
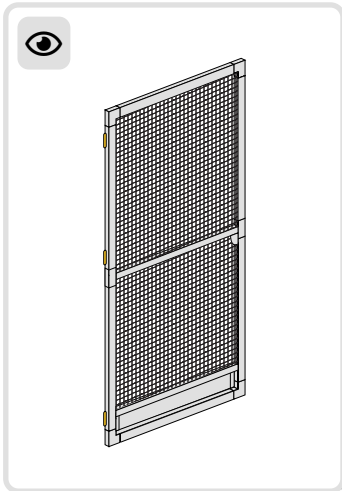


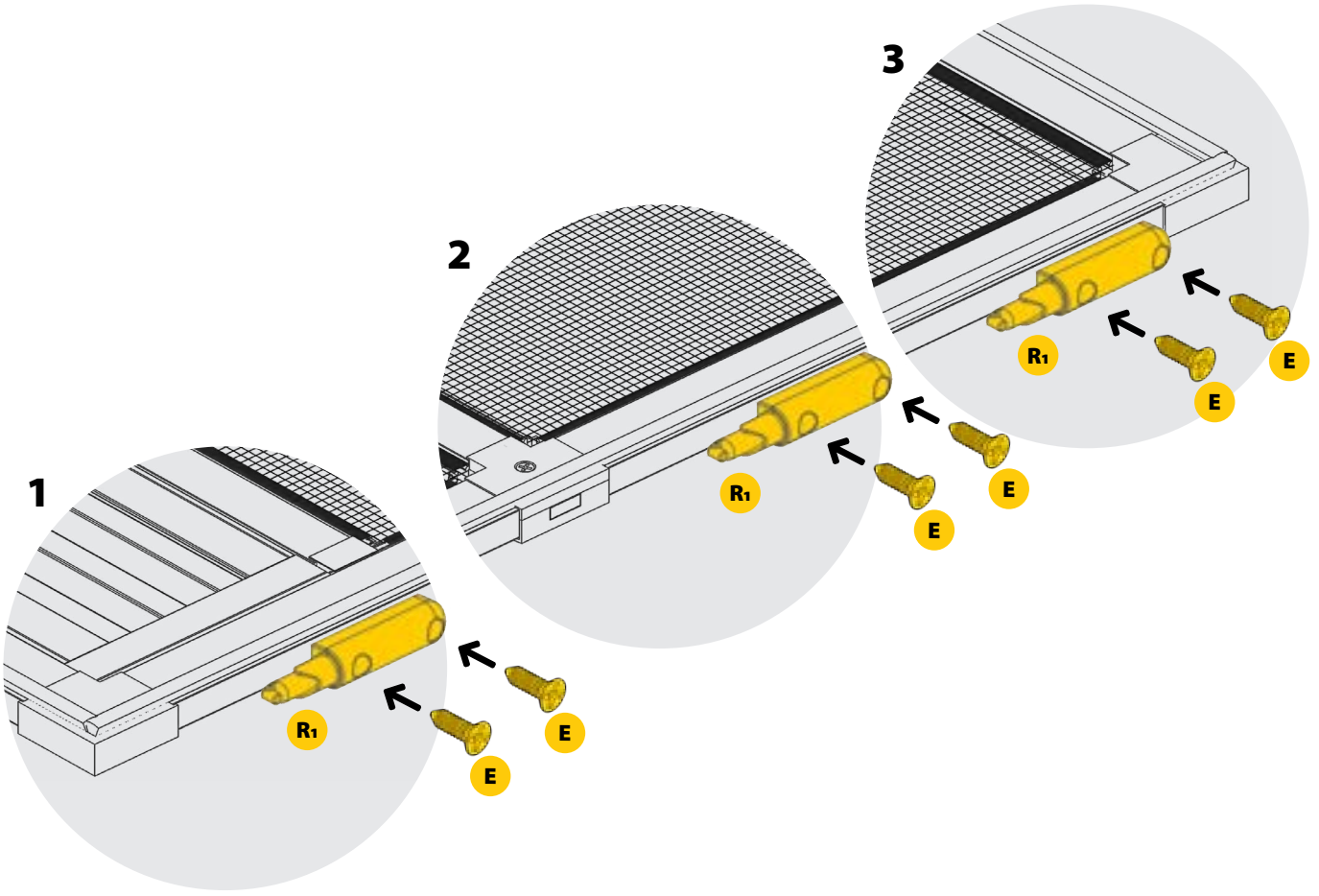
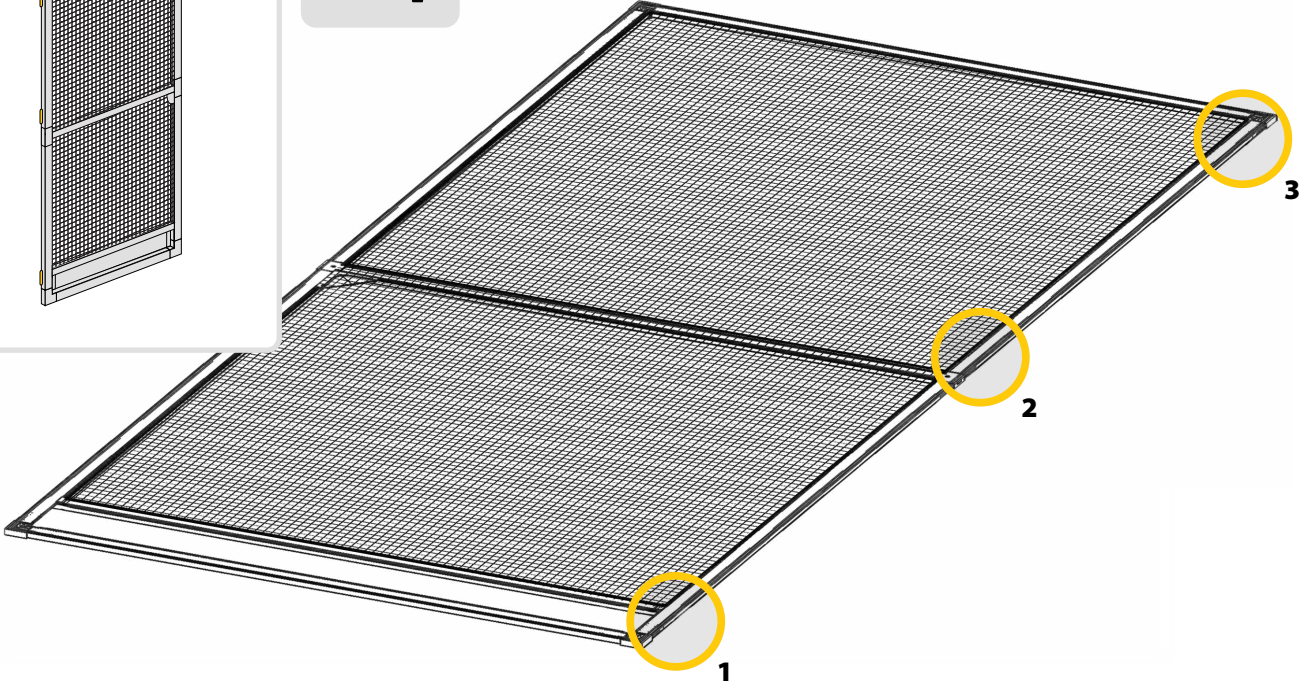
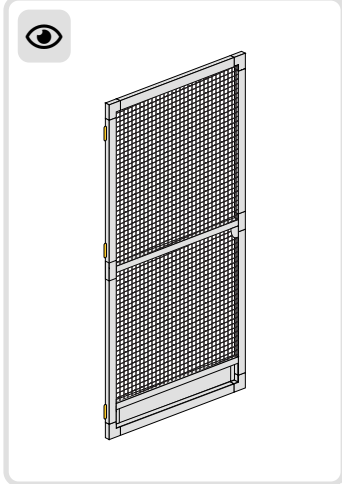
3x R

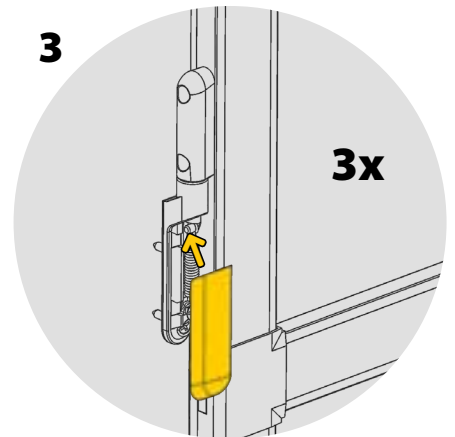
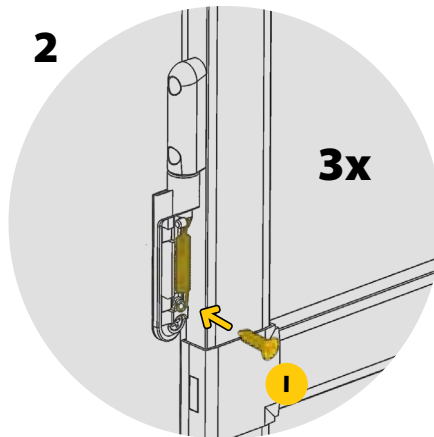
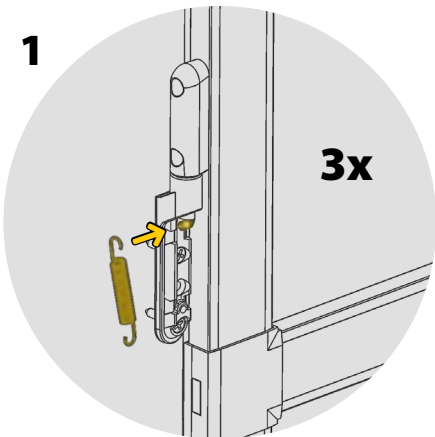
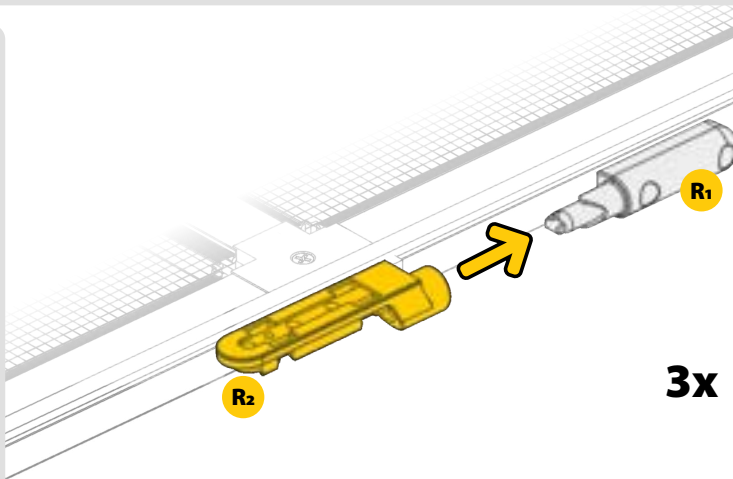
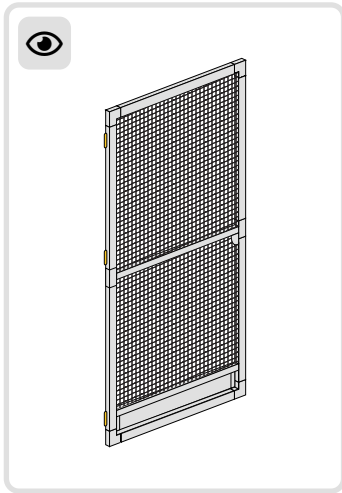


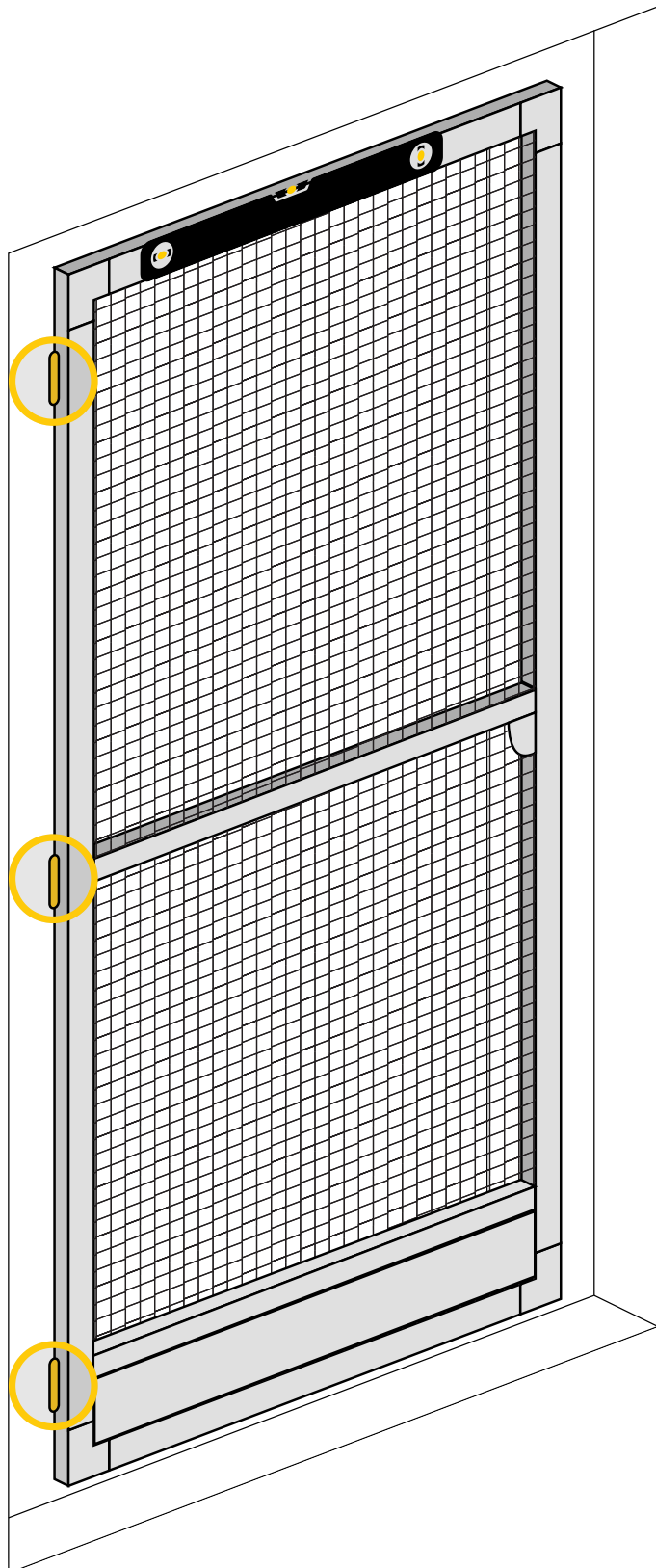
31 OPT 1



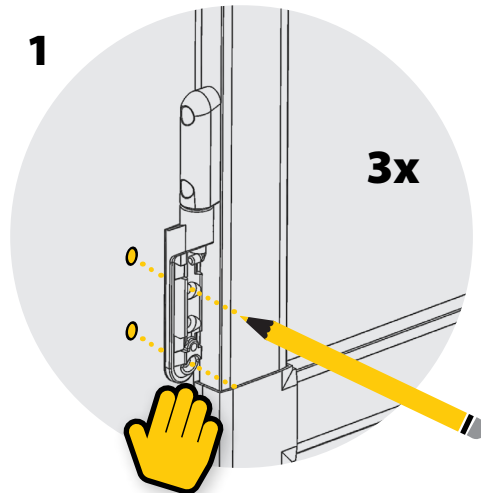




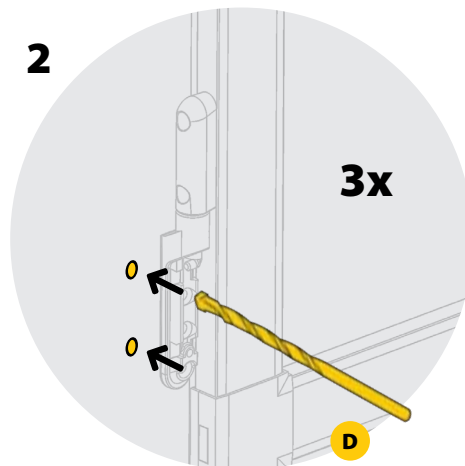




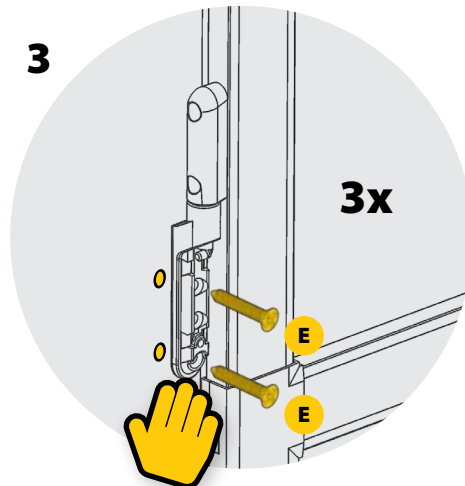
1



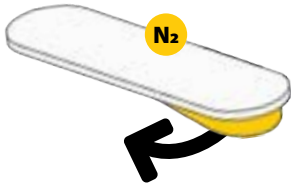
2



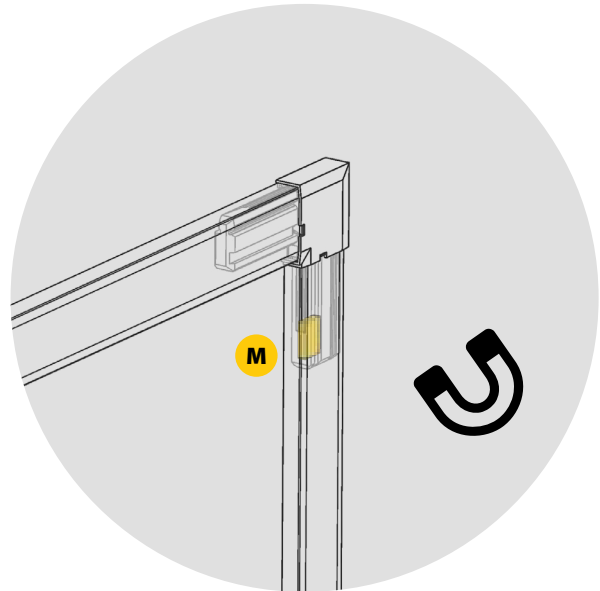
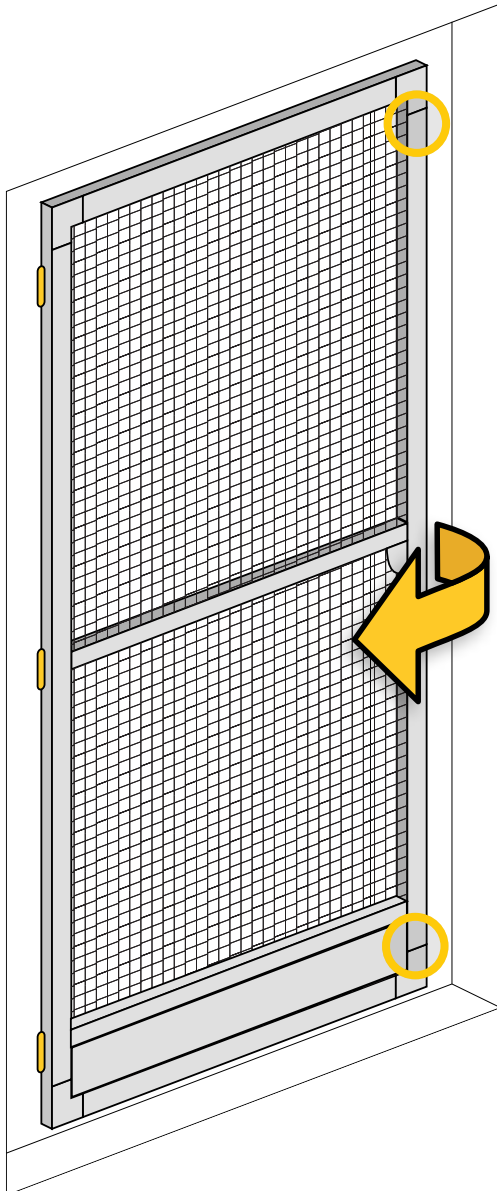
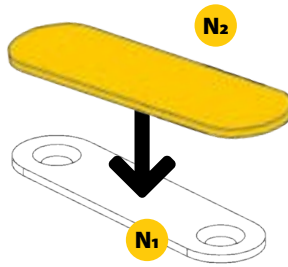
3



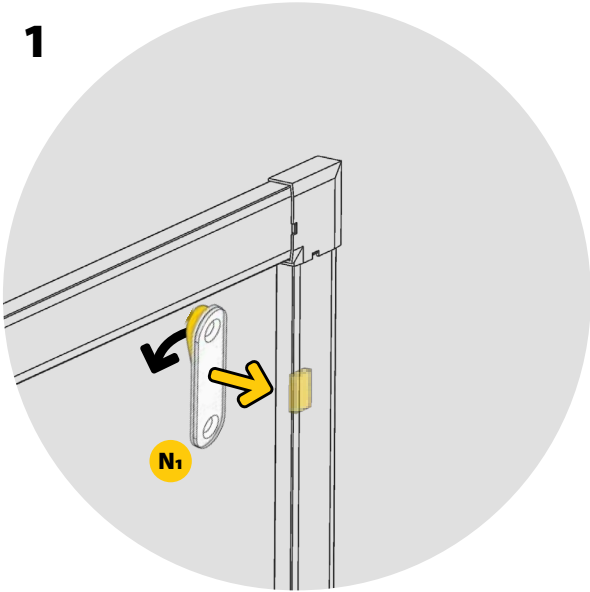
1



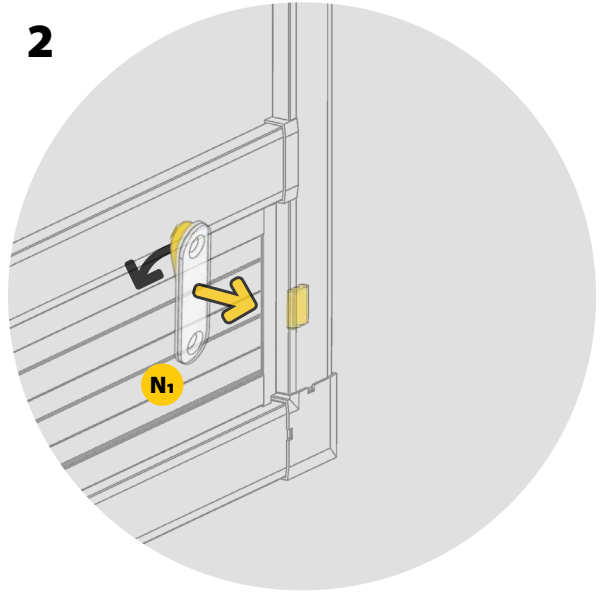
2



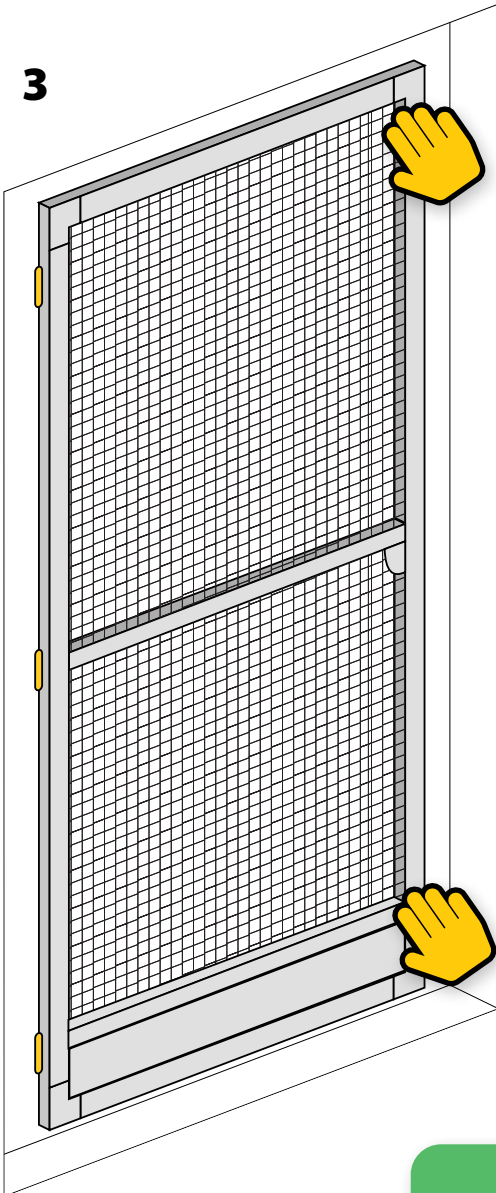
1



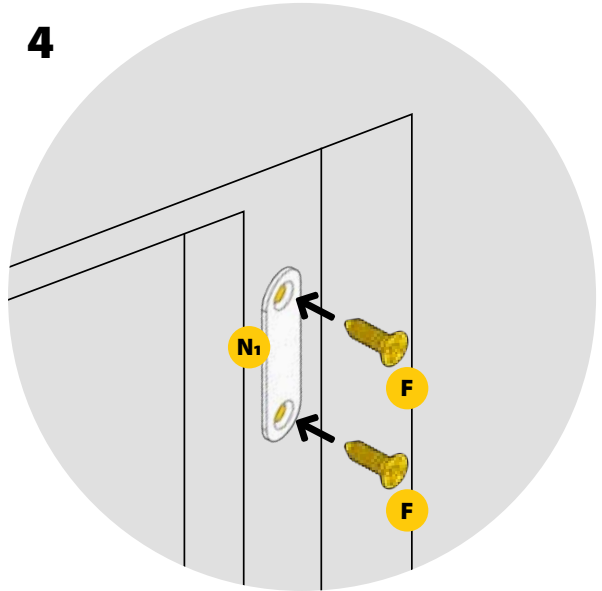
2



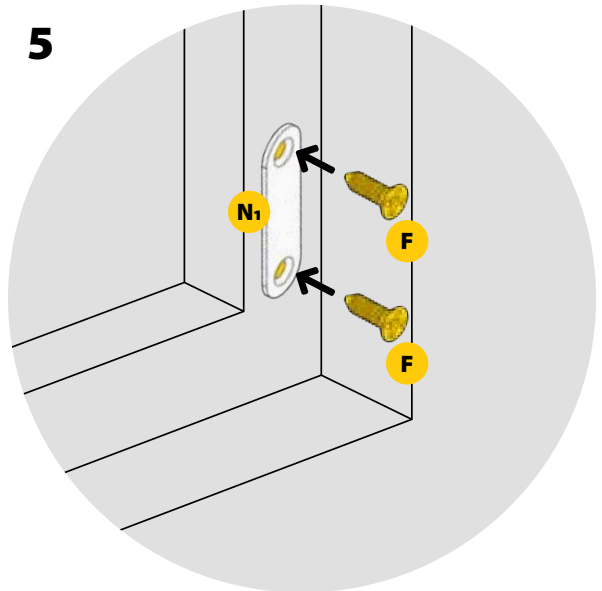
3

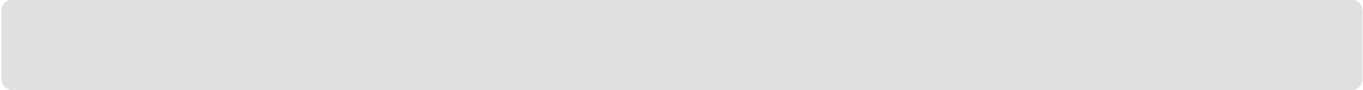


4



5





A series of 20 horizontal dotted lines for writing, evenly spaced and filling most of the page.



A series of horizontal dotted lines spaced evenly down the page, providing a guide for handwriting practice.



Service

Mo-Fr 7.30 Uhr - 18.30 Uhr
Tel +49 (0) 271 89 0 56 - 444
Fax +49 (0) 271 89 0 56 - 398

Alfred Schellenberg GmbH

An den Weiden 31
D-57078 Siegen
service.int@schellenberg.de
www.schellenberg.de