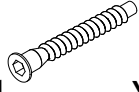



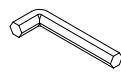
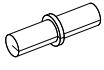
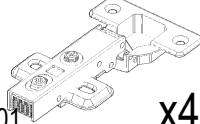
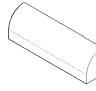
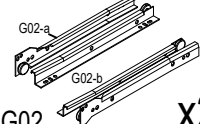



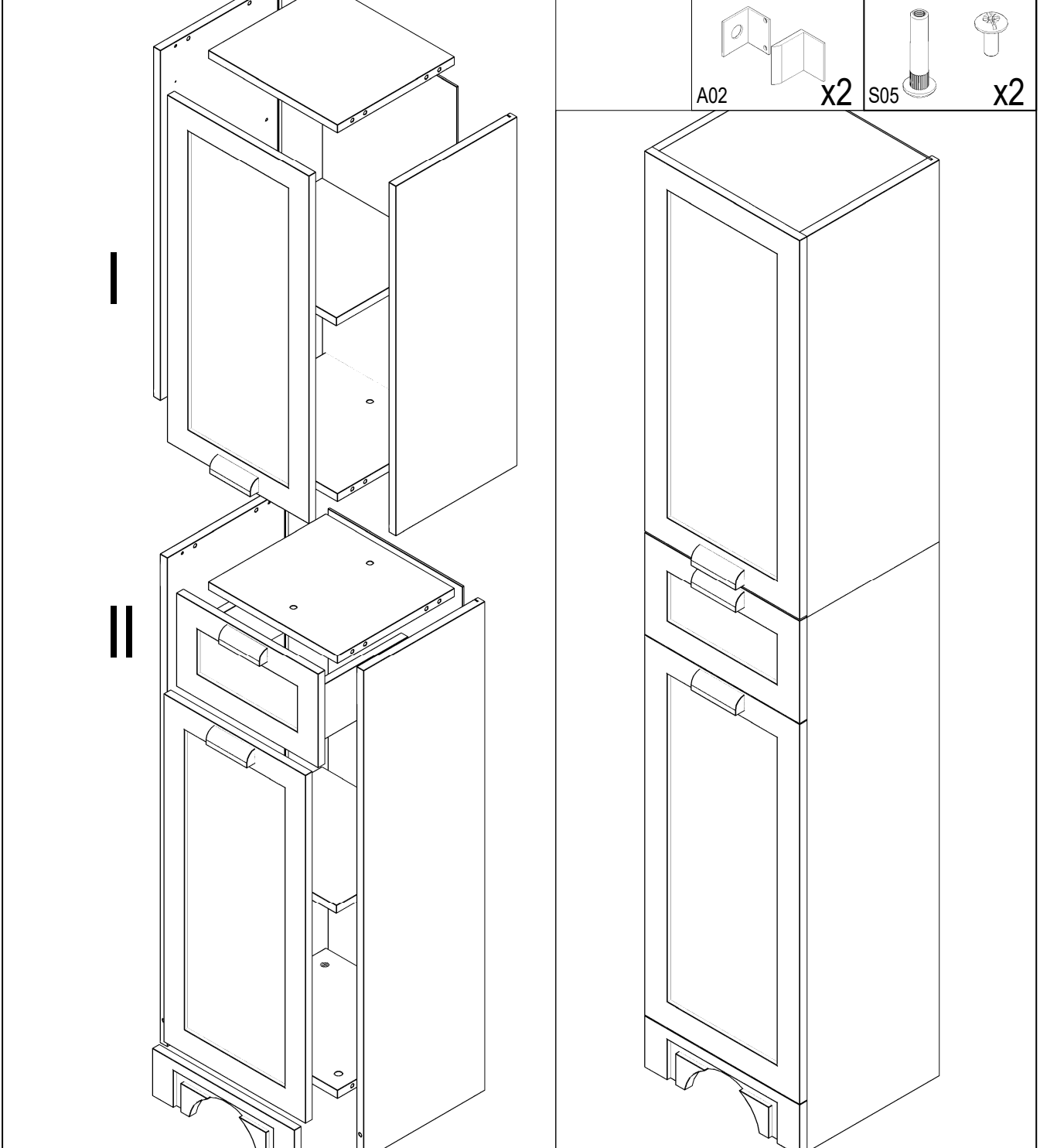
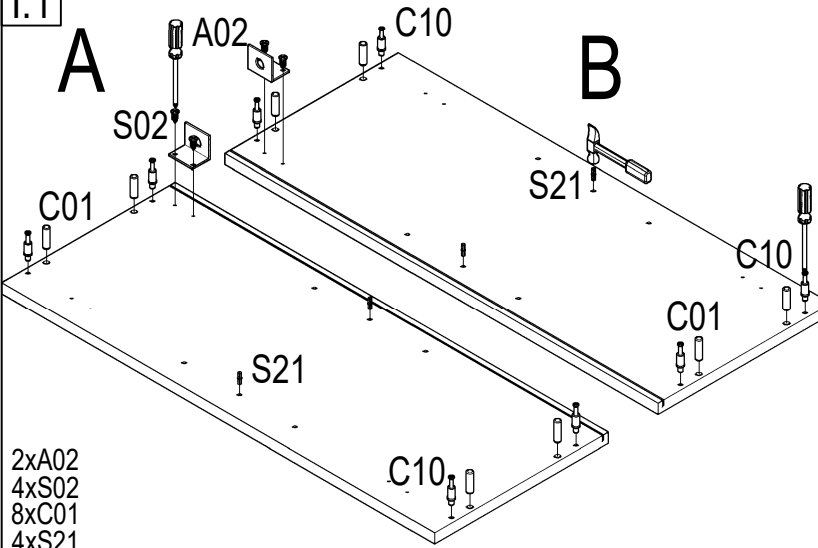


# NR.113

 7x50 S01 x2	 3.5x16 S02 x42	 M4x22 S11 x6	 C01 x20	 D01 x1	 S21 x9
 B01 x4	 M01 x3	 G02-a G02-b G02 x2	 P01 x4	 C10 x22	 C11 x22

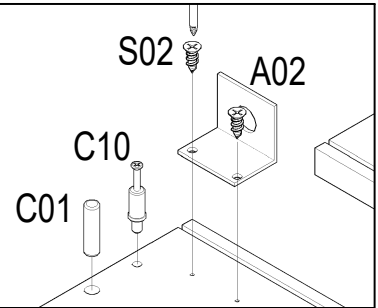


I.1

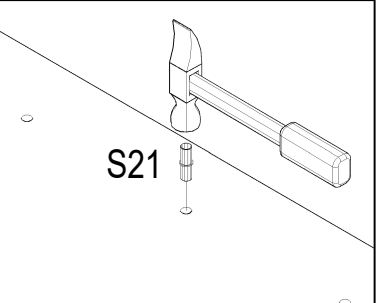


2xA02  
4xS02  
8xC01  
4xS21  
8xC10

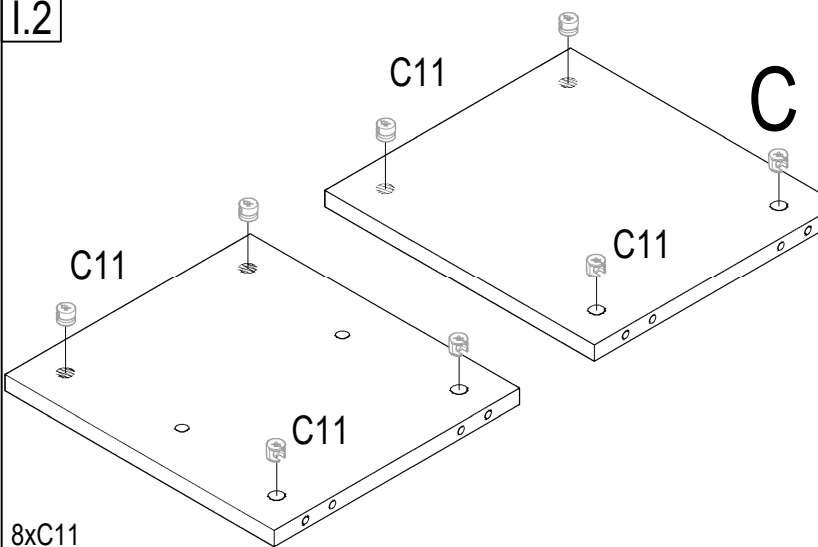
A



B

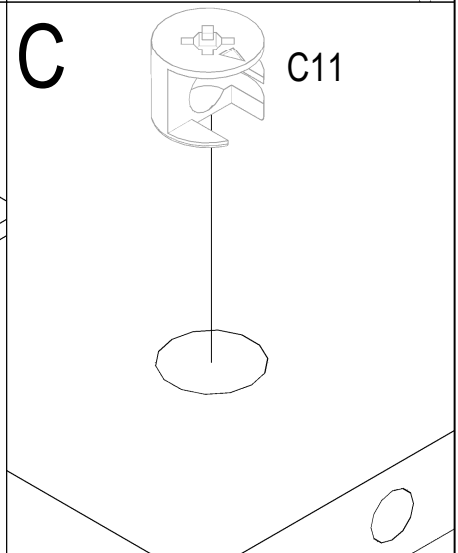


I.2

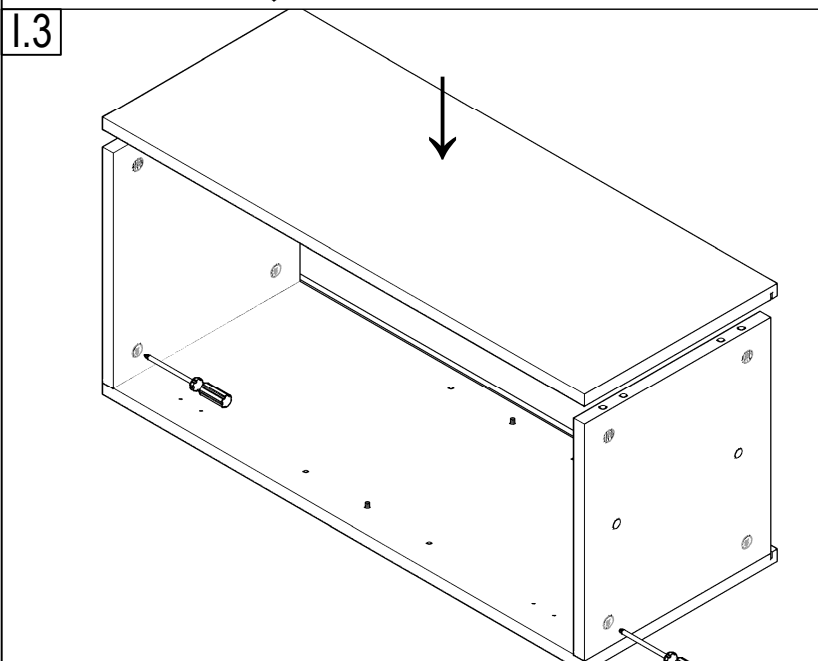


8xC11

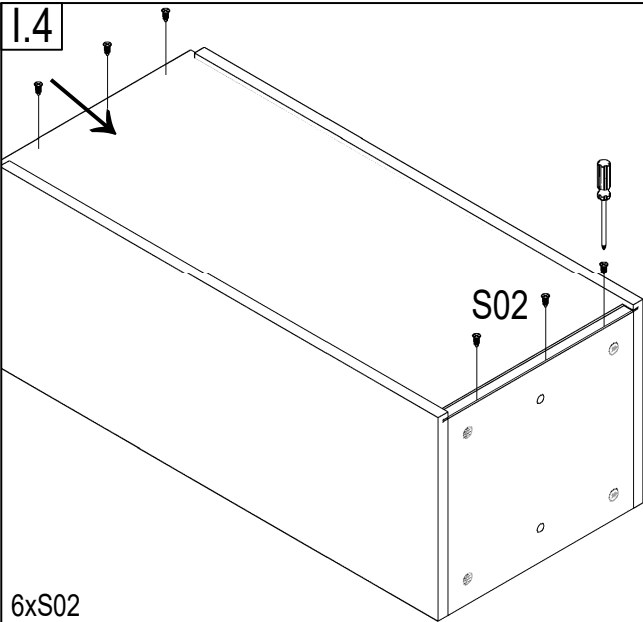
C



I.3

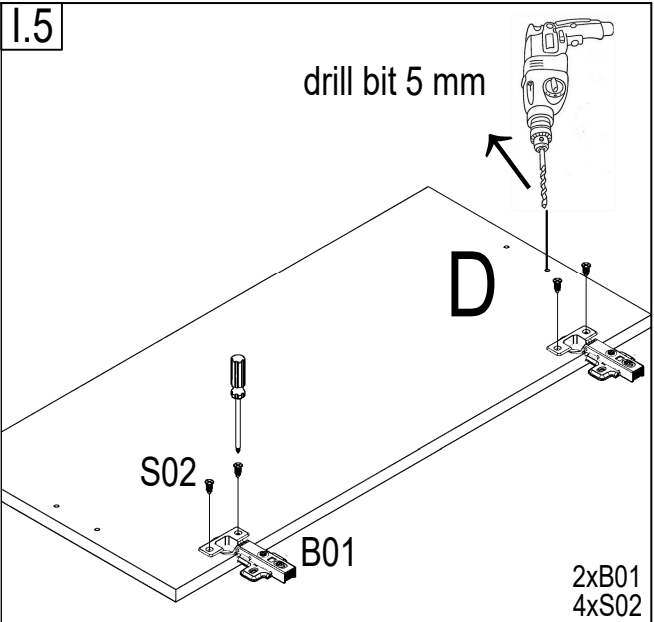


I.4



6xS02

I.5



drill bit 5 mm

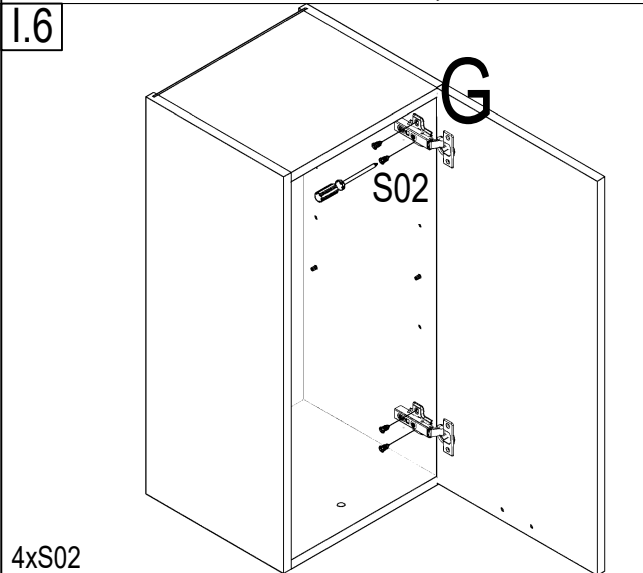
D

S02

B01

2xB01  
4xS02

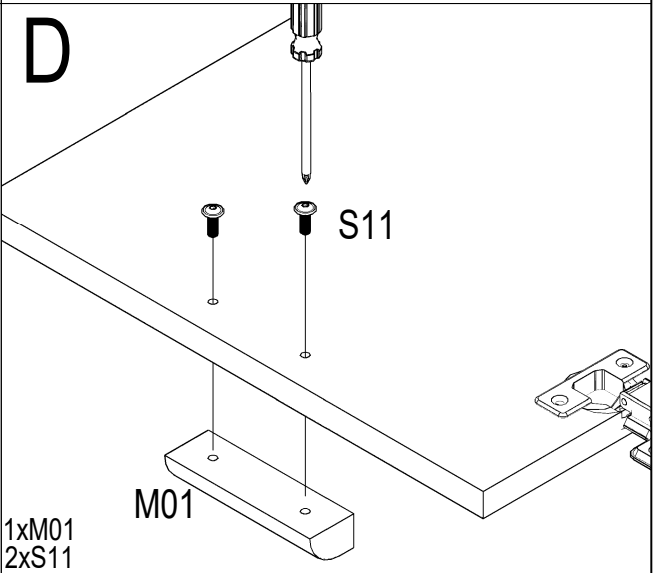
I.6



G

S02

4xS02



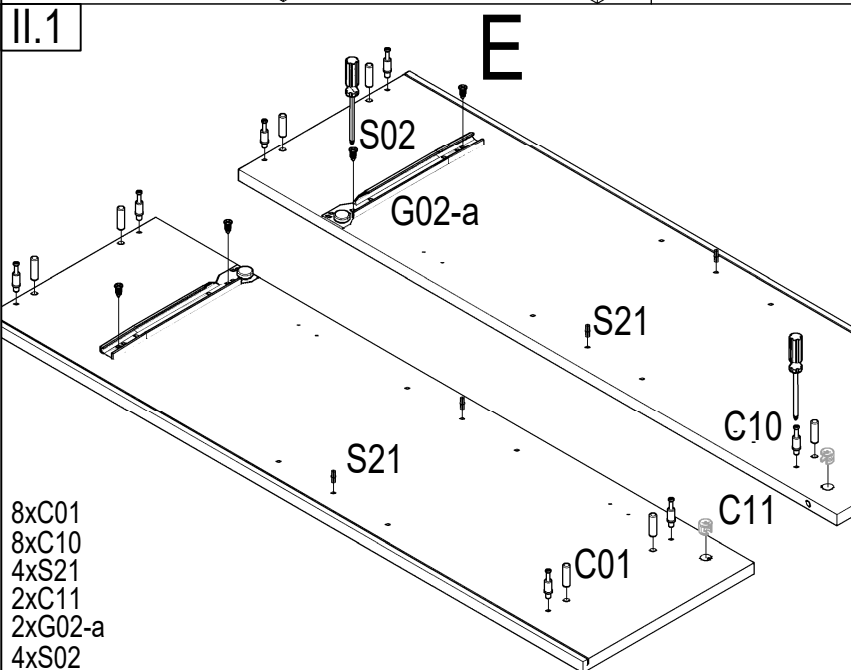
D

S11

M01

1xM01  
2xS11

II.1



E

S02

G02-a

S21

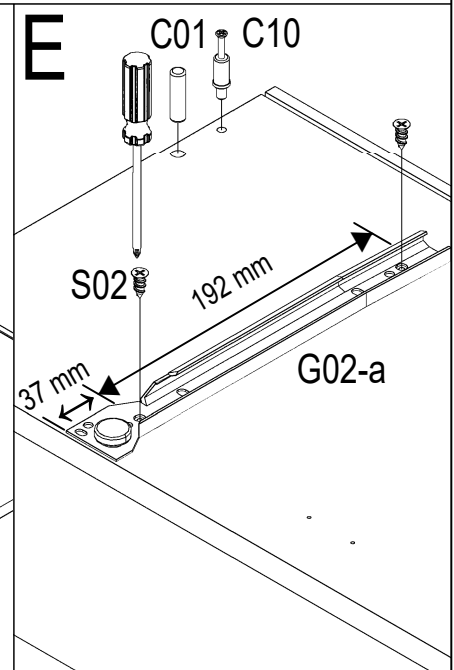
S21

C10

C11

C01

8xC01  
8xC10  
4xS21  
2xC11  
2xG02-a  
4xS02



E

C01

C10

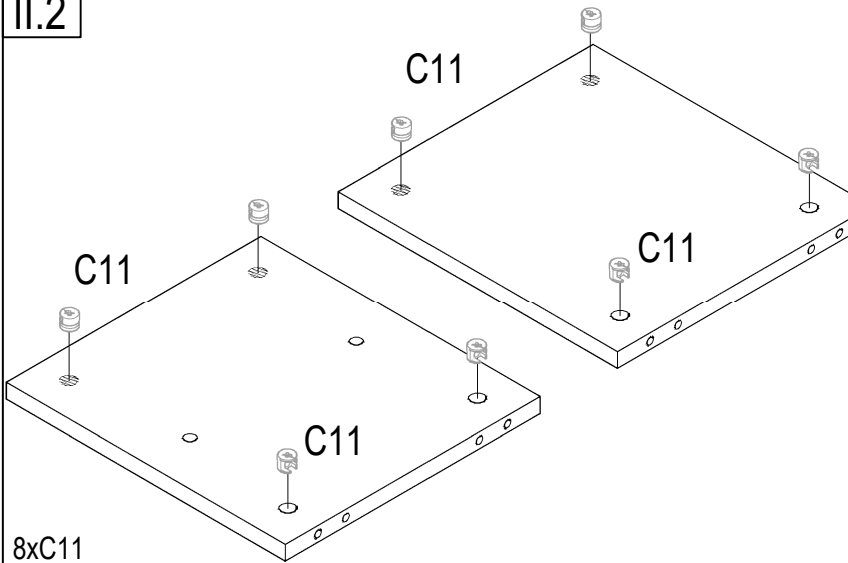
S02

192 mm

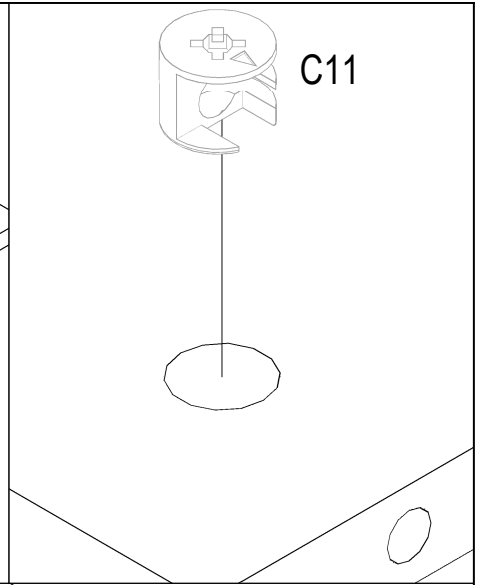
G02-a

37 mm

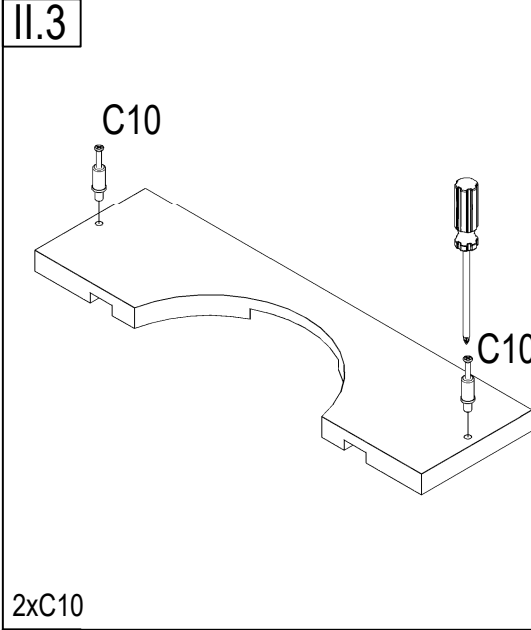
II.2



8xC11

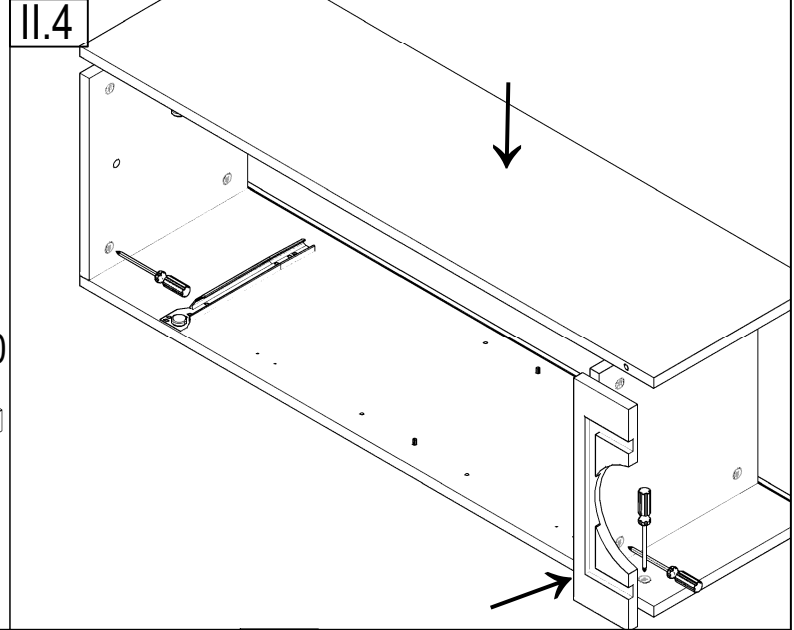


II.3

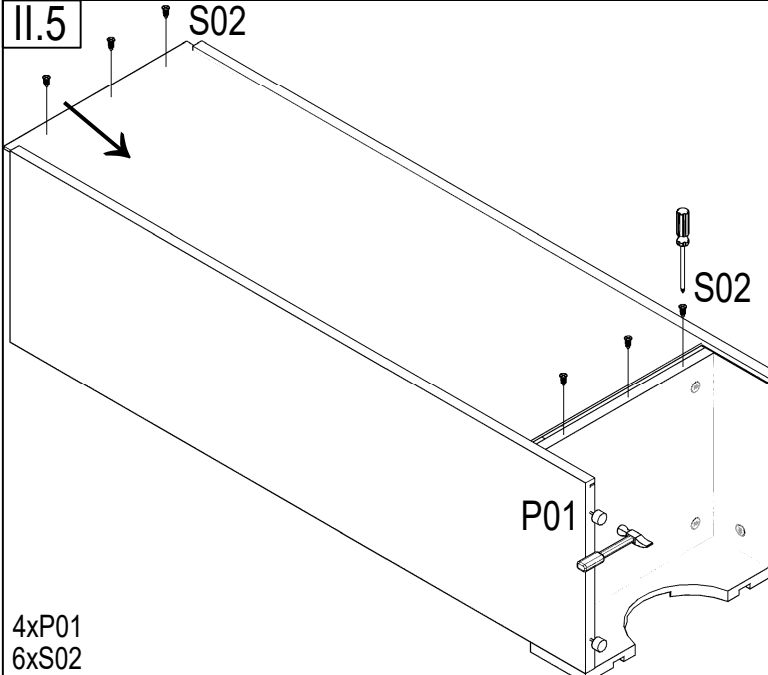


2xC10

II.4

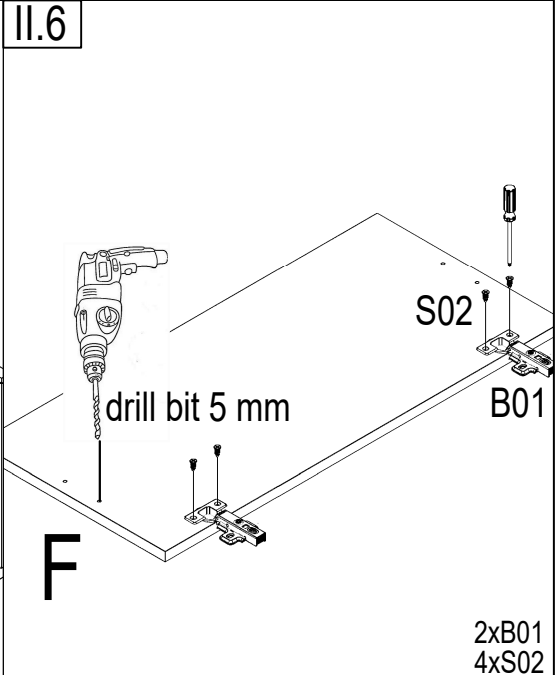


II.5

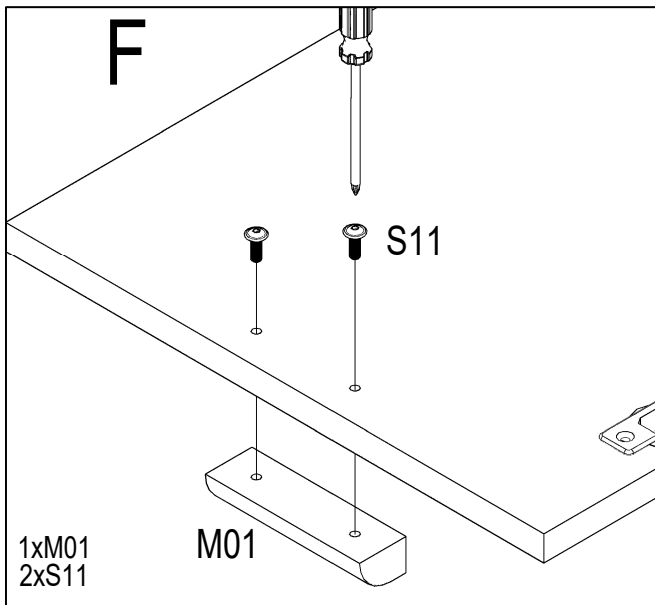


4xP01  
6xS02

II.6



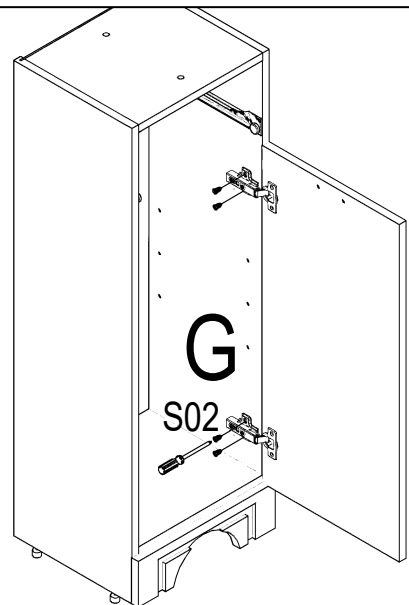
2xB01  
4xS02



1xM01  
2xS11

M01

II.7

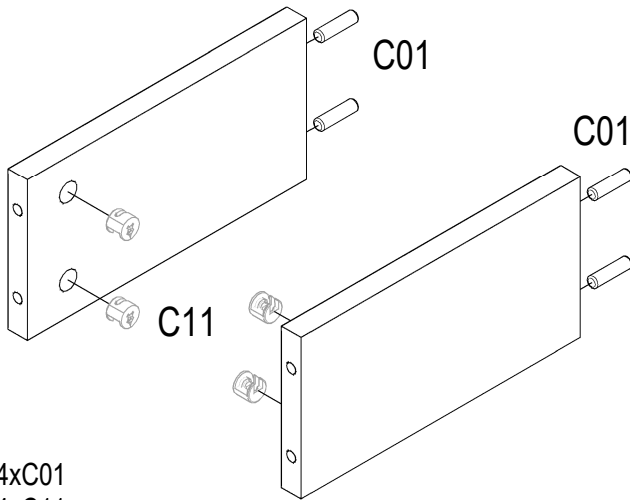


4xS02

G

S02

II.8



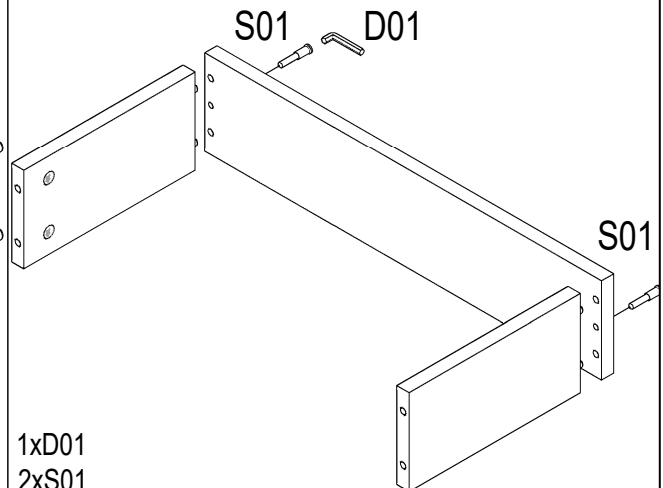
4xC01  
4xC11

C01

C01

C11

II.9



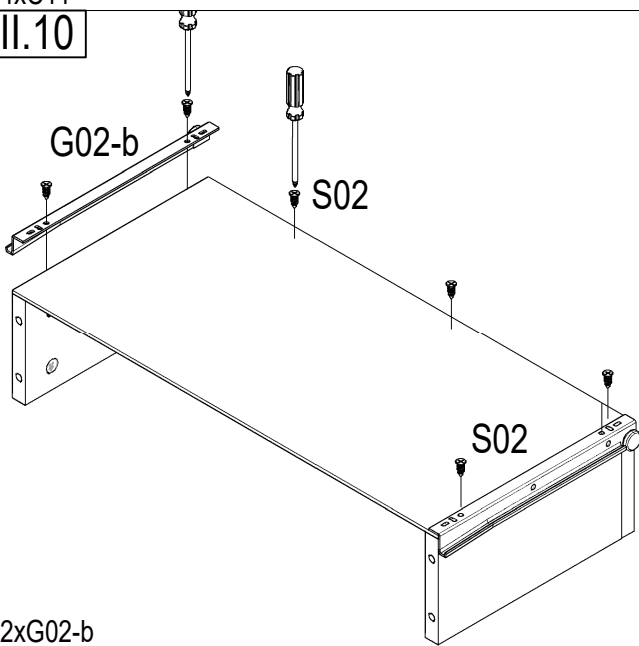
1xD01  
2xS01

S01

D01

S01

II.10



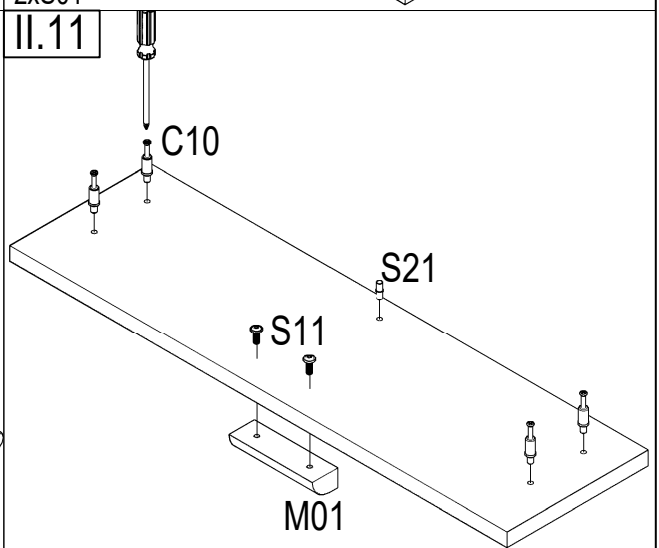
2xG02-b  
6xS02

G02-b

S02

S02

II.11



4xC10  
1xS21  
1xM01  
2xS11

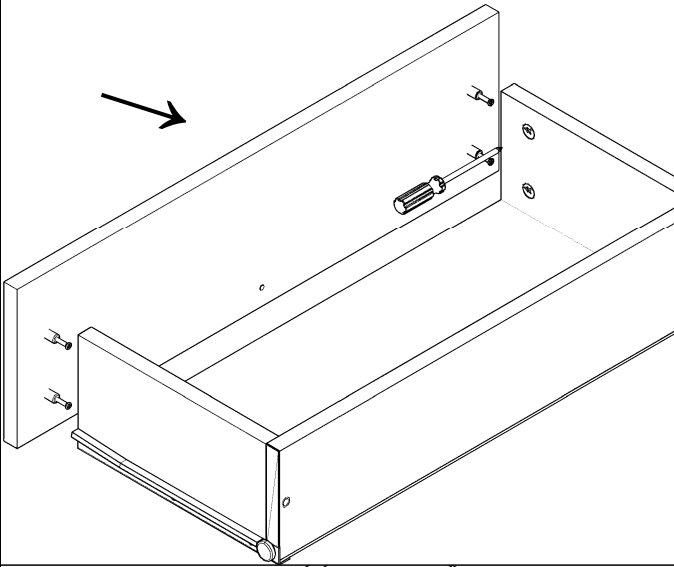
C10

S21

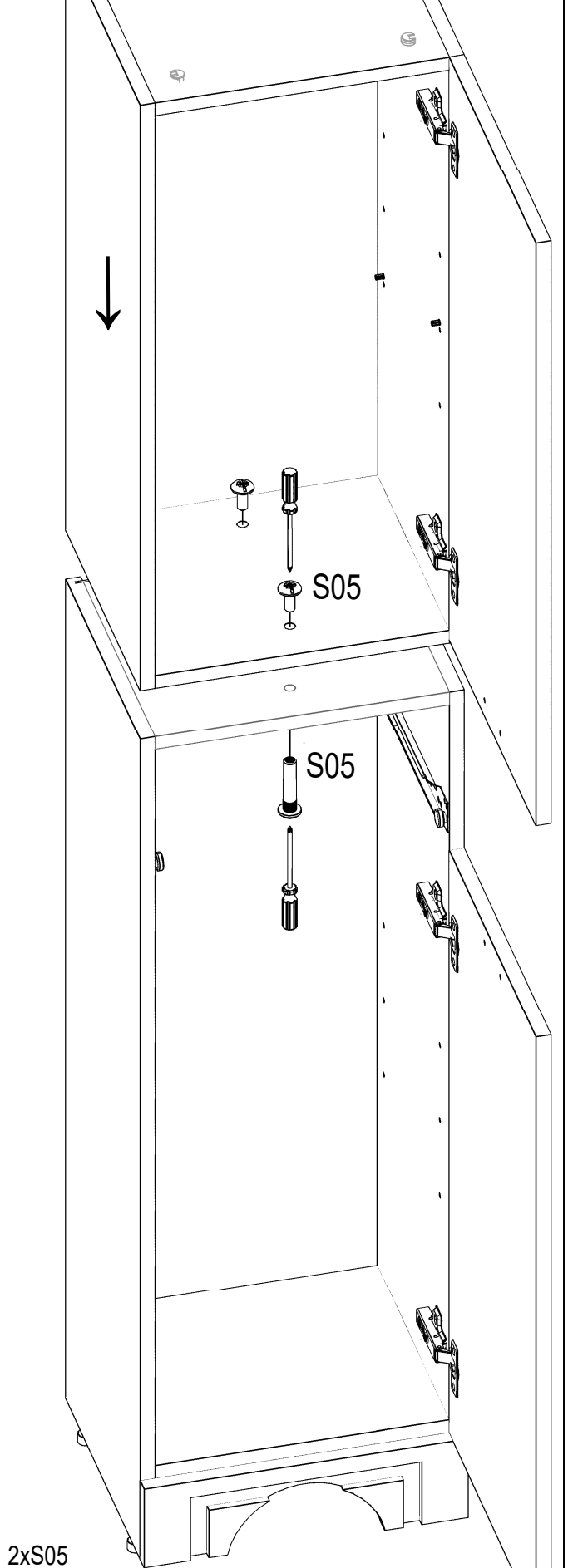
S11

M01

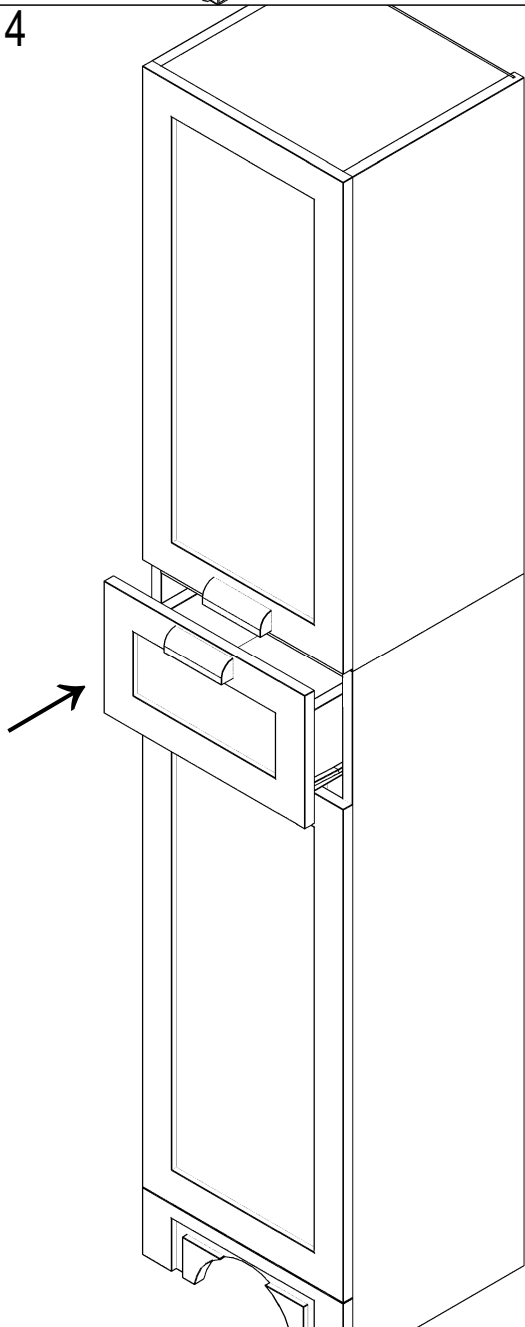
II.12



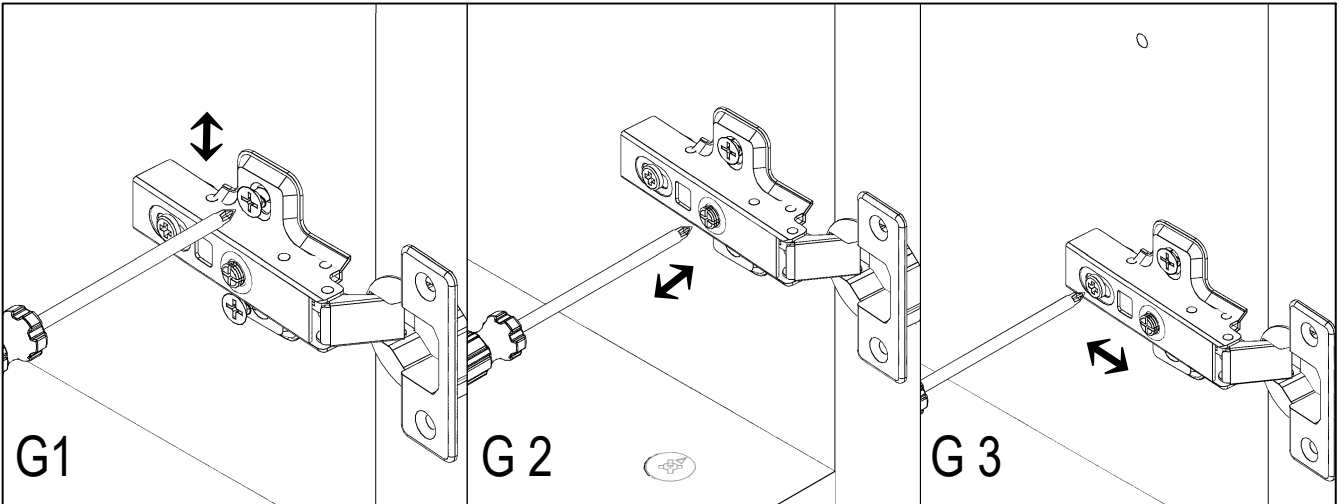
II.13



II.14



2xS05



G1

HEIGHT ADJUSTMENT

G2

SIDE ADJUSTMENT

G3

DEPTH ADJUSTMENT