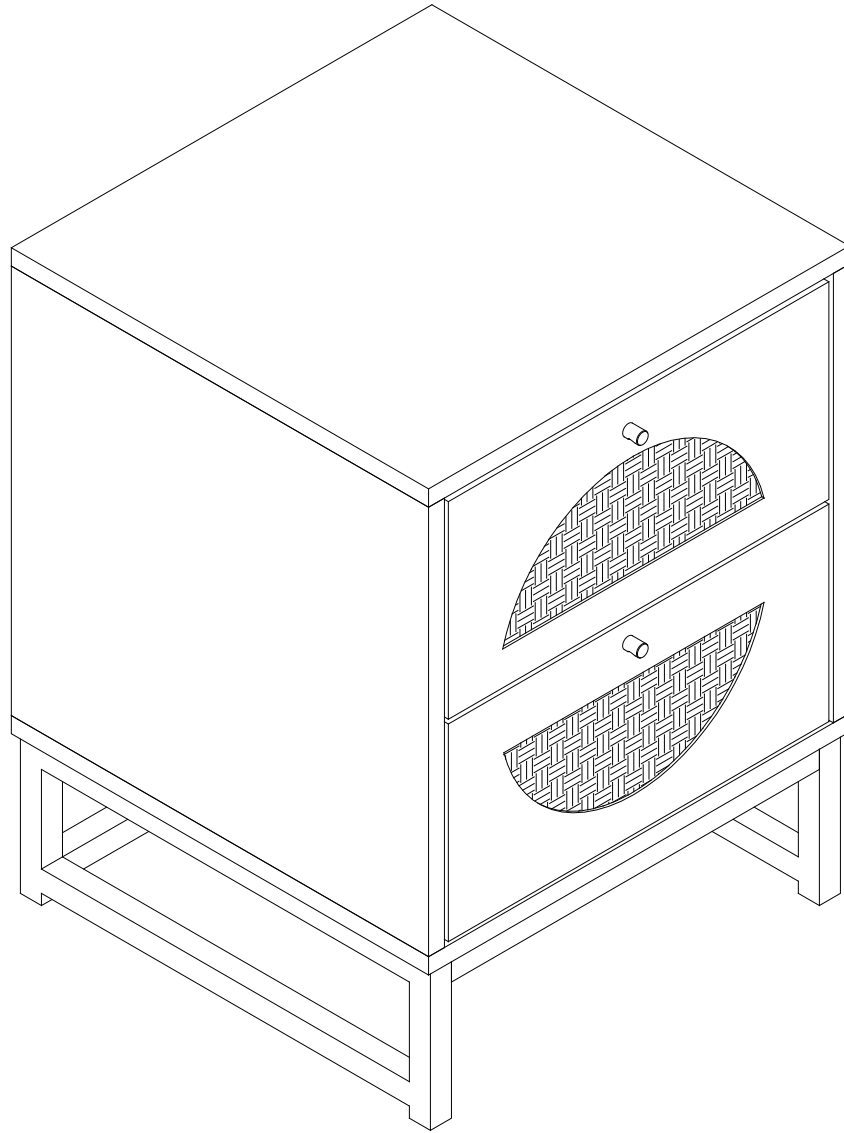


Installation Instruction



Product name

Allen 2 Drawer Side Table

Ver.1.0 20210105

Assembling

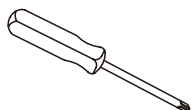
Estimated time for assembly



25 : 00

What you need

- Use the packaging carton as a working surface to prevent product damage during assembly
- Phillips head screwdriver



Weight Limitation



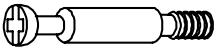
55 | **11**
lbs table top lbs per drawer

What's included

Code	Description	Qty
A	Cam Bolt M6X35MM	12
B	Cam Lock 15X10MM	12
C	Screw M4X35MM	12
D	Screw M3.5X12MM	24
E	Allen Key	1
F	Wooden Dowel M6X30MM	8
G	Bolt M4X18MM	2
H	Handle	2
I	Bolt M6X30MM	8
J	Bolt M6X40MM	6
K	Slide Sets	2

The Hardwares

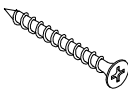
(A)



(B)



(C)



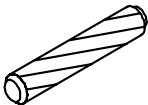
(D)



(E)



(F)



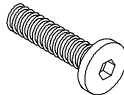
(G)



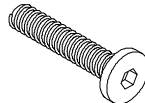
(H)



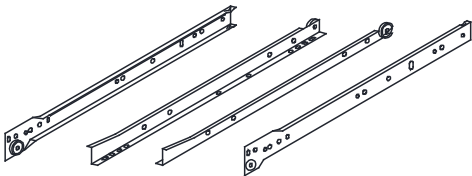
(I)



(J)



(K)



CL DL DR CR

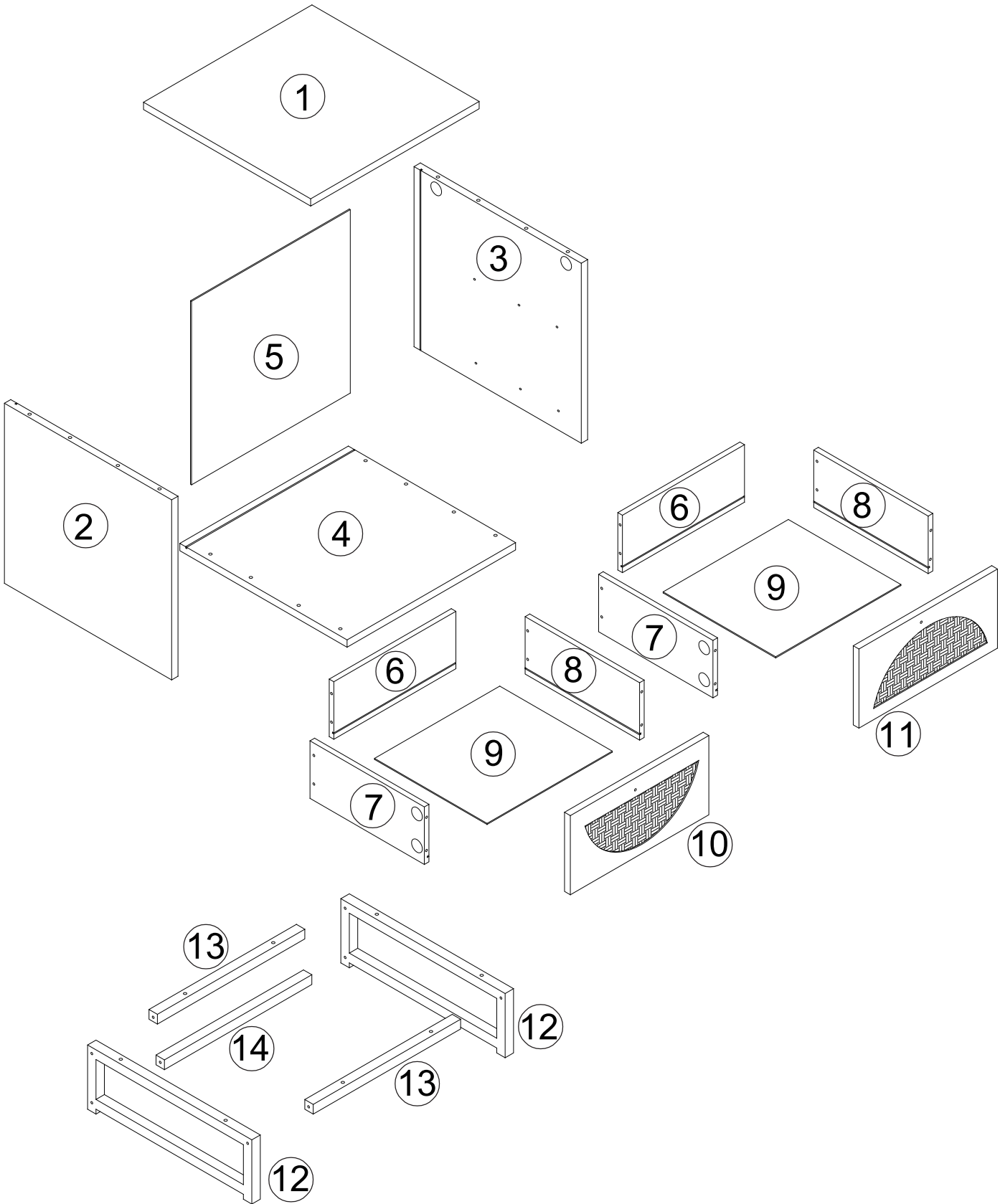
IMPORTANT:

- 1. Do not tighten bolts / screws completely until all bolts / screws are lined up and inserted into holes.
- 2. Do not over tighten screws and bolts to avoid stripping.
- 3. Please use hand tools to assemble this product. Do not use power tools.

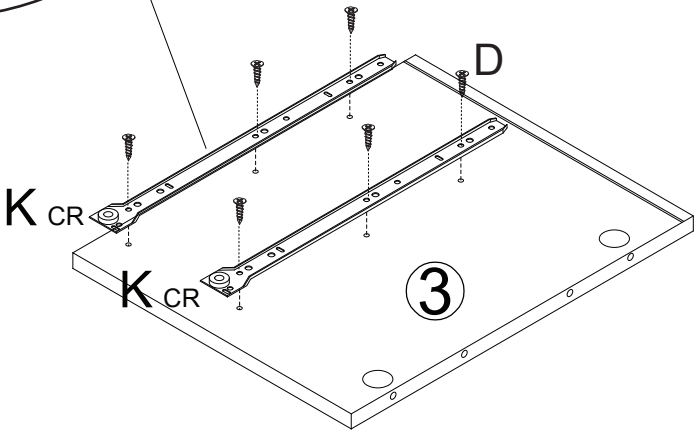
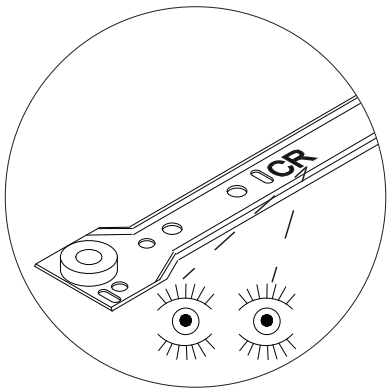
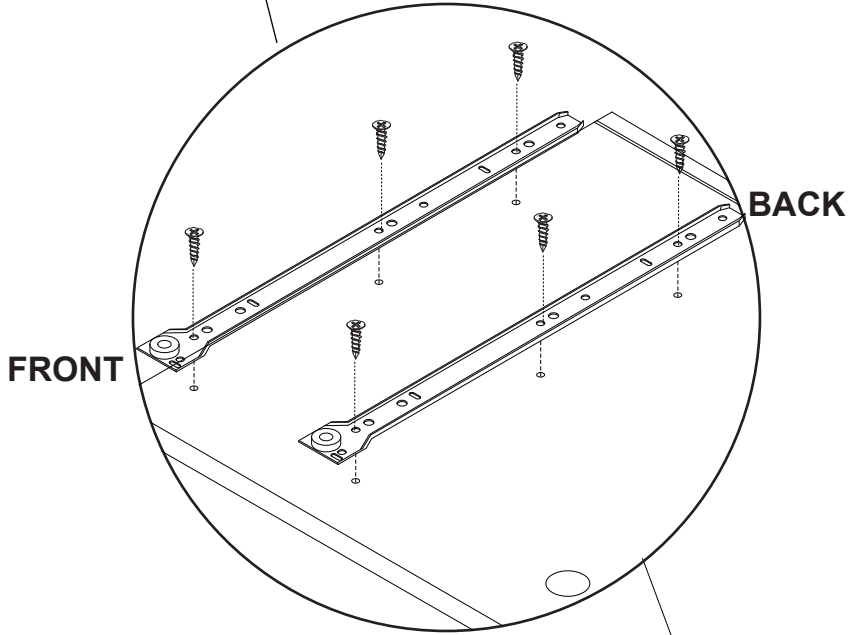
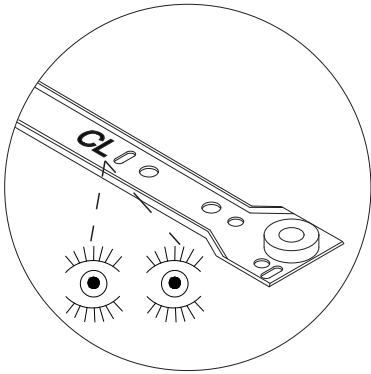
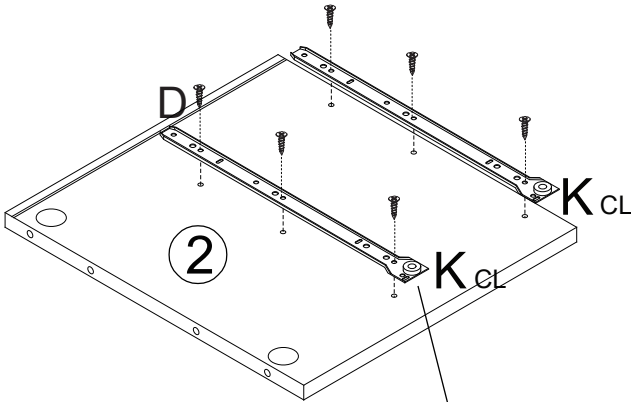
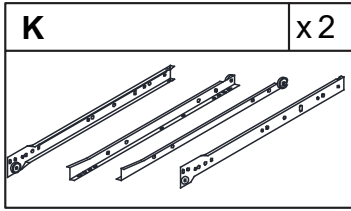
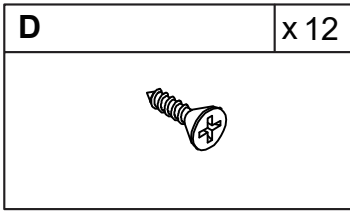
Included Accessories

Code	Description	Qty
1	Cabinet Top	1
2	Left Side Panel	1
3	Right Side Panel	1
4	Bottom panel	1
5	Back Panel	1
6	Drawer Back Panel	2
7	Drawer Left Side Panel	2
8	Drawer Right Side Panel	2
9	Drawer Bottom Panel	2
10	Drawer Left Front Panel	1
11	Drawer Right Front Panel	1
12	Side Frame	2
13	Top Metal Stretcher	2
14	Bottom Metal Stretcher	1

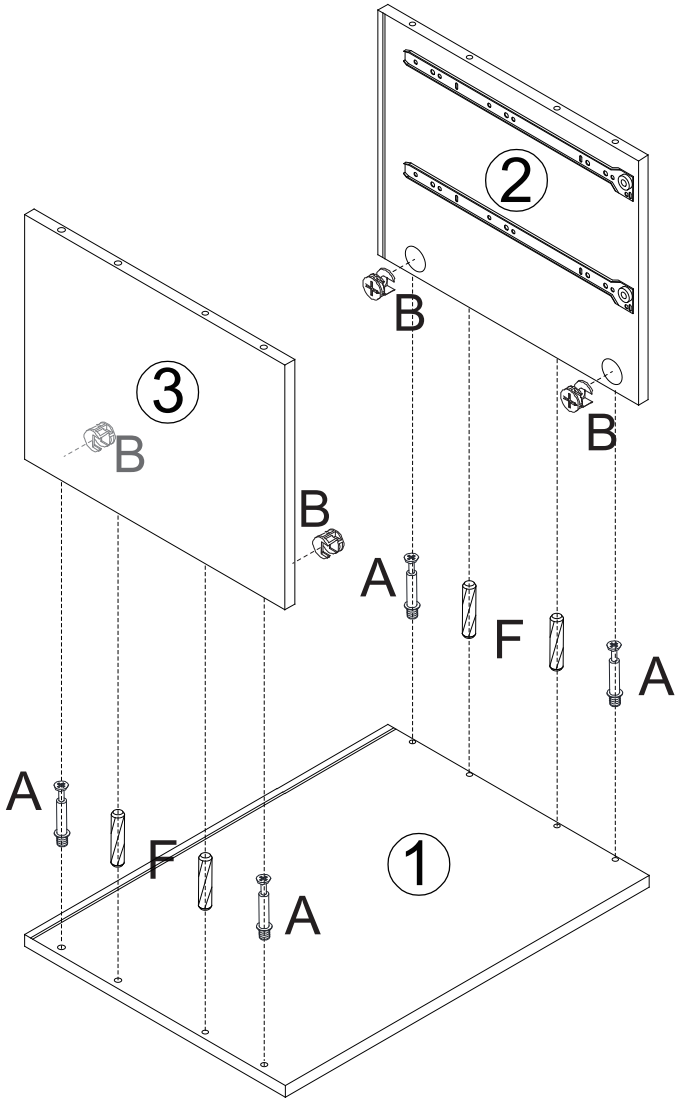
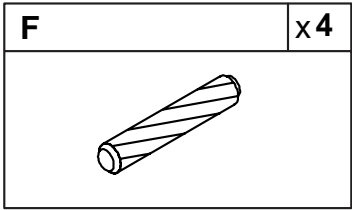
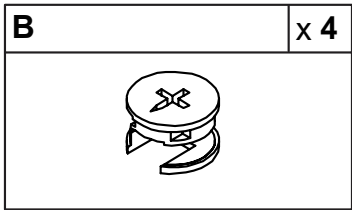
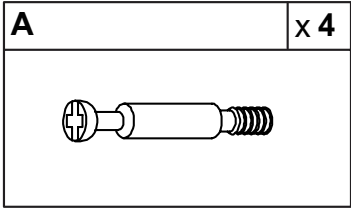
The Accessoriess



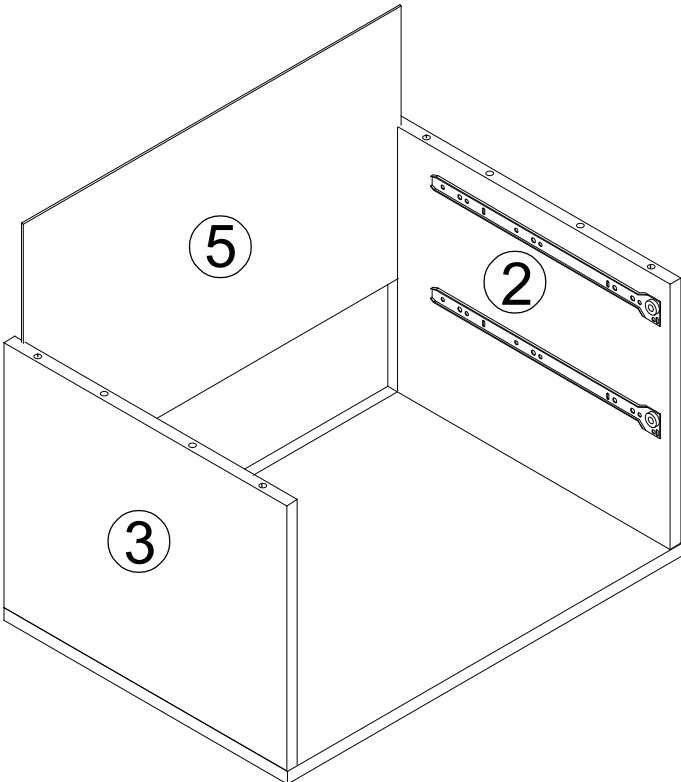
Step 1



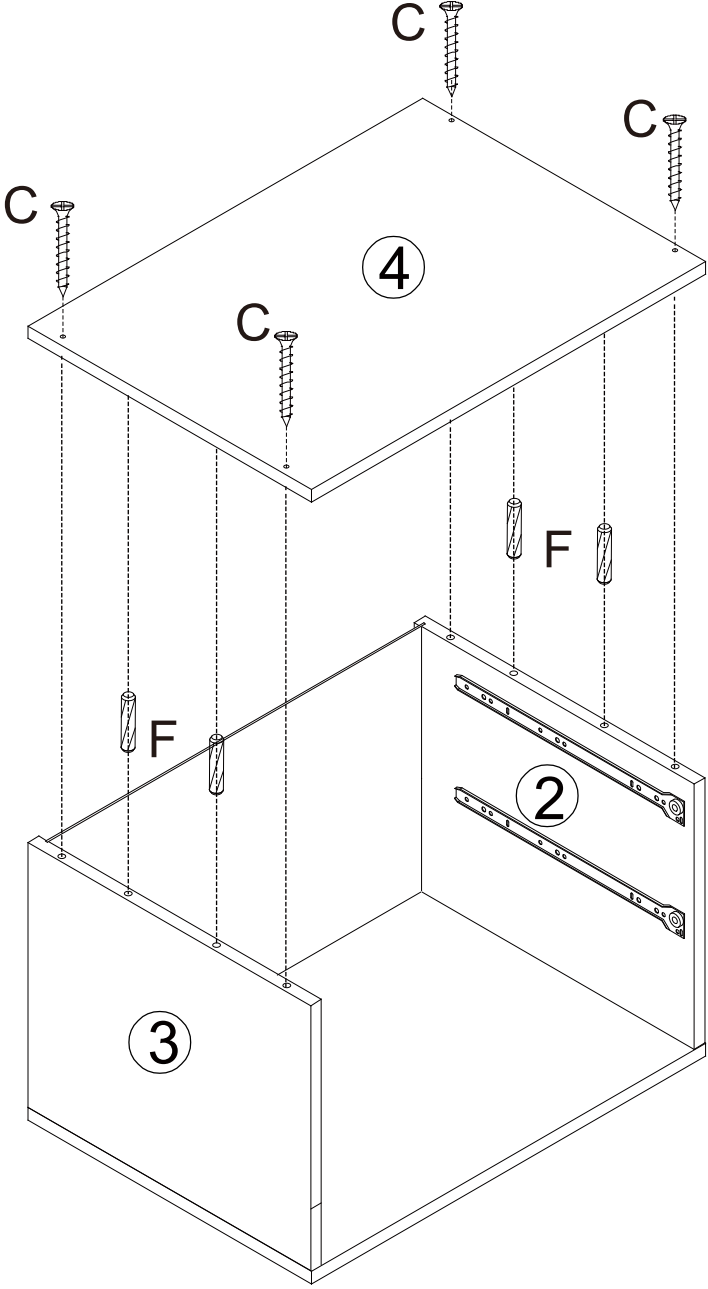
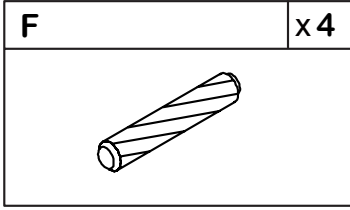
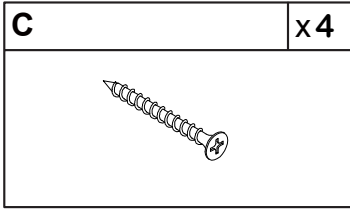
Step 2



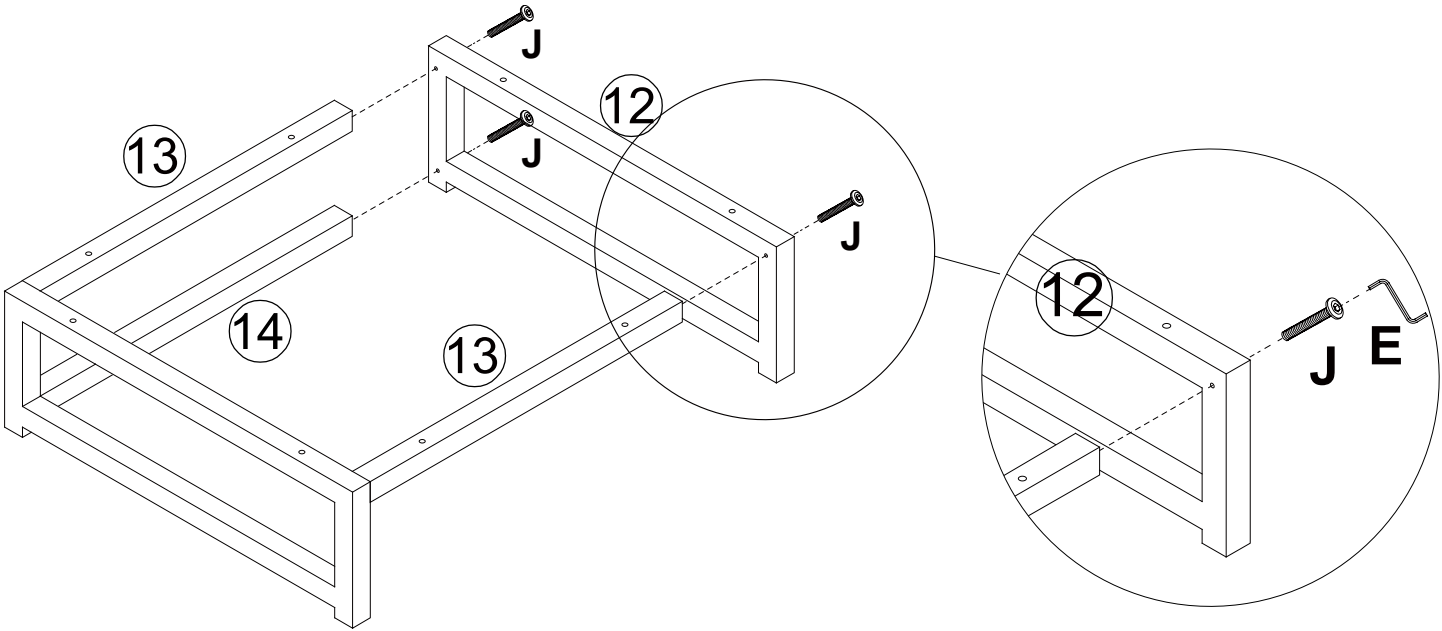
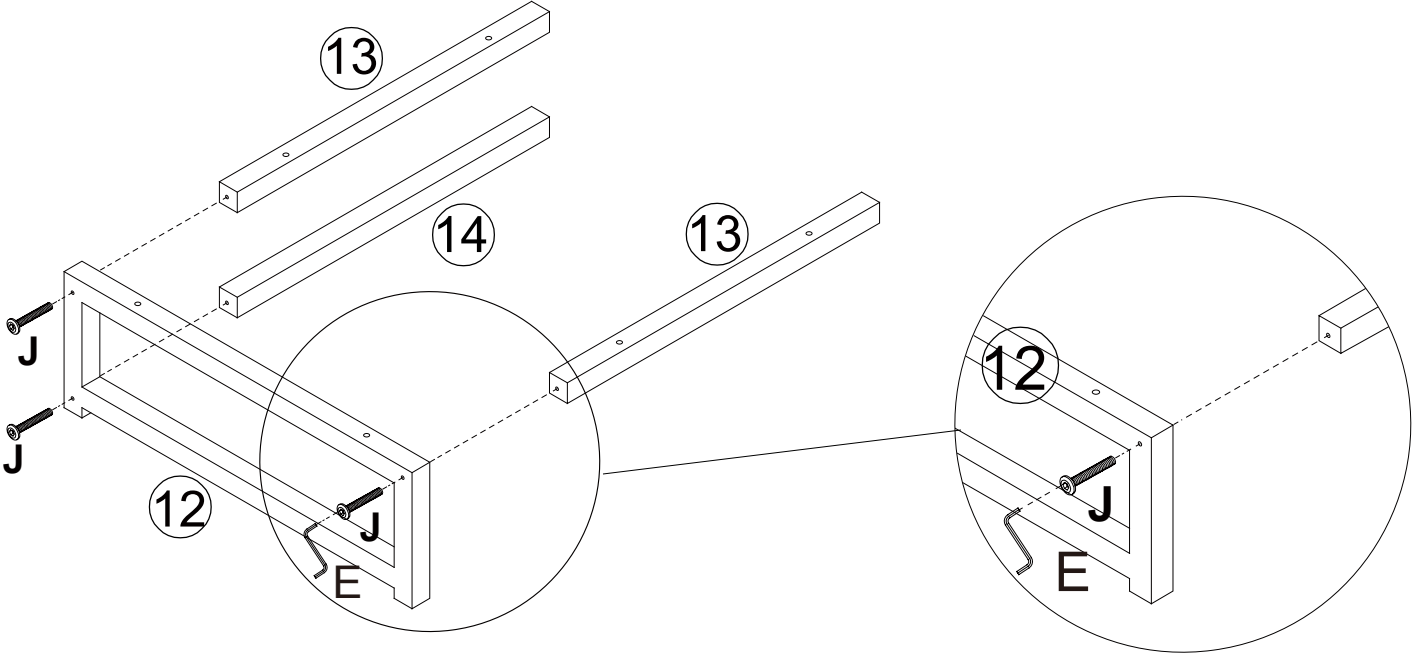
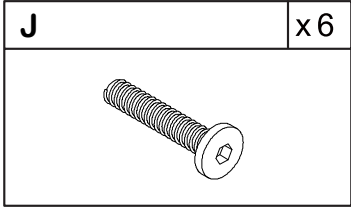
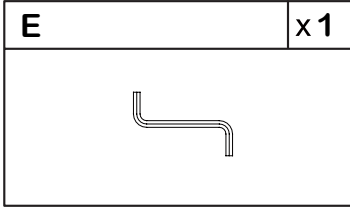
Step 3




Step 4

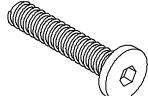


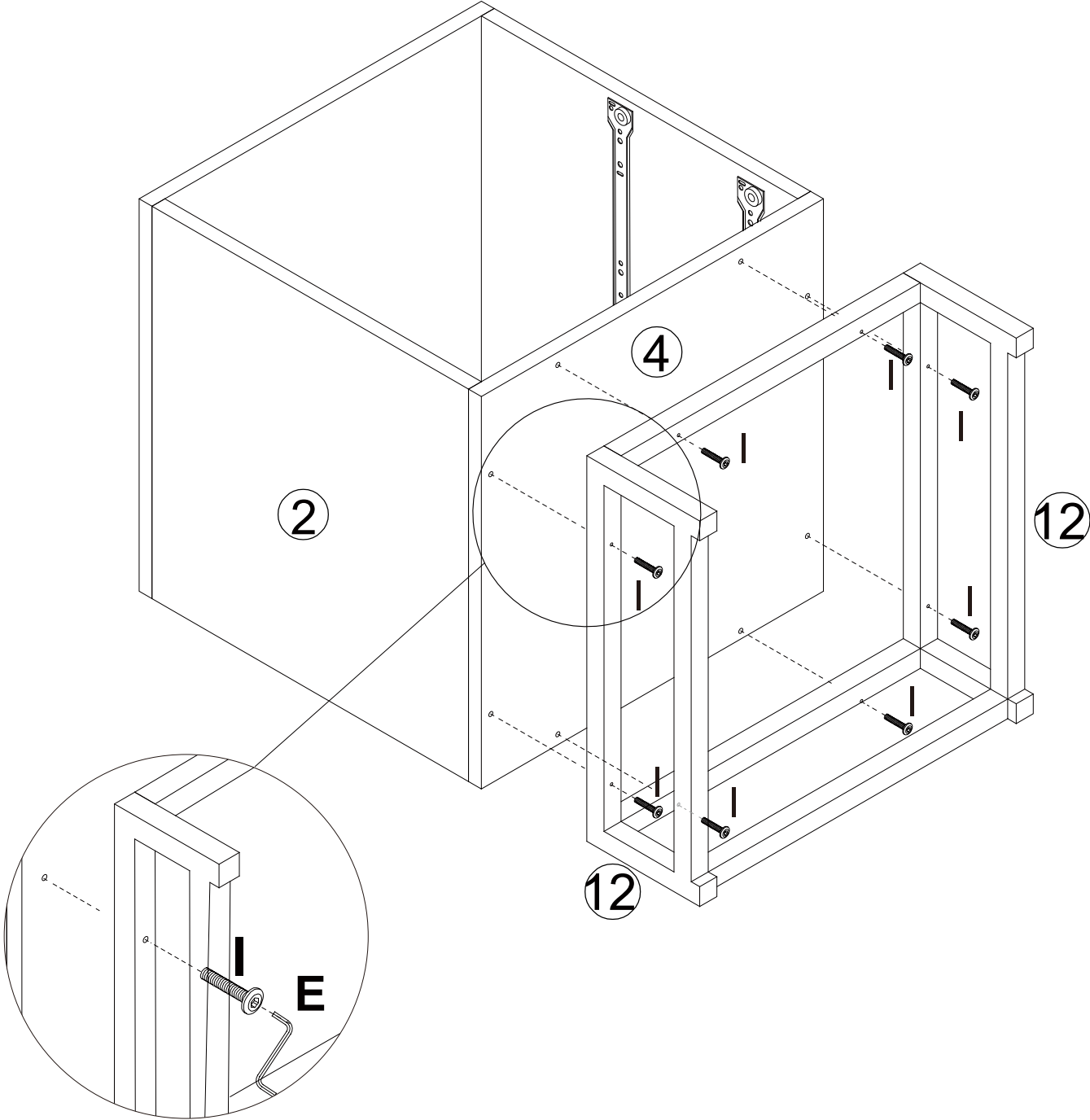
Step 5



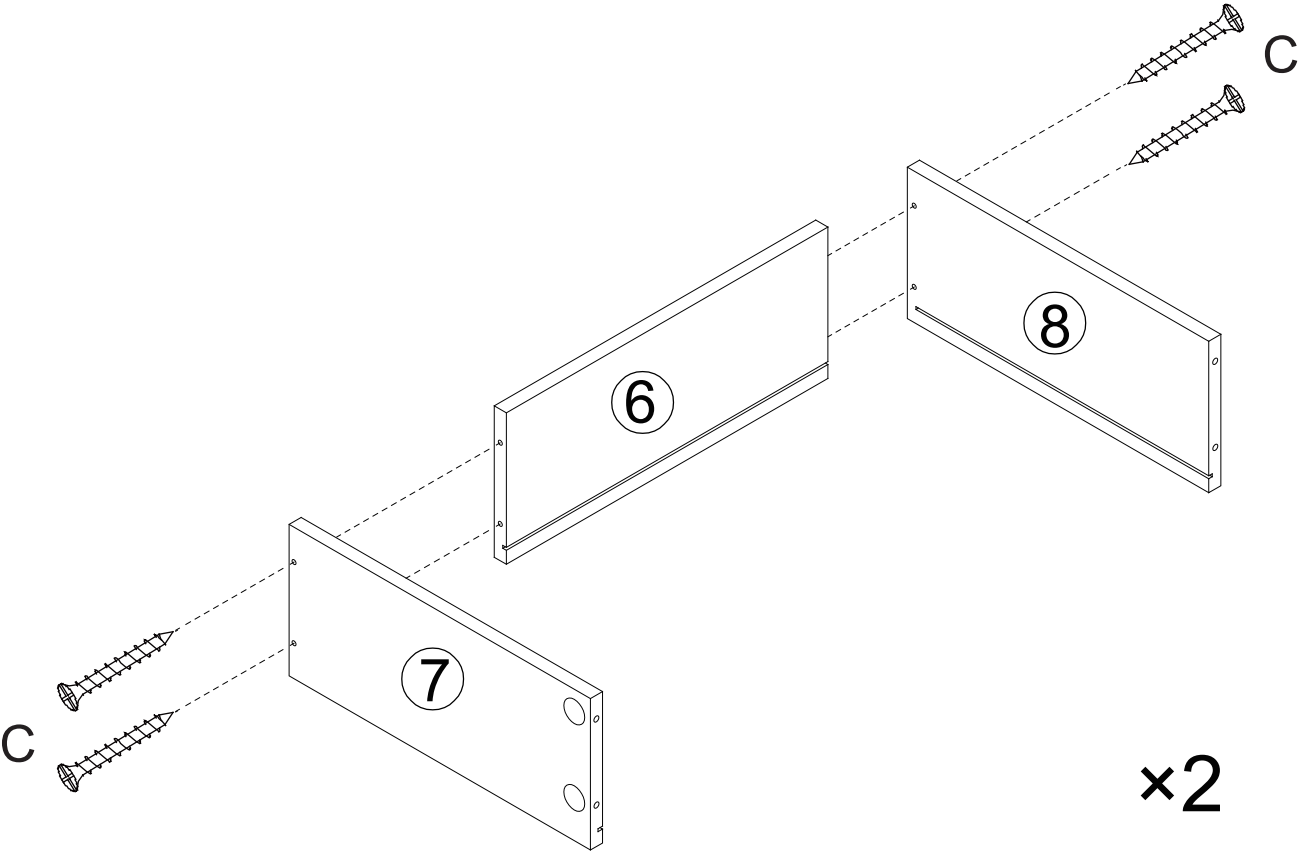
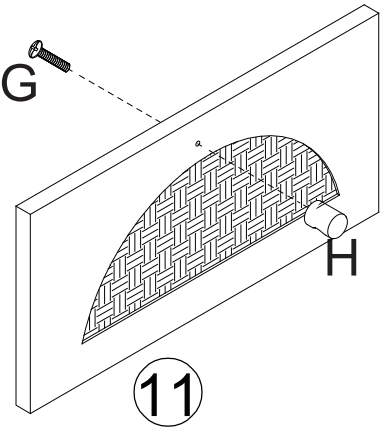
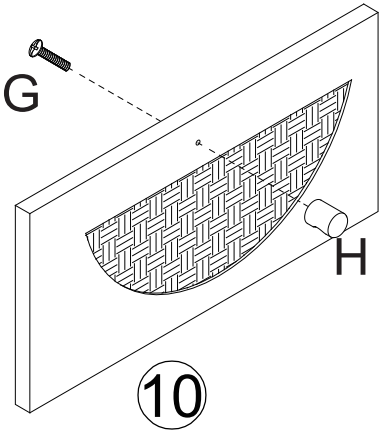
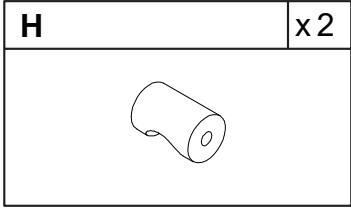
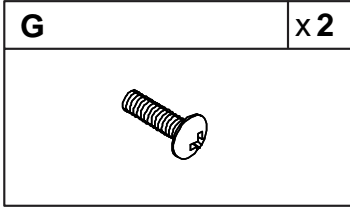
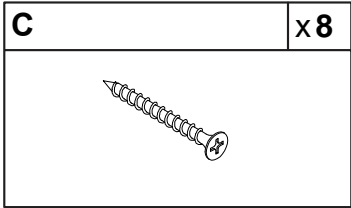
Step 6

E	x1
	

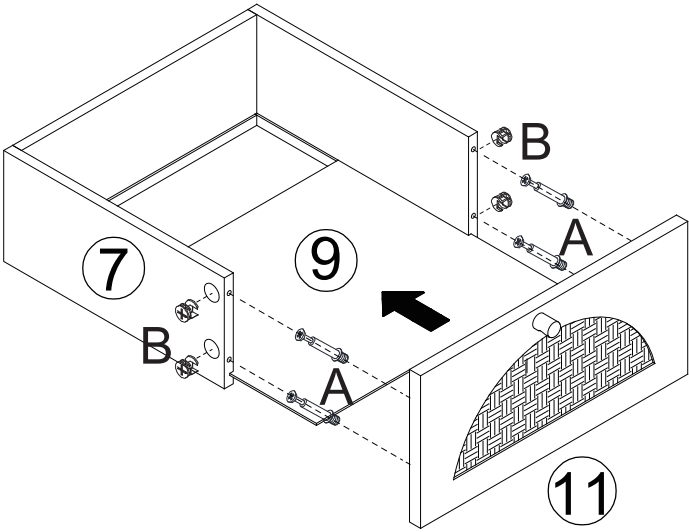
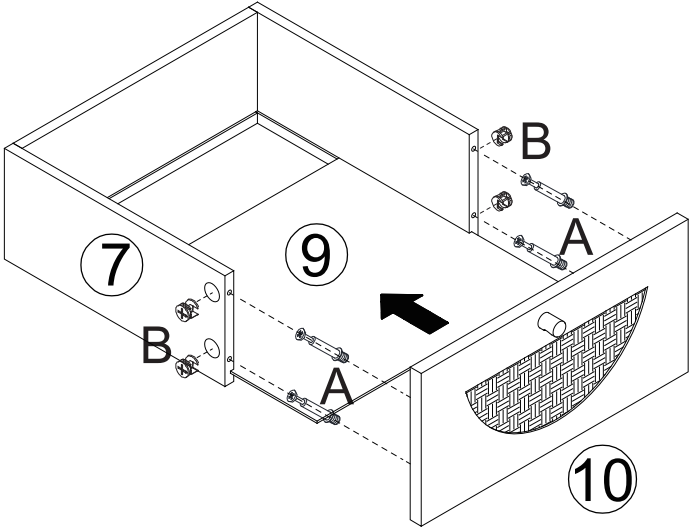
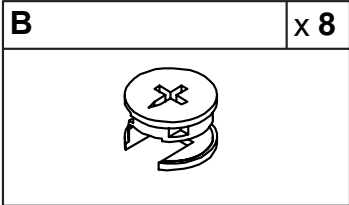
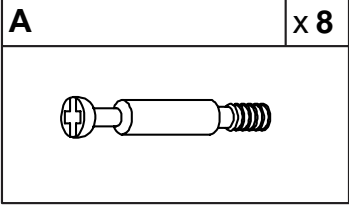
I	x8
	



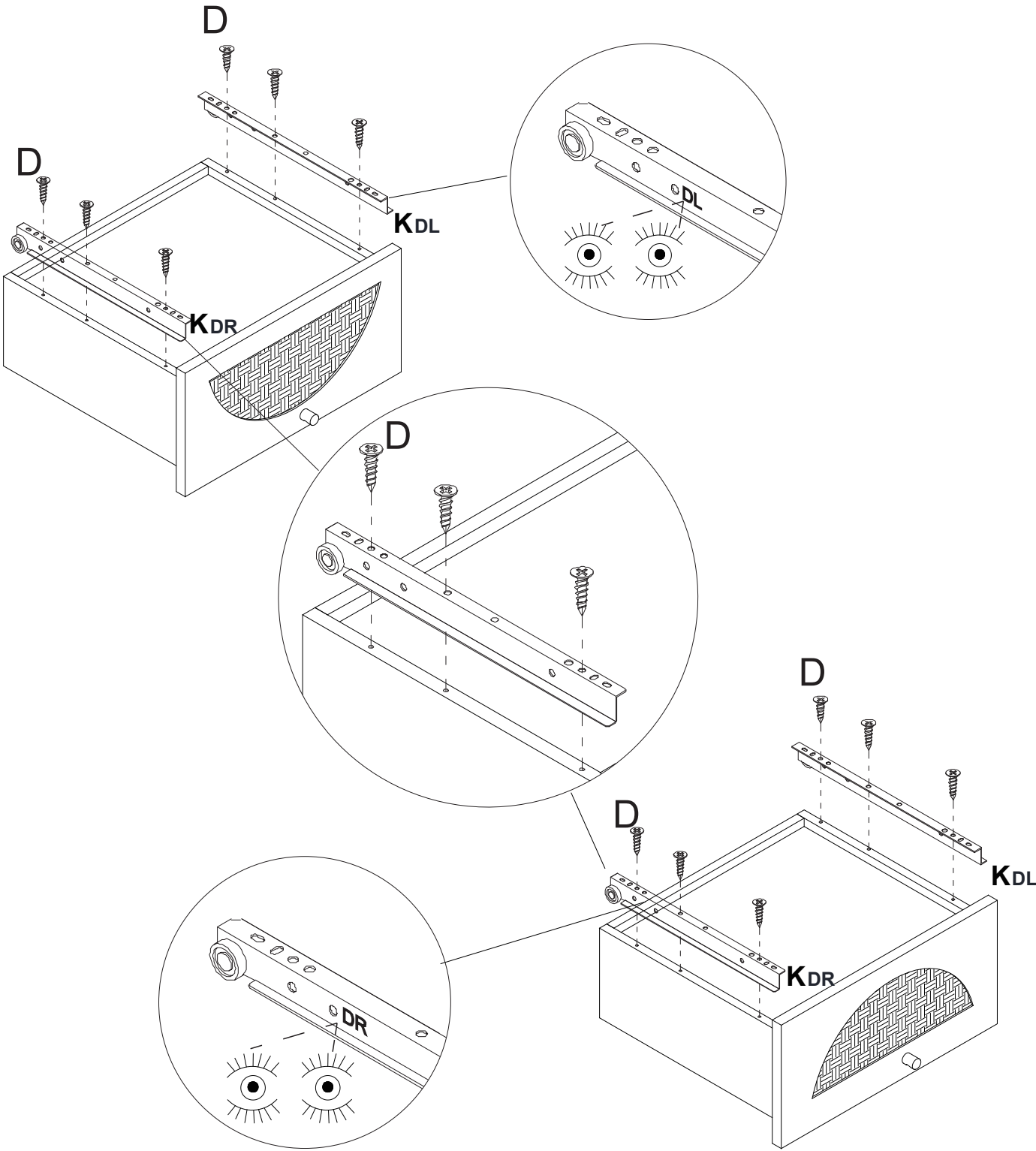
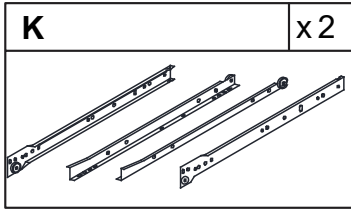
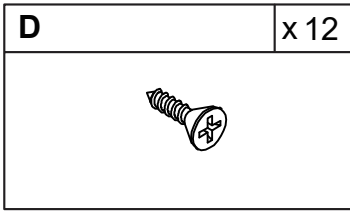
Step 7



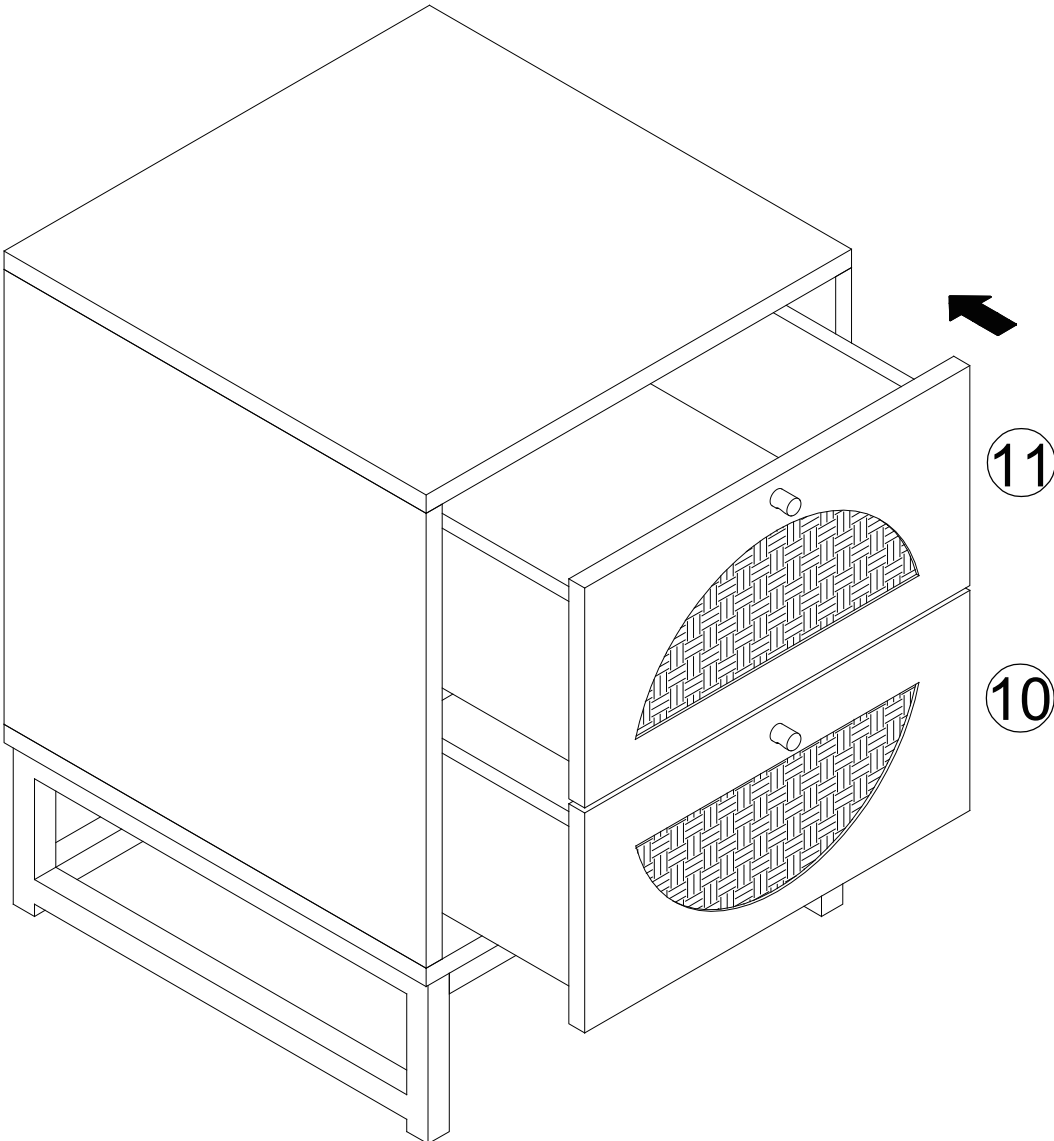
Step 8



Step 9



Step 10



Proper Use

- DO NOT** use for commercial purposes
- DO NOT** use as a step stool or stand on table
- DO NOT** put hot serving liquid directly on the table top
- DO NOT** leave spilled liquid on the table top
- DO NOT** use table if damaged
- DO NOT** exceed weight limit
- DO NOT** make temporary repairs
- DO NOT** use outdoor