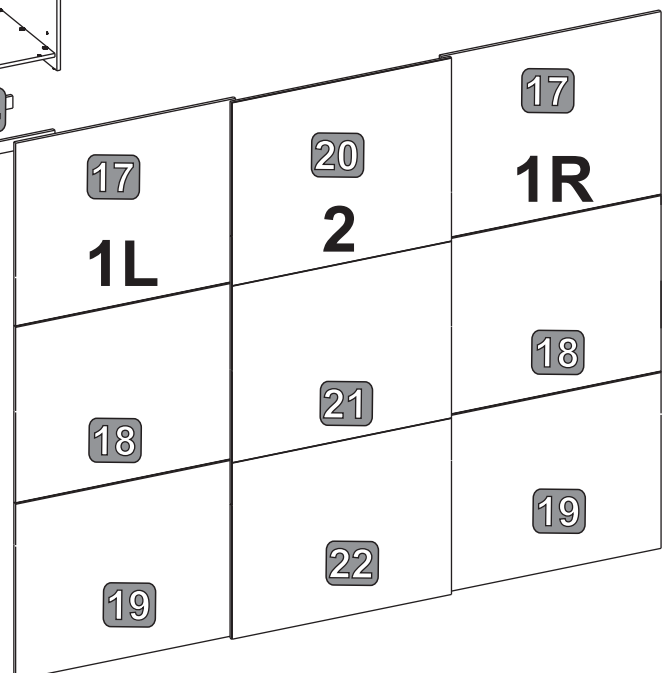
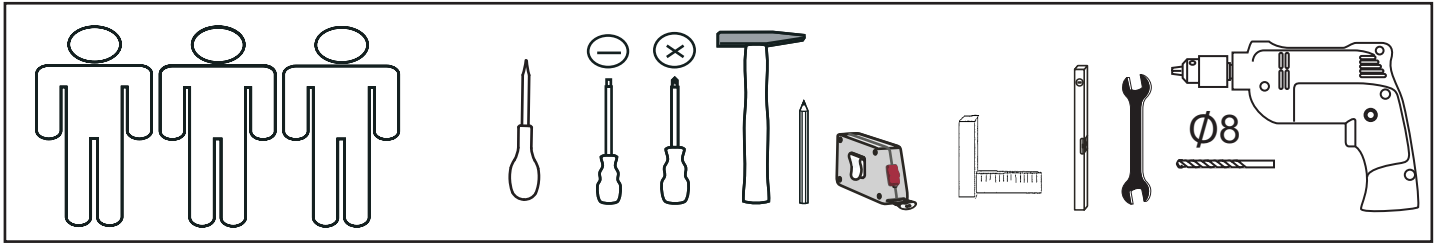






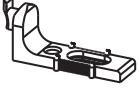







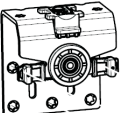
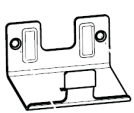



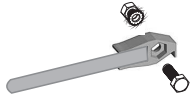







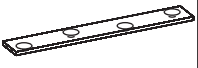
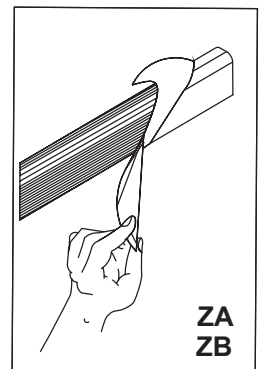
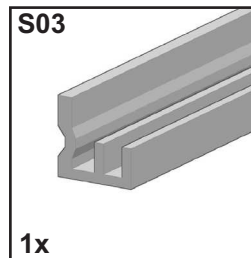
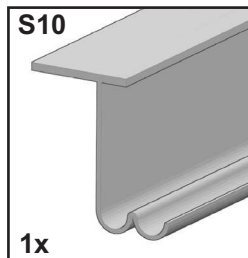
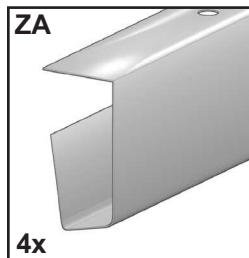
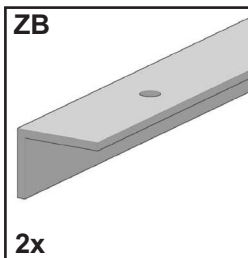


NR	DIM	QTE	COLLI
1	2095x551x15	1	2/6
2	2095x551x15	1	2/6
3	2094x535x15	1	3/6
4	2094x535x15	1	3/6
5	827x515x22	2	1/6
6	986x515x22	1	2/6
7	827x535x15	2	1/6
8	986x535x15	1	3/6
9	827x535x15	2	1/6
10	986x535x15	1	3/6
11	2033x834x2	2	2/6
12	2033x993x2	1	3/6
13	827x50x15	2	1/6
14	827x50x15	2	1/6
15	986x50x15	1	2/6
16	986x50x15	1	2/6
17	920x683x15	2	4/6
18	920x683x15	2	4/6
19	920x683x15	2	4/6
20	920x683x15	1	5/6
21	920x683x15	1	5/6
22	920x683x15	1	5/6
ZA	L-2050	4	6/6
ZB	L-2050	2	6/6
S10	L-2668	1	6/6
S03	L-2668	1	6/6





 48x T05	 48x T04	 1x K01	 5x40 18x W16	 18x C02	 36x R01	 24x R02
 6,3x10 24x W20	 20x S01	 6x E03	 L-978 1x J01	 L-818 2x J02	 3,5x13 163x W02	 6x11 42x W12
 2x P-10	 2x P-07	 2x P-09	 4x P-06	 2x P-08	 2x F-02	 1x POZ
 3,5x13 13x W05	 2x P01	 4x13 4x W07	 2x F01	 2x F11	 L+R 1x G-02	 18x W08



1



20x

S01



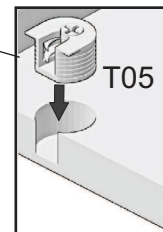
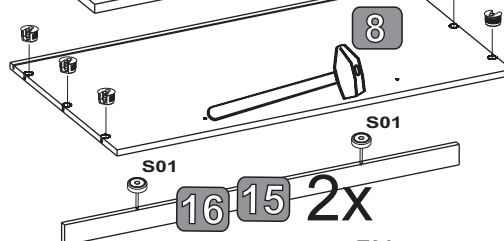
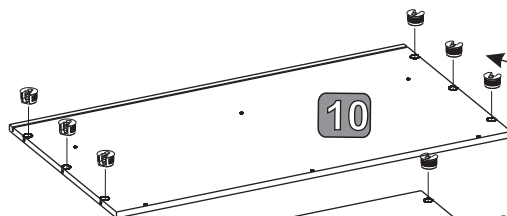
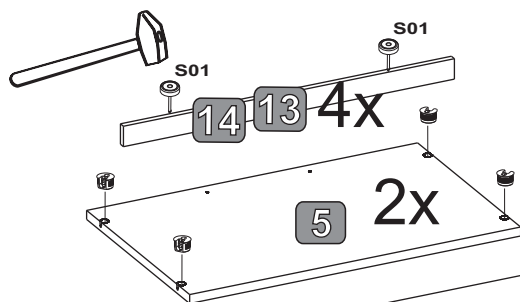
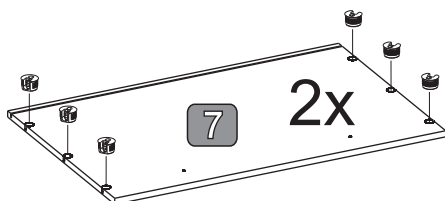
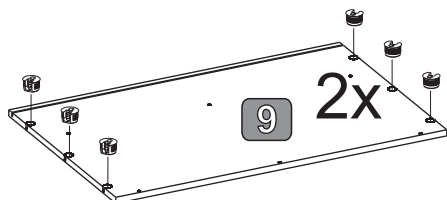
48x

T05

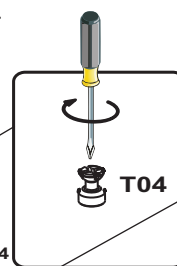
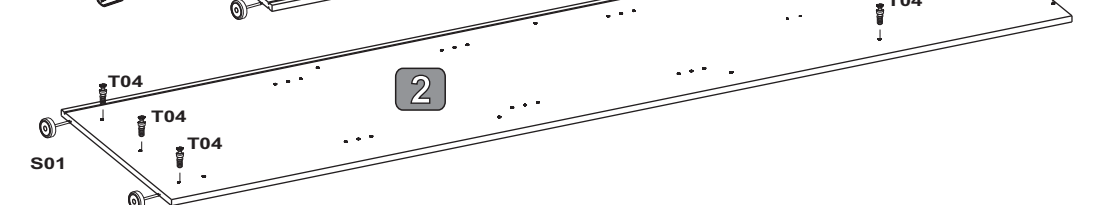
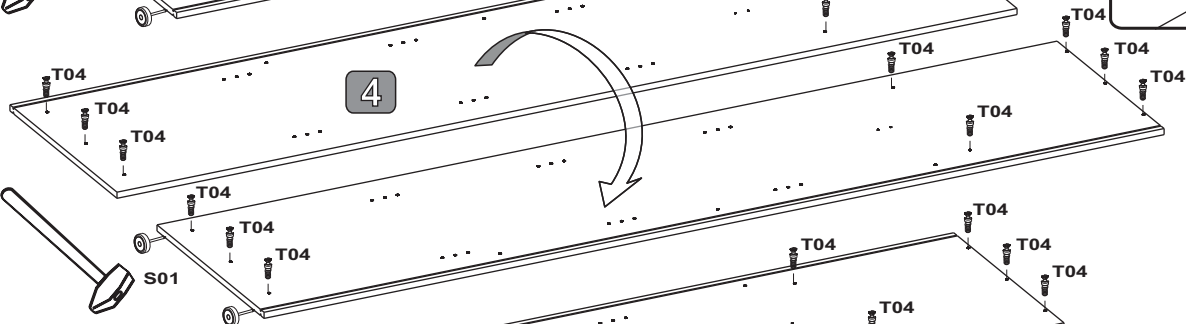
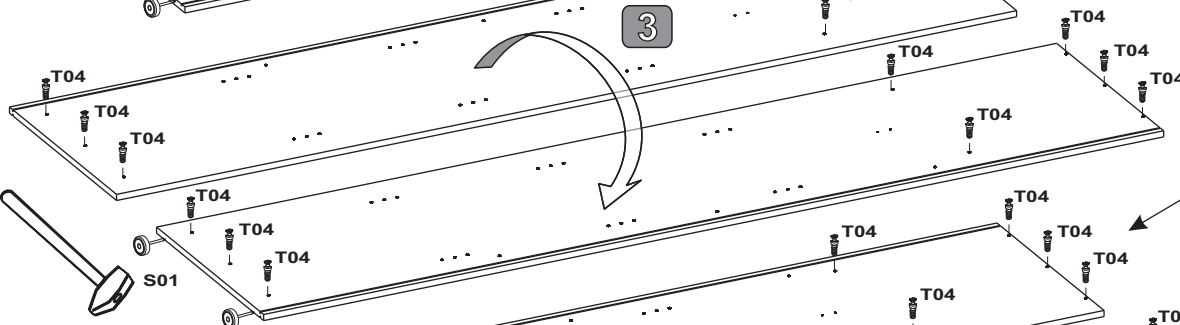
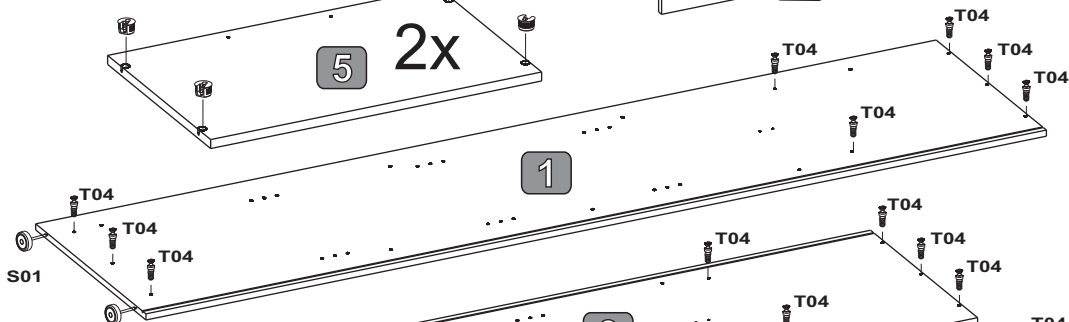


48x

T04

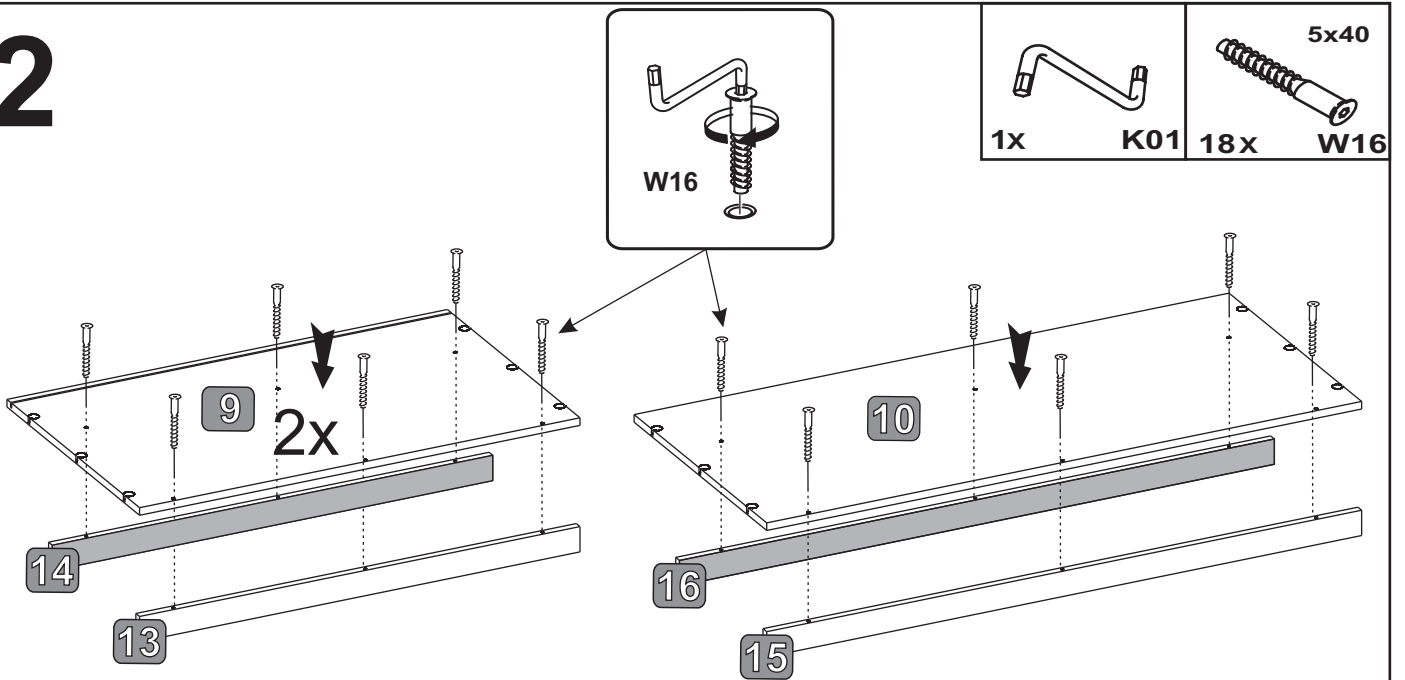


T05

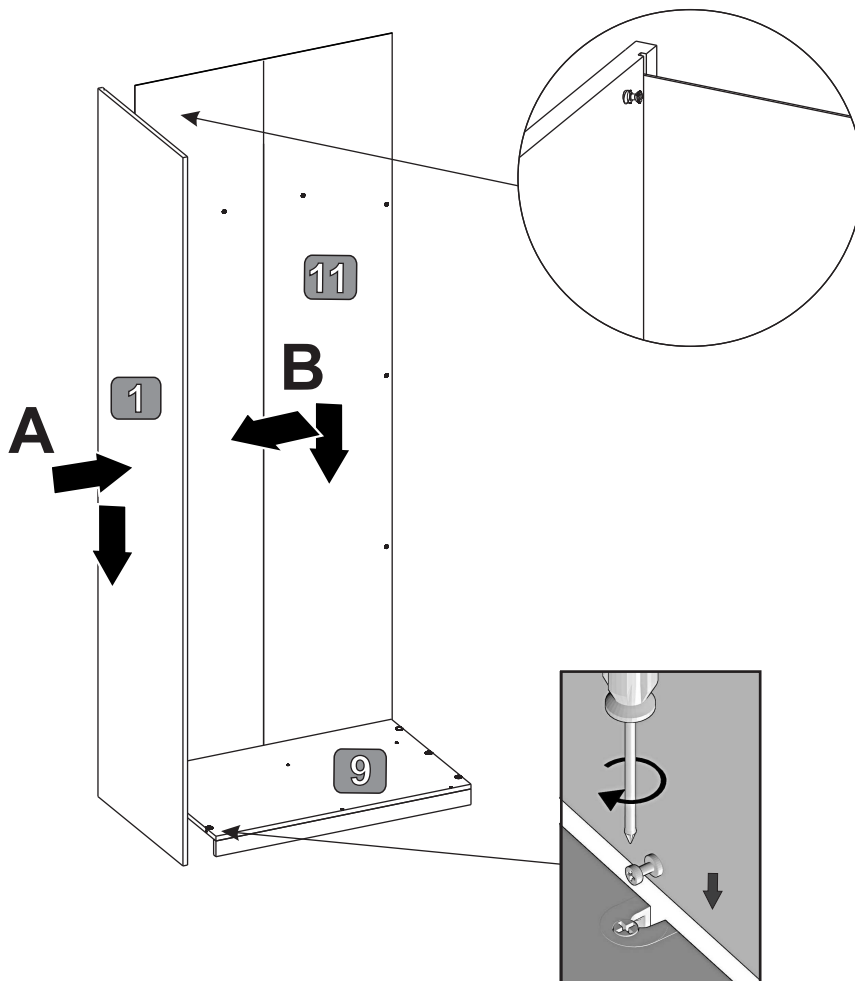


T04

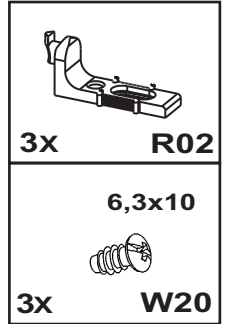
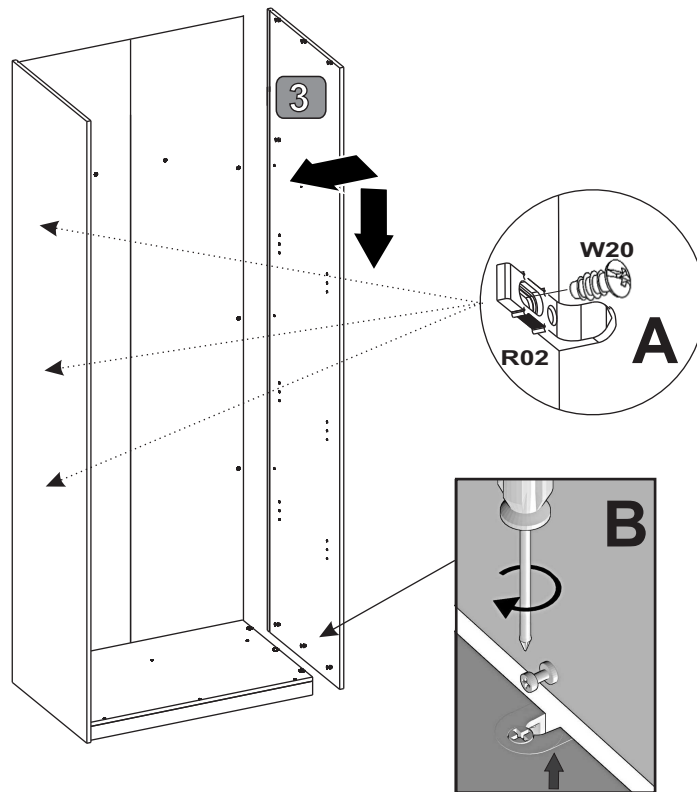
2



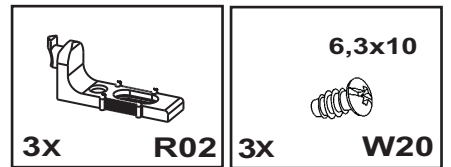
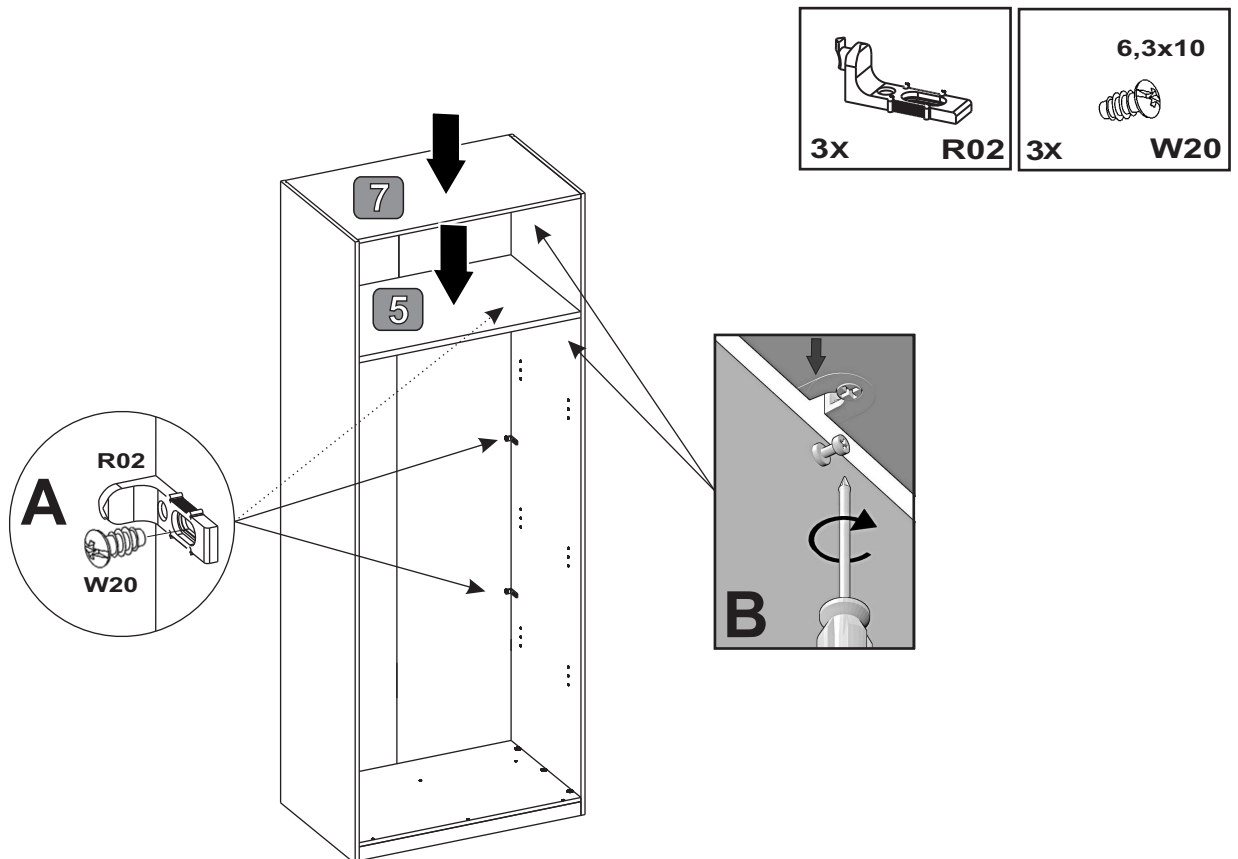
3



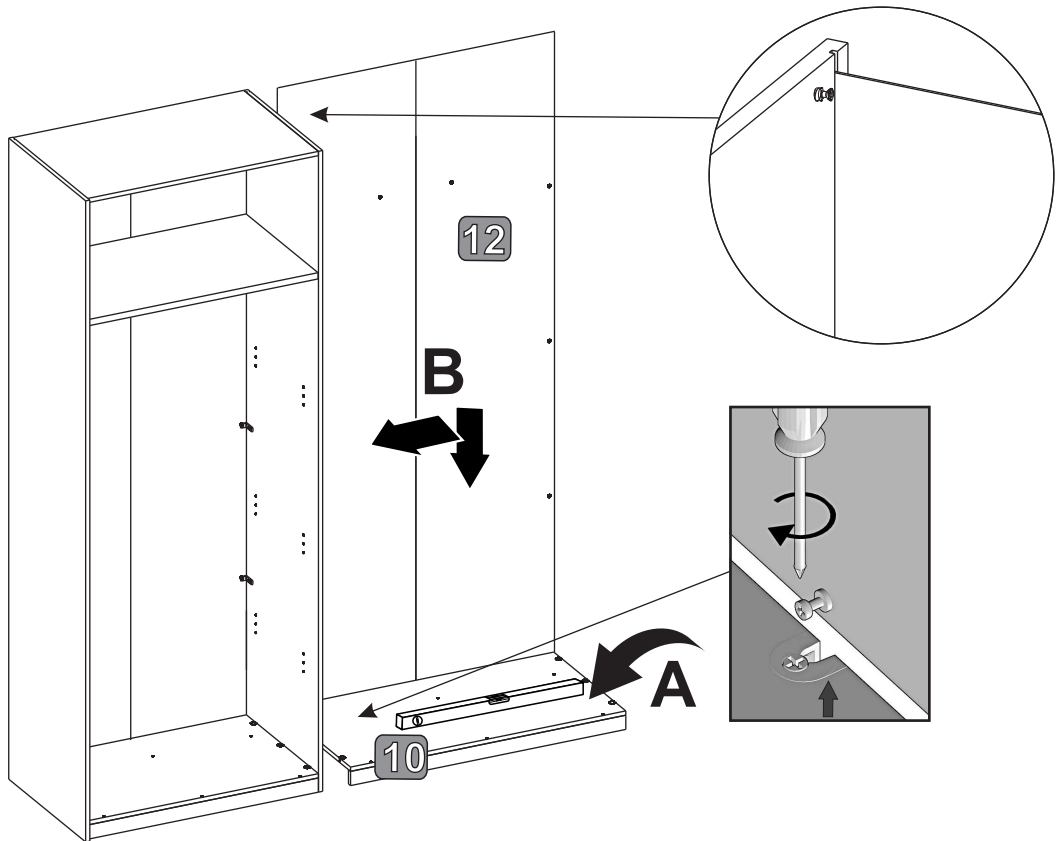
4



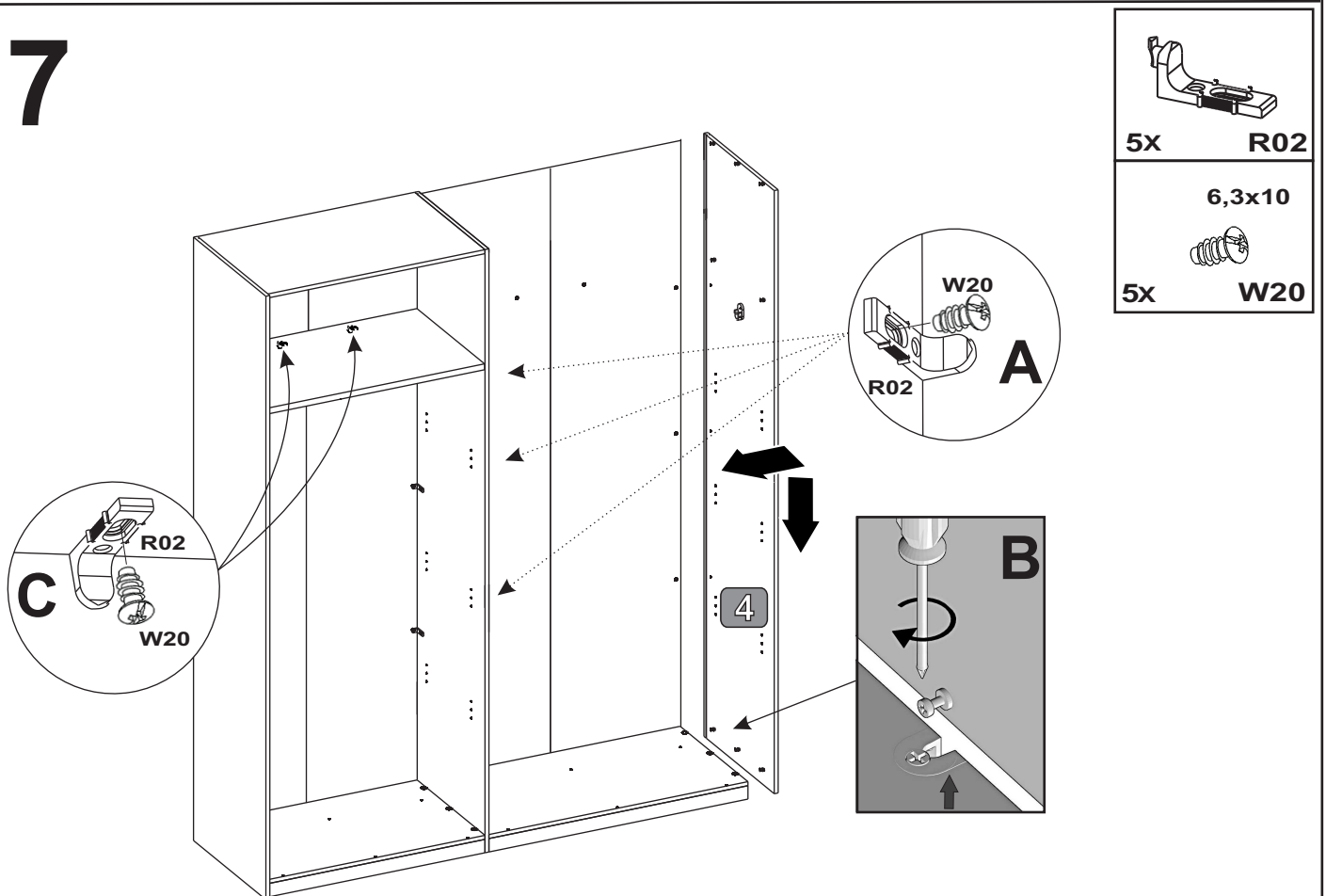
5



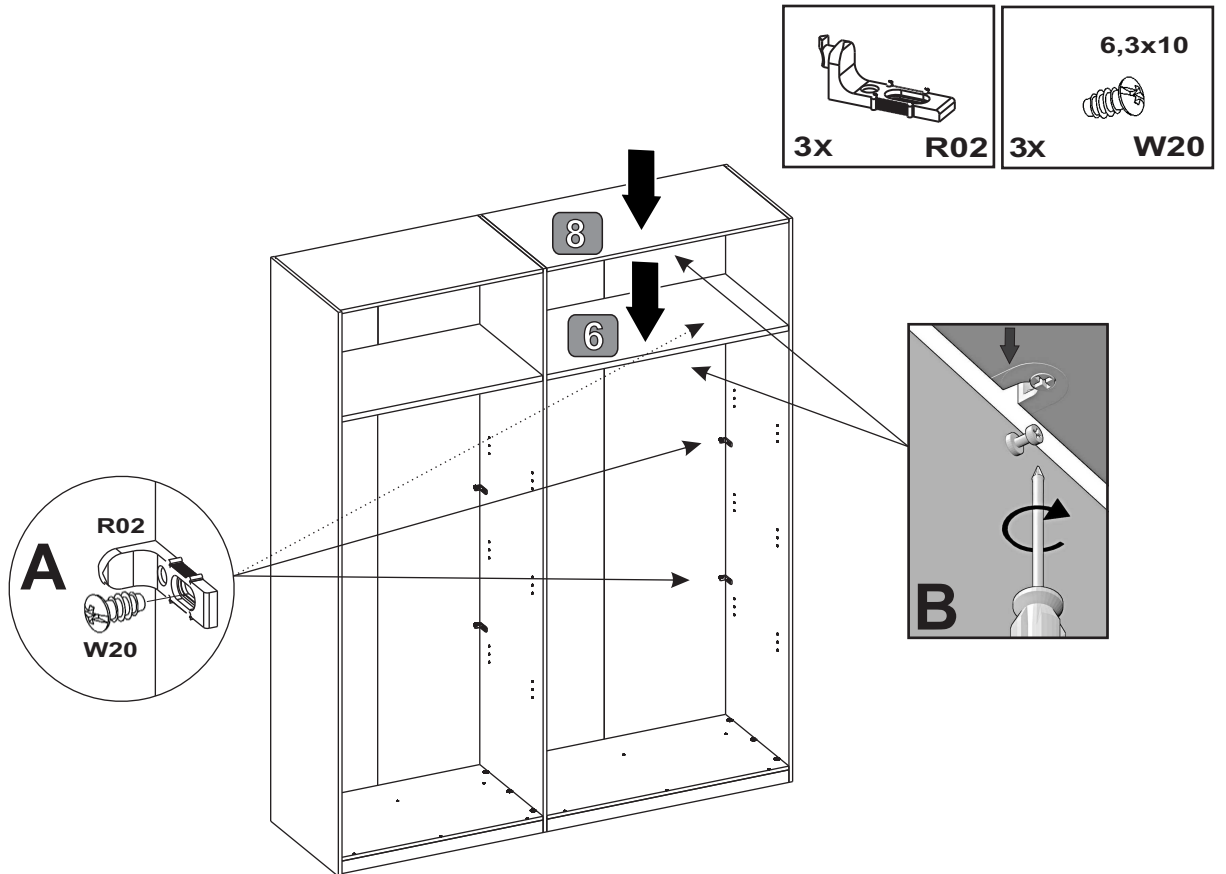
6



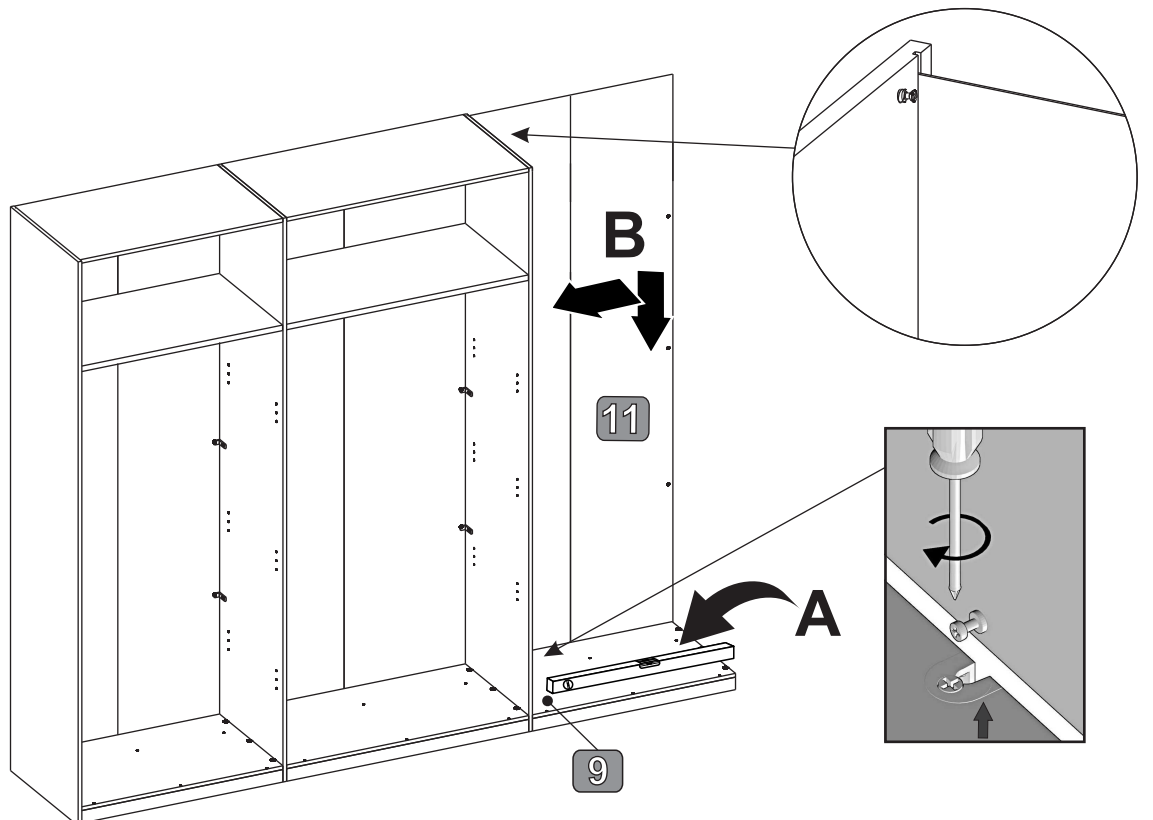
7



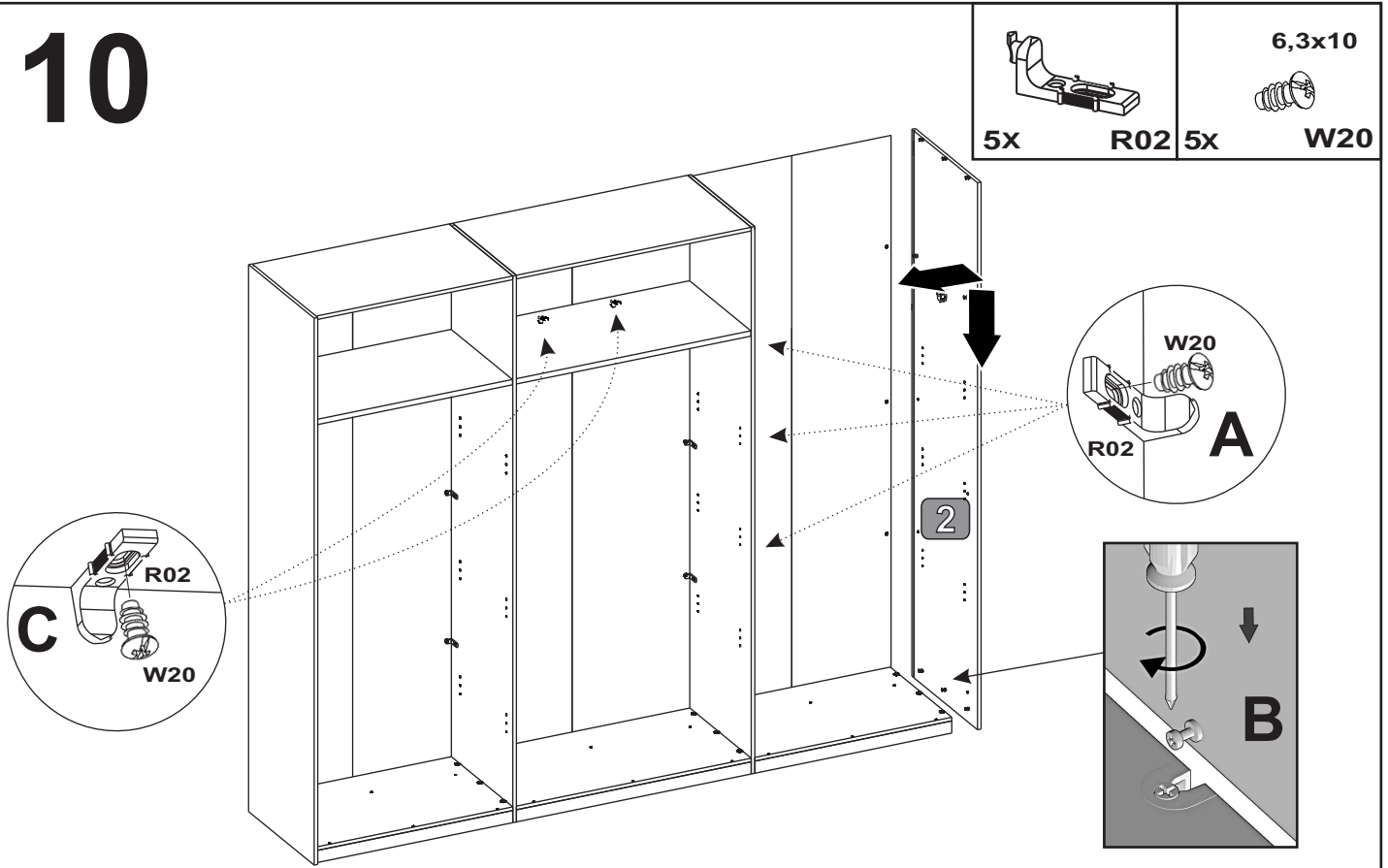
8



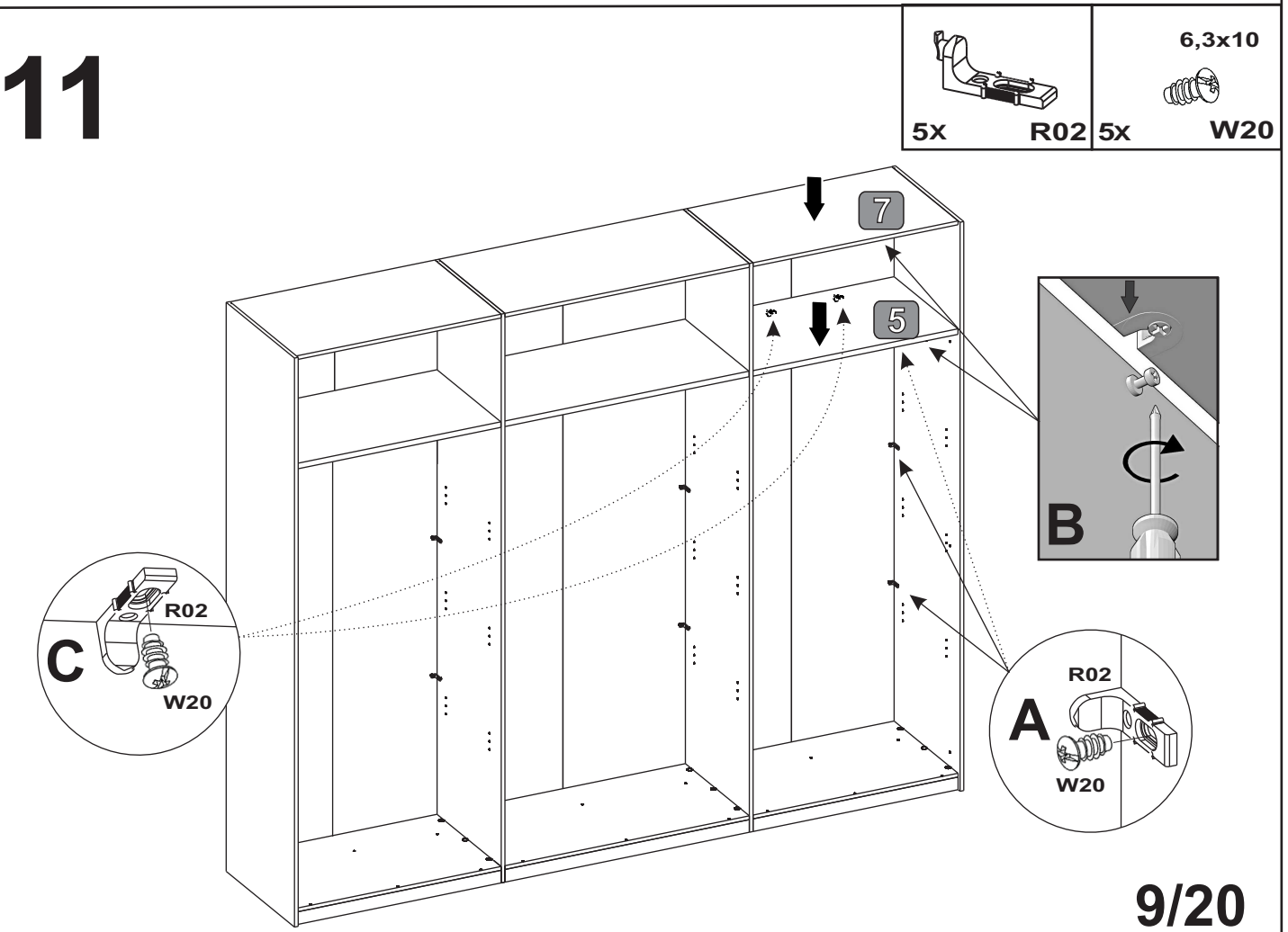
9



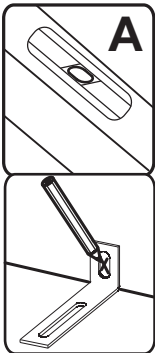
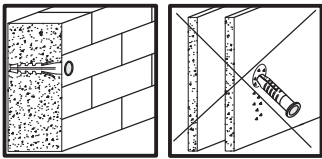
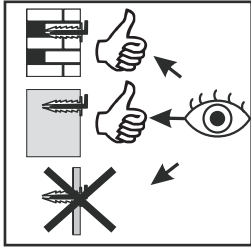
10



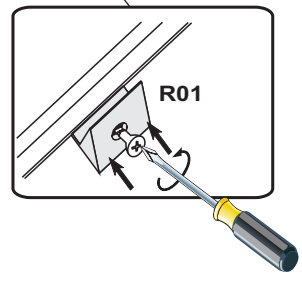
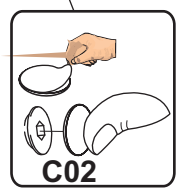
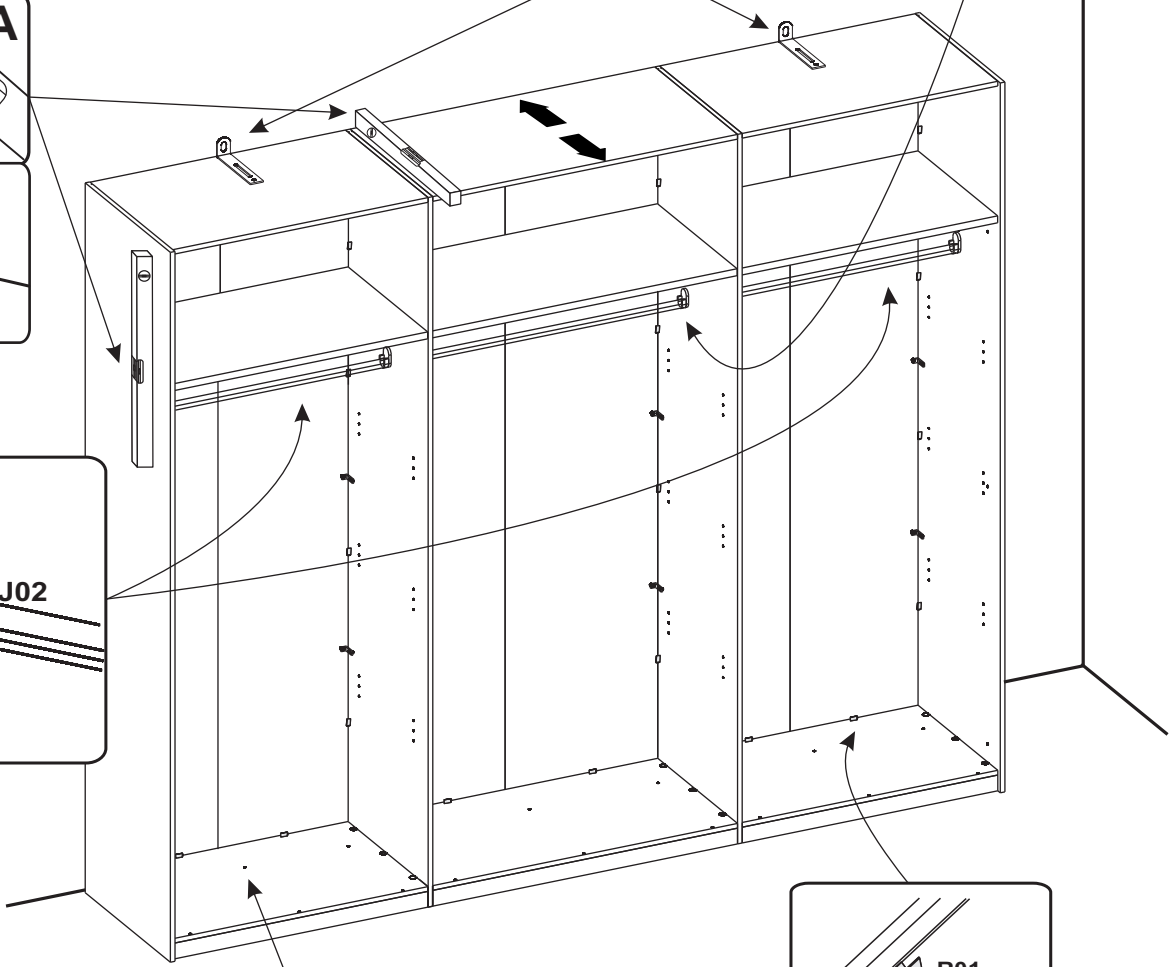
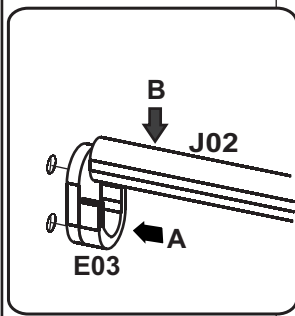
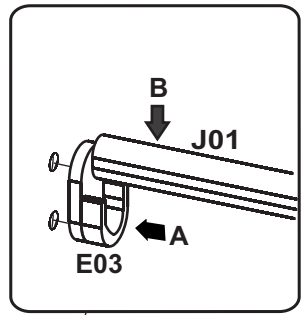
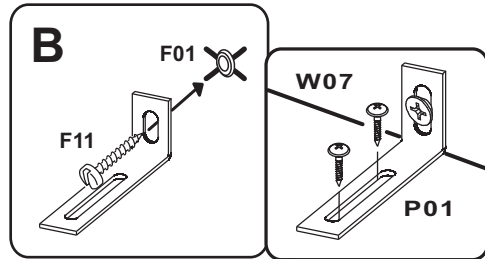
11



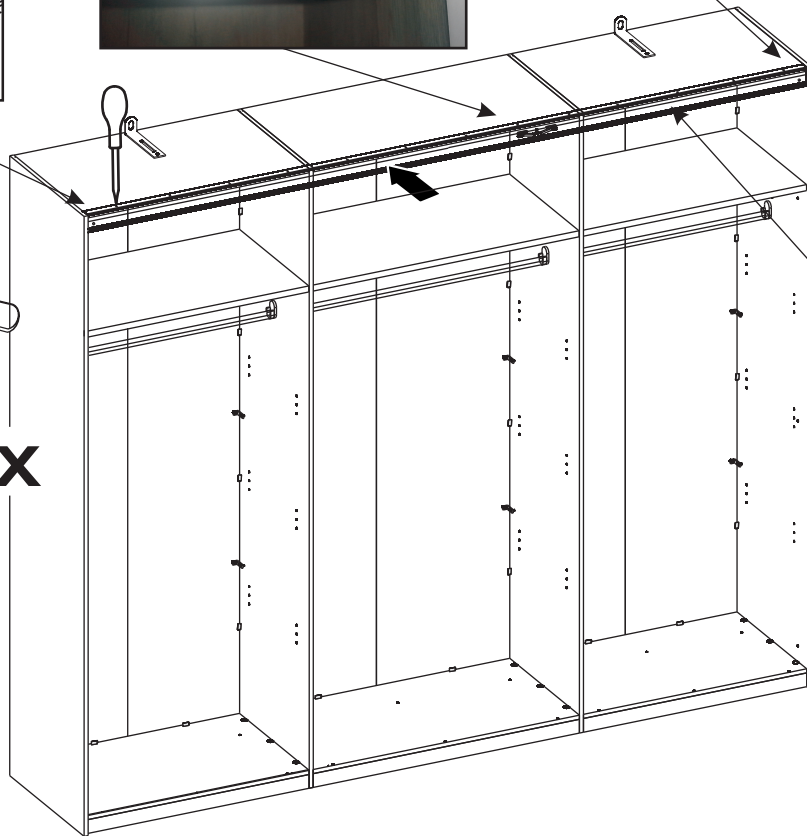
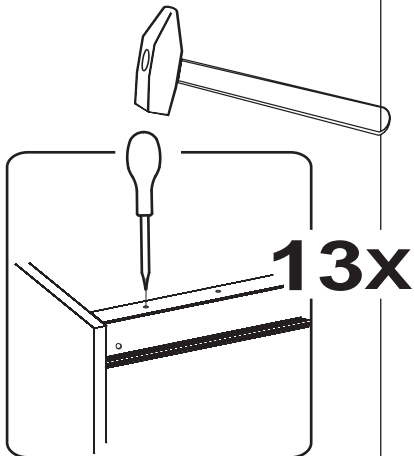
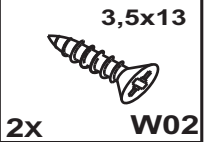
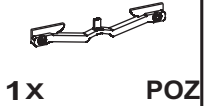
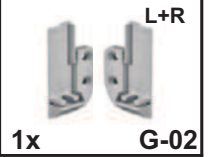
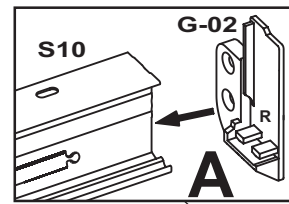
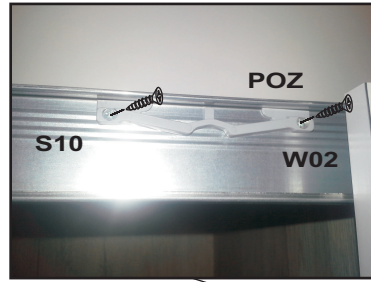
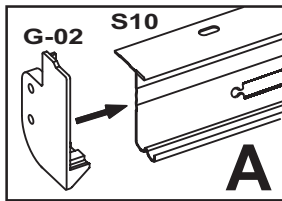
12



 36x R01	 2x F11	 2x F01	 4x W07	 2x P01
		 18x C02	 1x J01	 2x J02

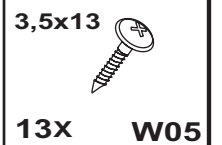
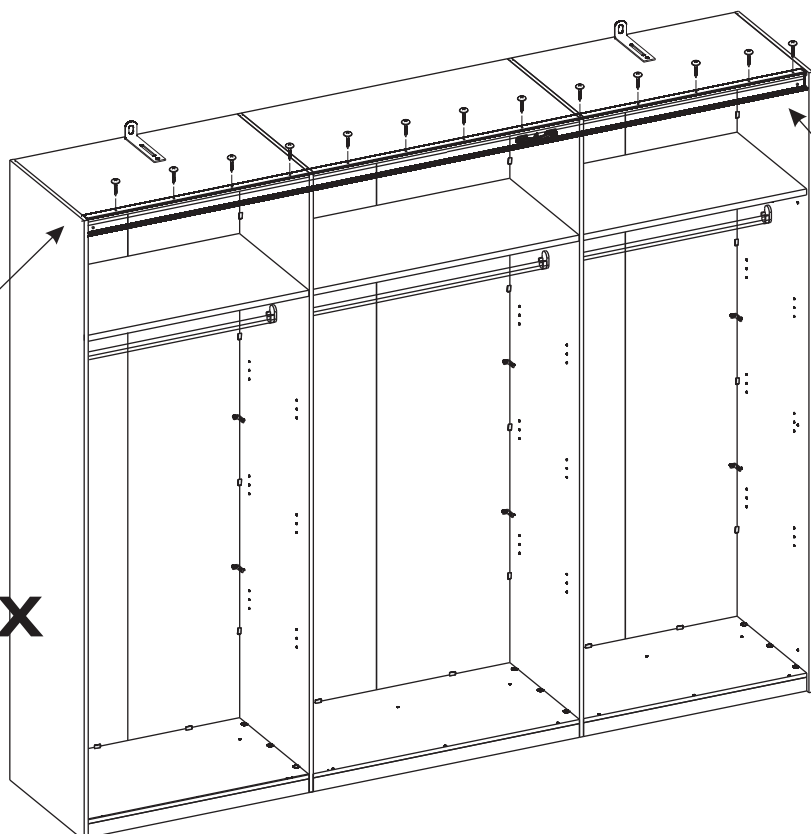
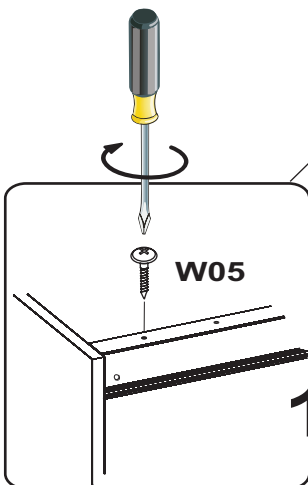


13



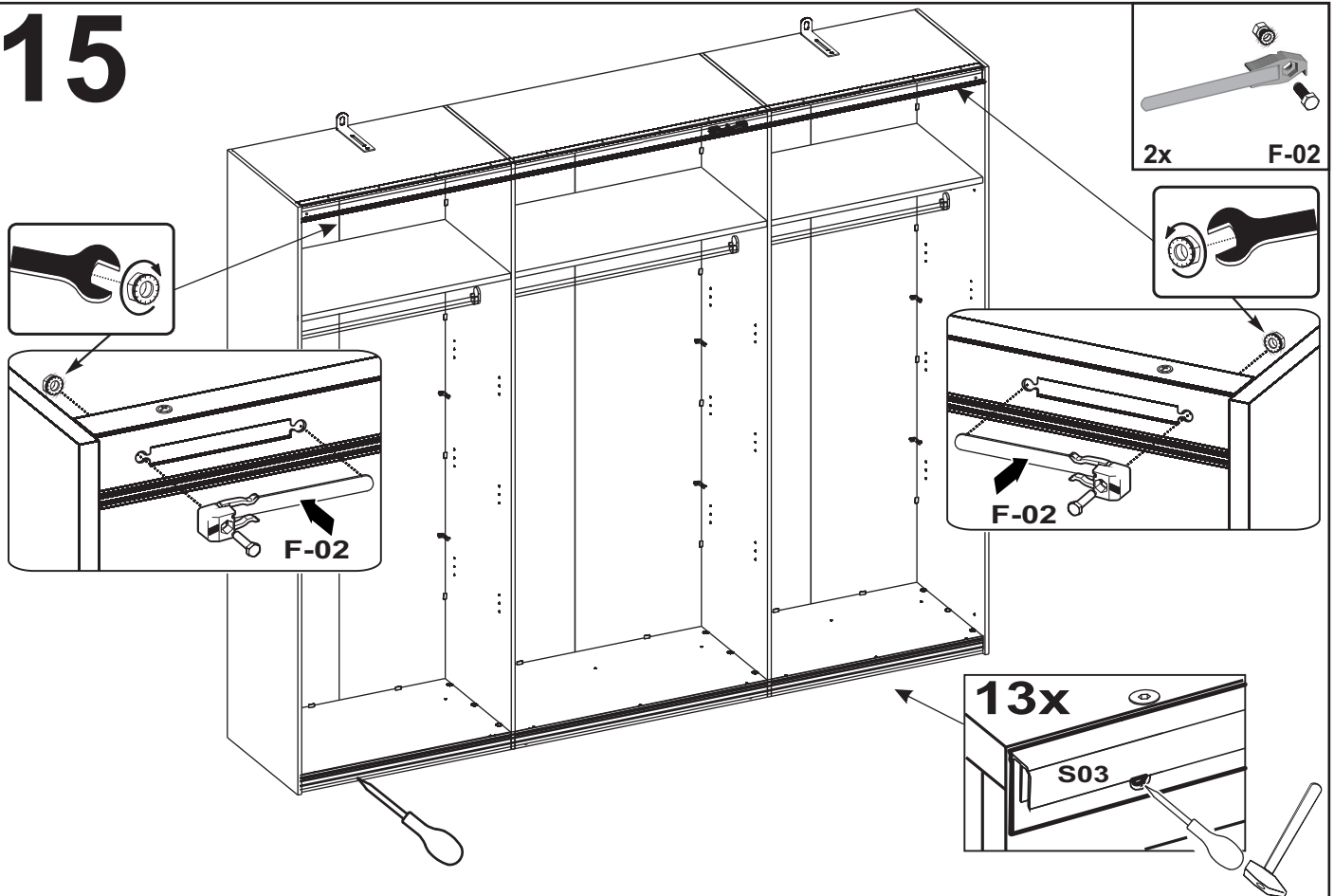
S10

14

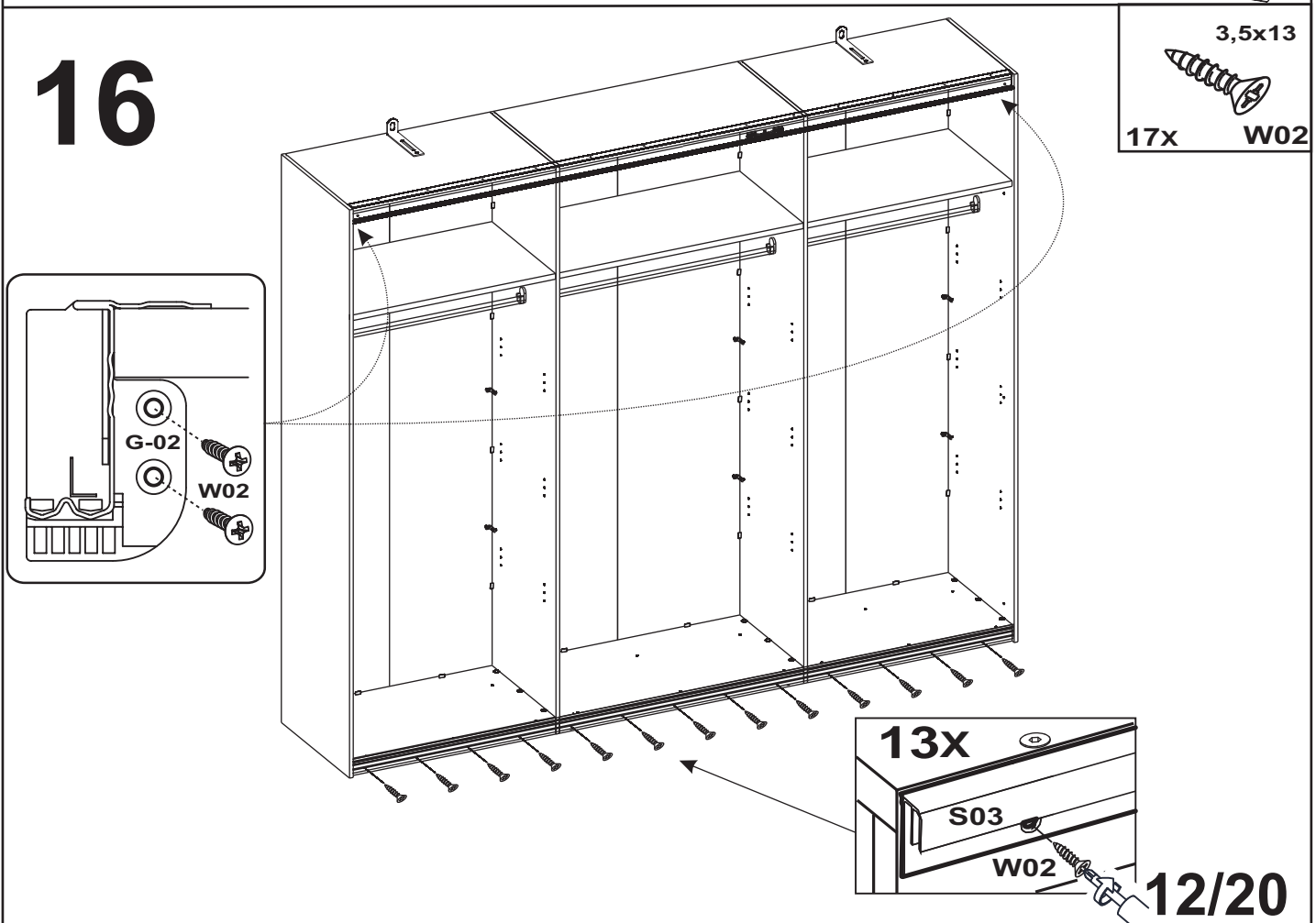


S10

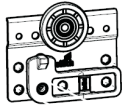


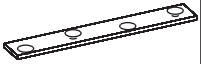
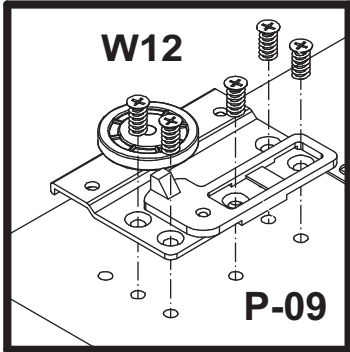

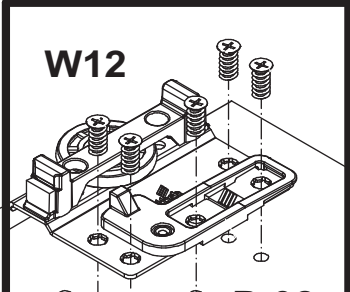

15

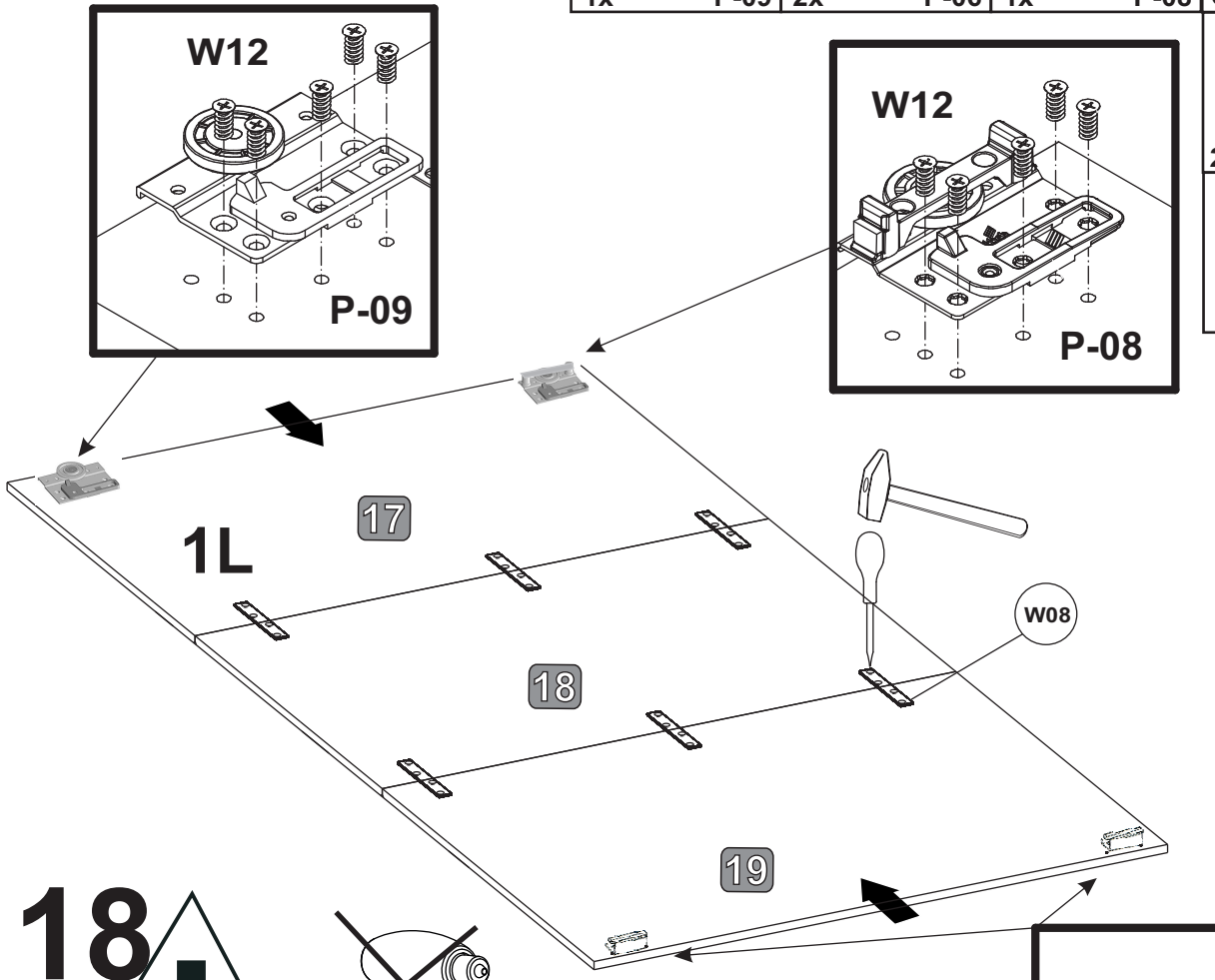


16

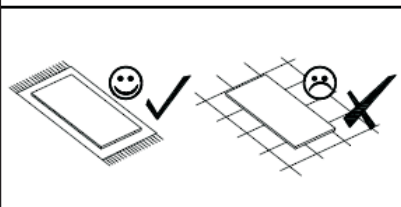
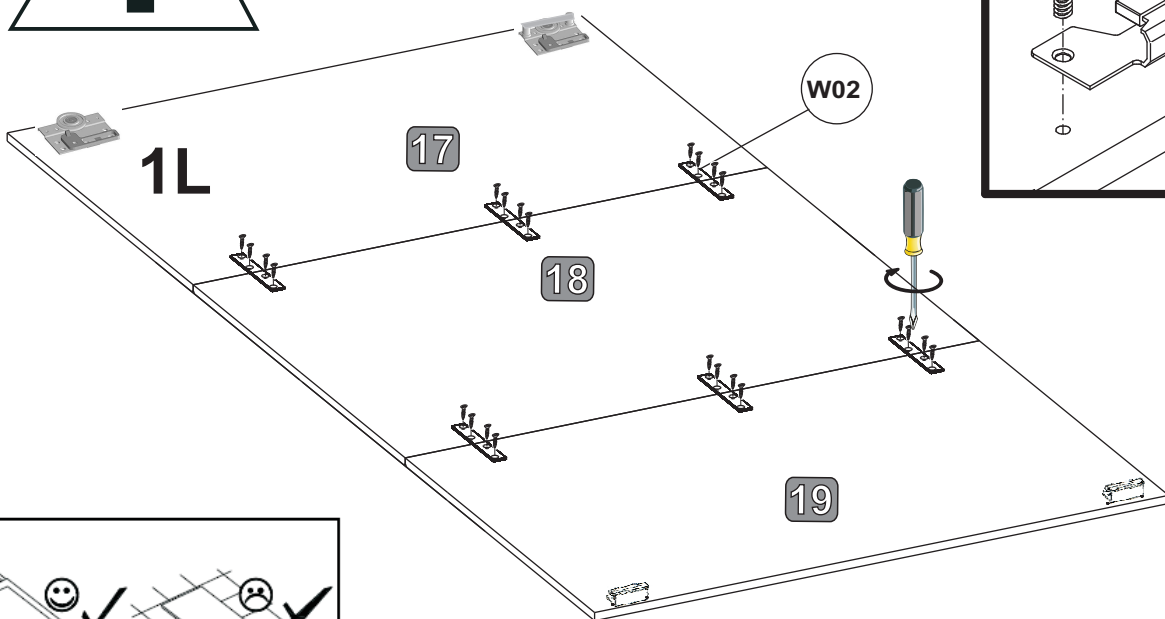
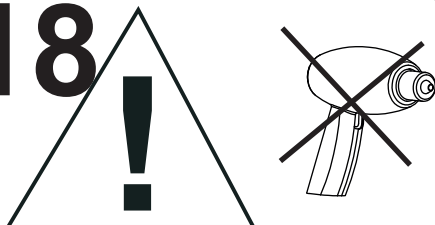


17

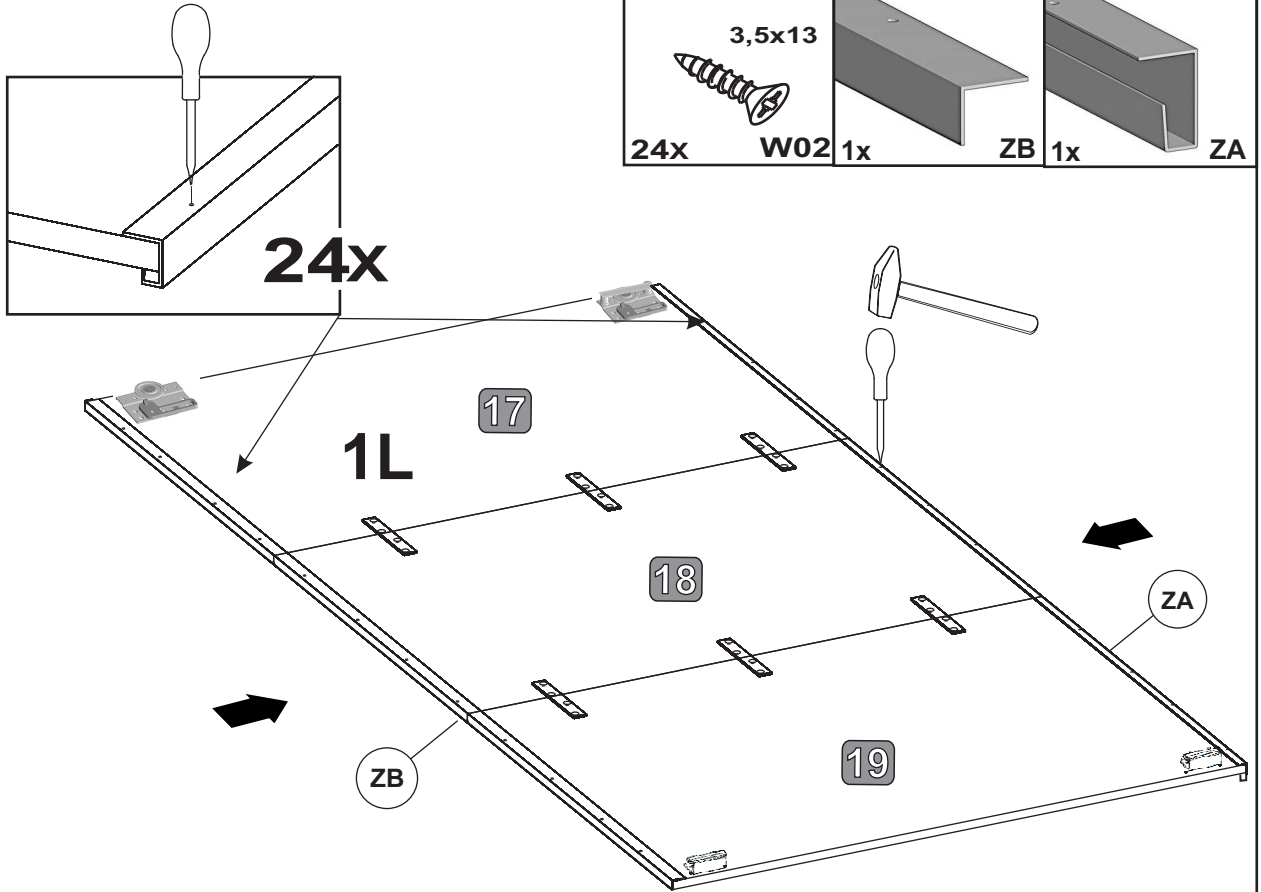
 1x P-09	 2x P-06	 1x P-08	 6x W08
			 24x W02
			 14x W12



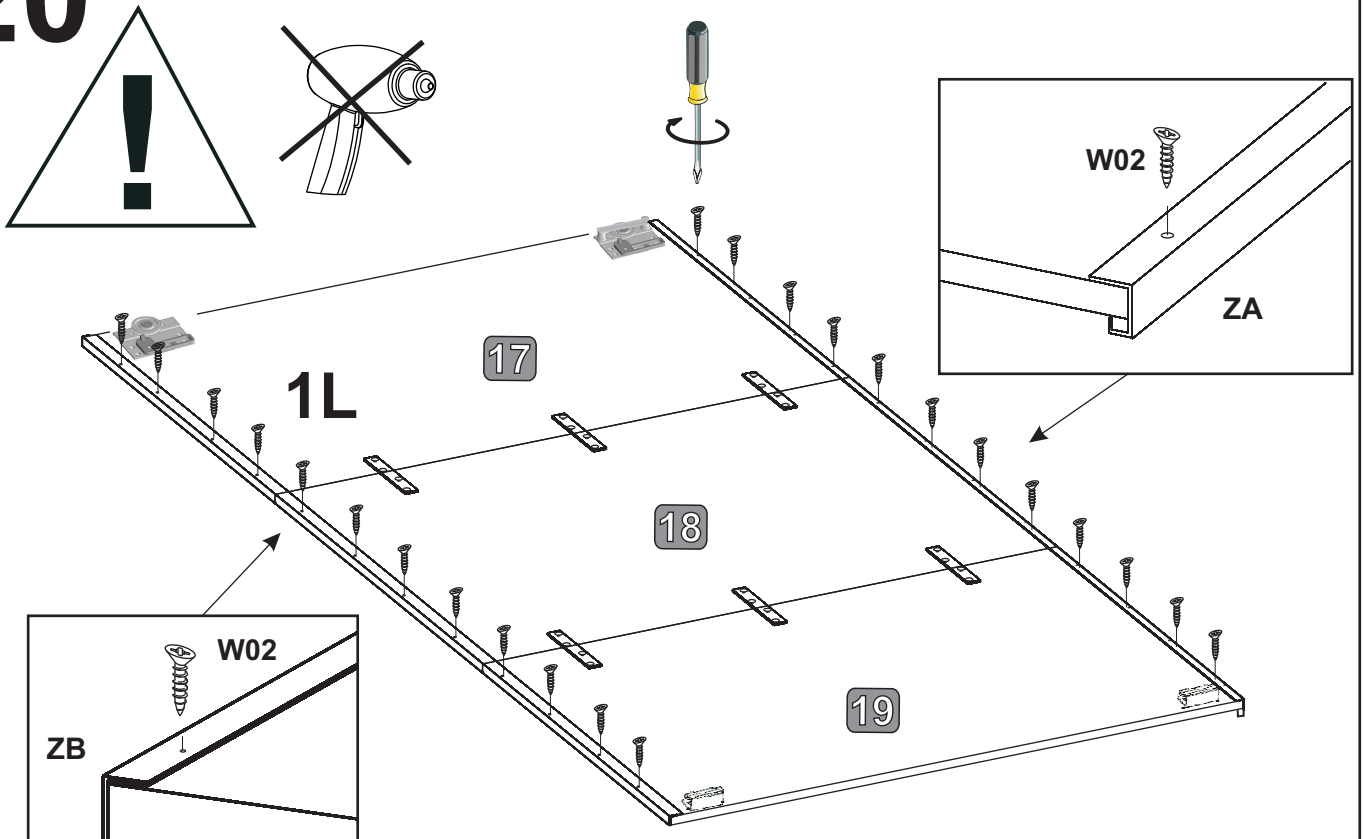
18



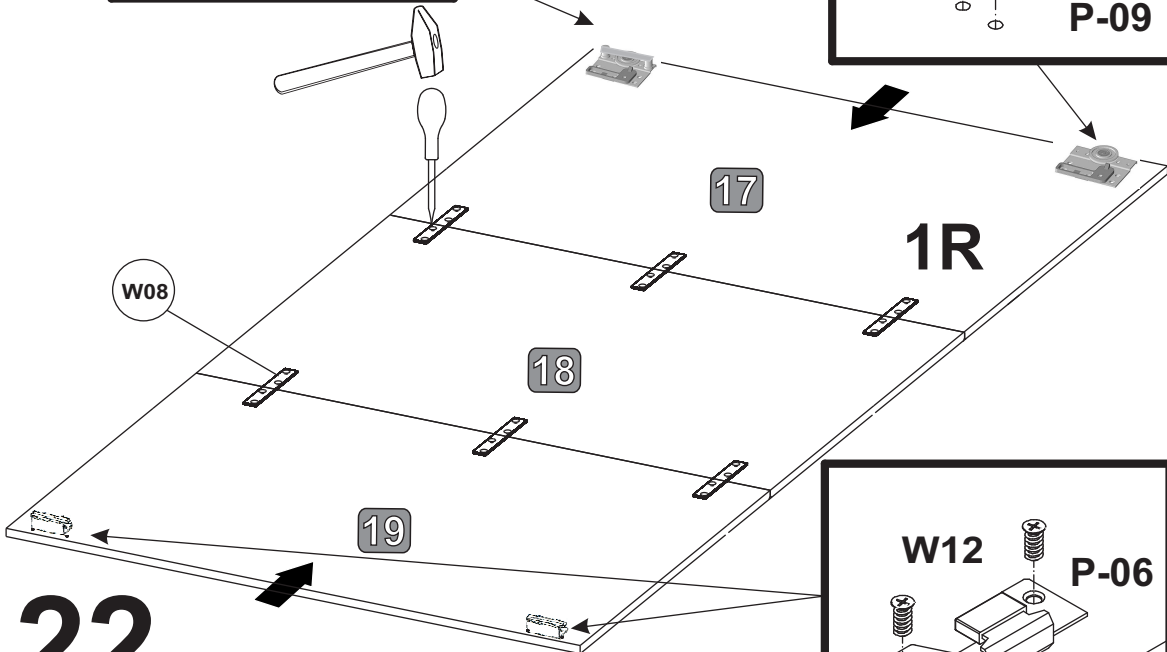
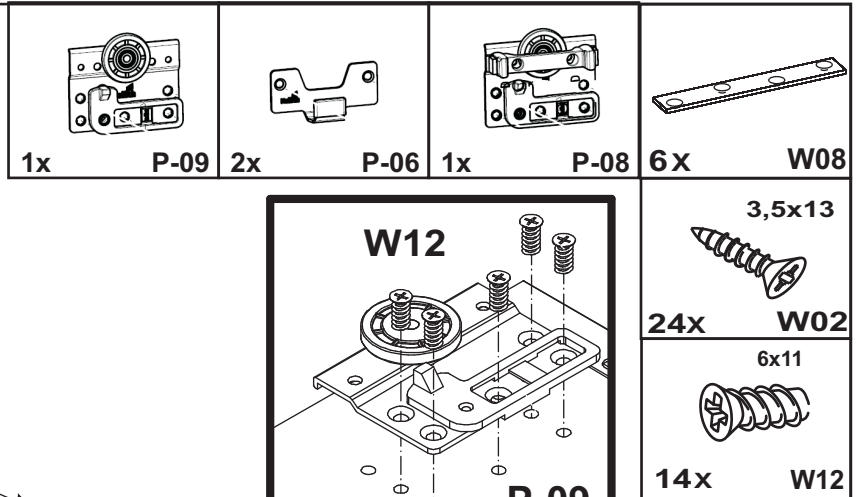
19



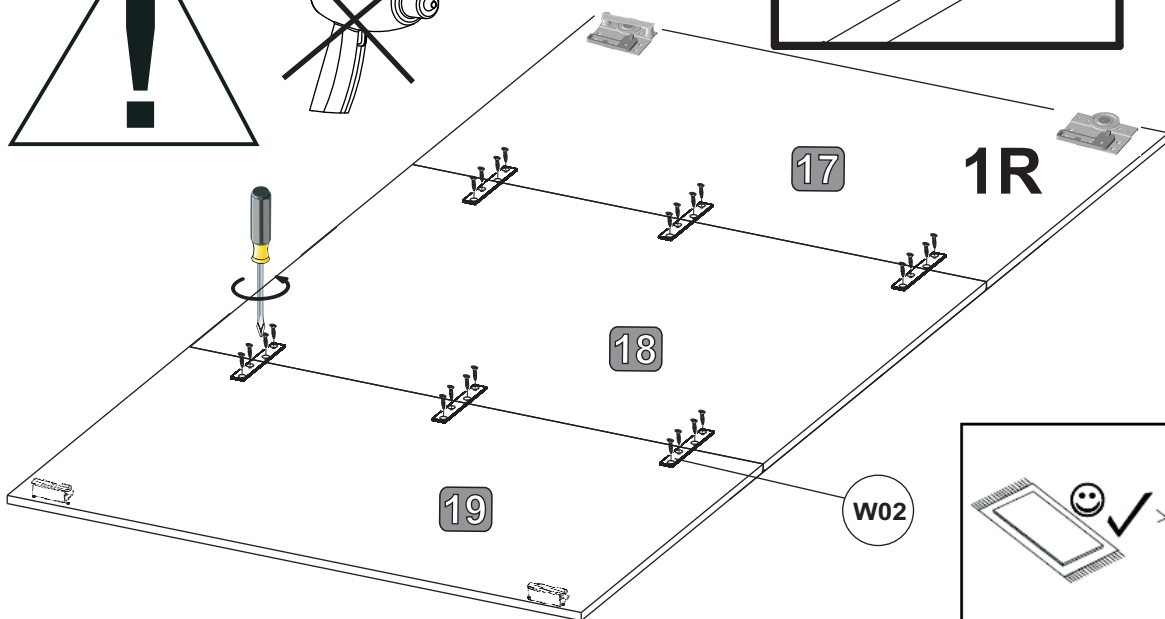
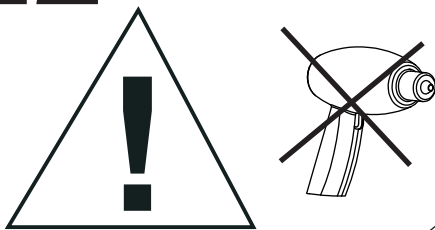
20



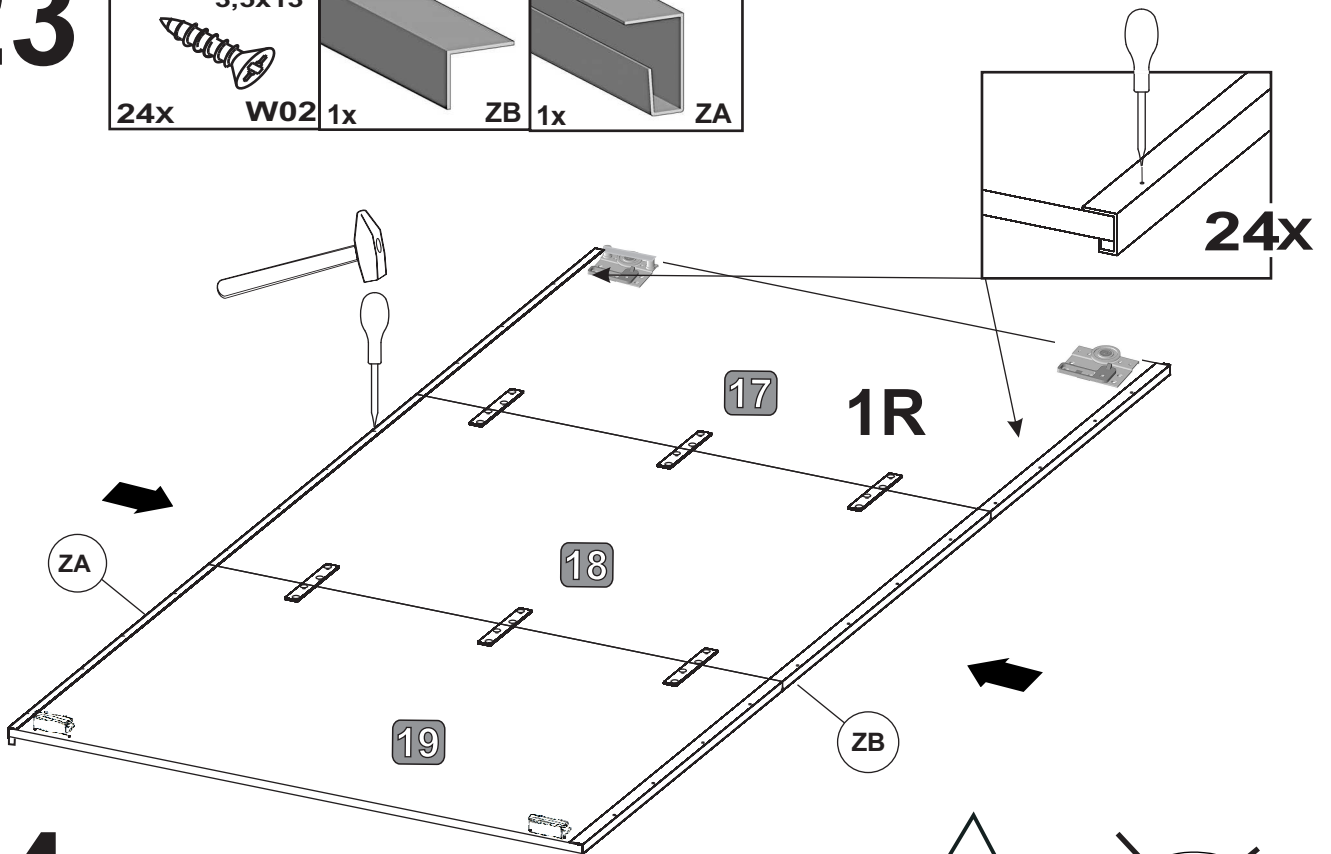
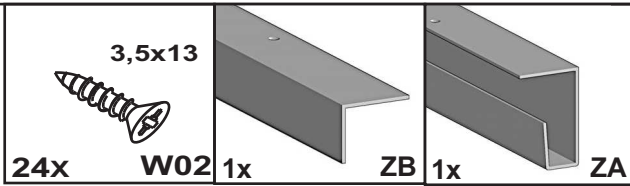
21



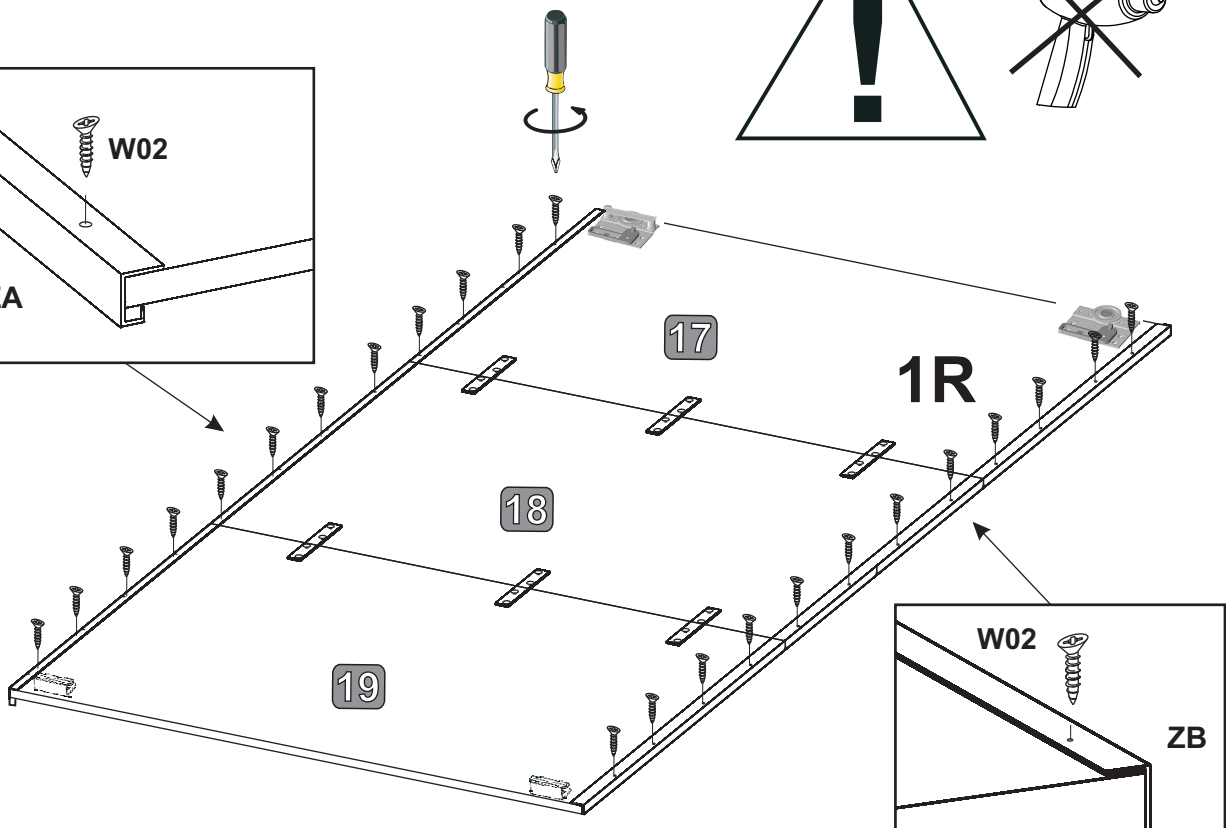
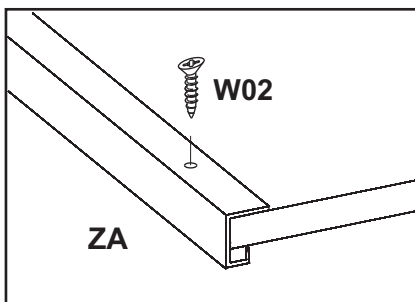
22



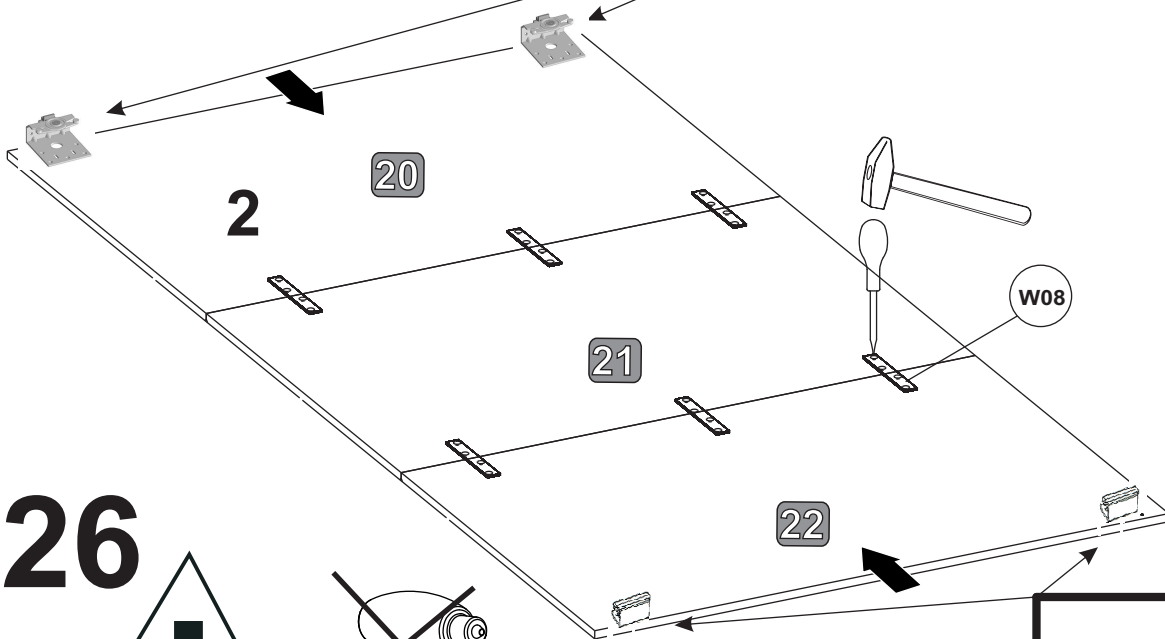
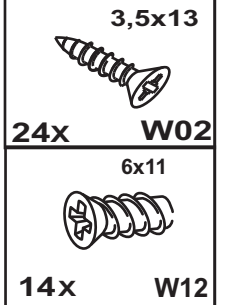
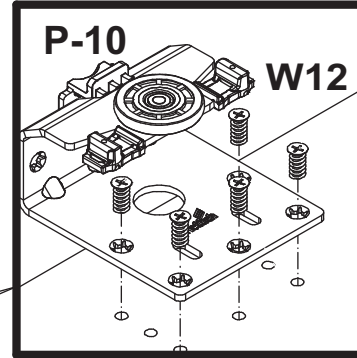
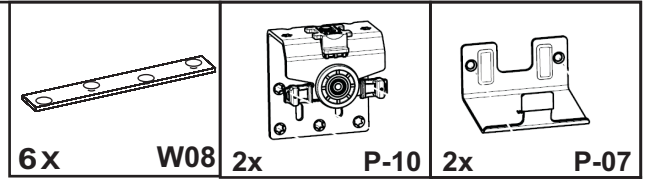
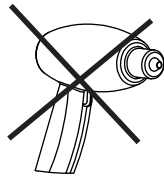
23



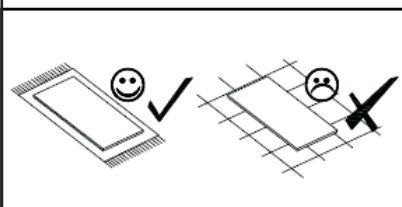
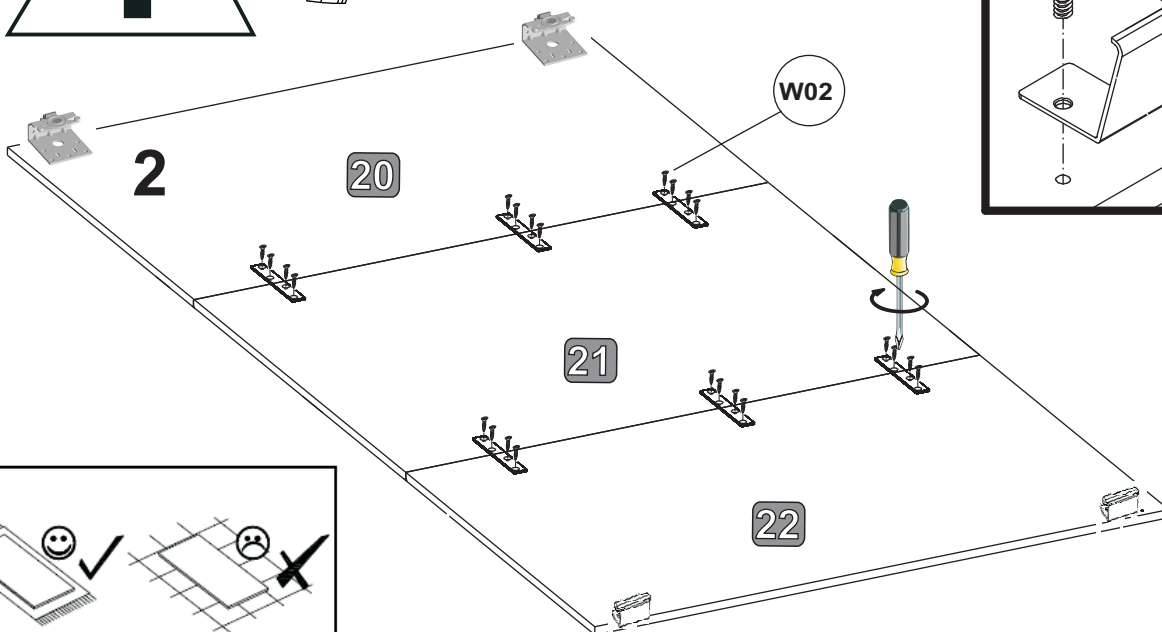
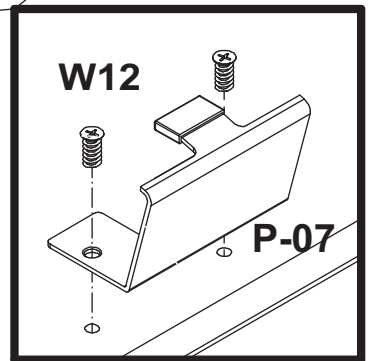
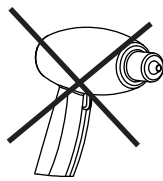
24



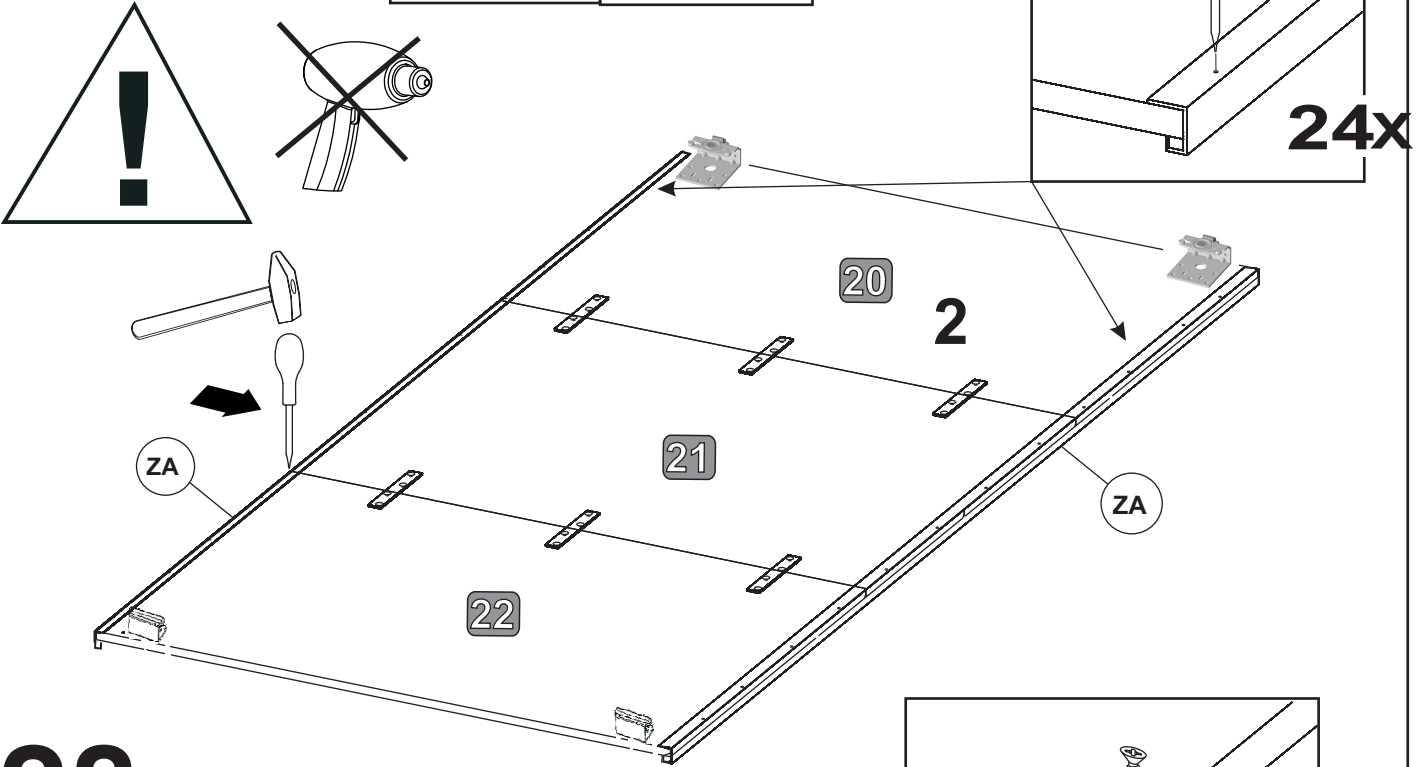
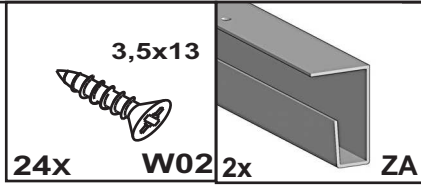
25



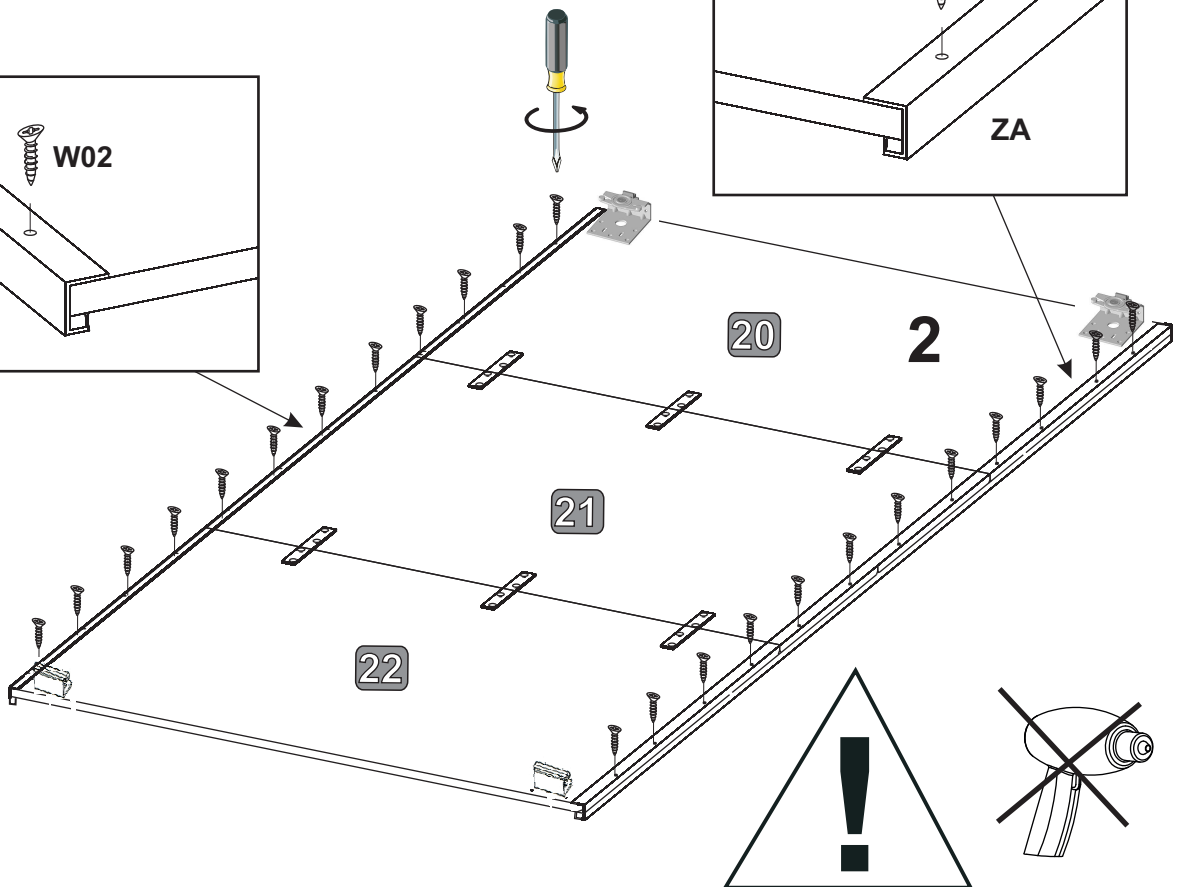
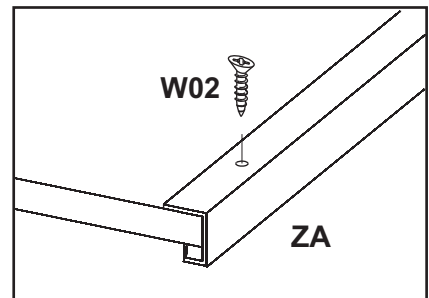
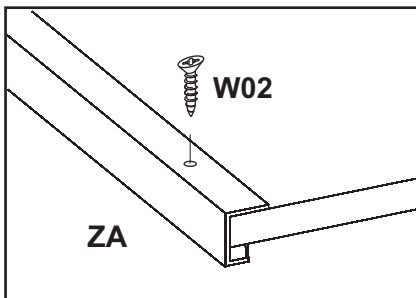
26



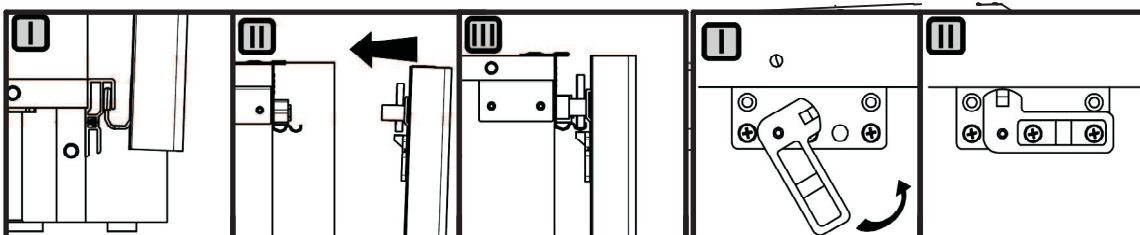
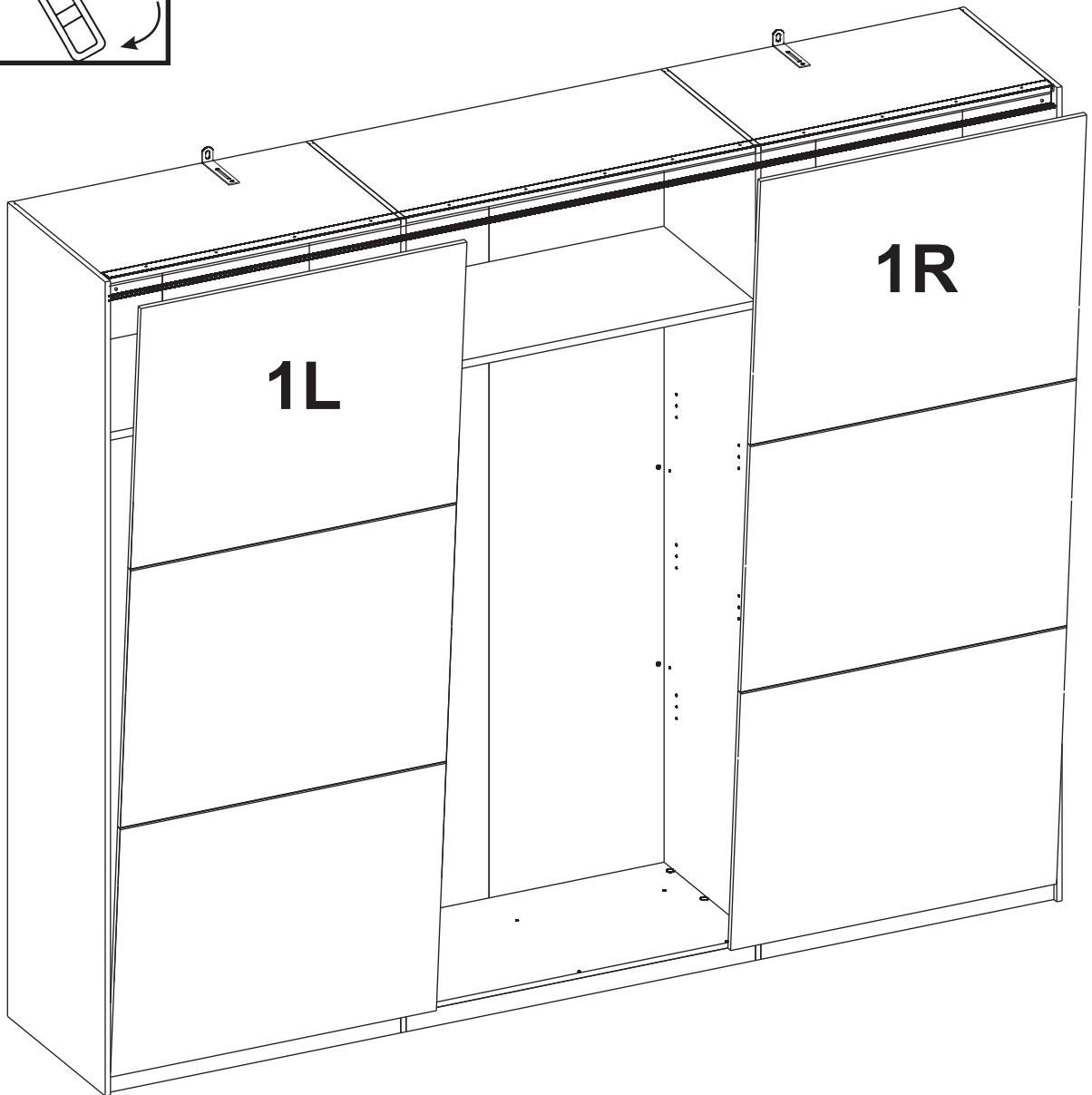
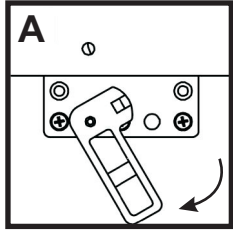
27



28



29



30

