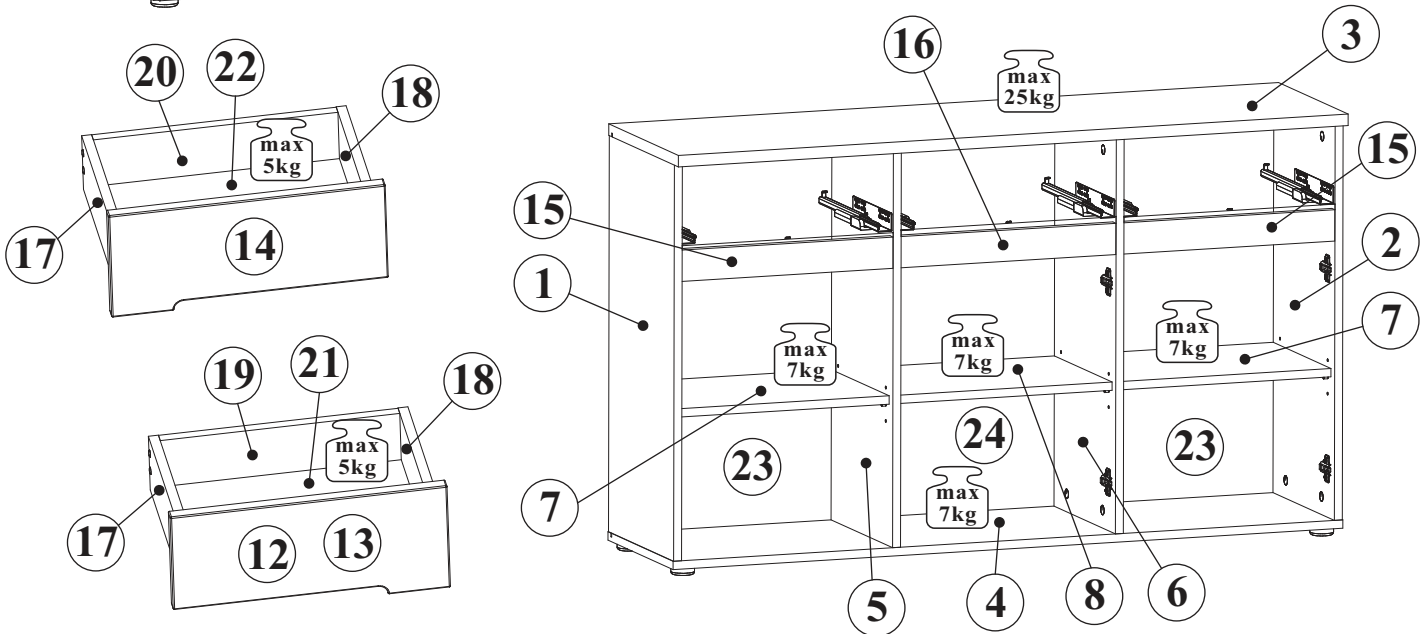
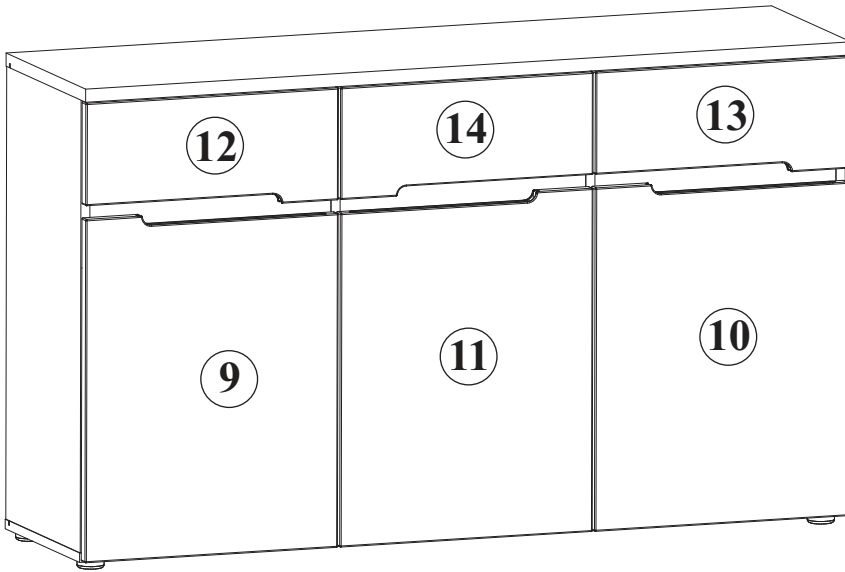
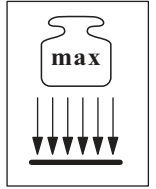
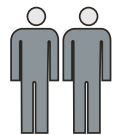


MEMPHIS 50 34--26

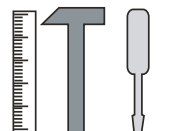


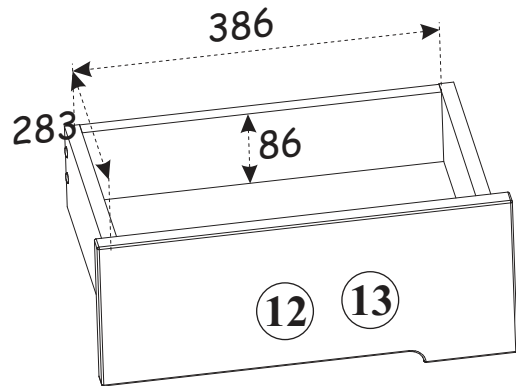
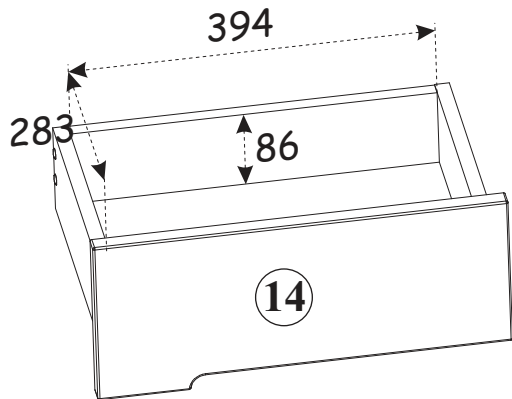
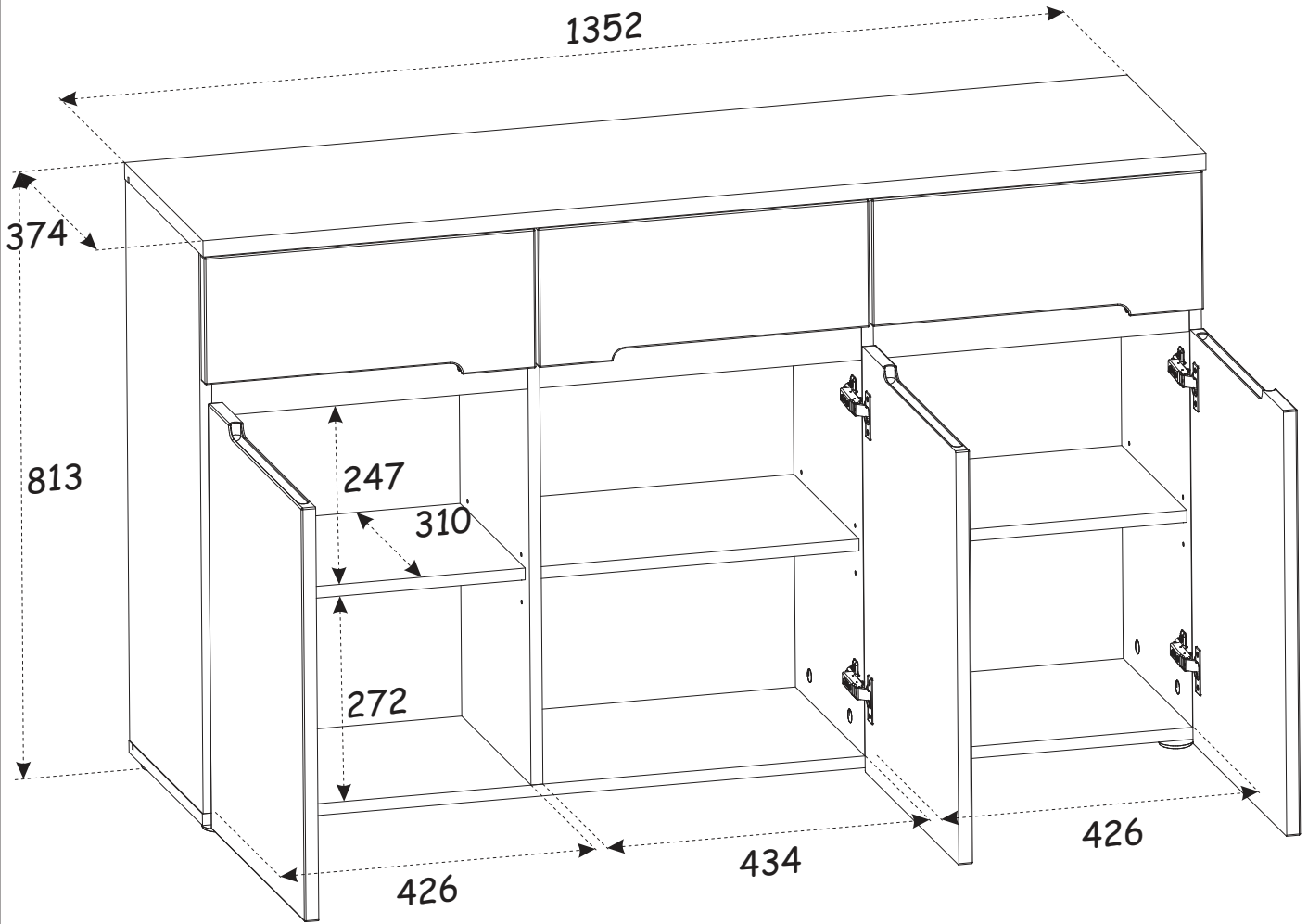
NO	Dim.			Col.-No	Qty
1	760	350	16	1	1
2	760	350	16	1	1
3	1352	374	22	1	1
4	1352	350	16	1	1
5	760	330	16	1	1
6	760	330	16	1	1
7	426	310	16	2	2
8	434	310	16	2	1
9	446	576	18	2	1
10	446	576	18	2	1
11	446	576	18	2	1
12	446	188	18	2	1
13	446	188	18	2	1
14	446	188	18	2	1

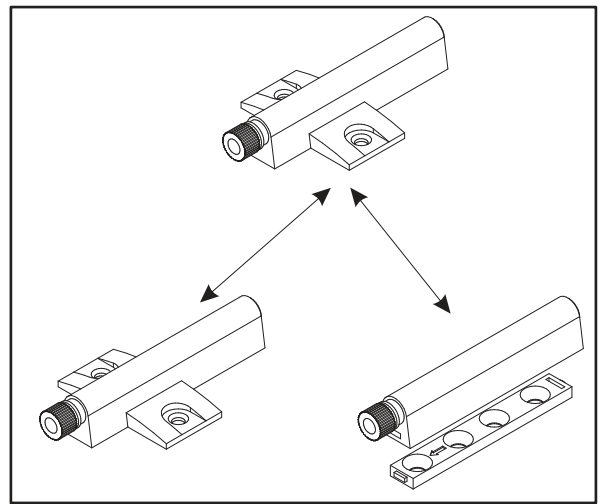
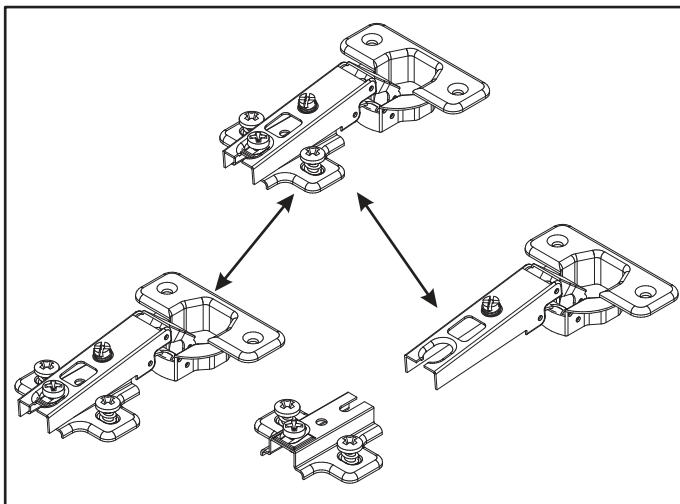
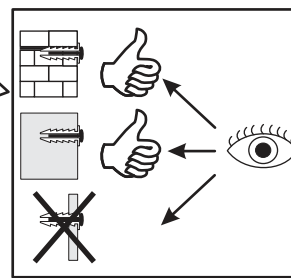
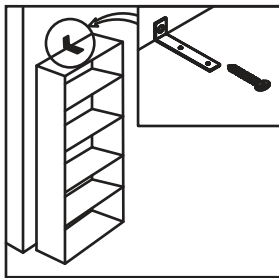
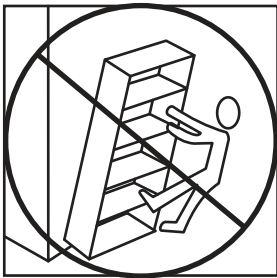
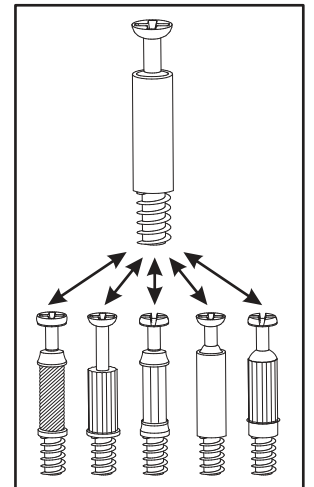
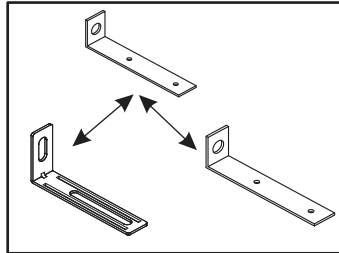
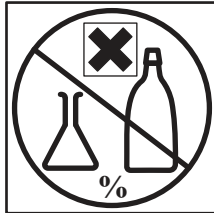
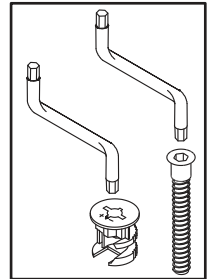
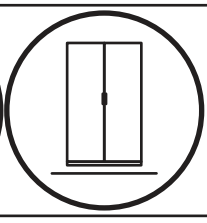
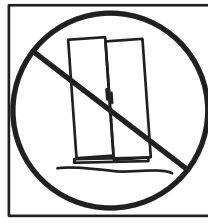
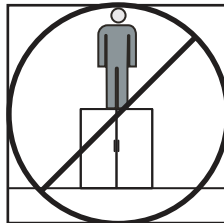
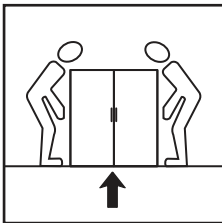
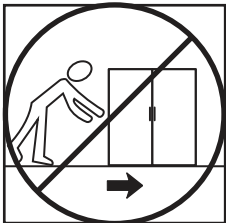
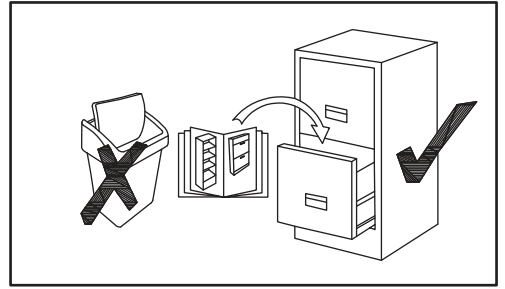
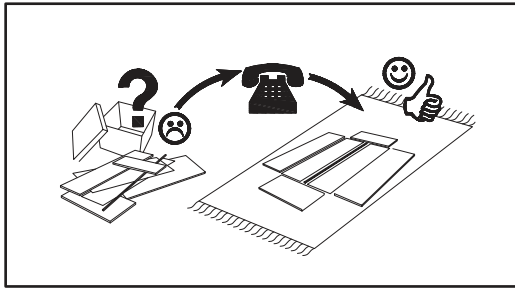
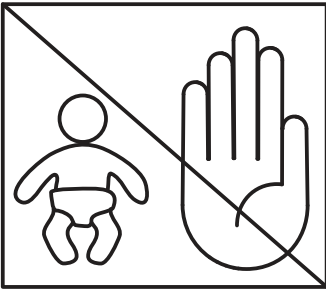
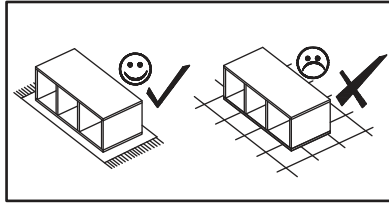
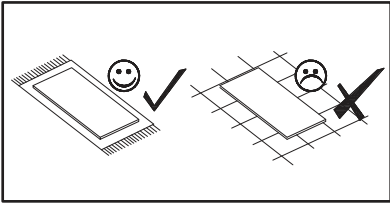
NO	Dim.			Col.-No	Qty
15	426	60	16	2	2
16	434	60	16	2	1
17	300	100	16	2	3
18	300	100	16	2	3
19	386	86	16	2	2
20	394	86	16	2	1
21	304	398	3	2	2
22	304	406	3	2	1
23	772	440	3	2	2
24	772	450	3	2	1



180 min

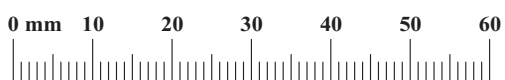
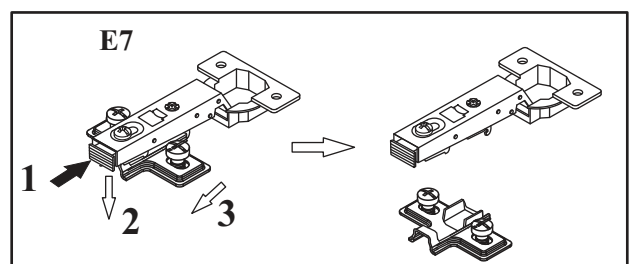
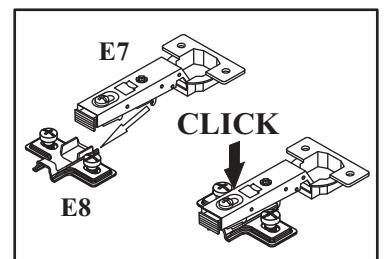






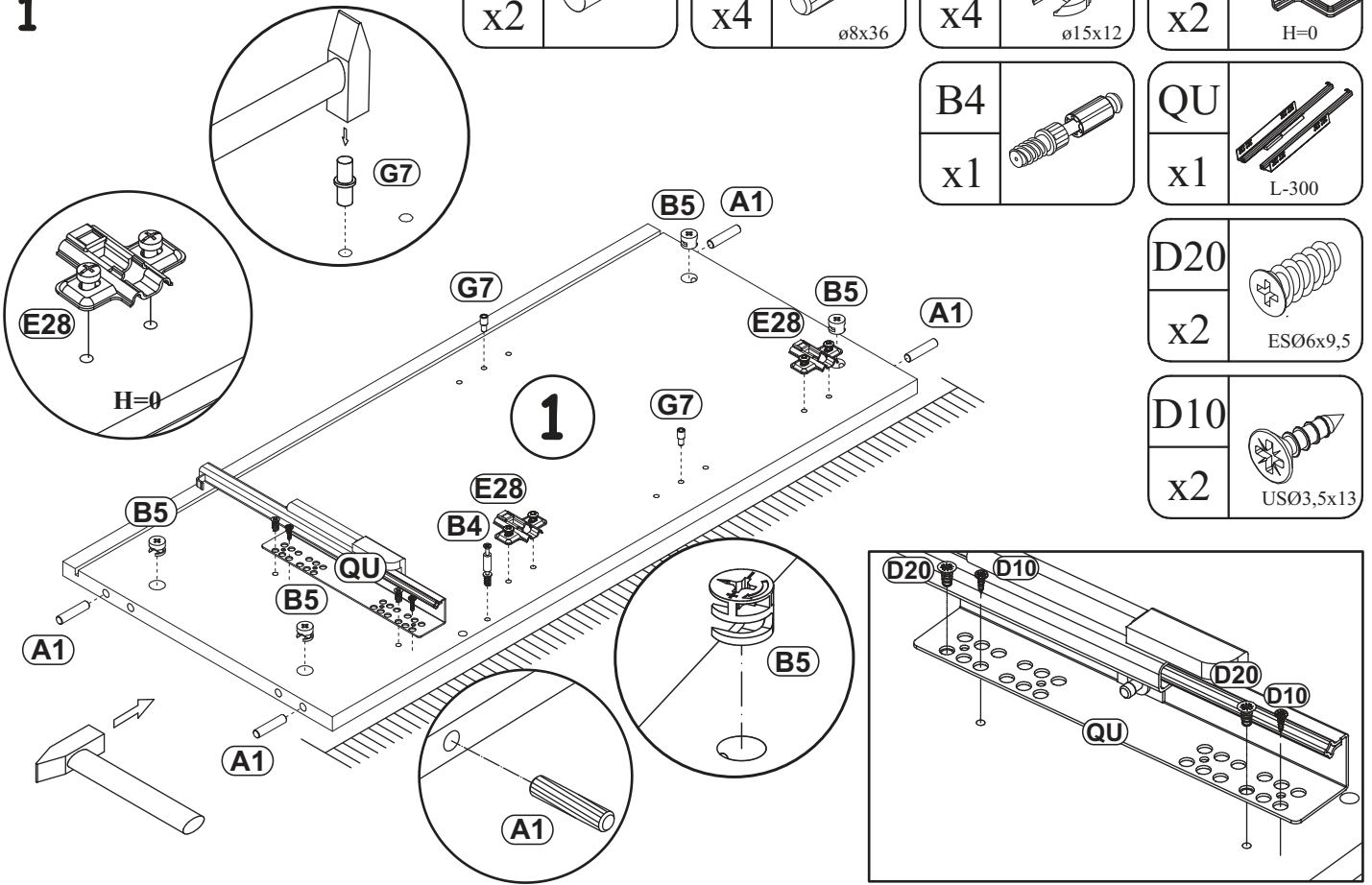
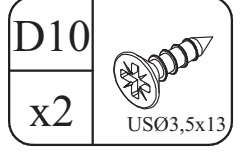
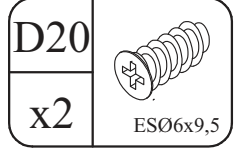
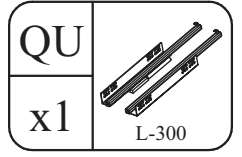
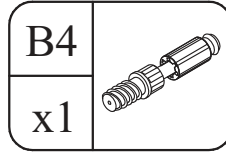
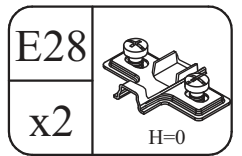
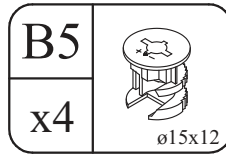
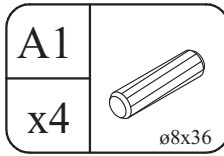
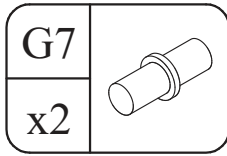
MEMPHIS 50 34 -- 26

A1 x28 ø8x36	B4 x24	B6 x2 Ø7x76	B5 x28 ø15x12	G5 x28	B11 x12 Ø7x50
G4 x12	E7 x4 Ø35 H=0	E9 x2 Ø35 H=8	E28 x4 H=0	E8 x2 H=2	G7 x12
S1 x21	QU x3 L-300	I11 x6 Ø45, h=15	D10 x26 USØ3,5x13	UP11 x6 UPØ4x20	UP13 x26 UPØ3x16
G16 x8	D20 x12 ESØ6x9,5	L1 x1	KR1 x1	G2 x1	

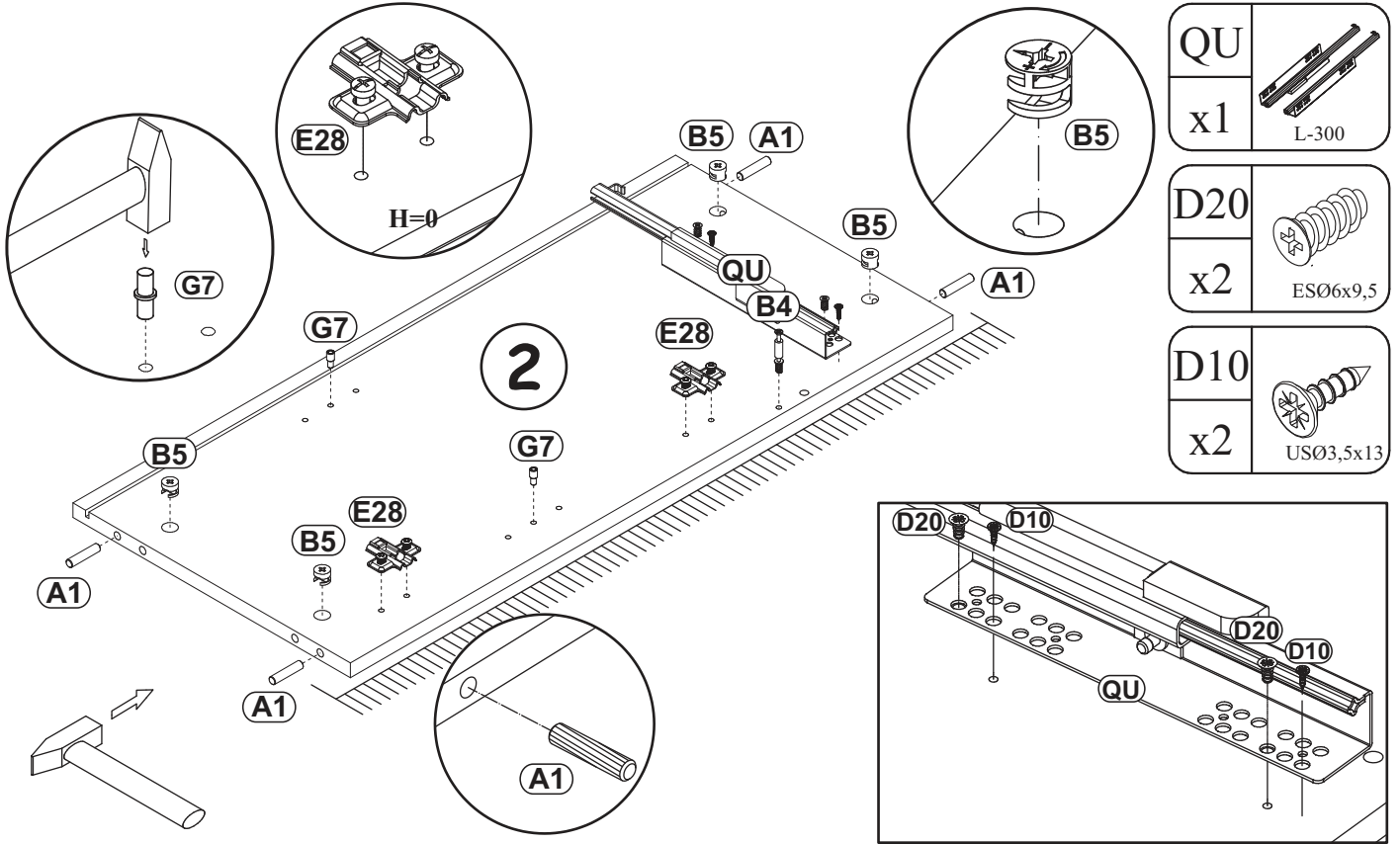
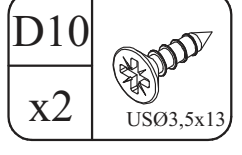
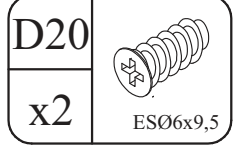
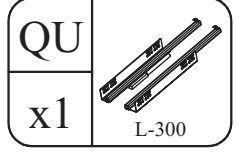
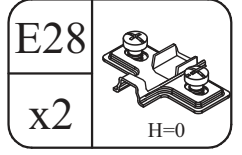
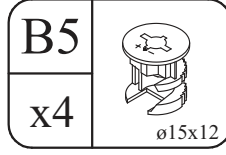
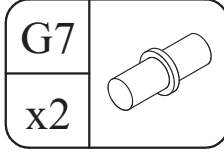
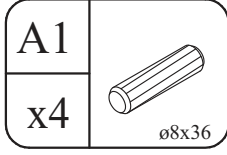
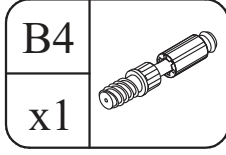


MEMPHIS 50 34 -- 26

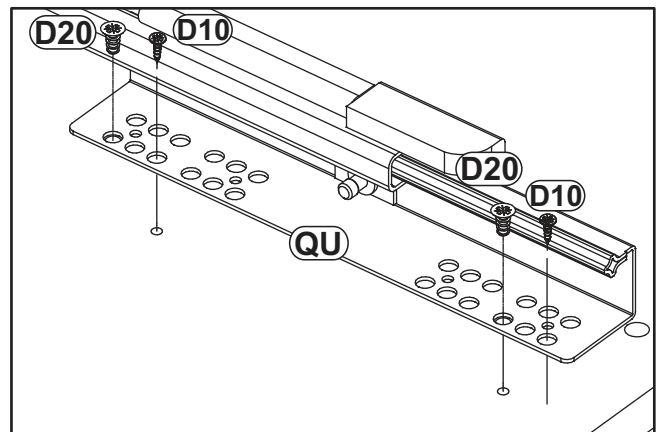
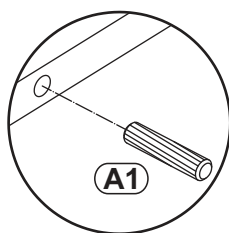
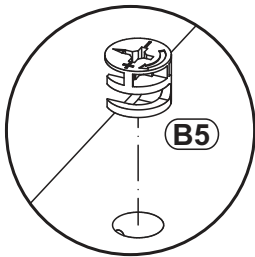
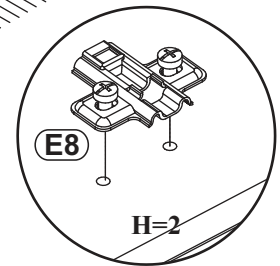
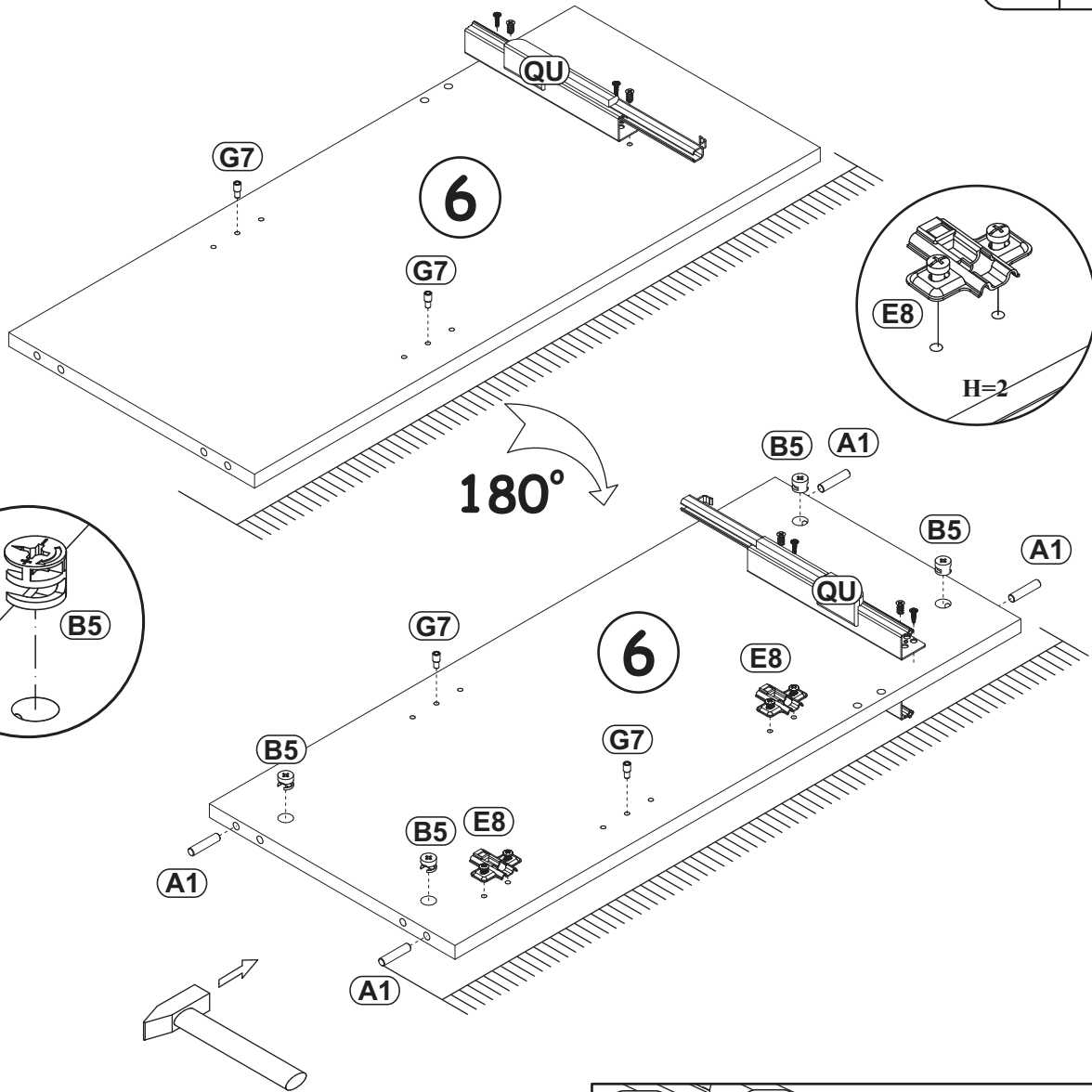
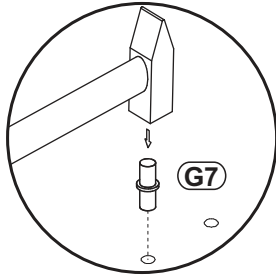
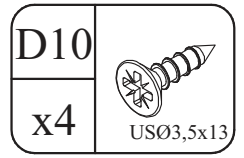
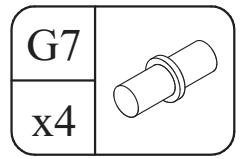
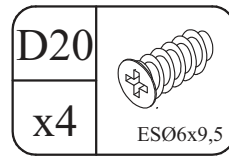
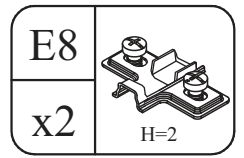
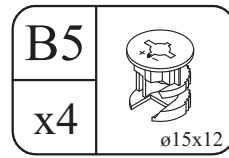
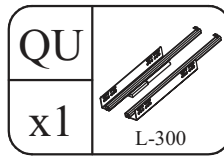
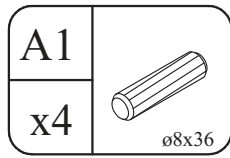
1



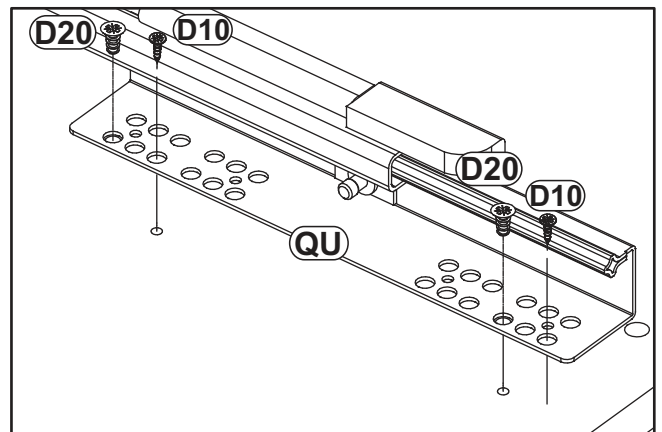
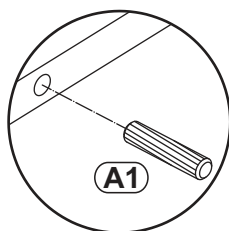
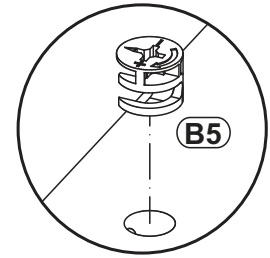
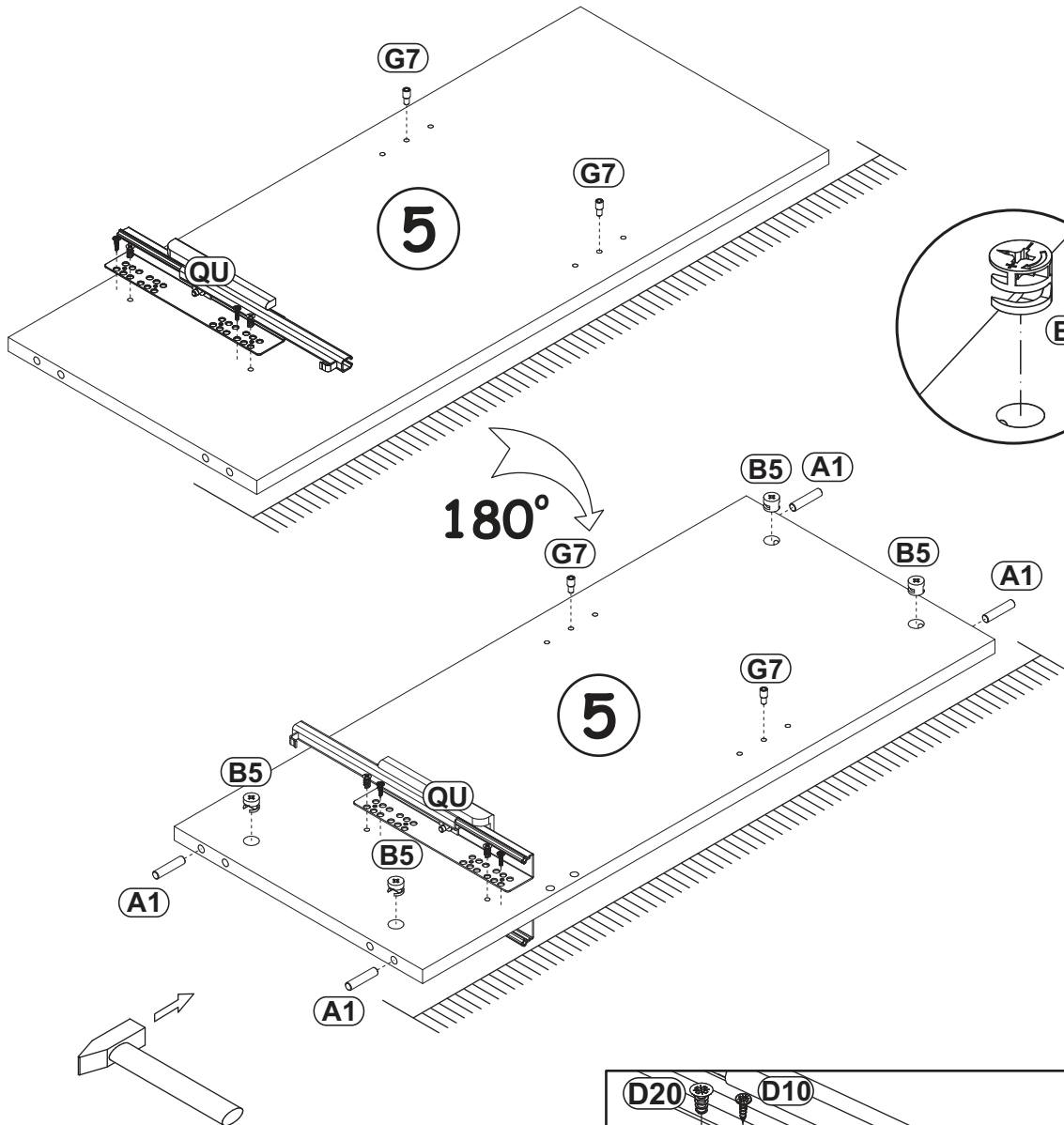
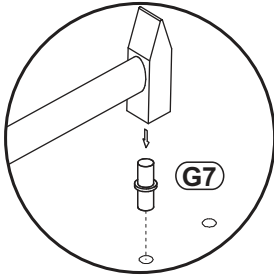
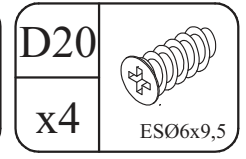
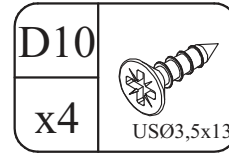
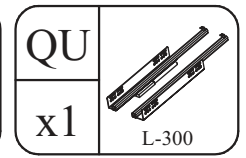
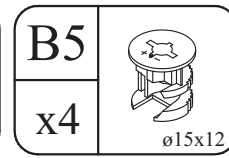
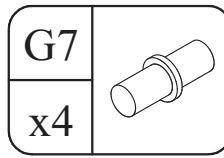
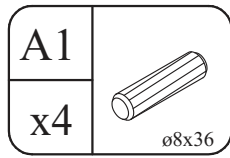
2



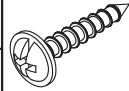
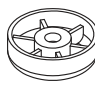
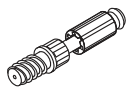
3

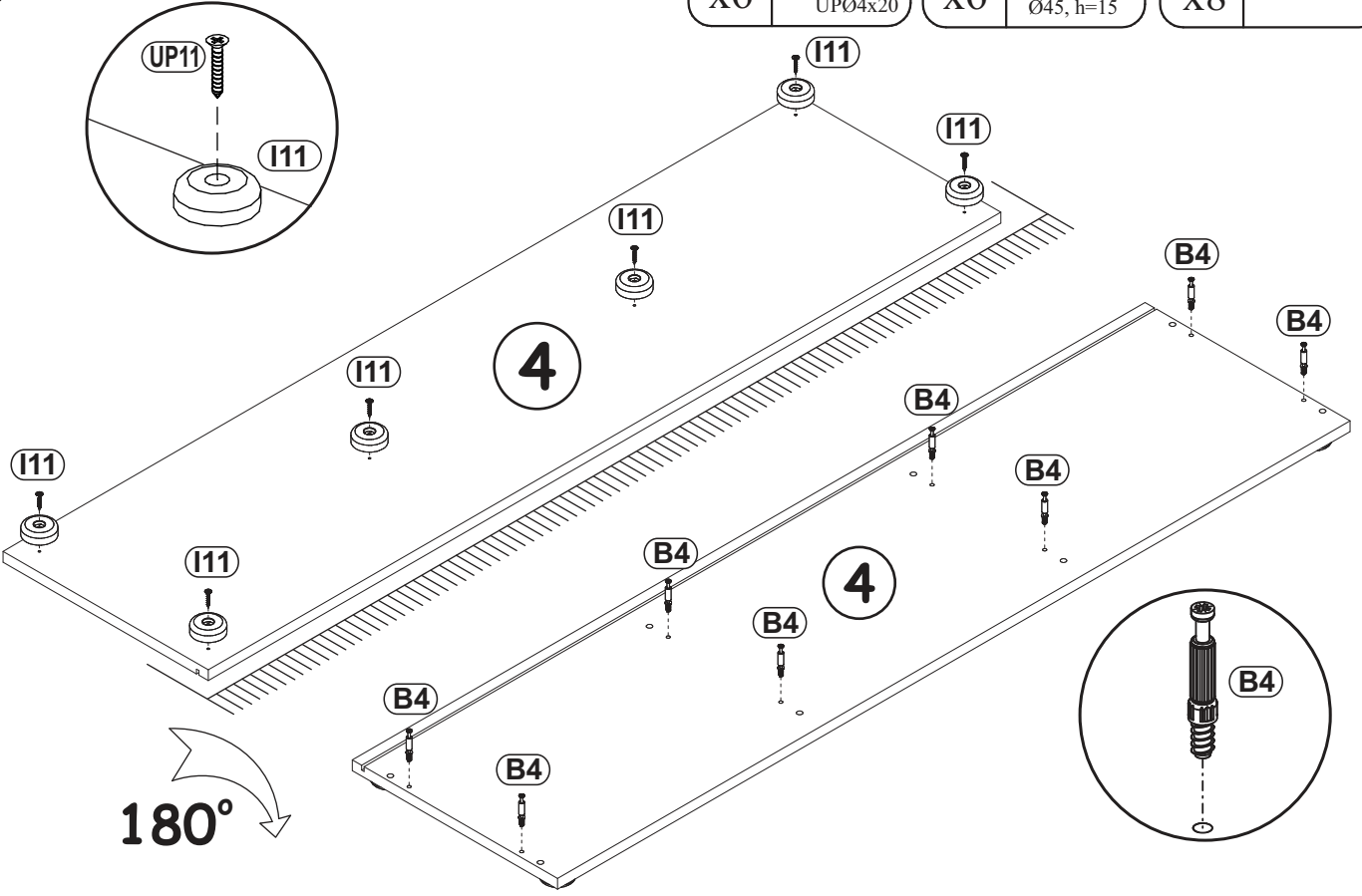


4

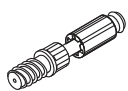
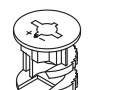
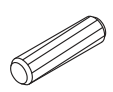


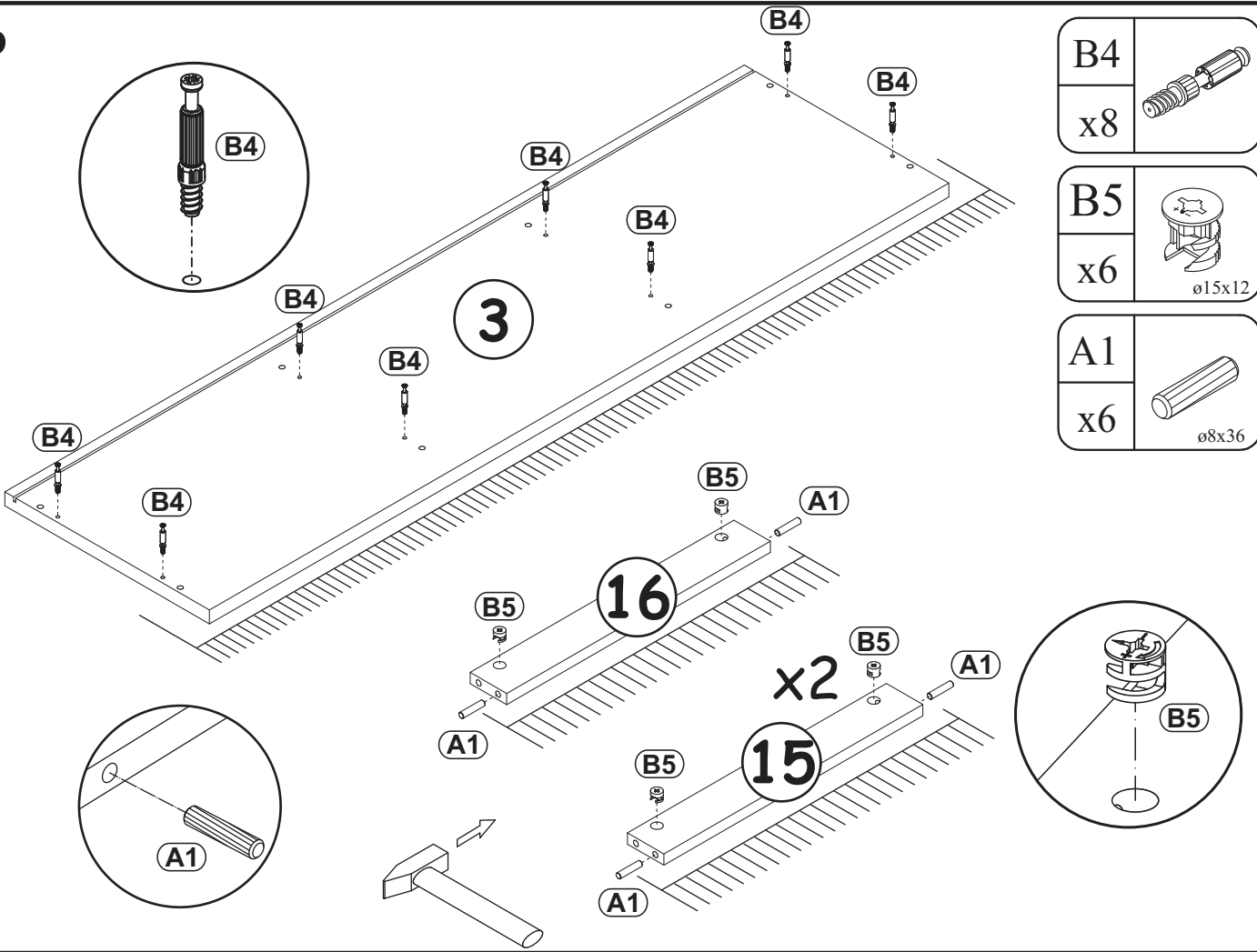
5

UP11		I11		B4	
x6	UPØ4x20	x6	Ø45, h=15	x8	

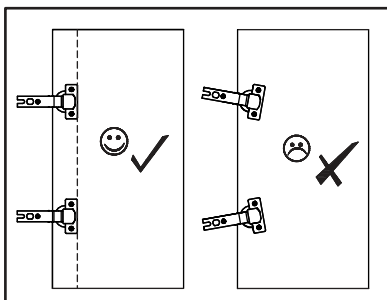
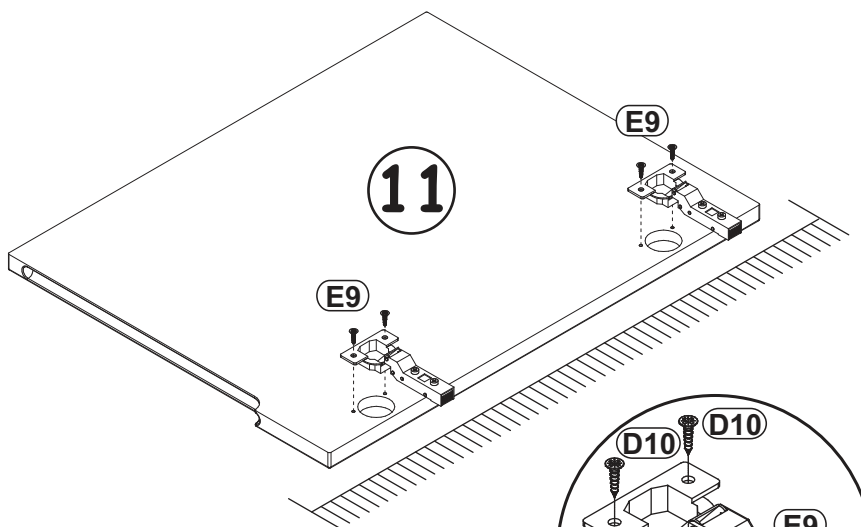
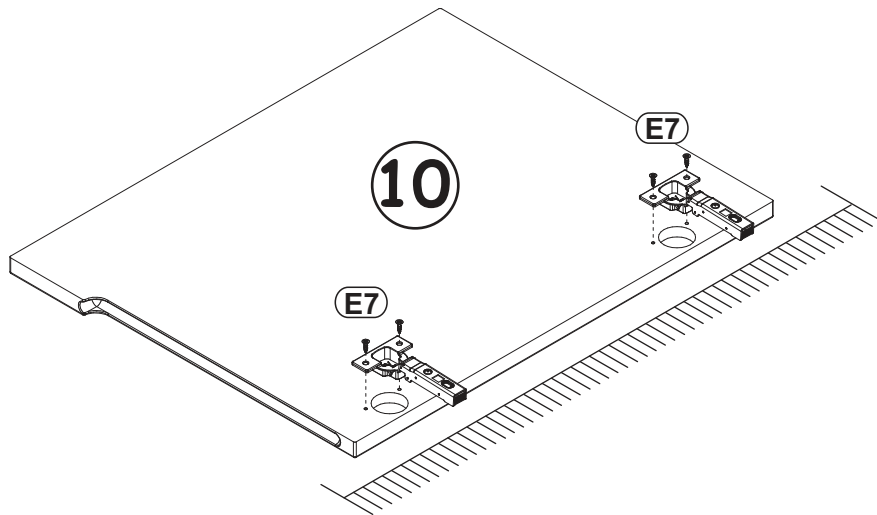
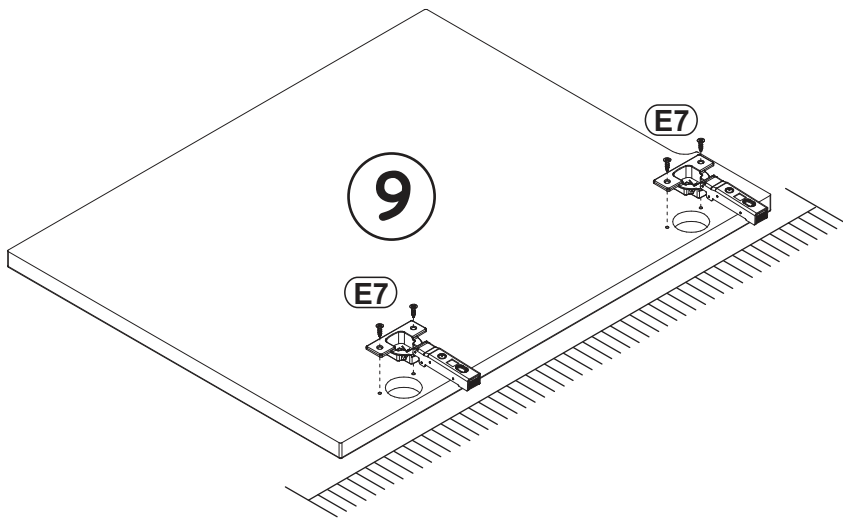
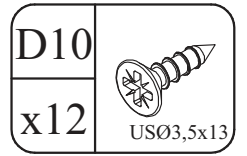
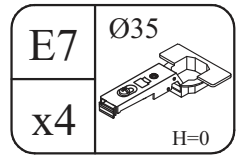
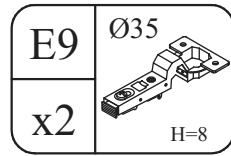


6

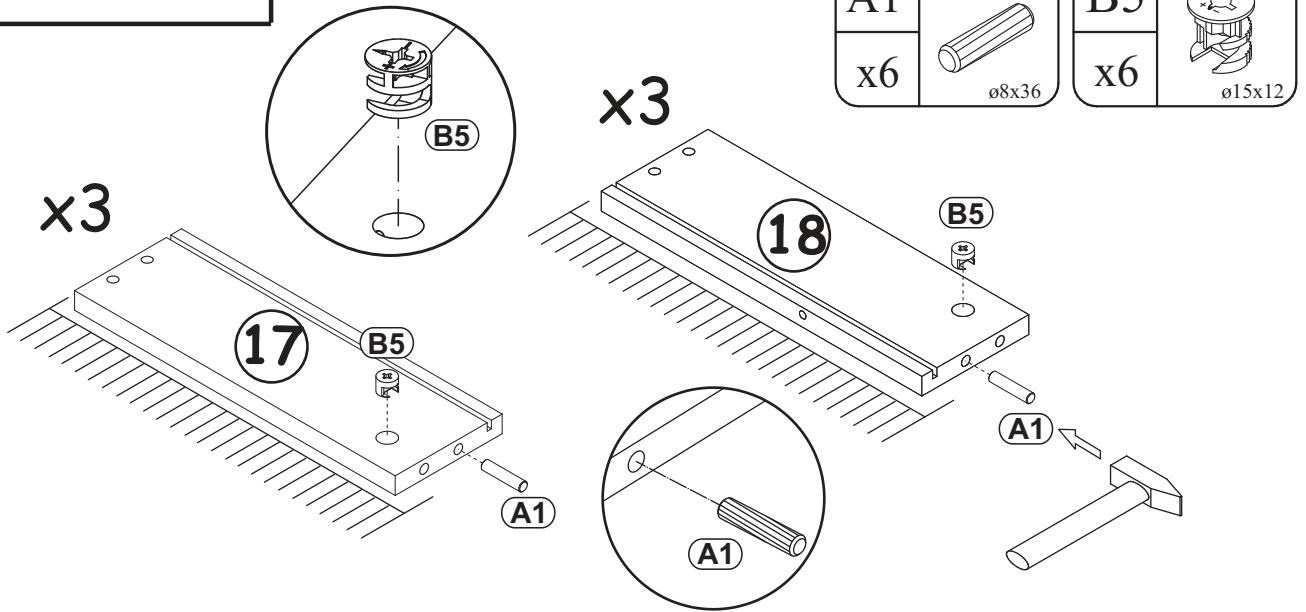
B4	
x8	
B5	
x6	Ø15x12
A1	
x6	Ø8x36



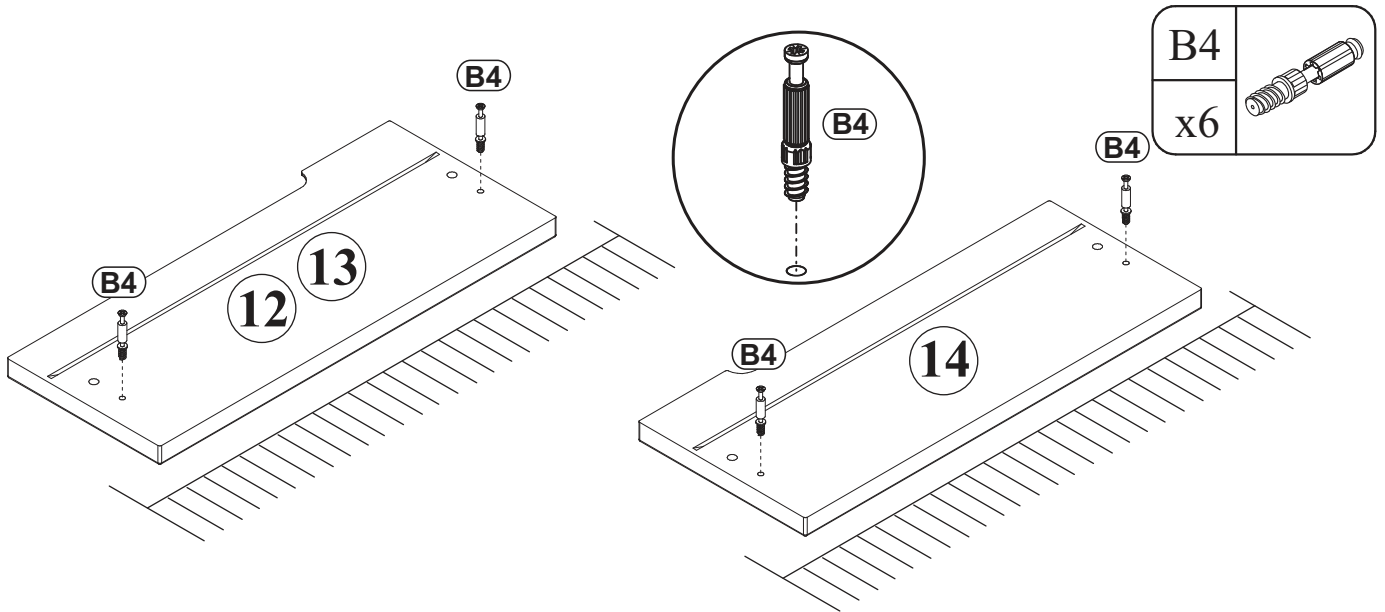
7



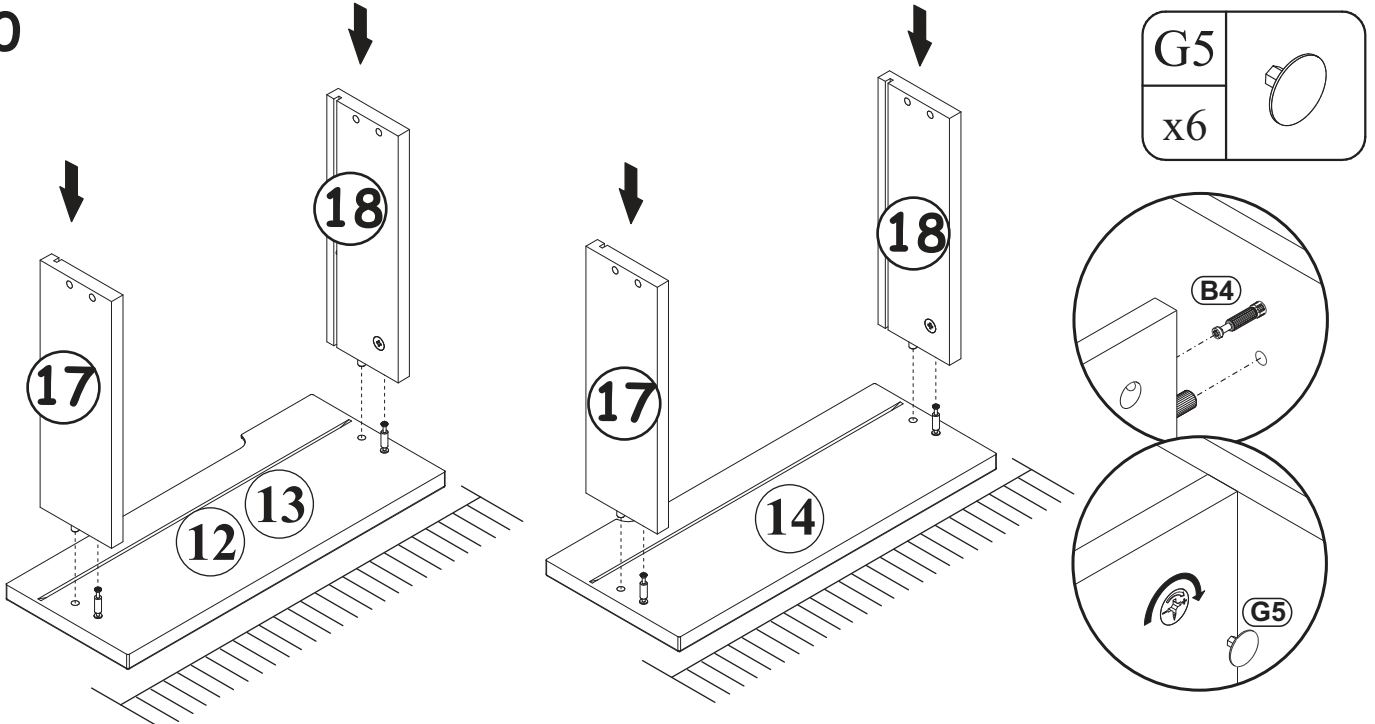
8



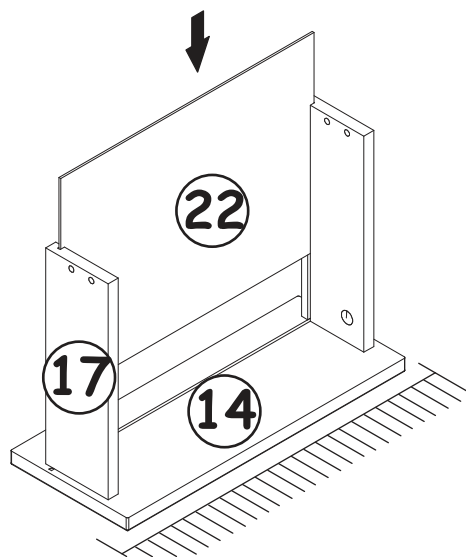
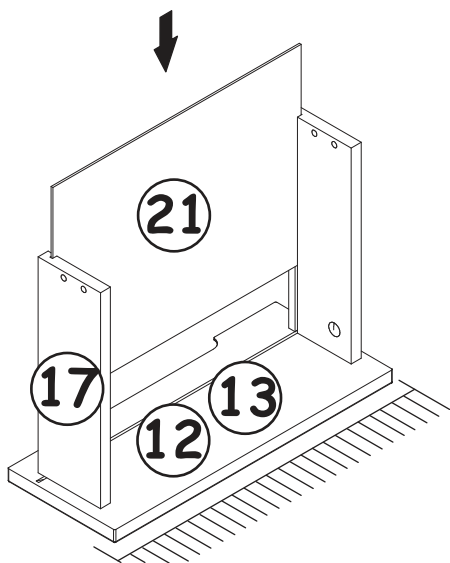
9





10

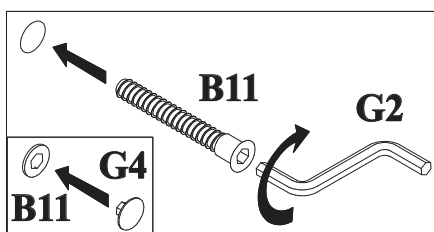
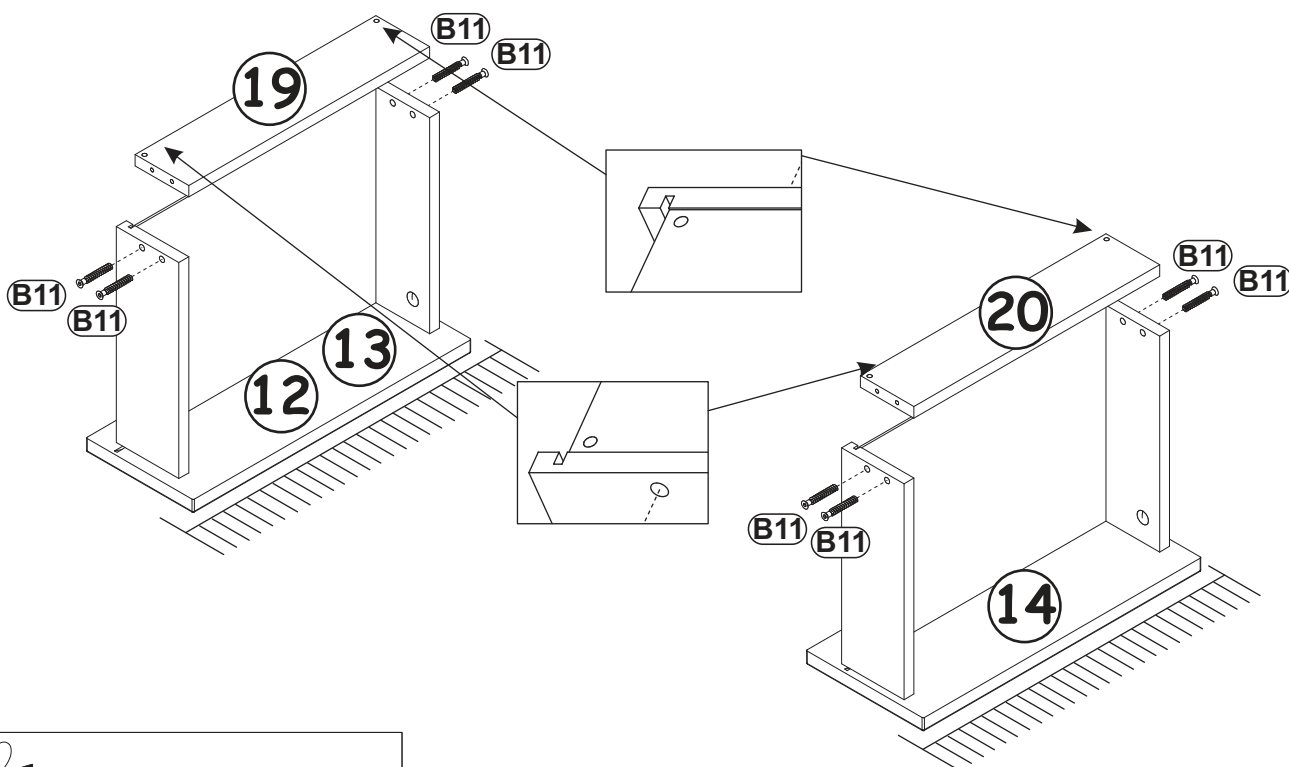



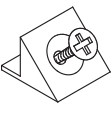
11



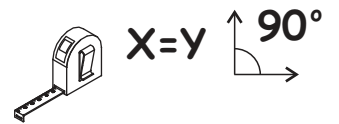
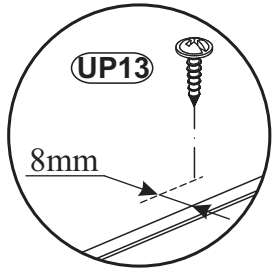
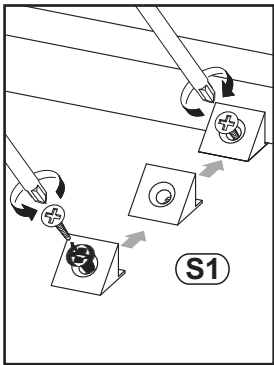
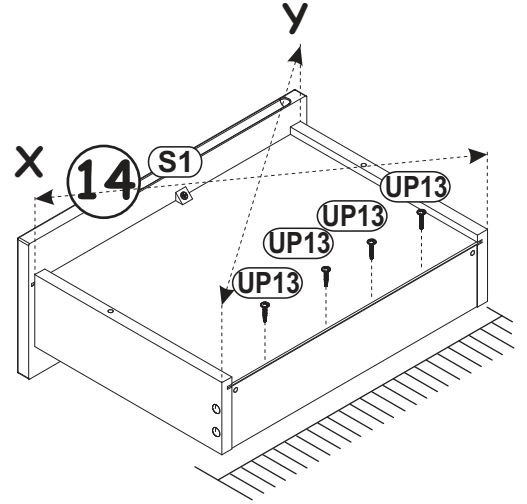
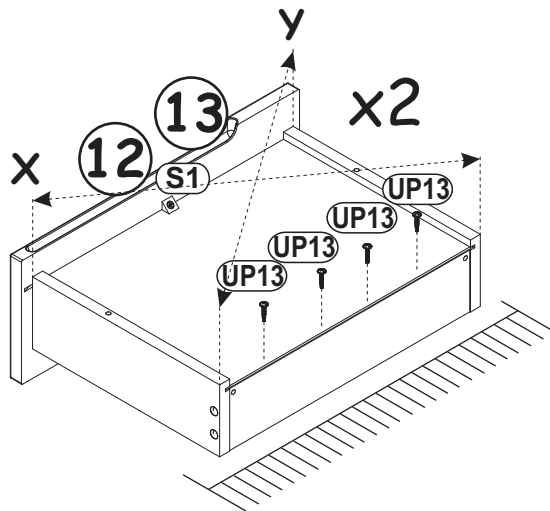
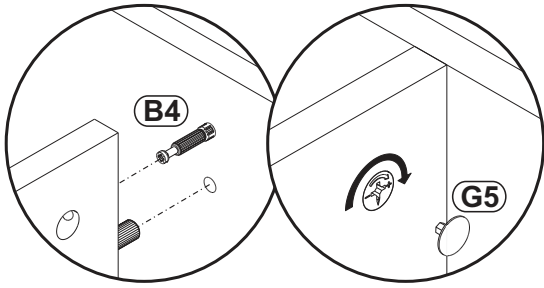
12

B11		G4	
x12	Ø7x50	x12	

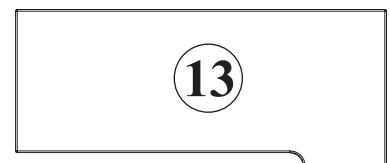
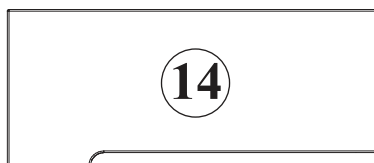
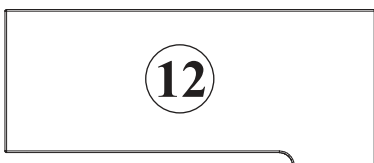
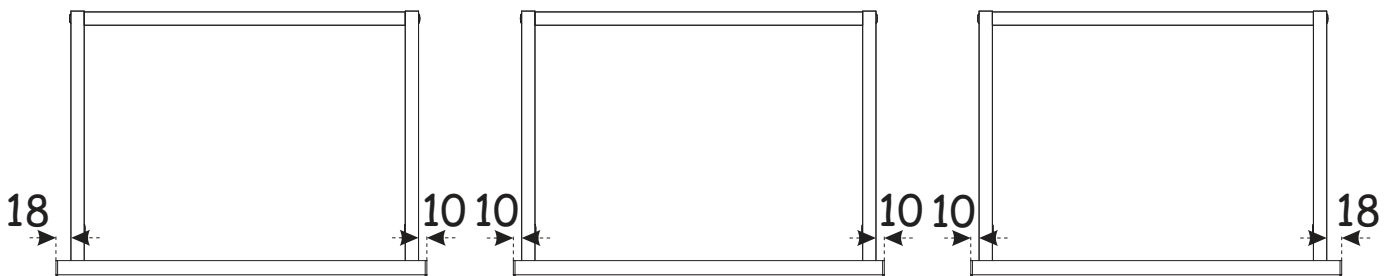


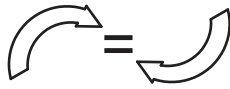
UP13	 UP03x16	S1	
x12		x3	


13




14

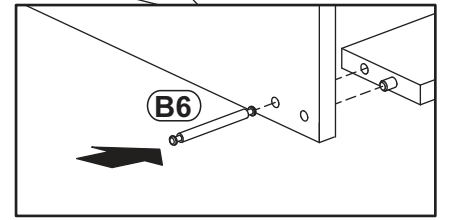
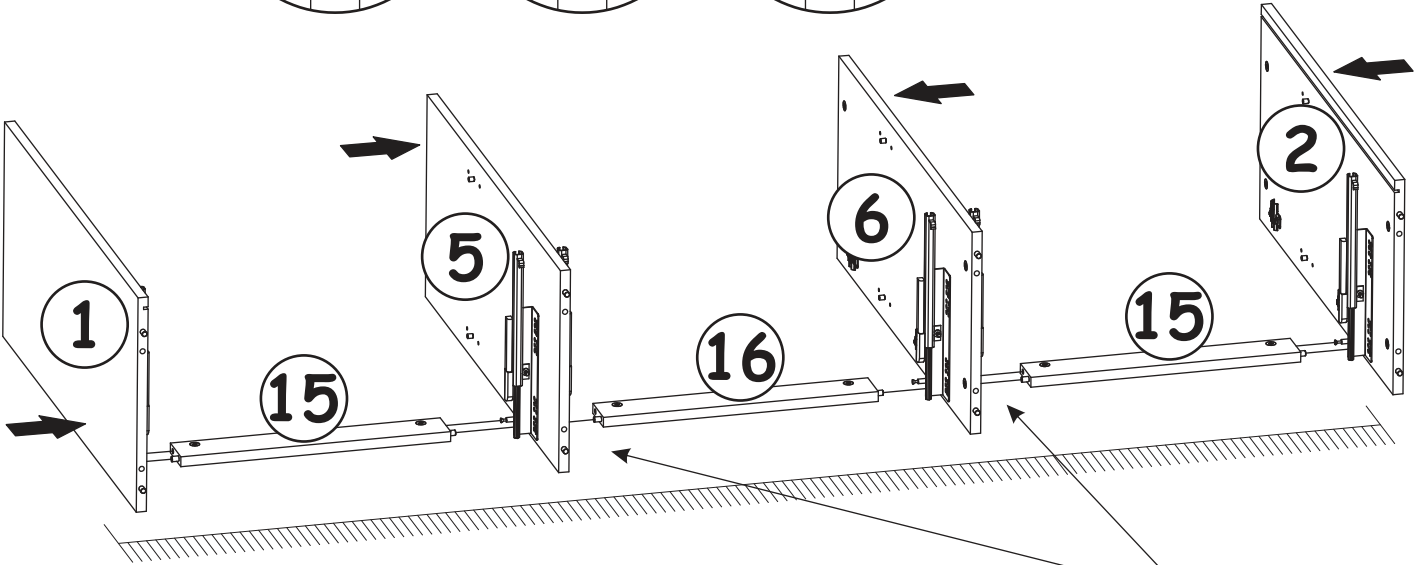
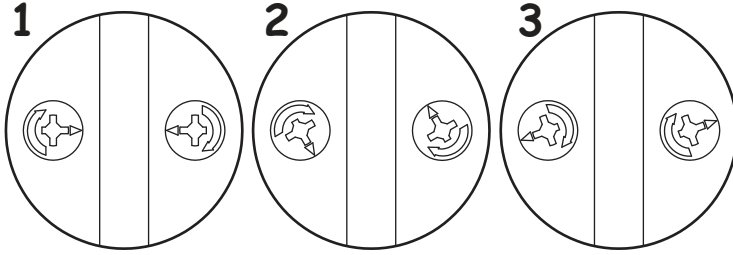




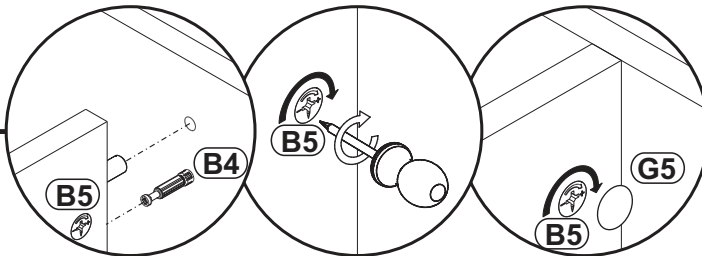
B6	
x2	Ø7x76


G5	
x8	

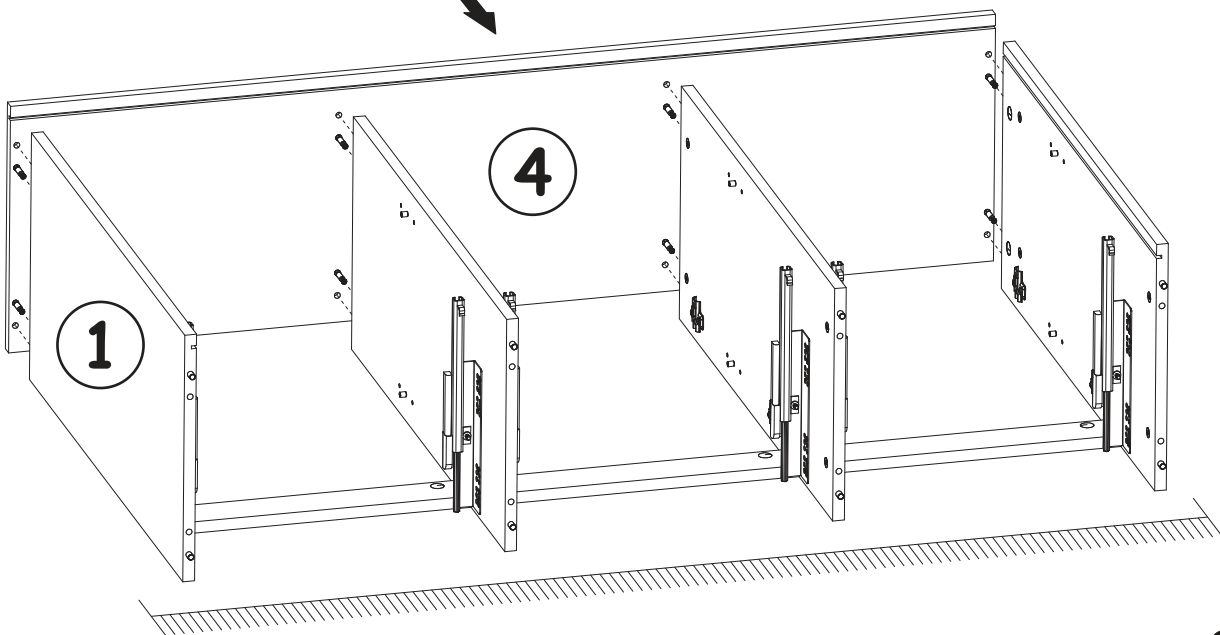
15



16

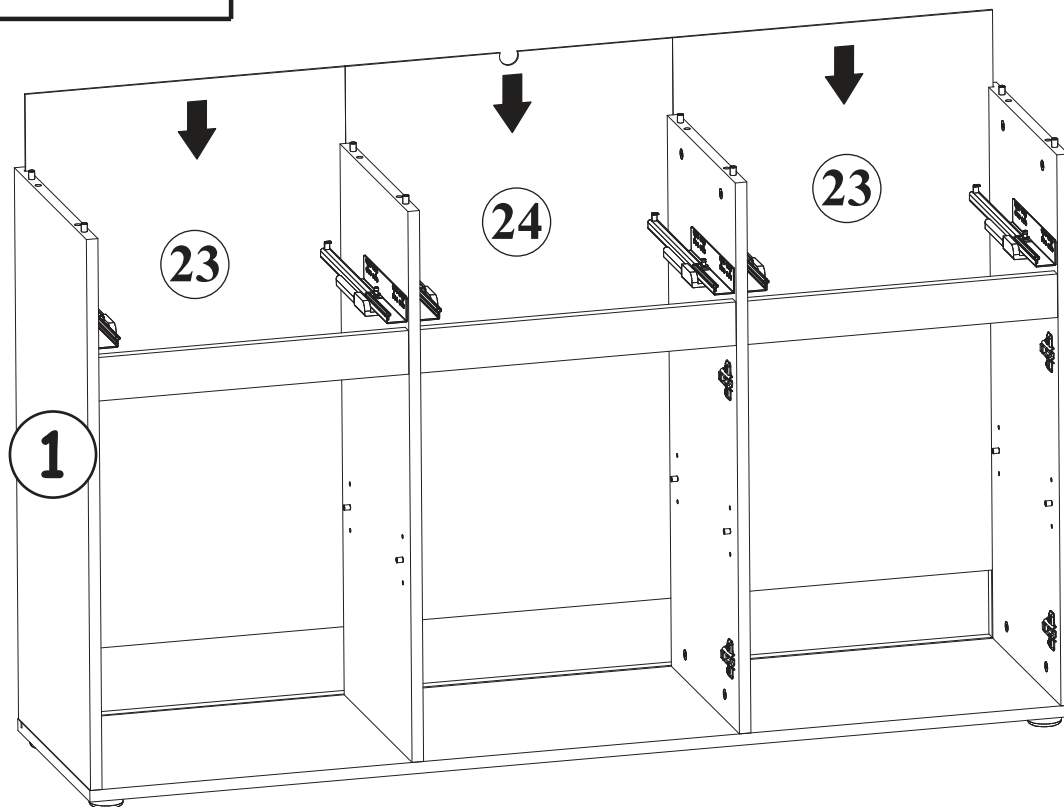


G5	
x8	

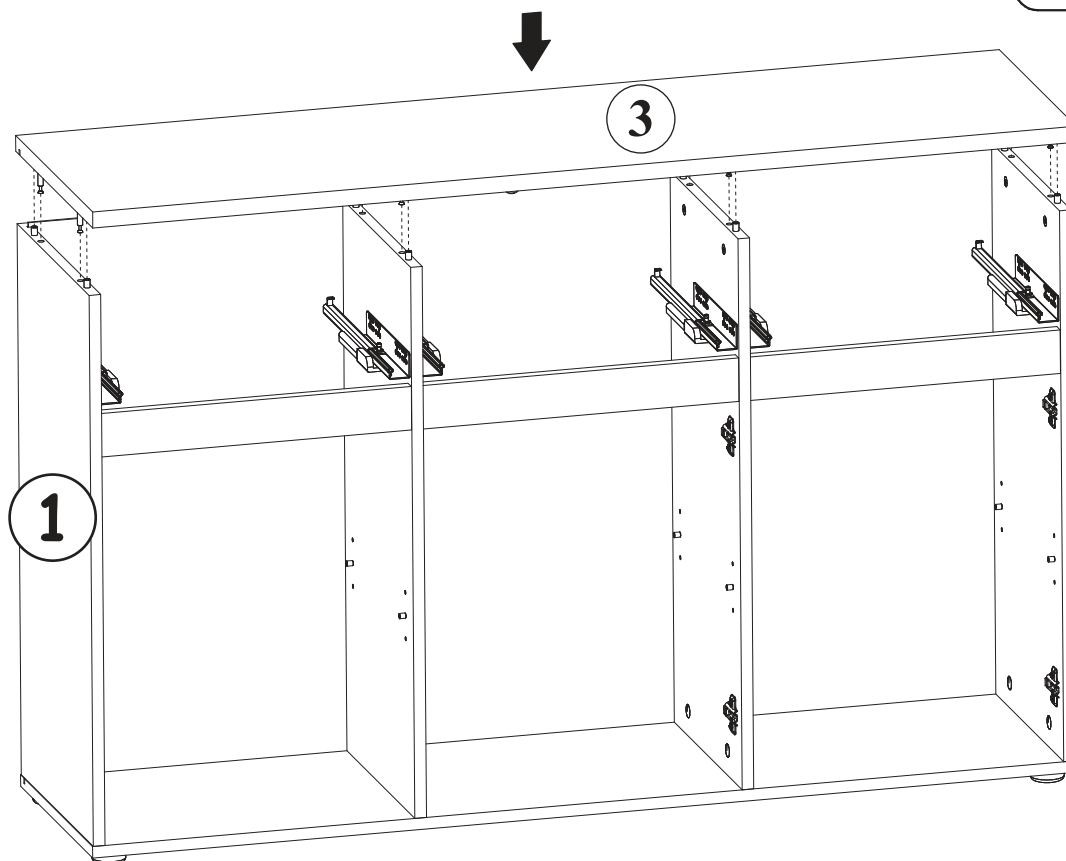
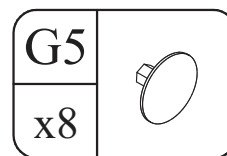



90°

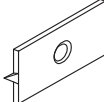
17

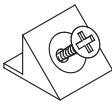


18

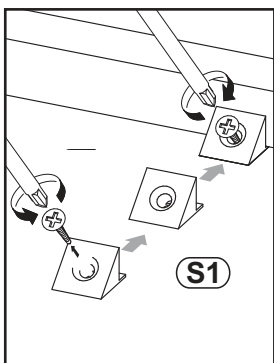
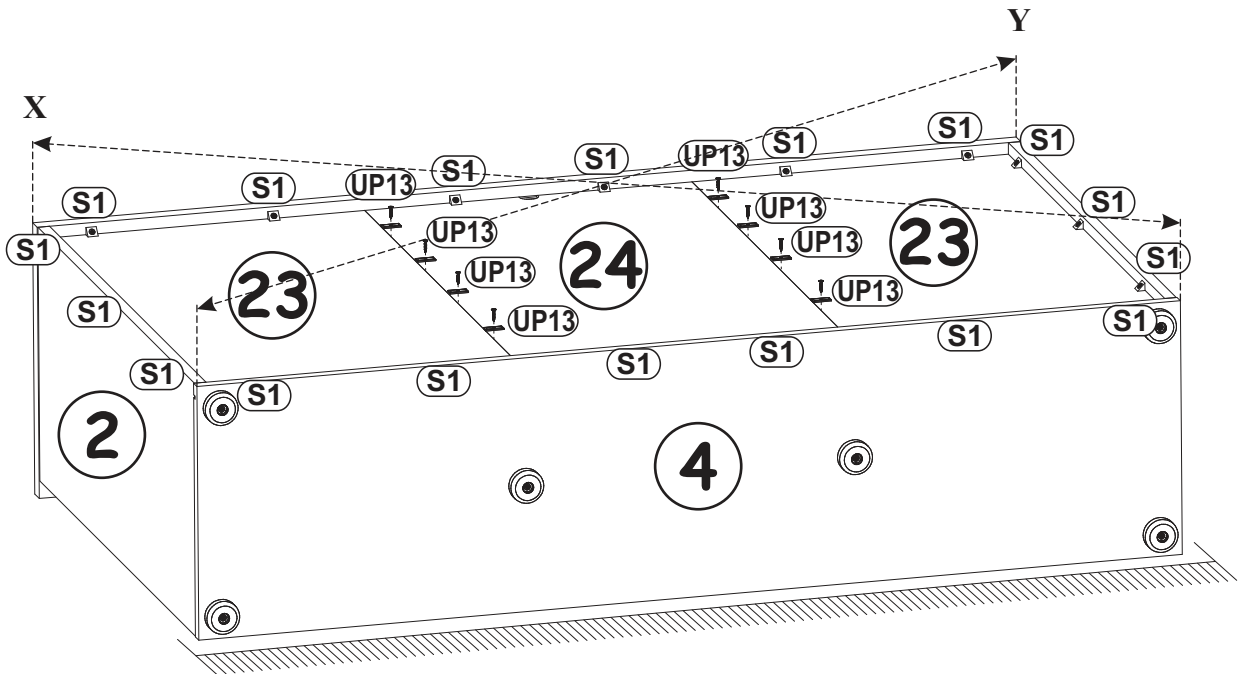
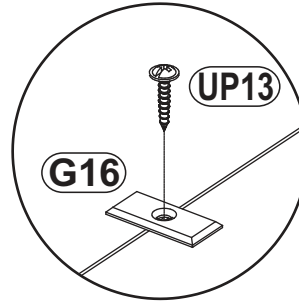
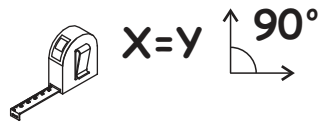


UP13	
x8	UPØ3x16

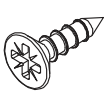
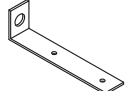

G16	
x8	

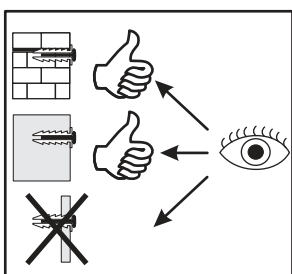
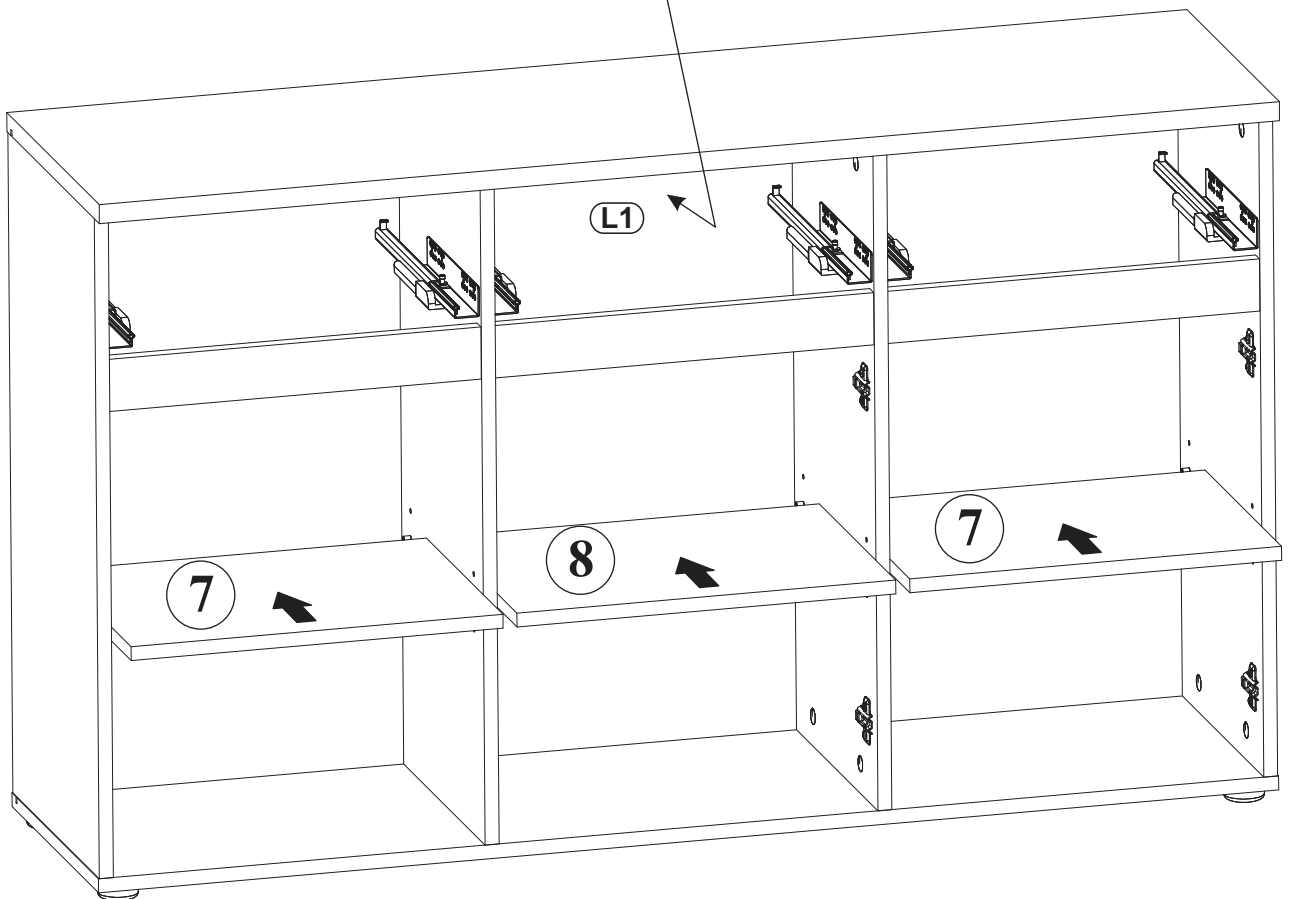
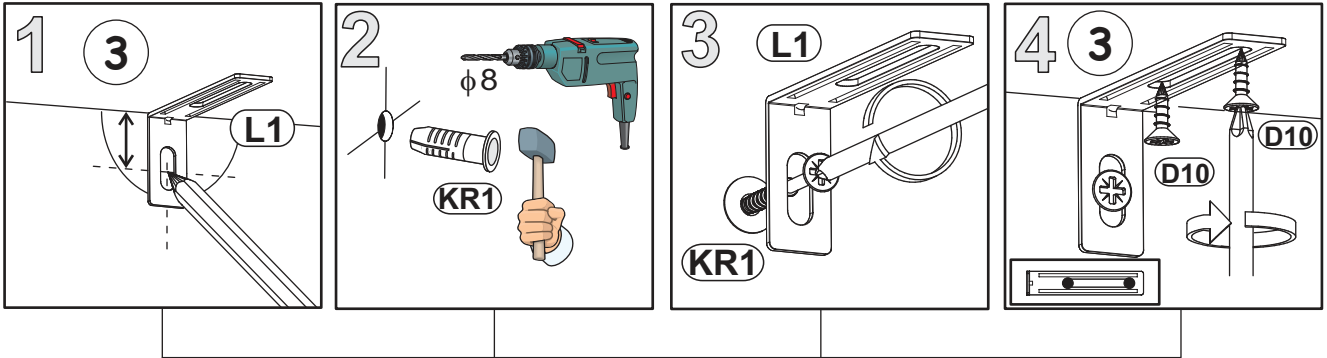
S1	
x18	

19




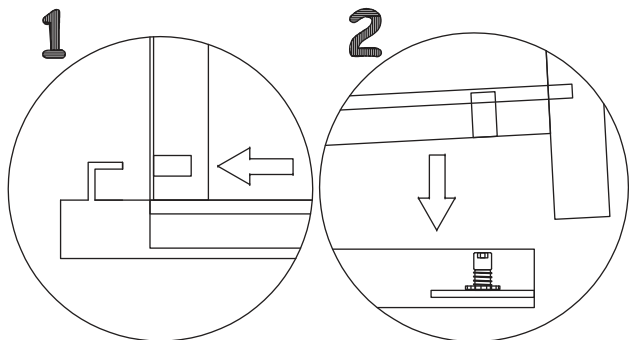
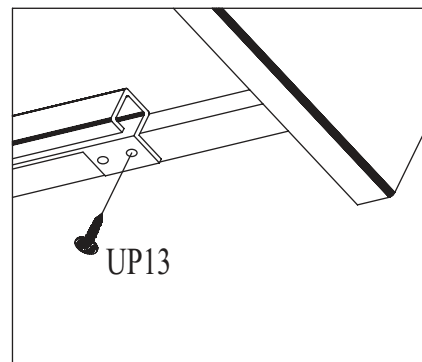
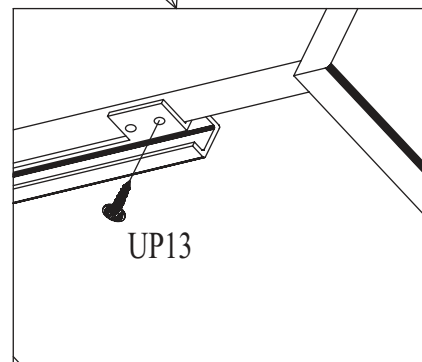
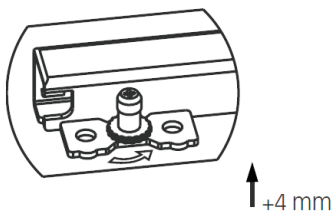
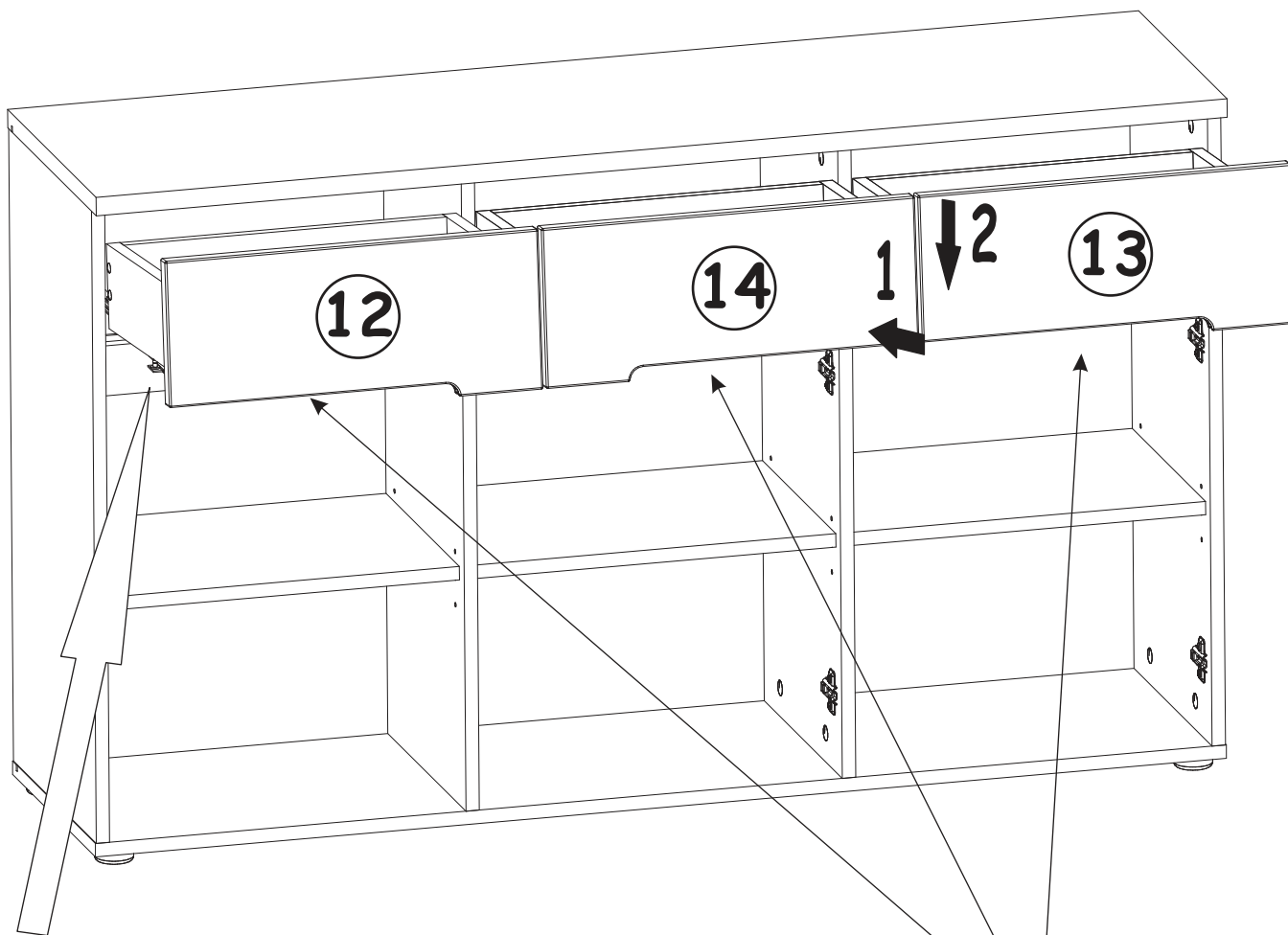
20

D10		L1		KR1	
x2	USØ3,5x13	x1		x1	



21

UP13	
x6	UPØ3x16



22

