
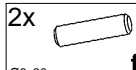
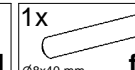
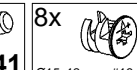
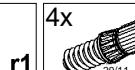
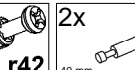
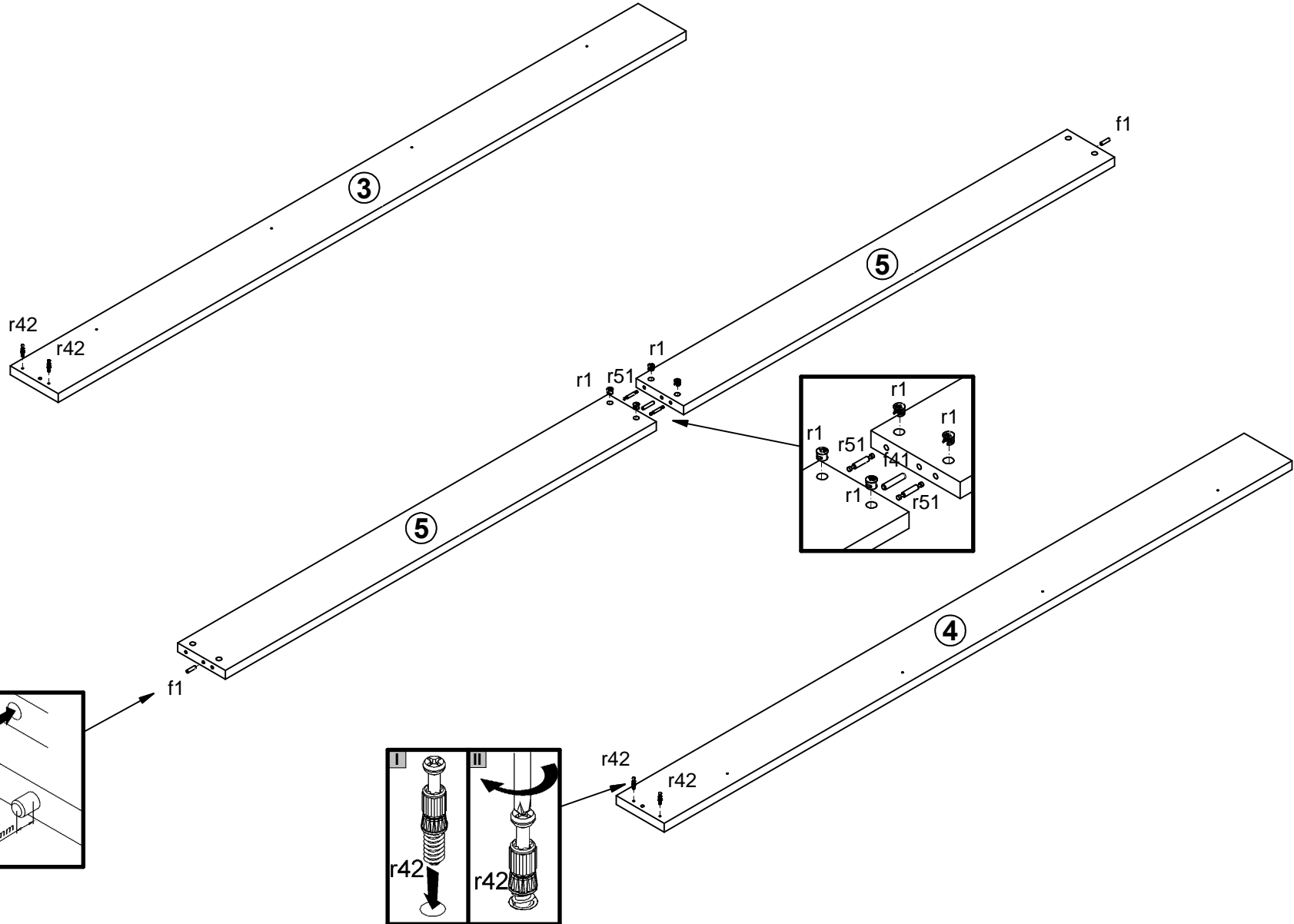


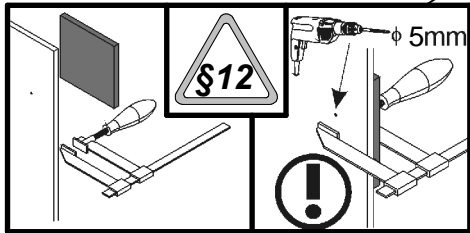
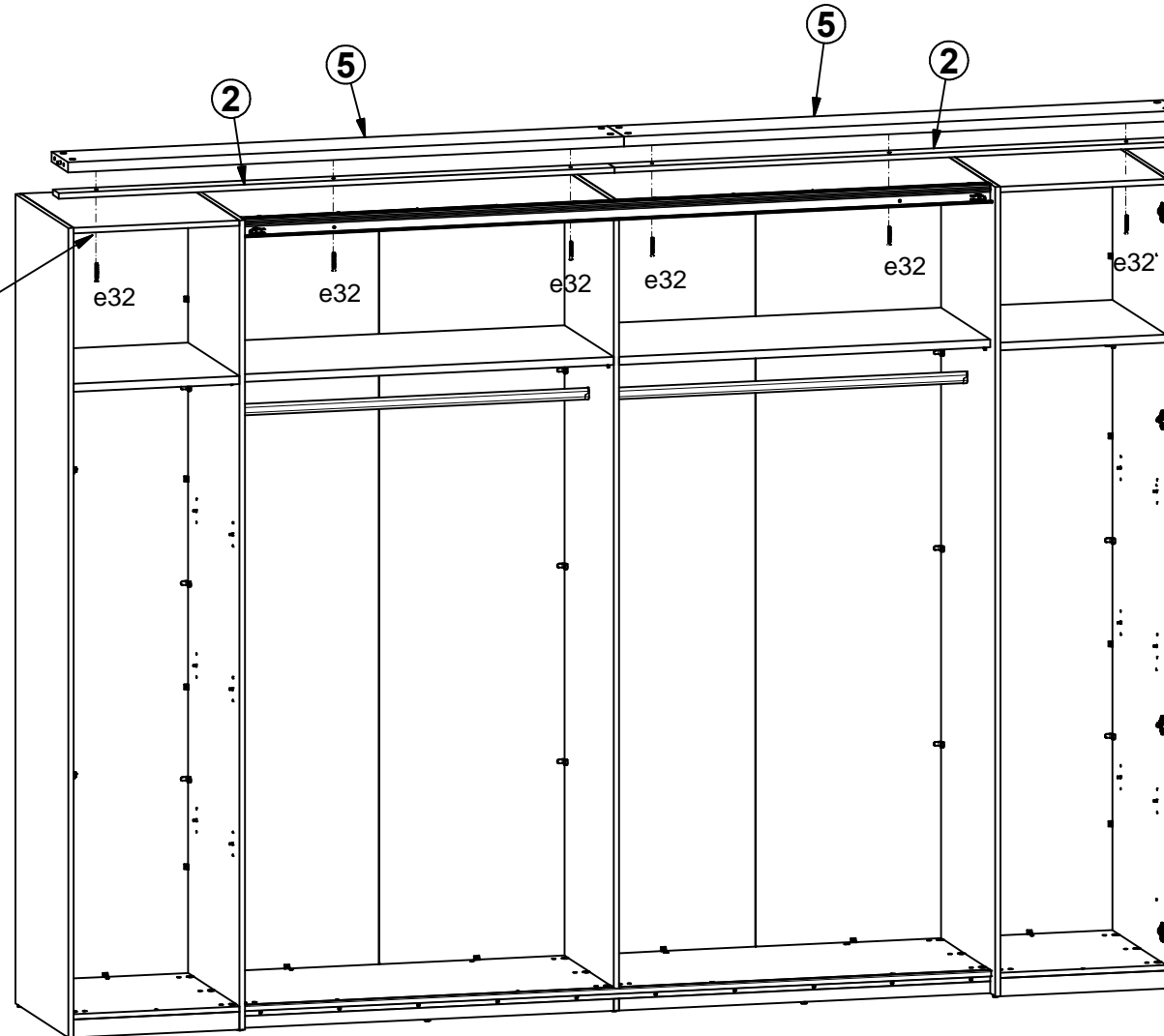
A	B	C (mm)		D
1	F36-501	2250	66	1/1
2	F36-502	1574	66	1/1
3	F36-503	2294	175	1/1
4	F36-504	2294	175	1/1
5	F36-505	1574,5	174	1/1



- 14x  e32
Ø5x50 mm
- 2x  f1
Ø8x30 mm
- 1x  f41
Ø8x40 mm
- 8x  r1
Ø15x12 mm #16
- 4x  r42
Ø8x20 mm
- 2x  r51
40 mm



2



3

