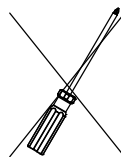
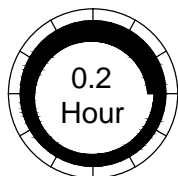
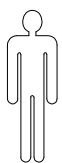
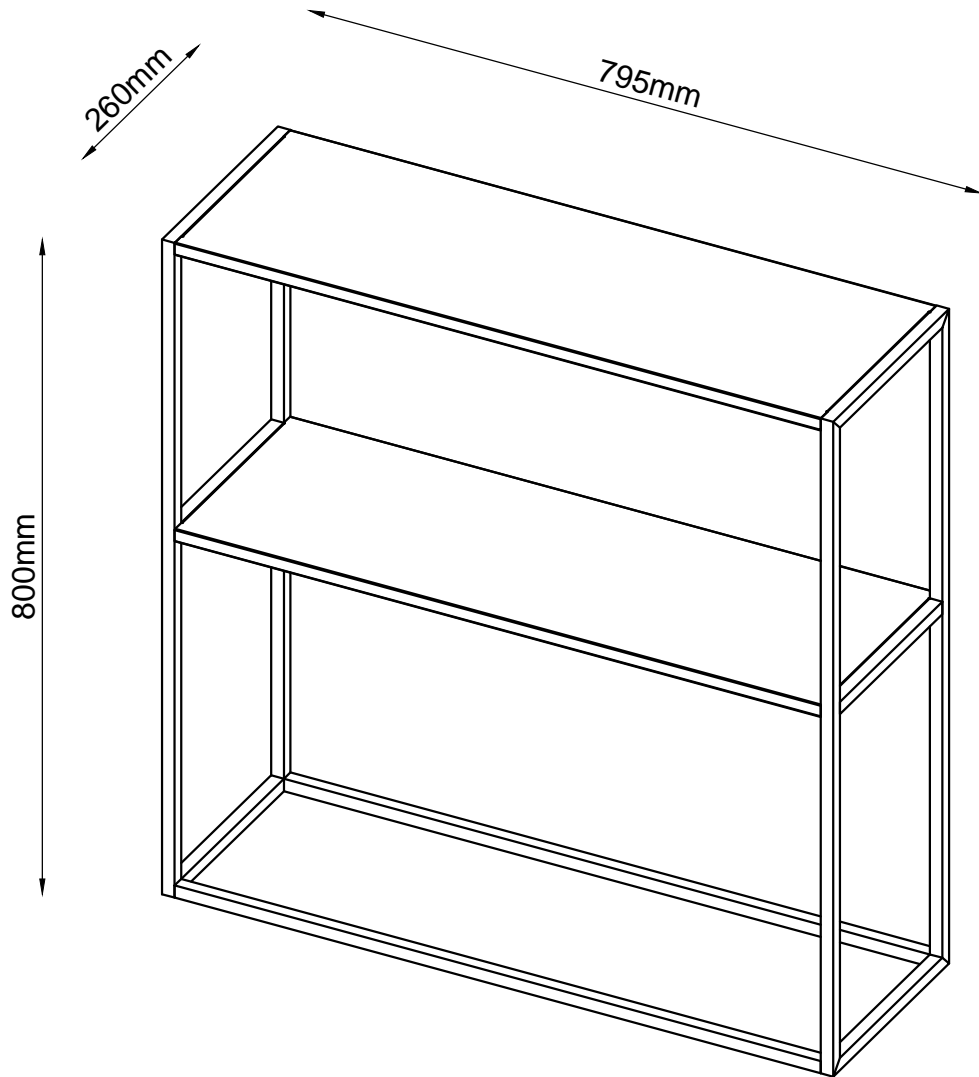
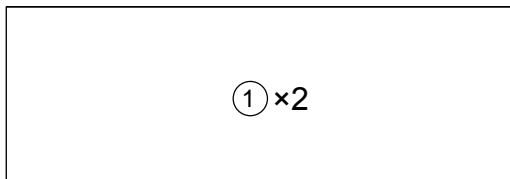
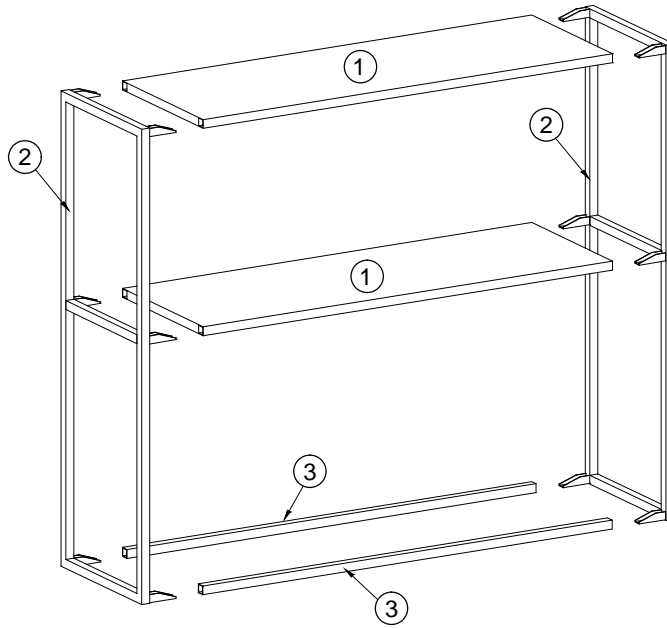


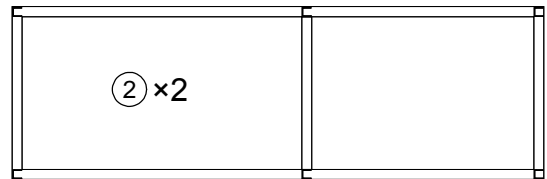
NEWTON SHELF UNIT

DIMENSION-TOLERANCE+/-2MM

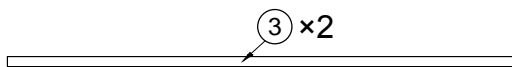




765×260×15 mm

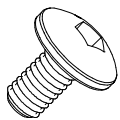


800×260×60 mm



765×15×15 mm

A × 12



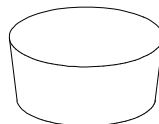
M6×12 mm

B × 1



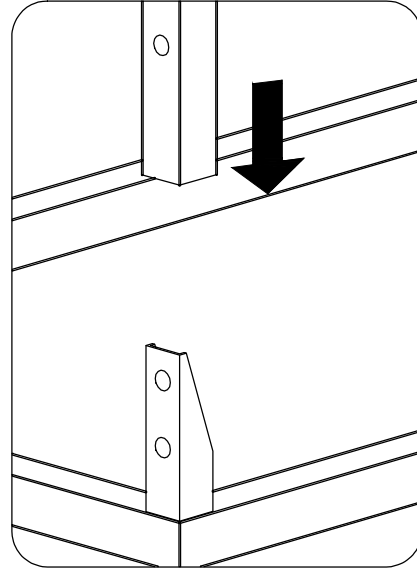
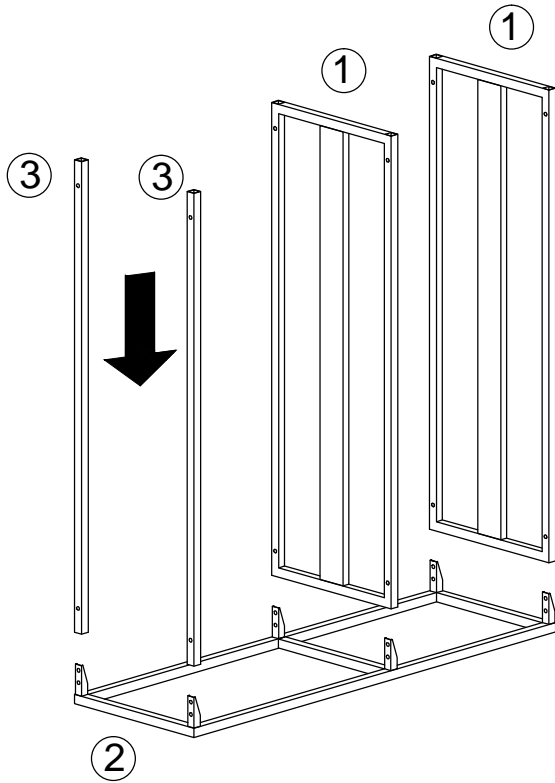
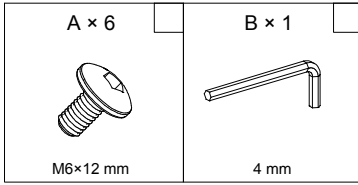
4 mm

C × 6

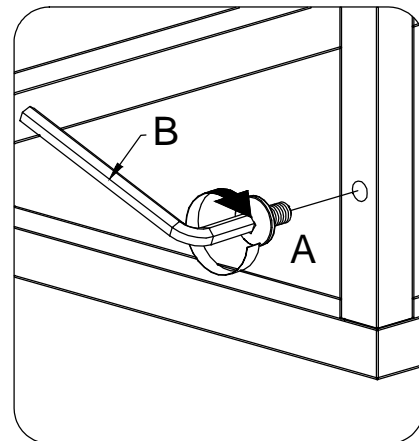
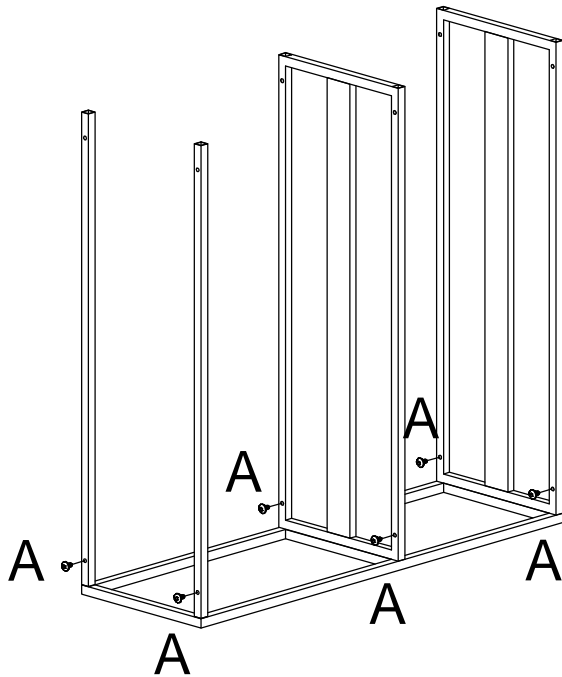


Ø12×5 mm

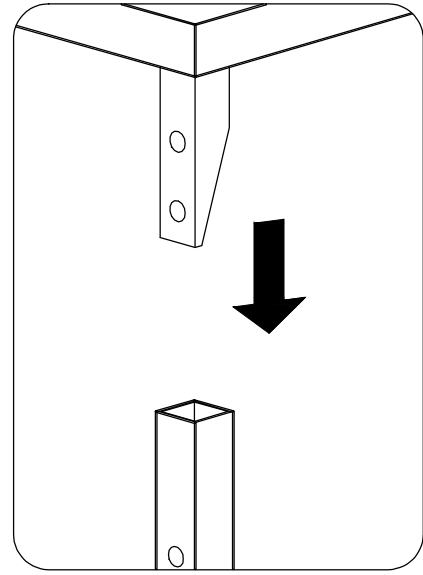
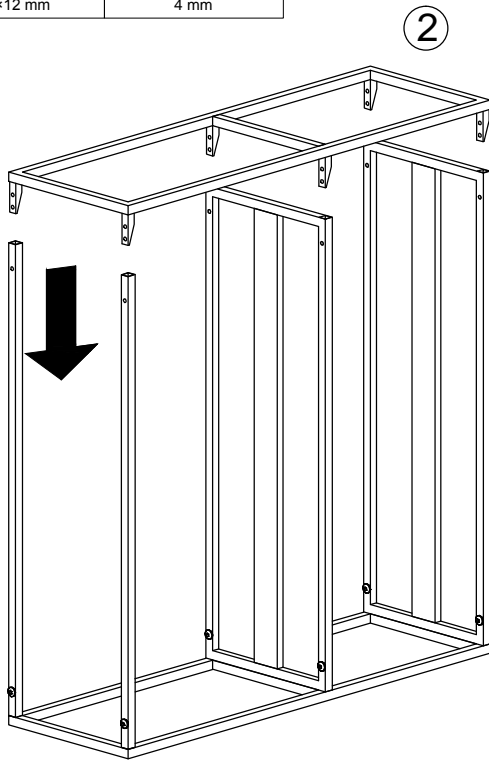
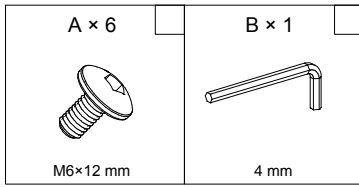
1



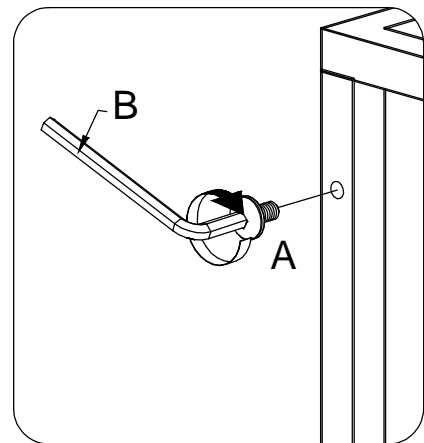
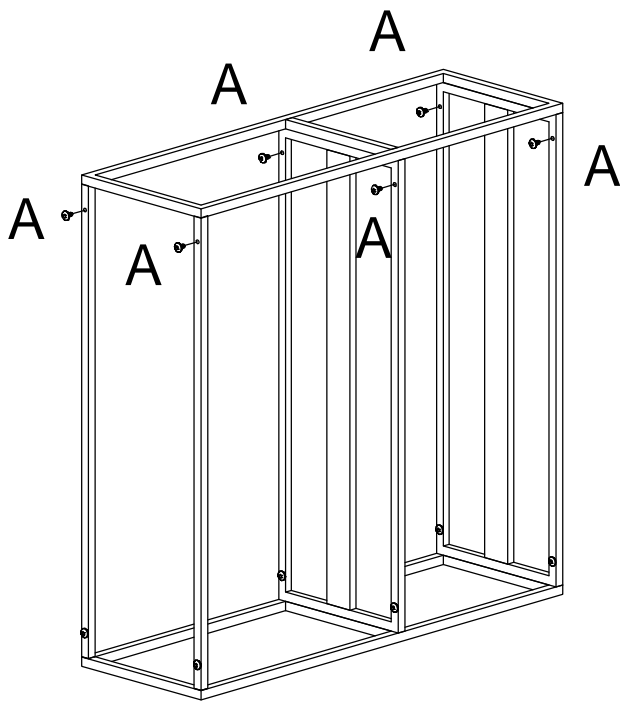
2



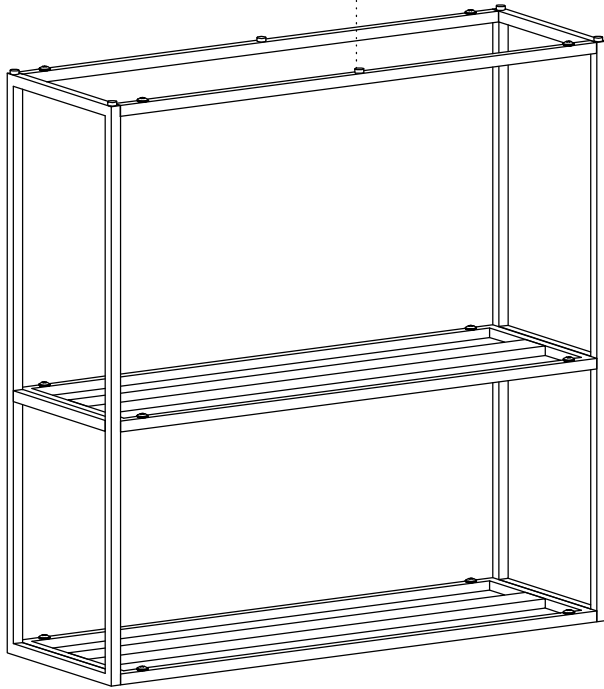
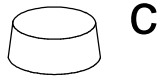
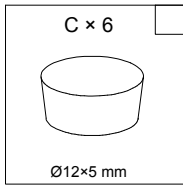
3



4



5



6

