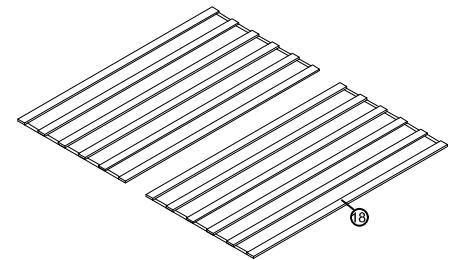
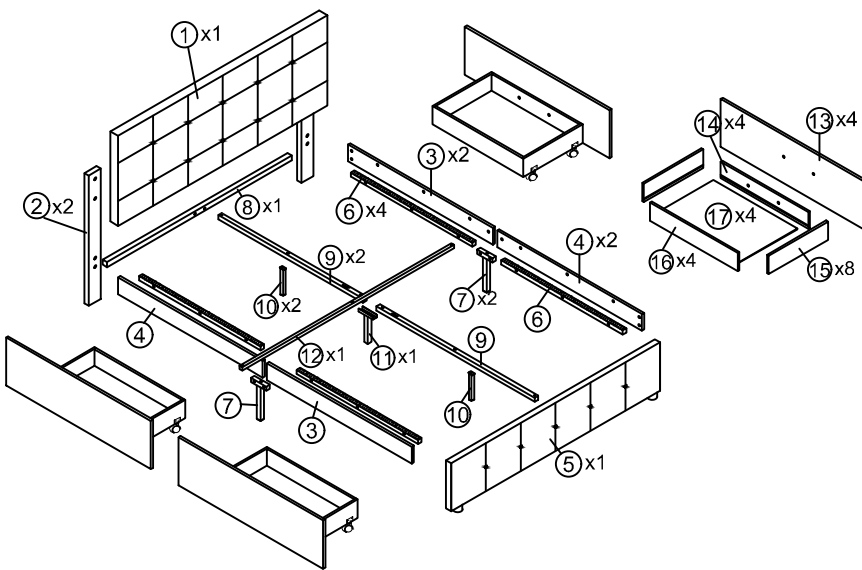
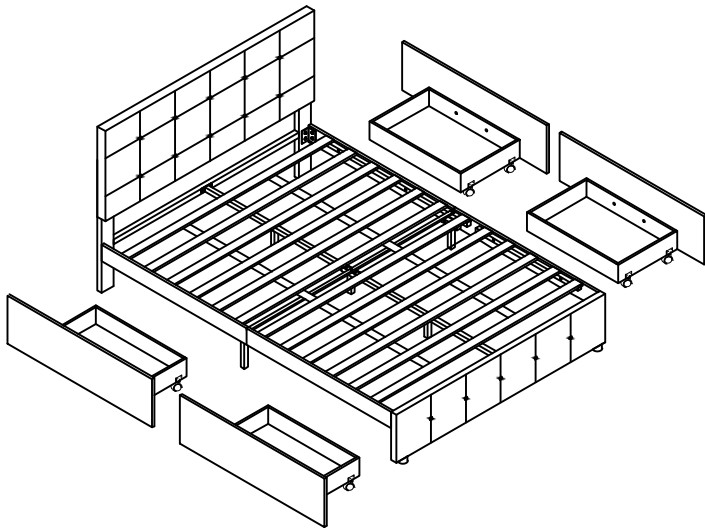


ASSEMBLY INSTRUCTION














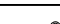
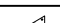


TIPS

1. Please read the instructions fully before assembly. These instructions include important information which could ensure correct assembly. We have been working on providing high quality products for you. However, in the rare instance that your product is defective, missing parts or there are some issues, please don't hesitate to contact our customer service to submit parts requirements, assembly suggestion, or warranty claims, and we will give the best solution as soon as possible. If necessary, we need you to provide some more clear pictures of the issue.

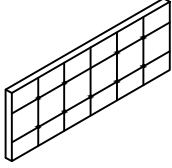

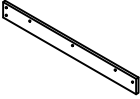
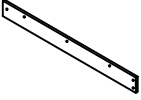

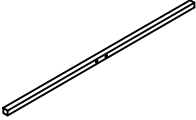
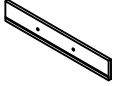
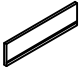
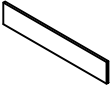
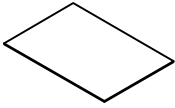
2. Insert the screws in holes and tighten the screws, but not too tight, 70%~80% is ok, finally tighten all the screws. If some issues happened that some screws can not target to the hole or some parts are difficult to install, please adjust the tightness of the screws.

3. 2 people are recommended to finish

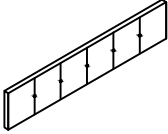

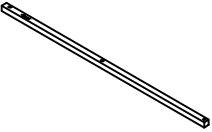



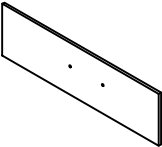
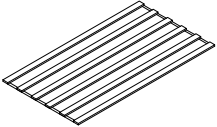
Parts List			Hardware List		
NO	ITEM	QTY	NO	ITEM	QTY
1	Head board	1	A	Allen Key 	1
2	Head board legs	2	B	Bolts (M8x50mm) 	4
3	Siderails	2	C	Bolts (M8x16mm) 	24
4	Siderails	2	D	Bolts (M8x40mm) 	25
5	Foot board	1	E	Washer 	4
6	Side rails support bar	2	F	Two hole iron 	2
7	Side rails support legs	2	G	"7" Connector 	4
8	Head board cross bar	1	H	Center support bar fittings 	2
9	Center support bar	2	J	Bolts (M8x30mm) 	8
10	Middle support leg	2	L	Nails (M4x40mm) 	2
11	Connected support leg	1	M	Legs 	2
12	Cross bar	1	O	Drawer fittings 	32
13	Drawer outer board	4	P	Drawer fittings 	32
14	Drawer board	4	Q	Nails (M3x16mm) 	48
15	Drawer board	8	R	Drawer wheel 	16
16	Drawer board	4			
17	Drawer bottom board	4			
18	Slats	12			

Part List

WF289085

<p>1</p>  <p>Head board-1pc</p>	<p>2</p>  <p>Head board leg-2pc</p>	<p>3</p>  <p>Side rails-2pcs</p>
<p>4</p>  <p>Side rails-2pcs</p>	<p>6</p>  <p>Side rails support bar-4pcs</p>	<p>8</p>  <p>Head board cross bar-1pc</p>
<p>14</p>  <p>Drawer board-4pcs</p>	<p>15</p>  <p>Drawer board-8pcs</p>	<p>16</p>  <p>Drawer board-4pcs</p>
<p>17</p>  <p>Drawer bottom board-4pcs</p>		

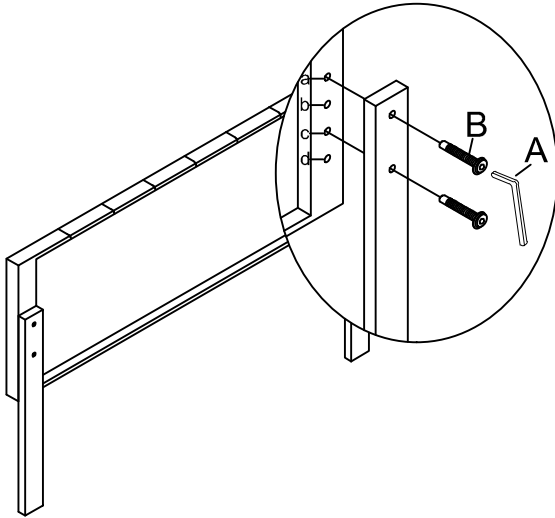
Hardware List+WF289086



<p>5</p>  <p>Foot board -1pc</p>	<p>7</p>  <p>Side rails support legs-2pcs</p>	<p>9</p>  <p>Center support bar-2pcs</p>
<p>10</p>  <p>Middle support leg-2pcs</p>	<p>11</p>  <p>Connected support leg-1pc</p>	<p>12</p>  <p>Cross bar-1pc</p>
<p>13</p>  <p>Drawer outer board-4pcs</p>	<p>18</p>  <p>Slats-12pcs</p>	

Attention: Do not tighten the screws before completing the entire installation. If you have any difficulty with the installation process, please feel free to contact us.

Step 1 x2

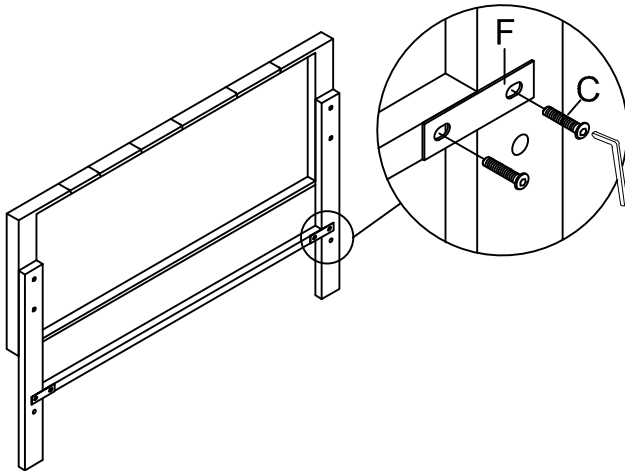
Fix the Headboard legs ② to the Headboard ① with Bolt B by using Allen key A. You can chose the hole a and c ,or b and d.






A Allen Key x 1	B Bolts x 4
	 M8X50mm

Step 2 x2

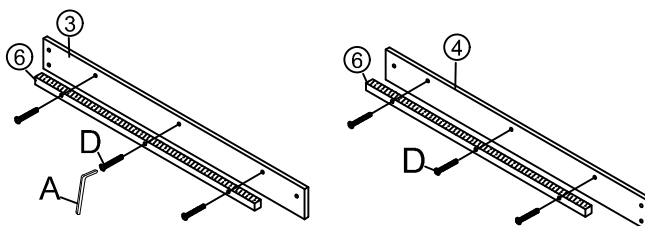
Fix the Headboard cross bar ⑨ to the Headboard legs ② with Bolt C and Two hole iron F by using Allen key A.





C Bolts x 4	F Two hole iron x 2	Allen Key
 M8X16mm		

Step 3 x2

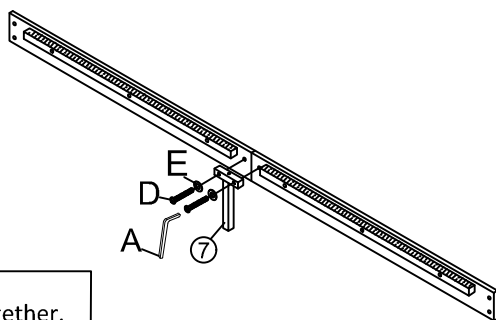
Connect Siderails ③ and ④ to Siderail support bar ⑥ with Bolts D by using Allen key A.






D Bolts x 12	Allen Key
 M8X40mm	

Step 4 x2

Fix the Siderail support leg ⑦ to the assembled siderail with Bolt D and Washer E by using Allen key A.

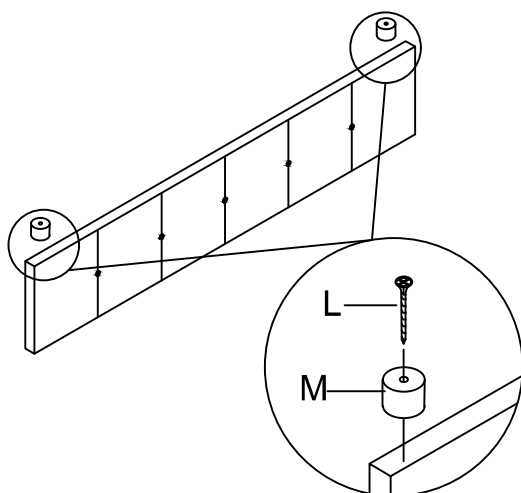


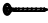


NOTICE:
Please assemble ③ and ④ together.

D Bolts x 4  M8X40mm	E Washer x 4 	Allen Key 
---	---	--

Step 5

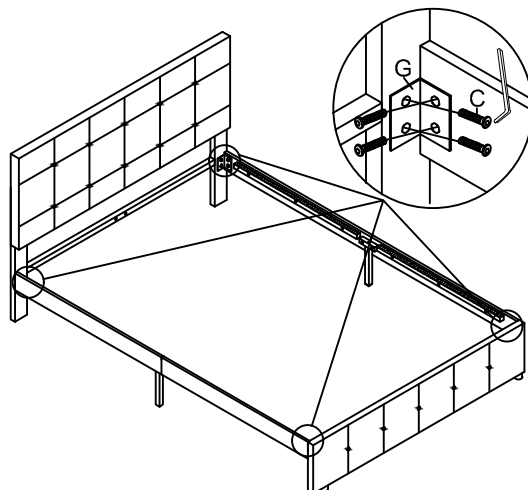
Fix the legs M to the Footboard ⑤ with Nails L by using Electric drill or Screw driver.



L Nails x 2  M4X40mm	M Legs x 2 	
---	---	---

Step 6

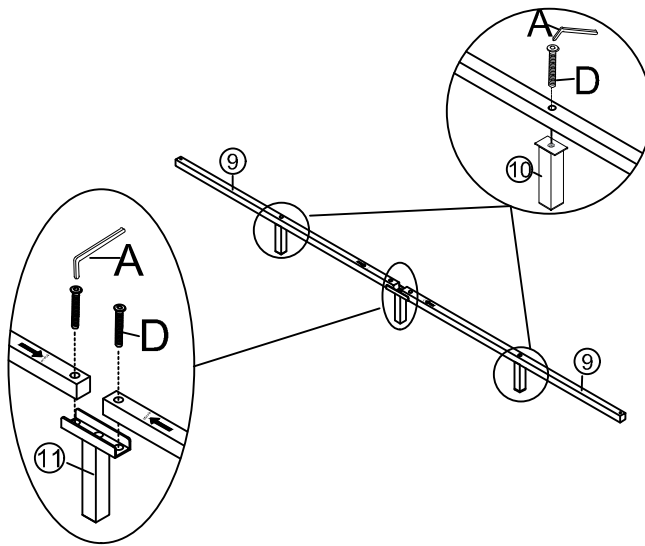
Fix the assembled siderail to the Headboard legs ② and footboard ⑤ with Bolt C and "7" Connector by using Allen key A.





C Bolts x 16  M8X16mm	G "7" Connector x 4 	Allen Key 
--	--	--

Step 7

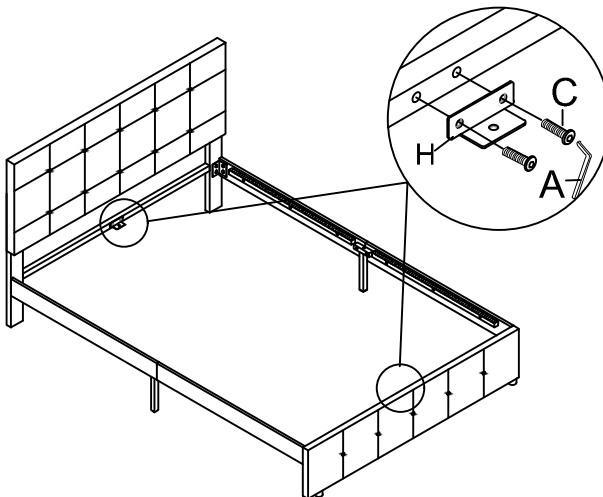
Fix the Middle support leg ⑩ to the Center support bar ⑨ with Bolt D by using Allen key A. Fix connected support leg ⑪ to the Center support bar with Bolt D by using Allen key A.






D Bolts x 4  M8X40mm	Allen Key 
---	--

Step 8

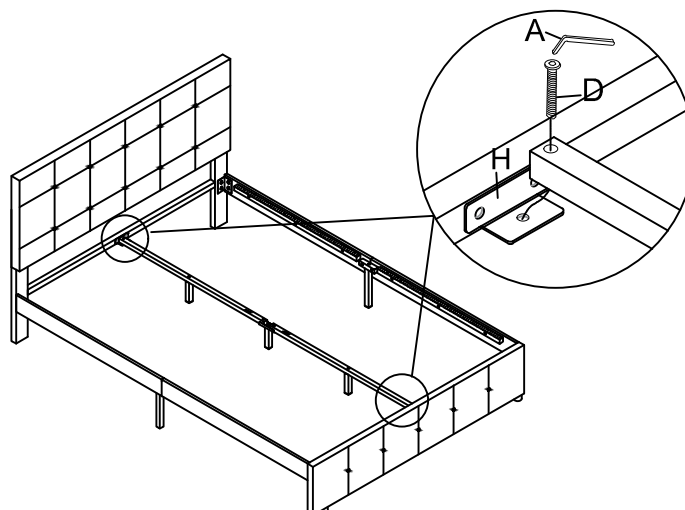
Fix the Center support bar fittings H to the Headboard cross bar ⑧ and foot board ⑤ with Bolts C by using Allen key A





Allen Key 	C Bolts x 4  M8X18mm	H Center support bar fittings x2 
--	---	---

Step 9

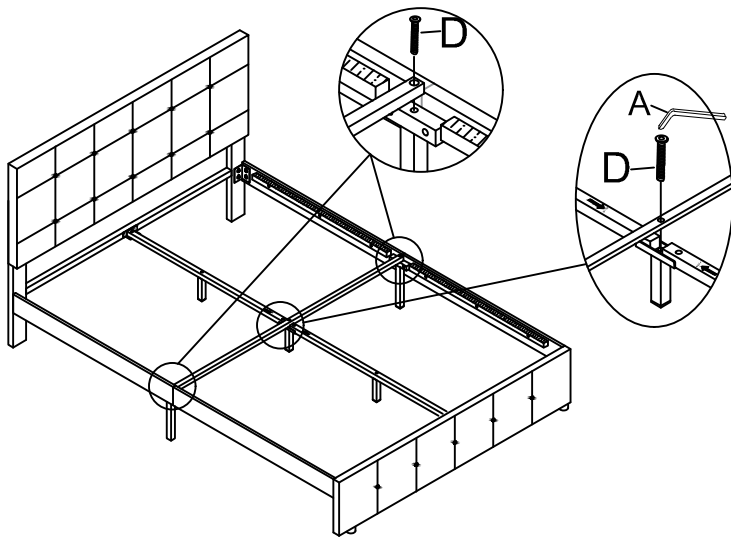
Fix the Center support bar ⑨ to the headboard cross bar ⑧ and foot board ⑤ with Bolts D by using Allen key A





D Bolts x 2  M8X40mm	Allen Key 
---	--

Step 10

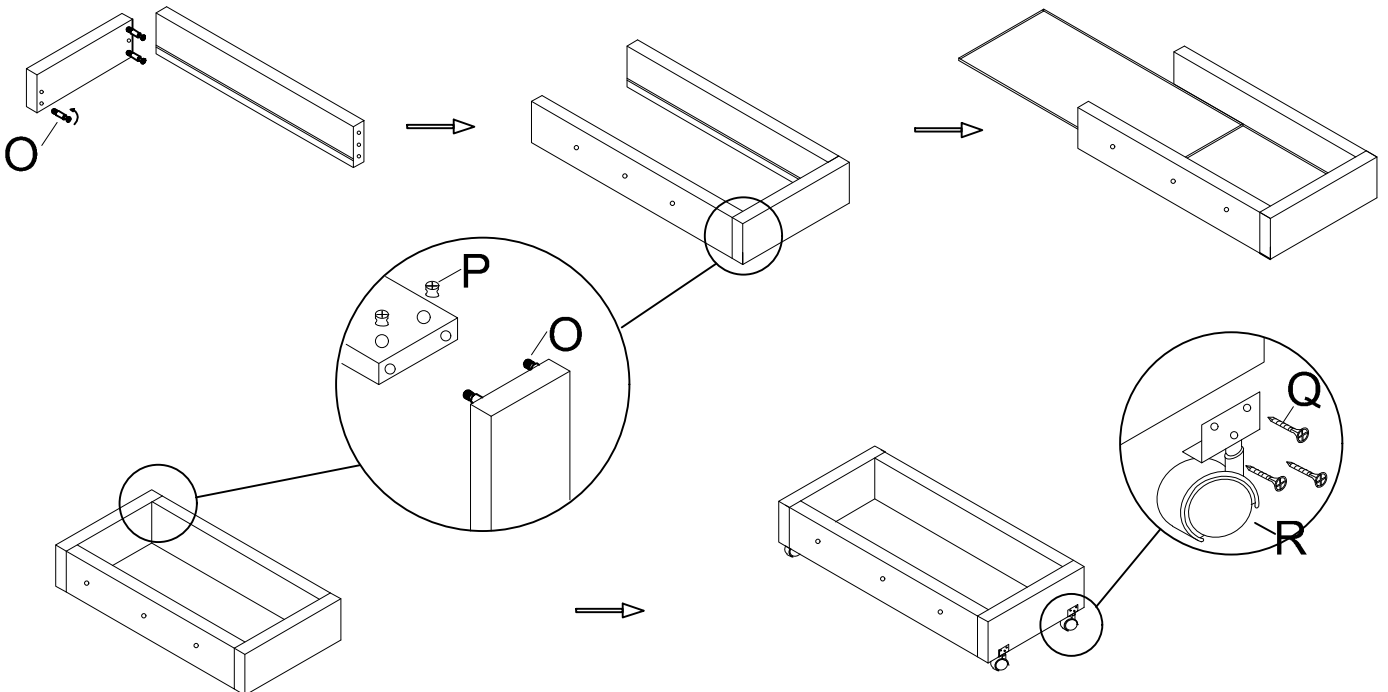
Fix the cross bar 12 to the side rails support legs 7 and Connected support legs 11 with Bolts D by using Allen key A








Allen Key 	D Bolts x 3  M8X40mm
--	---

Step 11 x4

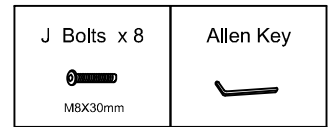
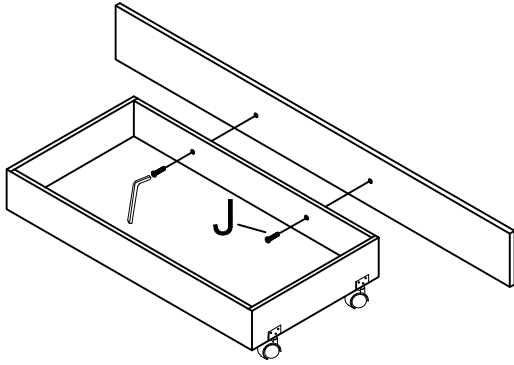
Assembled the Drawer with Drawer fittings O and P. Fix the Drawer wheel R with Nails Q by using Electric drill or Screw driver.



O Drawer fittings x 32 	P Drawer fittings x 32 	Q Nails x 48 M3X16mm 	R Drawer wheel x 16 	
---	---	--	--	---

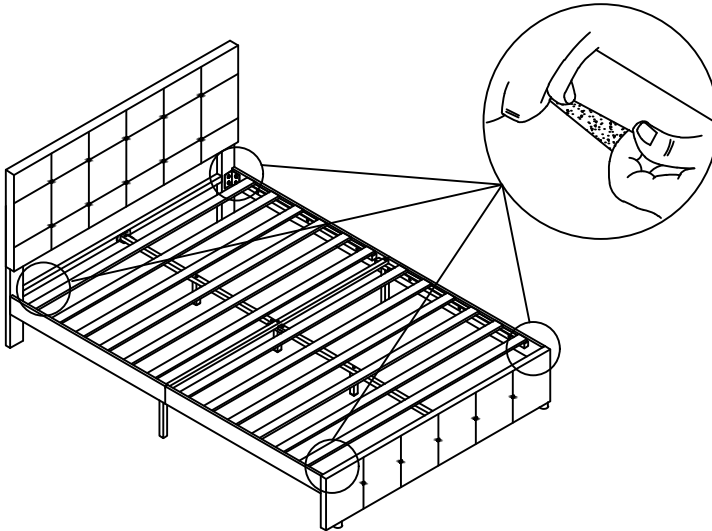
Step 12 x4

Fix Drawer outer board ⑬ to the drawer with Bolt J by using Allen key A.



Step 13

Fix the slats ⑱ to the side support bar ⑥



Step 14

Push the drawers into the bed, then assembly is finished.

