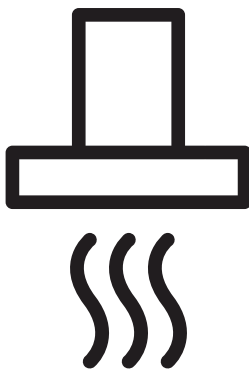


# GRUNDIG

## Hood

User Manual



GDKP5460BC

EN - DE - ES - RO - RU



01M-8899933600-0321-13

---

<b>ENGLISH</b>	<b>04 - 16</b>
<b>DEUTSCH</b>	<b>17 - 32</b>
<b>ESPAÑOL</b>	<b>33 - 49</b>
<b>ROMÂNĂ</b>	<b>50 - 67</b>
<b>РУССКИЙ</b>	<b>68 - 91</b>

## Please read this guide first!

Dear Customer,

Thank you for choosing a GRUNDIG product. We would like you to achieve the optimal efficiency from this high quality product which has been manufactured with state of the art technology. Please make sure you read and understand this guide and supplementary documentation fully before use and keep it as a reference. Include this guide with the unit if you hand it over to someone else. Observe all warnings and information herein and follow the instructions.

Keep in mind that this user guide may apply to several product models. The guide clearly indicates any variations of different models.

## Symbols and their meanings

These symbols are used throughout this guide:



Important information and recommendations regarding the use of the appliance.



**CAUTION:** Warnings on personal injury or property damage.



Electric shock warning,



Risk of fire warning.



This product has been manufactured at modern facilities respectful to the environment without harming nature.

# IMPORTANT SAFETY AND ENVIRONMENTAL INSTRUCTIONS \_\_\_\_\_

## General Safety

Important Safety Instructions Read Carefully And Keep For Future Reference This section contains safety instructions that will help protect from risk of fire, electric shock, exposure to leak microwave energy, personal injury or property damage. Failure to follow these instructions shall void any warranty.

- Grundig products comply with the applicable safety standards; therefore, in case of any damage on the appliance or power cable, it should be repaired or replaced by the dealer, service center or a specialist and authorized service alike to avoid any danger. Faulty or unqualified repair work may be dangerous and cause risk to the user.
- This appliance is intended to be used in household and similar applications such as:
  - Staff kitchen areas in shops, offices and other working environments;
  - Farm houses
  - By clients in hotels, and other residential type environments;
  - Bed and Breakfast type environments.
- Operate the appliance for its intended purpose only as described in this manual.
- The manufacturer cannot be held liable for damages resulting from improper installation or misuse of the product.
- This appliance can be used by children

aged from 8 years and above and persons with reduced physical, sensory or mental capabilities or lack of experience and knowledge if they have been given supervision or instruction concerning use of the appliance in a safe way and understand the hazards involved.

- Children shall not be allowed play with the appliance. Cleaning and user maintenance shall not be made by children without supervision.
- The minimum distance between the supporting surface for the cooking vessels on the hob and the lowest part of your product must be at least 65 cm.
- If the instructions for installation for the gas hob specify a greater distance, this has to be taken into account.
- Make sure that your mains power supply complies with the information supplied on the rating plate of the appliance.
- Never use the appliance if the power cable or the appliance itself is damaged.
- Prevent damage to the power cable by not squeezing, bending, or rubbing it on sharp edges. Keep the power cable away from hot surfaces and naked flame.
- Use the appliance with a grounded outlet only.

**WARNING:** Do not connect the appliance to the mains until the installation is fully complete.

## IMPORTANT SAFETY AND ENVIRONMENTAL INSTRUCTIONS

- Place the appliance in a way so that the plug is always accessible.
- Do not touch the lamps if they have operated for a long time. They can burn your hands since they will be hot.
- Follow the regulations set out by competent authorities on discharge of the exhaust air (this warning is not applicable for use without Chimney).
- Operate your appliance after putting a pot, pan etc. on the hob. Otherwise, high heat may cause deformation in some parts of your product.
- Turn off the hob before taking the pot, pan etc. from it.
- Do not leave hot oil on the hob. Pans with hot oil may cause self combustion.
- Pay attention to your curtains and covers since oil may catch fire while cooking food such as fries.
- Grease filter must be replaced at least monthly. Carbon filter must be replaced at least every 3 months.
- Product shall be cleaned accordance with user manual. If cleaning was not carried out in accordance with user manual, there may be fire risk.
- Do not use non-fire-resistant filtering materials instead of the current filter.
- Only use the original parts or parts recommended by the manufacturer.
- Do not operate the product without the filter and do not remove the filters while the product is running.
- In the event of be started any flame, de-energize your product and cooking appliances.
- In the event of be started any flame, cover the flame and never use water to extinguish.
- Unplug the appliance before each cleaning and when the appliance is not in use.
- The negative pressure in the environment should not exceed 4 Pa (4 x 10 bar) while the hood for electric hob and appliances running on another type of energy but electricity operate simultaneously.
- In the environment where the appliance is being used, the exhaust of devices running on fuel oil or gas, such as room heater must be absolutely isolated or device must be hermetical type.
- When connecting the Chimney, use pipes with a diameter of 120 or 150 mm. Pipe connection must be as short as possible and have as few elbows as possible.

**Danger of choking!** Keep all the packaging materials away from children.

**CAUTION:** Accessible parts may become hot when used with cooking appliances.

- The product outlet must not be connected to air channels that include other smoke.
- The ventilation in the room may be insuf-

# IMPORTANT SAFETY AND ENVIRONMENTAL INSTRUCTIONS

efficient when the hood for electric hob is used simultaneously with the devices operating on gas or other fuels (this may not apply to appliances that only discharge the air back into the room).

- Objects placed on the product may fall. Do not place any objects on the product.
- Do not flambe under the your product.

**WARNING:** Before installing the Hood, remove the protective films.

- Never leave high naked flames under the hood when it is in operation
- Deep fat fryers must be continuously monitored during use; overheated oil can burst into flames.

## Compliance with the WEEE Directive and Disposing of the Waste Product:

This product complies with EU WEEE Directive (2012/19/EU). This product bears a classification

symbol for waste electrical and electronic equipment (WEEE).



This symbol indicates that this product shall not be disposed with other household wastes at the end of its service life. Used device must be returned to official collection point for recycling of electrical and electronic devices. To find these collection systems please contact to your local authorities or retailer where the product was purchased. Each household performs important role

in recovering and recycling of old appliance. Appropriate disposal of used appliance helps prevent potential negative consequences for the environment and human health.

## Compliance with RoHS Directive

The product you have purchased complies with EU RoHS Directive (2011/65/EU). It does not contain

harmful and prohibited materials specified in the Directive.

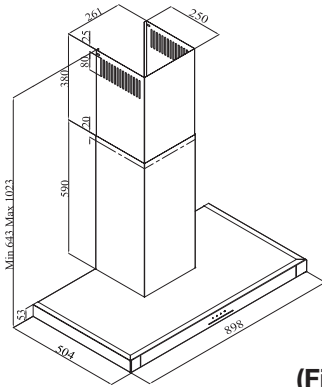
## Package Information



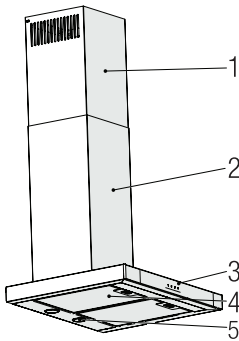
Packaging materials of the product are manufactured from recyclable materials in accordance with our National Environment Regulations. Do not dispose of the packaging materials together with the domestic or other wastes. Take them to the packaging material collection points designated by the local authorities.

# GENERAL APPEARANCE

## Overview



(Figure 1).



1. Inner Chimney
2. Outer Chimney
3. Control Panel
4. Aluminum Grease Filter
5. Lighting

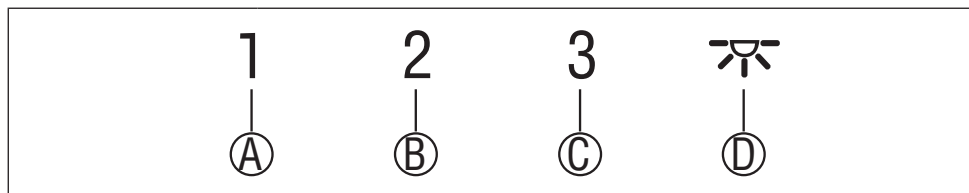
(Figure 2)

## Technical Data

Model	GDKP5460BC
Supply voltage	220-240V ~ 50 Hz
Lamp Power	2 x 3 W
Motor Power	210 W
Flow rate (m <sup>3</sup> /h) – 3. Level	645 m <sup>3</sup> /h
Insulation Class of Motor	Class F
Insulation Class	Class I

# OPERATION OF THE APPLIANCE

## Controlling the Appliance



KEY	FUNCTION
(A) : 1. Stage Button	Operates the appliance on 1st speed. When you press this button again to turn off the appliance, the screen speed stage turns off.
(B) : 2. Stage Button	Operates the appliance on 2nd speed. When you press this button again to turn off the appliance, the screen speed stage turns off.
(C) : 3rd Stage Button	Operates the appliance on 3rd speed. When you press this button again to turn off the appliance, the screen speed stage turns off.
(D) : Light On / Off	You may illuminate the cooking area by pressing this button. Re-press the button to turn off the lamp.

### Energy Efficient Usage

- When using your appliance, adjust the speed settings according to vapour and odour intensity, in order to save energy.
- Use low speeds (1-2) under normal conditions, and high speed (3) for intense odour and vapour.
- The lamps on the hood are placed for illuminating the cooking area.

Using them for environmental lighting shall cause unnecessary energy expenditure and insufficient lighting.

### Operating the Hood

- Your appliance contains a motor that has various speeds.
- For better performance, we recommend using low speeds under normal conditions and high speeds in cases of strong odours and intense vapour.
- You can start your appliance by pressing on the desired speed setting button. (A, B, C)
- You may illuminate the cooking area by pressing the lamp (D).

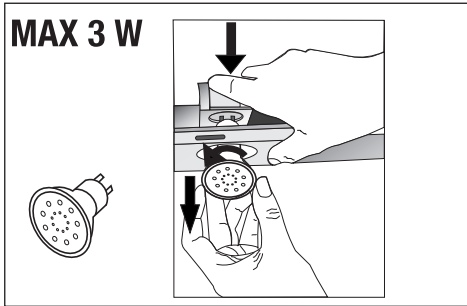
### Automatic Stop

Your appliance has Automatic Stop feature, enabling it to ventilate for a bit more and remove the unwanted odours and vapour inside the environment and turn off automatically after the cooking is done. To enable Automatic Stop feature, press the any speed stage button (A, B, C) on the control panel for longer than 2 seconds; the 15-minute timer function shall be activated. When the automatic stop feature is active, pressing the same speed button shall disable the automatic stop function and the appliance's motor shall stop. This feature is disabled when you switch between different speed stages. If you want the appliance to stop automatically, you need to enable the automatic stop feature again.



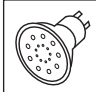
# OPERATION OF THE APPLIANCE

## Replacement of Lamp

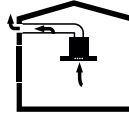


(Figure 3)

Make the electrical connections of the appliance. Your appliance uses 3W spot LED lamp. For replacing the lamps, push downwards on the holder from its behind, turn it counter-clockwise, and take it out downwards. Apply the above operation in reverse to install new lamps (Figure 3).

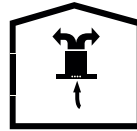
Bulb	
Bulb Power (W)	3
Holder / Socket	GZ 10
Bulb Voltage (V)	220 - 240
Size (mm)	53 x 50
ILCOS Code	DR/F3-220-240-GZ10-50-53

## Operation with Chimney Connection



- Vapour is extracted through the flue duct, which is fastened to the connection head on the hood.
- The diameter of the flue duct must be the same as the connection ring. In horizontal settings, the pipe has to have a slight upward slope (around 10°) so that the air can exit the room easily.

## Operation without Chimney Connection



- Air is filtered through the carbon filter and recirculated in the room. Carbon filter is used when it is impossible to use a flue in the house.
- In flueless use, remove the flaps inside the flue adapter.
- Remove the aluminum grease filter. To install the carbon filter, fit the filter to the tabs by centring it on the plastic piece on both sides of the fan body. tighten it by turning right or left.
- Replace aluminum grease filter.

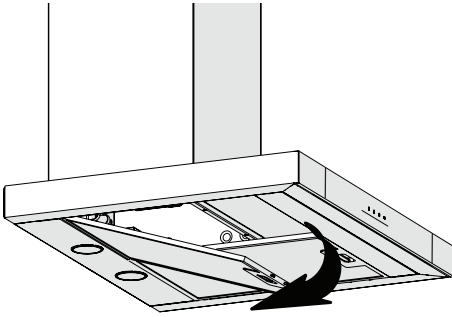
# CLEANING AND MAINTENANCE



Before cleaning and maintenance, unplug the product or turn off the switch.

## Cleaning of Aluminum Grease Filter

Aluminum grease filter is used to retain the oil particles in the air. Aluminum grease filter may change colour after repeated cleaning. This is normal, and you do not have to replace your filters.



**(Figure 4)**

- Push the aluminum grease filter lock forward.
- Then pull it slightly down and pull it out (Figure 4). Otherwise, you may bend the filter. Wash and rinse aluminum grease filter with liquid detergent and replace aluminum grease filter to their seats by carrying out the steps specified above in reverse order. These aluminum grease filter are used to retain the oil particles in the air.



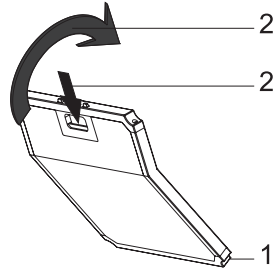
You may also wash the aluminum grease filter in the washing machine.



### CAUTION

In case of normal use, clean your aluminum grease filter once in a month.

## Replacement of Carbon Filters



**(Fig. 5)**

The appliance you have purchased is appropriate for use with carbon filters.

- Remove the aluminum grease filter (Figure 4).
- Place the lower part of the carbon filter to the motor cabinet (Figure 5).
- Press on the tab of the carbon filter and push it forward, and ensure that the tabs of carbon filter are engaged and locked. (Figure 5).
- Attach the aluminum grease filter.



### CAUTION

Carbon filter shall never be washed.



### CAUTION

Replace carbon filters once every 3 months.



### CAUTION

You can obtain the carbon filter from the authorized services.

# INSTALLATION OF APPLIANCE

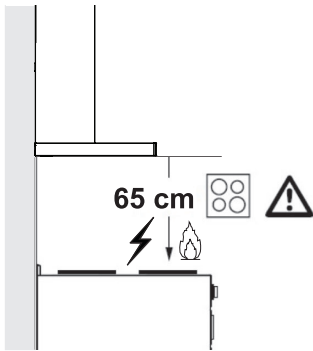
**WARNING!**  
Before starting the installation, read the safety information on User Manual.

**WARNING!**  
Failure to install with screws and stabilizers in accordance with these instructions may result in electric shock.

For the installation of the hood, please contact the nearest Authorized Service.

It is the customer's responsibility to prepare the location and electrical installation of the hood.

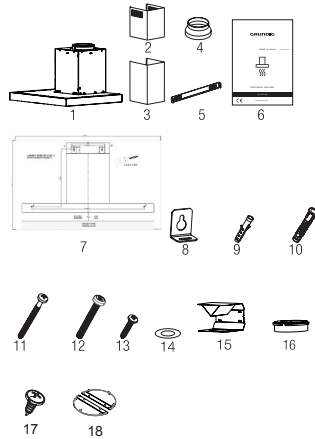
## Position of the Appliance



(Figure 6)

- Distance between the cooker and the cooker hood must be considered prior to assembly. This distance should be 65 cm (Figure 6).
- Distance must be measured from the surface of grate for gas cookers,
- from surface of glass for electric cookers.

## Installation Accessories



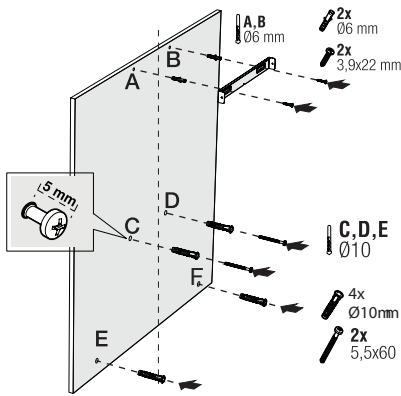
1. Product
2. Inner Chimney
3. Outer Chimney
4. Ø150/120 mm Plastic Flue Adapter
5. Chimney Connection Plate
6. User Manual
7. Assembly Pattern
8. 2 x Hanging Plates
9. 6 x Ø6 mm Plastic Dowel
10. 4 x Ø10 mm Plastic Dowel
11. 4 x 5.5 x 60 Wall Mount Screw
12. 2 x M5 x 35 Hanging Plate Connection Screw
13. 6 x 3.9 x 22 Chimney Connection Plate Screw
14. 2 x M4 Washer
15. Air Baffle
16. Plastic Adapter (Air Diverter)
17. 2 x 3.5 x 9.5 Chimney Connection Plate Screw
18. Chimney Clamp

The information required to make the location suitable for the installation of the hood is given below.


# INSTALLATION OF APPLIANCE

## Wall Mounting

- Wall must be flat, straight and have the sufficient bearing capacity.
- Depth of drilling holes must comply with the length of bolts.
- The bolts and dowels provided are suitable for brick walls. For other construction material (e.g. drywall, plate, porous concrete), suitable fixing dowels and nuts shall be used.



(Figure 7)



**CAUTION**  
Before drilling, ensure that there are no power, gas or water pipes in the close proximity of the drilling locations.

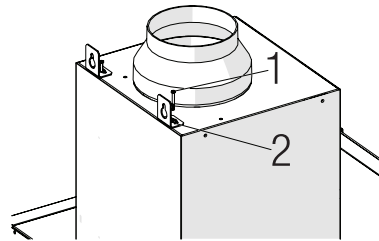
Draw a mid location line from the ceiling perpendicular to the lower edge of the hood ( ).

Fix the assembly scheme on the wall. For points A and B, take the maximum dimensions of the hood as reference, and drill points A and B you have marked with a Ø6mm drill bit, and tap Ø6mm plastic wall plugs. Install

the chimney connection plate to the wall with 2 pieces of 3.9x22 screws (Figure 8).

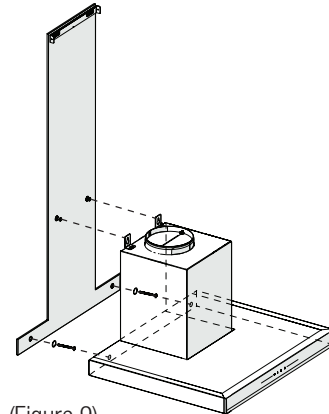
To install the hood body, drill points C,D,E,F specified in the installation template with a Ø10mm drill bit and tap Ø10mm plastic dowels to these points (Figure 8).

Install 2 pieces of 5.5x60 mounting screws to points C and D with a clearance of 5 mm between the screw head and the wall (Figure 8).



(Figure 8)

Install two pieces of hanging plates to the body of the hood with M5x35 mounting screws (Figure 8).



(Figure 9)

# INSTALLATION OF APPLIANCE

Hold the cooker hood by its body and place it on the mounting screws on the wall and tighten the screws (Figure 9).

Install M4 washers to the 5.5x60 suspension screws. Secure the cooker hood with 5.5x60 screws to the wall through the mounting hole on the interior of the appliance (Figure 9).

## Connecting to Chimney

If you are going to use the  $\varnothing$  120/150 mm plastic Chimney adapter, connect one end of the pipe to this adapter, if you are not going to use it, to the direct output on the product. Connect the other end of the pipe to your Chimney. Check that these two connections are tight enough so they will not come out when the appliance runs on full power. Check if the flaps inside the Chimney operate when they are tightened

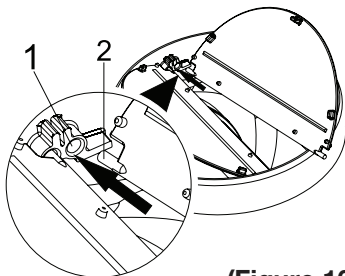
with clamps. Connect the Chimney connection duct outside the adapter (Figure 11/a). If the connection duct is fitted inside the adapter, suction of air shall not occur as the Chimney flap that prevents the return of air will remain closed (Figure 11 / b). The length of the pipe connection as well as the number of elbows must be as minimum as possible.

A : Chimney exit pipe

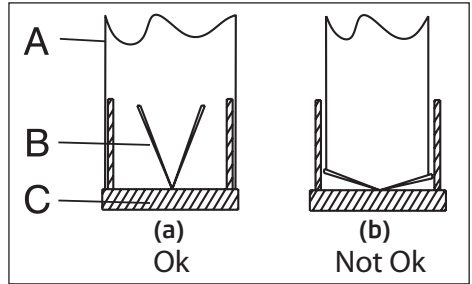
B : Non return flaps

C: Plastic flue

The valves are closed then the appliance is not operating and prevent possible outside odour and dust from entering inside.



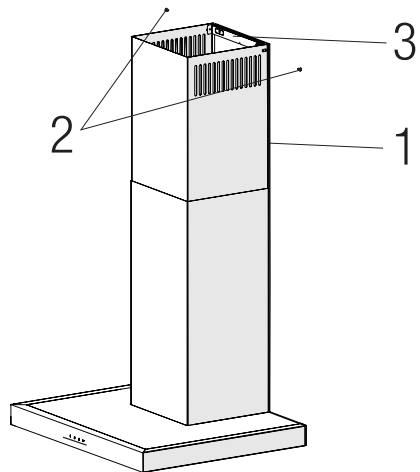
(Figure 10)



(Figure 11)

## Installation of the Hood to the Chimney

Make the electrical connection of your hood before starting the installation of the Chimney. Slip the Chimney plates around the body. Install the Chimney plate to the Chimney fastening plate that is secured to the wall from its upper outer edges (Figure 12).



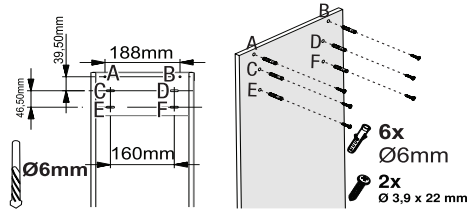
(Figure 12)

1. Inner Chimney
2. 3.5x9.5 Screw
3. Chimney Connection Plate

# INSTALLATION OF APPLIANCE

## Installation of Air Baffle

While using with the carbon filter, air baffle is provided with your appliance with the aim of re-releasing the air which is cleaned with carbon filter from the perforated located on the Chimney. Assemble the air baffle as below.



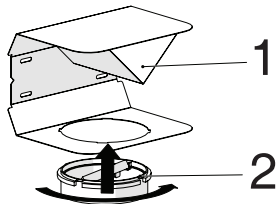
**(Fig. 13)**

There is a tab in the middle of the Chimney connection plate. Place the middle point of this tab on the line that is drawn perpendicular to the wall. Align horizontally and mark the holes where the connection plate will be mounted via a pen (Figure 13 / A, B).

Drill the marked points with Ø6mm drill and insert two Ø6mm plastic dowels in the drilled holes (Figure 13 / A, B).

Fix the Chimney connection plate to the wall with 3.9x22 screws (Figure 13/ A, B).

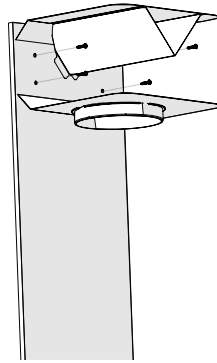
For air baffle assembly, install point C, D, E, F with Ø6mm drill and Ø6mm plastic dowels (Figure 13).



**(Fig. 14)**

- 1- Air Baffle
- 2- Plastic Chimney

Attach the plastic Chimney adapter, which is included in the package, in the direction of the air baffle. Lock the Chimney adapter by turning it in the direction of the arrow (Figure 14).



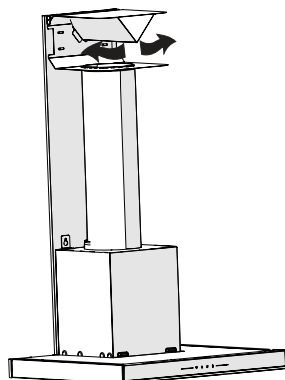
**(Figure 15)**

Assemble the air baffle group with 3.9 x 22 screws from point C, D, E, F that you have already prepared (Figure 13).

Assemble the hood body (Page 12 / Figure 7).

## INSTALLATION OF APPLIANCE

---



**(Fig. 16)**

### 1- Aluminium Air Outlet Pipe

Make the air outlet pipe assembly (Figure 16).



Since twists and bends in the aluminium pipe will lead to reduction in the air suction power, avoid using twists and bends as much as possible.

Install the Chimney plates of the hood (Page 13 / Figure 12)

## TROUBLESHOOTING

Troubleshooting	Root Cause	Help
Appliance is not working.	Check your fuses.	Fuse may be blown, inspect and restore it.
Appliance is not working.	Check the electrical connection.	Mains voltage shall be between 220 and 240 V.
Appliance is not working.	Check the electrical connection.	Check if other appliance in your kitchen operate.
Illumination light does not operate.	Check the electrical connection.	Mains voltage shall be between 220 and 240 V.
Illumination light does not operate.	Inspect the lamp switch.	Lamp switch shall be at "on" position.
Illumination light does not operate.	Inspect the lamps.	The lamps of the appliance shall illuminate.
Air inlet of the appliance is inadequate.	Inspect the aluminium filter.	Under normal operating conditions, aluminum grease filter shall be cleaned at least once in a month.
Air inlet of the appliance is inadequate.	Check the air discharge chimney .	The air discharge chimney shall be at "on" position.
Air inlet of the appliance is inadequate.	Inspect the carbon filter.	The filters of the appliances with carbon filters shall be replaced once in every 3 months under normal conditions.



# Bitte lesen Sie zuerst dieses Benutzerhandbuch!





Sehr geehrter Kunde,

Vielen Dank, dass Sie sich für ein GRUNDIG-Produkt entschieden haben. Wir möchten, dass Sie mit diesem qualitativ hochwertigen Produkt, das nach dem neuesten Stand der Technik hergestellt wurde, die optimale Effizienz erreichen. Bitte stellen Sie sicher, dass Sie diesen Leitfaden und die ergänzende Dokumentation vor der Verwendung vollständig gelesen und verstanden haben, und bewahren Sie ihn als Referenz auf. Legen Sie diesen Leitfaden dem Gerät bei, wenn Sie es an eine andere Person weitergeben. Beachten Sie alle hierin enthaltenen Warnungen und Informationen und befolgen Sie die Anweisungen.

Denken Sie daran, dass dieses Benutzerhandbuch für mehrere Produktmodelle gelten kann. Der Leitfaden zeigt deutlich alle Variationen der verschiedenen Modelle auf.

## Symbole und ihre Bedeutungen

Diese Symbole werden in diesem Leitfaden durchgängig verwendet:

	Wichtige Informationen und Empfehlungen zum Gebrauch des Geräts.
	<b>VORSICHT:</b> Warnhinweise zu Personen- oder Sachschäden.
	Warnung vor Stromschlag,
	Risiko einer Brandwarnung.



Dieses Produkt wurde in modernen Anlagen hergestellt, die die Umwelt respektieren, ohne die Natur zu schädigen.

## Allgemeine Sicherheit

Wichtige Sicherheitshinweise Sorgfältig lesen und zum späteren Nachschlagen aufbewahren. Dieser Abschnitt enthält Sicherheitshinweise, die zum Schutz vor Brandgefahr, Stromschlag, Exposition gegenüber austretender Mikrowellenenergie, Personen- oder Sachschäden beitragen. Die Nichtbeachtung dieser Sicherheitsvorschriften hat den Verlust der Garantie zur Folge.

- Grundig-Produkte entsprechen den geltenden Sicherheitsnormen; daher sollte im Falle einer Beschädigung des Gerätes oder des Netzkabels dieses vom Händler, Servicezentrum oder einem Fachmann und autorisierten Service gleichermaßen repariert oder ersetzt werden, um jede Gefahr zu vermeiden. Fehlerhafte oder unqualifizierte Reparaturarbeiten können gefährlich sein und ein Risiko für den Benutzer darstellen.
- Dieses Gerät ist ausschließlich zur Verwendung in einem Haushalt und vergleichbaren Einrichtungen gedacht, darunter:
  - in Personalküchen in Geschäften, Büroräumen und anderen Arbeitsumgebungen;
  - in landwirtschaftlichen Betrieben
  - für Gäste in Hotels, und vergleichbaren Unterkünften;
  - kleineren Pensionen oder vergleichbaren Einrichtungen.
- Betreiben Sie das Gerät nur für den vorgesehenen Zweck, wie in diesem Handbuch beschrieben.
- Der Hersteller kann nicht für Schäden verantwortlich gemacht werden, die durch unsachgemäße Installation oder Bedienung des Geräts entstehen.
- Dieses Gerät kann von Kindern ab 8 Jahren und Personen mit eingeschränkten körperlichen, sensorischen oder geistigen Fähigkeiten oder fehlender Erfahrung und Kenntnissen benutzt werden, wenn sie in sicherer Weise beaufsichtigt oder unterwiesen wurden und die damit verbundenen Gefahren verstehen.
- Kinder dürfen nicht mit dem Gerät spielen. Reinigung und Benutzerwartung darf nicht von Kindern gemacht werden ohne Aufsicht.
- Der Mindestabstand zwischen der Auflagefläche für die Kochgefäße auf dem Kochfeld und dem untersten Teil Ihres Produkts muss mindestens 65 cm betragen.
- Wenn in den Installationsanweisungen für das Gaskochfeld ein größerer Abstand angegeben ist, muss dies berücksichtigt werden.
- Stellen Sie sicher, dass Ihre Netzspannung mit den Angaben auf dem Typenschild des Geräts übereinstimmt.
- Verwenden Sie das Gerät nicht, wenn das Netzkabel oder das Gerät beschädigt ist.
- Verhindern Sie Schäden an der Stromversorgung Kabel durch nicht quetschen,

## WICHTIGE SICHERHEITS UND UMWELTHINWEISE

---

biegen, oder an scharfen Kanten reiben. Halten Sie das Netzkabel von erhitzten Oberflächen und offenen Flammen fern.

- Verwenden Sie das Gerät nur mit einer geerdeten Steckdose.

**WARNUNG:** Schließen Sie das Gerät nicht an das Stromnetz an, bevor die Installation vollständig abgeschlossen ist.

- Das Gerät muss derart aufgestellt werden, dass der Stecker zugänglich ist..
- Berühren Sie die Gerätelampen nicht, wenn diese bereits für längere Zeit in Betrieb gewesen sind. Lampen können zu Verbrennungen an Ihren Händen führen, da diese heiß sind.
- Befolgen Sie die von den zuständigen Behörden festgelegten Vorschriften zur Ableitung der Abluft (dieser Warnhinweis gilt nicht für die Verwendung ohne Schornstein).
- Bedienen Sie Ihr Gerät, nachdem Sie einen Topf, eine Pfanne usw. auf das Kochfeld gestellt haben. Andernfalls können hohe Temperaturen Deformationen an manchen Teilen Ihres Gerätes verursachen.
- Schalten Sie das Kochfeld aus, bevor Sie den Topf, die Pfanne usw. aus dem Kochfeld nehmen.
- Lassen Sie kein heißes Öl auf dem Kochfeld. Pfannen mit heißem Öl können sich selbst entzünden und einen Brand verursachen.

- Achten Sie auf Ihre Vorhänge und Abdeckungen, da Öl beim Kochen von Lebensmitteln wie Pommes Frites Feuer fangen kann.
- Der Fettfilter muss mindestens monatlich gewechselt werden. Der Kohlefilter muss mindestens alle 3 Monate gewechselt werden.
- Das Produkt ist entsprechend dem Benutzerhandbuch zu reinigen. Wenn die Reinigung nicht in Übereinstimmung mit dem Benutzerhandbuch durchgeführt wurde, kann Brandgefahr bestehen.
- Verwenden Sie niemals nicht-feuerfeste Materialien anstelle der vorgesehenen Filter.
- Verwenden Sie nur Originalteile oder Teile empfohlen von der Hersteller.
- Betreiben Sie das Gerät niemals ohne Filter, und nehmen Sie diesen niemals heraus, wenn das Gerät eingeschaltet ist.
- Sollte eine Flamme entzündet werden, schalten Sie Ihr Produkt und Ihre Kochgeräte ab.
- Falls eine Flamme entzündet wird, decken Sie die Flamme ab und verwenden Sie niemals Wasser zum Löschen.
- Ziehen Sie den Netzstecker vor jeder Reinigung und wenn das Gerät nicht in Gebrauch ist.
- Der Unterdruck in der Umgebung sollte 4 Pa (4 x 10 bar) nicht überschreiten, wäh-

# WICHTIGE SICHERHEITS UND UMWELTHINWEISE

---

rend die Abzugshaube für Elektroherd und Geräte, die mit einer anderen Energieart, aber mit Strom betrieben werden, gleichzeitig in Betrieb sind.

- In der Umgebung, in der das Gerät benutzt wird, muss der Auspuff von Geräten, die mit Heizöl oder Gas betrieben werden, wie z.B. Raumheizgeräte, absolut isoliert sein oder das Gerät muss hermetisch dicht sein.
- Beim Anschluss des Schornsteins sind Rohre mit einem Durchmesser von 120 oder 150 mm zu verwenden. Die Rohrverbindung muss so kurz wie möglich sein und möglichst wenige Bögen haben.

**Die Gefahr des Erstickens!** Halten Sie das Verpackungsmaterial von Kindern fern!

**VORSICHT:** Zugängliche Teile können bei der Verwendung mit Kochgeräten heiß werden.

- Der Ausgang der Haube darf nicht an Luftkanäle angeschlossen werden, die anderen Rauch enthalten.
- Die Belüftung des Raumes kann unzureichend sein, wenn die Abzugshaube des Elektrokochfeldes gleichzeitig mit den mit Gas oder anderen Brennstoffen betriebenen Geräten verwendet wird (dies gilt möglicherweise nicht für Geräte, die die Luft nur in den Raum zurückführen).
- Objekte platziert auf dem Gerät, können eventuell herunterfallen. Legen Sie keine Gegenstände auf das Gerät.
- Flammen Sie nicht unter Ihrem Produkt.

**WARNUNG:** Entfernen Sie vor der Installation der Abzugshaube die Schutzfolien.

- Lassen Sie niemals hohe offene Flammen unter der Abzugshaube, wenn sie in Betrieb ist.
- Fritteusen müssen während des Betriebs ständig überwacht werden: überhitztes Öl kann in Flammen aufgehen.

## Einhaltung der WEEE-Richtlinie und Entsorgung des Abfallproduktes:

Dieses Produkt entspricht der WEEE Richtlinie der EU (2012/19/EU). Dieses Produkt trägt eine Klassifikation

Dieses Produkt trägt ein Klassifikationssymbol für elektrische und elektronische Altgeräte (WEEE).



Dieses Symbol zeigt an, dass dieses Produkt am Ende seiner Lebensdauer nicht zusammen mit anderen Haushaltsabfällen entsorgt werden darf. Gebrauchte Geräte müssen zum Recycling von elektrischen und elektronischen Geräten an einer offiziellen Sammelstelle abgegeben werden. Um diese Sammelsysteme zu finden, wenden Sie sich bitte an Ihre örtlichen Behörden oder den Händler, bei dem das Produkt gekauft wurde. Jeder Haushalt spielt eine wichtige Rolle bei der Rückgewinnung und dem Recycling von Altgeräten. Die richtige Entsorgung Ihrer Altgeräte hilft, potenziell schädliche Umweltauswirkungen und mögliche

## WICHTIGE SICHERHEITS UND UMWELTHINWEISE

---

Gesundheitsgefahren zu verhindern.

### Einhaltung der RoHS Richtlinie

Das von Ihnen gekaufte Produkt entspricht der EU RoHS Richtlinie (2011/65/EU). Es enthält kein

Sie enthält keine schädlichen und verbotenen Materialien, die in der Richtlinie aufgeführt sind.

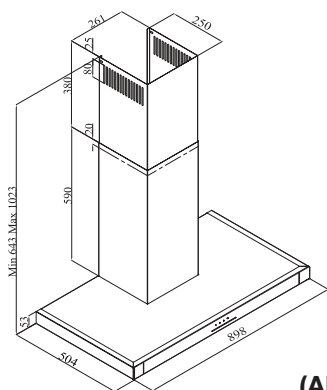
### Verpackungsinformationen



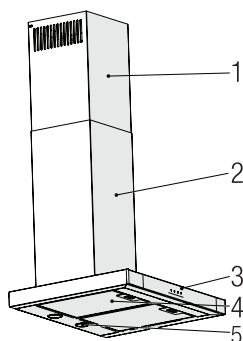
Die Verpackungsmaterialien des Produkts werden in Übereinstimmung mit unseren nationalen Umweltvorschriften aus wiederverwertbaren Materialien hergestellt. Entsorgen Sie das Verpackungsmaterial nicht zusammen mit dem Hausmüll oder anderen Abfällen. Bringen Sie sie zu den von den örtlichen Behörden benannten Sammelstellen für Verpackungsmaterial.

# ALLGEMEINES ERSCHEINUNGSBILD

## Übersicht



(Abbildung 1).



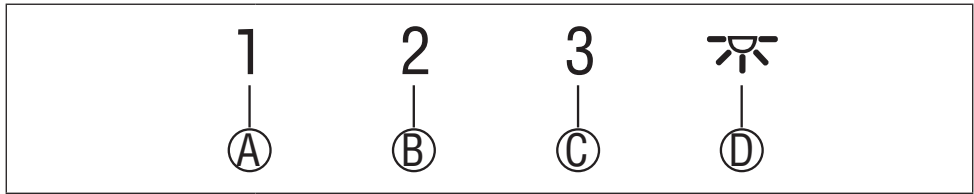
(Abbildung 2)

## Technische Daten

Modell	GDKP5460BC
Versorgungsspannung:	220-240V ~ 50 Hz
Lampenleistung	2 x 3 W
Motorleistung	210 W
Fließrate (m <sup>3</sup> /h) – 3. Stufe	645 m <sup>3</sup> /h
Isolationsklasse des Motors	Klasse F
Isolationsklasse	Klasse I

# BEDIENUNG DES GERÄTES

## Steuerung des Geräts



SCHLÜSSEL	FUNKTION
(A) : 1. Bühne Taste	Betreibt das Gerät mit der 1. Geschwindigkeit. Wenn Sie diese Taste erneut drücken, um das Gerät auszuschalten, wird die Bildschirm-Geschwindigkeitsstufe ausgeschaltet.
(B) : 2. Bühne Taste	Betreibt das Gerät mit 2. Geschwindigkeit. Wenn Sie diese Taste erneut drücken, um das Gerät auszuschalten, wird die Bildschirm-Geschwindigkeitsstufe ausgeschaltet.
(C) : Bühne 3. Taste	Betreibt das Gerät mit der 3. Geschwindigkeit. Wenn Sie diese Taste erneut drücken, um das Gerät auszuschalten, wird die Bildschirm-Geschwindigkeitsstufe ausgeschaltet.
(D) : Ein-/Aus des Lichts	Durch Drücken dieser Taste können Sie die Kochstelle beleuchten. Drücken Sie die Ein-/Aus-Taste erneut, um die Lampe auszuschalten.

### Energieeffiziente Nutzung

- Wenn Sie Ihr Gerät benutzen, passen Sie die Geschwindigkeitseinstellungen je nach Dampf- und Geruchsintensität an, um Energie zu sparen.
- Verwenden Sie niedrige Geschwindigkeiten (1-2) unter normalen Bedingungen und hohe Geschwindigkeiten (3) für intensive Gerüche und Dämpfe.
- Die Lampen der Abzugshaube sind so angebracht, dass sie den Herdbereich beleuchten.

Ihr Nutzung für die Beleuchtung der Küche kann zu unnötigen zusätzlichen Stromkosten führen, ohne dass die Raumbelichtung ausreichend wäre.

### Bedienung der Abzugshaube

- Ihr Gerät enthält einen Motor, der verschiedene Geschwindigkeiten hat.
- Für eine bessere Leistung empfehlen wir niedrige Geschwindigkeiten unter normalen Bedingungen und hohe Geschwindigkeiten bei starken Gerüchen und intensiven Dämpfen.
- Sie können Ihr Gerät starten, indem Sie auf die Taste für die gewünschte Geschwindigkeitseinstellung drücken. (A, B, C)

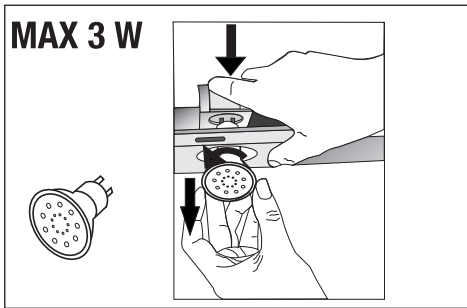
- Sie können die Kochstelle beleuchten, indem Sie die Lampe (D) drücken.

### Automatisches Anhalten

Ihr Gerät verfügt über eine automatische Abschaltfunktion, die es ihm ermöglicht, etwas mehr zu lüften und die unerwünschten Gerüche und Dämpfe aus der Umgebung zu entfernen und sich nach Beendigung des Garvorgangs automatisch auszuschalten. Um die automatische Abschaltfunktion zu aktivieren, drücken Sie eine beliebige Geschwindigkeitsstufentaste (A, B, C) auf dem Bedienfeld länger als 2 Sekunden; die 15-Minuten-Timerfunktion muss aktiviert werden. Wenn die automatische Abschaltfunktion aktiv ist, wird durch Drücken der gleichen Geschwindigkeitstaste die automatische Abschaltfunktion deaktiviert und der Motor des Geräts angehalten. Diese Funktion ist deaktiviert, wenn Sie zwischen verschiedenen Geschwindigkeitsstufen wechseln. Wenn Sie möchten, dass das Gerät automatisch stoppt, müssen Sie die automatische Abschaltfunktion wieder aktivieren.

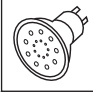
# BEDIENUNG DES GERÄTES

## Auswechseln der Lampe

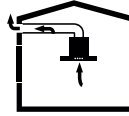


(Abbildung 3)

Stellen Sie die elektrischen Anschlüsse des Geräts her. Ihr Gerät verwendet eine 3W LED-Punktleuchte. Zum Auswechseln der Lampen drücken Sie die Fassung von hinten nach unten, drehen Sie sie gegen den Uhrzeigersinn und nehmen Sie sie nach unten heraus. Wenden Sie den obigen Vorgang in umgekehrter Reihenfolge an, um neue Lampen einzubauen (Abbildung 3).

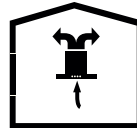
Glühbirne	
Leistung der Lampe (W)	3
Halter / Sockel	GZ 10
Die Spannung der Glühbirne (V)	220 - 240
Größe : (mm)	53 x 50
PIN-Code	DR/F3-220-240-GZ10-50-53

## Betrieb mit Schornstein Anschluss



- Der Dampf wird durch den Abluftkanal, der am Anschlusskopf der Abzugshaube befestigt ist, abgesaugt.
- Der Durchmesser des Abluftkanals muss dem Durchmesser des Anschlussrings entsprechen. Bei horizontaler Anordnung muss das Rohr ein leichtes Gefälle (ca. 10°) nach oben haben, damit die Luft leicht aus dem Raum austreten kann.

## Betrieb ohne Schornstein-Anschluss



- Die Luft wird durch den Kohlefilter gefiltert und im Raum rezirkuliert. Der Kohlefilter wird verwendet, wenn es unmöglich ist, einen Rauchabzug im Haus zu benutzen.
- Im rauchgaslosen Betrieb sind die Klappen im Inneren des Rauchgasadapters zu entfernen.
- Entfernen Sie den Aluminium-Fettfilter. Zum Einbau des Kohlefilters den Filter auf die Laschen aufsetzen, indem Sie ihn auf dem Kunststoffteil auf beiden Seiten des Gebläsegehäuses zentrieren. durch Rechts- oder Linksdrehung festziehen.
- Aluminium-Fettfilter ersetzen.

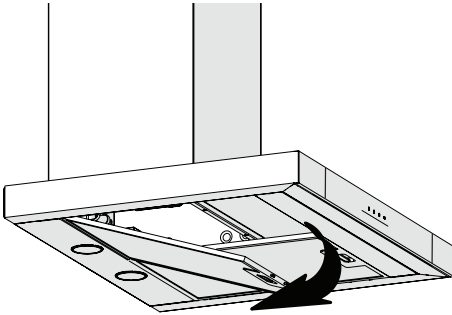




Ziehen Sie vor der Reinigung und Wartung den Netzstecker oder schalten Sie den Schalter aus.

## Reinigung von Aluminium-Fettfilter

Der Aluminium-Fettfilter dient dazu, die Ölpartikel in der Luft zurückzuhalten. Aluminium-Fettfilter können nach wiederholter Reinigung ihre Farbe ändern. Dies ist normal, und Sie müssen Ihre Filter nicht austauschen.



(Abbildung 4)

- Drücken Sie den Aluminium-Fettfilterverschluss nach vorne.
- Ziehen Sie ihn dann leicht nach unten und ziehen Sie ihn heraus (Abbildung 4). Andernfalls können Sie den Filter verbiegen. Waschen und spülen Sie Aluminium-Fettfilter mit flüssigem Reinigungsmittel und ersetzen Sie Aluminium-Fettfilter bis zu ihren Sitzen, indem Sie die oben angegebenen Schritte in umgekehrter Reihenfolge durchführen. Diese Aluminium-Fettfilter dienen dazu, die Ölpartikel in der Luft zurückzuhalten.



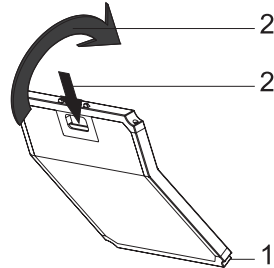
Sie können die Aluminium-Fettfilter auch in der Waschmaschine waschen.



### VORSICHT

Reinigen Sie Ihren Aluminium-Fettfilter bei normalem Gebrauch einmal im Monat.

## Austausch des Kohlefilters



(Abb. 5)

Das von Ihnen gekaufte Gerät eignet sich für die Verwendung zusammen mit Aktivkohlefiltern.

- Entfernen Sie den Aluminium-Fettfilter (Abbildung 4).
- Legen Sie den unteren Teil des Kohlefilters in den Motorschrank (Abbildung 5).
- Drücken Sie auf die Riegel des Kohlefilters und drücken Sie sie nach vorne, und stellen Sie sicher, dass die Riegel des Kohlefilters eingerastet und verriegelt sind. (Abbildung 5).
- Bringen Sie den Aluminium-Fettfilter an.



### VORSICHT

Kohlefilter dürfen niemals gewaschen werden.



### VORSICHT

Ersetzen Sie die Kohlefilter einmal alle 3 Monate.



### VORSICHT

Sie können den Kohlefilter bei den autorisierten Diensten beziehen.

# INSTALLATION DES GERÄTS

## WARNUNG!



Lesen Sie vor Beginn der Installation die Sicherheitshinweise im Benutzerhandbuch.

## WARNUNG!

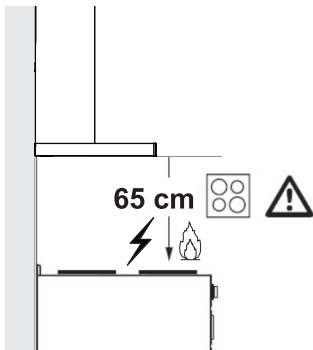


Wird die Installation mit Schrauben und Stabilisatoren nicht in Übereinstimmung mit diesen Anweisungen durchgeführt, kann dies zu einem elektrischen Schlag führen.

Für die Installation der Abzugshaube wenden Sie sich bitte an den nächstgelegenen autorisierten Service.

Es liegt in der Verantwortung des Kunden, den Standort und die elektrische Installation der Abzugshaube vorzubereiten.

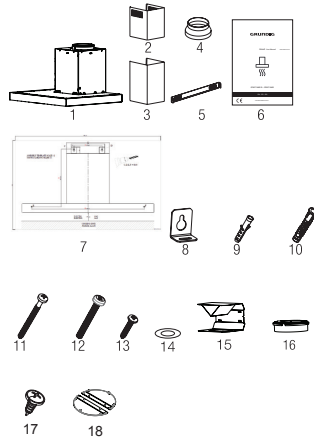
## Positionierung des Geräts



(Abbildung 6)

- Der Abstand zwischen dem Herd und der Abzugshaube muss vor der Montage berücksichtigt werden. Dieser Abstand sollte 65 cm betragen (Abbildung 6).
- Der Abstand muss bei Gasherden von der Oberfläche des Rostes,
- bei Elektroherden von der Oberfläche des Glases gemessen werden.

## Installationszubehör



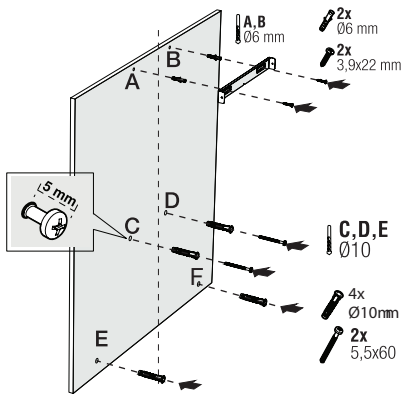
1. Produkt
2. Innerer Schornstein
3. Äußerer Schornstein
4. Ø150/120 mm Kunststoffabluftkanaladapter
5. Schornstein-Anschlussplatte
6. Benutzer-Handbuch
7. Montageschema
8. 2 x Hängende Platten
9. 6 x Ø6 mm Kunststoffdübel
10. 4 x Ø10 mm Kunststoffdübel
11. 4 x 5,5 x 60 Schraube für die Wandmontage
12. 2 x M5 x 35 Hängeplatten-Verbindungsschraube
13. 6 x 3,9 x 22 Schraube für Verbindungsplatte des Rauchabzugs
14. 2 x M4 Unterlegscheiben
15. Luftleitblech
16. Kunststoff-Adapter (Luft-Umsteller)
17. 2 x 3,5 x 9,5 Schraube für Verbindungsplatte des Rauchabzugs
18. Schornsteinschelle aus Metall

Die Informationen, die erforderlich sind, um den Standort für die Installation der Abzugshaube geeignet zu machen, sind nachstehend aufgeführt.

# INSTALLATION DES GERÄTS

## Wandmontage

- Die Wand muss eben und gerade sein sowie über ausreichende Tragkraft verfügen.
- Die Tiefe der Bohrung muss der Schraubenlänge entsprechen.
- Die mitgelieferten Bolzen und Dübel sind für Ziegelwände geeignet. Für andere Baustoffe (z.B. Trockenbauwände, Platten, Porenbeton) sind geeignete Befestigungsdübel und Muttern zu verwenden.



(Abbildung 7)

### VORSICHT

Stellen Sie vor dem Bohren sicher, dass sich keine Strom-, Gas- oder Wasserleitungen in der Nähe der Bohrstellen befinden.



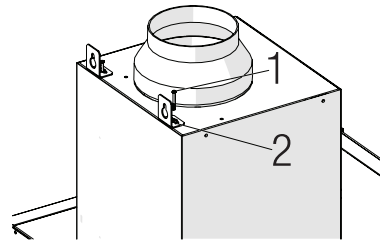
Zeichnen Sie eine mittlere Positionslinie von der Decke senkrecht zur Unterkante der Abzugshaube ().

Befestigen Sie das Montageschema an der Wand. Nehmen Sie für die Punkte A und B die maximalen Abmessungen der Abzugshaube als Referenz und bohren Sie die Punkte A und

B, die Sie markiert haben, mit einem Ø6 mm Bohrer und Gewindebohrern Ø6 mm Kunststoffdübeln. Befestigen Sie die Abluftkanalplatte mit 2 Stück Schrauben 3,9x22 an der Wand (Abbildung 8).

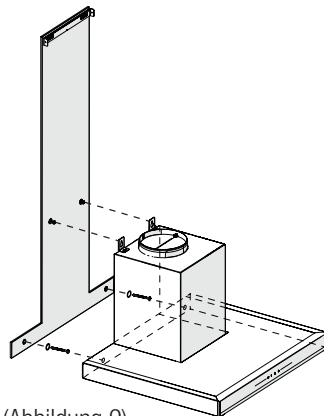
Zur Installation der Abzugshaube bohren Sie die in der Installationsschablone angegebenen Punkte C,D,E mit einem Ø10 mm Bohrer und schneiden Sie Ø10 mm Kunststoffdübel auf diese Punkte (Abbildung 8).

Installieren Sie 2 Stück Befestigungsschrauben 5,5x60 an den Punkten C und D mit einem Abstand von 5 mm zwischen Schraubenkopf und Wand (Abbildung 8).



(Abbildung 8)

Befestigen Sie zwei Stück Aufhängeplatten mit M5x35 Befestigungsschrauben am Körper der Abzugshaube (Abbildung 8).



(Abbildung 9)

# INSTALLATION DES GERÄTS

Halten Sie die Abzugshaube an ihrem Körper fest, setzen Sie sie auf die Befestigungsschrauben an der Wand und ziehen Sie die Schrauben fest (Abbildung 9).

M4-Unterlegscheiben an den 5,5x60-Aufhängeschrauben anbringen. Befestigen Sie die Abzugshaube mit einer Schraube 5,5x60 an der Wand durch das Montageloch auf der Innenseite des Geräts (Abbildung 9).

## Anschließen des Schornsteins

Wenn Sie den Ø 120/150 mm Kunststoff-Schornsteinadapter verwenden wollen, schließen Sie ein Ende des Rohrs an diesen Adapter an, wenn Sie ihn nicht verwenden wollen, an den direkten Ausgang am Produkt. Schließen Sie das andere Ende des Rohrs an Ihren Schornstein an. Prüfen Sie, ob diese beiden Anschlüsse fest genug sind, damit sie sich nicht lösen, wenn das Gerät mit voller Leistung läuft. Prüfen Sie, ob die Klappen im Inneren des Schornsteins funktionieren, wenn sie angezogen sind

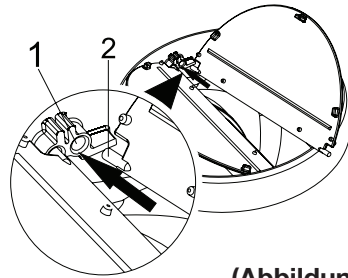
mit Klemmen festgezogen werden. Schließen Sie den Schornstein-Anschlusskanal außerhalb des Adapters an (Abbildung 11/a). Wenn der Abluftkanal im Innern des Adapters angebracht ist, darf keine Luft angesaugt werden, da die Schornstein-Klappe, die die Rückführung der Luft verhindert, geschlossen bleibt (Abbildung 11 / b). Die Länge der Rohrleitung und Zahl der Bogenstücke sollten dabei so gering wie möglich sein.

A : Schornstein-Ausgangsrohr

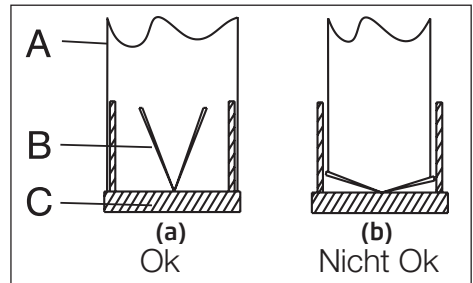
B : Klappen ohne Rücklauf

C: Kunststoffschornstein

Die Ventile sind dann geschlossen, wenn das Gerät nicht in Betrieb ist, und verhindern, dass möglicher Außengeruch und Staub ins Innere gelangen.



(Abbildung 10)



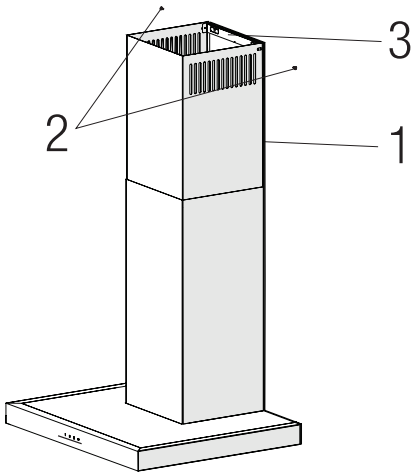
(Abbildung 11)

## Einbau der Abzugshaube in den Schornstein

Nehmen Sie den elektrischen Anschluss Ihrer Abzugshaube vor Beginn der Installation des Schornsteins vor. Schieben Sie die Schornsteinplatten um den Körper.

Bringen Sie die Schornsteinplatte an der Schornsteinbefestigungsplatte an, die von den oberen Außenkanten her an der Wand befestigt ist (Abbildung 12).

# INSTALLATION DES GERÄTS

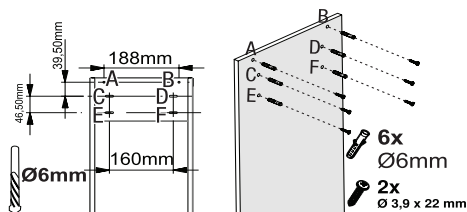


**(Abbildung 12)**

1. Innerer Schornstein
2. 3,5x9,5 Schraube
3. Schornstein-Anschlussplatte

## Einbau eines Luftleitblechs

Bei der Verwendung mit dem Kohlefilter wird ein Luftleitblech mit Ihrem Gerät mitgeliefert, um die mit dem Kohlefilter gereinigte Luft wieder aus der am Abluftkanal befindlichen Perforation freizusetzen. Montieren Sie das Luftleitblech wie unten beschrieben.



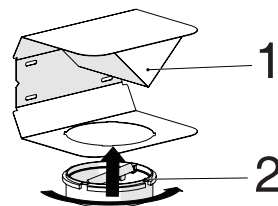
**(Abb. 13)**

In der Mitte der Abluftkanal platte befindet sich eine Lasche. Platzieren Sie den Mittelpunkt dieser Registerkarte auf der Linie, die senkrecht zur Wand gezeichnet wird. Richten Sie sie horizontal aus und markieren Sie mit einem Stift die Löcher, an denen die Anschlussplatte montiert werden soll (Abbildung 13 / A, B).

Bohren Sie die markierten Punkte mit einem Ø6mm-Bohrer und setzen Sie zwei Ø6mm-Kunststoffdübel in die gebohrten Löcher ein (Abbildung 13 / A, B).

Befestigen Sie die Abluftkanal platte mit Stück Schrauben 3,9x22 an der Wand (Abbildung 13/ A, B).

Für die Montage des Luftleitblechs installieren Sie die Punkte C, D, E, F mit einem Ø6mm-Bohrer und Ø6mm-Kunststoffdübeln (Abbildung 13).

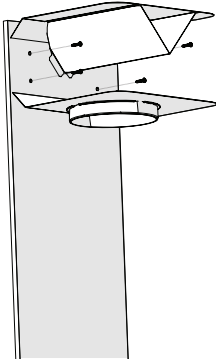


**(Abb. 14)**

- 1- Luftleitblech
- 2 Kunststoff-Abluftkanal

# INSTALLATION DES GERÄTS

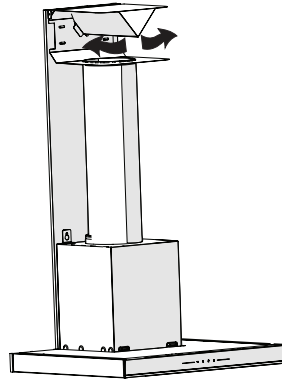
Befestigen Sie den im Paket enthaltenen Kunststoff Abluftkanaladapter in Richtung des Luftleitblechs. Verriegeln Sie den Abluftkanaladapter, indem Sie ihn in Pfeilrichtung drehen (Abbildung 14).



**(Abbildung 15)**

Montieren Sie die Luftleitblechgruppe mit 3,9 x 22 Schrauben von Punkt C, D, E, F aus, die Sie bereits vorbereitet haben (Abbildung 13).

Montieren Sie die Abzugshaube (Seite 12 / Abbildung 7).



**(Abb. 16)**

1- Aluminium-Luftaustrittsrohr  
Stellen Sie die Luftauslassrohrbaugruppe her (Abbildung 16).



Da Verdrehungen und Biegung im Aluminiumrohr zur Verminderung der Ansaugleistung führen, sind diese soweit wie möglich zu vermeiden.

Installieren Sie die Abluftkanalplatten der Abzugshaube (Seite 13 / Abbildung 12)

## FEHLERBEHEBUNG

---

<b>Fehlerbehebung</b>	<b>Ursache</b>	<b>Hilfe</b>
Das Gerät funktioniert nicht.	Überprüfen Sie Ihre Sicherungen.	Die Sicherung kann durchbrennen, inspiziert und wiederhergestellt werden.
Das Gerät funktioniert nicht.	Überprüfen Sie die elektrische Verbindung.	Die Netzspannung muss zwischen 220 und 240 V liegen.
Das Gerät funktioniert nicht.	Überprüfen Sie die elektrische Verbindung.	Überprüfen Sie, ob andere Geräte in Ihrer Küche funktionieren.
Das Beleuchtungslight funktioniert nicht.	Überprüfen Sie die elektrische Verbindung.	Die Netzspannung muss zwischen 220 und 240 V liegen.
Das Beleuchtungslight funktioniert nicht.	Prüfen Sie den Lampenschalter.	Der Lampenschalter muss sich in der Stellung "Ein" befinden.
Das Beleuchtungslight funktioniert nicht.	Inspizieren Sie die Lampen.	Die Lampen des Geräts müssen aufleuchten.
Der Lufteinlass des Geräts ist unzureichend.	Prüfen Sie den Aluminiumfilter.	Unter normalen Betriebsbedingungen ist der Aluminium-Ölfilter mindestens einmal im Monat zu reinigen.
Der Lufteinlass des Geräts ist unzureichend.	Prüfen Sie den Abluftkanal	Der Abluftkanal muss sich in der Stellung "Ein" befinden.
Der Lufteinlass des Geräts ist unzureichend.	Überprüfen Sie den Kohlefilter.	Die Filter der Geräte mit Kohlefiltern sind unter normalen Bedingungen einmal alle 3 Monate zu ersetzen.

## Garantiebedingungen

### Anschrift:

Grundig Weiße Ware Kundendienst  
Beko Deutschland GmbH  
Thomas-Edison-Platz 3  
D-63263 Neu-Isenburg

Kundendienst-Tel.: 06102-86 86 893  
Fax: 01805-414 400  
E-Mail: kundendienst.hausgeraete@grundig.com  
Ersatzteile-Tel.: 01805-242 515 \*  
Fax: 01805-345 001 \*  
E-Mail: ersatzteile.hausgeraete@grundig.com

Sehr geehrte Kundin, sehr geehrter Kunde,

als Käufer eines Gerätes der Marke Grundig stehen Ihnen die gesetzlichen Gewährleistungsrechte (Nachbesserung und Nacherfüllung) aus dem Kaufvertrag zu. Die Gewährleistung erfolgt für die Fehlerfreiheit bei Geräteübergabe entsprechend dem jeweiligen Stand der Technik. Änderungen in der Konstruktion oder der Ausführung, die weder die Funktionstüchtigkeit noch den Wert der Ware beeinträchtigen, stellen keinen Fehler dar. Ist das Gerät mangelhaft, so wird der Mangel durch den Werkskundendienst kostenlos beseitigt. Der Hersteller wählt die jeweils angemessene Art der Nacherfüllung unter Berücksichtigung der Zumutbarkeit für den Käufer. Über die Gewährleistung hinaus räumt Ihnen der Hersteller eine Garantie ein, diese schränkt die gesetzliche Gewährleistung nicht ein.

### Die Garantiezeit beträgt 36 Monate ab Kaufdatum.

#### Bedingungen:

1. Ein maschinell erstellter Original-Kaufbeleg liegt vor.
2. Das Gerät ist nur mit Original-Zubehör und Original-Ersatzteilen betrieben worden.
3. Die in der Gebrauchsanweisung erwähnten Wartungs- und Reinigungsarbeiten sind entsprechend ausgeführt worden.
4. Das Gerät wurde nicht geöffnet/zerlegt.
5. Bauteile, die einem gebrauchsbedingtem Verschleiß unterliegen fallen nicht unter die Garantie
6. Während der Garantiezeit beseitigt der Hersteller die durch Material- oder Fertigungsfehler auftretenden Schäden oder Mängel am Gerät.
7. Ausgewechselte Teile werden Eigentum des Herstellers.
8. Ausgeschlossen von der Garantie sind die Schäden oder Mängel, die aus folgenden Ursachen entstehen:
  - a. unsachgemäße Installation, z.B. Nichtbeachtung der VDE-Vorschriften; unsachgemäße Aufstellung, z.B. Nichtbeachtung der Einbau- oder Installationsvorschriften; äußere Einwirkung, z.B. Transportschäden, Beschädigung durch Stoß oder Schlag, Schäden durch Witterungseinflüsse.
  - b. unsachgemäße Bedienung oder Beanspruchung, z.B. Nichtbeachtung der Gebrauchsanweisungen. Bei einer gewerblichen oder gleichzustellenden Nutzung z.B. in Hotels, Pensionen oder Gemeinschaftsanlagen, als eine nicht bestimmungsgemäße Benutzung, mit Gewährleistungsausschluss, gewährt der Hersteller eine Garantie von 6 Monaten.
9. Die Behebung der garantiepflichtigen Mängel erfolgt ohne jede Berechnung.
10. Die Mängelbeseitigung in der Garantie z.B. durch eine Reparatur oder eine Ersatzlieferung verlängert die ursprüngliche Garantiezeit nicht.
11. Über die Mängelbeseitigung hinausgehende Ansprüche - soweit keine gesetzliche Haftung vorgesehen ist - sind ausgeschlossen.

#### Abhilfemöglichkeiten:

1. Der Hersteller behält sich das gesetzlich vorgesehene Recht zur Nachbesserung vor.
2. Reparaturen oder Abänderungen während der Garantiezeit dürfen nur durch den autorisierten Kundendienst vorgenommen werden.
3. Als eine Nachbesserung wird der Versuch der Schadensbehebung verstanden. Erst wenn die Schadensbehebung fehlschlägt oder ein anderer Mangel auftritt, beginnt ein neuer Nachbesserungsversuch.
4. Bevor andere Abhilfemaßnahmen möglich sind, sind 3 Nachbesserungsversuche zulässig. Schlägt die Mängelbeseitigung fehl oder ist sie unmöglich, berechtigt dies den Käufer zur Rückgängigmachung des Kaufvertrags oder zur Herabsetzung des Kaufpreises.

#### Umtausch:

Erfolgt auf Wunsch des Kunden ein Austausch, wird die bisherige Nutzung des Gerätes in Rechnung gestellt.

**Diese Garantiezusage ist gültig innerhalb der Bundesrepublik Deutschland**

**\*) 0,14 EUR/Min. aus dem Festnetz der T-Com; Mobilfunk max. 0,42 EUR/Min. (nur für Deutschland)**

---



¡Por favor, lea esta guía primero!

Estimado cliente,

Gracias por elegir un producto GRUNDIG. Nos gustaría que sacara el máximo provecho de este producto de alta calidad que ha sido fabricado con tecnología punta. Por favor, asegúrese de leer y entender completamente esta guía y la documentación complementaria antes de usarla y guárdela como referencia. Entregue esta guía junto al aparato si se entrega o vende a otra persona. Observe todas las advertencias e información aquí contenidas y siga las instrucciones.

Tenga en cuenta que esta guía del usuario se puede aplicar a varios modelos de aparato. La guía indica claramente las posibles variaciones de los diferentes modelos.

## Símbolos y sus significados

Estos símbolos se utilizan a lo largo de esta guía:



Información importante y recomendaciones sobre el uso del aparato.



**PRECAUCIÓN:** Advertencias sobre lesiones personales o daños a la propiedad.



Advertencia de descarga eléctrica,



Riesgo de fuego.



Este producto fue fabricado sin dañar la naturaleza en instalaciones modernas respetuosas con el medio ambiente.

Cumple con la Directiva WEEE.



No incluye PCB.

## Seguridad general

Lea las instrucciones importantes de seguridad y guárdelas para su futura consulta

Esta sección contiene instrucciones de seguridad que ayudarán a la protección contra los riesgos de incendio, descargas eléctricas, exposición a la energía de microondas, lesiones personales o daño a la propiedad. El incumplimiento de estas instrucciones anulará cualquier tipo de garantía.

- Los productos Grundig cumplen con todas las normas de seguridad aplicables; por ello, si el cable o el aparato presentan daños, deberán ser reparados o sustituidos por el distribuidor, un servicio técnico o una persona cualificada y autorizada para evitar cualquier peligro. Los trabajos de reparación deficientes o realizados por personal no cualificado puede ser peligrosos y entrañar riesgos para el usuario.
- Este aparato está destinado al uso doméstico y aplicaciones parecidas, como por ejemplo:
  - Cocinas para uso del personal de tiendas, oficinas y otros entornos laborales;
  - Casa rurales;
  - Por clientes en hoteles o cualquier otro tipo de entorno residencial;
  - Entornos de tipo «Habitación y desayuno» (Bed and Breakfast).
- Utilice este aparato únicamente para su uso previsto, tal como se describe en este

manual.

- El fabricante no se hace responsable de los daños provocados por una instalación incorrecta o un uso inapropiado del producto.
- Este aparato puede ser utilizado por niños mayores de 8 años y por personas con capacidades físicas, sensoriales o mentales reducidas o con falta de experiencia y conocimientos, siempre que estén bajo supervisión o hayan recibido instrucciones pertinentes sobre el uso del aparato de manera segura y comprendan los peligros que conlleva.
- No deje que los niños jueguen con el aparato. La limpieza y mantenimiento del usuario no deben ser realizados por niños sin supervisión.
- La distancia mínima entre la superficie de soporte de los recipientes para cocinar en los fogones y la parte más baja de su aparato debe ser de al menos 65 cm.
- Si en las instrucciones de instalación de la placa de gas se indica una distancia superior, deberá tenerse en cuenta este hecho.
- Asegúrese de que la fuente de alimentación cumpla con la información que se indica en la placa de datos del aparato.
- Nunca utilice el aparato si está dañado el cable de alimentación o el mismo aparato.
- Evite daños al cable procurando que no sufra tirones, no se doble y no roce con

## INSTRUCCIONES IMPORTANTES SOBRE SEGURIDAD Y MEDIO AMBIENTE

bordes afilados para evitar dañarlo. Mantenga el cable de corriente alejado de superficies calientes y llamas descubiertas.

- Use el aparato únicamente con un enchufe con toma a tierra.

**ADVERTENCIA:** No conecte el aparato a la red eléctrica antes de que la instalación se haya realizado por completo.

- Coloque siempre el aparato de forma que el enchufe quede a mano.
- No toque las lámparas si han estado en funcionamiento durante mucho tiempo. Pueden ocasionar quemaduras en las manos ya que estarán calientes.
- Siga las normas establecidas por las autoridades competentes para la descarga del aire de salida (esta advertencia no es aplicable sin la conexión de la chimenea).
- Encienda el aparato después de colocar una olla, una sartén, etc, en los fogones. De lo contrario, las altas temperaturas pueden provocar deformaciones en algunas partes del aparato.
- Apague los fogones antes de retirar las ollas, los sartenes, etc.
- No deje aceite caliente en los fogones. Las sartenes con aceite caliente pueden ocasionar autocombustión.
- Preste atención a las cortinas y los estores, ya que, al cocinar platos como patatas fritas, el aceite puede originar un incendio.
- El filtro antigrasa se debe reemplazar por lo

menos una vez al mes. El filtro de carbón se debe reemplazar por lo menos cada 3 meses.

- El producto se debe limpiar siguiendo las instrucciones del manual de usuario. Si la limpieza no se ha llevado a cabo siguiendo el manual de usuario, puede haber riesgo de incendio.
- No use materiales filtrantes que no resistan el fuego en vez del filtro actual.
- Utilice únicamente accesorios originales o bien los que recomiende el fabricante.
- No use el aparato sin el filtro y no retire los filtros mientras el aparato esté en funcionamiento.
- En caso de fuego, desactive su producto y los aparatos de cocina.
- En caso de fuego, cubra la llama y nunca utilice agua para apagarlo.
- Desenchufe el aparato antes de cada limpieza y cuando no esté en uso.
- La presión negativa de la estancia no debe superar los 4 Pa (4 x 10 bar) cuando la campana para una placa eléctrica funcione simultáneamente con dispositivos de otro tipo de energía excepto la electricidad.
- En la estancia en donde se encuentra el aparato, el escape de equipos de combustible o gas, como calefactores, deben ser herméticos o estar absolutamente aislados.
- Para la conexión de la chimenea, use tu-

## INSTRUCCIONES IMPORTANTES SOBRE SEGURIDAD Y MEDIO AMBIENTE

berías de 120 o 150 mm de diámetro. La conexión de las tuberías debe ser lo más corta posible y tener la menor cantidad de codos de tubería.

**¡Peligro de descarga eléctrica!** Mantenga todos los materiales de embalaje alejados de los niños.

**PRECAUCIÓN:** Las partes accesibles pueden alcanzar temperaturas elevadas al usarse con cocinas.

- El canal de salida del aparato no debe estar conectado a canales de aire por los que pasan humo.
- La ventilación de la estancia puede ser insuficiente cuando la campana extractora para placas eléctricas se utiliza al mismo tiempo que los aparatos que funcionan con gas u otros combustibles (esto puede no ser aplicable a los aparatos que solamente descargan el aire de nuevo en la estancia).
- Los objetos colocados encima del producto pueden caerse. No coloque ningún objeto encima del aparato.
- No flambear debajo del aparato.

**ADVERTENCIA:** Antes de instalar la campana, retire las películas protectoras.

- No dejar llamas altas descubiertas debajo de la campana extractora cuando está en funcionamiento
- Las freidoras se deberán vigilar continuamente durante su utilización: el aceite sobrecalentado es inflamable.

**De conformidad con la Directiva RAEE y eliminación del producto al final de su vida útil:**

Este producto cumple con la Directiva RAEE de la UE (2012/19/UE). Este producto lleva un símbolo de clasificación de residuos de aparatos eléctricos y electrónicos (RAEE).



Este símbolo indica que este producto no debe eliminarse con otros residuos domésticos al final de su vida útil. El aparato usado debe ser devuelto al punto de recogida oficial para el reciclaje de aparatos eléctricos y electrónicos. Para encontrar estos sistemas de recogida, por favor, póngase en contacto con las autoridades locales o con el distribuidor donde se compró el producto. Cada hogar desempeña un papel importante en la recuperación y el reciclaje de los aparatos viejos.

La eliminación adecuada de los aparatos usados ayuda a prevenir las posibles consecuencias negativas para el medio ambiente y la salud humana.

### Conformidad con la Directiva RoHS

El producto que ha adquirido cumple con la Directiva RoHS de la UE (2011/65/UE). No contiene materiales peligrosos ni prohibidos especificados en la Directiva.

### Información sobre el embalaje



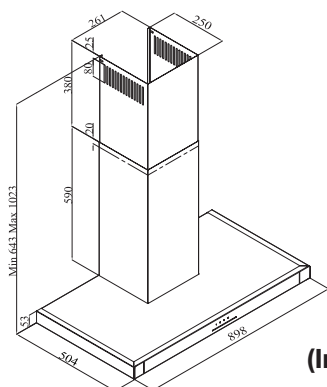
Los materiales de embalaje del producto están fabricados con ma-

## INSTRUCCIONES IMPORTANTES SOBRE SEGURIDAD Y MEDIO AMBIENTE \_\_\_\_\_

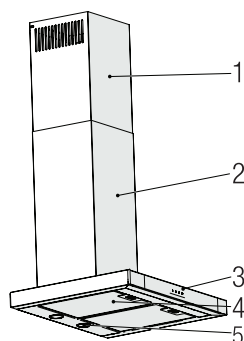
teriales reciclables de acuerdo con nuestra Normativa Medioambiental Nacional. No deseche los materiales de embalaje junto con los residuos domésticos o de otro tipo. Llévelos a los puntos de recogida de material de embalaje designados por las autoridades locales.

# APARIENCIA GENERAL

## Visión de conjunto



(Imagen 1)



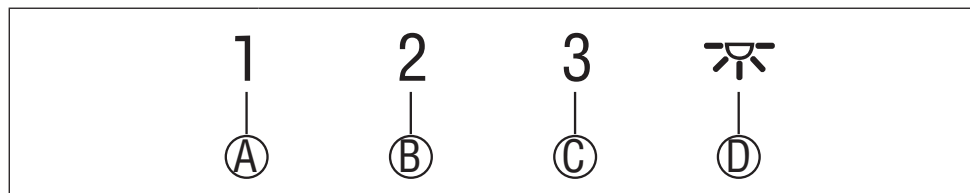
(Imagen 2)

## Datos técnicos

Modelo	GDKP5460BC
Tensión de alimentación	220-240V ~ 50 Hz
Potencia de la lámpara (W)	2 x 3 W
Potencia del motor (W)	210 W
Caudal (m <sup>3</sup> /h) - 3. Nivel	645 m <sup>3</sup> /h
Clase de aislamiento del motor	Clas F
Clase de aislamiento	Class I

# FUNCIONAMIENTO DEL APARATO

## Control del aparato



BOTÓN	FUNCIÓN
(A) : 1. Botón de nivel	Hace funcionar el aparato en la primera velocidad. Cuando se pulsa este botón de nuevo para apagar el aparato, el nivel de velocidad de la pantalla se apaga.
(B) : 2. Botón de nivel	Hace funcionar el aparato en la segunda velocidad. Cuando se pulsa este botón de nuevo para apagar el aparato, el nivel de velocidad de la pantalla se apaga.
(C) : Botón del nivel 3	Hace funcionar el aparato en la tercera velocidad. Cuando se pulsa este botón de nuevo para apagar el aparato, el nivel de velocidad de la pantalla se apaga.
(D) : Luz Encendida / Apagada	Puede iluminar el área de cocción pulsando este botón. Vuelva a pulsar este botón para apagar la lámpara.

## Funcionamiento eficiente y ahorro de energía

### Uso

- Al utilizar su campana, ajuste la velocidad de acuerdo a la cantidad de vapores y olores existentes, para así ahorrar energía.
- Utilice velocidades bajas (1-2) en condiciones normales, y velocidades altas (3) para el olor y el vapor intensos.
- Las lámparas en la campana son colocadas para iluminar la superficie donde se cocina.

Al usarlas como luces de ambientación se desperdiciará energía innecesariamente y dará una luz insuficiente.

## Instrucciones de funcionamiento

- Su campana contiene un motor con varias velocidades.
- Para un mejor rendimiento, recomendamos utilizar velocidades bajas en condiciones normales y velocidades altas en casos de olores fuertes y vapor intenso.
- Puede iniciar su campana pulsando el botón

de la velocidad deseada. (A, B, C)

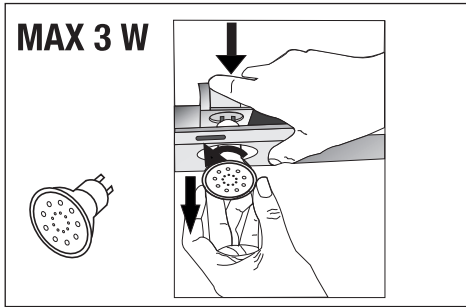
- Puede iluminar el área de cocción presionando la lámpara (D).

## Parada automática

Su aparato tiene la función de parada automática, que le permite ventilar un poco más y eliminar los olores y vapores indeseados del ambiente, y se apaga automáticamente después de terminar de cocinar. Para activar la función de parada automática, pulse el botón de cualquier nivel de velocidad (A, B, C) en el panel de control durante más de 2 segundos; se activará dicha función con un temporizador de 15 minutos. Cuando la función de parada automática esté activa, al pulsar el mismo botón de velocidad se desactivará la función de parada automática y el motor del aparato se detendrá. Esta función se desactiva cuando se cambia entre los diferentes niveles de velocidad. Si desea que el aparato se detenga automáticamente, debe activar de nuevo la función de parada automática.


# FUNCIONAMIENTO DEL APARATO

## Reemplazo de la lámpara

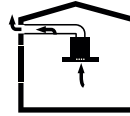


(Imagen 3)

Haga las conexiones eléctricas del aparato. Su aparato utiliza una lámpara LED de 3W. Para cambiar las lámparas, empuje el soporte desde atrás hacia abajo, gírelo en sentido contrario a las agujas del reloj y sáquelo hacia abajo. Haga lo anterior a la inversa para instalar nuevas lámparas (Imagen 3).

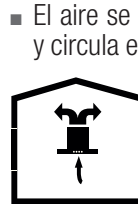
Bombilla	
Potencia de la bombilla (W)	3
Soporte / enchufe	GZ 10
Voltaje de la bombilla (V)	220 - 240
Tamaño (mm)	53 x 50
Código ILCOS	DR/F3-220-240-GZ10-50-53

## Funcionamiento con conexión al conducto



- El vapor se extrae a través del conducto de humo, que está sujeto a la cabeza de conexión en la campana.
- El diámetro del conducto de humos debe ser el mismo que el del anillo de conexión. En los entornos horizontales, el tubo tiene que tener una ligera inclinación hacia arriba (alrededor de 10°) para que el aire pueda salir fácilmente de la habitación.

## Funcionamiento sin conexión al conducto



- El aire se filtra a través del filtro de carbón y circula en la habitación. El filtro de carbón se utiliza cuando es imposible utilizar un conducto para humos en casa.
- Si el funcionamiento es sin conducto, quite las tapas dentro del adaptador del conducto.
- Retire el filtro de aceite. Para instalar el filtro de carbón, colóquelo en las pestañas centrándolo en la pieza de plástico a ambos lados del cuerpo del ventilador. Apriételo girando a la derecha o a la izquierda.
- Reemplace el filtro de aceite de aluminio.

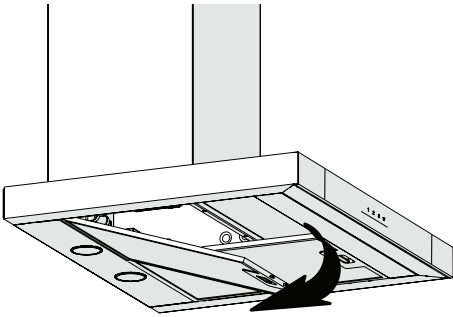




Antes de la limpieza y el mantenimiento, desenchufe el producto o apague el interruptor.

## Limpieza de los filtros de aceite de aluminio

El filtro de aceite de aluminio se utiliza para retener las partículas de aceite en el aire. Los filtros de aluminio pueden cambiar de color después de ser limpiados repetidamente. Esto es normal, y no debe reemplazar sus filtros.



(Imagen 4)

- Empuje el cierre del filtro de aceite de aluminio hacia adelante.
- Luego tire ligeramente hacia abajo y sáquelo (imagen 4). De lo contrario, puede deformar el filtro. Lave y enjuague los filtros de aceite de aluminio con detergente líquido y sustituya los filtros de aceite de aluminio realizando los pasos especificados anteriormente en orden inverso. Estos filtros de aceite de aluminio se utilizan para retener las partículas de aceite en el aire.



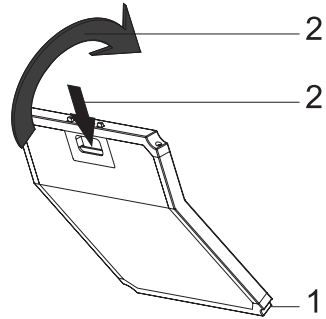
También puede lavar los filtros de aceite de aluminio en la lavadora.



### PRECAUCIÓN

En caso de uso normal, limpie su filtro de aceite de aluminio una vez al mes.

## Sustitución de los filtros de carbón



(Imagen 5)

El aparato que usted ha comprado es apropiado para su uso con filtros de carbón.

- Retire los filtros de aceite de aluminio (Imagen 4).
- Coloque la parte inferior del filtro de carbón en el alojamiento del motor (Imagen 5).
- Pulse en la pestaña del filtro de carbón y empújelo hacia adelante, y asegúrese de que las pestañas del filtro de carbón estén enganchadas y bloqueadas. (Imagen 5).
- Coloque los filtros de aceite de aluminio.



### PRECAUCIÓN

El filtro de carbón nunca será lavado.

**PRECAUCIÓN**

Reemplace los filtros de carbón una vez cada 3 meses.

**PRECAUCIÓN**

Puede obtener el filtro de carbón en los servicios técnicos autorizados.

# INSTALACIÓN DEL APARATO



## ¡ADVERTENCIA!

Antes de comenzar la instalación, lea la información de seguridad en el manual de usuario.



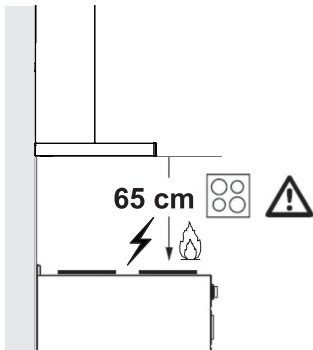
## ¡ADVERTENCIA!

Si no se instalan los tornillos y estabilizadores de acuerdo con estas instrucciones, puede producirse una descarga eléctrica.

Para la instalación de la campana, por favor contacte con el servicio técnico autorizado más cercano.

Es responsabilidad del cliente proveer la ubicación e instalación eléctrica apropiadas para la campana.

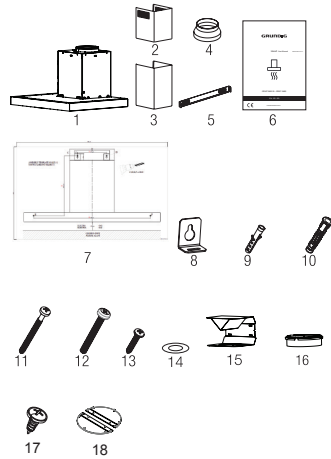
## Posición del aparato



(Imagen 6)

- La distancia entre la cocina y la campana extractora debe ser tenida en cuenta antes del montaje. Esta distancia debe ser de 65 cm (Imagen 6).
- La distancia debe medirse desde la superficie de la rejilla para las cocinas de gas,
- y desde la superficie del vidrio para las cocinas eléctricas.

## Accesorios de instalación



1. Producto
2. Conducto interno
3. Conducto exterior
4. Adaptador de Conducto de Chimenea de  $\varnothing 150/120\text{mm}$
5. Placa de conexión del conducto
6. Manual de Usuario
7. Patrón de ensamblaje
8. 2 x Placas de suspensión
9. 6 clavijas de plástico de  $\varnothing 6\text{ mm}$
10. 4 taquetes de plástico de  $\varnothing 10\text{ mm}$
11. 4 tornillos de montaje para pared de 5.5 x 60
12. 2 x M5 x 35 Tornillo de conexión de la placa de suspensión
13. 6 x 3.9 x 22 Tornillo de la placa de conexión del conducto
14. 2 x M4 Arandela
15. Deflector de aire
16. Adaptador de plástico (deflector de aire)
17. 2 x 3.5 x 9.5 tornillos de la placa de conexión de la chimenea
18. Grapa para chimenea

La información necesaria para elegir un lugar adecuado para la instalación de la campana se da a continuación.

# INSTALACIÓN DEL APARATO

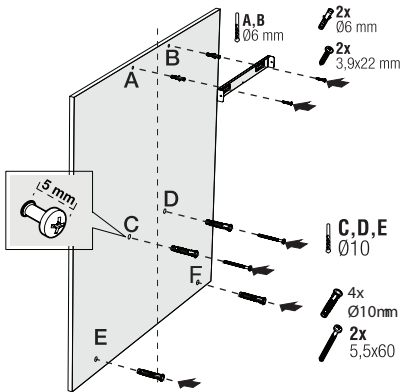
## Montaje en la pared

- La pared debe ser plana, recta y tener una capacidad de carga suficiente.
- La profundidad de los agujeros de perforación deben coincidir con la longitud de los pernos.
- Los tornillos y tacos proporcionados son adecuados para paredes de ladrillo. Para otros materiales de construcción (por ejemplo, paneles de yeso, placas, hormigón poroso), se deben utilizar apropiadas clavijas y tuercas de fijación.

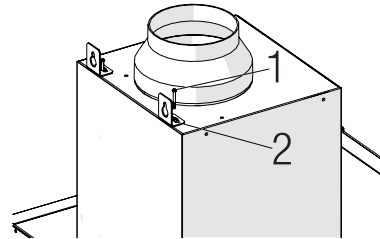
de conexión del conducto en la pared con 2 unidades de tornillos de 3,9x22 (Imagen 8).

Para instalar el cuerpo de la campana, taladre los puntos C,D,E,F especificados en la plantilla de instalación con una broca de  $\varnothing 10\text{mm}$  e inserte los tacos de plástico de  $\varnothing 10\text{mm}$  en estos puntos (Imagen 8).

Instale 2 tornillos de montaje de 5,5x60 en los puntos C y D con un espacio de 5 mm entre la cabeza del tornillo y la pared (Imagen 8).



(Imagen 7)



(Imagen 8)

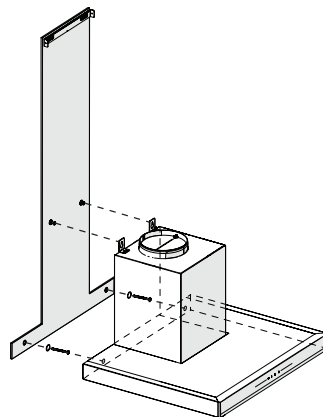
Instale dos placas de suspensión en el cuerpo de la campana con tornillos de montaje M5x35 (Imagen 9).

### PRECAUCIÓN

Antes de perforar, asegúrese de que no existan tuberías de alimentación, gas o agua cerca de las locaciones de perforación.

Dibuje una línea perpendicular desde techo hasta al borde inferior de la campana de cocina.

Fije el esquema de montaje a la pared. Para los puntos A y B, tome como referencia las dimensiones máximas de la campana, taladre en os puntos A y B que ha marcado con una broca de  $\varnothing 6\text{mm}$  y, a continuación, inserte los tacos de plástico de  $\varnothing 6\text{mm}$ . Instale la placa



(Imagen 9)

# INSTALACIÓN DEL APARATO

Sostenga la campana extractora por su cuerpo y colóquela sobre los tornillos de montaje en la pared y apriete los tornillos (Imagen 9).

Instale arandelas M4 en los tornillos de suspensión de 5,5x60. Fije la campana extractora con un tornillo de 5,5x60 a la pared a través del orificio de montaje en el interior del aparato (Imagen 9).

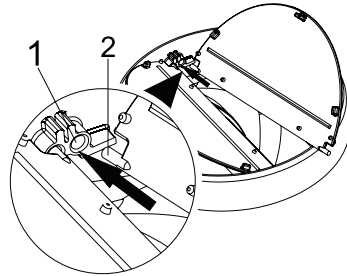
## Conexión al conducto

Si va a utilizar el adaptador de plástico para conductos de humos de 120/150 mm de diámetro, conecte un extremo del tubo a este adaptador, si no lo va a utilizar, a la salida directa del producto. Conecte el otro extremo del tubo al conducto de humos. Compruebe que estas dos conexiones están lo suficientemente firmes para que no se aflojen cuando el aparato funcione a plena potencia. Compruebe si las tapas del interior del conducto funcionan cuando se aprietan

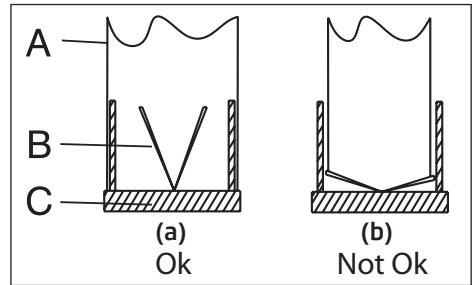
con las abrazaderas. Conecte la conexión del conducto fuera del adaptador (Imagen 11/a). Si el conducto de conexión está colocado en el interior del adaptador, no se producirá la succión de aire ya que la tapa de salida de humos que impide el retorno del aire permanecerá cerrada (Imagen 11 / b). La longitud de la conexión de la tubería, así como el número de codos deben ser de lo mínimo posible.

- A : Tubo de salida de humos
- B : Tapas de no retorno
- C: Adaptador de escape de plástico

Las válvulas están cerradas y el aparato no funciona, lo que evita que el posible olor exterior y el polvo entren en el interior.



(Imagen 10)



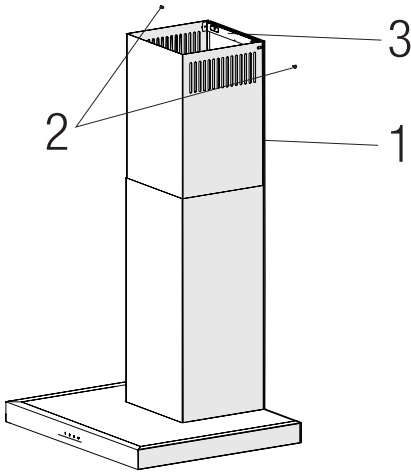
(Imagen 11)

## Instalación de la campana en el conducto

Lleve a cabo la conexión eléctrica de su campana antes de empezar con la instalación del conducto de humos. Deslice las placas del conducto alrededor del cuerpo.

Instale la placa del conducto en la placa de sujeción del conducto que está fijada a la pared por sus bordes exteriores superiores (Imagen 12).

# INSTALACIÓN DEL APARATO



(Imagen 12)

1. Conducto interno
2. 2 tornillos de 2x 3.5x9.5
3. Placa de conexión del conducto

## Instalación del deflector de aire

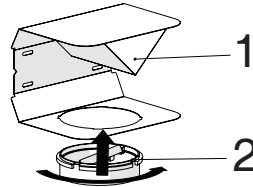
Si se adquiere la versión con filtro de carbón, el deflector de aire se suministrará con el aparato con el objetivo de volver a liberar el aire que se limpia con el filtro de carbón. Este aire proviene de los orificios situados en el conducto de humo. Monte el deflector de aire como se indica a continuación.

En el medio de la placa de conexión del conducto hay una pestaña. El punto medio de la pestaña se coloca en la línea perpendicular dibujada en la pared. Alinee horizontalmente y marque los agujeros donde se montará la placa de conexión con un bolígrafo (Imagen 13 / A, B).

Taladre los puntos marcados con un taladro de  $\varnothing 6\text{mm}$  e inserte dos tacos de plástico de  $\varnothing 6\text{mm}$  en los agujeros taladrados (Imagen 13 / A, B).

Fije la placa de conexión del conducto a la pared con tornillos de 3,9x22 (Imagen 13/ A, B).

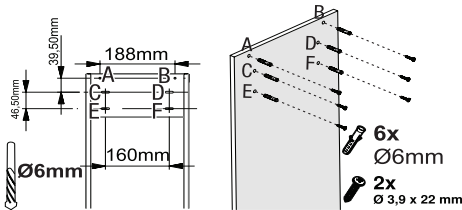
Para el montaje del deflector de aire, perforo el punto C, D, E, F con un taladro de  $\varnothing 6\text{mm}$  e inserte tacos de plástico de  $\varnothing 6\text{mm}$  (Imagen 13).



(Imagen 14)

- 1- Deflector de aire
2. Conducto de plástico

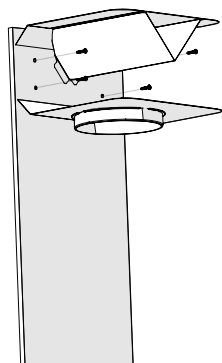
Coloque el adaptador de plástico para conductos de humos, que se incluye en el paquete, en la misma dirección del deflector de aire. Fije el adaptador del conducto girándolo en la dirección de la flecha (Imagen 14).



(Imagen 13)

## INSTALACIÓN DEL APARATO

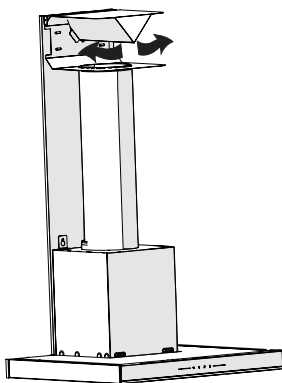
---



**(Imagen 15)**

Monte el deflector de aire con tornillos de 3,9 x 22 en los puntos C, D, E, F que ya ha preparado anteriormente (Imagen 13).

Monte el cuerpo de la campana (Página 12 / Imagen 7).



**(Imagen 16)**

1- Tubo de salida de aire de aluminio  
Monte el tubo de salida de aire (Imagen 16).



Ya que los giros y curvas del tubo de aluminio conducirán a una reducción de la potencia de aspiración de aire, evite usarlos tanto como sea posible.

Instale las placas de conducto de la campana (Página 13 / Imagen 12)

## SOLUCIÓN DE PROBLEMAS

Solución de problemas	Causa principal	Ayuda
El aparato no funciona.	Revise los fusibles.	El fusible puede estar fundido, revíselo y cámbielo, si es necesario.
El aparato no funciona.	Revise la conexión eléctrica.	El voltaje de la red debe ser entre 220 y 240 V.
El aparato no funciona.	Revise la conexión eléctrica.	Compruebe si funcionan otros aparatos en su cocina.
La lámpara de iluminación no funciona.	Revise la conexión eléctrica.	El voltaje de la red debe ser entre 220 y 240 V.
La lámpara de iluminación no funciona.	Revise el interruptor de la lámpara.	El interruptor de la lámpara debe estar en posición "on" (encendido).
La lámpara de iluminación no funciona.	Revise las lámparas.	Las lámparas del aparato se iluminarán.
La entrada de aire del aparato no es adecuada.	Revise el filtro de aluminio.	En condiciones normales de funcionamiento, el filtro de aceite de aluminio se limpiará al menos una vez al mes.
La entrada de aire del aparato no es adecuada.	Revise el conducto de descarga de aire.	El conducto de descarga de aire debe estar en posición "on" .
La entrada de aire del aparato no es adecuada.	Revise el filtro de carbón.	Los filtros de carbón serán reemplazados una vez cada 3 meses en condiciones normales.



### CONDICIONES DE GARANTIA PARA GAMA BLANCA - ESPAÑA

El presente certificado cubre la garantía de reparación de su electrodoméstico de gama blanca\* durante **tres años**, a partir de la fecha de venta, contra todo defecto de funcionamiento proveniente de fabricación o materiales; o de sustitución del aparato, salvo que una de estas opciones resulte imposible o desproporcionada respecto de la otra. Cuando usted detecte un defecto o anomalía en el aparato contacte de forma inmediata con nosotros, un plazo de dos meses es el límite para informarnos de la falta de conformidad. El cargo de desplazamiento está incluido en la reparación, excepto para pequeños electrodomésticos que pueden ser transportados al taller del servicio oficial de la marca. En caso de sustitución, el plazo de garantía se suspende y el nuevo aparato mantendrá el periodo de vigencia del aparato sustituido, y como mínimo 6 meses de garantía.

La presente garantía sólo será válida si se presenta factura, ticket de compra o el albarán de entrega del producto correspondiente si éste fuera posterior a la fecha de factura. La presente garantía es válida en el territorio español para los aparatos distribuidos por Beko Electronics España S.L.. La garantía sólo tendrá validez sobre el primer comprador o adquirente del producto. La garantía será válida para aparatos adecuados a las condiciones climáticas y medioambientales en que estén ubicados.

### EXCLUSIONES DE LA GARANTIA

El coste de la reparación será a cargo del usuario en los siguientes casos:

- Los aparatos utilizados para uso profesional o no exclusivamente doméstico, en establecimientos públicos, industriales o comerciales.
- Los aparatos desmontados o manipulados por personas ajenas a los servicios técnicos expresamente autorizados.
- Las instalaciones, transporte, sustitución de aparatos, puestas en marcha, cambio de sentido de puertas.
- Intervenciones de mantenimiento o de información sobre el uso de los aparatos.
- Cambio de inyectores en aparatos de gas.
- Las averías provocadas por falta de mantenimiento o limpieza o aquellas provocadas por un uso indebido, sobrecarga, abandono o de manera no conforme a las instrucciones de uso o de instalación de los aparatos.
- Las averías producidas por causas fortuitas, siniestros de fuerza mayor o derivados de instalación incorrecta y en general, averías por causas ajenas al propio aparato.
- Las averías provocadas por conexiones que puedan presentar fluctuaciones, irregularidades o falta de uniformidad en el suministro, por ejemplo: suministro de agua impulsado por grupos de presión, energía solar, energía eólica, generadores eléctricos, u otro tipo de suministro no normalizado.
- La sustitución de materiales rotos o deteriorados por desgaste o uso no normal del aparato, o materiales consumibles tales como: juntas, plásticos, gomas, correas, cristales, escobillas, bombillas, asas, tiradores, tapas de quemadores, filtros, rejillas, ánodos de magnesio de calentadores, etc.
- Los aparatos que presenten oxidación, o daños por corrosión en esmaltes o pinturas, que puedan ser provocados por efectos químicos o electroquímicos del agua o cualquier otra sustancia, o aceleradas por circunstancias ambientales o climáticas no propicias.
- Defectos estéticos en serigrafía o pintura.
- Los daños de transporte o manipulación, golpes, etc.
- Los aparatos deben instalarse de forma accesible para su reparación, debiendo asumir el usuario los costes necesarios para el acceso al aparato para su reparación y sustitución.

La presente garantía no afecta a los derechos de que dispone el consumidor conforme a lo previsto en el Real Decreto 1/2007, de 16 de noviembre, por el que se aprueba el texto refundido de la Ley General para la Defensa de los Consumidores y Usuarios y otras leyes complementarias, y la Ley 3/2014 que la modifica.

El Servicio Oficial de Asistencia Técnica resolverá cualquier incidencia que pudiera precisar su electrodoméstico siempre que el aparato esté instalado de forma accesible.

Para asegurarse que su electrodoméstico va a ser intervenido por un técnico oficial autorizado, rogamos solicite el carnet avalado por ANFEL (Asociación Nacional de Fabricantes de Electrodomésticos) a nuestros técnicos.

Las marcas BEKO, ALTUS, BLOMBERG, y GRUNDIG se distribuyen por Beko Electronics España S.L.

### DATOS APARATO (a rellenar por el Distribuidor):

Titular:		Sello Establecimiento:
Modelo:	Núm. serie:	
Establecimiento:	Fecha de compra:	

**El garante e importador de su electrodoméstico es: BEKO ELECTRONICS ESPAÑA S.L. Calle Provenza nº 388 3º Barcelona 08025, España. El producto ha sido fabricado por ARÇELIK A.S (Arçelik A.S.Sütlüce Karaağaç Cad. No:2-6 34445 Beyoğlu, Istanbul, Turkey).**

**Conózanos mejor en nuestra página: [www.grundig.com](http://www.grundig.com) Conserve este documento, es importante para usted.**

(\*) Se consideran electrodomésticos de gama blanca, los aparatos de frío, cocción, lavado y secado, etc, no incluidos en la categoría de pequeño aparato electrodoméstico (PAE).

## Citiți mai întâi acest manual de utilizare!

Stimați clienți,

Vă mulțumim că ați ales un produs GRUNDIG. Am dori să obțineți eficiența optimă de la acest produs de înaltă calitate care a fost fabricat cu tehnologie de ultimă generație. Vă rugăm să citiți și să înțelegeți integral acest ghid și documentația suplimentară înainte de utilizare și să îl păstrați ca referință. Includeți acest ghid împreună cu unitatea dacă o predați altcuiva. Respectați toate avertismentele și informațiile din acest document și urmați instrucțiunile.

Rețineți că instrucțiunile din acest manual se pot aplica și altor modele de produse. Acest manual precizează cu exactitate toate modificările diferitelor modele.

### Simboluri și semnificațiile lor

Aceste simboluri sunt utilizate în prezentul ghid:



Informații și recomandări importante privind utilizarea aparatului.



**ATENȚIE:** Avertismente privind vătămarea corporală sau daunele materiale.



Pericol de electrocutare,



Risc de incendiu.



Acest produs a fost conceput în fabrici moderne, care pun accent pe respectarea mediului, fără a deteriora natura.

În conformitate cu Regulamentul WEEE.



Nu este inclus niciun element din bifenil policlorurat.

### Siguranță generală

Instrucțiuni importante cu privire la siguranță Citiți cu atenție și păstrați-le pentru consultare ulterioară Această secțiune conține instrucțiuni privind siguranța, care vă vor proteja împotriva riscului de incendiu, electrocutare, expunere la scurgeri de microunde, vătămare corporală și pagube materiale. Nerespectarea acestor instrucțiuni atrage anularea garanțiilor acordate.

- Produsele de la Grundig sunt conforme standardelor de siguranță aplicabile; din acest motiv, în caz de defecțiune a produsului sau a cablului de alimentare, acestea trebuie reparate sau înlocuite de distribuitor, un centru de service sau un service similar specializat și autorizat, pentru evitarea oricărui pericol. Lucrările de reparații greșite sau efectuate de persoane necalificate pot cauza pericole sau riscuri utilizatorului.
- Acest aparat este destinat pentru a fi utilizat în scop casnic și aplicații similare cum ar fi:
  - Bucătării pentru personalul din magazine, birouri sau alte medii de lucru;
  - Ferme
  - De către clienți în hoteluri, moteluri sau alte medii de tip rezidențial;
  - Medii de tip pensiune.
- Utilizați acest produs doar pentru uzul desemnat, așa cum este descris în acest

manual.

- Producătorul nu își asumă răspunderea pentru daunele provocate de instalarea incorectă sau utilizarea greșită a produsului.
- Acest aparat poate fi utilizat de către copii cu vârsta minimă de 8 ani și de către persoanele cu capacități fizice, senzoriale sau mentale reduse sau lipsite de experiență și de cunoștințe, dacă aceștia au fost supravegheați sau instruiți cu privire la utilizarea produsului într-un mod sigur și dacă înțeleg pericolele implicate.
- Copiii nu trebuie să se joace cu aparatul. Operațiunile de curățare și întreținere nu trebuie să fie efectuate de către copii fără supraveghere.
- Distanța minimă dintre suprafețele de susținere pentru vasele de gătit de pe plită și partea cea mai joasă a hotei trebuie să fie de 65 cm.
- Dacă instrucțiunile de instalare a plitei cu gaz specifică distanțe mai mari decât cele de mai sus, se vor respecta instrucțiunile respective.
- Asigurați-vă că tensiunea de alimentare corespunde cu informațiile furnizate pe plăcuța cu date tehnice a produsului.
- Nu utilizați aparatul atunci când cablul de alimentare sau aparatul în sine este avari.
- Nu strângeți, nu îndoiți și nu frecăți cablul de alimentare de margini tăioase, pentru a

## INSTRUCȚIUNI IMPORTANTE REFERITOARE LA SIGURANȚĂ ȘI MEDIUL ÎNCONJURĂTOR \_\_\_\_\_

preveni avarierea acestuia. Feriți cablul de alimentare de suprafețele fierbinți și focul deschis.

- Utilizați produsul doar cu o priză cu împământare.

**AVERTISMENT:** Nu conectați produsul la priza de alimentare înainte de finalizarea instalării.

- Amplasați aparatul astfel încât ștecherul să fie întotdeauna accesibil.
- Nu atingeți lămpile dacă au funcționat mult timp. Vă pot arde mâinile, deoarece vor fi fierbinți.
- Respectați reglementările stabilite de autoritățile competente privind evacuarea aerului rezidual (acest avertisment nu este valabil la utilizarea fără coșul de fum).
- Folosiți produsul după ce ați pus o oală, o tigaie etc. pe plită. În caz contrar, căldura ridicată poate cauza deformări în unele părți ale produsului.
- Opriti plita înainte de a lua oala, tigaia etc. de pe aceasta.
- Nu lăsați ulei fierbinte pe plită. Tigăile cu ulei fierbinte pot provoca auto-combustia.
- Fiți atenți la perdele și huse, deoarece uleiul poate lua foc în timp ce gătiți alimente cum ar fi cartofi prăjiți.
- Filtrul de grăsime trebuie înlocuit cel puțin lunar. Filtrul de carbon trebuie înlocuit cel puțin o dată la 3 luni.

- Produsul trebuie curățat conform manualului de utilizare. În cazul în care curățarea nu a fost efectuată conform manualului de utilizare, există risc de incendiu.
- Nu folosiți materiale de filtrare care nu sunt rezistente la foc, în locul filtrului actual.
- Utilizați doar componentele originale sau componentele recomandate de către producător.
- Nu folosiți produsul fără filtru și nu scoateți filtrele în timp ce produsul funcționează.
- În cazul în care se produce o flacără, opriți alimentarea produsului și aparatele de gătit.
- În cazul în care se produce o flacără, acoperiți flacăra și nu utilizați apă pentru stingere.
- Înainte de fiecare curățare și atunci când produsul nu este folosit, scoateți-l din priză.
- Presiunea negativă în mediu nu trebuie să depășească 4 Pa (4 x 10 bari), în timp ce hota pentru plita electrică și aparatele care funcționează cu un alt tip de energie decât electricitatea funcționează simultan.
- În mediul în care este folosit produsul, evacuarea dispozitivelor care funcționează pe combustibil lichid sau motorină, cum ar fi radiatorul, trebuie să fie complet izolată sau dispozitivul trebuie să fie de tip ermetic.
- La conectarea coșului de evacuare, folosiți țevi cu diametrul de 120 sau 150 mm.

## INSTRUCȚIUNI IMPORTANTE REFERITOARE LA SIGURANȚĂ ȘI MEDIUL ÎNCONJURĂTOR \_\_\_\_\_

Racordul țevilor trebuie să fie cât mai scurt posibil și să aibă cât mai puține coturi.

**Pericol de sufocare!** Păstrați materialele de ambalare la loc inaccesibil copiilor.

**ATENȚIE:** În timpul utilizării cu aparate de gătit, piesele accesibile se pot încinge.

- Evacuarea hotei nu trebuie să fie conectată la canalele de aer care includ alte tipuri de fum.
- Ventilația în cameră poate fi insuficientă atunci când hota pentru plita electrică este folosită simultan cu dispozitive care funcționează cu gaz sau alți combustibili (nu se aplică neapărat în cazul aparatelor care doar evacuează aerul înapoi în cameră).
- Obiectele plasate pe produs pot să cadă. Nu amplasați nici un obiect pe aparat.
- Nu flambați alimente sub produs.

**AVERTISMENT:** Îndepărtați foliile de protecție înainte de a instala hota.

- Nu lăsați niciodată focul deschis la intensitate mare sub hotă când aceasta funcționează.
- Friteuzele trebuie supravegheate permanent în timpul folosirii: uleiul supraîncălzit se poate aprinde.

### Conformitate cu Directiva DEEE și eliminarea deșeurilor:

Acest produs este conform cu Directiva DEEE a UE (2012/19/EU). Acest produs poartă un simbol

pentru deșeuri de echipamente electrice (DEEE).



Acest simbol indică faptul că acest produs nu trebuie eliminat împreună cu alte deșeuri menajere la sfârșitul duratei sale de utilizare.

Dispozitivul uzat trebuie returnat

către un punct oficial de colectare pentru reciclarea dispozitivelor electrice și electronice. Pentru a găsi aceste sisteme de colectare contactați autoritățile locale sau distribuitorul de la care a fost achiziționat produsul. Fiecare gospodărie are un rol important în recuperarea și reciclarea electrocasnicelor vechi. Eliminarea corespunzătoare a electrocasnicelor uzate ajută la prevenirea posibilelor consecințe negative pentru mediu și sănătatea umană.

### Conformitatea cu Directiva RoHS

Produsul pe care l-ați achiziționat este conform cu Directiva RoHS UE (2011/65/UE). Produsul nu conține

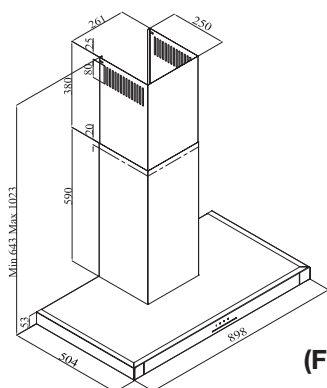
materiale dăunătoare sau interzise specificate în Directivă.

### Informații despre ambalaj

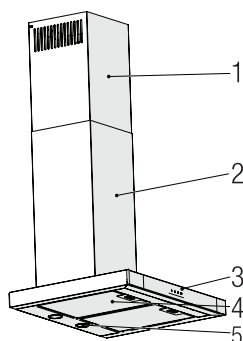


Ambalajul produsului este fabricat din materiale reciclabile, în conformitate cu reglementările naționale de mediu. Nu eliminați ambalajul împreună cu deșeurile menajere sau de alt tip. Transportați-le la punctele de colectare a ambalajelor desemnate de către autoritățile locale.

## Prezentare generală



(Figura 1).



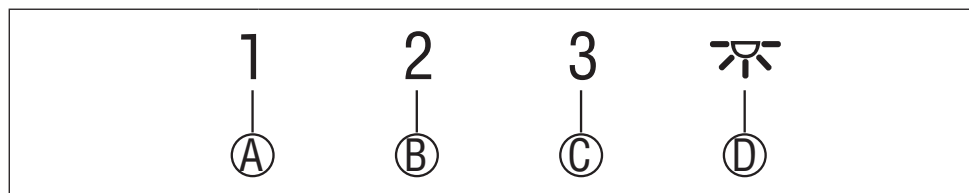
1. Tub de evacuare intern
2. Tub de evacuare extern
3. Panou de control
4. Filtre de ulei din aluminiu
5. Sistem de iluminare

(Figura 2)

## Date tehnice

<b>Model</b>	GDKP5460BC
<b>Tensiune alimentare</b>	220-240V ~ 50 Hz
<b>Alimentare lampă (W)</b>	2 x 3 W
<b>Putere motor (W)</b>	210 W
<b>Debit (m<sup>3</sup>/h) – 3. Nivel</b>	645 m <sup>3</sup> /h
<b>Clasa de izolație motor</b>	Clasa F
<b>Clasa de izolație</b>	Clasa I

## Controlul aparatului



CHEIE	FUNȚIE
(A): 1. Buton treaptă	Acționați aparatul la viteza 1. Când apăsați din nou acest buton pentru a opri aparatul, etapa de viteză a ecranului se oprește.
(B): 2. Buton treaptă	Acționați aparatul la viteza 2. Când apăsați din nou acest buton pentru a opri aparatul, etapa de viteză a ecranului se oprește.
(C): Buton treaptă 3	Acționați aparatul la viteza 3. Când apăsați din nou acest buton pentru a opri aparatul, etapa de viteză a ecranului se oprește.
(D): Lumină On / Off	Puteți ilumina zona de gătit apăsând acest buton. Apăsați din nou acest buton pentru a stinge becul.

## Funcționarea eficientă din punct de vedere energetic în termeni de economisire Folosire

- Când folosiți hota, ajustați setările de viteză conform vaporilor și intensității mirosului, pentru a economisi energie.
- Folosiți viteze mici (1-2) în condiții normale și viteze mari (3) pentru mirosuri intense și vapori.
- Lămpile de pe hotă sunt plasate pentru iluminarea zonei de gătit.

Folosirea lor pentru lumina ambientală va produce consul de energie inutil și lumină insuficientă.

## Instrucțiuni de utilizare

- Hota dvs. conține un motor care are viteze diferite.
- Pentru o performanță mai bună, vă recomandăm să utilizați viteze reduse în condiții normale și viteze mari în caz de mirosuri puternice și vapori intensi.
- Puteți porni aparatul apăsând butonul de setare a vitezei dorit. (A, B, C)

- Puteți ilumina zona de gătit apăsând lampa (D).

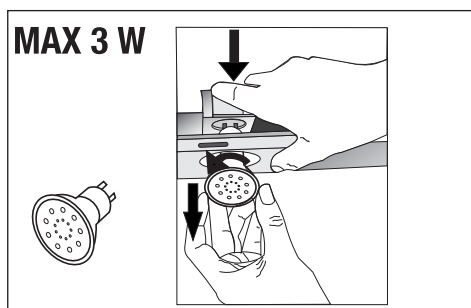
## Oprire automată

Aparatul dvs. are caracteristica Oprire automată, permițându-i să se ventileze puțin mai mult și să elimine mirosurile nedorite și vaporii din mediu și să se oprească automat după ce se termină gătitul. Pentru a activa funcția Oprire automată, apăsați orice buton al treptei de viteză (A, B, C) de pe panoul de comandă pentru mai mult de 2 secunde; funcția de temporizare de 15 minute se activează. Atunci când funcția de oprire automată este activă, apăsarea aceluiși buton de viteză dezactivează funcția de oprire automată, iar motorul aparatului se oprește. Această caracteristică este dezactivată atunci când comutați între diferite etape de viteză. Dacă doriți ca aparatul să se oprească automat, trebuie să activați din nou funcția de oprire automată.



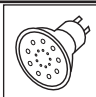
# FUNȚIONAREA APARATULUI

## Înlocuirea becului

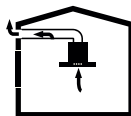


(Figura 3)

Efectuați conexiunile electrice ale aparatului. Aparatul dvs. utilizează un bec LED spot de 3W. Pentru înlocuirea becurilor, apăsați în jos suportul din spate, răsuțiți-l puțin în sensul antiorar și scoateți-l trăgându-l în jos. Aplicați operațiunea de mai sus în sens invers pentru a instala becuri noi (Figura 3).

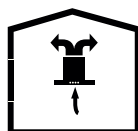
Bec	
Putere Bec (W)	3
Suport / priză	GZ 10
Tensiune bec (V)	220 - 240
Dimensiune (mm)	53 x 50
Cod ILCOS	DR/F3-220-240-GZ10-50-53

## Funcționare cu racordare la tubul de evacuare



- Vaporii sunt extrași prin conducta de evacuare, care este fixată pe capul de conectare de pe hotă.
- Diametrul conductei de evacuare trebuie să fie același cu cel al inelului de conectare. În setări orizontale, țeava trebuie să aibă o ușoară pantă ascendentă (aproximativ 10°), astfel încât aerul să poată ieși cu ușurință din cameră.

## Funcționare fără racordare la tubul de evacuare



- Aerul este filtrat prin filtrul de carbon și recirculat în cameră. Filtrul de carbon este utilizat atunci când este imposibil de utilizat un tub în casă.
- În cazul utilizării fără tub de evacuare, îndepărtați clapetele din interiorul adaptorului pentru tubul de evacuare.
- Scoateți filtrul de ulei. Pentru a instala filtrul de carbon, montați filtrul pe clapete centrându-l pe piesa din plastic de pe ambele părți ale corpului ventilatorului. Strângeți-l prin rotirea spre dreapta sau spre stânga.
- Înlocuiți filtrul de ulei de aluminiu.



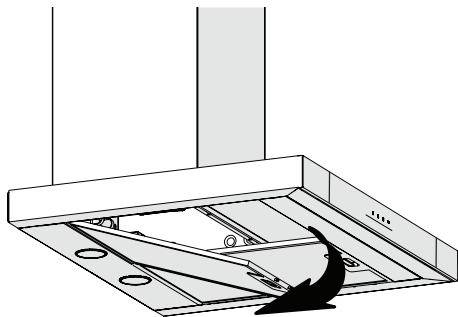
Înainte de curățare și întreținere, deconectați produsul sau opriți întrerupătorul.



De asemenea, puteți spăla filtrele de ulei din aluminiu în mașina de spălat.

## Curățarea filtrelor de ulei de aluminiu

Filtrul de ulei din aluminiu este utilizat pentru a reține particulele de ulei din aer. Filtrele de aluminiu își pot schimba culoarea după curățarea repetată. Acest lucru este normal și filtrele nu trebuie înlocuite.



(Figura 4)

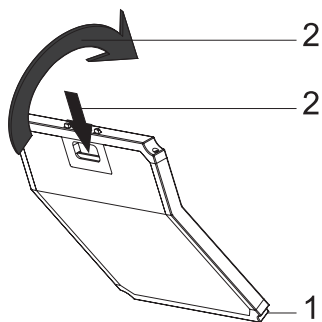
- Împingeți înainte blocarea filtrului de ulei din aluminiu.
- Apoi trageți-l ușor în jos și trageți-l afară (Figura 4). În caz contrar, puteți îndoi filtrul. Spălați și clătiți filtrele de ulei din aluminiu cu detergent lichid înlocuiți filtrele de ulei din aluminiu, efectuând pașii specificați mai sus în ordine inversă. Aceste filtre de ulei din aluminiu sunt utilizate pentru a reține particulele de ulei din aer.



### ATENȚIE

În caz de utilizare normală, curățați filtrul de ulei din aluminiu o dată pe lună.

## Înlocuirea filtrelor de carbon



(Fig. 5)

Dispozitivul pe care l-ați achiziționat este potrivit pentru utilizarea cu filtre de carbon.

- Îndepărtați filtrele de ulei din aluminiu (Figura 4).
- Puneți partea inferioară a filtrului de carbon în carcasa motorului (Figura 5).
- Apăsăți butonul filtrului de carbon înainte și asigurați-vă că butoanele filtrului de carbon sunt conectate și blocate. (Figura 5).
- Atașați filtrele de ulei de aluminiu.



### ATENȚIE

Filtrul de carbon nu trebuie spălat niciodată.

**ATENȚIE**

Înlocuiți filtrele de carbon o dată la 3 luni.

**ATENȚIE**

Puteți obține filtrul de carbon de la vânzătorii autorizați.



## AVERTISMENT!

Înainte de a începe instalarea, citiți informațiile de siguranță din Manualul utilizatorului.



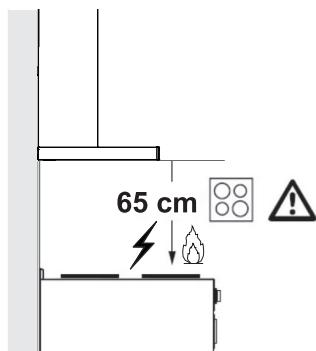
## AVERTISMENT!

Neinstalarea cu șuruburi și stabilizatori în conformitate cu aceste instrucțiuni poate duce la electrocutare.

Pentru instalarea hotei, vă rugăm să contactați cel mai apropiat serviciu autorizat.

Este responsabilitatea clientului să pregătească locația și instalarea electrică a hotei.

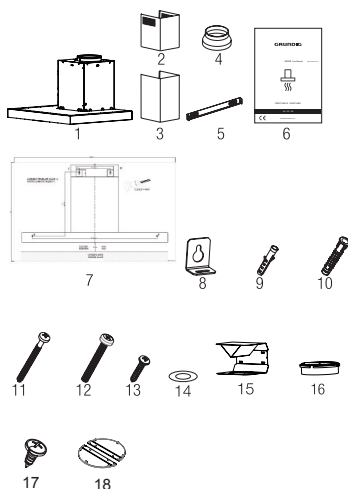
## Poziția aparatului



(Figura 6)

- Distanța dintre aragaz și hotă trebuie luată în considerare înainte de asamblare. Această distanță trebuie să fie de 65 cm (Figura 6).
- Distanța trebuie măsurată de la suprafața grătarului pentru aragazuri pe gaz,
- de la suprafața sticlei pentru aragazuri electrice.

## Accesorii de instalare

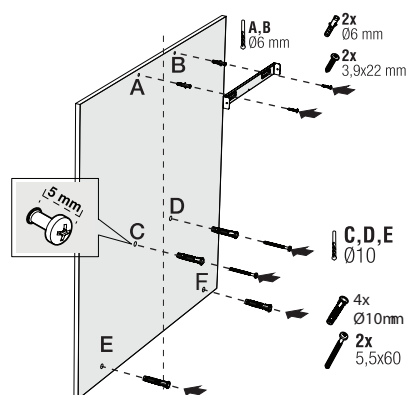


1. Produsul
2. Tub de evacuare intern
3. Tub de evacuare extern
4. Adaptor tub de evacuare Ø150/120 mm
5. Placă de conexiune tub evacuare
6. Manual de utilizare
7. Schema de instalare
8. 2 x Plăci de agățare a produsului
9. 6 x dibluri din plastic Ø6 mm
10. 4 x dibluri din plastic Ø10 mm
11. 4 x șuruburi de montare pe perete 5,5x60
12. 2 x M5 x 35 Șuruburi de conexiune placă de agățare
13. 6 x șuruburi pentru placa de conexiune tub evacuare 3.9 x 22
14. Șaibă M4 x 2
15. Deflector de aer
16. Adaptor din plastic (distribuitor de aer)
17. 2 x 3.5 x 9.5 Șurub guseu coș
18. Clemă coș

Informațiile necesare pentru a alege locul adecvat pentru instalarea hotei sunt prezentate mai jos.

## Montare pe perete

- Peretele trebuie să fie plat, drept și să aibă o capacitate suficientă de încărcare.
- Adâncimea găurilor trebuie să corespundă cu lungimea șururilor.
- Șururile și diblurile furnizate sunt potrivite pentru pereți din cărămidă. Pentru alte materiale de construcții (de exemplu, gips carton, placă, beton poros), se folosesc dibluri și piulițe de fixare adecvate.



(Figura 7)

**ATENȚIE**  
Înainte de găurire, asigurați-vă că nu există conducte de alimentare, gaz sau apă, în imediata apropiere a locațiilor de găurire.

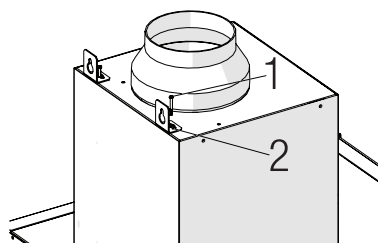
Desenați o linie de mijloc din tavan perpendicular pe marginea inferioară a hotei ( ).

Fixați sistemul de asamblare pe perete. Pentru punctele A și B, luați ca referință dimensiunile maxime ale hotei și găuriți punctele A și B pe care le-ați marcat cu un burghiu de Ø6mm și loviți fișele de perete din plastic de Ø6mm. In-

stalați placa de conexiune a tubului de conectare pe perete cu 2 bucăți de șuruburi 3.9x22 (Figura 8).

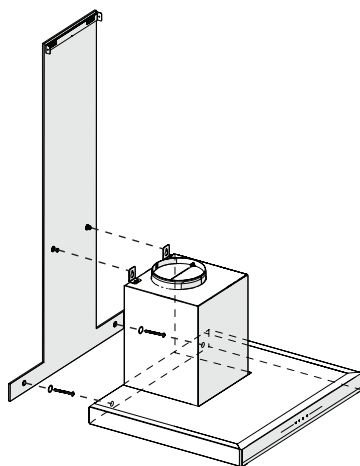
Pentru a instala corpul hotei, găuriți punctele C,D,E,F specificate în șablonul de instalare cu un burghiu de Ø10mm și loviți diblurile din plastic de Ø10mm în aceste puncte (Figura 8).

Instalați 2 bucăți de șuruburi de montare 5.5x60 în punctele C și D, cu un spațiu de 5 mm între capul șurubului și perete (Figura 8).



(Figura 8)

Instalați două plăci agățare pe corpul hotei cu șuruburi de montare M5x35 (Figura 8).



(Figura 9)

## INSTALAREA APARATULUI

Țineți hota de corpul său și puneți-o pe șuruburile de suspendare de pe perete și strângeți șuruburile (Figura 9).

Montați saibele M4 la șuruburile de suspensie 5,5x60. Fixați hota cu un șurub de 5,5x60 pe perete prin orificiul de montare din interiorul aparatului (Figura 9).

### Conectarea la tubul de evacuare

Dacă aveți de gând să utilizați adaptorul din plastic pentru tubul de evacuare Ø 120/150 mm, conectați un capăt al țevii la acest adaptor, dacă nu aveți de gând să-l utilizați, conectați-l la conducta de evacuare directă a produsului. Conectați celălalt capăt al țevii la tubul de evacuare. Verificați dacă aceste două conexiuni sunt suficient de strânse pentru a nu ieși atunci când aparatul funcționează la putere maximă. Verificați dacă clapetele din interiorul tubului de evacuare funcționează atunci când sunt strânse

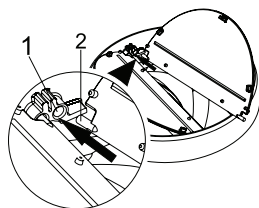
cu cleme. Conectați conducta de conectare a tubului în afara adaptorului (Figura 11/a). Dacă conducta de conectare este montată în interiorul adaptorului, aspirația aerului nu trebuie să aibă loc, deoarece clapeta tubului care împiedică revenirea aerului va rămâne închisă (Figura 11/b). Lungimea conductei de conectare, precum și numărul de coturi trebuie să fie cât mai mici posibil.

A: Țeavă de ieșire a tubului de evacuare

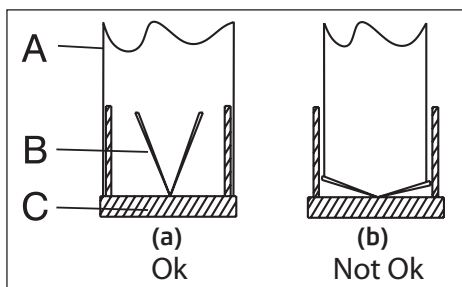
B: Clapete de reținere

C: Tub de evacuare din plastic

Supapele sunt închise, apoi aparatul nu funcționează și împiedică pătrunderea în interior a mirosurilor și prafului din exterior.



(Figura 10)

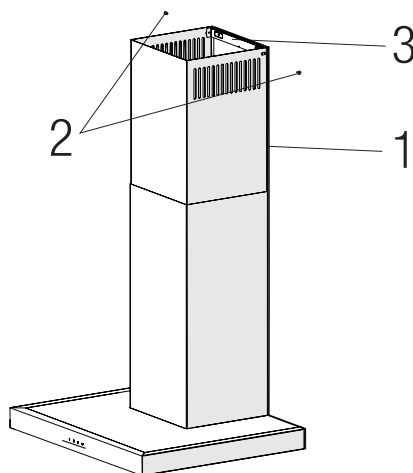


(Figura 11)

### Instalarea hotei la tubul de evacuare

Realizați conexiunea electrică a hotei înainte de a începe instalarea tubului de evacuare. Glisați plăcile tubului de evacuare în jurul corpului.

Instalați placa tubului de evacuare pe placa de fixare a tubului care este fixată pe perete de la marginile sale exterioare superioare (Figura 12).

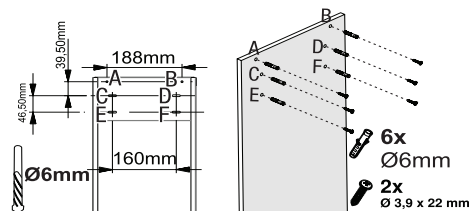


(Figura 12)

1. Tub de evacuare intern
2. Șurub 3.5x9.5
3. Placă de conexiune tub evacuare

## Instalarea deflectorului de aer

În timpul utilizării cu filtrul de carbon, aparatul este dotat cu deflector de aer cu scopul de a elibera din nou aerul care este curățat cu filtrul de carbon din orificiul perforat situat pe tub. Asamblați deflectorul de aer urmând instrucțiunile menționate mai jos.



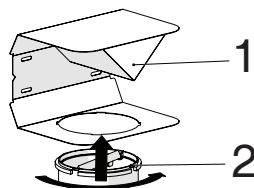
(Fig. 13)

Există o filă în mijlocul placă de conexiune tub evacuare. Amplasați punctul de mijloc al acestei file pe linia pe care este trasată perpendicular pe perete. Aliniați orizontal și marcați cu un pix găurile în care va fi montată placa de conectare (Figura 13 / A, B).

Găuriți punctele marcate cu burghiu de Ø6mm și introduceți două dibluri de plastic Ø6mm în găurile perforate (Figura 13 / A, B).

Fixați placa de conexiune a tubului de conectare pe perete cu șuruburi 3.9x22 (Figura 13 / A, B).

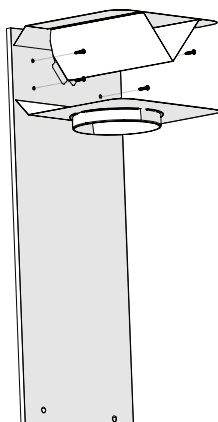
Pentru asamblarea deflectorului de aer, instalați punctele C, D, E, F cu burghiu de Ø6mm și dibluri din plastic Ø6mm (Figura 13).



(Fig. 14)

- 1- Deflector de aer
- 2- Tub de evacuare din plastic

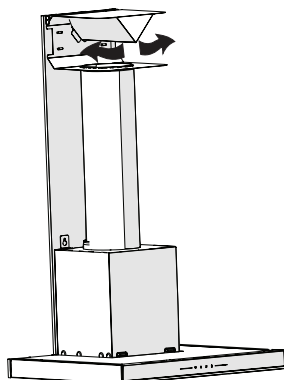
Atașați adaptorul de tub din plastic, care este inclus în pachet, în direcția deflectorului de aer. Blocați adaptorul tubului rotindu-l în direcția săgeții (Figura 14).



(Figura 15)

Asamblați grupul deflectorului de aer cu șuruburi 3,9 x 22 din punctele C, D, E, F pe care le-ați pregătit deja (Figura 13).

Asamblați corpul hoteli (pagina 12 / Figura 7).



**(Fig. 16)**

1- Țeavă de evacuare a aerului din aluminiu  
Asigurați asamblarea conductei de evacuare  
a aerului (Figura 16).



Din moment ce răsucirea și în-  
doirea țevii de aluminiu va duce  
la reducerea puterii de aspirație  
a aerului, evitați să îndoiiți sau să  
răsuciți țeava.

Instalați plăcile de tub ale hotei (pagina 13 /  
Figura 12)



## ELIMINAREA DEFECȚIUNILOR

Eliminarea defecțiilor	Cauză principală	Ajutor
Aparatul nu funcționează.	Verificați siguranțele	Siguranța poate fi arsă, inspectați-o și restabiliți-o.
Aparatul nu funcționează.	Verificați conexiunea electrică.	Tensiunea rețelei trebuie să fie cuprinsă între 220 și 240 V.
Aparatul nu funcționează.	Verificați conexiunea electrică.	Verificați dacă alte aparate din bucătărie funcționează.
Lampa de iluminat nu funcționează.	Verificați conexiunea electrică.	Tensiunea rețelei trebuie să fie cuprinsă între 220 și 240 V.
Lampa de iluminat nu funcționează.	Inspectați comutatorul lămpii.	Întreprătorul lămpii trebuie să fie în poziția „on” (pornit).
Lampa de iluminat nu funcționează.	Inspectați becurile.	Lămpile aparatului se aprind.
Admisia de aer a aparatului este inadecvată.	Inspectați filtrul din aluminiu.	În condiții normale de funcționare, filtrul de ulei din aluminiu trebuie curățat cel puțin o dată pe lună.
Admisia de aer a aparatului este inadecvată.	Verificați tubul de evacuare a aerului.	Tubul de evacuare a aerului trebuie să fie în poziția „on” (pornit).
Admisia de aer a aparatului este inadecvată.	Inspectați filtrul de carbon.	Filtrele aparatelor cu filtre de carbon se înlocuiesc o dată la 3 luni, în condiții normale.



# CERTIFICAT DE GARANȚIE

Tensiune de alimentare/frecvență: 220-240V-, 50-60Hz

Importator: ARCTIC S.A., Găești, Dâmbovița, str. 13 Decembrie nr. 210, email: office@arctic.ro

**TIP:**  Cuptor incorporabil  Plită incorporabilă  Hotă  Sertar de încălzire  
 Aragaz  Cuptor cu microunde

Model / Serie:.....

## VÂNZĂTOR

Nr. factură:.....Data: .....

Vânzător (firma, localitatea): .....

## CUMPĂRĂTOR

Nume .....Localitatea .....

Str. ....Nr. ....Bloc .....Sc. ....Et. ....Ap. ....

Județ ..... Telefon .....E-mail .....

S-a efectuat proba de funcționare a aparatului, s-a prezentat modul de folosire, s-au predat instrucțiunile de utilizare și toate accesoriile. Am primit aparatul în perfectă stare de funcționare.

Stimați clienți,

La cumpărare vă recomandăm să solicitați efectuarea probei de funcționare și să verificați existența instrucțiunilor de utilizare și a accesoriilor.

Pentru a putea beneficia de toate avantajele produselor și serviciilor noastre vă rugăm:

- să citiți cu atenție și să respectați recomandările prezentate în "Instrucțiunile de utilizare".

- să păstrați cu grijă acest certificat pentru a-l putea prezenta (împreună cu documentul fiscal de achiziție), personalului SERVICE, la orice sesizare efectuată în perioada de garanție.

Vă mulțumim că ați optat pentru cumpărarea unui produs Grundig!

**Durata medie de utilizare a produsului este de 10 ani!**

**Perioada de garanție legală de conformitate este de 2 ani de la intrarea produsului în posesia consumatorului.**

Art. 22, alin. 3-6, din L449/2003, modificata de OG 9/2016:

- (3) Timpul de nefuncționare din cauza lipsei de conformitate apărute în cadrul termenului de garanție prelungește termenul de garanție legală de conformitate și cel al garanției comerciale și curge, după caz, din momentul la care a fost adusă la cunoștința vânzătorului lipsa de conformitate a produsului sau din momentul prezentării produsului la vânzător/unitatea service până la aducerea produsului în stare de utilizare normală și, respectiv, al notificării în scris în vederea ridicării produsului sau predării efective a produsului către consumator.

- (4) Produsele de folosință îndelungată care înlocuiesc produsele defecte în cadrul termenului de garanție vor beneficia de un nou termen de garanție care curge de la data preschimbării produsului.

- (5) Produsele de folosință îndelungată defectate în termenul de garanție legală de conformitate, atunci când nu pot fi reparate sau când durata cumulată de nefuncționare din cauza deficiențelor apărute în termenul de garanție legală de conformitate depășește 10% din durata acestui termen, la cererea consumatorului, vor fi înlocuite de vânzător sau acesta va restitui consumatorului contravaloarea produsului respectiv.

- (6) Termenul de garanție curge de la data intrării bunului respectiv în posesia consumatorului, inclusiv pentru bunurile noi de folosință îndelungată, obținute prin tragere la tombola, câștigate la concursuri și similare sau acordate cu reducere de preț ori gratuit de către operatorii economici.

Garanția oferită de producător nu exclude garanția de viciu ascuns, conform OG 21/1992 (R2) privind protecția consumatorului și Codul Civil.

**GRUNDIG**

It starts at home

Service-ul acestui produs este asigurat de ARCTIC S.A. cu sediul în Găești, Dâmbovița, str. 13 Decembrie nr. 210 • \*9020 • www.grundig.ro • www.arctic.ro • e-mail: service@arctic.ro  
Program Call Center: Luni - Vineri 08:30 - 20:00; Sâmbătă 08:30 - 17:00

## UNITĂȚILE SERVICE ALE ARCTIC S.A. EXECUTĂ REPARAȚII ÎN TERMENUL DE GARANȚIE ȘI ÎN AFARA ACESTUIA

Nr. crt.	Data Reclamației	Data primirii în reparație	Reparat			Reparația curentă și/sau componenta înlocuită	Prelungirea termenului de garanție	Efectuarea verificării	
			Programat	Data ridicării aparatului	Cauza întârzierii			SERVICE	CLIENT

### **CONDIȚII DE GARANȚIE LEGALĂ DE CONFORMITATE ȘI GARANȚIE COMERCIALĂ:**

Pentru orice defecțiune aparută în perioada de garanție sau post garanție, apălați la magazinul de unde a fost achiziționat produsul sau direct la Call Center Arctic.

Prelungirea termenului de garanție se va înscrie în certificatul de garanție de către unitatea SERVICE care a efectuat reparația.

Garanția acoperă repararea și/sau înlocuirea pieselor constatate ca defecte (necauzate de consumator) de către tehnicienii Service.

Termenul de realizare a operațiilor de reparare, înlocuire sau întreținere este de 15 zile calendaristice de la data la care cumpărătorul a sesizat defecțiunea la magazinul de unde a achiziționat produsul sau direct la Call Center Arctic.

### **Reclamațiile referitoare la aspectele prevăzute mai jos, se rezolvă numai contra cost:**

- a) nefuncționarea lămpilor de iluminare;
- b) accesoriile care nu au defecte ascunse de material constatate de tehnicienii Service;
- c) piesele și accesoriile care prezintă lovituri, zgârieturi, spărturi sau deformări.

### **PRODUSUL NU BENEFICIAZĂ DE GARANȚIE LEGALĂ DE CONFORMITATE ȘI DE GARANȚIE COMERCIALĂ ÎN URMĂTOARELE CAZURI:**

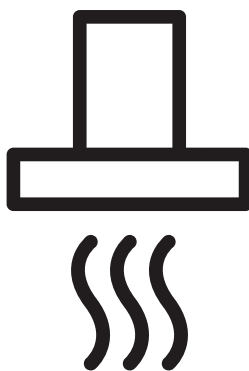
1. Nu au fost respectate instrucțiunile de transport, manipulare, instalare, utilizare și întreținere prescise.
2. Subansamblurile și accesoriile casabile care se deteriorează în timpul transportului vor fi înlocuite de vânzător (în cazul în care asigură transportul).
3. Garanția nu se acordă subsansamblelor și accesoriilor casabile ale produselor care suferă deteriorări din vina consumatorului.
4. Tensiunea de alimentare are valori care nu se încadrează în limitele prevăzute de standarde (SR EN 50160).
5. Instalația electrică a utilizatorului prezintă improvizații sau neconformități.
6. Produsul a fost folosit în alte scopuri decât cel pentru care a fost proiectat.
7. Produsul a suportat intervenții (reparații, modificări) din partea unor persoane neautorizate de producător.

**Drepturile consumatorului sunt cele prevăzute în Legea 449/2003 (republicată) și OG 21/1992 (republicată).**

# GRUNDIG

## Бытовая кухонная вытяжка

Инструкция по эксплуатации



GDKP5460BC

RU



01M-8899923600-0321-13

# Пожалуйста, сначала внимательно прочитайте данное руководство!


Уважаемый покупатель,


Благодарим Вас за то, что выбрали продукт GRUNDIG. Мы хотели бы, чтобы вы достигли оптимальной эффективности от этого высококачественного продукта, который был изготовлен с использованием новейших технологий. Перед использованием убедитесь, что вы полностью прочитали и поняли это руководство и дополнительную документацию, и сохраните их для справки. Приложите это руководство к устройству, если передадите его кому-то другому. Соблюдайте все приведенные здесь предупреждения и информацию и следуйте инструкциям.


Имейте в виду, что настоящее руководство по эксплуатации может применяться к нескольким моделям устройства. В руководстве ясно указаны все различия между разными моделями.


## Символы и их значение

Эти символы используются в этом руководстве:

 Важная информация и рекомендации по использованию прибора.

 **ВНИМАНИЕ:** Предупреждения о травмах или повреждении имущества.

 Предупреждение о поражении электрическим током,

 Опасность возгорания.



Это изделие было изготовлено на современном заводе с соблюдением экологических требований без ущерба для окружающей среды.

Соответствует требованиям положений Директивы ЕС об отходах электрического и электронного оборудования (WEEE).



Отсутствуют компоненты с ПВХ.

# ВАЖНЫЕ ИНСТРУКЦИИ ПО БЕЗОПАСНОСТИ И ОКРУЖАЮЩЕЙ СРЕДЫ

## Общая безопасность

Важные инструкции по безопасности внимательно прочтите и сохраните для использования в будущем. Этот раздел содержит инструкции по технике безопасности, которые помогут защититься от риска пожара, поражения электрическим током, вредного воздействия в результате утечки микроволновой энергии, травм или повреждения имущества. В случае неисполнения данных инструкций гарантия аннулируется.

- Продукция Grundig соответствует действующим стандартам безопасности. Поэтому, во избежание опасности, в случае повреждения прибора или кабеля питания необходим их ремонт/замена дилером, сервисным центром, специалистом или аналогичной авторизованной сервисной службой. Некачественный или неквалифицированный ремонт может повлечь риски и представлять опасность для потребителя.
- Прибор предназначен для использования в домашних условиях и для схожих целей, например:
  - Поварским персоналом в ма-

газинах, офисах и других рабочих средах;

- В фермерских домах;
- Постояльцами в гостиницах и других жилых средах;
- В заведениях типа «ночлег и завтрак».
- Используйте прибор строго по назначению, как описано в данном руководстве.
- Производитель не несет ответственности за ущерб, возникший в результате неправильной установки или неправильного использования продукта.
- Данное устройство может использоваться детьми в возрасте от 8 лет, а также лицами с ограниченными физическими, сенсорными или умственными возможностями; или, при отсутствии опыта и знаний, под контролем/с прохождением инструктажа по безопасному использованию при условии понимания существующей опасности.
- Не позволяйте детям играть с прибором. Очистка и обслуживание не должны производиться детьми без присмотра.
- Минимальное расстояние

## ВАЖНЫЕ ИНСТРУКЦИИ ПО БЕЗОПАСНОСТИ И ОКРУЖАЮЩЕЙ СРЕДЫ

между опорной поверхностью для кухонной посуды на варочной панели и нижней частью вытяжки – не менее 65 см.

- Если в инструкциях по установке газовой плиты указано большее расстояние, это необходимо учитывать.
- Убедитесь, что ваш сетевой блок питания соответствует требованиям, приведенным на табличке прибора.
- Никогда не используйте оборудование, если поврежден кабель питания или сам прибор.
- Не допускайте повреждения кабеля питания: не сжимайте, не сгибайте и не допускайте его трения об острые предметы. Держите кабель питания вдали от горячих поверхностей и открытого пламени.
- Используйте прибор только с заземленной розеткой.

**ПРЕДУПРЕЖДЕНИЕ:** Не подключайте прибор к электросети до полного завершения монтажа.

- Размещайте прибор таким образом, чтобы всегда обеспечивался доступ к вилке.
- Не прикасайтесь к лампам, если они работают в течение дли-

тельного времени. Они будут горячими и могут обжечь руки.

- Соблюдайте правила, установленные компетентными органами в отношении выпуска отработанного воздуха (это предупреждение не применяется при использовании без духовода).
- Включайте прибор после размещения на плите кастрюли, сковороды и т.д. В противном случае под воздействием высоких температур некоторые части вытяжки могут деформироваться.
- Выключите варочную панель перед тем, как снять с нее кастрюлю, сковороду и т.д.
- Не оставляйте на плите горячее масло. Кастрюли с горячим маслом могут стать источником самовозгорания.
- Обратите внимание на свои шторы и чехлы, поскольку масло может загореться во время приготовления пищи (например, картофеля фри).
- Следует заменять жировулавливающий фильтр не реже одного раза в месяц. Угольный фильтр необходимо заменять не реже

## ВАЖНЫЕ ИНСТРУКЦИИ ПО БЕЗОПАСНОСТИ И ОКРУЖАЮЩЕЙ СРЕДЫ

чем раз в 3 месяца.

- Прибор следует очищать в соответствии с руководством пользователя. Если очистка не проводится в соответствии с руководством пользователя, то может возникнуть опасность пожара.
- Не используйте вместо имеющегося фильтра нетермостойкие фильтрующие материалы.
- Используйте только оригинальные детали или детали, рекомендованные производителем.
- Не используйте устройство без фильтра и не снимайте фильтры во время работы прибора.
- В случае возгорания обесточьте прибор и кухонные устройства.
- В случае возгорания накройте пламя. Никогда не используйте воду для тушения.
- Отключайте прибор от сети перед каждой чисткой и в нерабочее время.
- Отрицательное давление в окружающей среде не должно превышать 4 ПА (4 x 10 бар) – при одновременной работе вытяжки для электроплиты и устройств, работающих на другом типе энергии, отличном от

электричества.

- В среде, где используется прибор, выхлопные газы устройств, работающих на нефтяном топливе или газе (например, обогреватель помещения), должны быть полностью изолированы, либо устройство должно быть герметичного типа.
- При подключении дымохода используйте трубы диаметром 120 или 150 мм. Соединение труб должно быть как можно короче и иметь как можно меньше колен.

**Опасность удушья!** Храните все упаковочные материалы в недоступном для детей месте.

**ВНИМАНИЕ:** Внешние детали могут нагреваться при использовании прибора вместе с кухонными принадлежностями.

- Выпускное отверстие вытяжки не должно соединяться с воздушными каналами, в которые втягивается и другой дым.
- Вентиляция в помещении может быть недостаточной при одновременном использовании вытяжки для электроплиты и устройств, работающих на газе или других видах топлива (это не относится к устройствам, ко-



## ВАЖНЫЕ ИНСТРУКЦИИ ПО БЕЗОПАСНОСТИ И ОКРУЖАЮЩЕЙ СРЕДЫ

торые только отводят воздух обратно в помещение).

- Предметы, размещенные на приборе, могут упасть. Не размещайте никакие предметы на поверхности прибора.
- Не готовьте фламбированные блюда под прибором.

**ПРЕДУПРЕЖДЕНИЕ:** Перед установкой вытяжки снимите защитные пленки.

- Никогда не оставляйте высокое открытое пламя под работающей вытяжкой.
- Во время использования фритюрницы необходимо постоянно контролировать процесс: перегретое масло может вспыхнуть.

**Соответствие требованиям Директивы WEEE (директива ЕС об отходах электрического и электронного оборудования) и утилизация отработавшего прибора:**

Данный продукт соответствует Директиве ЕС WEEE (2012/19/EU). Этот продукт отмечен знаком классификации отработанного электрического и электронного оборудования (WEEE).



Такой знак означает, что после завершения эксплуатации устройство запрещается выбрасывать вместе с прочими бытовыми отходами. Использованное устройство необходимо вернуть в официальный пункт приема утилизируемых электрических и электронных устройств. Чтобы найти такие системы приема утиля, обратитесь в местные уполномоченные органы или к розничным продавцам, у которых был приобретен продукт. Каждое домашнее хозяйство играет важную роль в восстановлении и переработке старого оборудования. Надлежащая утилизация отработавшего устройства позволяет предотвратить возможные негативные последствия для окружающей среды и здоровья человека.

**Соответствие требованиям Директивы RoHS (директива об ограничении использования некоторых вредных веществ в электрическом и электронном оборудовании)**

Приобретенный Вами прибор соответствует требованиям Директивы RoHS EC (2011/65/EU). Не содержит

## ВАЖНЫЕ ИНСТРУКЦИИ ПО БЕЗОПАСНОСТИ И ОКРУЖАЮЩЕЙ СРЕДЕ

вредных и запрещенных материалов, указанных в Директиве.

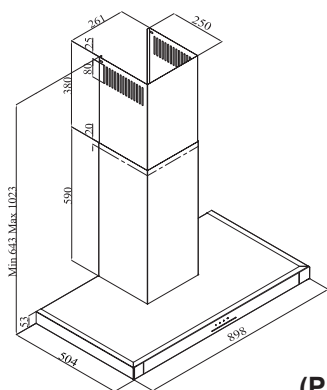
### Информация об упаковке



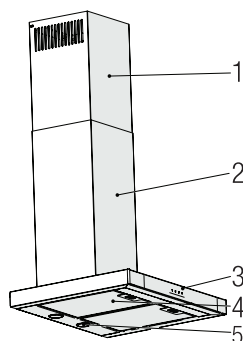
Материалы упаковки устройства произведены из перерабатываемого сырья в соответствии с нашими Национальными нормами по защите окружающей среды. Запрещается выбрасывать упаковочные материалы вместе с бытовыми и другими отходами. Отправьте их в пункты сбора упаковочных материалов, указанные местными органами власти.

# ОБЩИЙ ВИД

## Краткое описание



(Рисунок 1).



1. Внутренний дымоход
2. Внешний дымоход
3. Панель управления
4. Алюминиевый жировой фильтр
5. Освещение

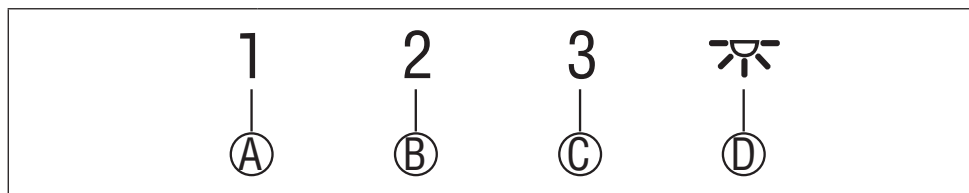
(Рисунок 2)

## Технические данные

<b>Модель</b>	GDKP5460BC
<b>Напряжение питания</b>	220-240 В / 50 Гц
<b>Мощность лампы</b>	2 x 3 Вт
<b>Мощность двигателя</b>	210 W
<b>Поток (м<sup>3</sup> / ч) - 3. Уровень</b>	645 м <sup>3</sup> /ч
<b>Класс изоляции мотора</b>	Класс F
<b>Класс изоляции</b>	Класс 1

# ЭКСПЛУАТАЦИЯ УСТРОЙСТА

## Управление Устройством



КНОПКА	НАЗНАЧЕНИЕ
(A) : 1. Кнопка ступени	Включает прибор на 1-й скорости. При повторном нажатии этой кнопки для выключения прибора уровень скорости экрана отключается.
(B) : 2. Кнопка ступени	Включает прибор на 2-й скорости. При повторном нажатии этой кнопки для выключения прибора уровень скорости экрана отключается.
(C) : Кнопка 3-й ступени	Включает прибор на 3-й скорости. При повторном нажатии этой кнопки для выключения прибора уровень скорости экрана отключается.
(D) : Вкл / Выкл освещения	Вы можете осветить зону приготовления, нажав эту кнопку. При повторном нажатии данной кнопки лампа выключается.

### Энергоэффективное использование

- При использовании вытяжки для экономии электроэнергии устанавливайте скорость в соответствии с интенсивностью образования пара или запаха.
- В обычных условиях используйте низкие скорости (1-2), а при интенсивном образовании пара и запаха – высокую (3).
- Лампы на вытяжке предназначены для освещения места готовки.

Их использование для освещения помещения приведет к чрезмерному потреблению электроэнергии и будет недостаточным.

### Эксплуатация вытяжки

- В вытяжке имеется мотор, работающий на разных скоростях.

- Для лучшей производительности мы рекомендуем использовать низкие скорости в нормальных условиях и высокие скорости в случае сильного запаха и интенсивного пара.
- Вы можете запустить прибор, нажав кнопку желаемой скорости. (A, B, C)
- Вы можете осветить зону приготовления, нажав на лампу (D).

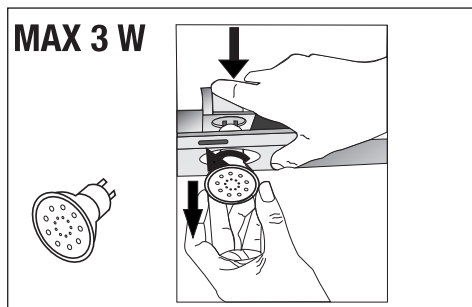
### Автоматическая остановка

В вашем приборе есть функция автоматической остановки, которая позволяет ему проветривать еще немного и удалять нежелательные запахи и пар из окружающей среды, а также автоматически выключаться после завершения приготовления. Чтобы включить функцию автоматической остановки, нажмите кнопку любой ступени скорости (A, B, C) на панели управления и удерживайте более 2 секунд, после этого активируется функция 15-минут-

# ЭКСПЛУАТАЦИЯ УСТРОЙСТВА

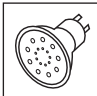
ного таймера. Когда функция автоматической остановки активна, нажатие той же кнопки скорости отключает функцию автоматической остановки, и двигатель устройства останавливается. Эта функция отключается при переключении между различными степенями скорости. Если вы хотите, чтобы прибор останавливался автоматически, вам необходимо снова включить функцию автоматической остановки.

## Замена лампы

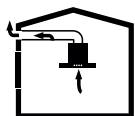


(Рисунок 3)

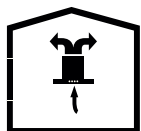
Выполните электрические подключения устройства. В вашем приборе используется точечная светодиодная лампа мощностью 3 Вт. Для замены ламп нажмите на держатель вниз, поверните его против часовой стрелки и вытащите его. Выполните описанную выше операцию в обратном порядке, чтобы установить новые лампы (Рисунок 3).

Лампочка	
Мощность лампы (Вт)	3
Держатель / Гнездо	GZ 10
Напряжение лампы (В)	220 - 240
Размер (мм)	53 x 50
Код ILCOS	DR/F3-220-240-GZ10-50-53

## Работа с подключением к дымоходу



- Пар выводится через дымоход, который крепится к соединительной головке вытяжки.
- Диаметр дымохода должен быть таким же, как у соединительного кольца. В горизонтальном положении труба должна иметь небольшой наклон вверх (около 10°), чтобы воздух мог легко выходить из комнаты.



## Работа без подключения к дымоходу

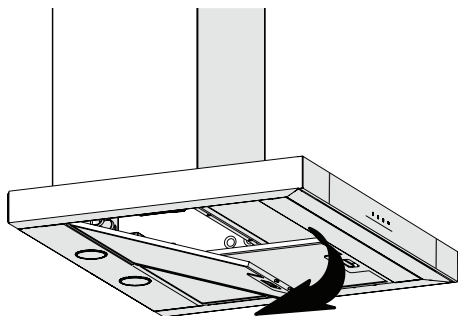
- Воздух фильтруется через угольный фильтр и рециркулирует в помещении. Угольный фильтр применяется, когда в доме нельзя использовать дымоход.
- При использовании без дымохода снимите заслонки внутри переходника дымохода.
- Снимите алюминиевый жировой фильтр. Чтобы установить угольный фильтр, прикрепите фильтр к выступам, центрируя его на пластиковом элементе с обеих сторон корпуса вентилятора. Затяните его, повернув вправо или влево.
- Заменить алюминиевый жировой фильтр.



Отключите устройство от сети или выключите соединения перед чисткой и техническим обслуживанием.

## Очистка алюминиевого жирового фильтра

Алюминиевый жировой фильтр используется для удержания частиц масла в воздухе. Алюминиевый жировой фильтр может изменить цвет после многократной очистки. Это нормально, и вам не нужно менять фильтры.



(Рисунок 4)

- Выдвиньте затвор алюминиевого масляного фильтра вперед.
- Затем слегка потяните вниз и вытащите (Рисунок 4). Иначе вы можете искривить фильтр. Вымойте и прополощите алюминиевые жировые фильтры жидким моющим средством и замените фильтры в их гнездах, выполнив действия, указанные выше, в обратном порядке. Эти алюминиевые жировые фильтры используются для удержания ча-

стиц масла в воздухе.



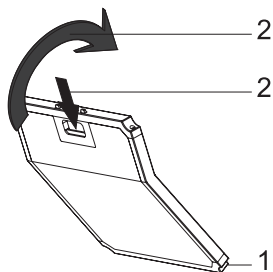
Вы также можете мыть алюминиевый жировой фильтр в посудомоечной машине.



### ВНИМАНИЕ!

В случае нормальной эксплуатации очищайте алюминиевый жировой фильтр один раз в месяц.

## Замена угольных фильтров



(Рис. 5)

Приобретенный прибор подходит для использования с угольными фильтрами.

- Снимите алюминиевый жировой фильтр (Рисунок 4).
- Поместите нижнюю часть угольного фильтра в моторный блок (Рисунок 5).
- Нажмите на язычок угольного фильтра и протолкните его вперед, убедившись, что язычки угольного фильтра зафиксированы и заблокированы. (Рисунок 5).
- Установите алюминиевый жировой фильтр.

**ВНИМАНИЕ!**

Запрещено мыть угольные фильтры.

**ВНИМАНИЕ!**

Заменяйте угольные фильтры каждые 3 месяца.

**ВНИМАНИЕ!**

Вы можете приобрести угольный фильтр в авторизованных сервисах.



# УСТАНОВКА ИЗДЕЛИЯ



## ПРЕДУПРЕЖДЕНИЕ!

Перед началом установки прочтите информацию по безопасности в Руководстве пользователя.



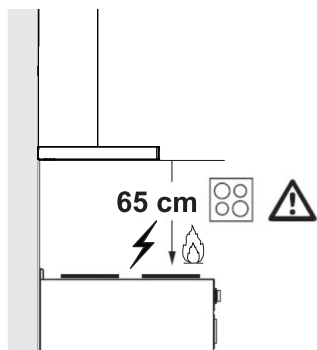
## ПРЕДУПРЕЖДЕНИЕ!

Несоблюдение инструкций по установке с помощью винтов и стабилизаторов может привести к поражению электрическим током.

По вопросам установки вытяжки обращайтесь в ближайший авторизованный сервисный центр.

Заказчик несет ответственность за подготовку места и электрического монтажа вытяжки.

## Положение изделия



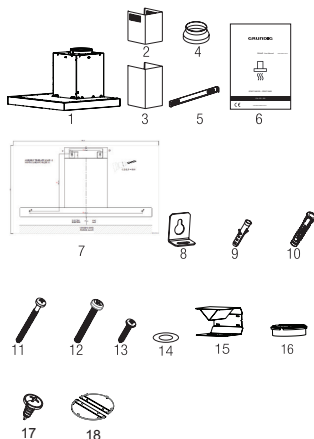
(Рисунке 6)

- Перед сборкой необходимо учитывать расстояние между плитой и вытяжкой. Это расстояние

должно составлять 65 см (Рисунок 6).

- Расстояние необходимо измерять от поверхности решетки для газовых плит,
- от поверхности стекла для электрических плит.

## Принадлежности для установки



1. Прибор
2. Внутренний дымоход
3. Внешний дымоход
4. Пластиковый переходник дымохода  $\varnothing 150/120$  мм
5. Соединительная пластина вытяжной трубы
6. Руководство по эксплуатации
7. Схема сборки
8. 2 x Подвесные пластины
9. 6 x Пластиковый дюбель  $\varnothing 6$  мм
10. 4 x Пластиковый дюбель  $\varnothing 10$  мм
11. 4 x 5.5 x 60 Винт для настенного крепления

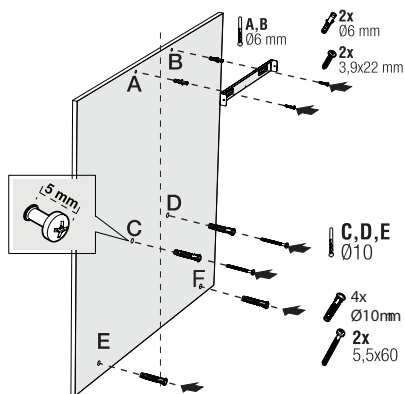
## УСТАНОВКА ИЗДЕЛИЯ

12. 2 x M5 x 35 Соединительный винт подвесной пластины
13. 6 x 3.9 x 22 Винт пластины соединения дымохода
14. 2 x Шайбы M4
15. Воздушный дефлектор
16. Пластиковый адаптер (воздухоотводчик)
17. 2 x 3.5 x 9.5 Винт пластины соединения дымохода
18. Зажим дымохода

Информация, необходимая для выбора места, подходящего для установки вытяжки, представлена ниже.

### Настенное крепление

- Стена должна быть плоской, прямой и иметь достаточную несущую способность.
- Длина отверстий для сверления должна соответствовать длине болтов.
- Винты и дюбели, поставляемые с изделием, подходят для кирпичных стен. При установке на стенах из других строительных материалов (например, гипсокартона, плиты, пористого бетона) следует использовать подходящие крепежные дюбели и гайки.



(Рисунок 7)

### ВНИМАНИЕ!

Перед началом сверления убедитесь, что в непосредственной близости от мест сверления нет электрических кабелей, газовых или водопроводных труб.

Нарисуйте среднюю линию от потолка перпендикулярно нижнему краю вытяжки ( ).

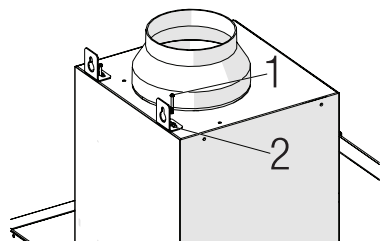
Закрепите схему сборки на стене. Для точек А и В возьмите максимальные размеры вытяжки в качестве справочных и просверлите точки А и В, которые вы отметили сверлом Ø6 мм, и вставьте на пластиковые дюбели Ø6 мм. Прикрепите соединительную пластину дымохода к стене двумя винтами 3,9x22 (Рисунок 8).

Для установки корпуса вытяжки просверлите точки С, D, E, F указанные в установочном шаблоне, сверлом Ø10 мм и вставьте в эти точки пластиковые дюбели Ø10

## УСТАНОВКА ИЗДЕЛИЯ

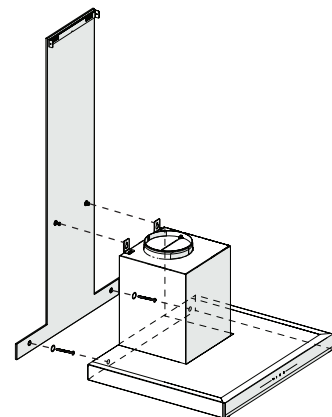
мм (Рисунок 8).

Установите 2 монтажных винта 5,5х60 в точки С и D с зазором 5 мм между головкой винта и стеной (Рисунок 8).



(Рисунок 8)

Установите две подвесные пластины на корпус вытяжки с помощью крепежных винтов М5х35 (Рисунок 8).



(Рисунок 9)

Удерживая изделие за корпус, поместите его на винты для подвешивания на стене и затяните винты (Рисунок 9).

Установите шайбы М4 на подвесные винты 5,5х60. Закрепите вытяжку шурупами 5,5х60 к стене через монтажное отверстие внутри прибора (Рисунок 9).

### Подключение к дымоходу

Если вы собираетесь использовать пластиковый переходник для дымохода Ø 120/150 мм, подсоедините один конец трубы к этому переходнику, если вы не собираетесь его использовать, к прямому выходу на изделии. Подключите другой конец трубы к дымоходу. Убедитесь, что эти два соединения достаточно тугие, чтобы они не выскочили, когда прибор будет работать на полную мощность. Проверить, работают ли заслонки внутри дымохода, когда они затянуты

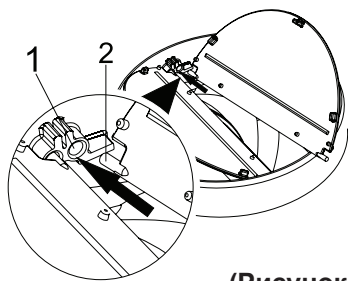
зажимами. Подсоедините соединительный канал дымохода за пределами адаптера (Рисунок 11/а). Если соединительный канал расположен внутри адаптера, всасывание воздуха не должно происходить, так как заслонка дымохода, препятствующая возврату воздуха, будет оставаться закрытой (Рисунок 11/б). Длина трубы, а также количество колен трубы должны быть минимальными.

А : Труба выхода дымохода

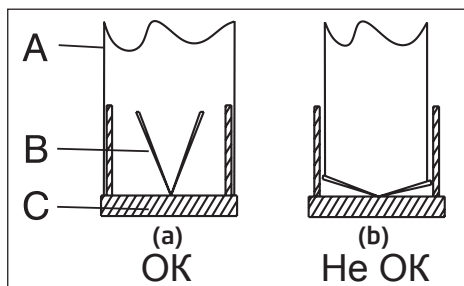
В : Обратные заслонки

С : Пластиковая вытяжная труба

Клапаны закрыты, значит прибор не работает, и предотвращают попадание внутрь возможного запаха извне и пыли.



(Рисунок 10)

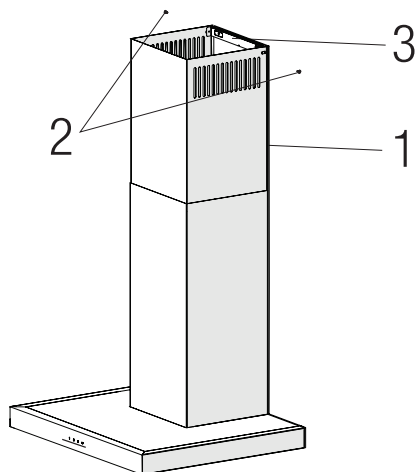


(Рисунок 11)

## Установка вытяжки на дымоход

Подключите вытяжку к электросети перед установкой дымохода. Наденьте пластины дымохода на корпус.

Установите пластину дымохода на крепежную пластину дымохода, которая крепится к стене с ее верхних внешних краев (Рисунок 12).

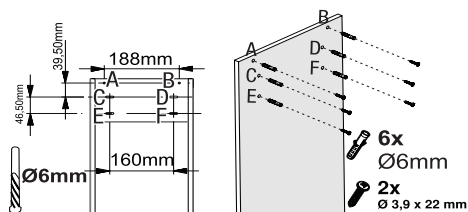


(Рисунок 12)

1. Внутренний дымоход
2. Винт 3,5х9,5
3. Соединительная пластина вытяжной трубы

## Установка воздушной заслонки

При использовании с угольным фильтром в комплекте с прибором поставляется воздухозаборник, предназначенный для повторного выпуска воздуха, очищенного с помощью угольного фильтра, из перфорированного отверстия на дымоходе. Соберите дефлектор, как показано ниже.



(Рис. 13)

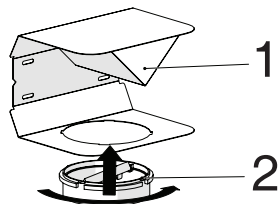
## УСТАНОВКА ИЗДЕЛИЯ

Посередине соединительной пластины дымохода имеется язычок. Поместите среднюю точку данного язычка на линию, которая нарисована перпендикулярно стене. Выровняйте по горизонтали и отметьте отверстия с помощью ручки, в которых соединительная пластина будет установлена (Рисунок 13/А, В).

Просверлите отмеченные точки  $\varnothing 6$  мм сверлом и вставьте два пластиковых штифта в просверленные отверстия (Рисунок 13/А, В).

Прикрепите соединительную пластину дымохода к стене винтами 3,9x22 (Рисунок 13/А, В).

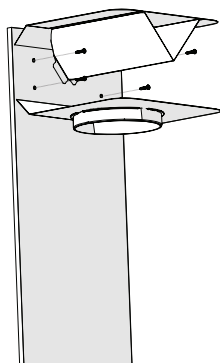
Для сборки воздуховода установите точки С, D, E, F с помощью сверла  $\varnothing 6$  мм и пластиковых дюбелей  $\varnothing 6$  мм (Рисунок 13).



(Рис. 14)

- 1- Воздушный дефлектор
- 2- Пластиковый дымоход

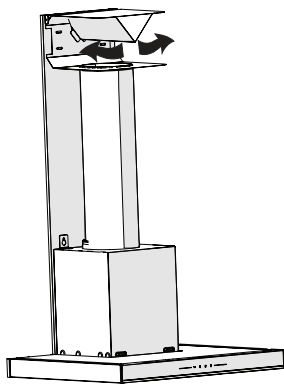
Прикрепите пластмассовый переходник дымохода, входящий в комплект поставки, по направлению к дефлектору. Зафиксируйте переходник дымохода, повернув его в направлении стрелки (Рисунок 14).



(Рисунок 15)

Соберите группу воздуховодов с помощью винтов 3,9 x 22 из точек С, D, E, F, которые вы уже подготовили (Рисунок 13).

Соберите корпус вытяжки (Страница 12 / Рисунок 7).



(Рис. 16)

- 1- Алюминиевая выпускная труба
- Соберите сборку воздуховыпускной трубы (Рисунок 16).

## УСТАНОВКА ИЗДЕЛИЯ

---



Так как в результате перегибания и перекручивания алюминиевой трубы может иметь место снижение мощности всасывания, следует по возможности избегать перекручиваний и перегибаний.

Установите пластины дымохода вытяжки (Страница 13 / Рисунок 12)

## ВЫЯВЛЕНИЕ ПРОБЛЕМ

---

<b>Выявление проблем</b>	<b>Основная причина</b>	<b>Помощь</b>
Устройство не работает.	Проверить предохранители.	Возможно перегорел предохранитель, проверьте и восстановите его.
Устройство не работает.	Проверьте электрическое соединение.	Напряжение в сети должно быть от 220 до 240 В.
Устройство не работает.	Проверьте электрическое соединение.	Убедитесь, что на вашей кухне работает другой прибор.
Лампа освещения не работает.	Проверьте электрическое соединение.	Напряжение в сети должно быть от 220 до 240 В.
Лампа освещения не работает.	Проверьте выключатель лампы.	Выключатель лампы должен находиться в положении "Вкл".
Лампа освещения не работает.	Проверьте лампы.	Лампы прибора должны гореть.
Неправильное поступление воздуха в прибор.	Осмотрите алюминиевый фильтр.	При нормальных условиях эксплуатации алюминиевый жировлаивающий фильтр необходимо очищать не реже одного раза в месяц.
Неправильное поступление воздуха в прибор.	Проверить вытяжную трубу.	Вытяжная труба должна находиться в положении «Вкл».
Неправильное поступление воздуха в прибор.	Проверьте угольный фильтр.	Фильтры приборов с угольными фильтрами при нормальных условиях следует заменять один раз в 3 месяца.

Производитель: “Arçelik A.S.”

Karaağaç Caddesi No: 2-6 Sütlüce, 34445, Turkey

(SilverLine Endüstri ve Ticaret A.Ş. ТУРЦИЯ, Organize Sanayi Bölgesi Merzifon-Turkey)

Импортер на территории РФ: ООО «GRUNDIG»

Юридический адрес: 601021 Россия, Владимирская обл., Киржачский р-н, дер. Федоровское, ул. Сельская, д. 49

Дата производства включена в серийный номер продукта, указанный на этикетке, расположенной на продукте, а именно:

первые две цифры серийного номера обозначают год производства, а последние две – месяц.

Например, «10-100001-05» обозначает, что продукт произведен в мае 2010 года.

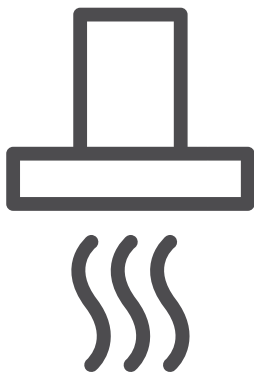


## Условия гарантии

### Уважаемый покупатель!

Благодарим Вас за выбор изделия торговой марки «**GRUNDIG**». Настоящие условия гарантии действительны на территории России, если иные условия не установлены действующим законодательством.

1. Изготовитель устанавливает на изделие гарантийный срок 2(два) года со дня передачи Потребителю. Срок службы бытовой техники «**GRUNDIG**» при соблюдении правил эксплуатации и применения ее в бытовых целях составляет 10(десять) лет.
2. Гарантия распространяется на изделия, используемые только для личных, семейных, домашних нужд, а так же нужд, не связанных с осуществлением предпринимательской деятельности.
3. Сохраняйте гарантийный документ, чек на проданное изделие и квитанцию на услуги по его установке (доставке), доработке водяных и электрических внутриквартирных коммуникаций, а также любые другие документы, относящиеся к гарантийному или техническому обслуживанию изделия.
4. Гарантийный срок на запчасти, замененные в течении гарантийного срока, составляет 6(шесть) месяцев.
5. Любые претензии по качеству изделия рассматриваются только после предварительной проверки качества изделия представителем сервисного центра «**GRUNDIG**».
6. Изготовитель не несет какой-либо ответственности за любой возможный ущерб, нанесенный потребителю, в случае не соблюдения последним требований Изготовителя, указанных в данном гарантийном документе и инструкции по эксплуатации.
7. Прежде чем вызвать специалиста сервисного центра «**GRUNDIG**», внимательно прочитайте инструкцию по эксплуатации изделия. Если не удастся самостоятельно устранить неисправность, обратитесь в нашу сервисную службу на горячую линию по тел. 8-800-200-23-56 (Звонок бесплатный на всей территории России), наши специалисты постараются найти соответствующее решение, чтобы избежать не нужного вызова технического специалиста. При вызове специалиста сервисной службы обязательно укажите номер модели изделия и заводской серийный номер вашего изделия.



Положитесь на компетентность производителя. Это гарантирует квалифицированно выполненный ремонт специалистами по эксплуатации, обслуживанию, ремонту и установке оборудования с использованием оригинальных запчастей.



## Настоящая гарантия не распространяется на следующие случаи:

1. Не соблюдения требований Изготовителя, указанных в гарантийном документе;
2. Не соблюдения Потребителем правил установки, подключения, эксплуатации, хранения или транспортировки изделия, указанных в инструкции по эксплуатации;
3. Ремонта не уполномоченными на то лицами, если такой ремонт повлек за собой отказ изделия;
4. Разборки изделия, изменения конструкции и других вмешательств, непредусмотренных инструкцией по эксплуатации;
5. Неисправностей и повреждений, вызванных экстремальными условиями и действием непреодолимой силы (пожар, стихийные бедствия, и т.д.);
6. Повреждений техники или нарушений ее нормальной работы, вызванных животными или насекомыми;
7. Повреждений техники или нарушений ее нормальной работы, вызванных сверхнормативными отклонениями параметров сети электро-, газо-, или водоснабжения от номинальных значений;
8. Использования изделия для предпринимательской деятельности и/или в непредусмотренных целях;
9. Образования на нагревательных элементах избыточного слоя накипи (при повышенной жесткости воды необходима обработка соответствующими составами);
10. Попадания во внутренние рабочие объемы изделия посторонних предметов, мелких деталей одежды или остатков пищи;
11. Механических Повреждениях изделия Потребителем (царапины, трещины, сколы ит.п.);
12. Потери товарного вида вследствие воздействия на изделие химических веществ;
13. Термических и других подобных повреждениях, которые возникли в процессе эксплуатации;
14. Изделия со снятыми, измененными или нечитаемыми оригинальными серийными номерами. Для проверки наличия гарантии необходим номер модели и серийный номер, в составе которого указана дата производства.

Действует только на территории РФ / Valid for Russian Federation only

# GRUNDIG

It starts at home

## ГАРАНТИЯ 2 ГОДА

Адрес: 109004, Россия, Москва, ул. Станиславского д.21, стр.1

<https://www.grundig.com>

Телефон горячей линии 8-800-200-23-56 (Звонок бесплатный на всей территории России)

### Гарантийный талон серия RUS №

Модель ..... Серийный номер .....

Дата продажи .....

Компания .....

Подпись продавца .....

ПЕЧАТЬ

Дата установки .....

Компания .....

Подпись мастера .....

ПЕЧАТЬ

Покупатель ..... Телефон .....

Фамилия, Имя, Отчество

Изделие получено в полной комплектации,  
проверялось в присутствии покупателя.

Покупатель с условиями гарантии ознакомлен .....

Подпись Покупателя



*Отрывные купоны гарантийного талона являются средством отчетности о выполнении сервисным центром гарантийных работ. Купон изымается из гарантийного талона после удовлетворения Ваших претензий.*

### GRUNDIG

It starts at home

серия RUS №

Дата продажи .....

ПЕЧАТЬ  
МАГАЗИНА

# 3

ГАРАНТИЯ 2 ГОДА

### GRUNDIG

It starts at home

серия RUS №

Дата продажи .....

ПЕЧАТЬ  
МАГАЗИНА

# 2

ГАРАНТИЯ 2 ГОДА

### GRUNDIG

It starts at home

серия RUS №

Дата продажи .....

ПЕЧАТЬ  
МАГАЗИНА

# 1

ГАРАНТИЯ 2 ГОДА

Место для наклейки кода изделия

Beko Grundig Deutschland GmbH  
Thomas-Edison-Platz 3  
63263 Neu-Isenburg

[www.grundig.com](http://www.grundig.com)