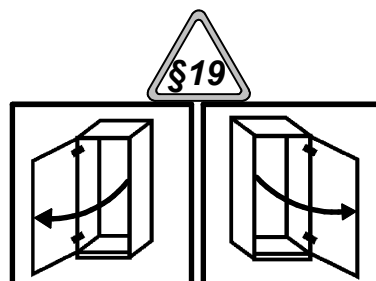
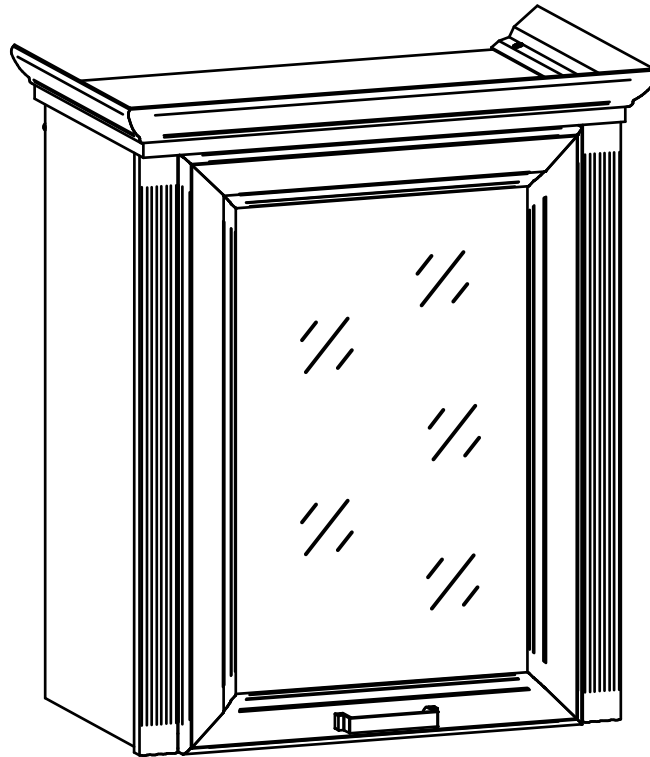
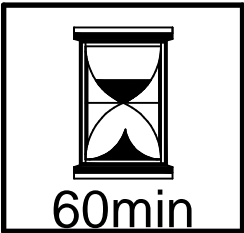
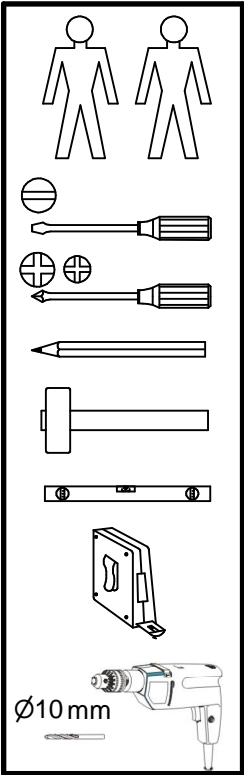
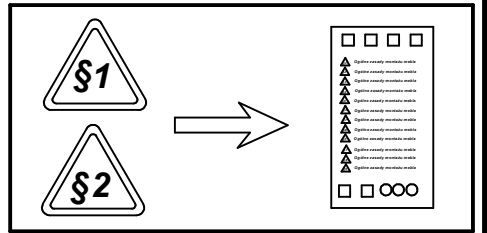
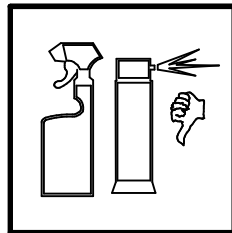
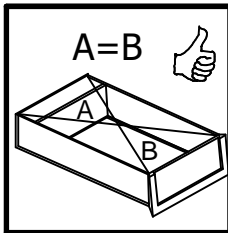
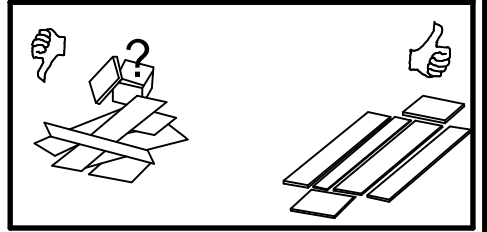
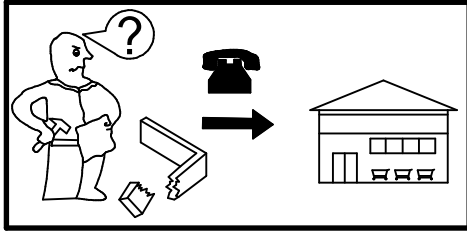
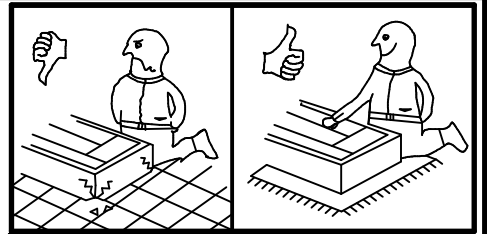
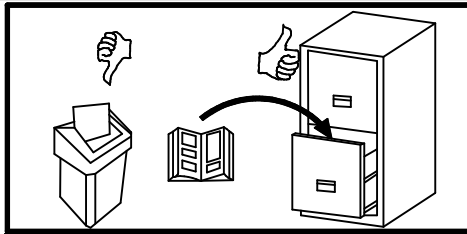


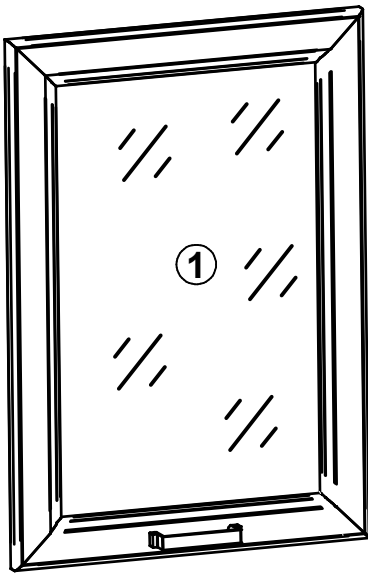
A

S538-SFW1W

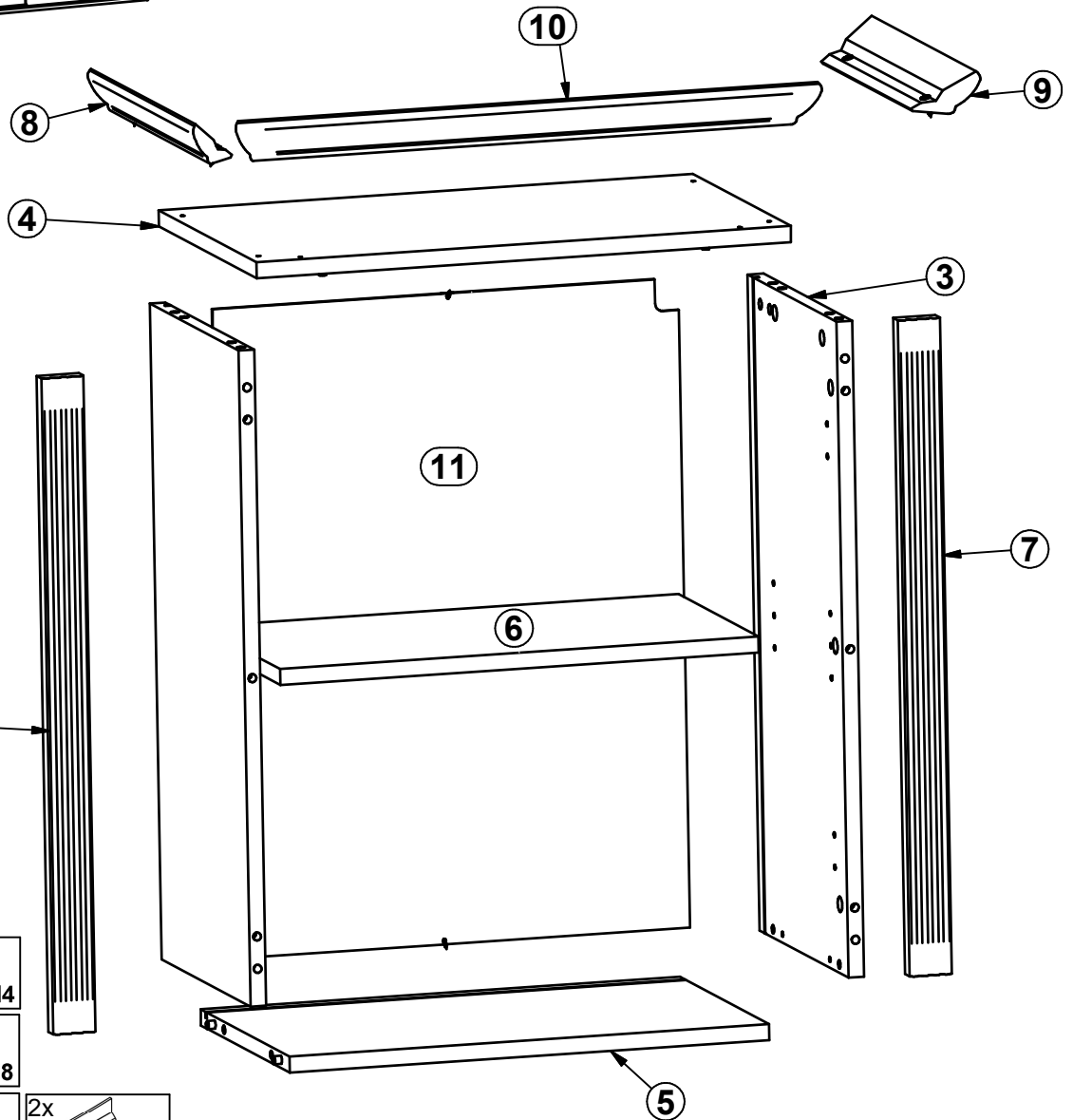
84-881---, 84-882---

1 / 12





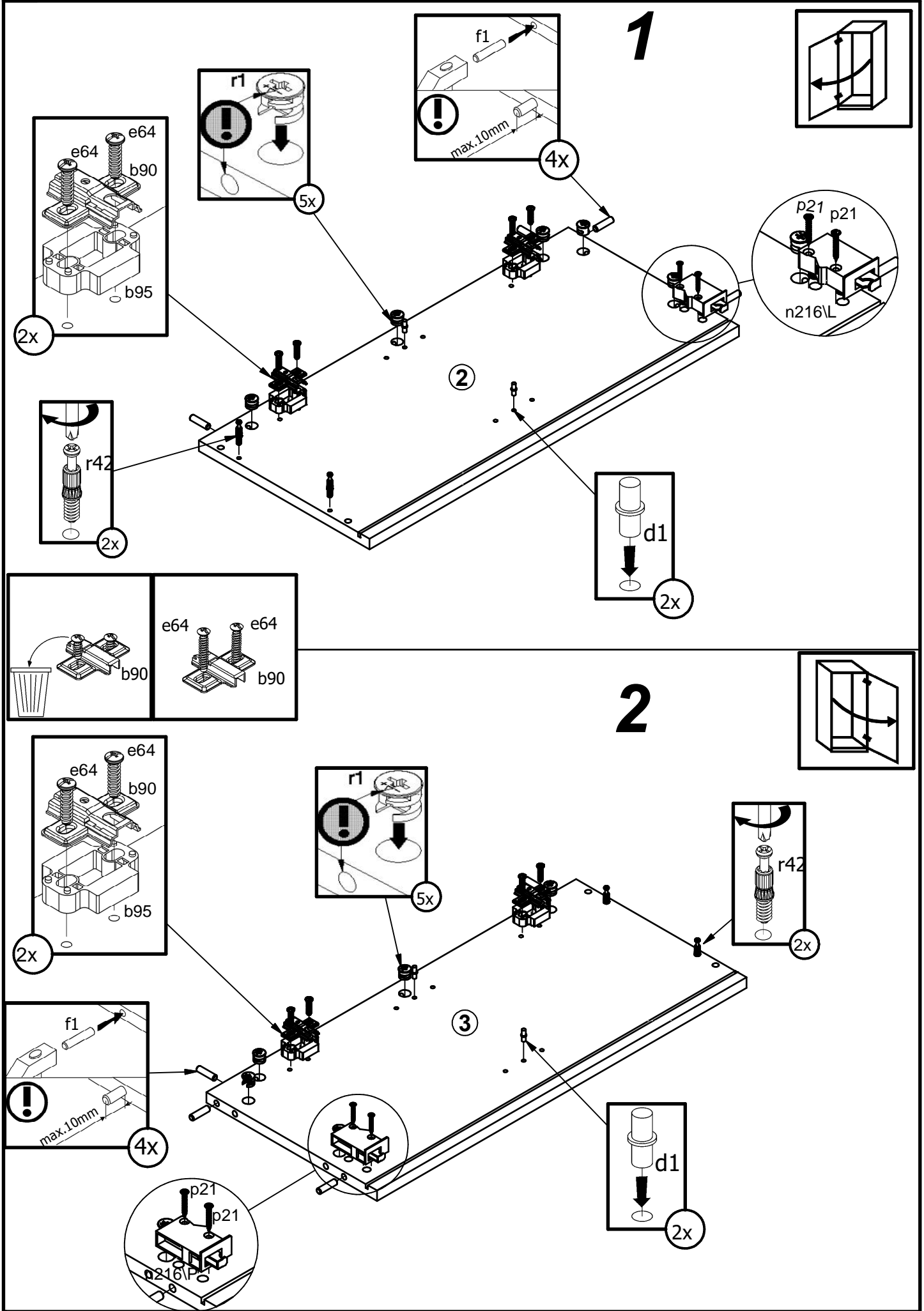
A	B	C1	C2	C3	D
1	S538-0005	647	451	22	1\1
2	S538-1008	650	300	16	1\1
3	S538-1009	650	300	16	1\1
4	S538-2004	545	330	16	1\1
5	S538-3006	489	300	16	1\1
6	S538-3007	488	270	16	1\1
7	S538-5004	650	43	19	1\1
8	S538-5801	356	67	22	1\1
9	S538-5802	356	67	22	1\1
10	S538-5805	598	67	22	1\1
11	S538-9003	644	499	2,5	1\1



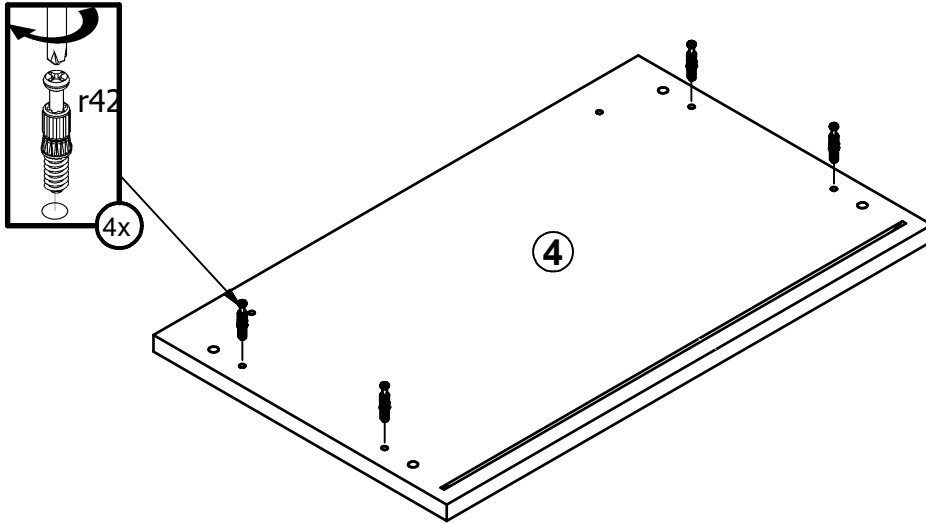
- 14x r42
- 14x r1  
Ø15x12 mm #16
- 4x p51  
Ø3,5x15 mm
- 4x p21  
Ø4x30 mm
- 1x d4  
Ø6,3x15 mm
- 6x p20  
Ø3,5x20 mm
- 14x s68  
Ø20mm
- 1x n216/P
- 1x n216/L
- 2x n217
- 12x f1  
Ø8x30 mm
- 2x j6  
M4x30 mm
- 4x l2
- 1x c453
- 4x d1  
Ø5x17 mm
- 4x e64  
Ø6x26 mm
- 2x a203
- 2x b90
- 2x b95  
h=11 mm

- 4x p17  
Ø5x60 mm
- 4x f35  
Ø10x50 mm

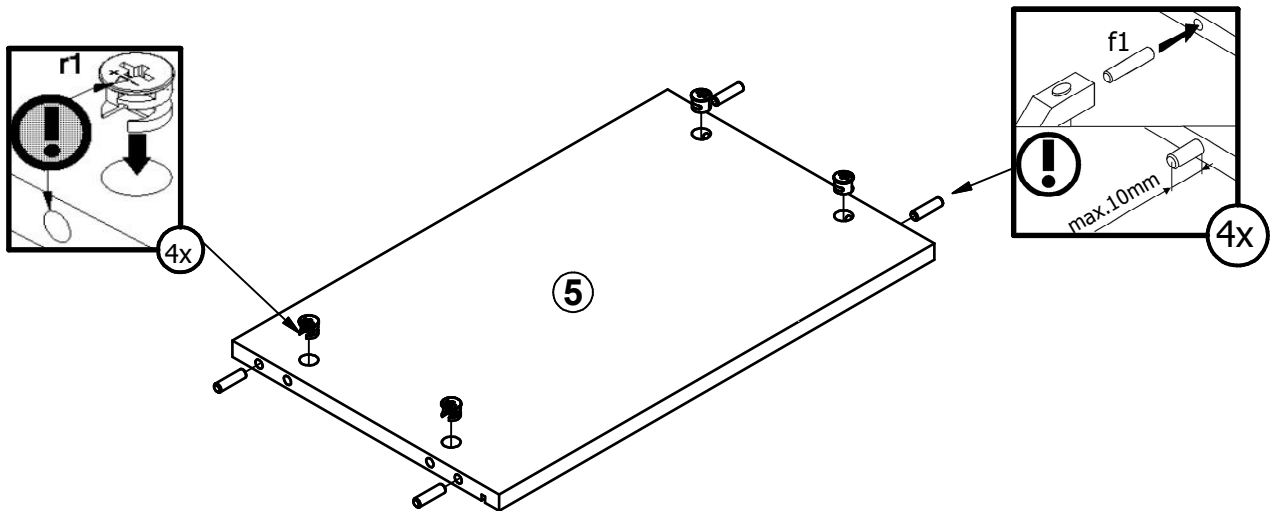




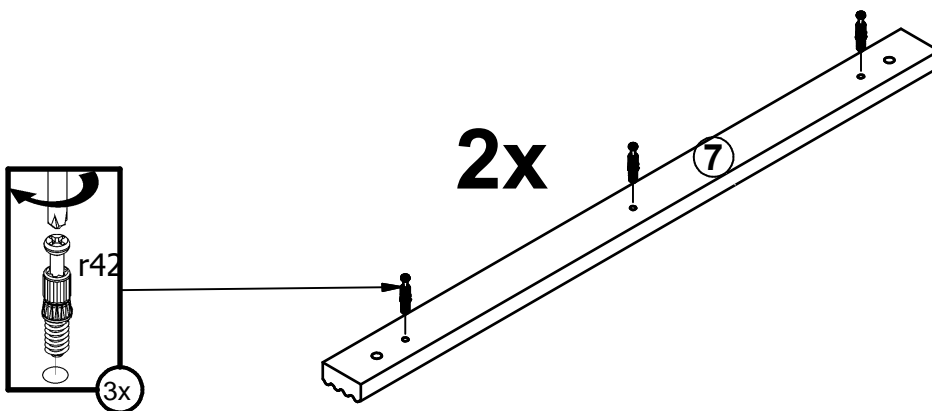
3



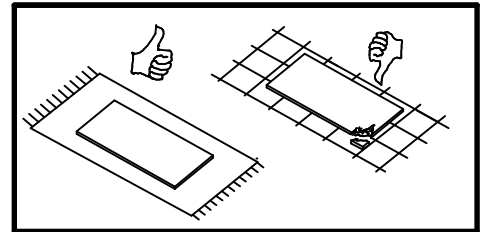
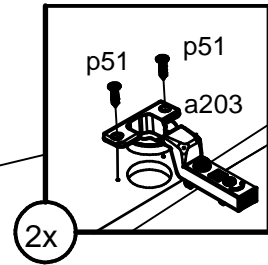
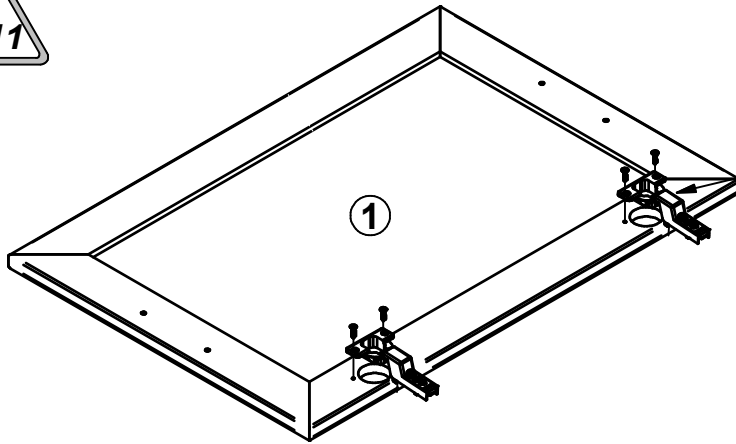
4



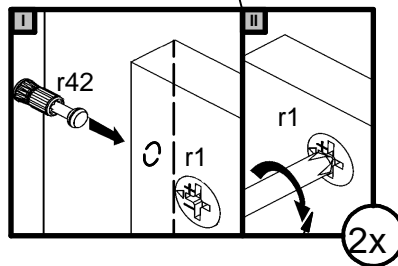
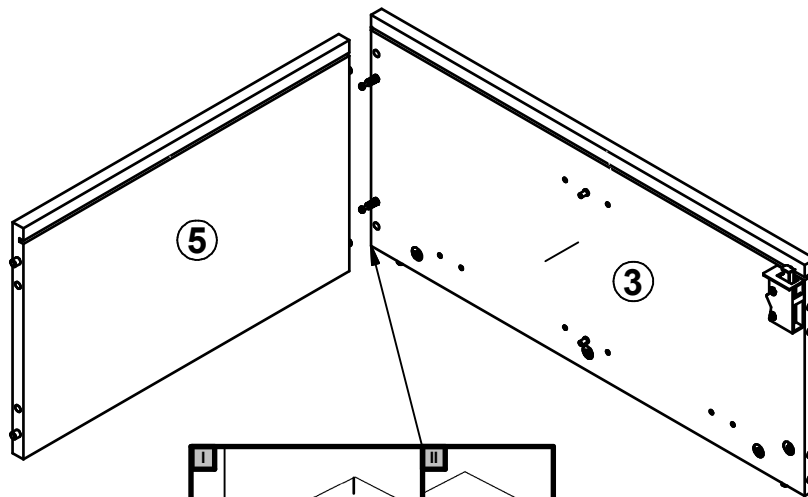
5



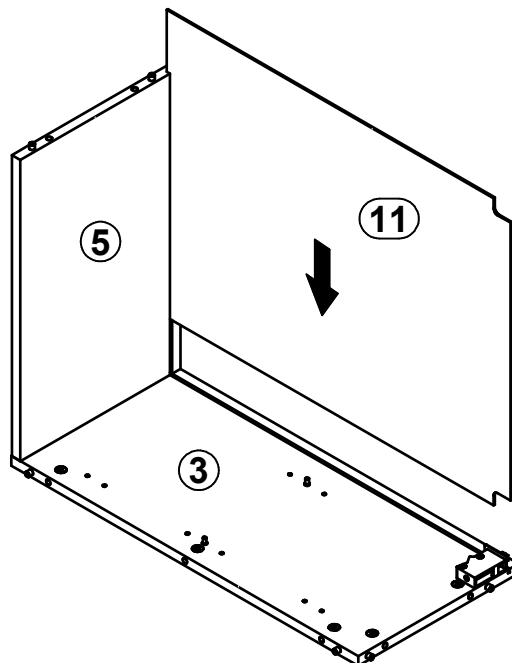
6



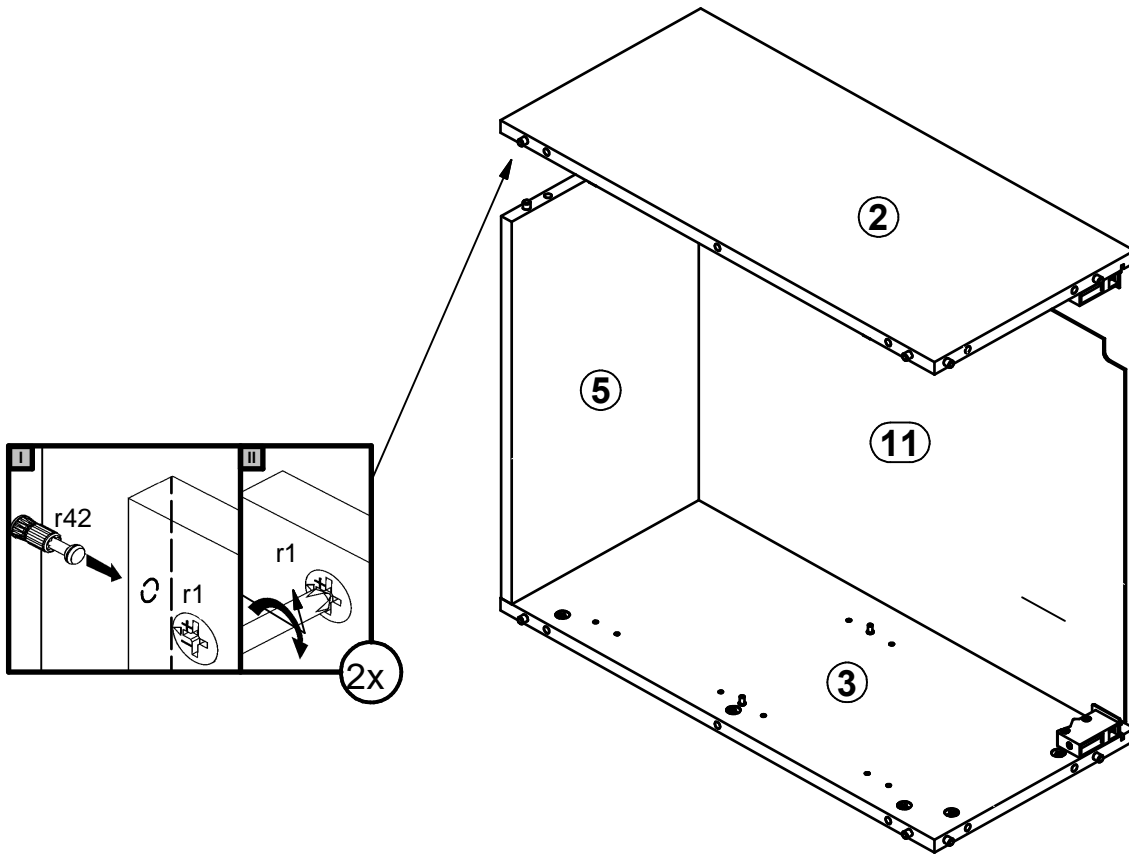
7



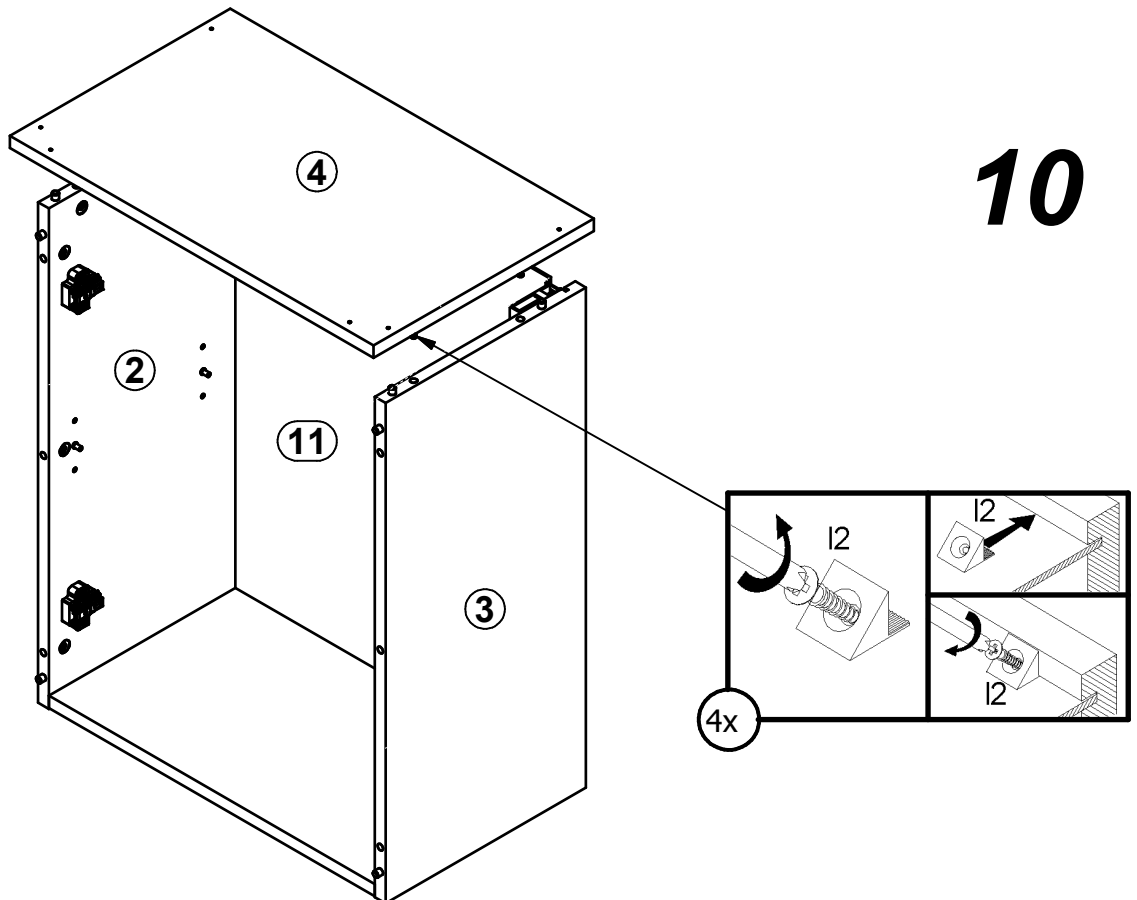
8

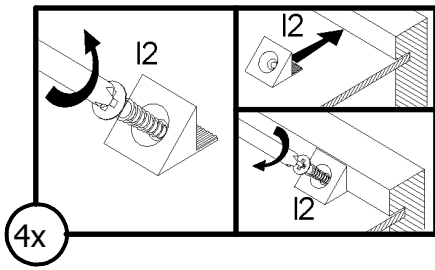


9

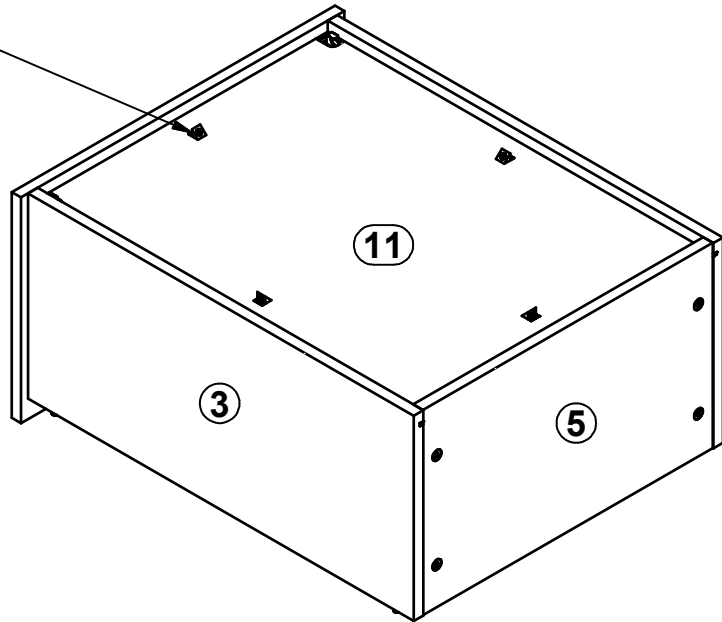


10

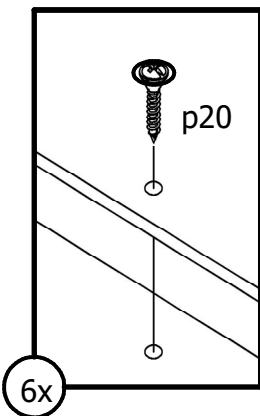
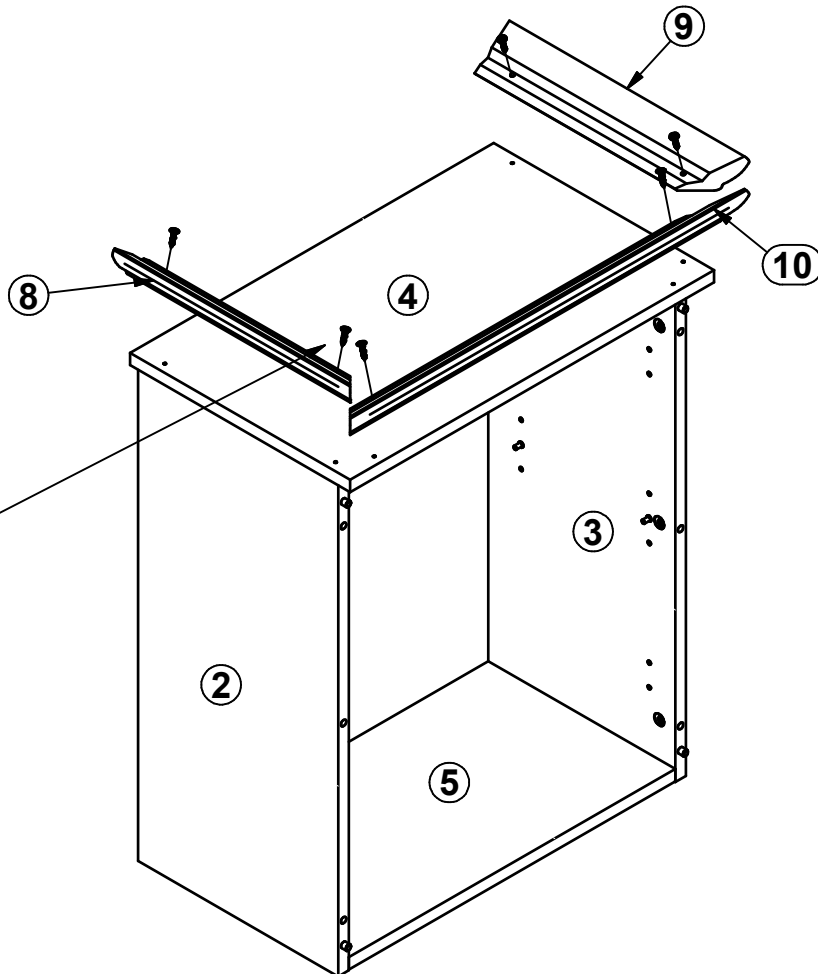




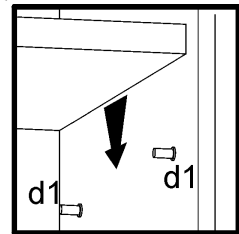
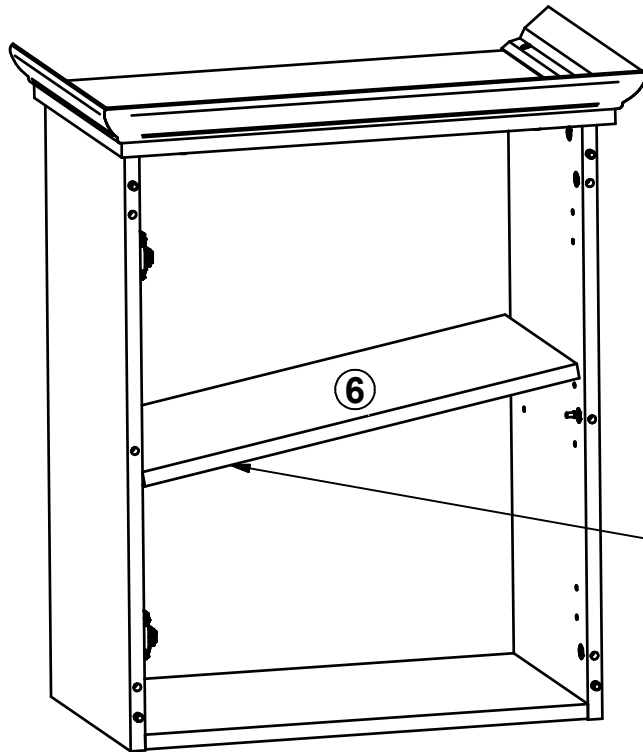
11



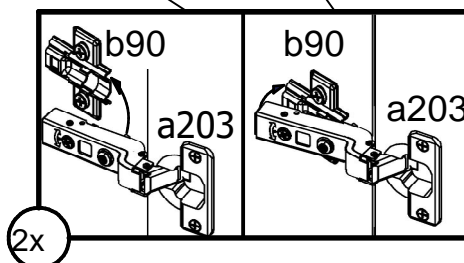
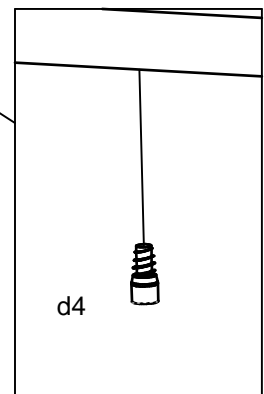
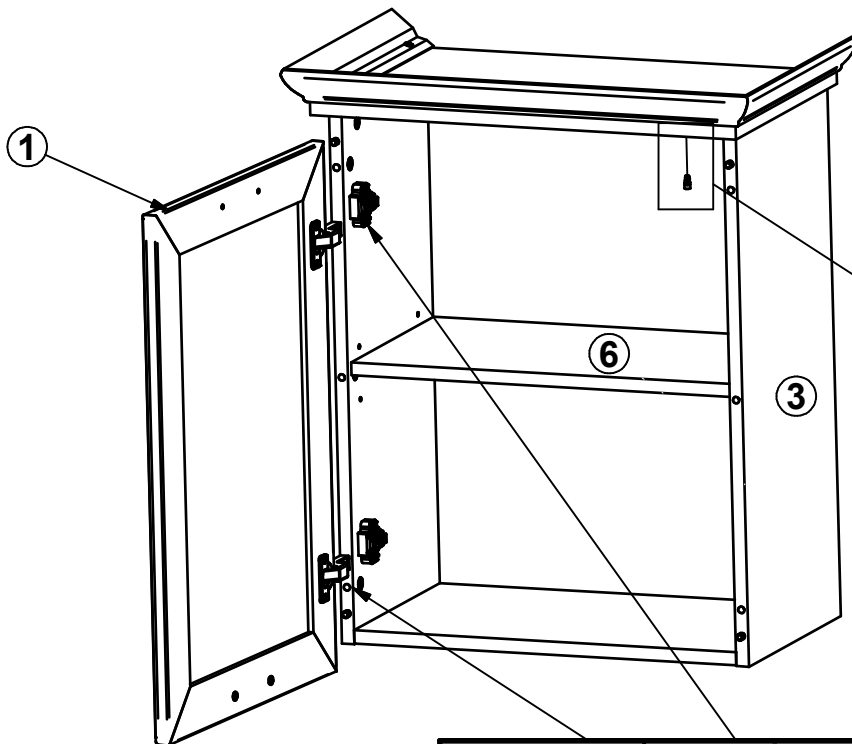
12



# 13

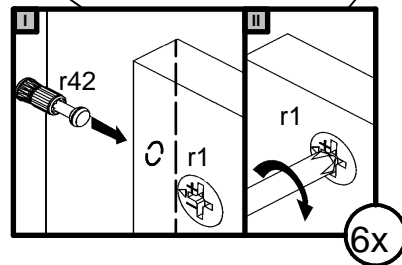
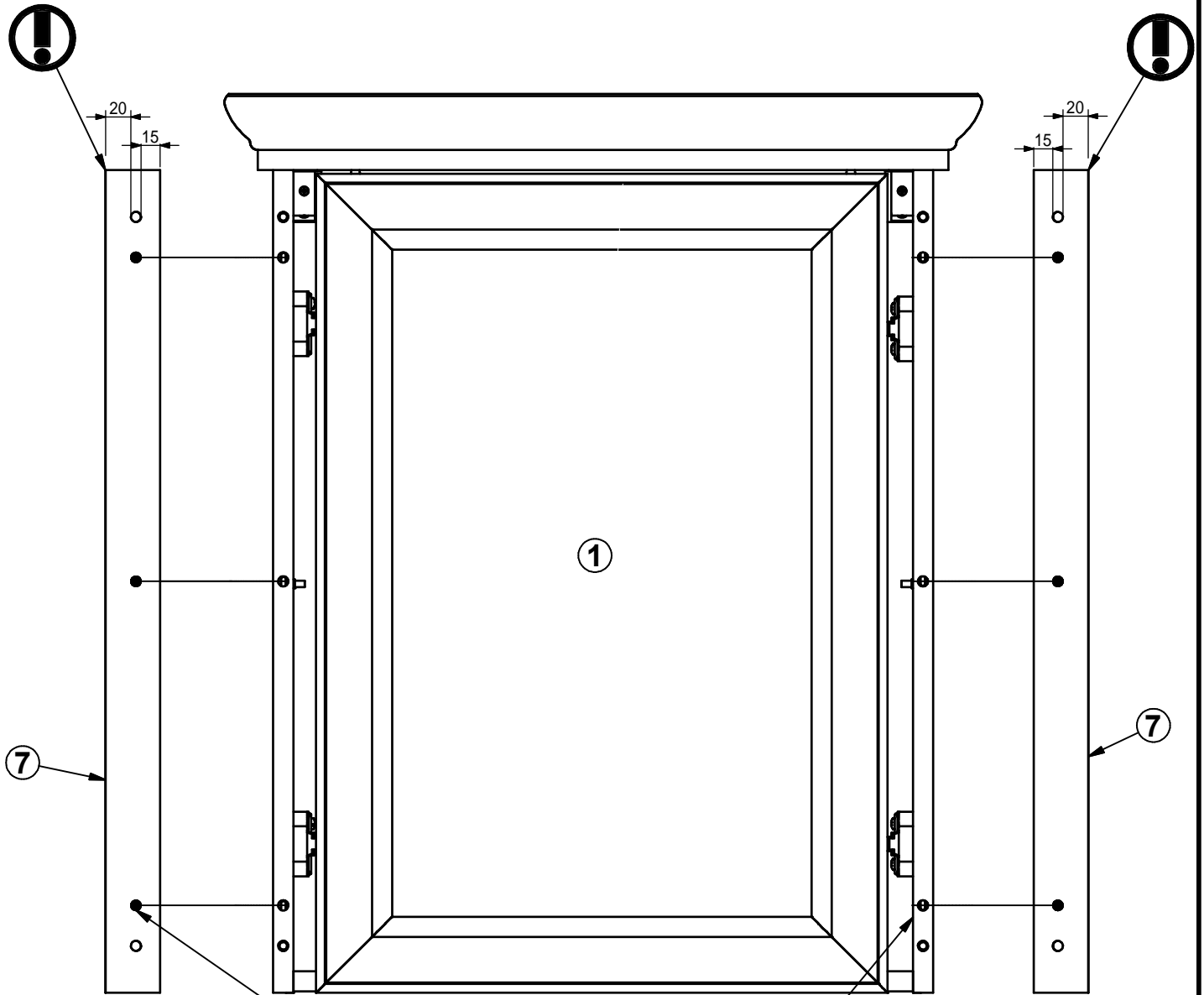


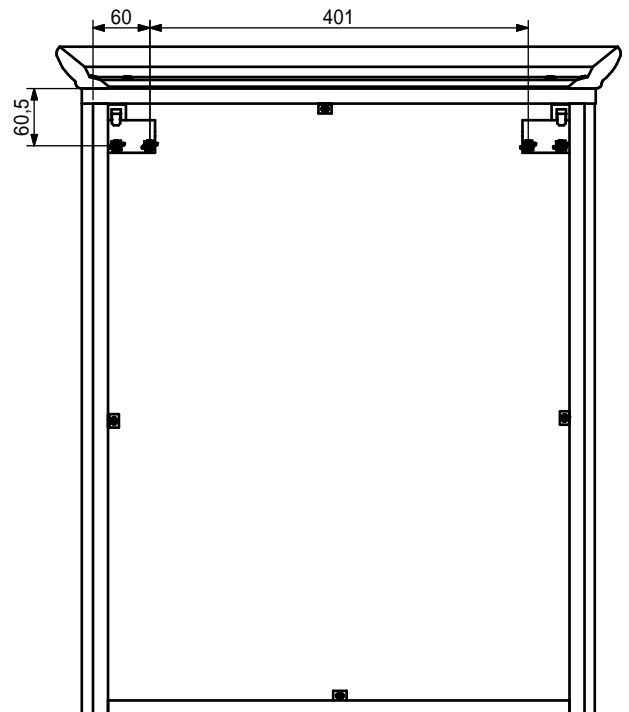
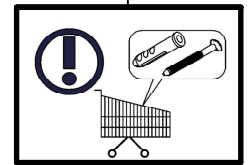
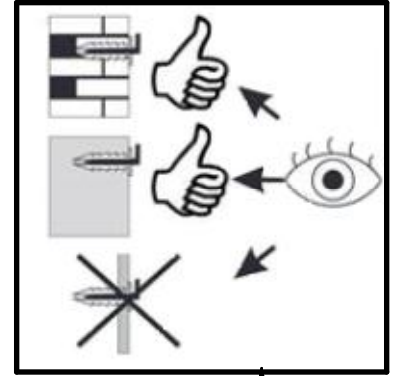
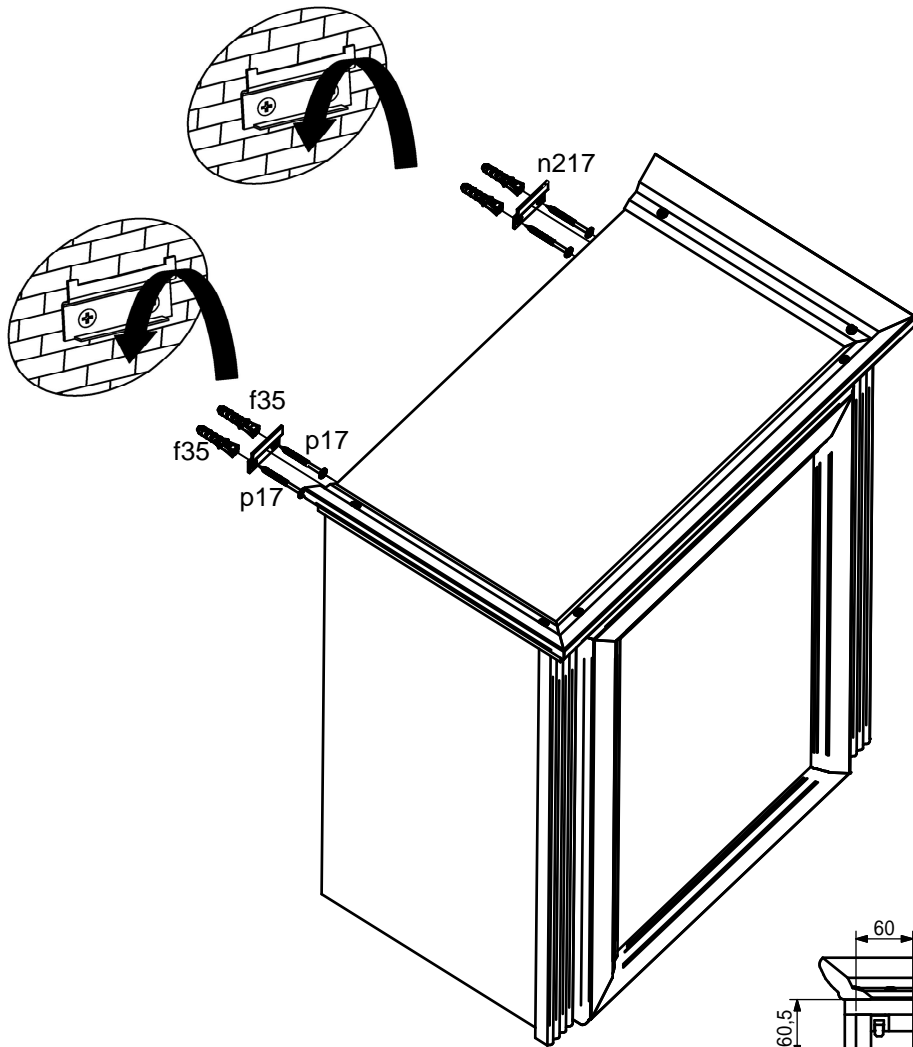
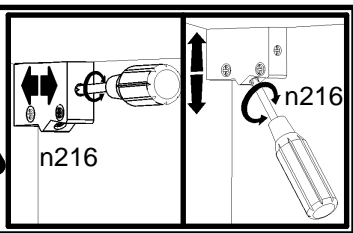
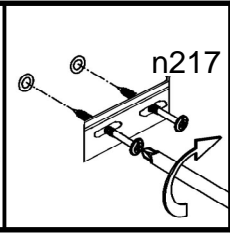
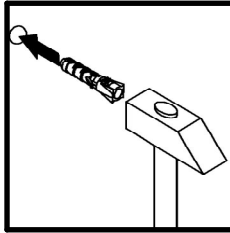
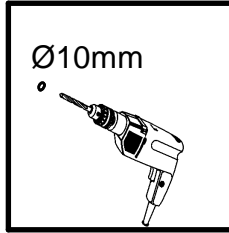
# 14



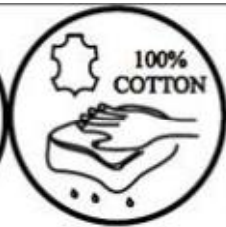
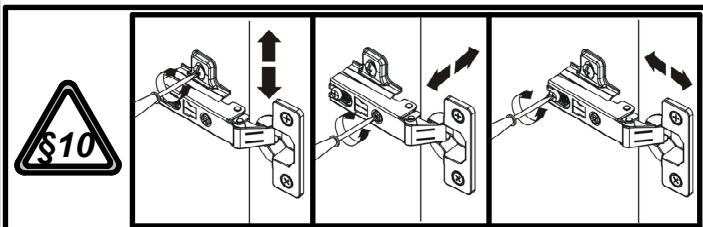
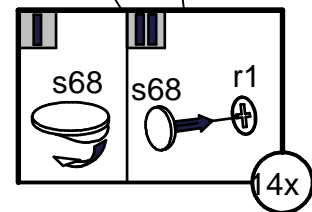
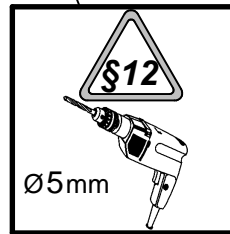
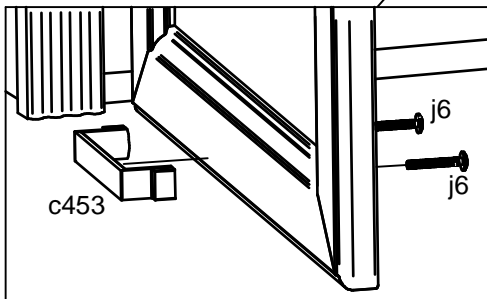
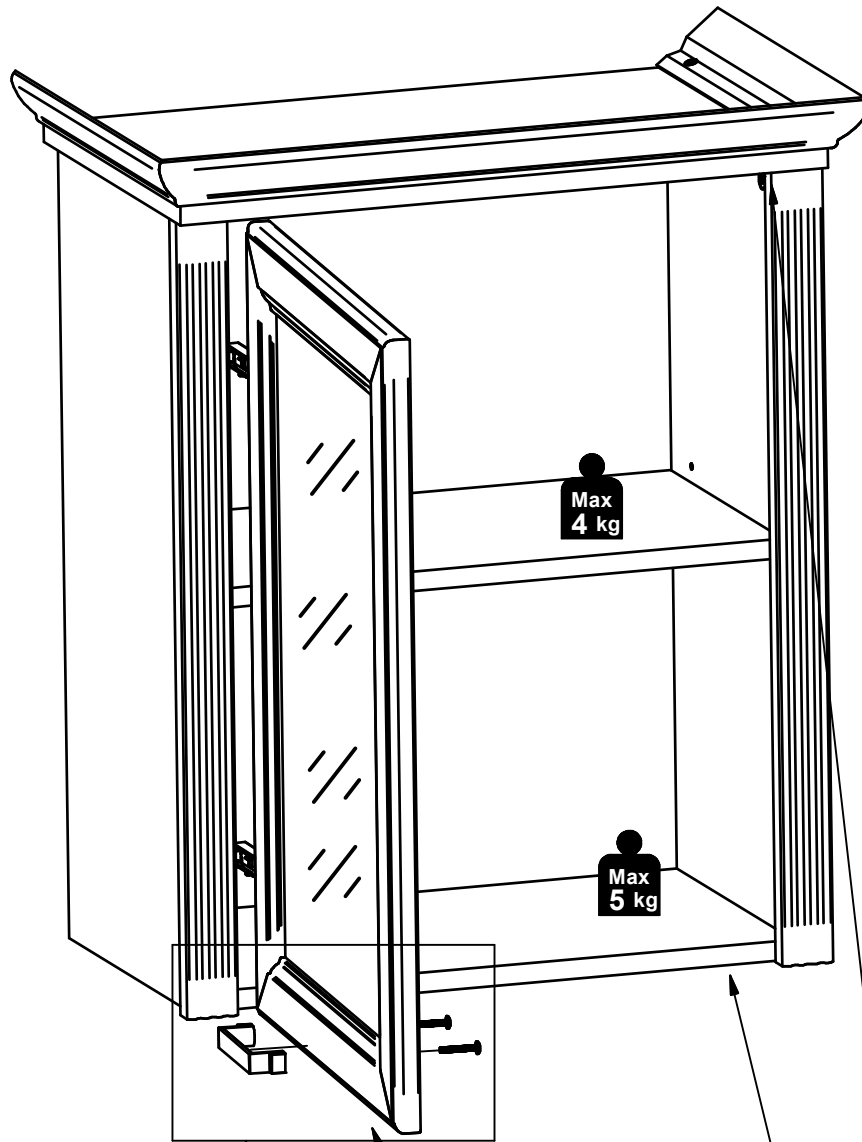


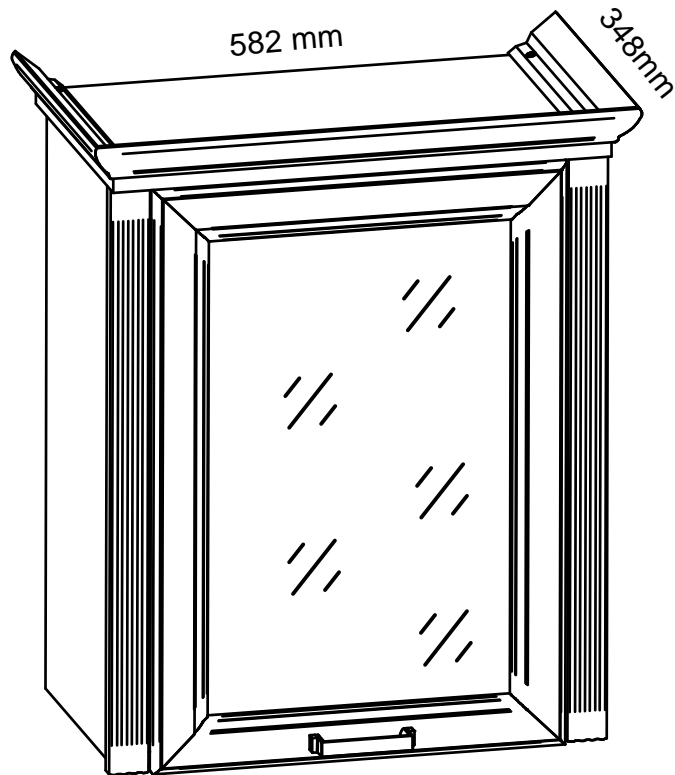
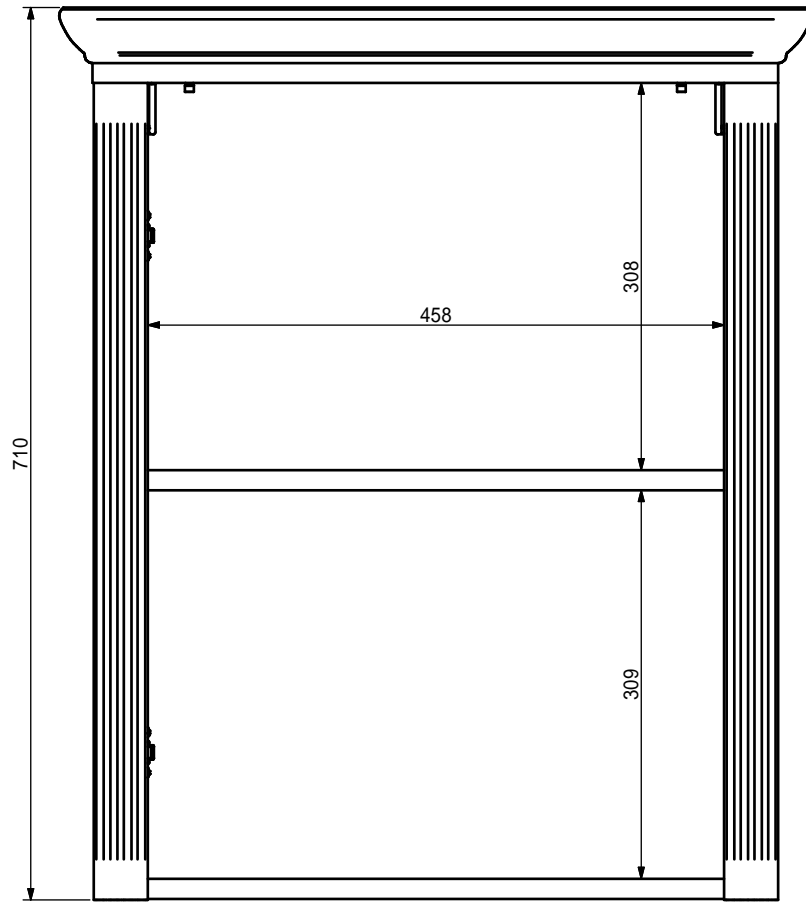
15

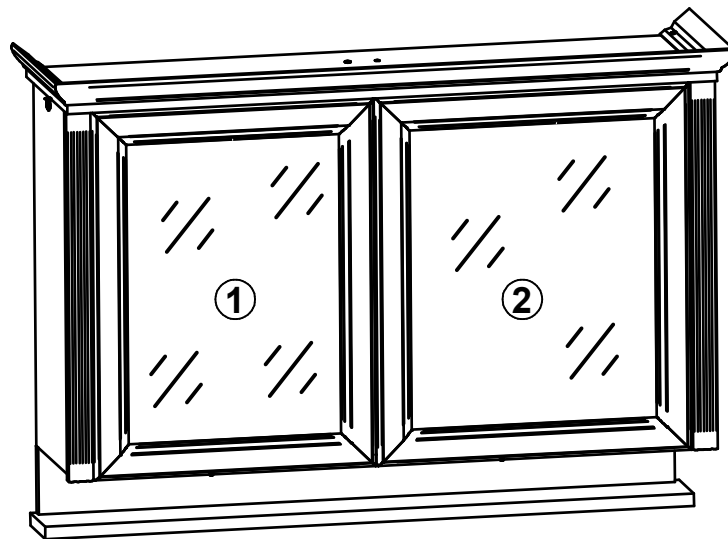
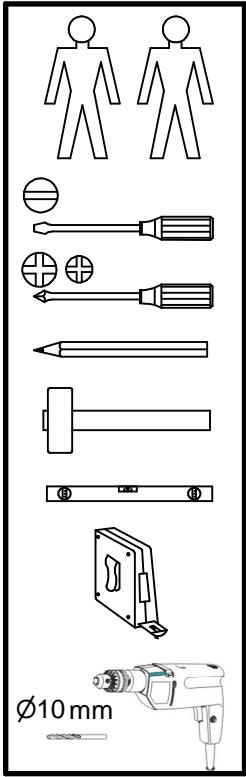
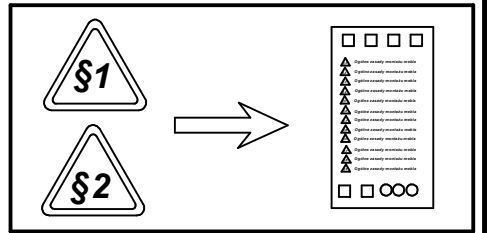
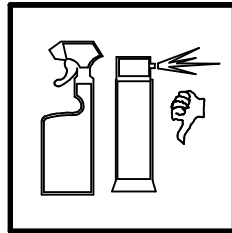
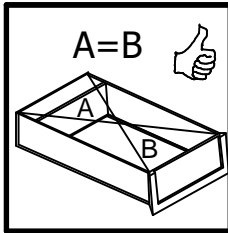
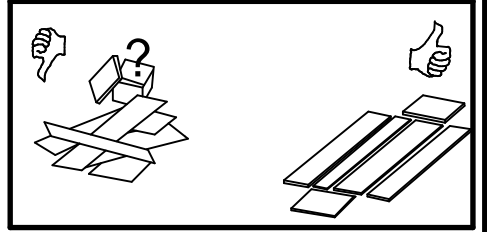
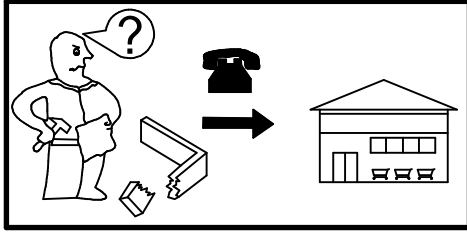
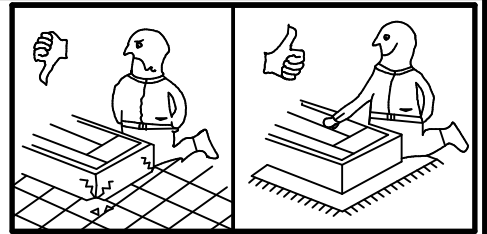
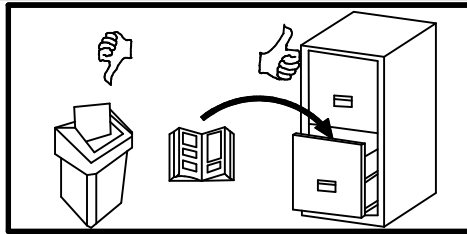




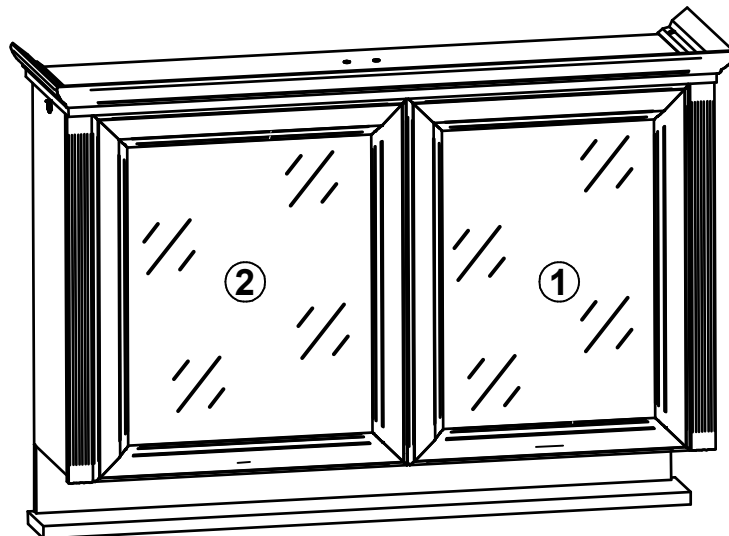
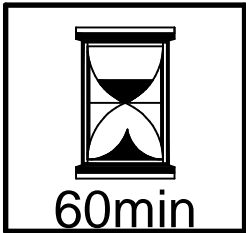
# 17





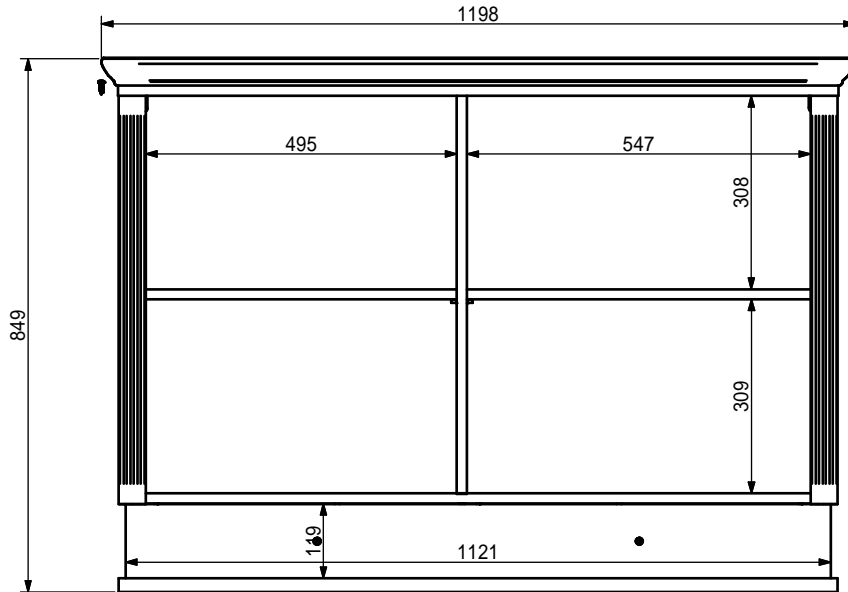


A

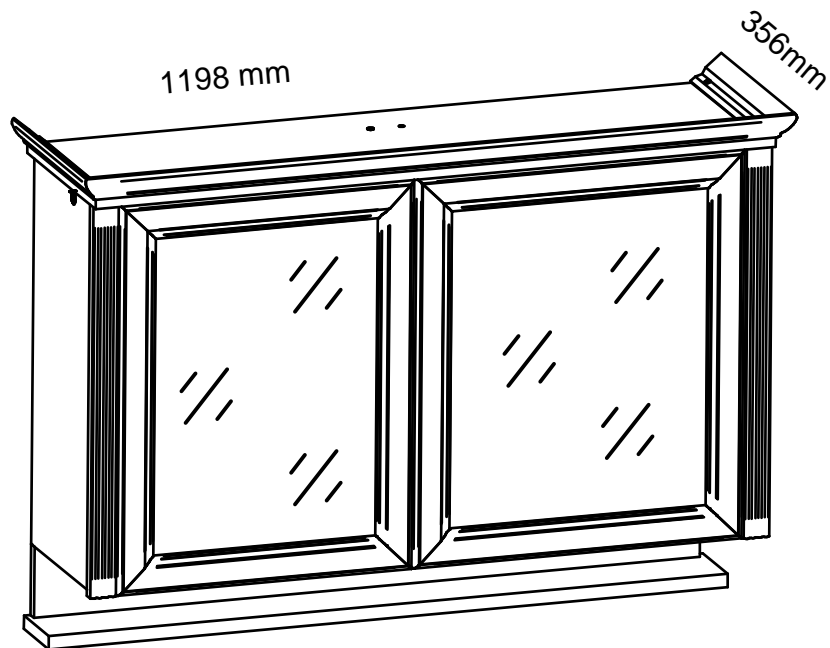
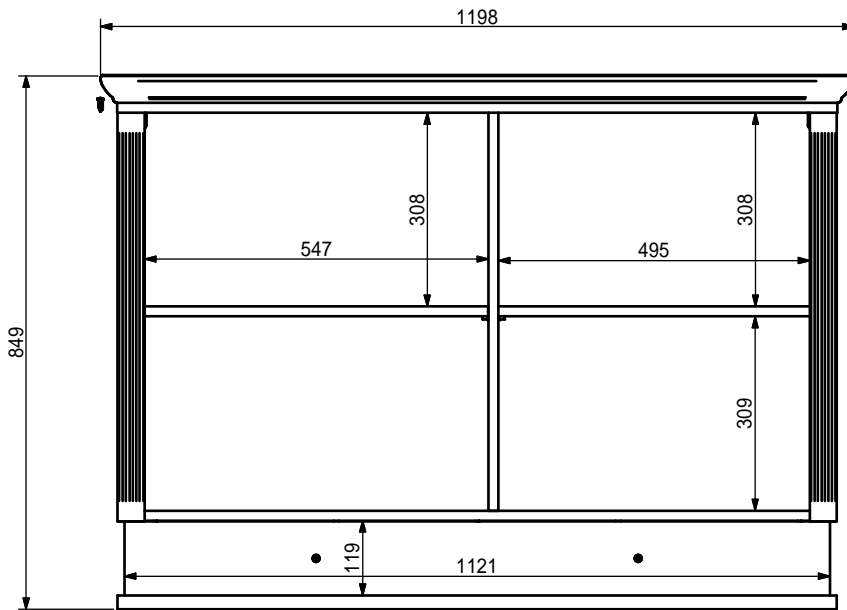


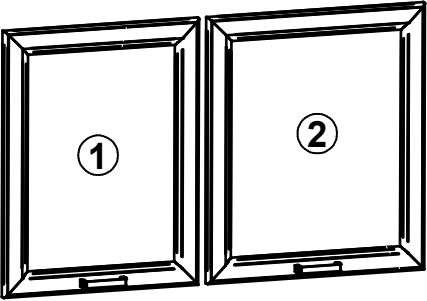
B

A

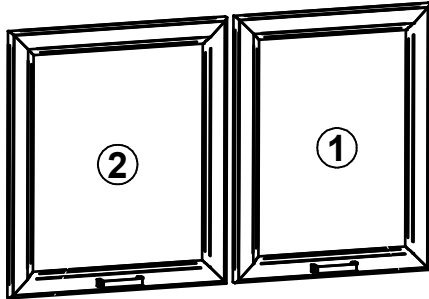


B



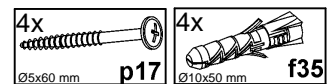
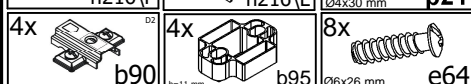
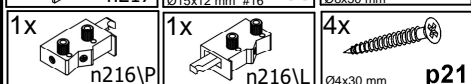
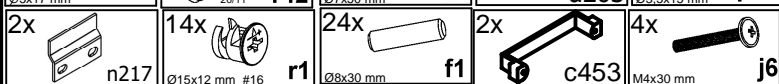
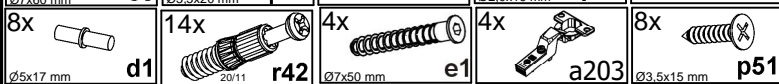
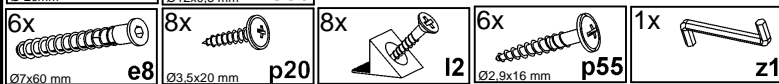
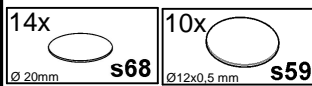
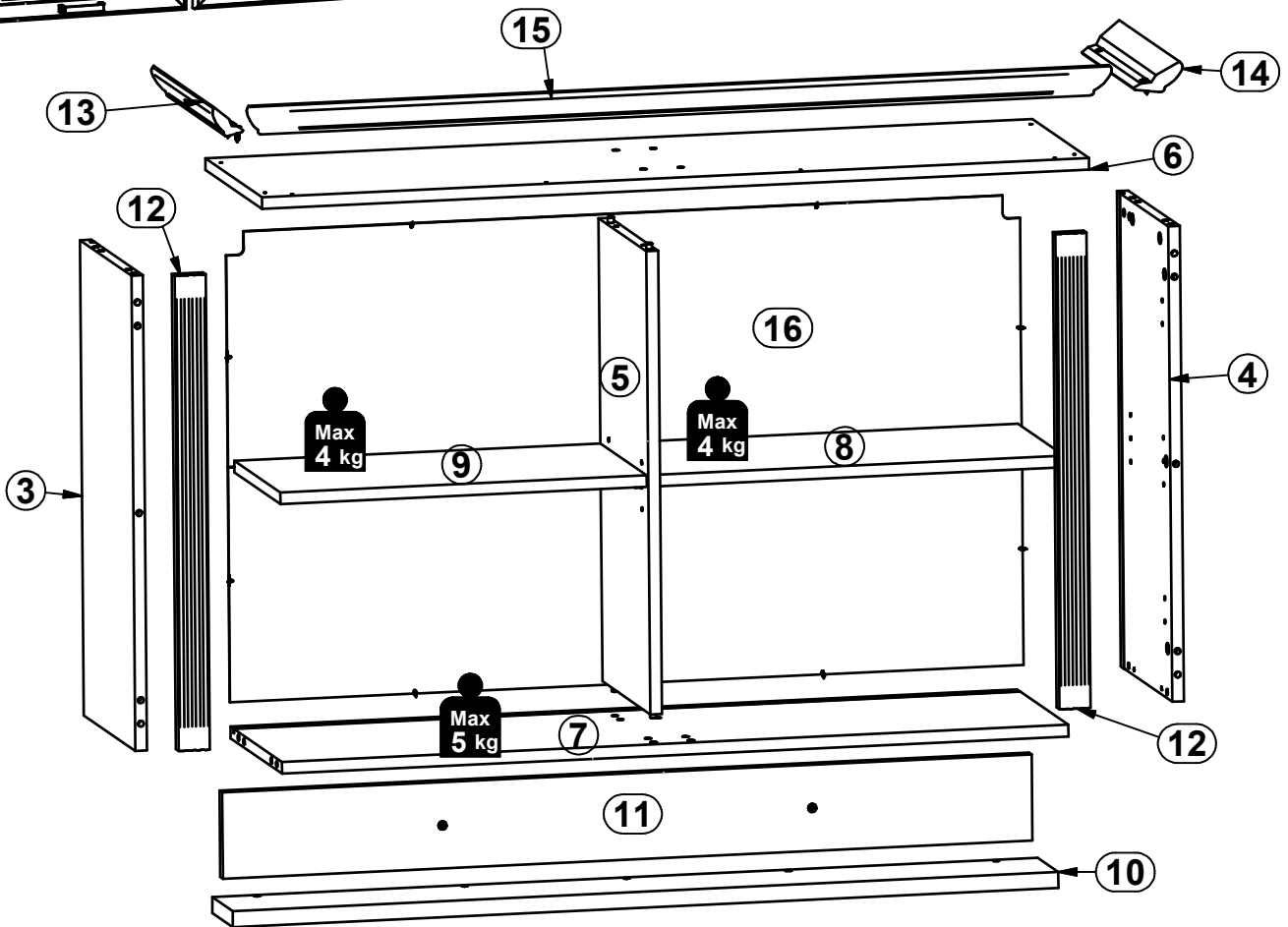


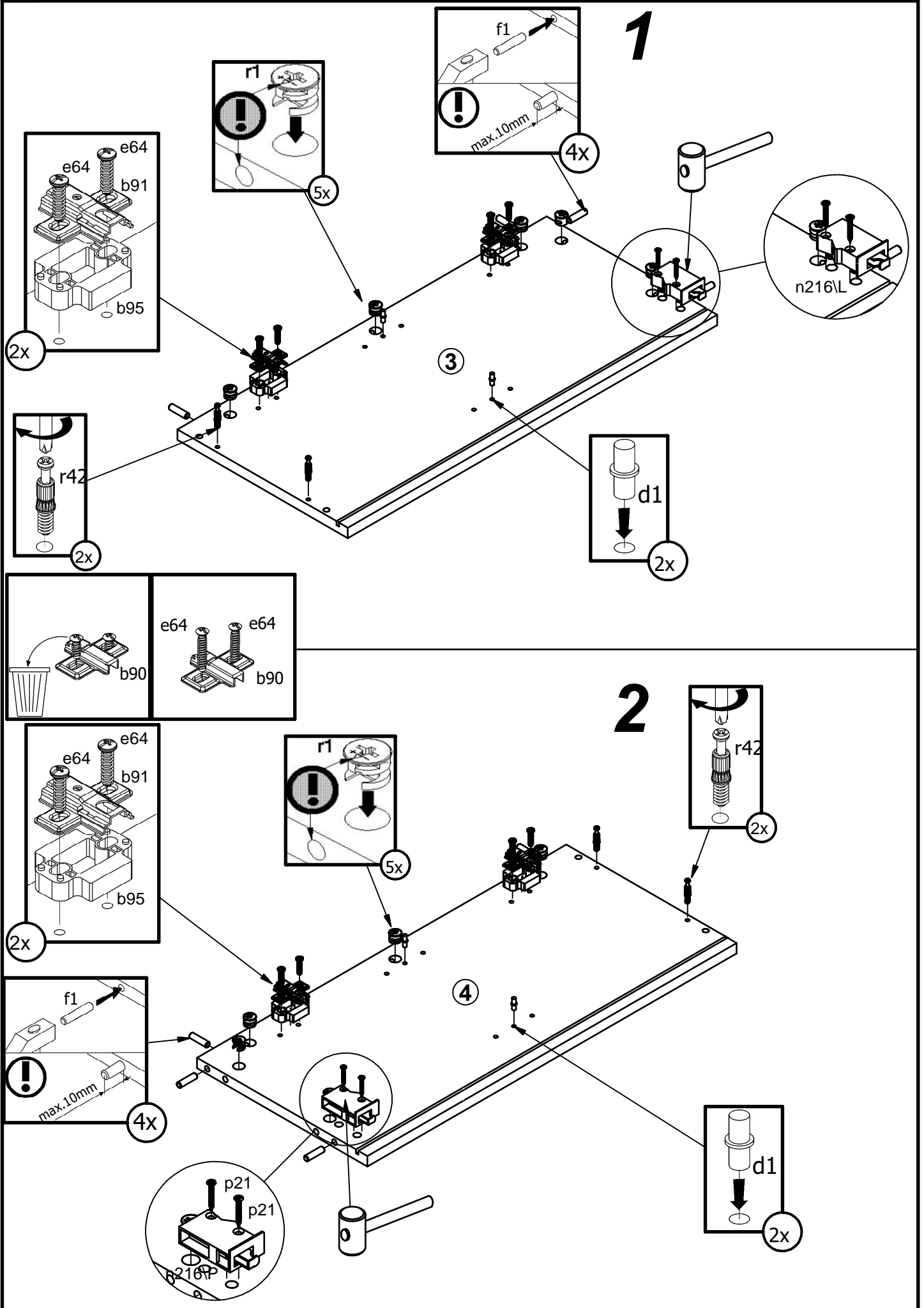
A



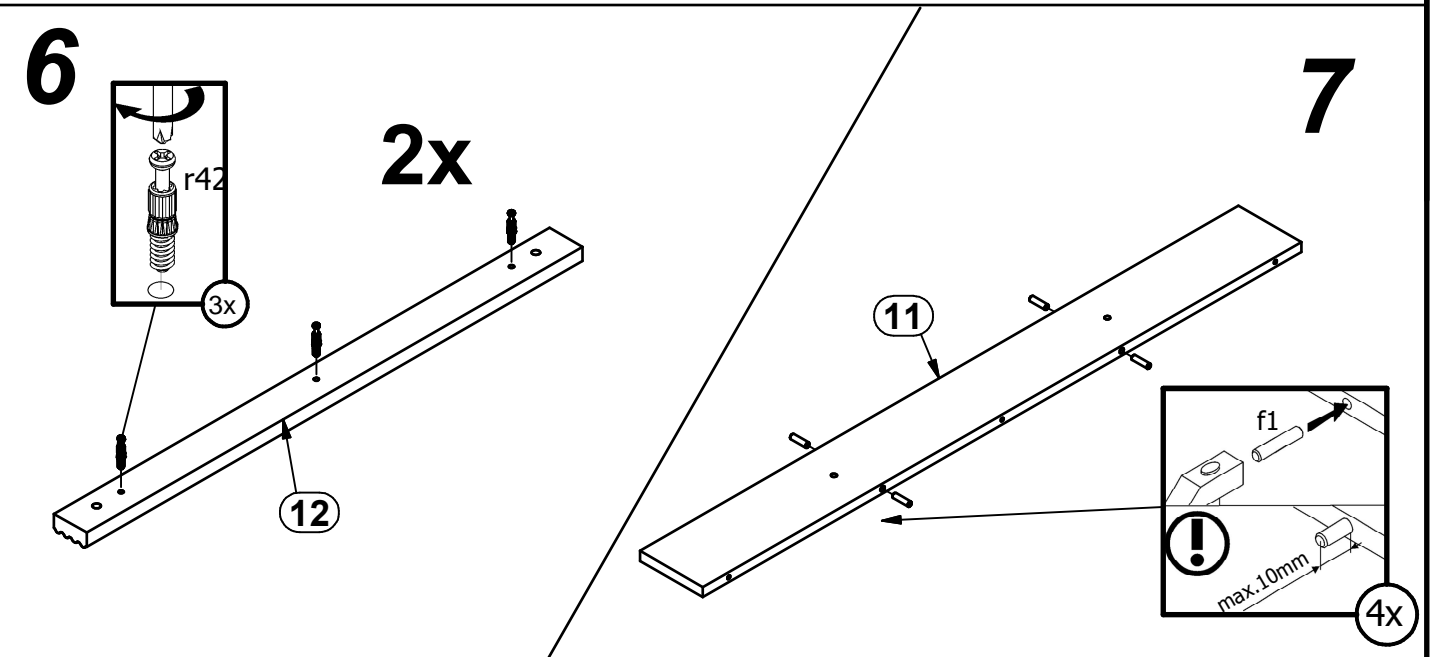
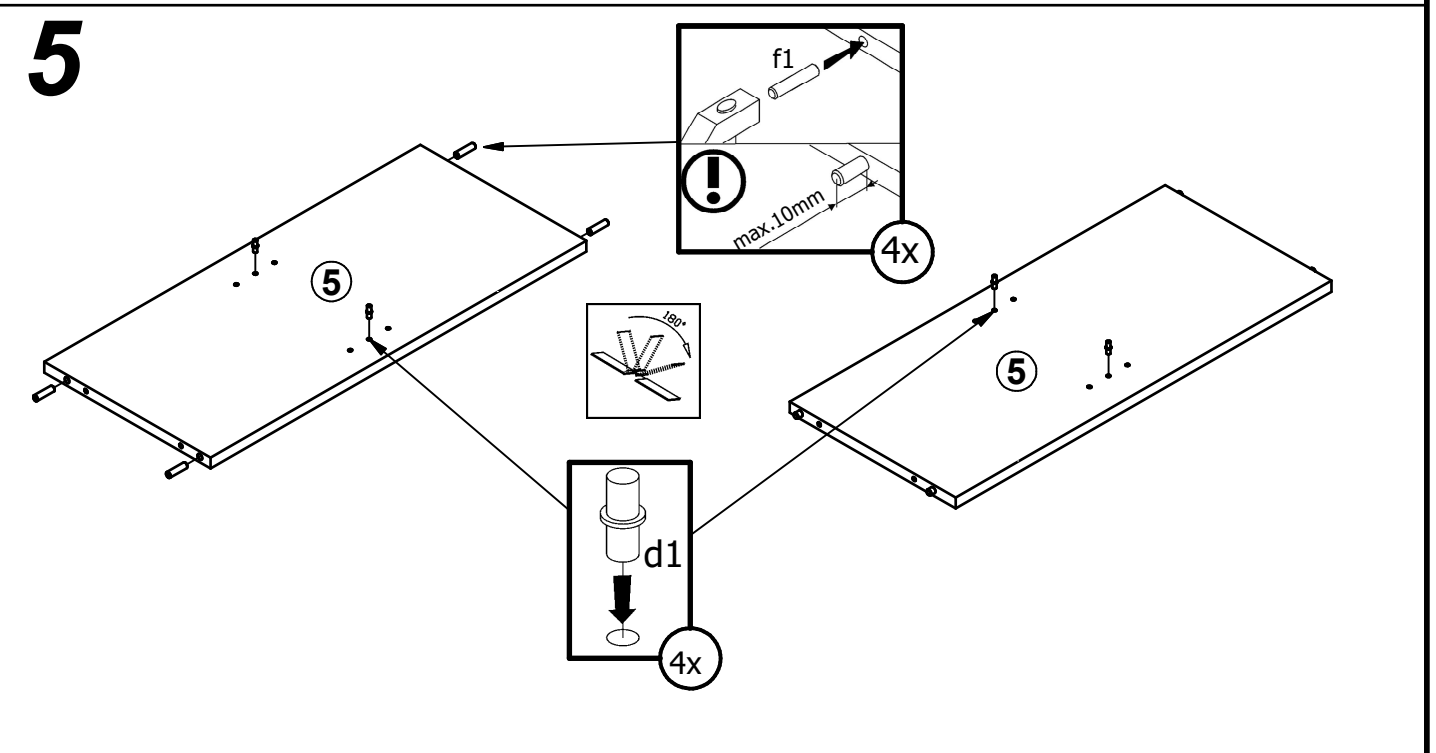
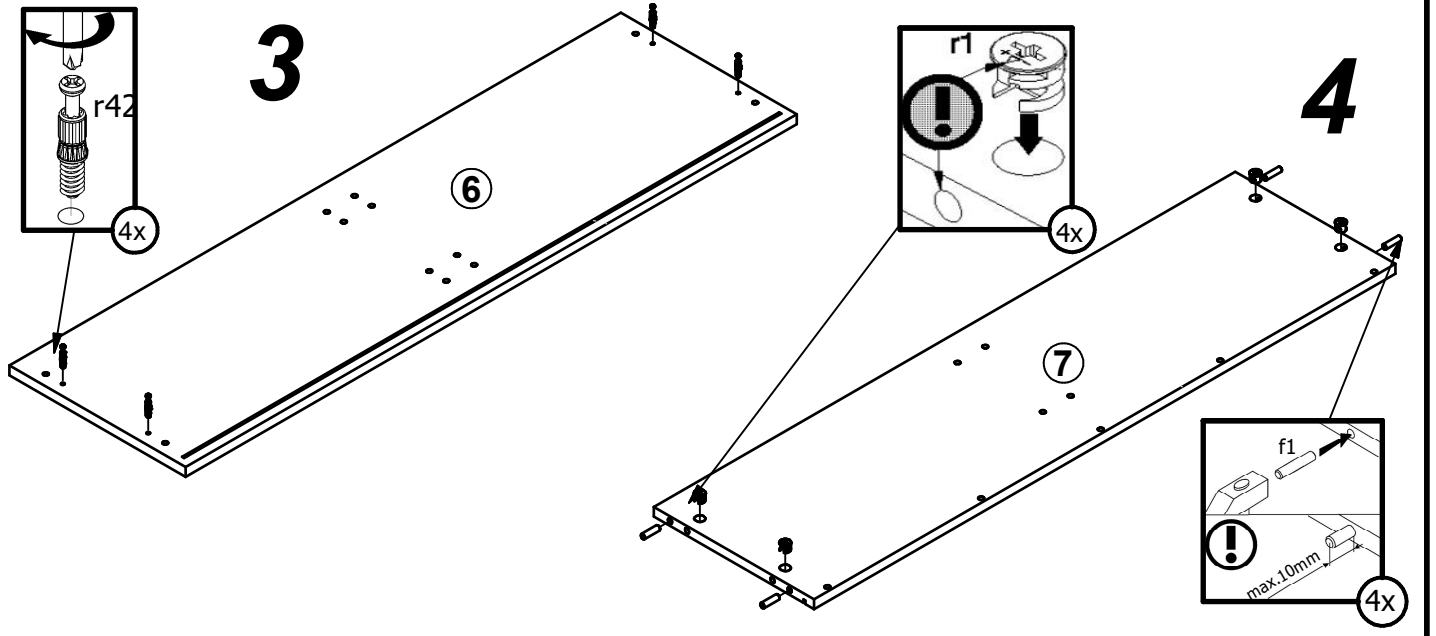
B

A	B	C1	C2	C3	D
1	S538-0006	647	495	22	212
2	S538-0007	647	552	22	212
3	S538-1008	650	300	16	212
4	S538-1009	650	300	16	212
5	S538-1012	633,5	280	16	212
6	S538-2005	1145	330	16	112
7	S538-3008	1089	300	16	112
8	S538-3009	562	270	16	112
9	S538-3010	510	270	16	112
10	S538-3021	1143	120	22	112
11	S538-4502	1121	118	16	112
12	S538-5004	650	43	19	112
13	S538-5801	356	67	22	112
14	S538-5802	356	67	22	112
15	S538-5803	1198	67	22	112
16	S538-9301	643	1099	2,5	112

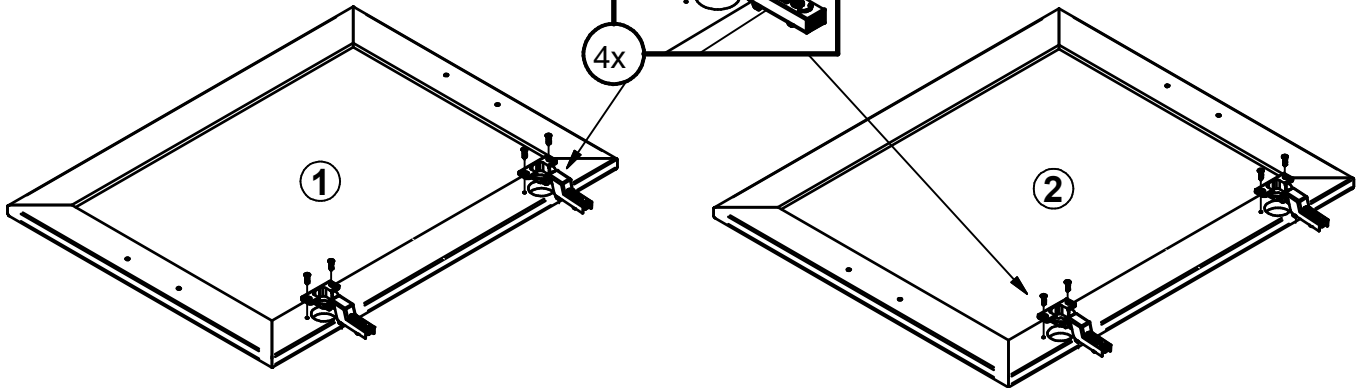
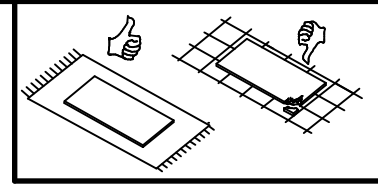
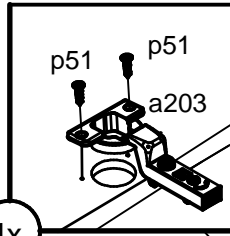




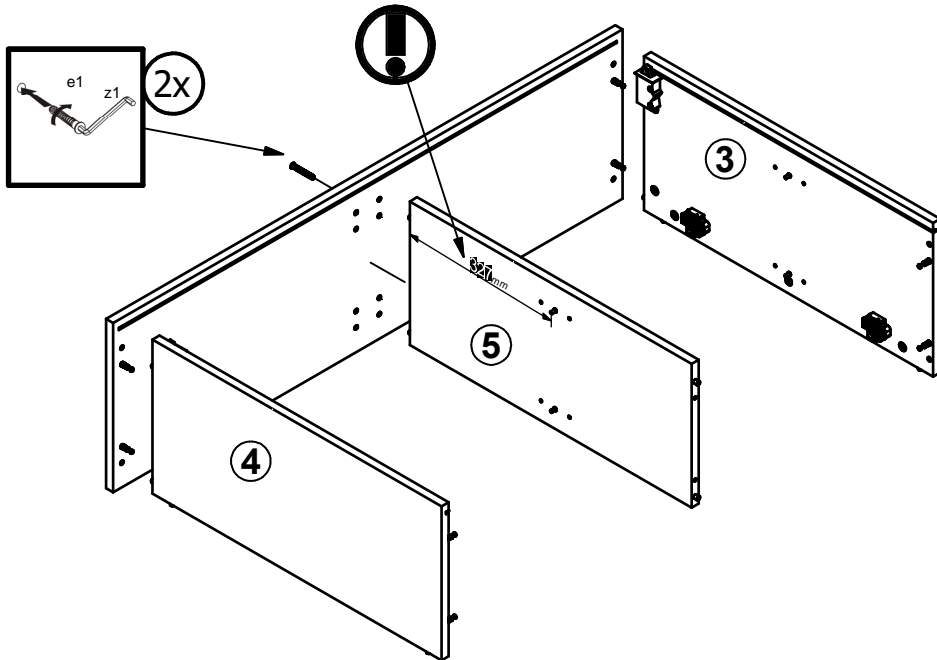




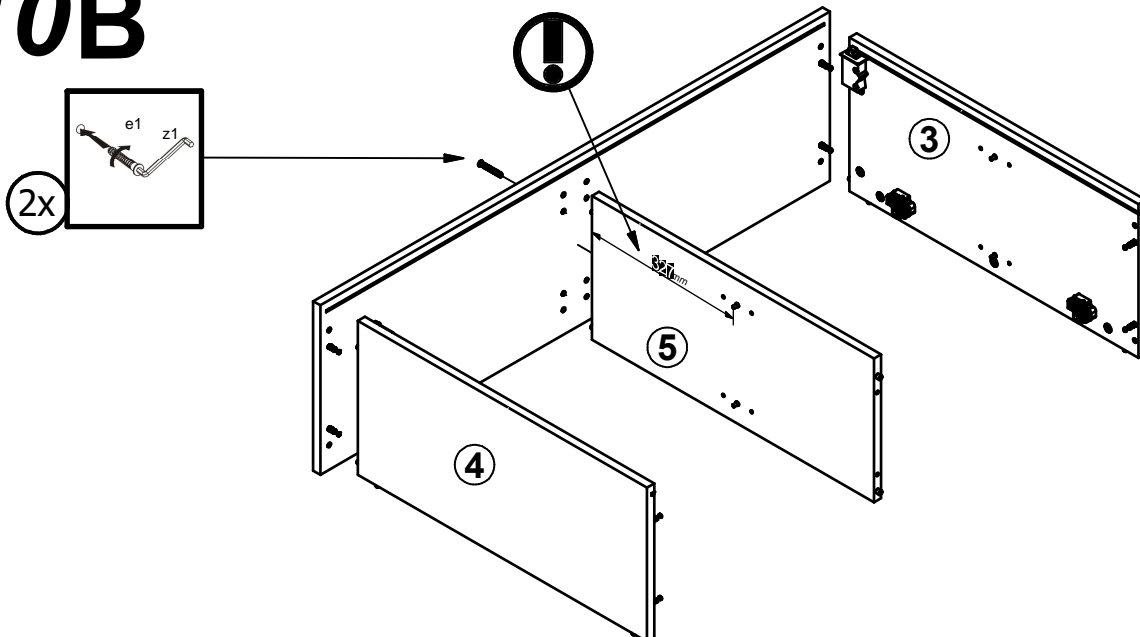
8

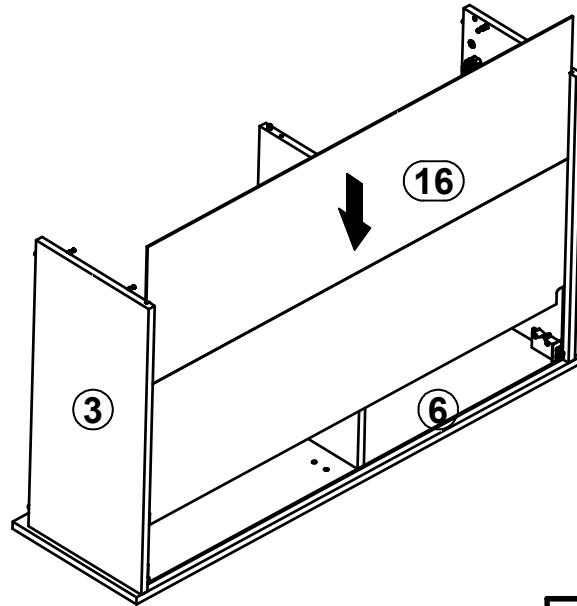


9 A

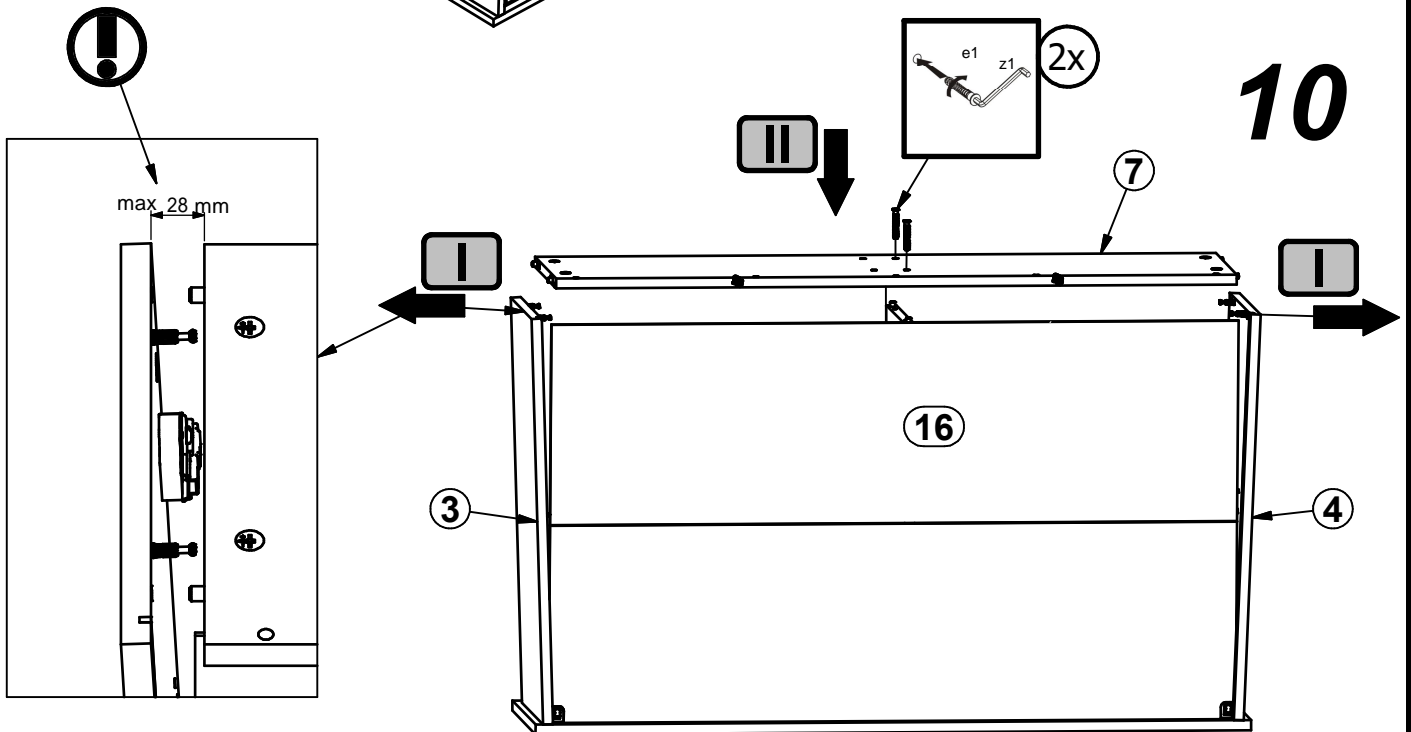


10 B



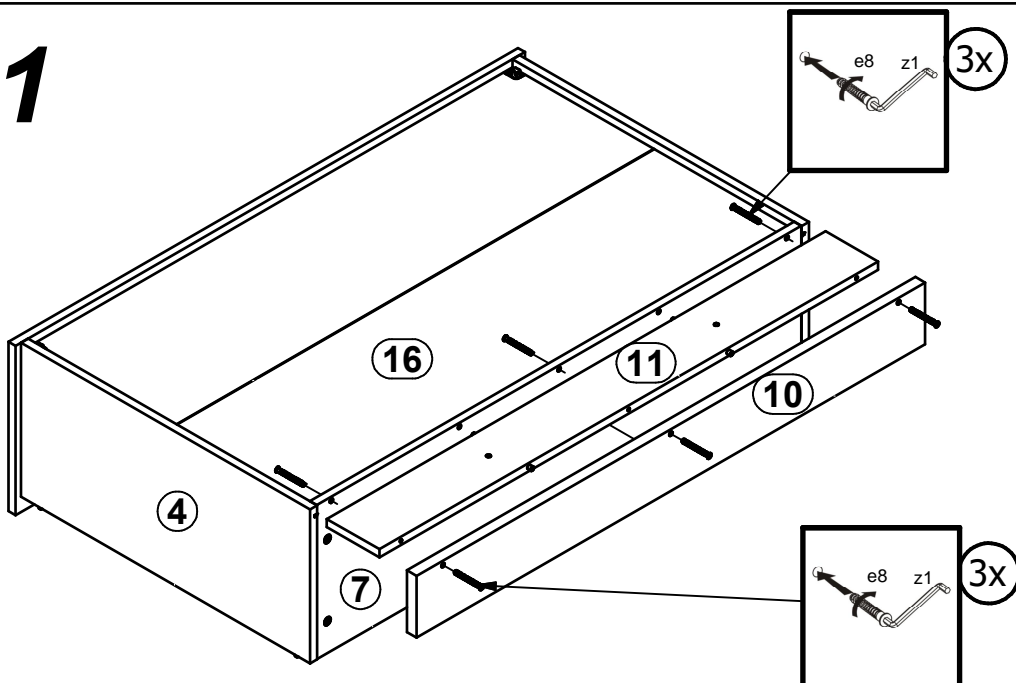


9

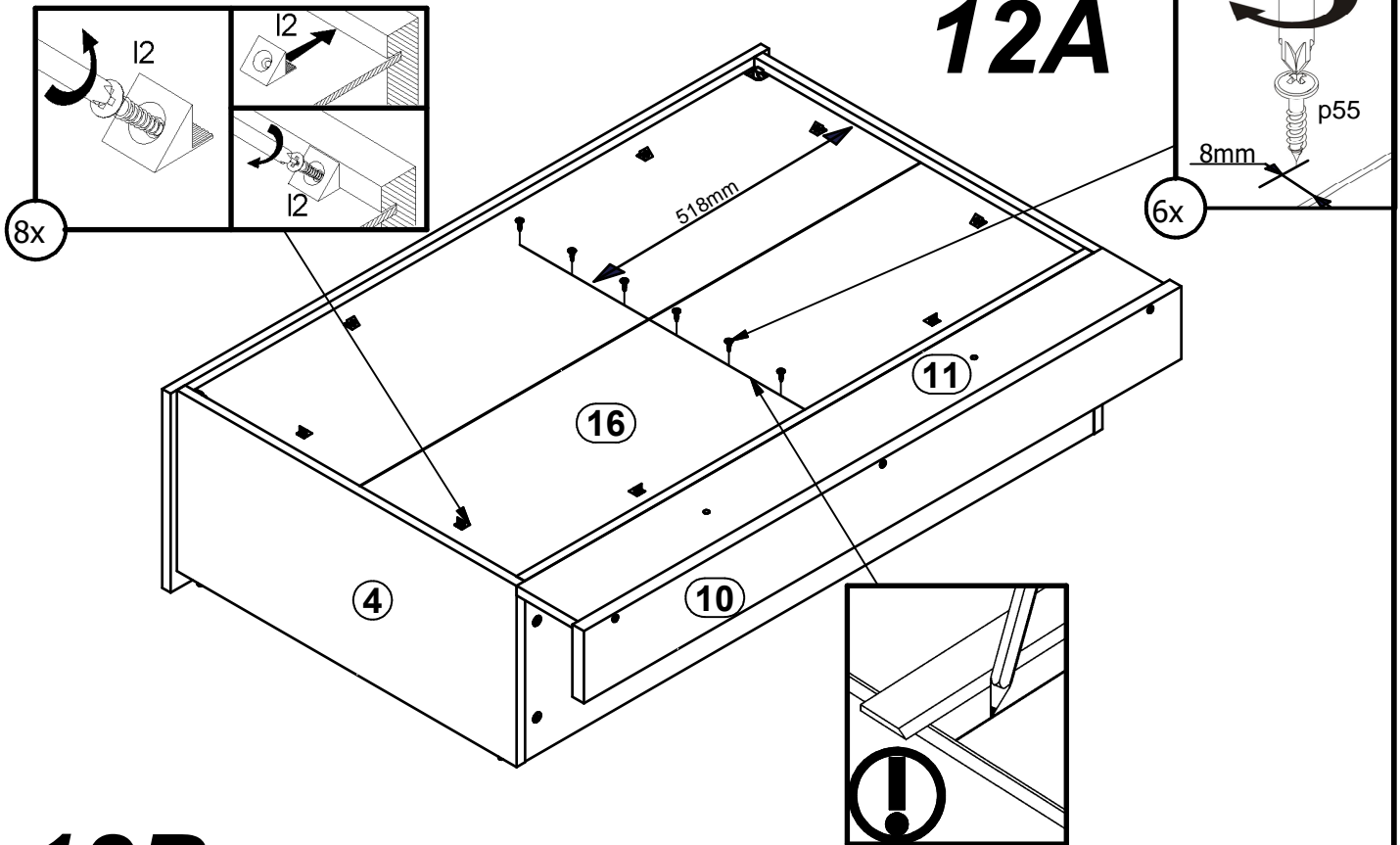


10

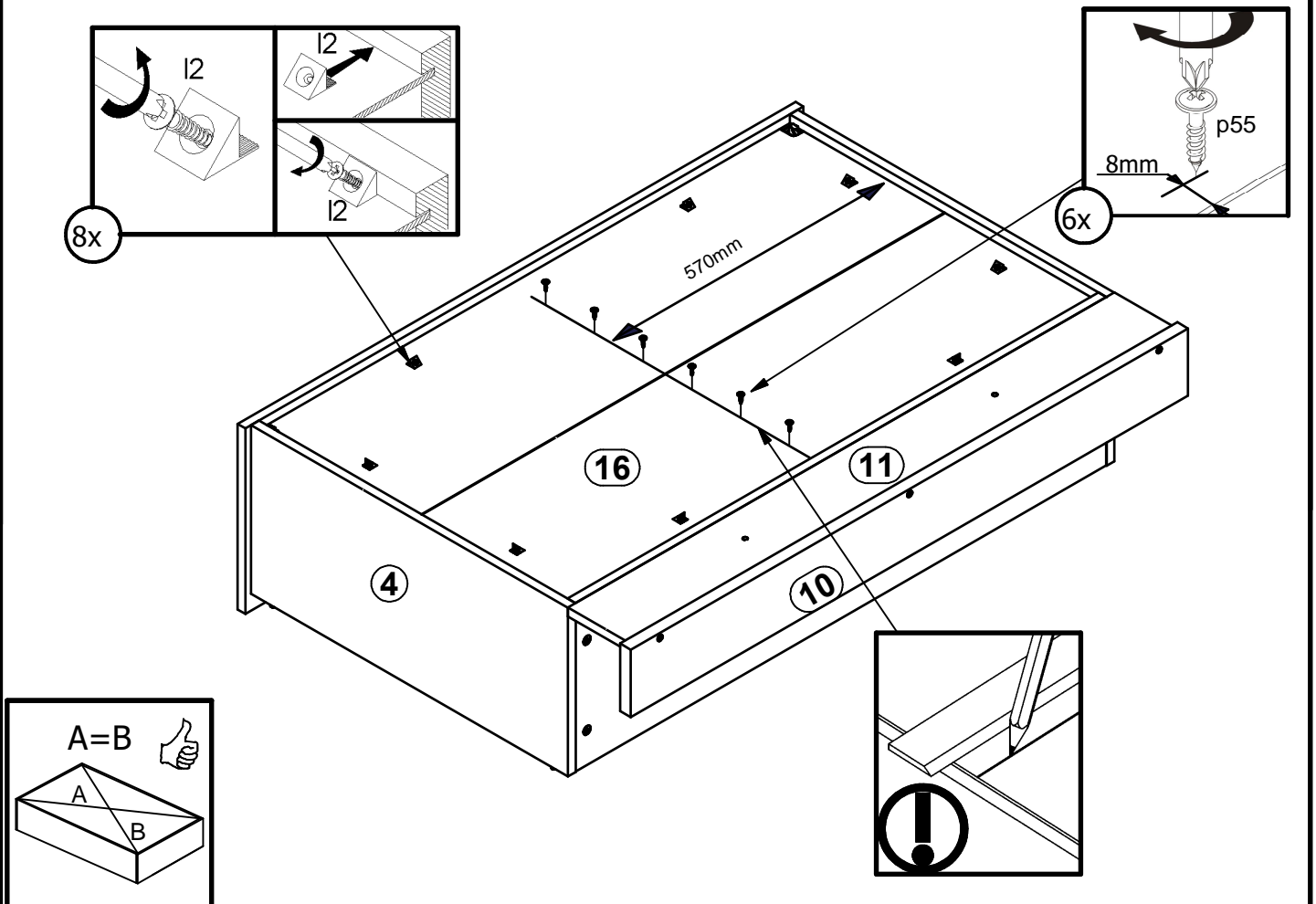
11



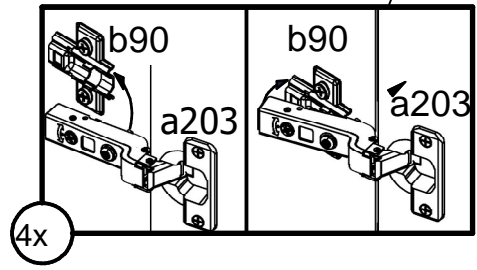
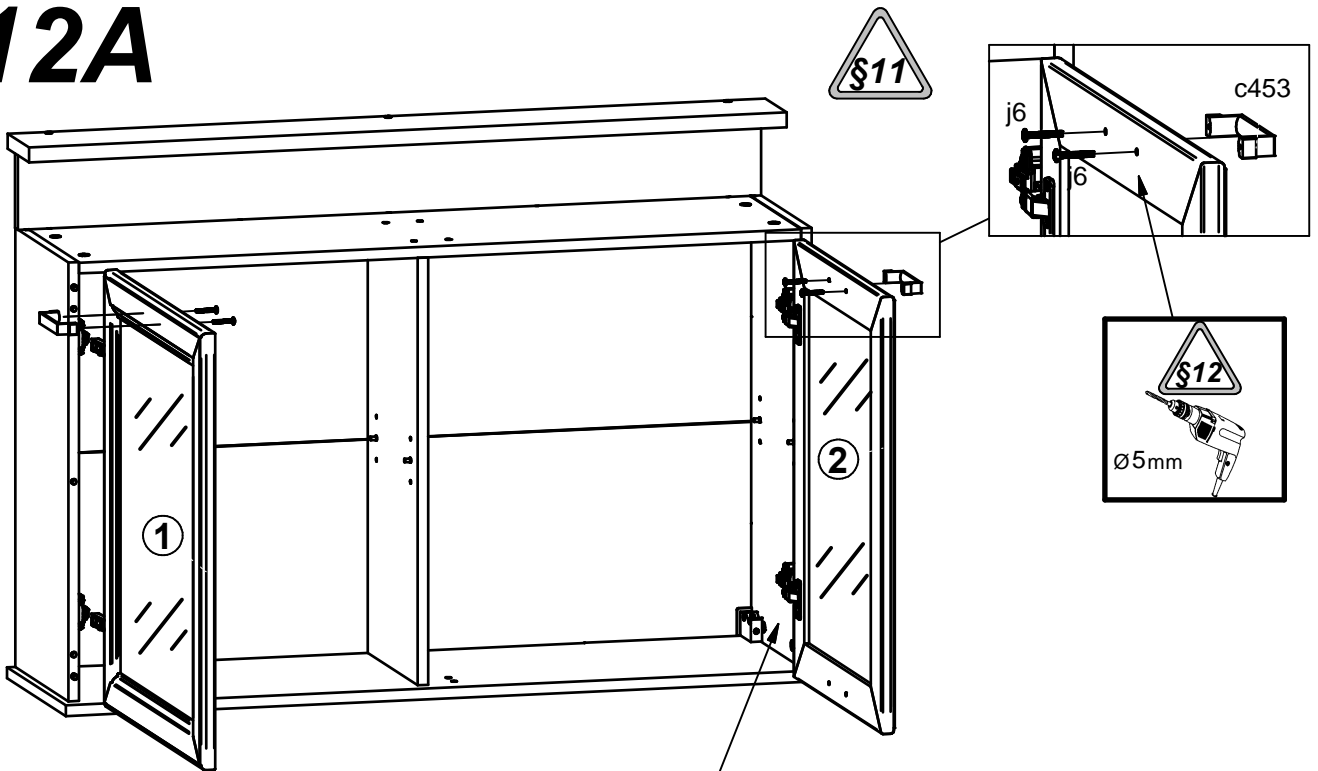
# 12A



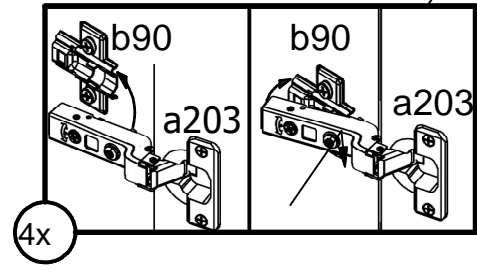
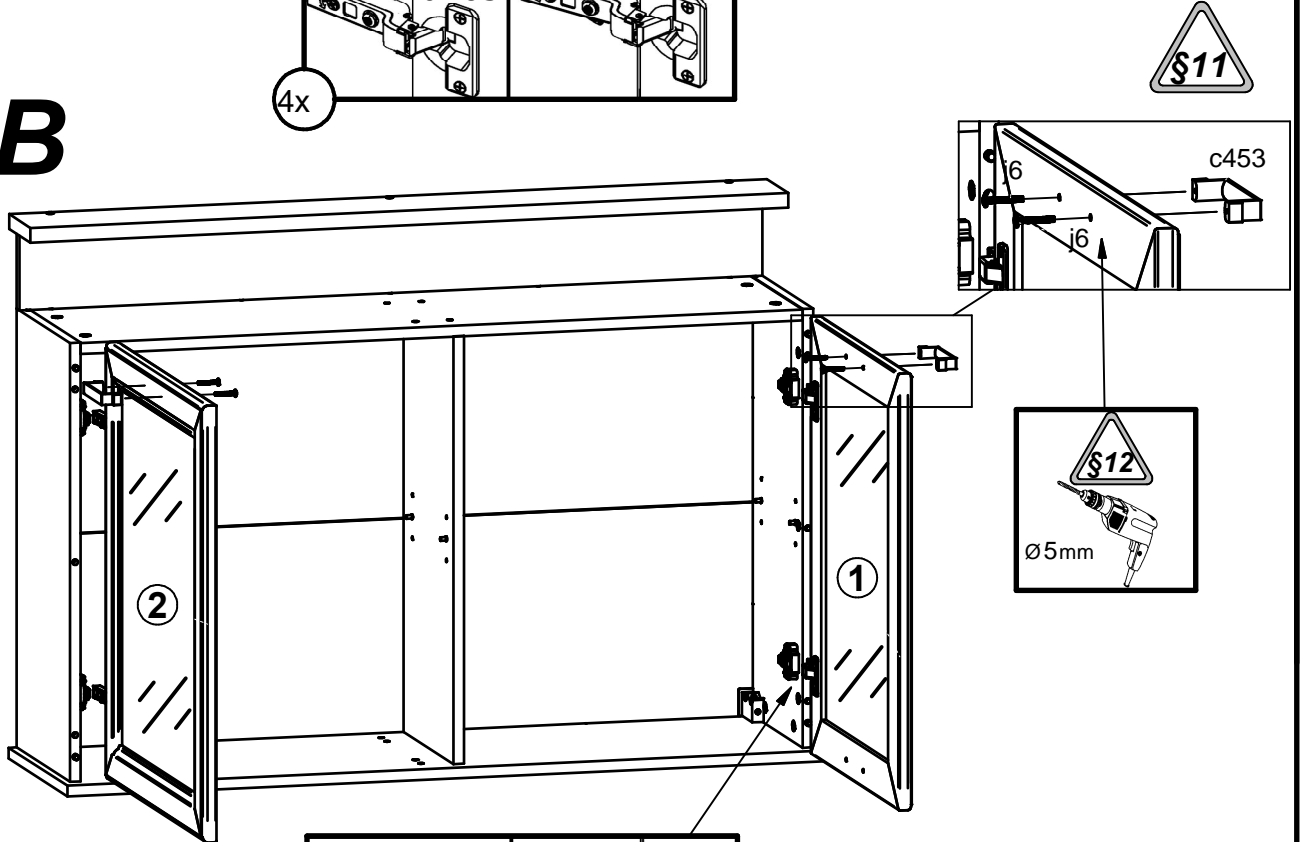
# 12B



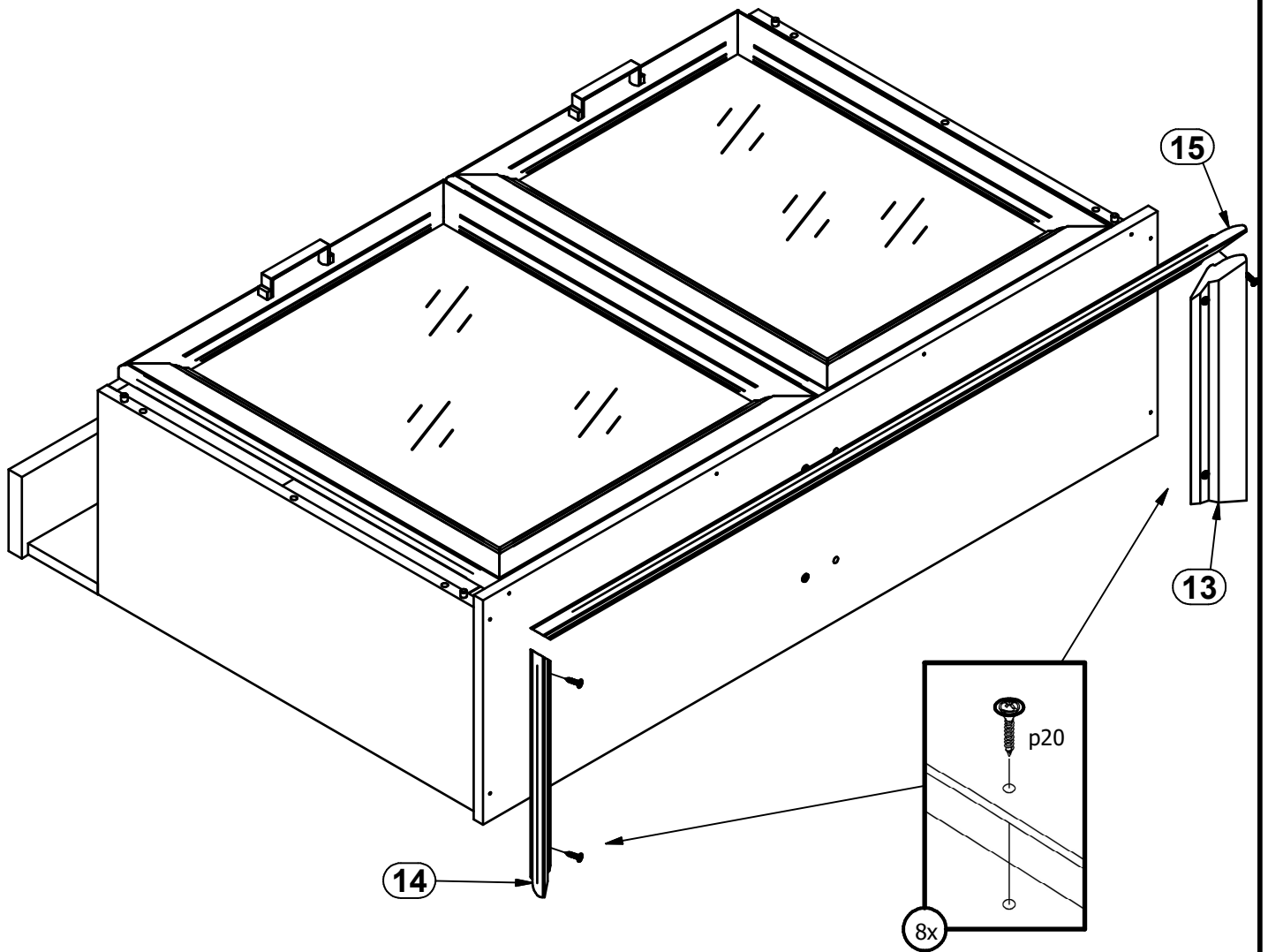
# 12A



# 12B

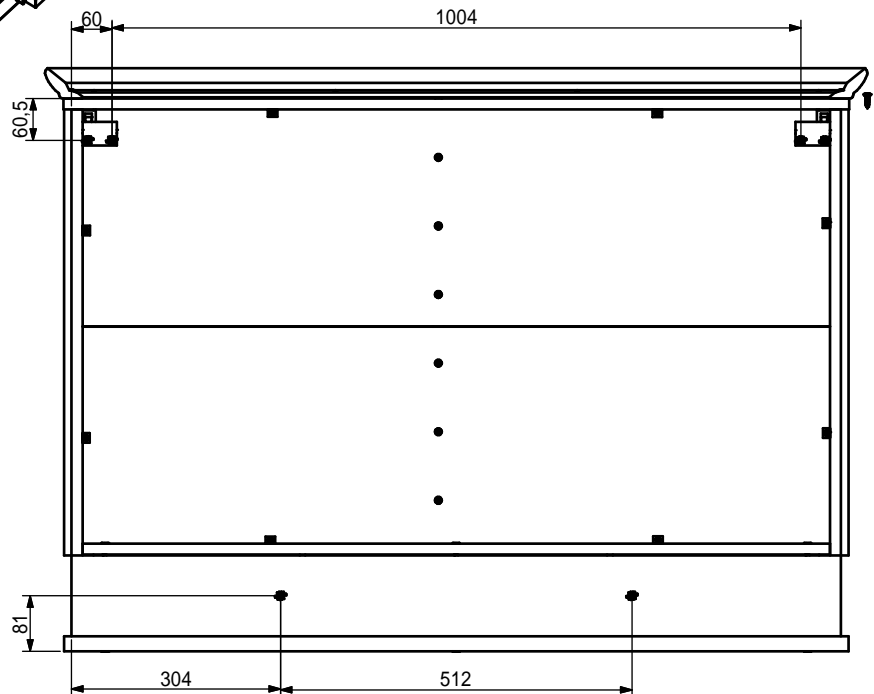
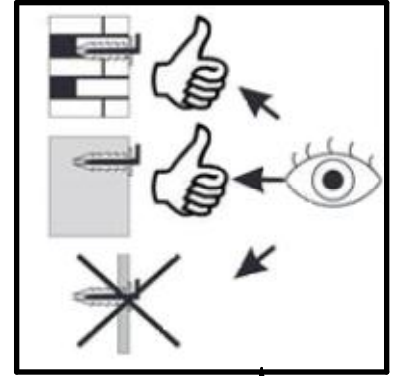
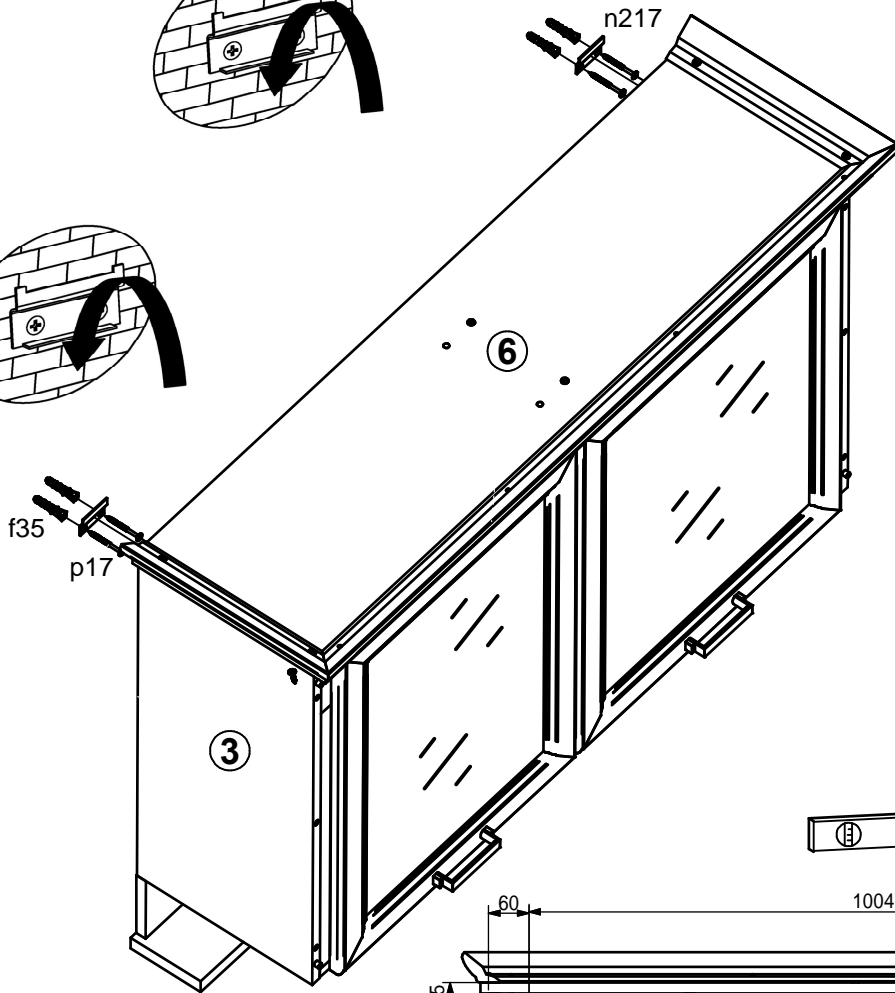
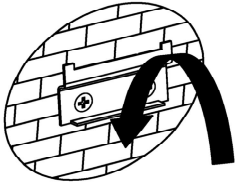
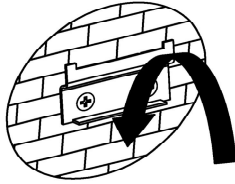
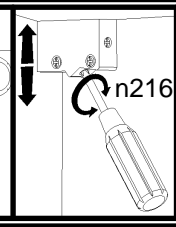
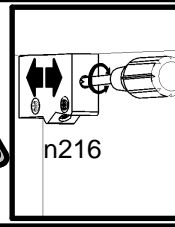
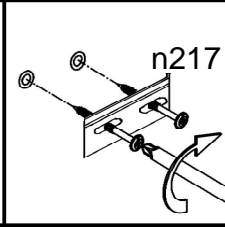
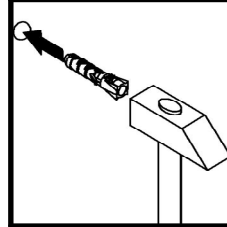
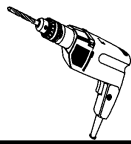


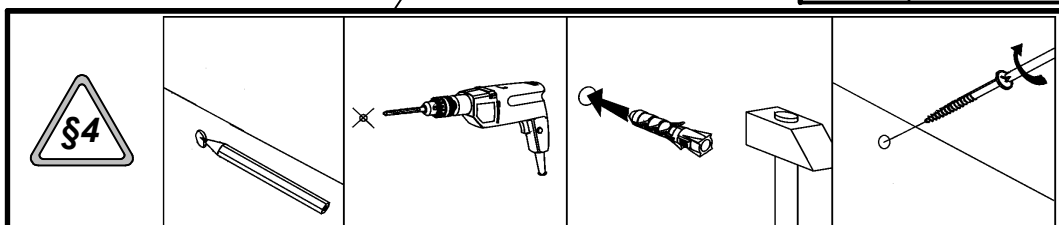
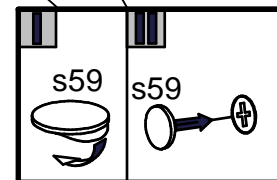
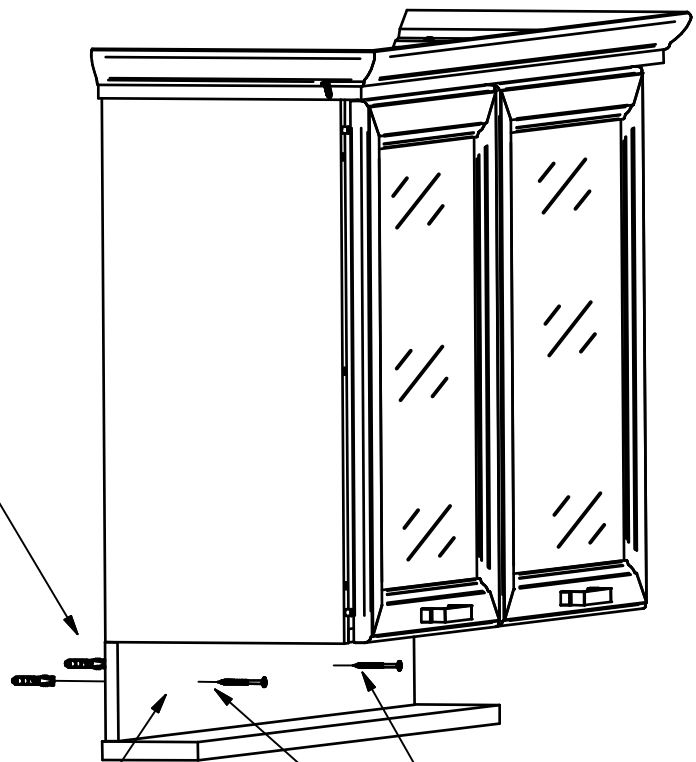
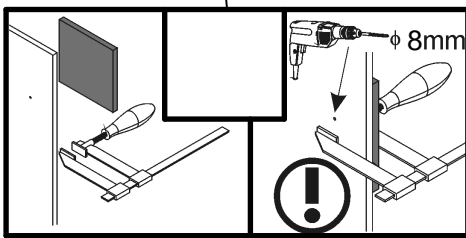
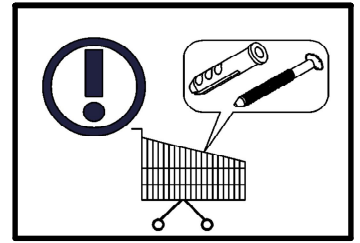
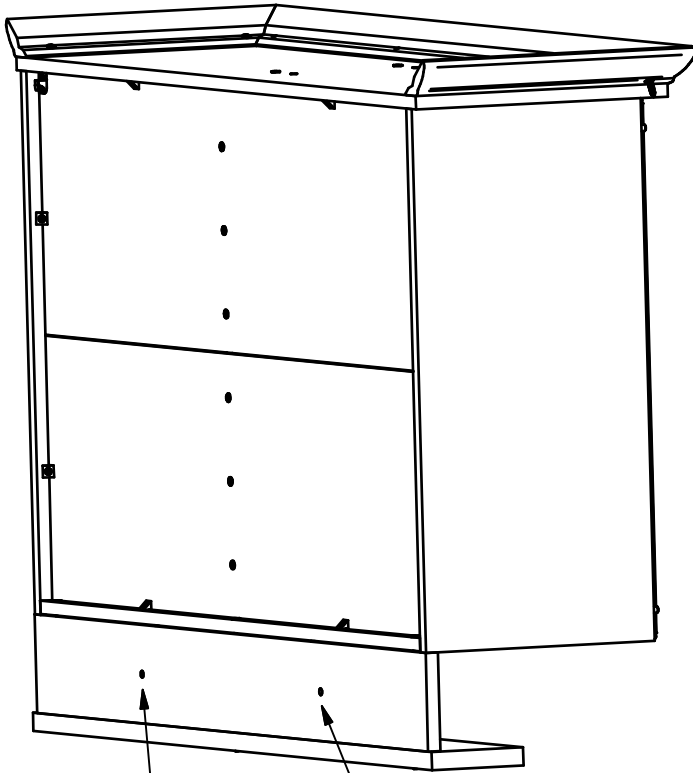
# 13AB



# 14AB

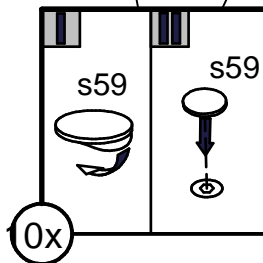
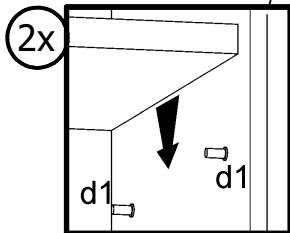
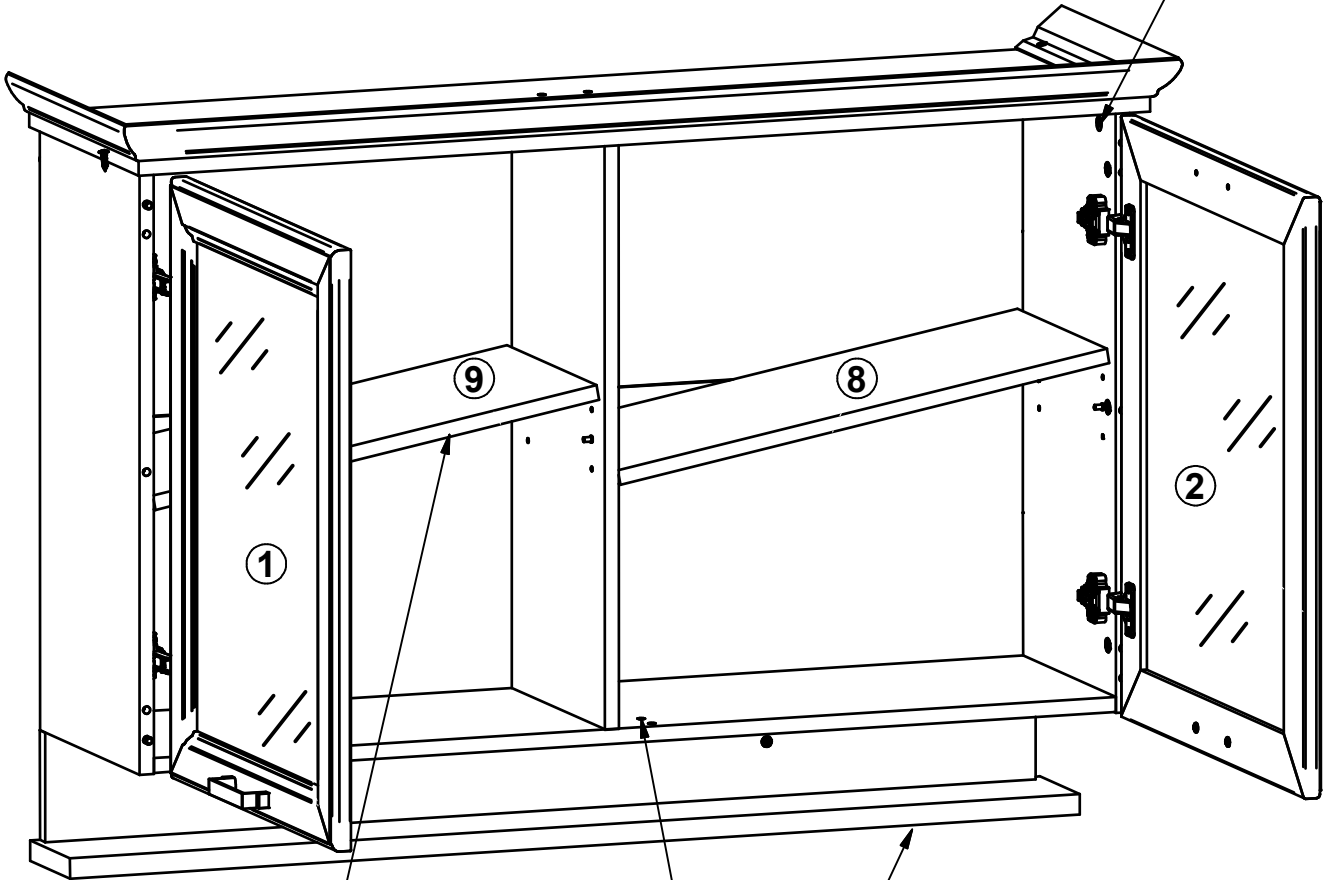
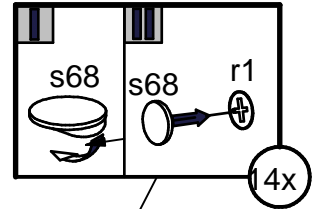
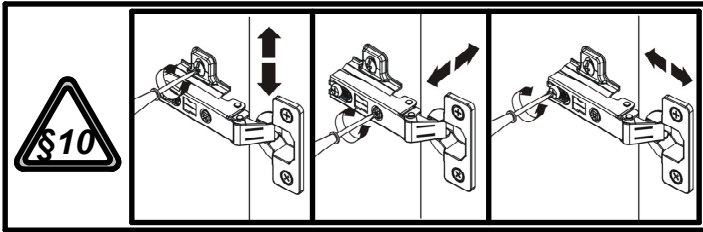
Ø10mm







# 15A

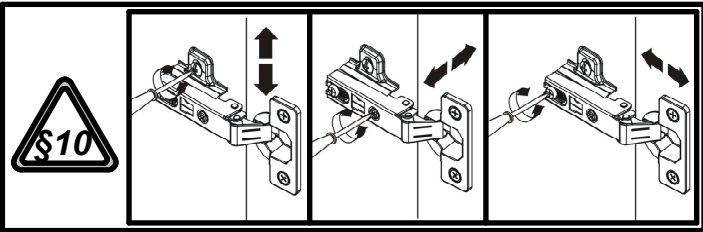


A

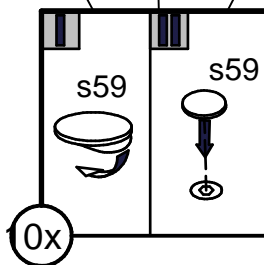
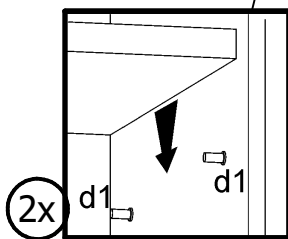
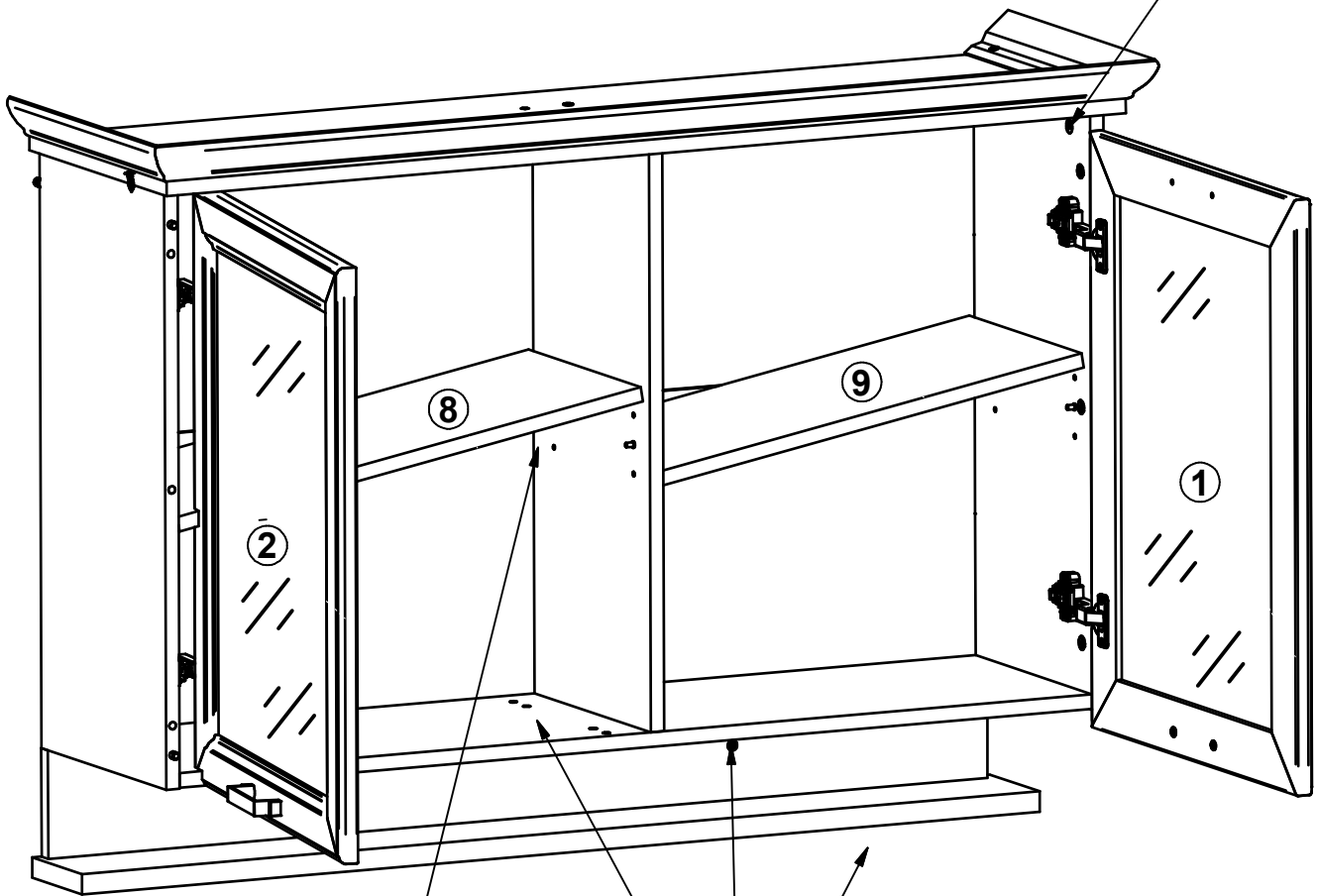
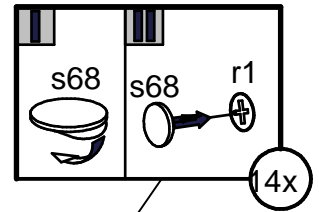
S538-SFW2W\_I

84-881---, 84-882---

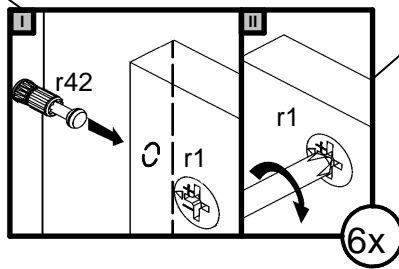
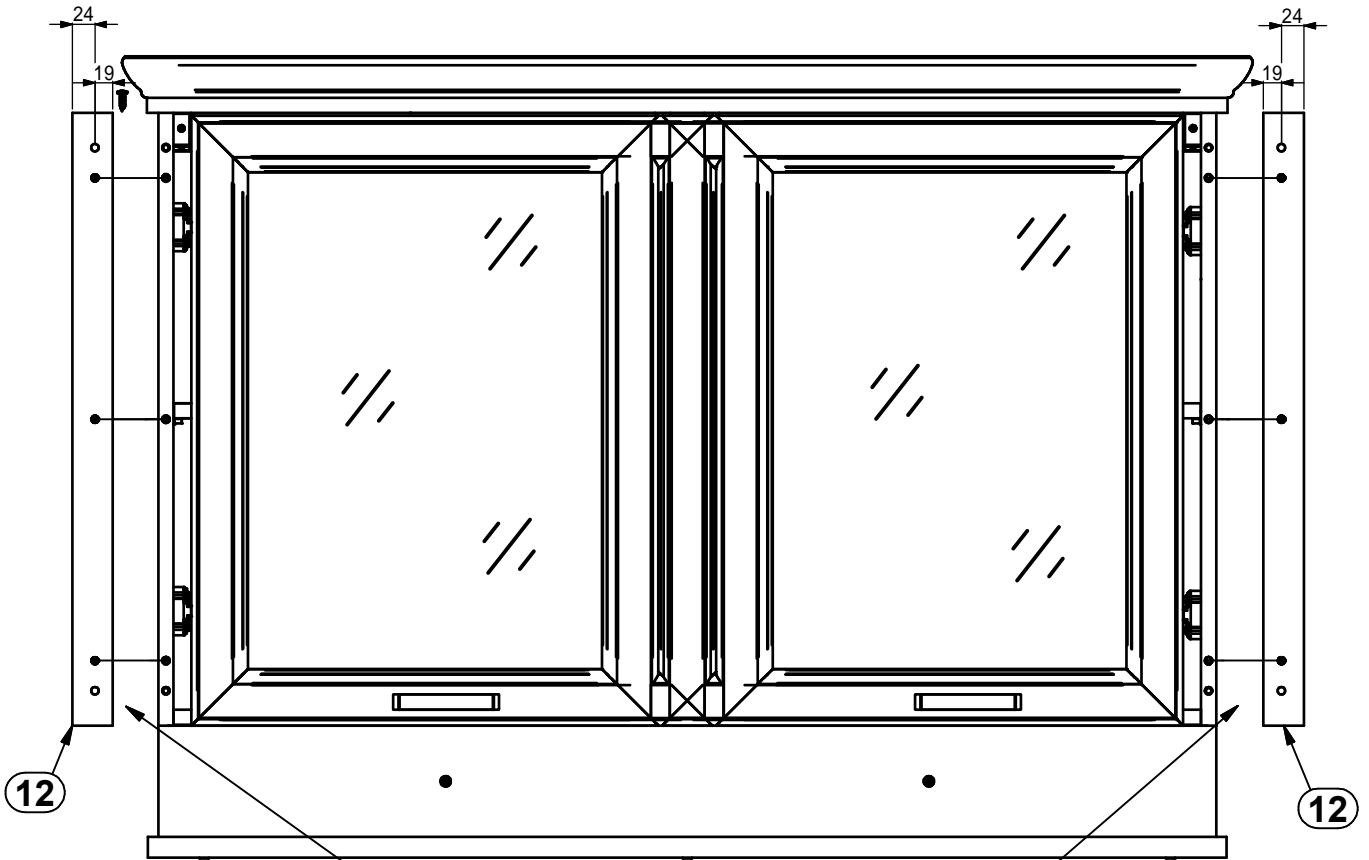
14 / 15

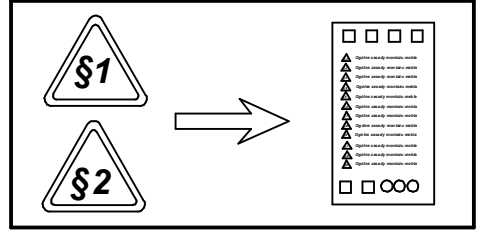
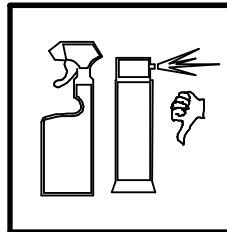
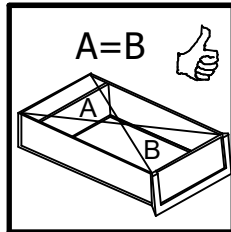
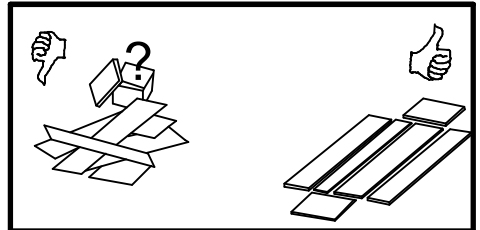
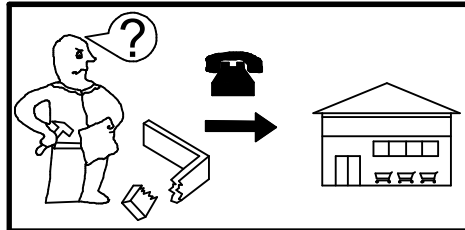
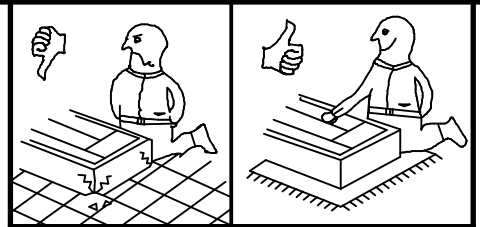
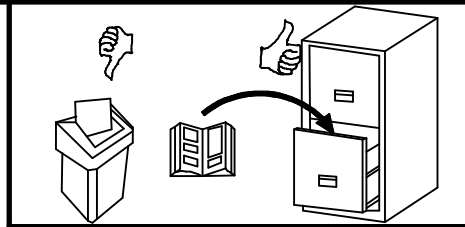


**15B**

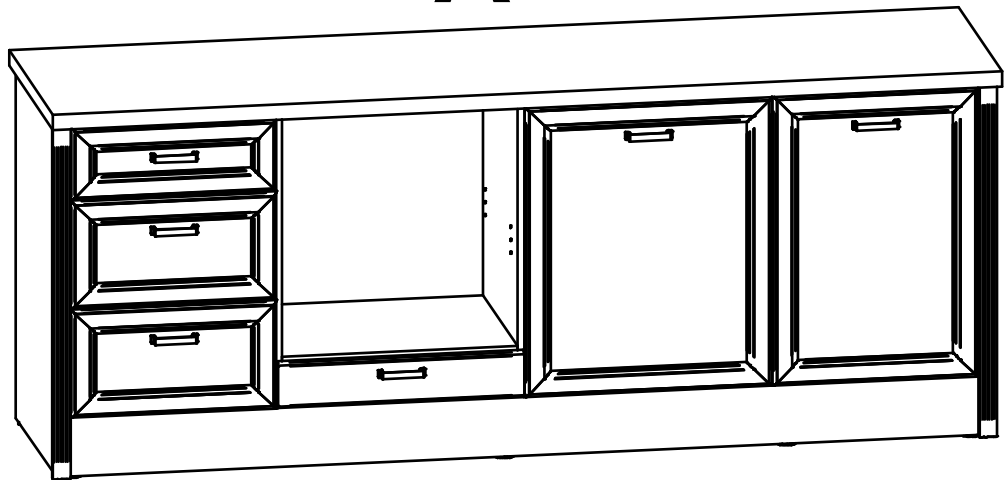


# 16AB

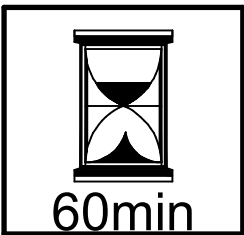
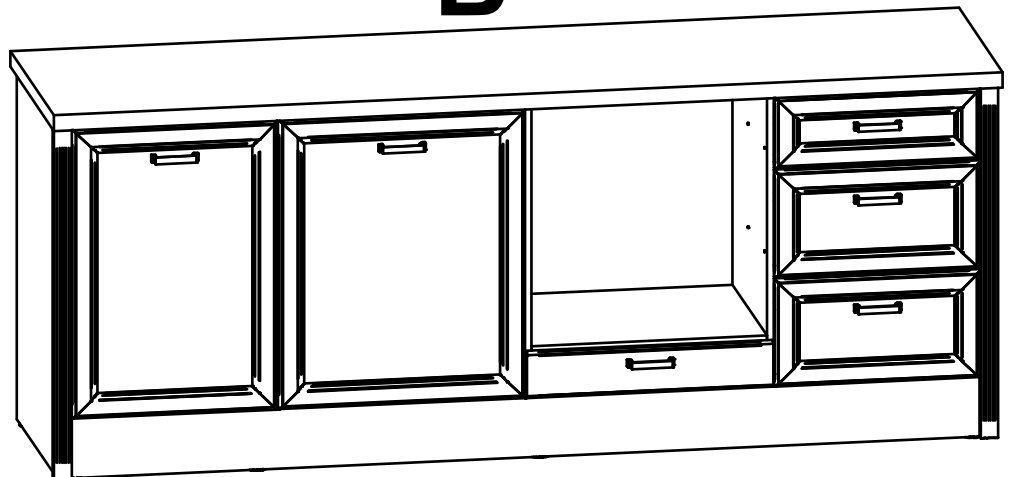




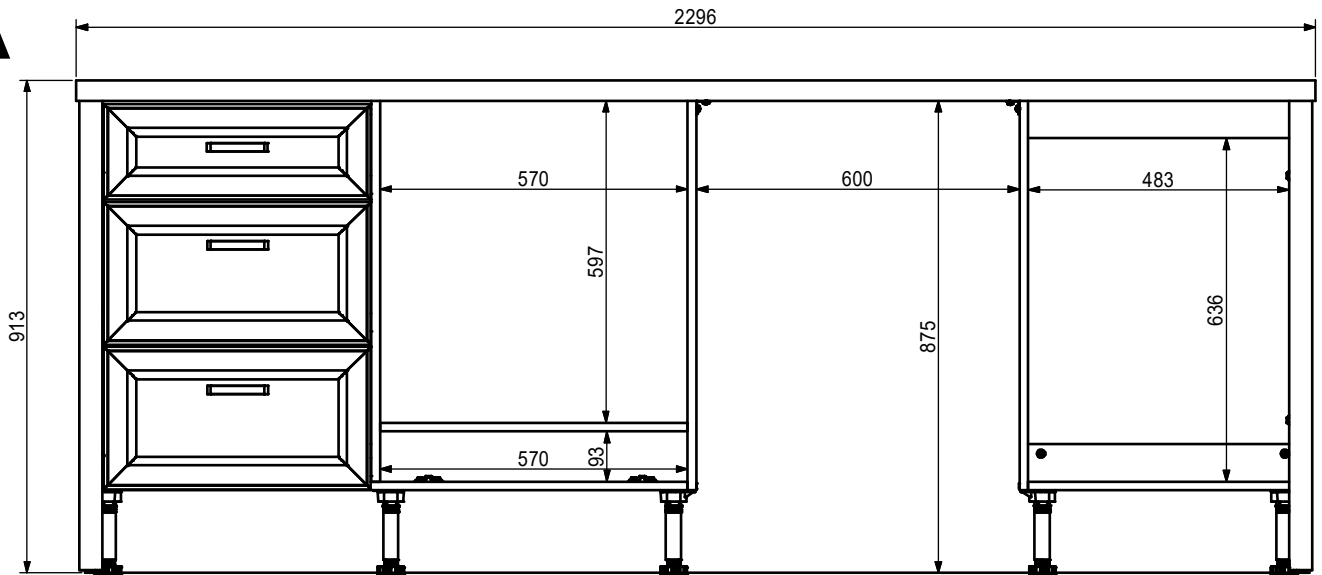
A



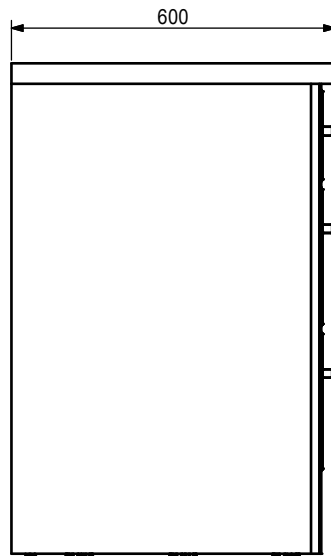
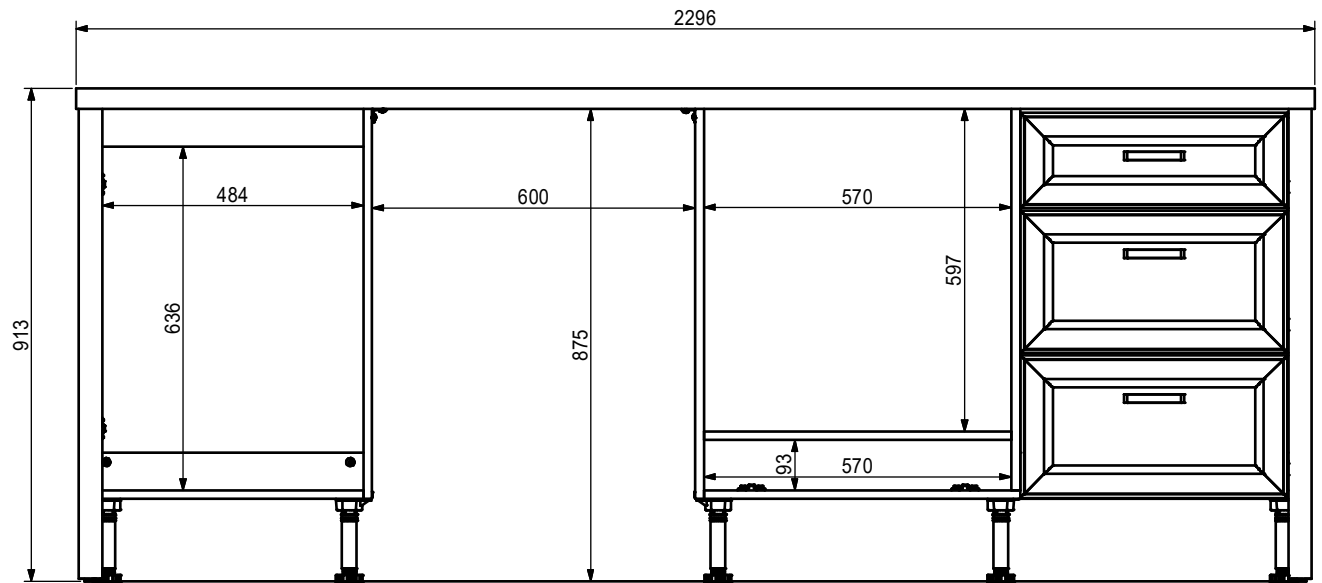
B



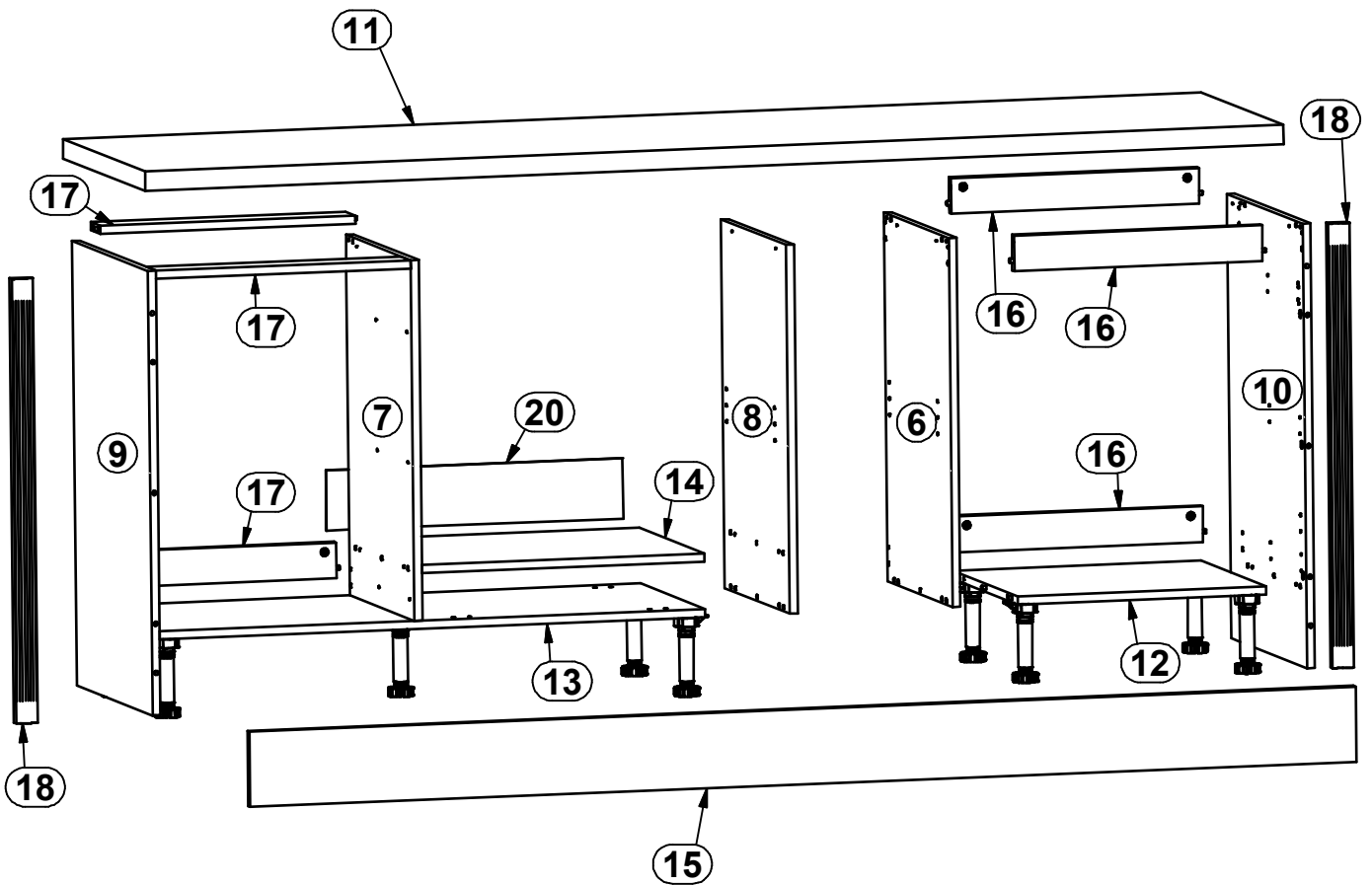
A

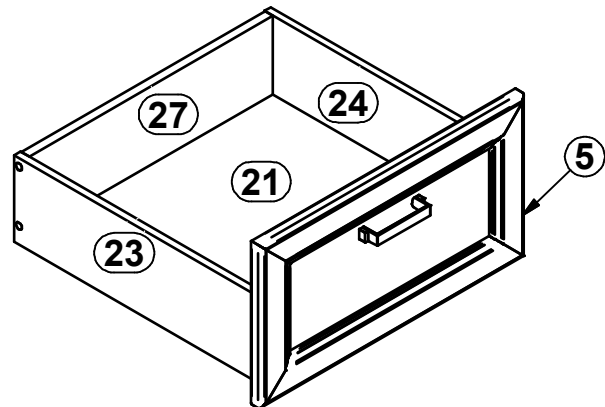
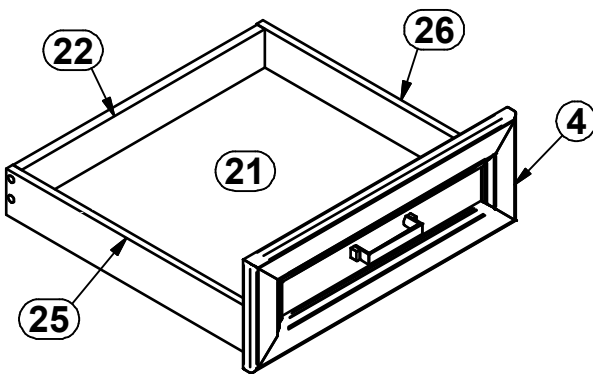
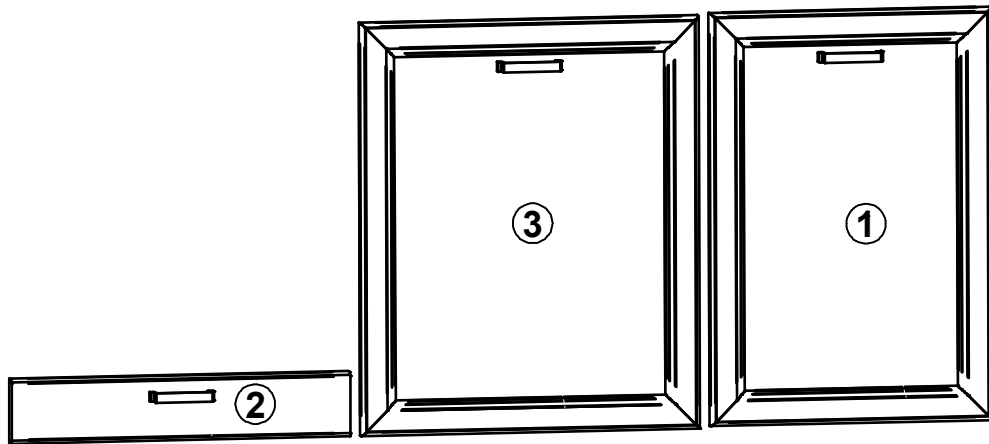


B



A	B	C1	C2	C3	D
1	S538-0015	713	495	22	113
2	S538-0008	596	112	22	113
3	S538-0003	713	595	22	113
4	S538-0013	495	177	22	113
5	S538-0014	495	264	22	113
6	S538-1003	722	475	16	213
7	S538-1019	706	475	16	213
8	S538-1020	722	475	16	213
9	S538-1021	870	555	16	113
10	S538-1022	870	555	16	113
11	S538-2009	2296	600	38	313
12	S538-3022	500	475	16	213
13	S538-3023	1100	475	16	213
14	S538-3024	570	475	16	313
15	S538-4009	2231	147	16	313
16	S538-4010	500	70	16	213
17	S538-4012	514	70	16	213
18	S538-5001	870	43	19	113
19	S538-9004	720	528	2.5	313
20	S538-9005	598	118	2.5	113
21	WSP-9416	466	458	2.5	213
22	ZQ6-5276	456	62	15	213
23	ZQ6-535	450	140	12	213
24	ZQ6-536	450	140	12	213
25	ZQ6-539	450	75	12	213
26	ZQ6-540	450	75	12	213
27	ZQ6-5277	456	127	15	213



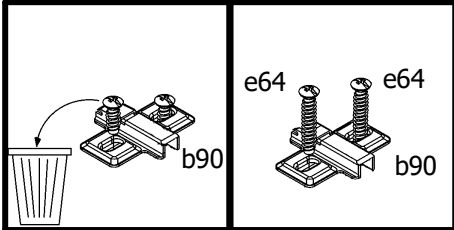
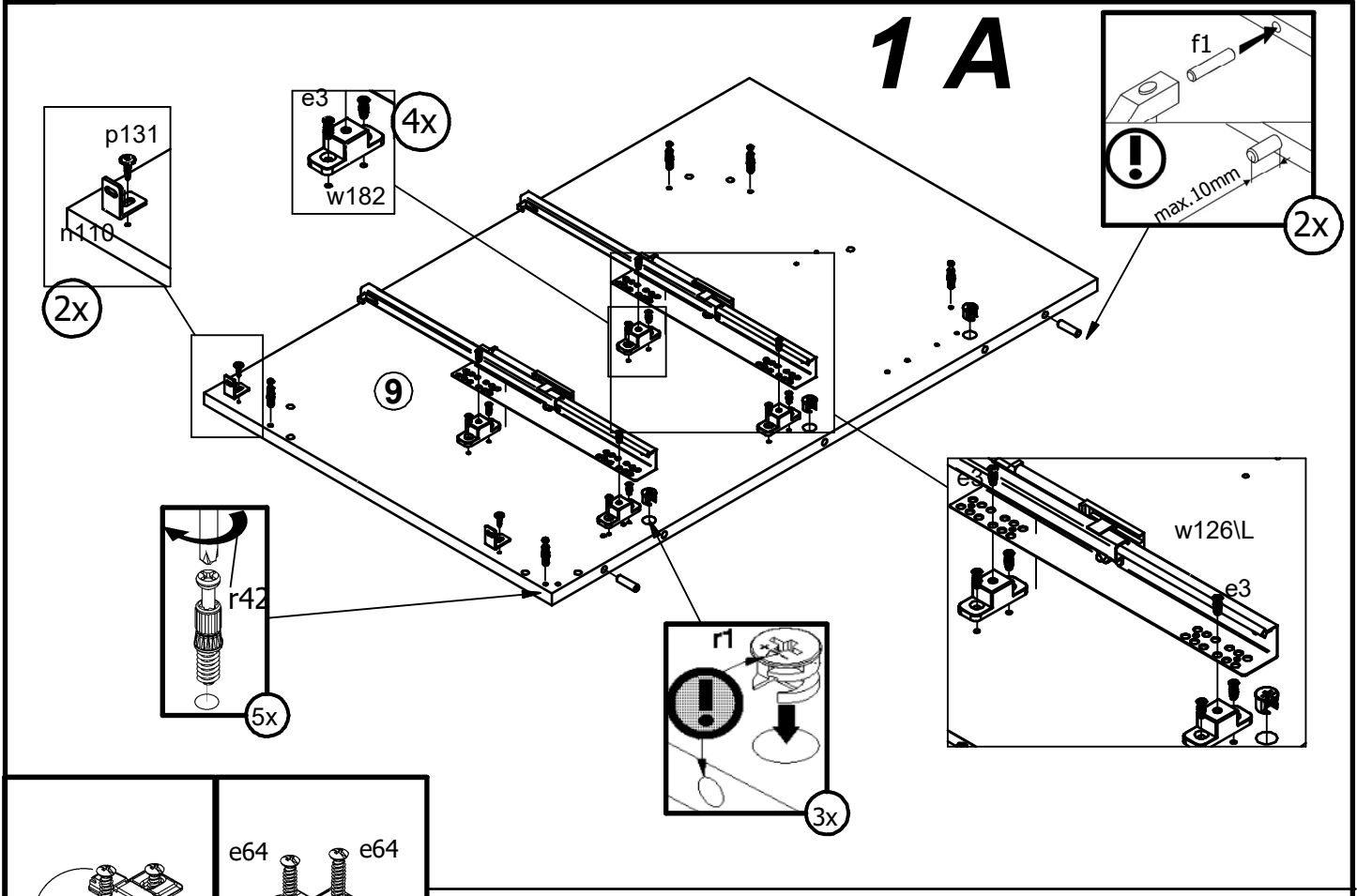


2x  a204	2x  a203
26x  Ø15x12 mm #16 r1	12x  Ø12x10,5 mm #12 r15
8x  Ø3,5x15 mm p51	26x  Ø2,9x16 mm p55
4x  k1	36x  Ø4x16 mm p69
12x  Ø6,5x40 mm f25	10x  M4x12 mm j3
4x  Ø6x26 mm e64	20x  Ø4x16 mm p131
6x  c453	37x  Ø8x30 mm f1
1x  z1	6x  Ø7x50 mm e1
4x  b90	2x  h=11 mm b95

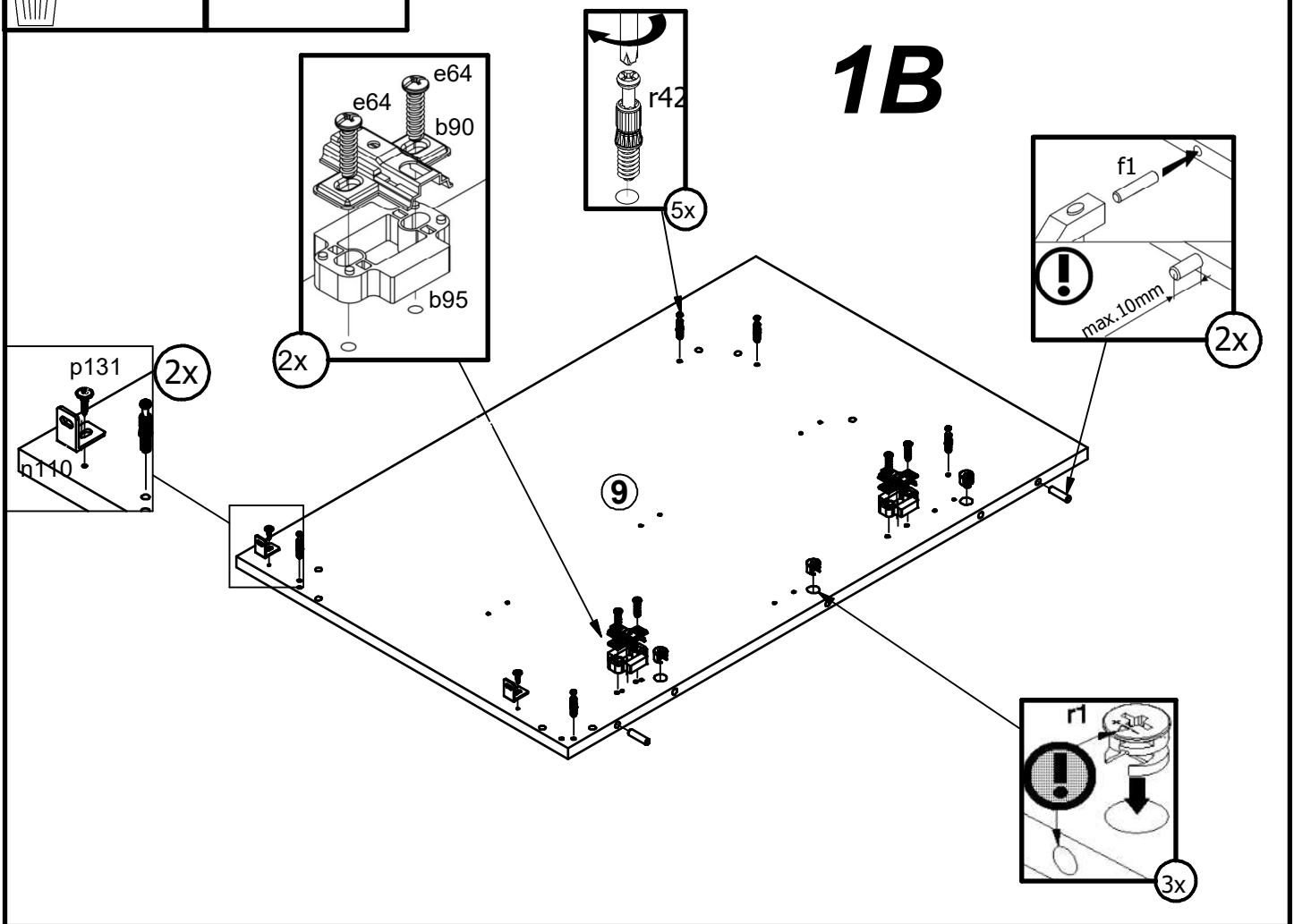
3x  450mm w126L	3x  450mm w126P	6x  w182	4x  Ø35x62x40x10 s71
9x  k6611	9x  k6615	9x  k6616	4x  k6618



# 1 A

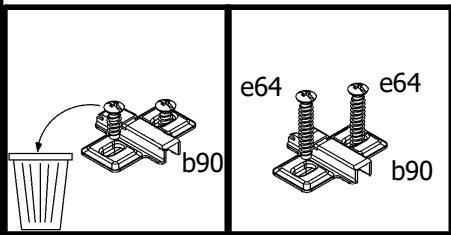
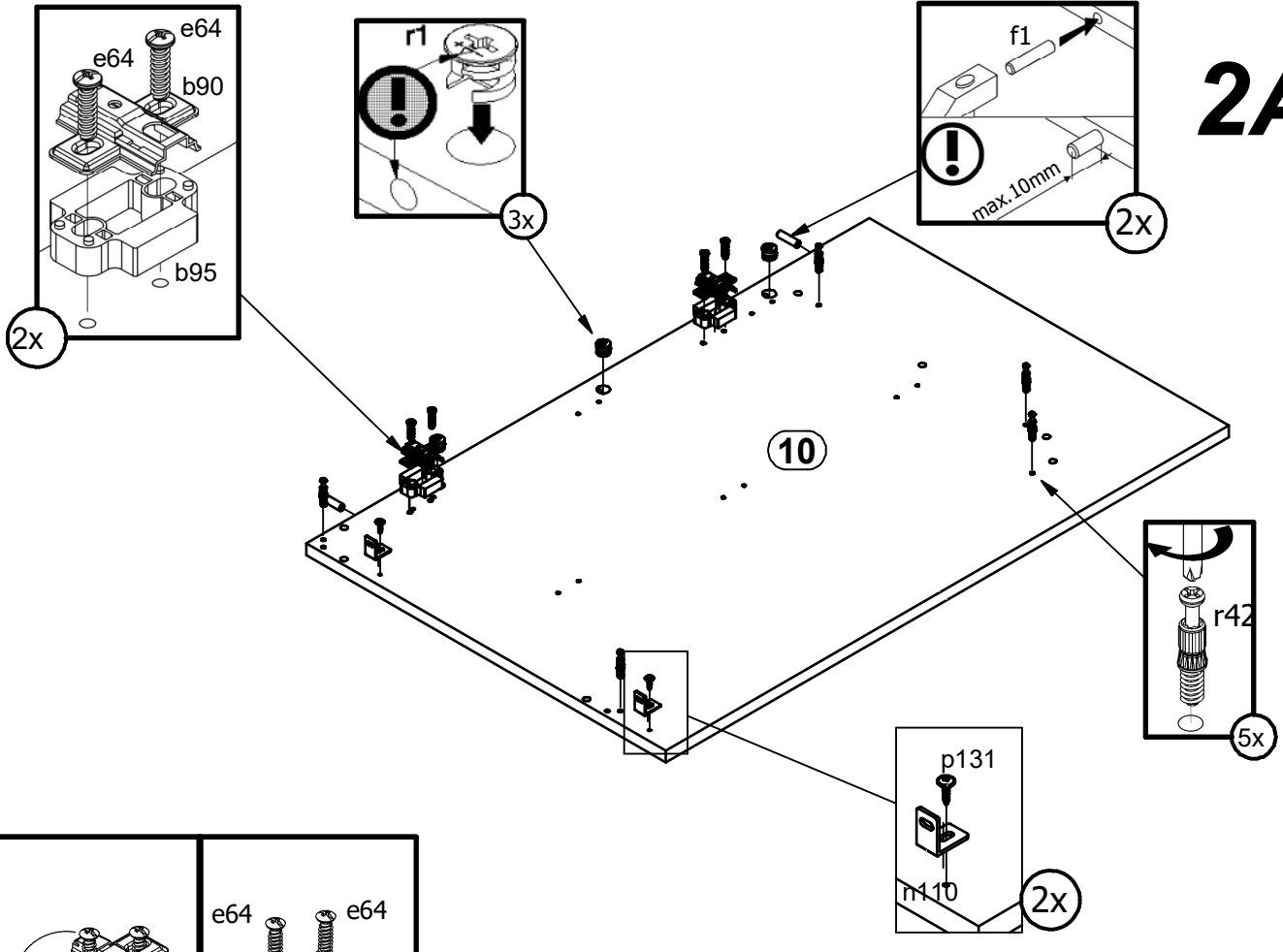


# 1 B

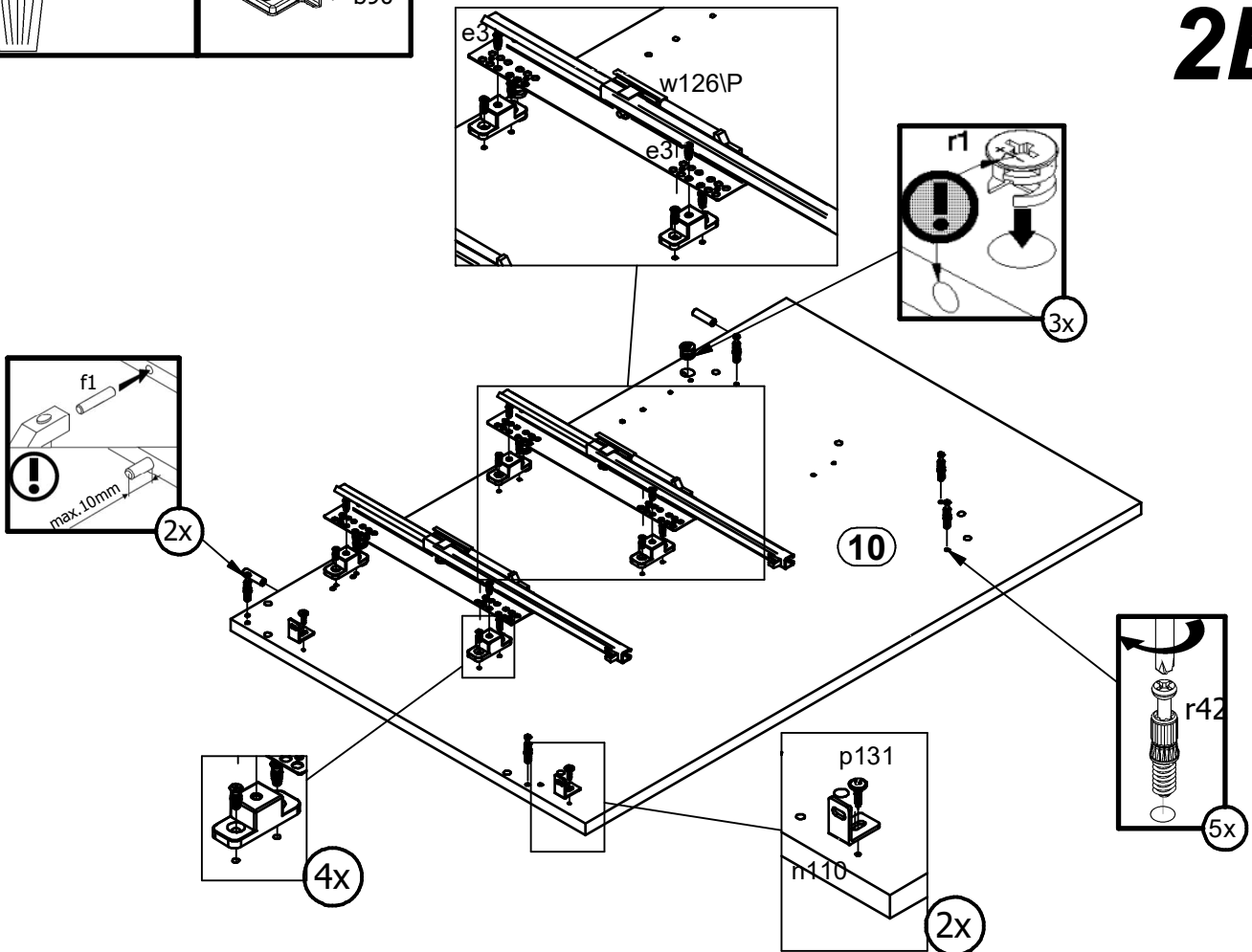




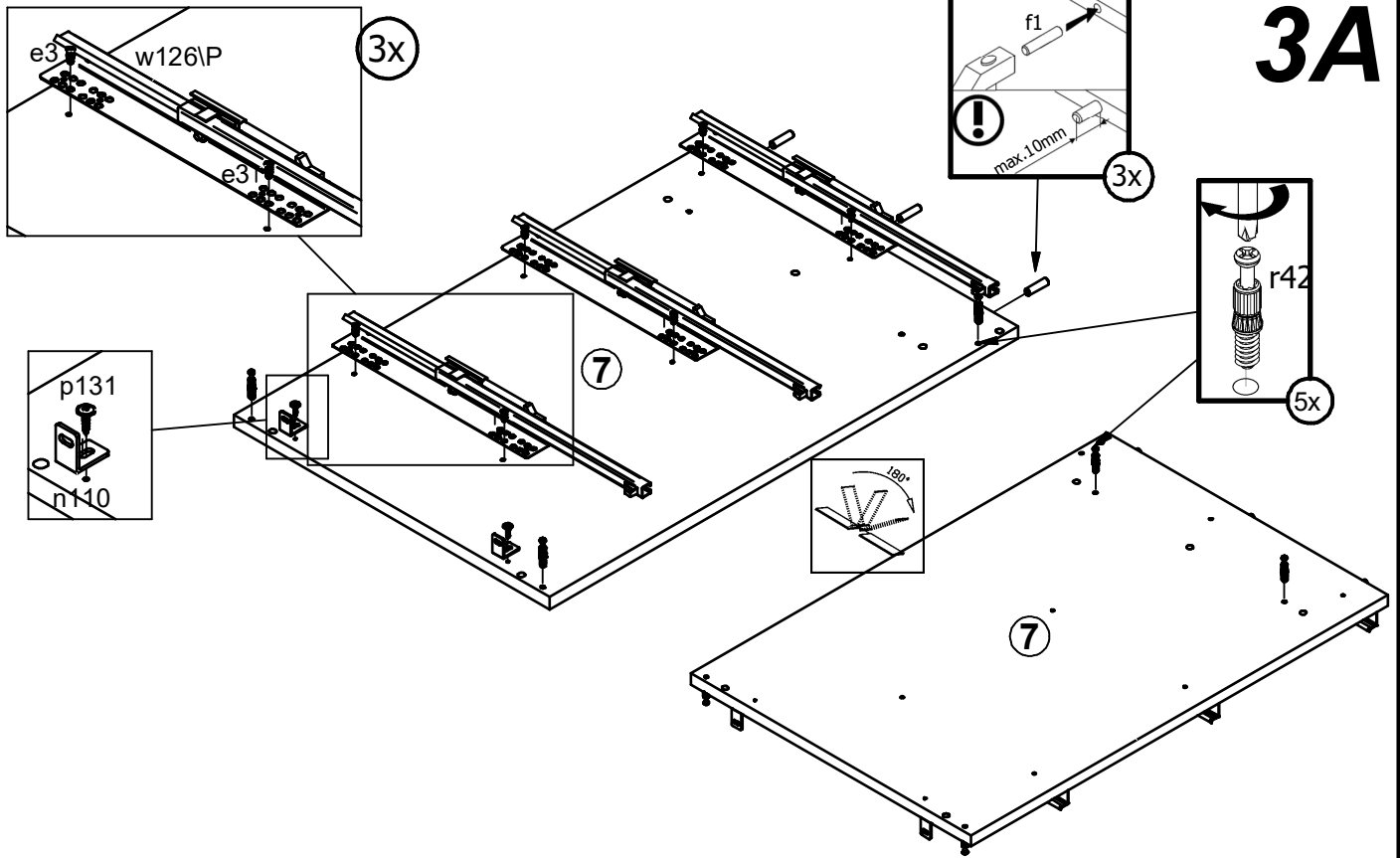
2A



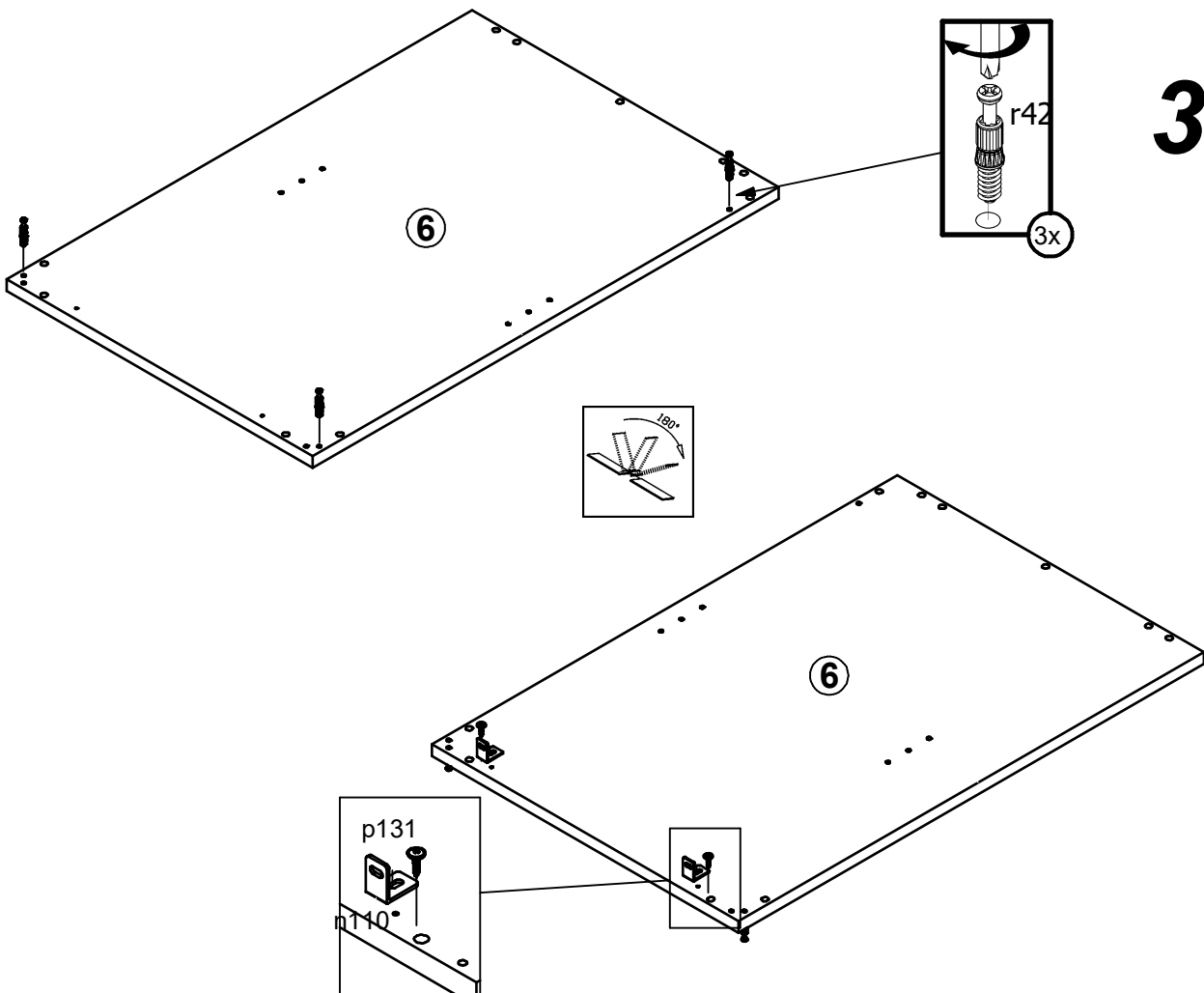
2B



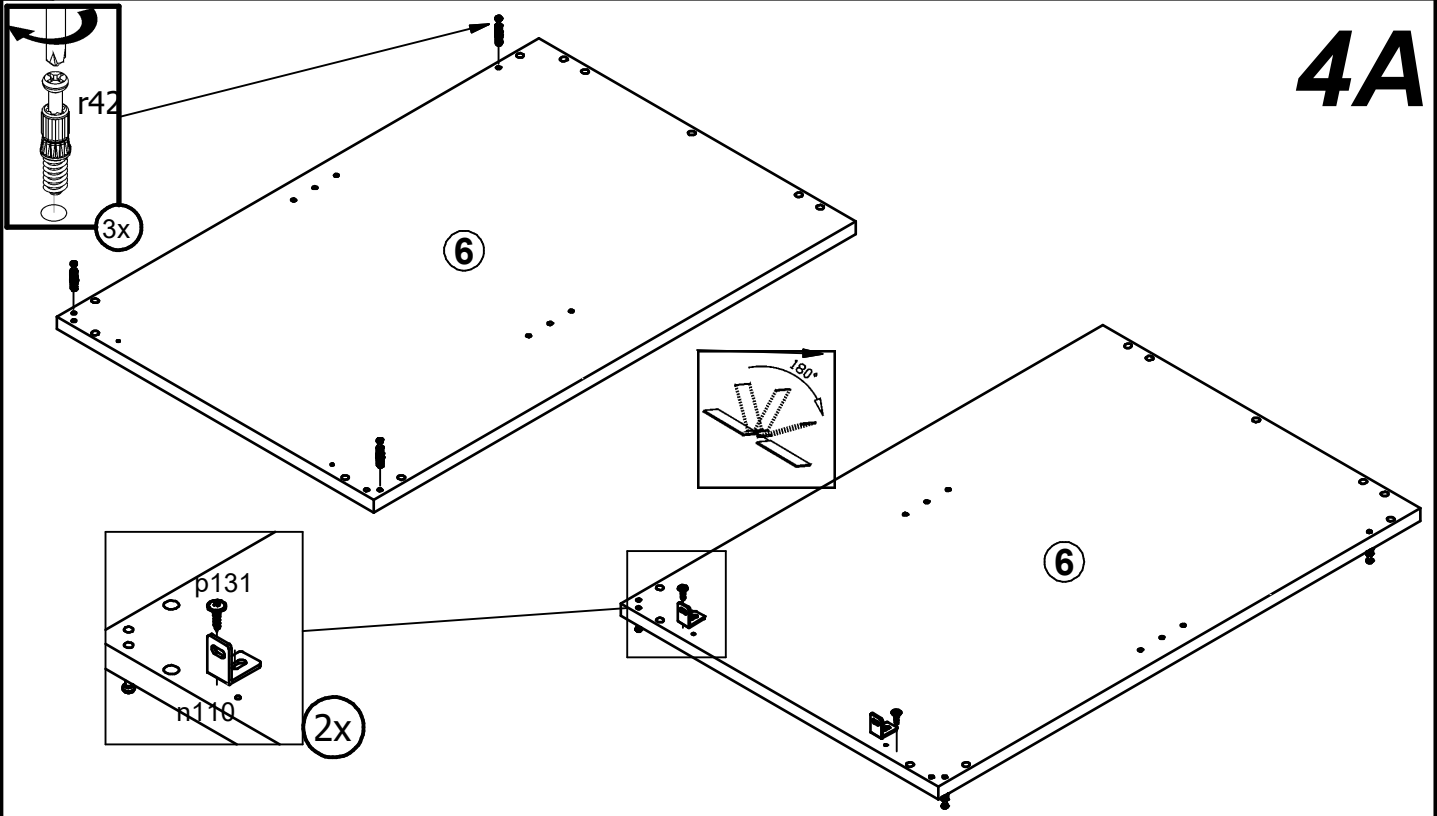
3A



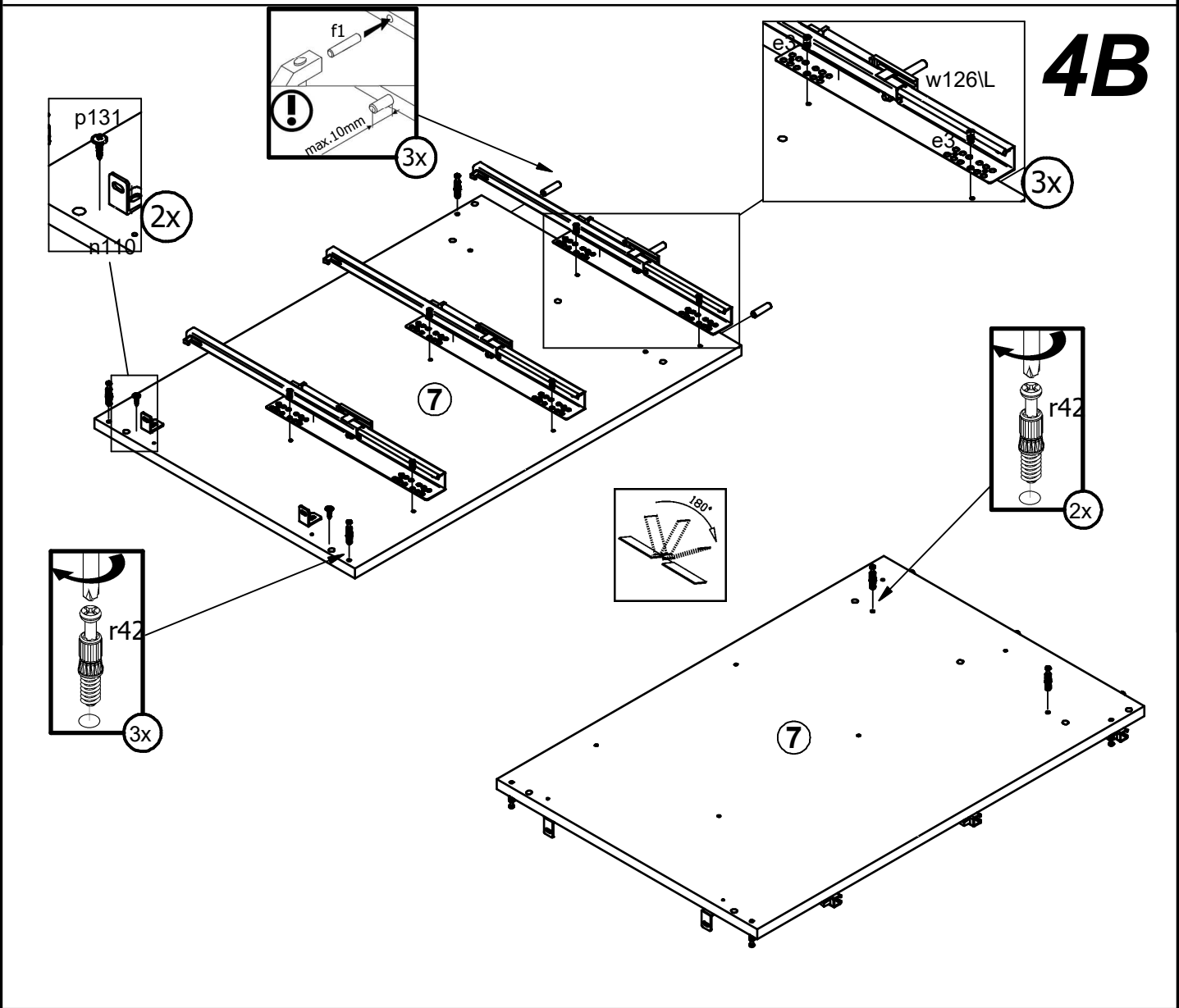
3B



4A

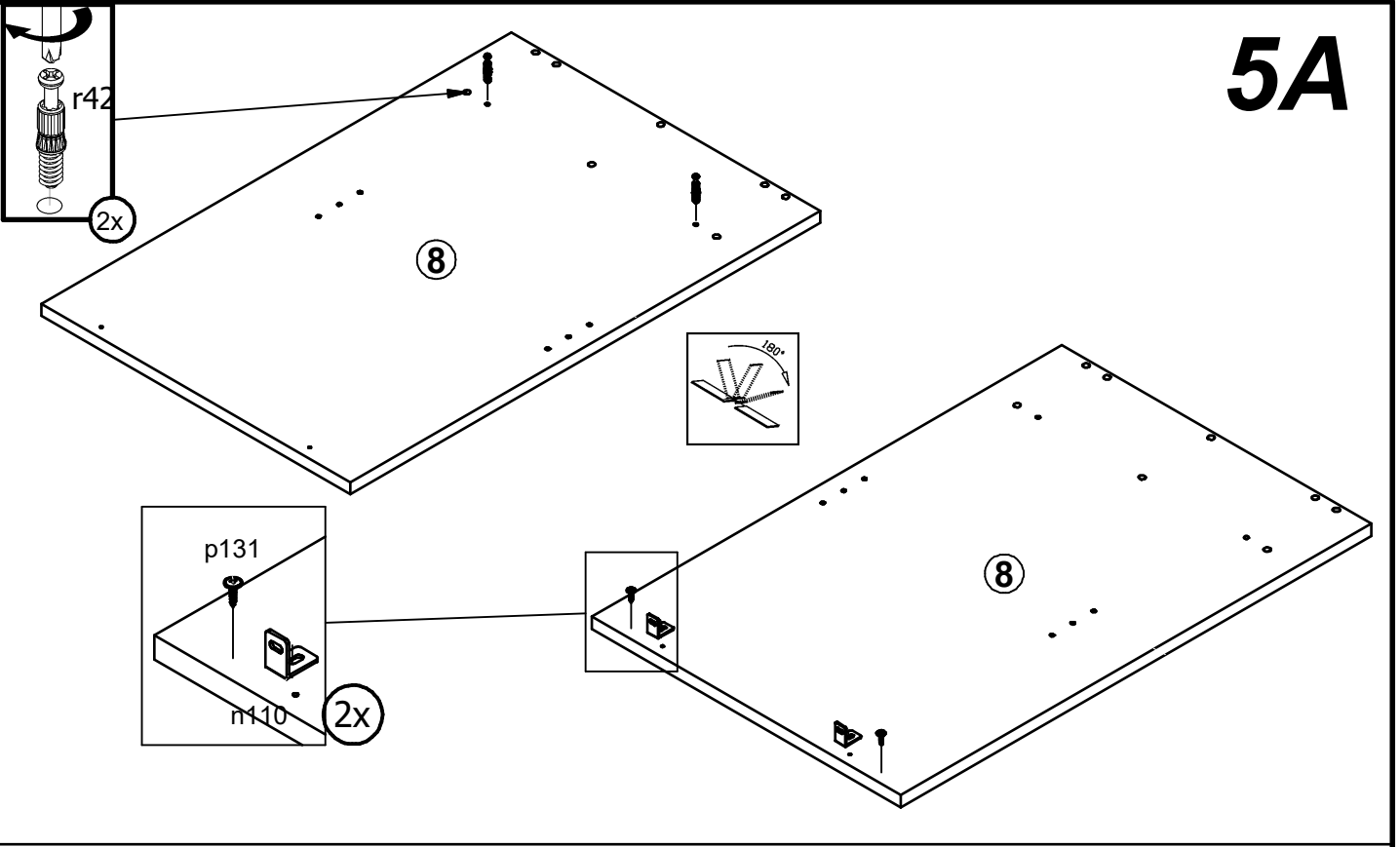
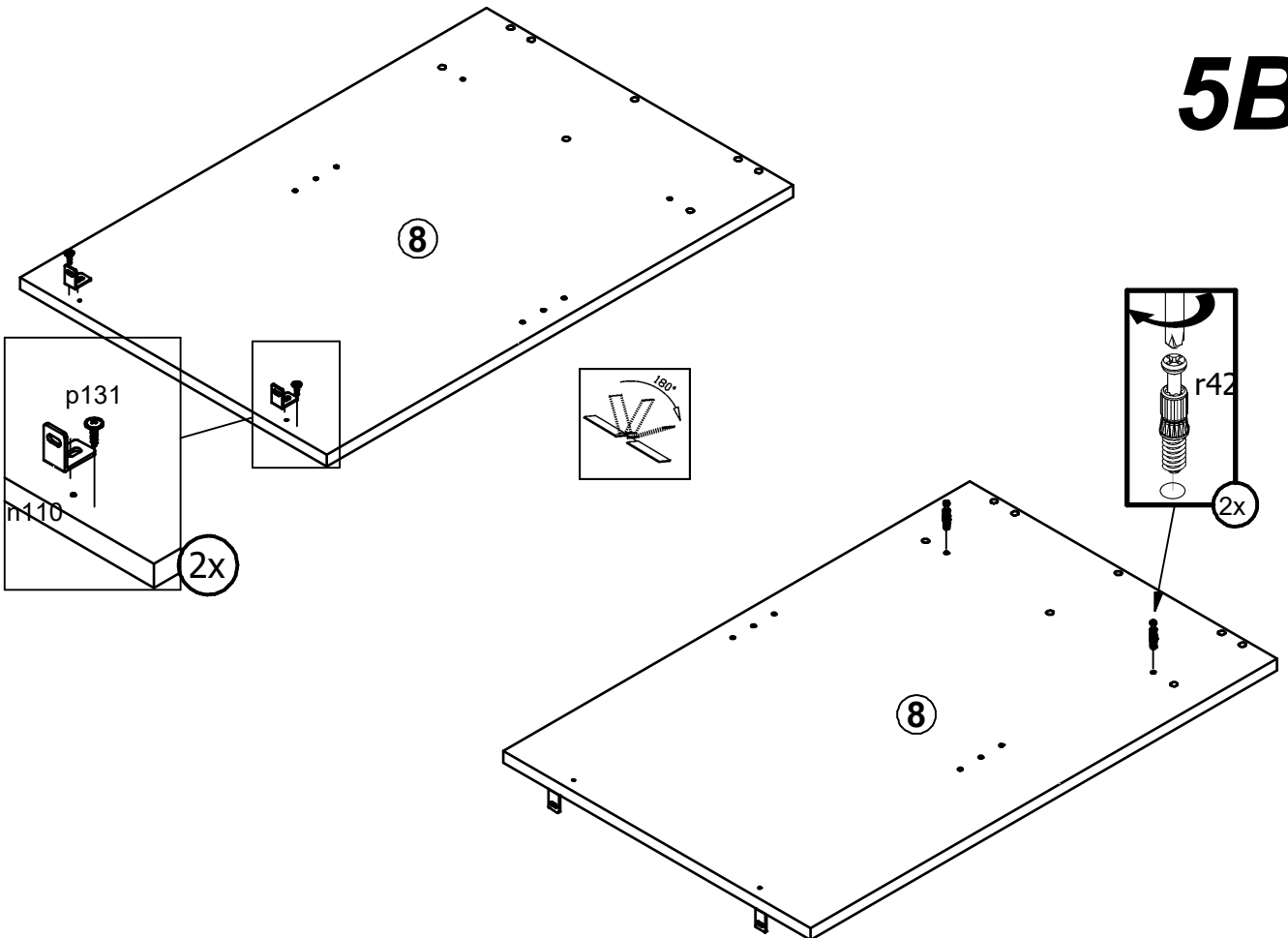


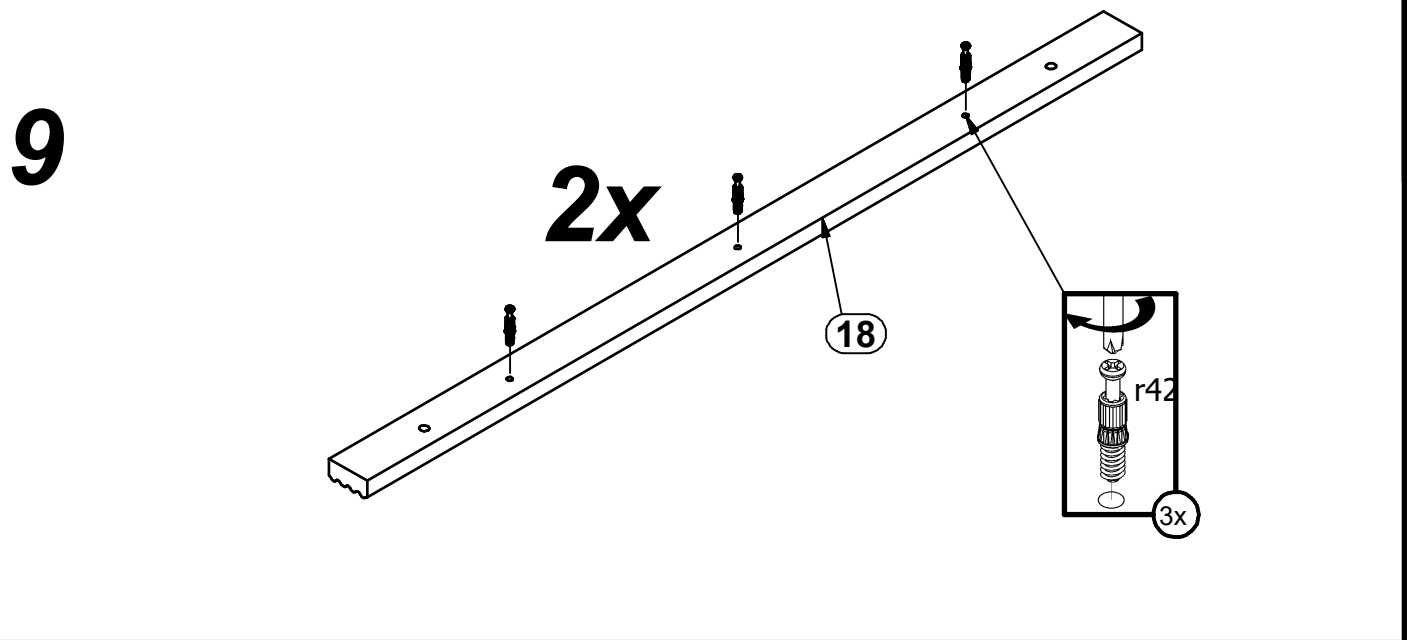
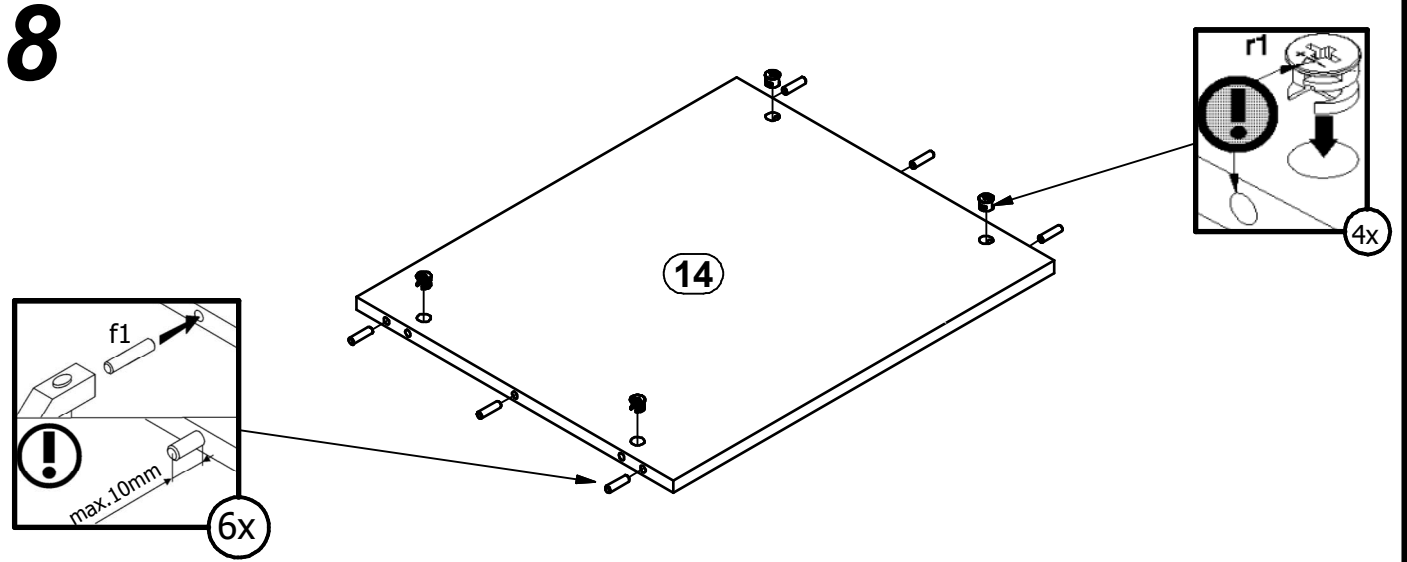
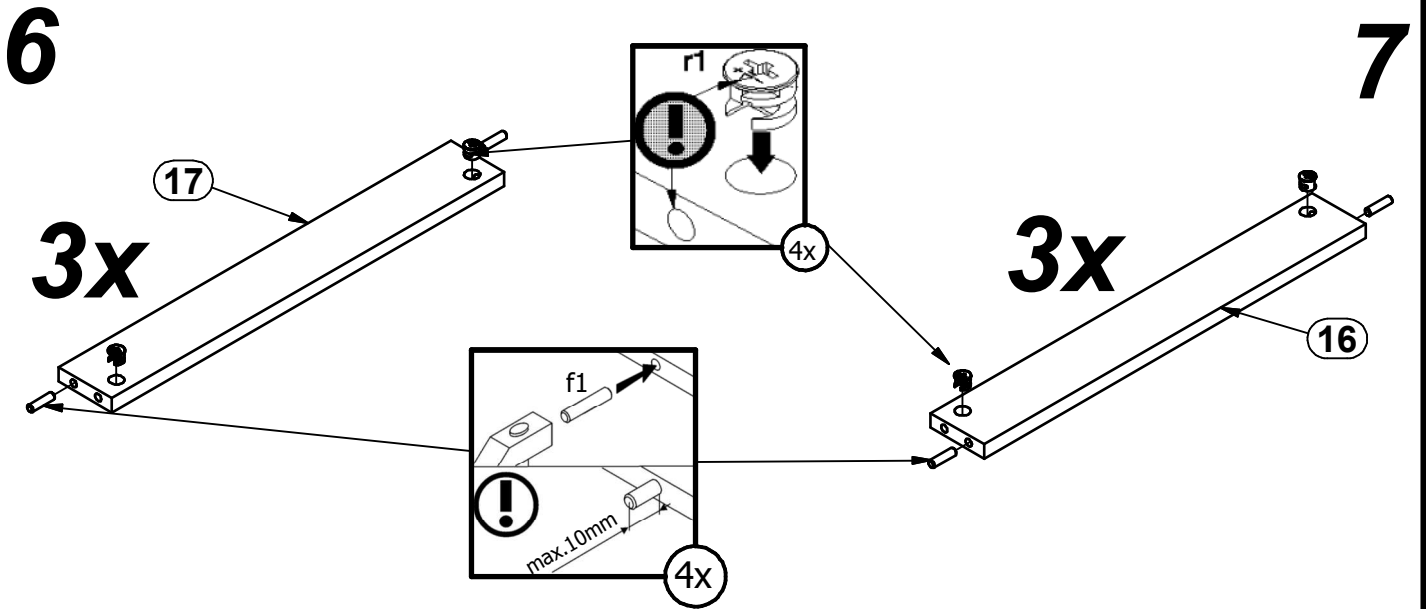
4B



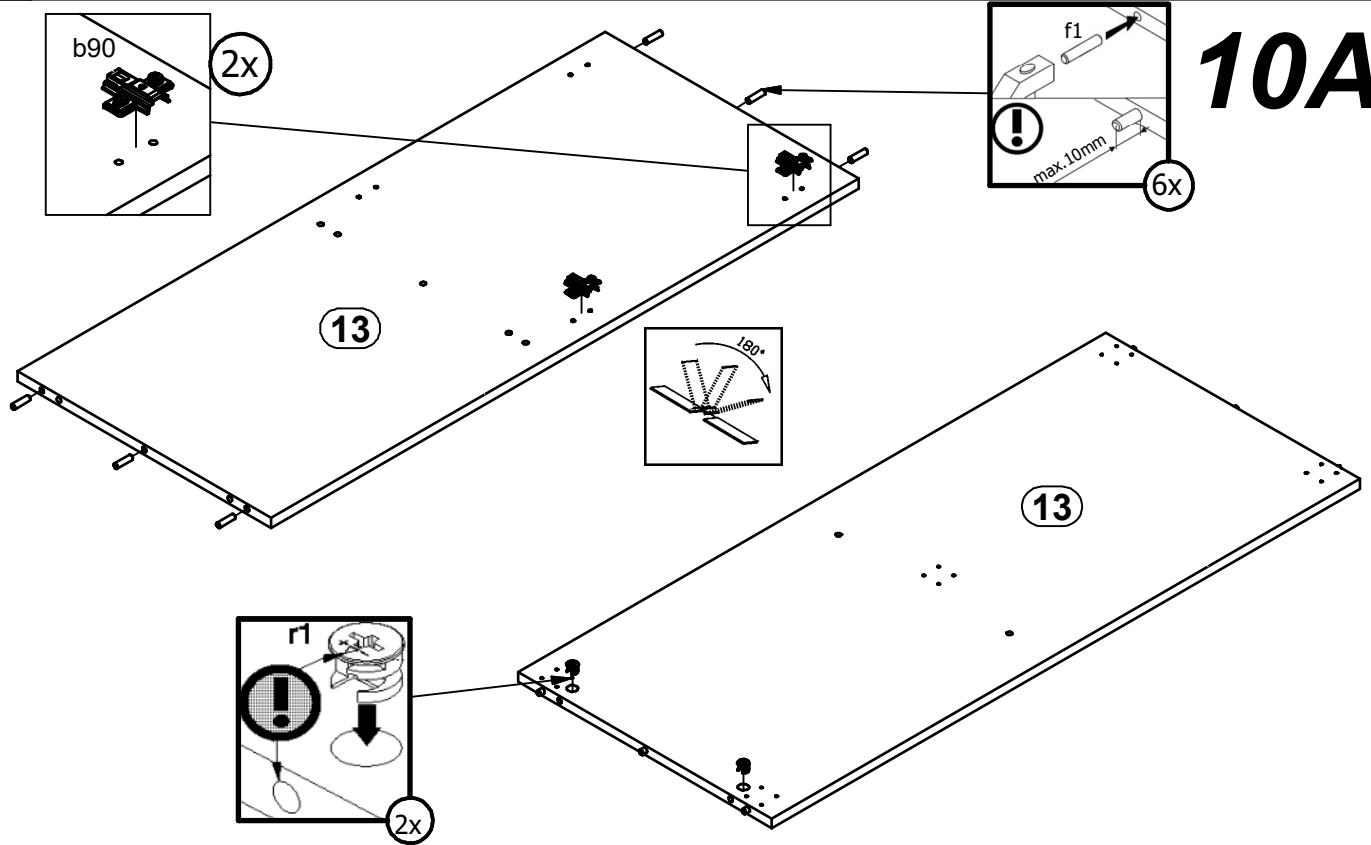
**A****S538-SFK2D3S\_I****84-881---, 84-882---**

9 / 28

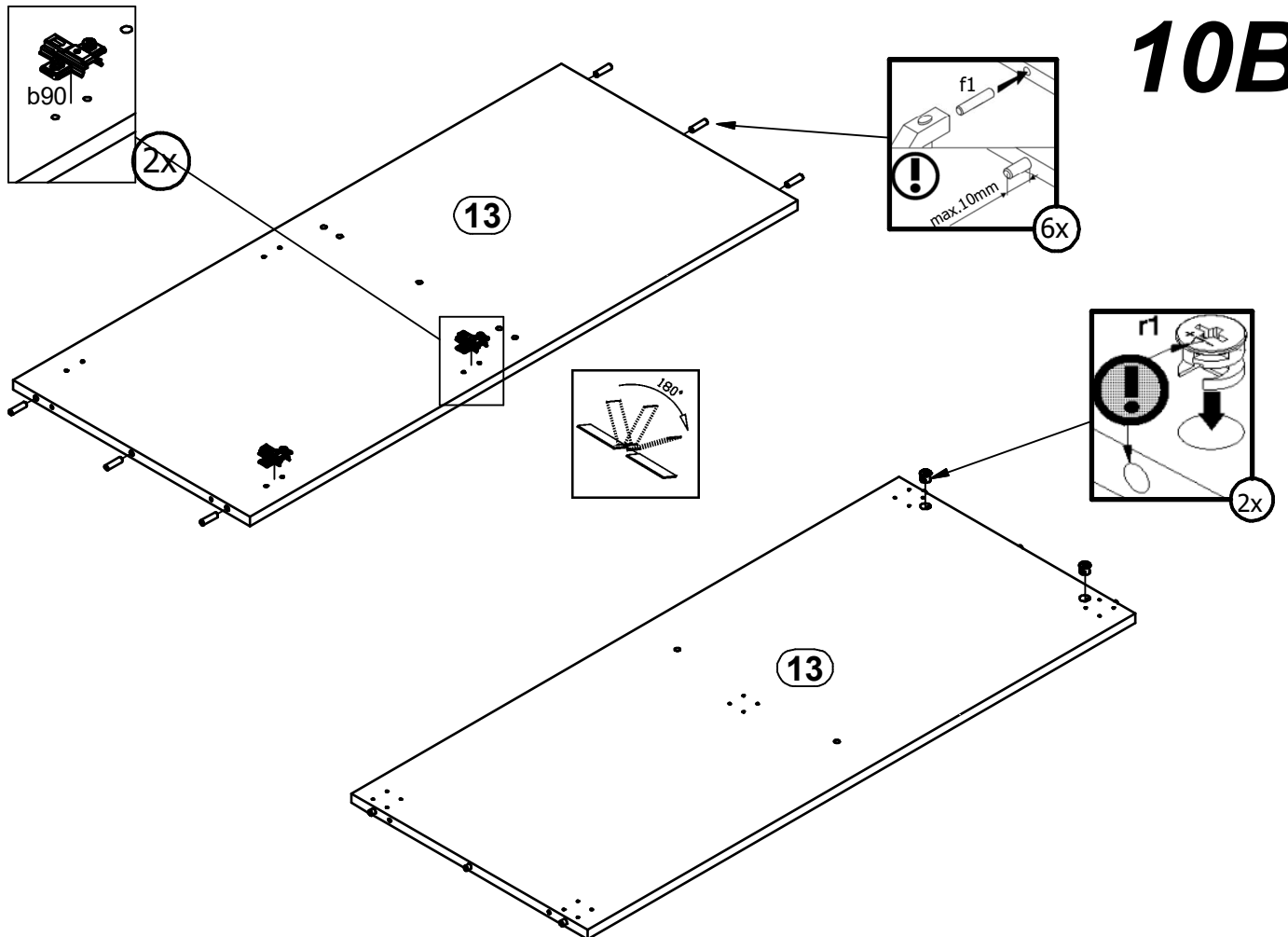
**5A****5B**



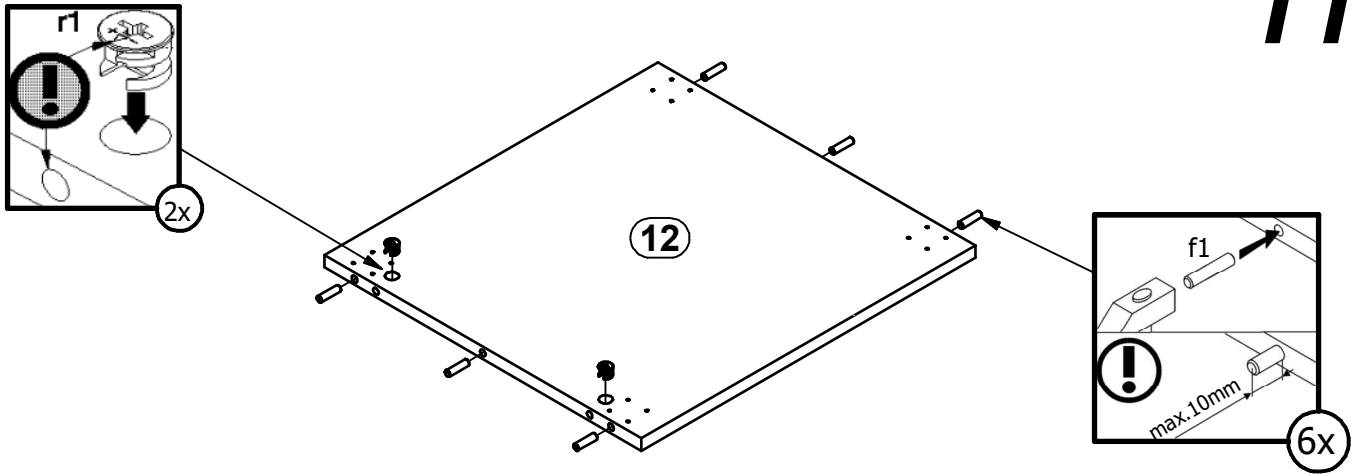
# 10A



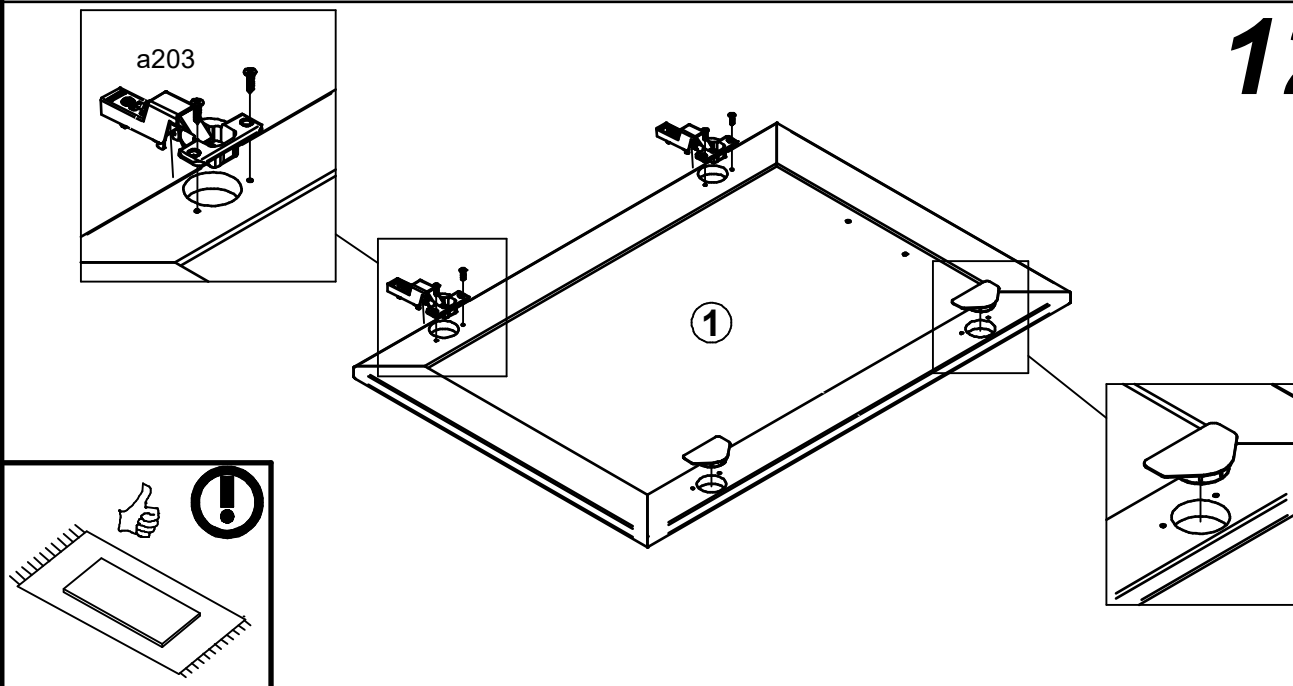
# 10B



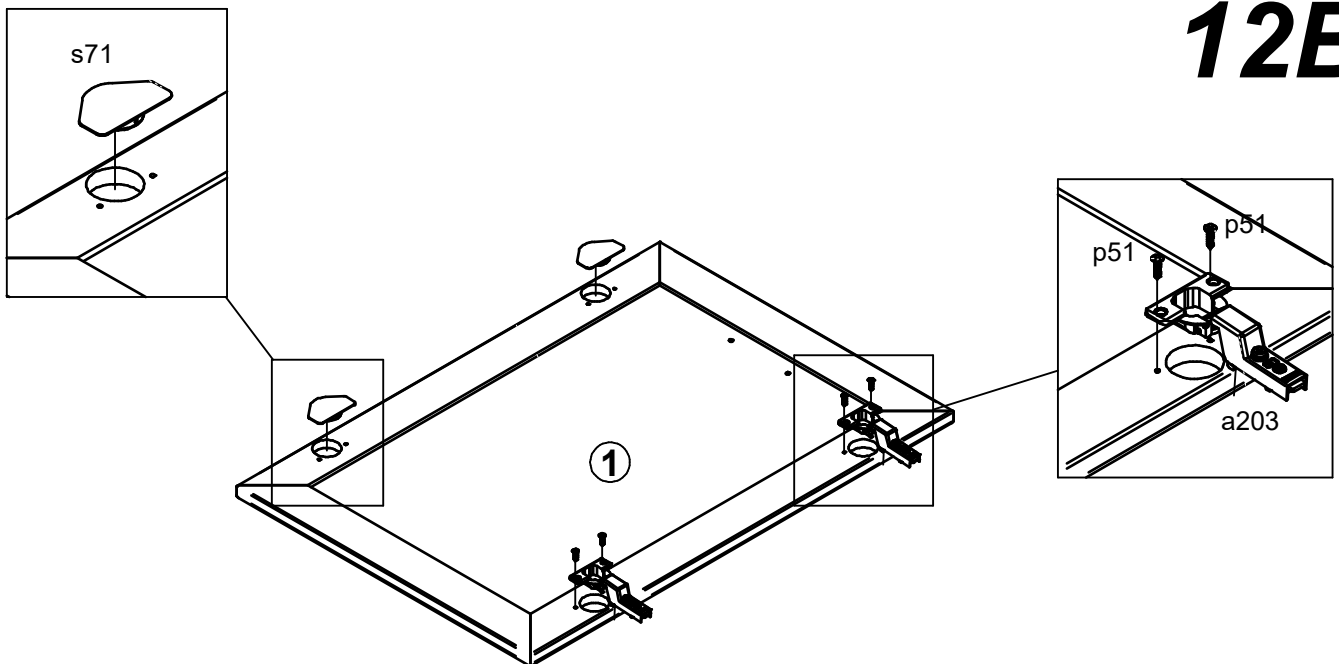
# 11



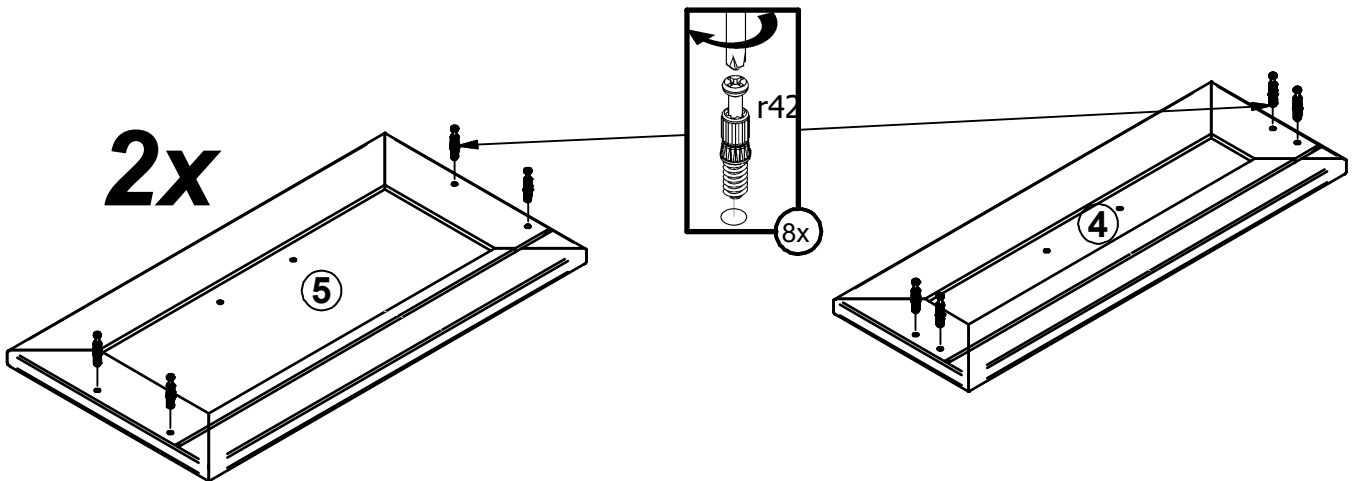
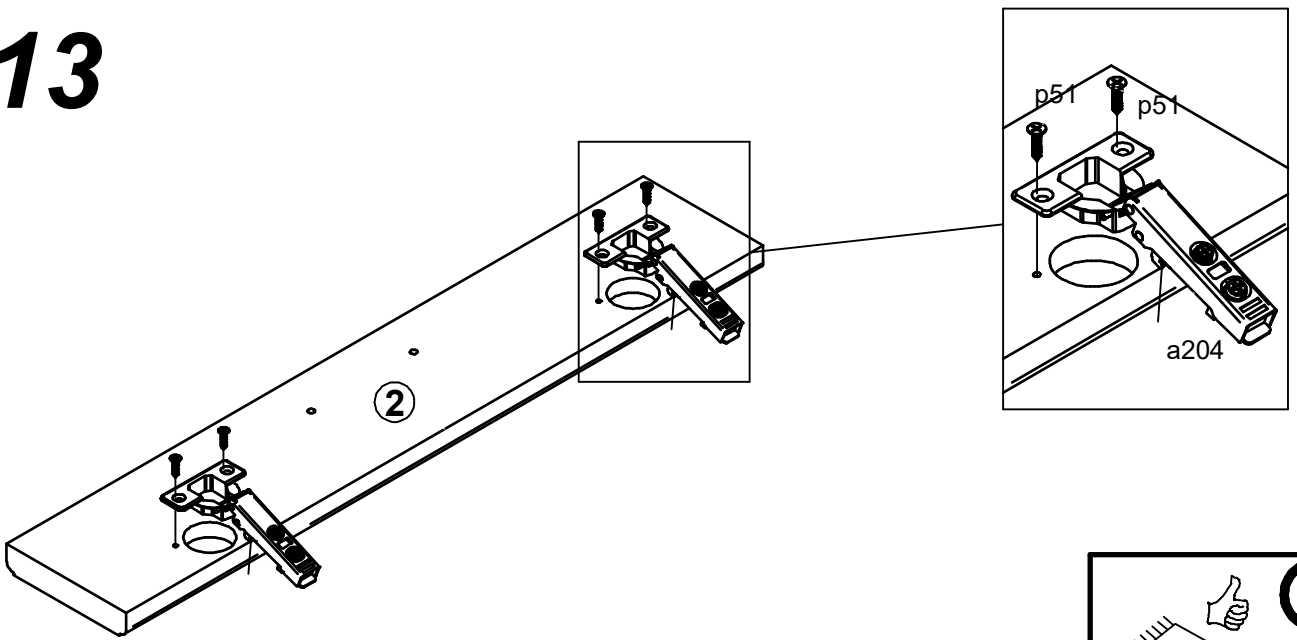
# 12A



# 12B

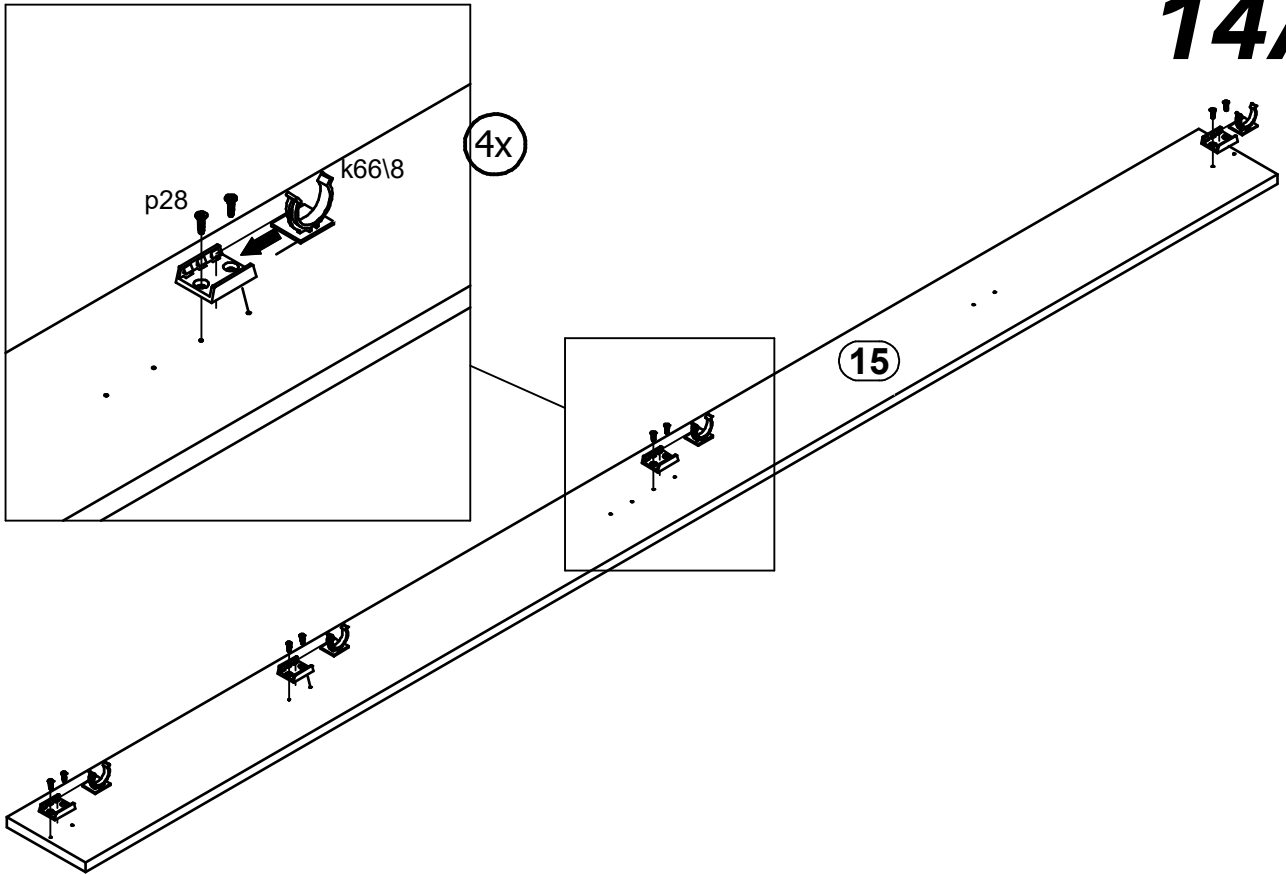


13

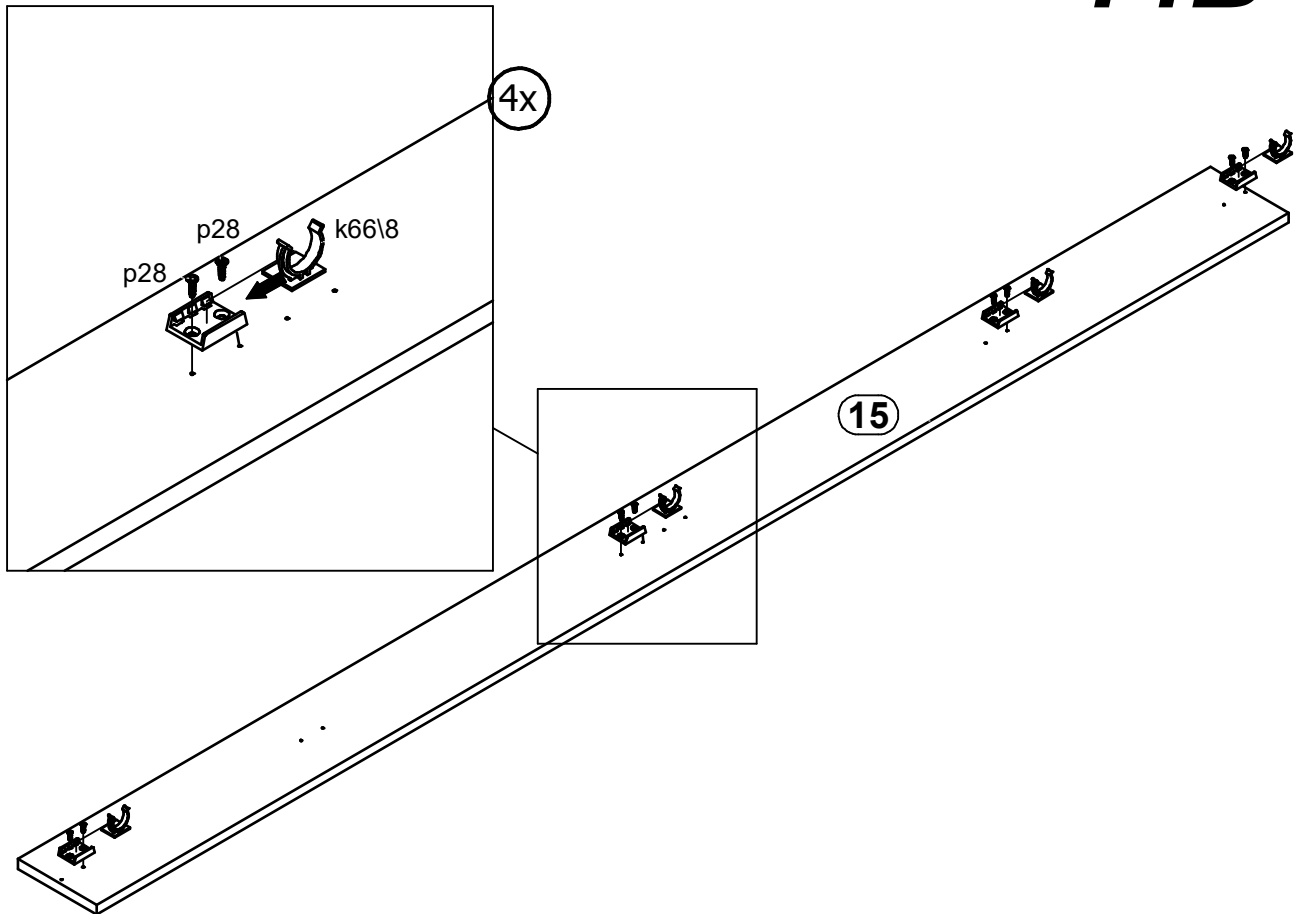




# 14A

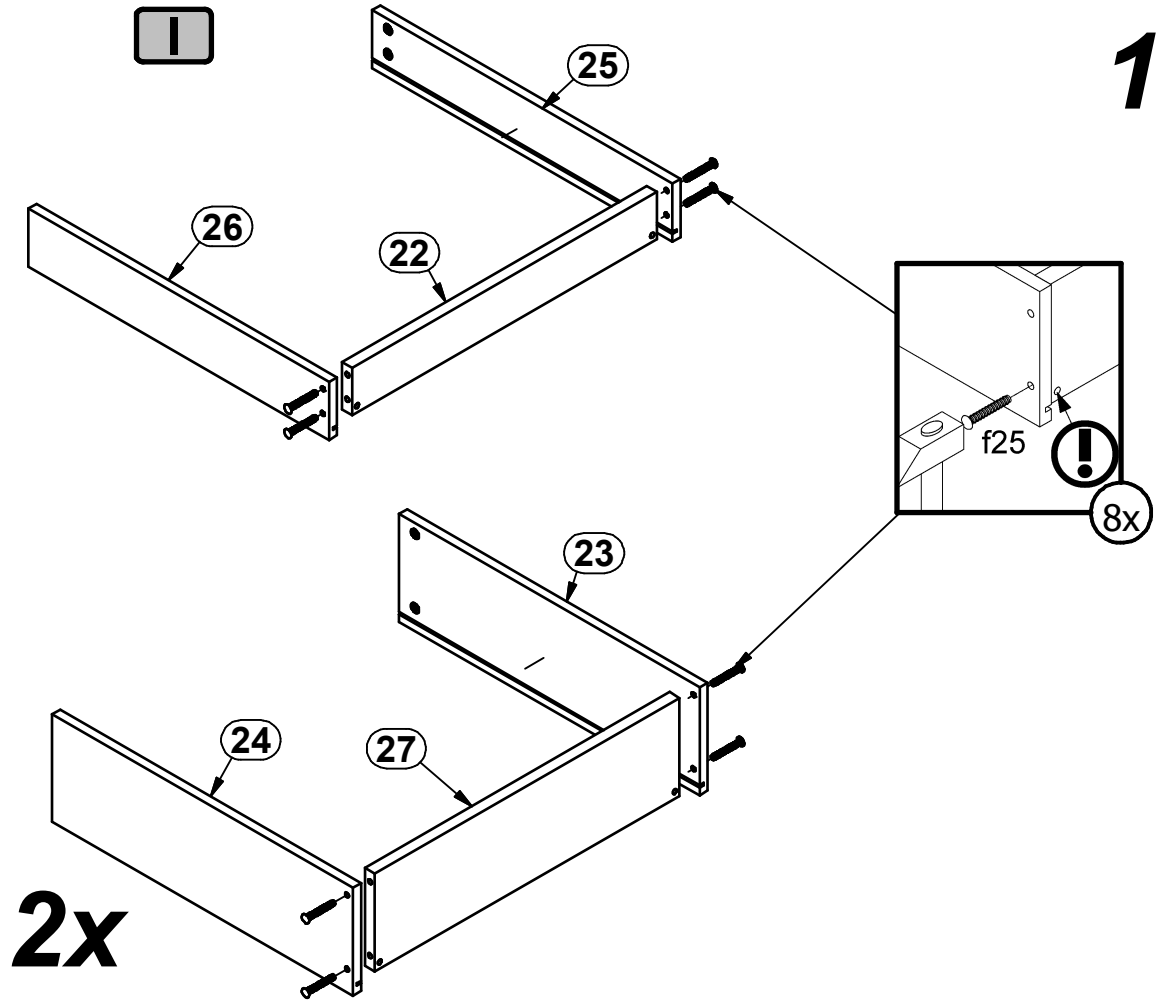


# 14B



I

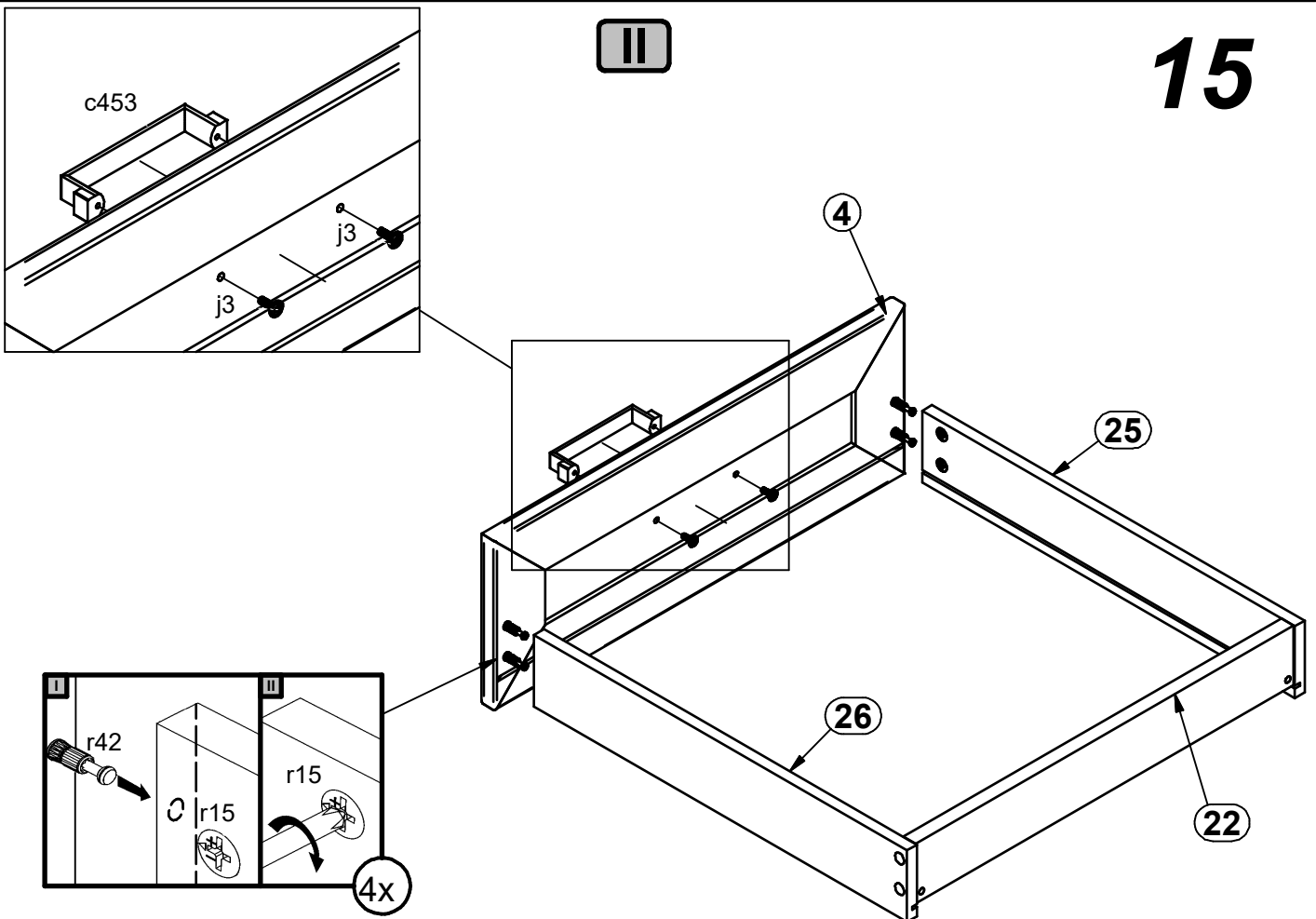
15



2x

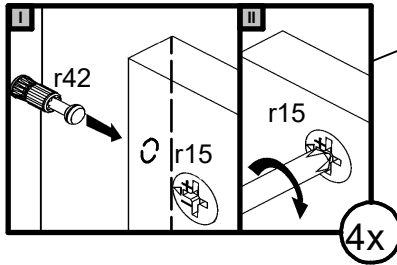
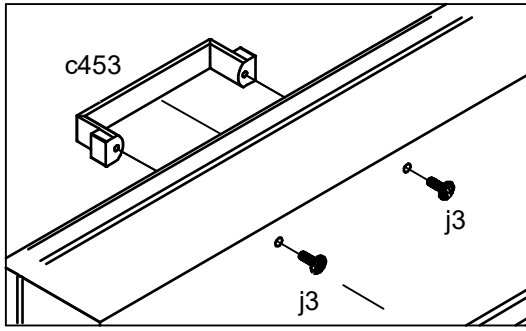
II

15

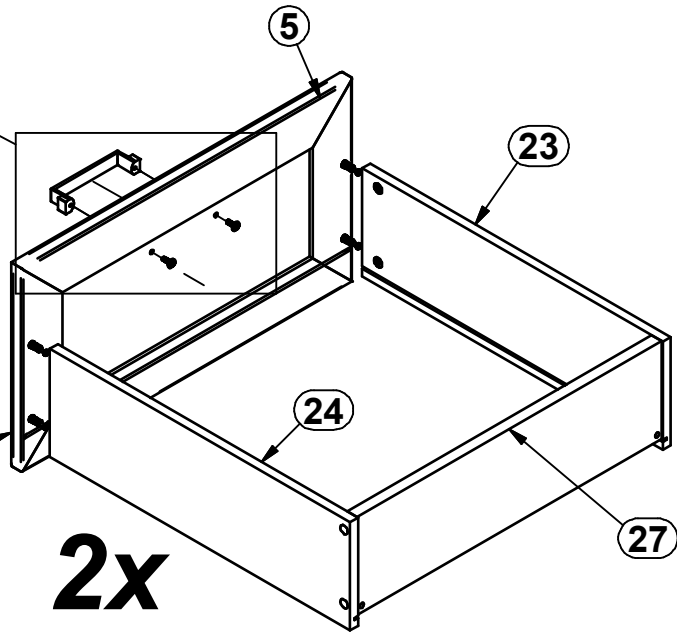


II

15

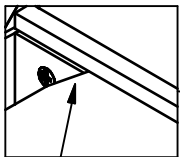


2x

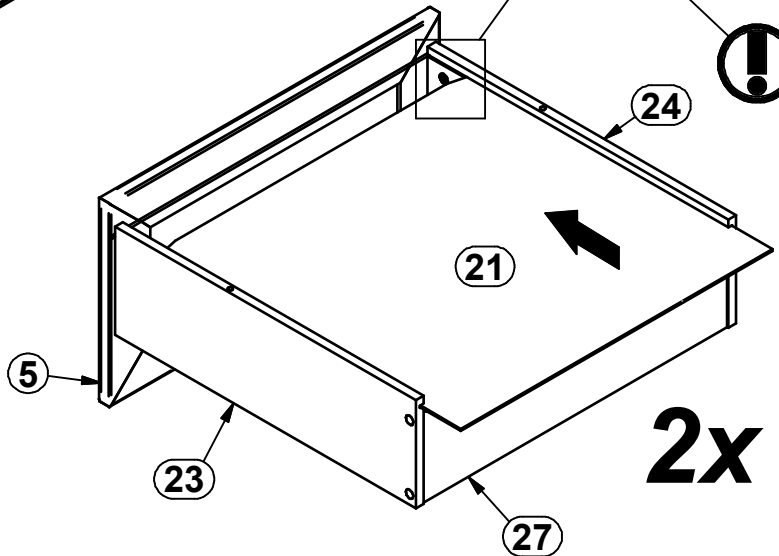
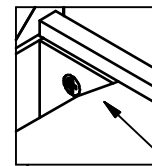
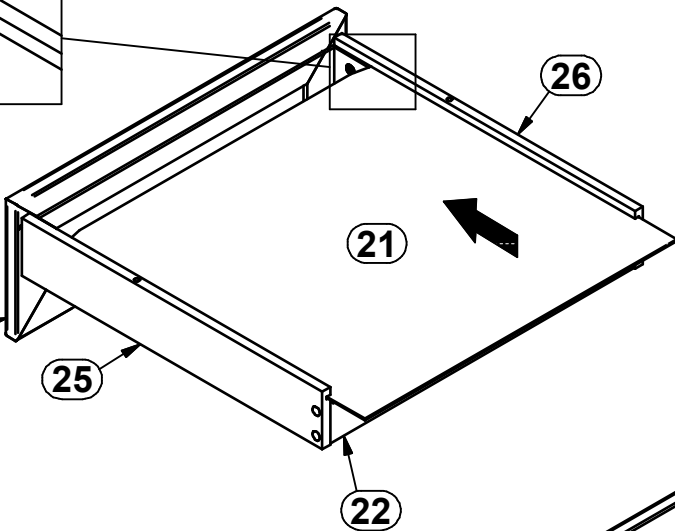


15

III



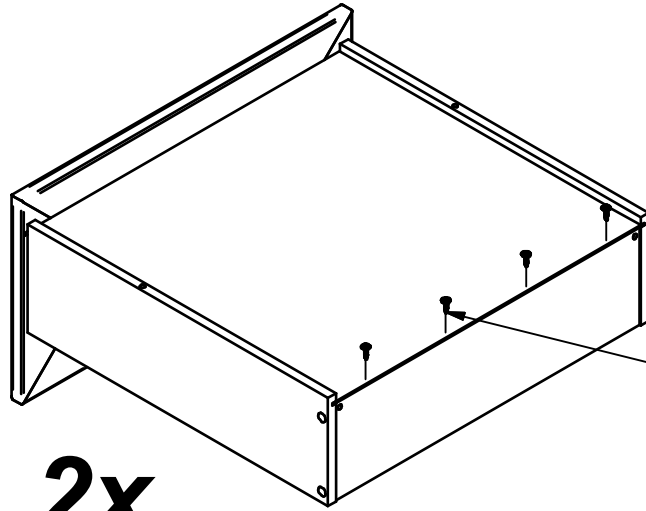
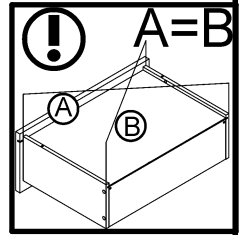
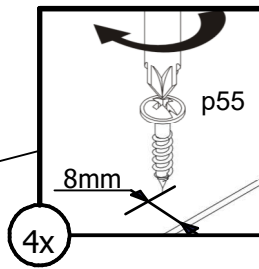
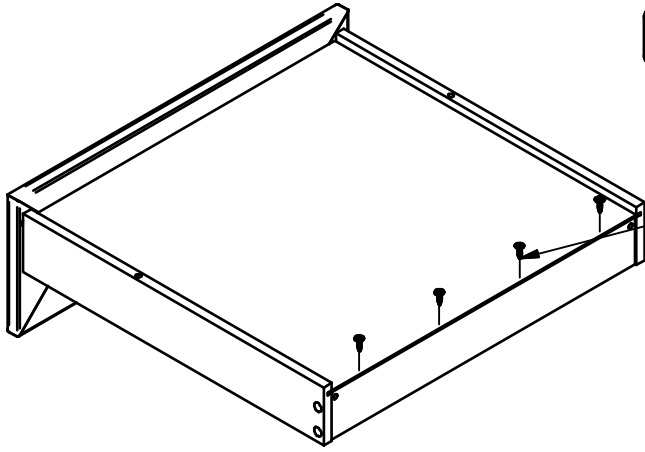
4



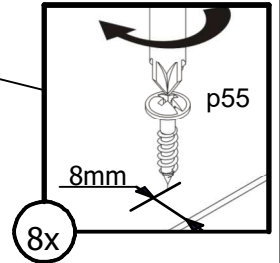
2x

IV

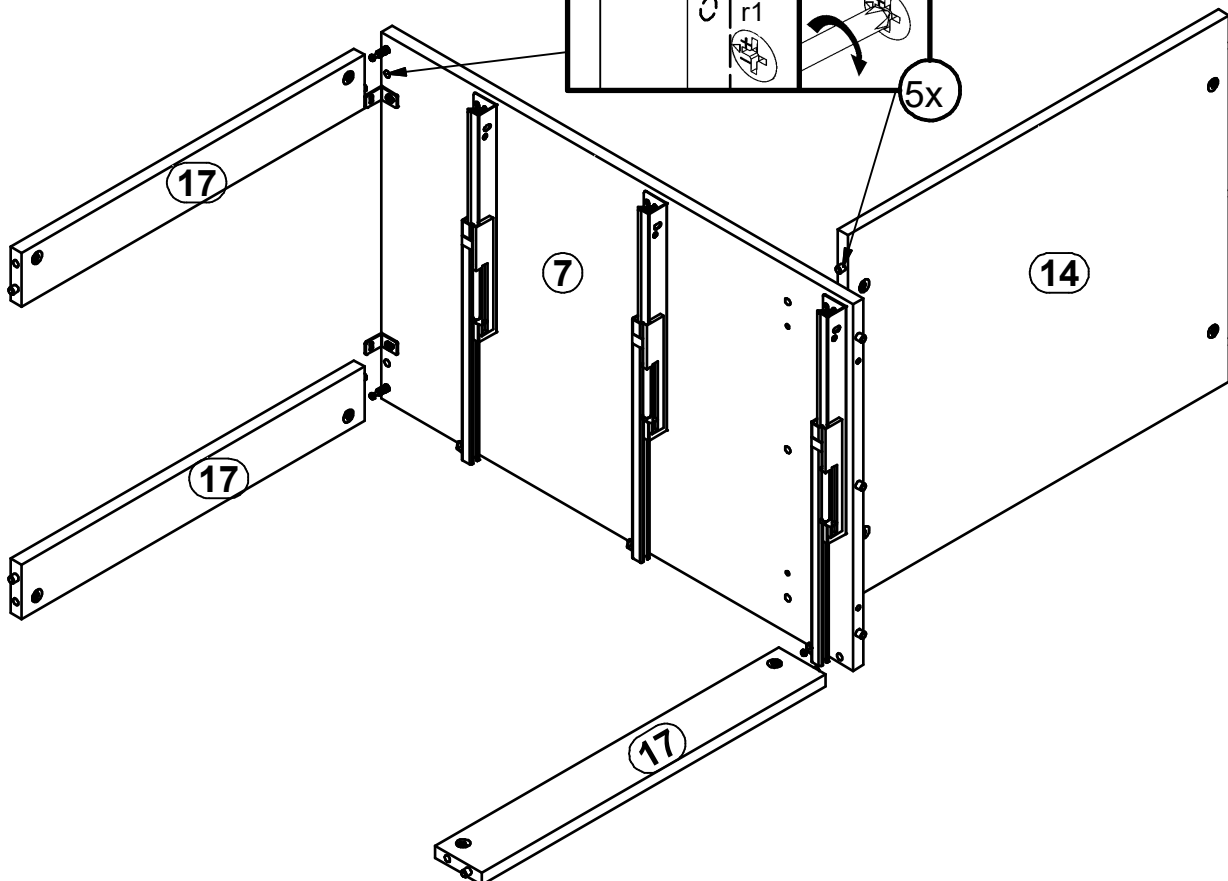
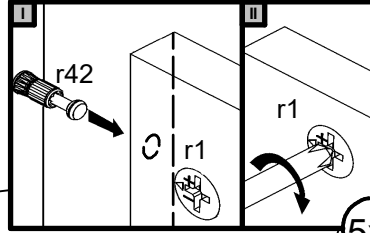
15



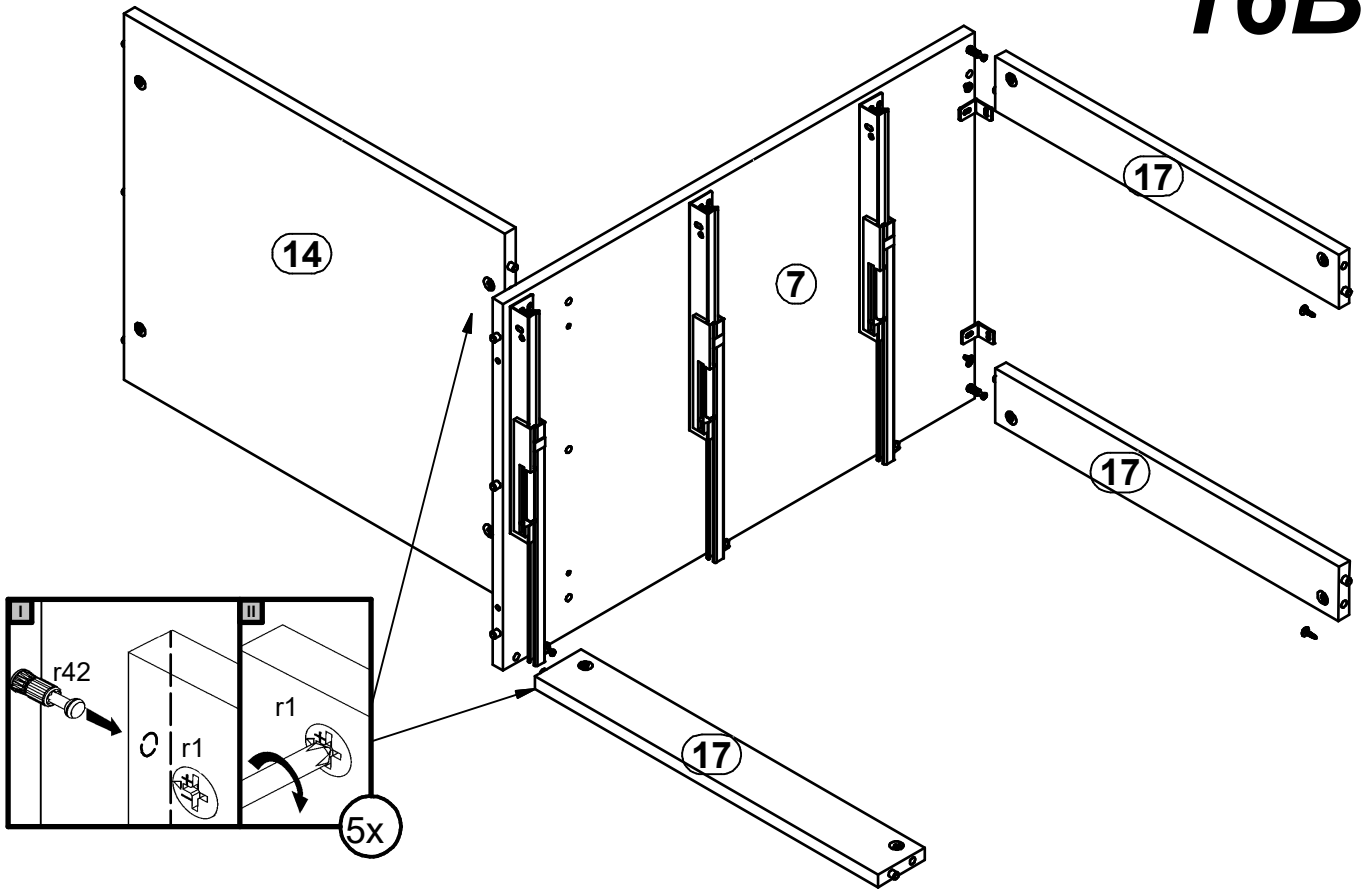
2x



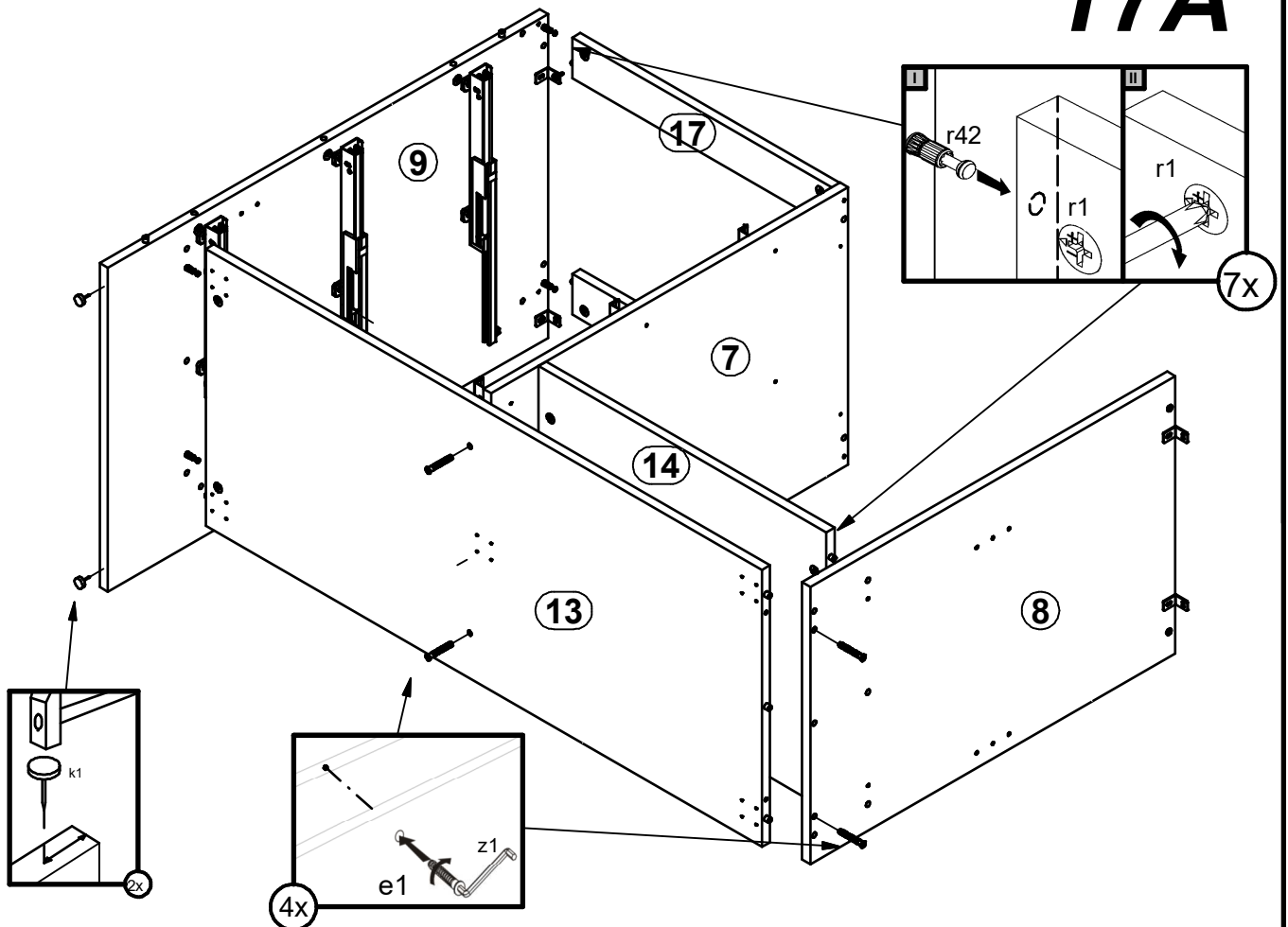
16A



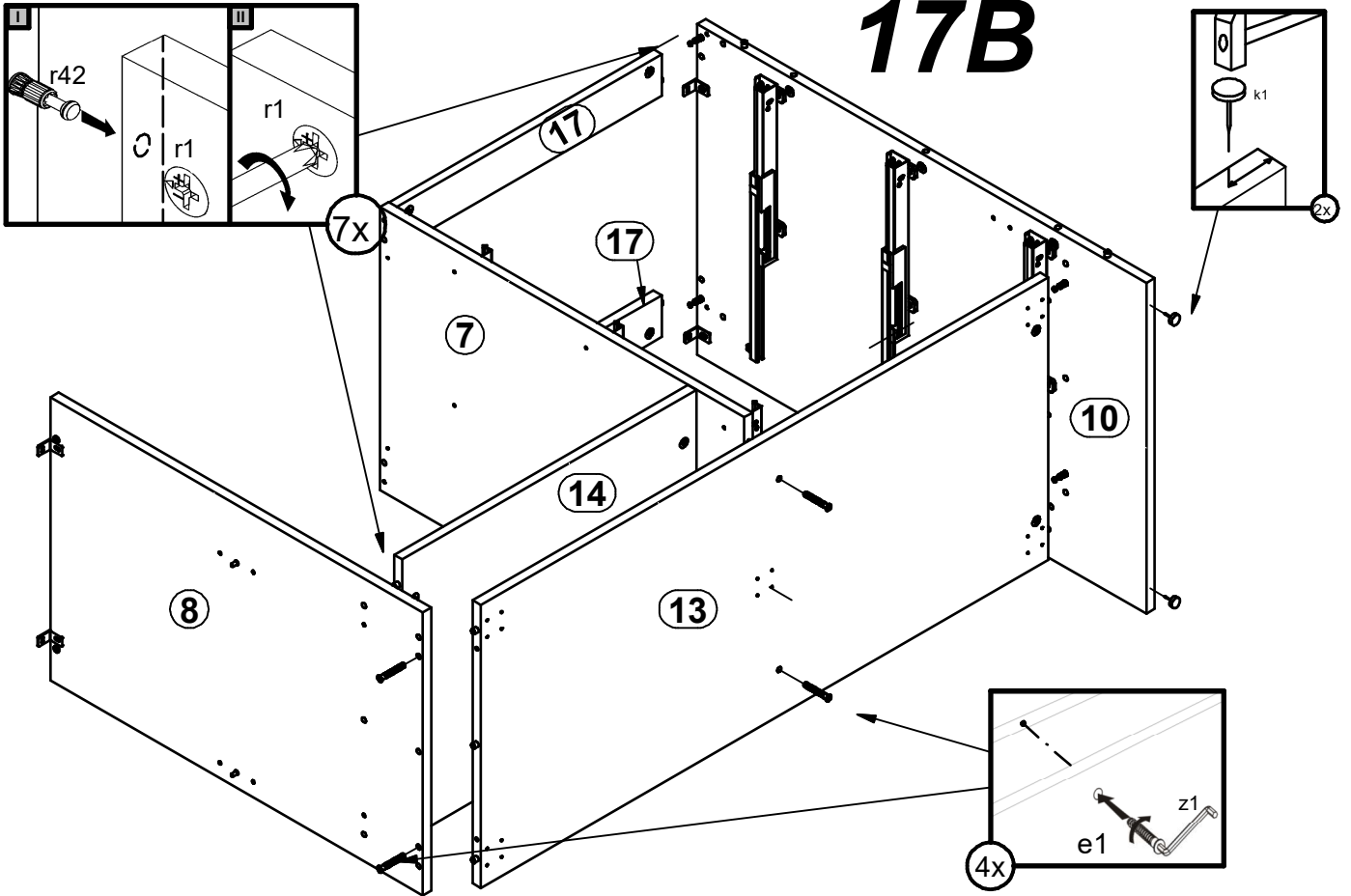
# 16B



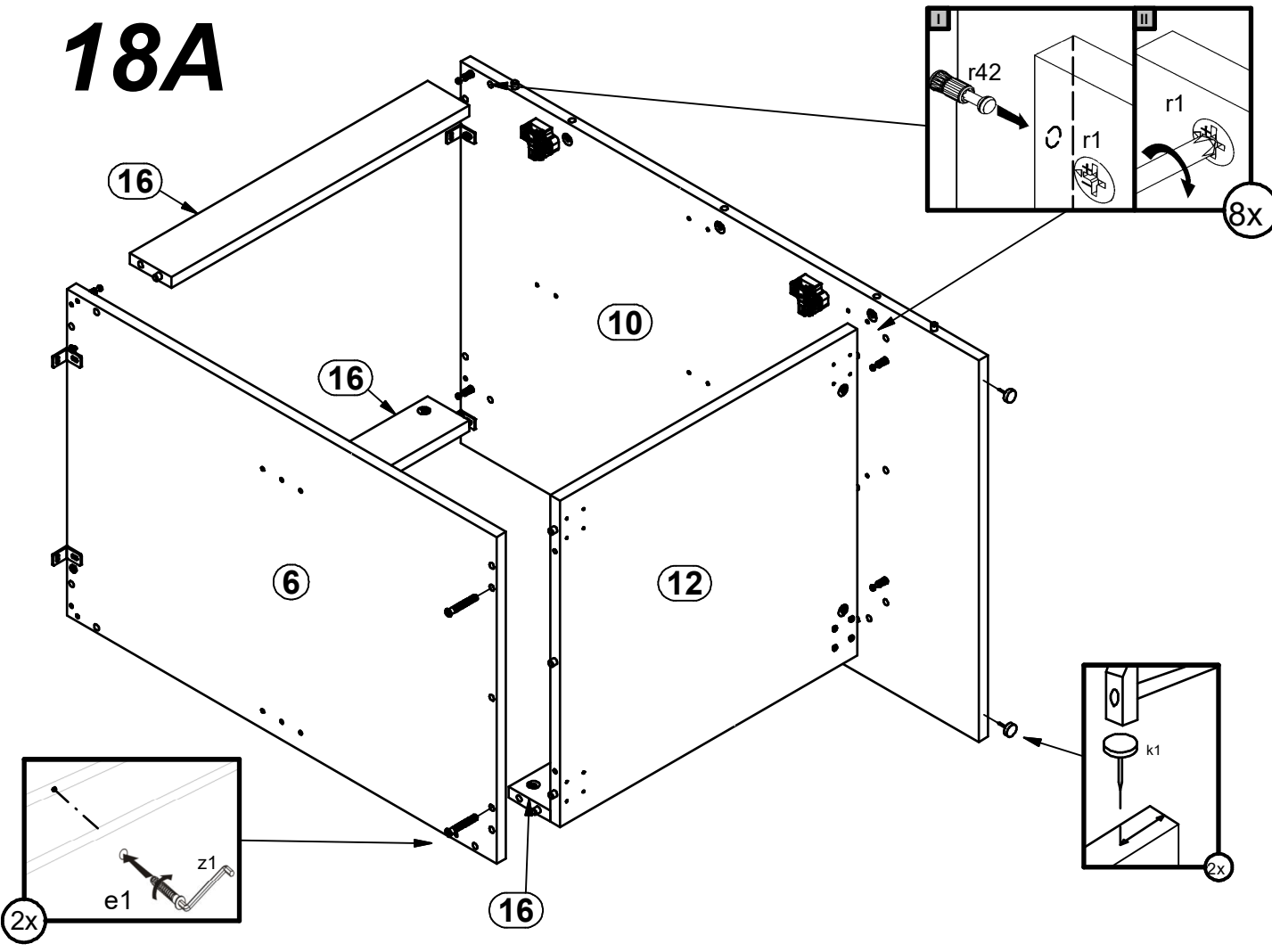
# 17A

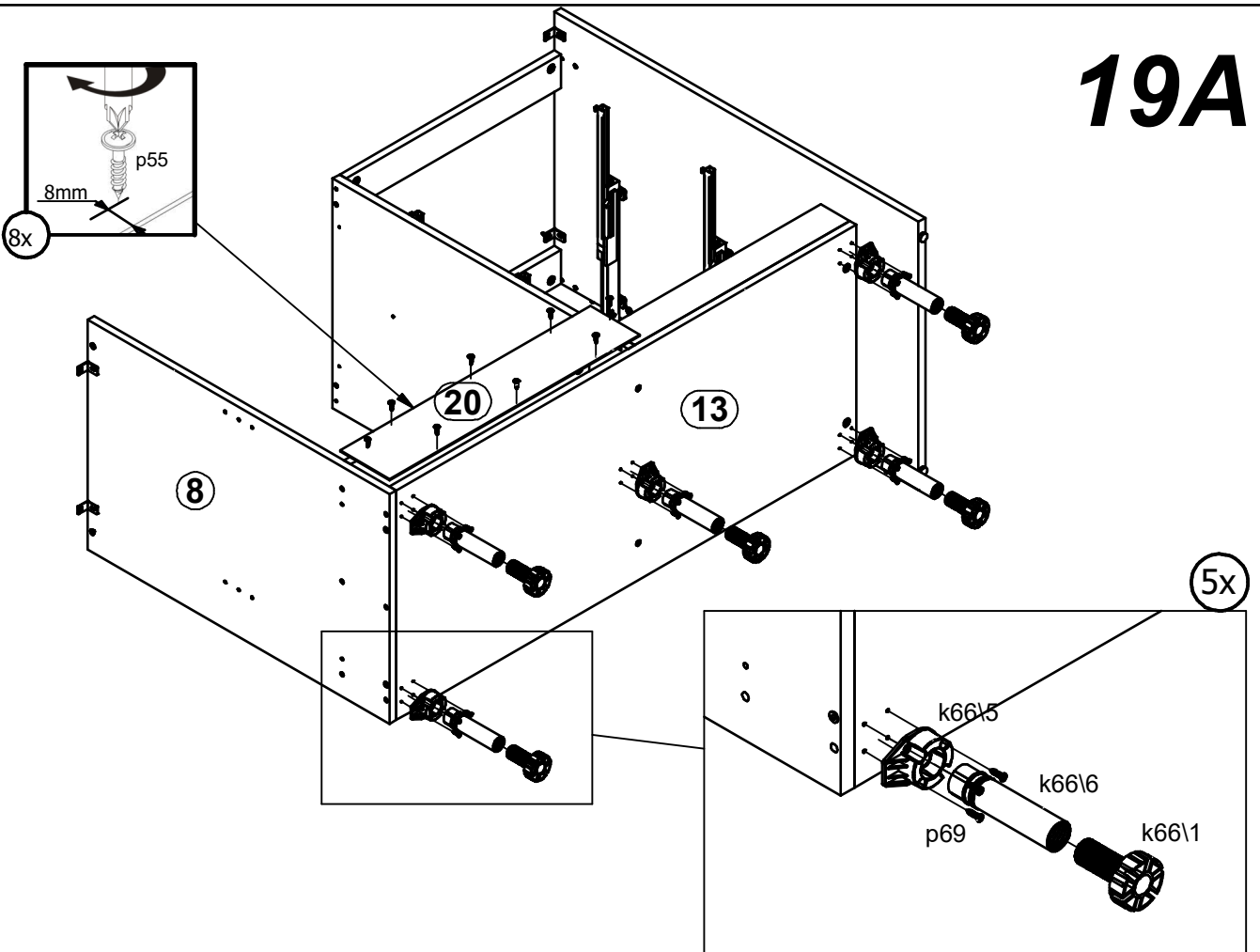
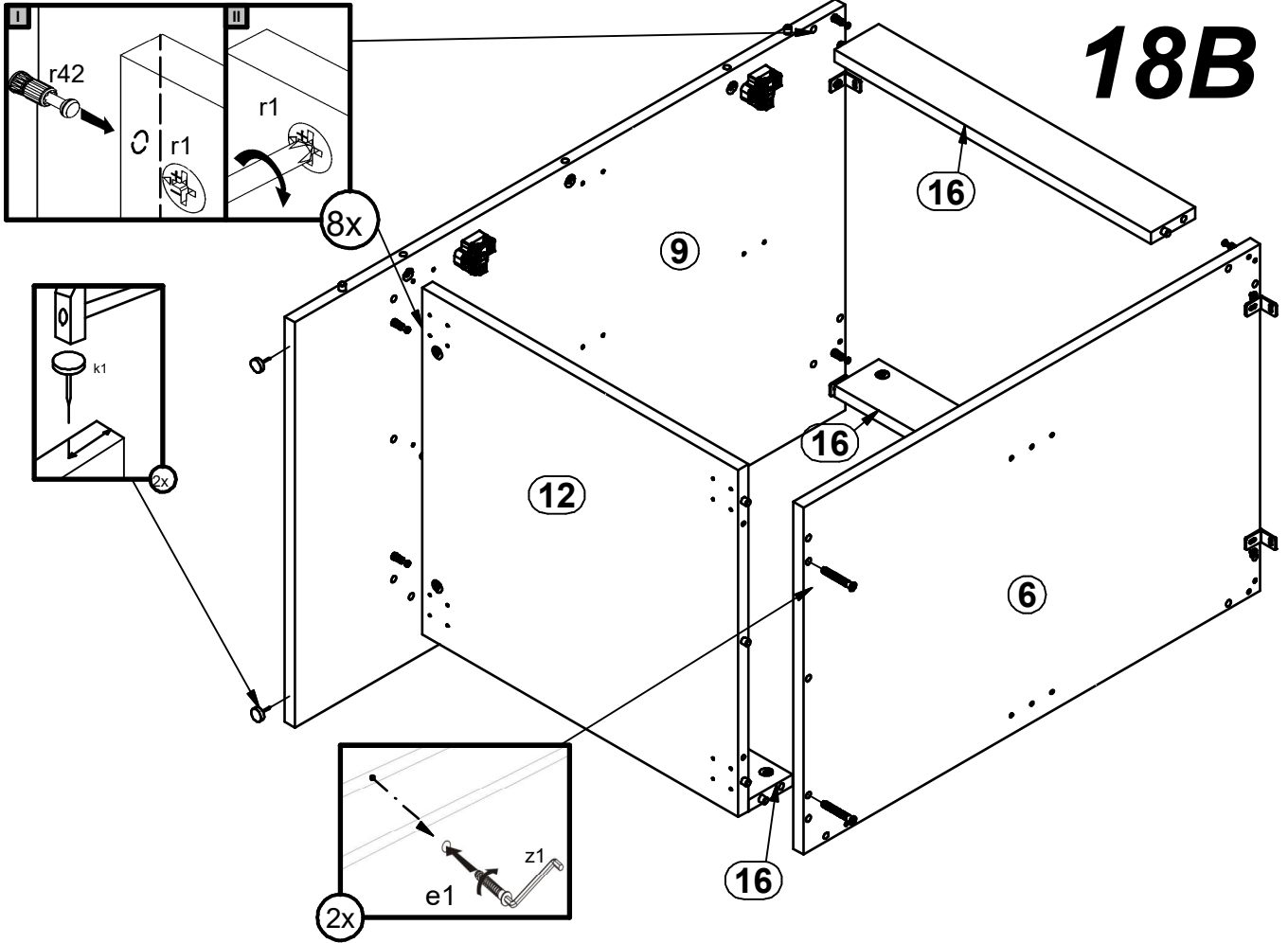


# 17B

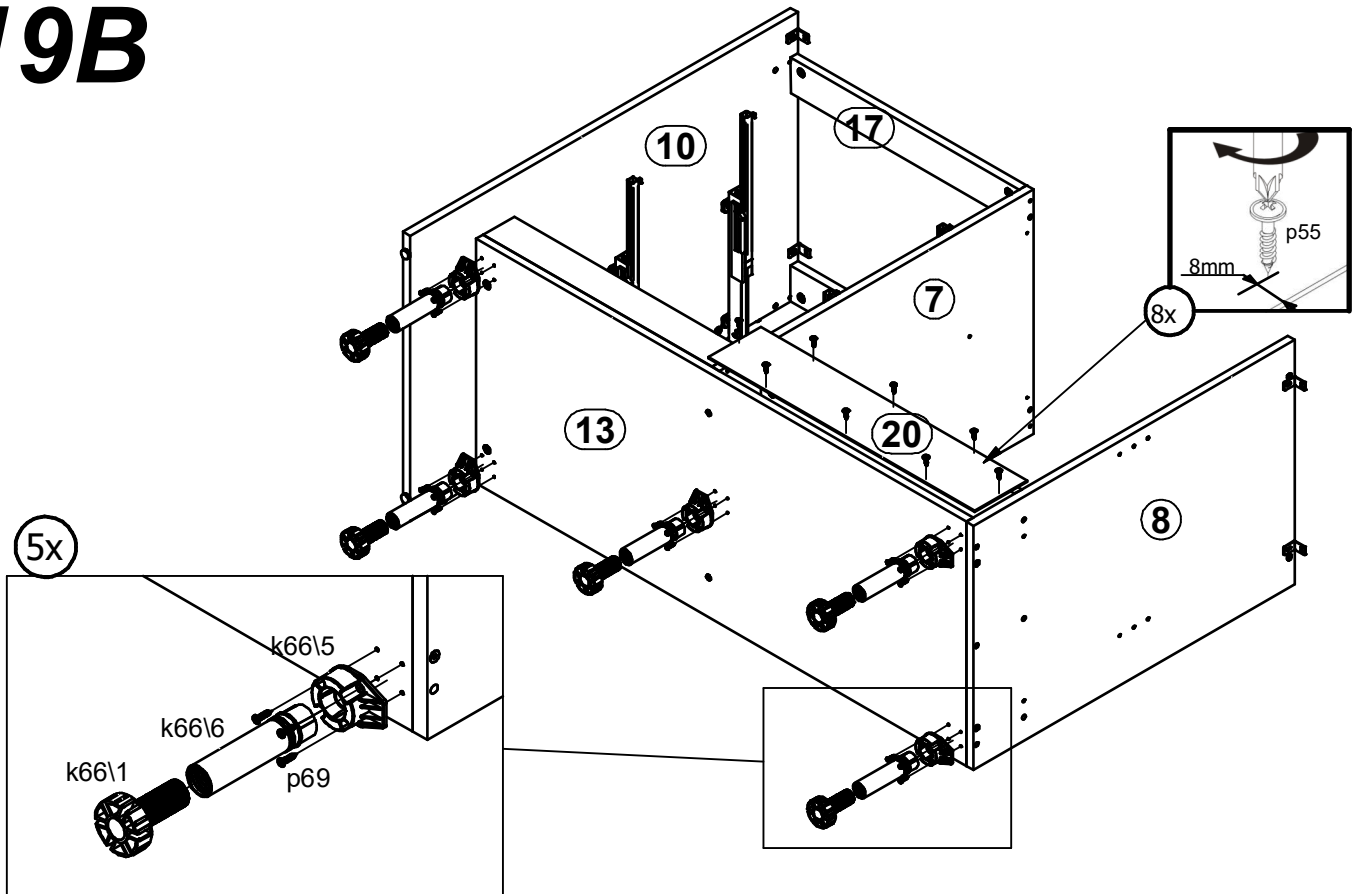


# 18A

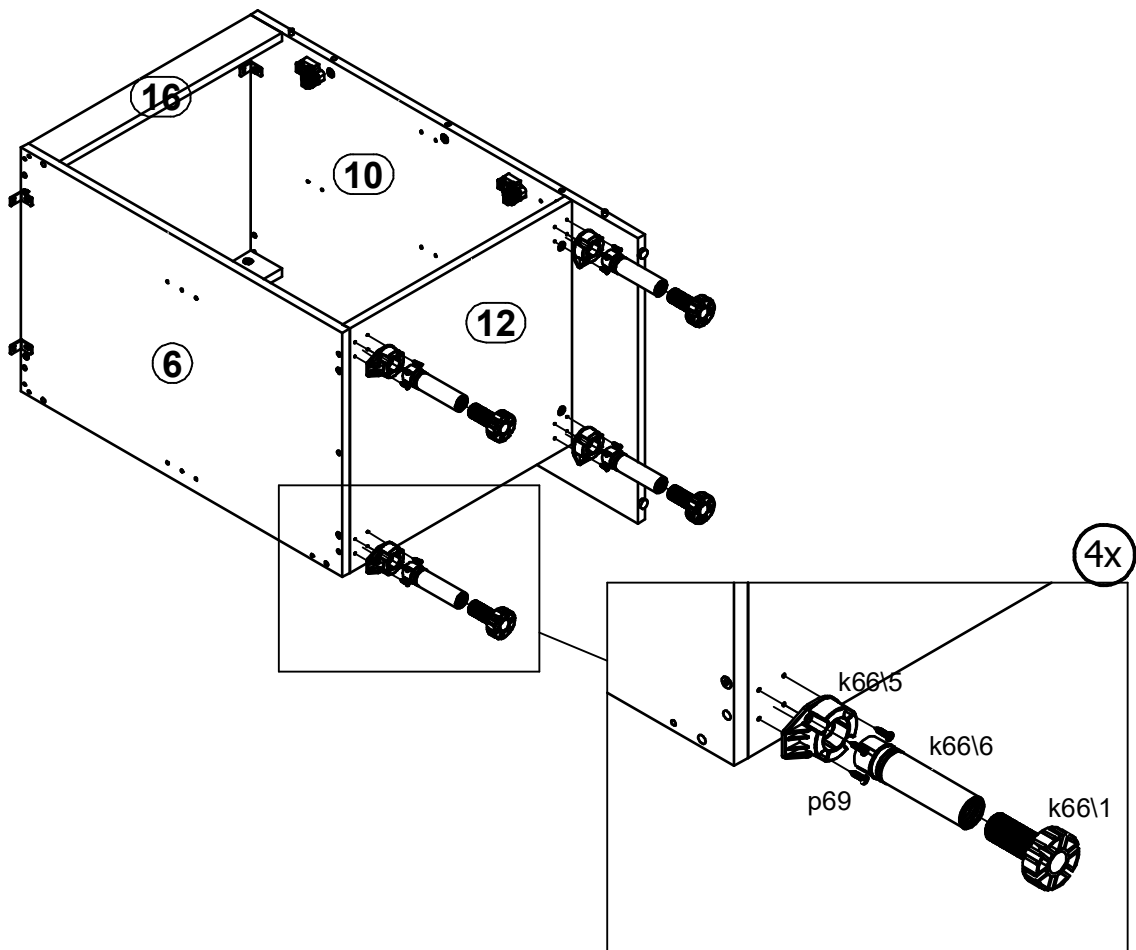




# 19B

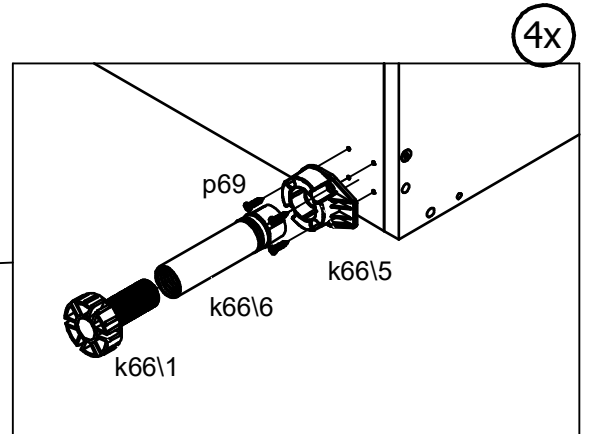
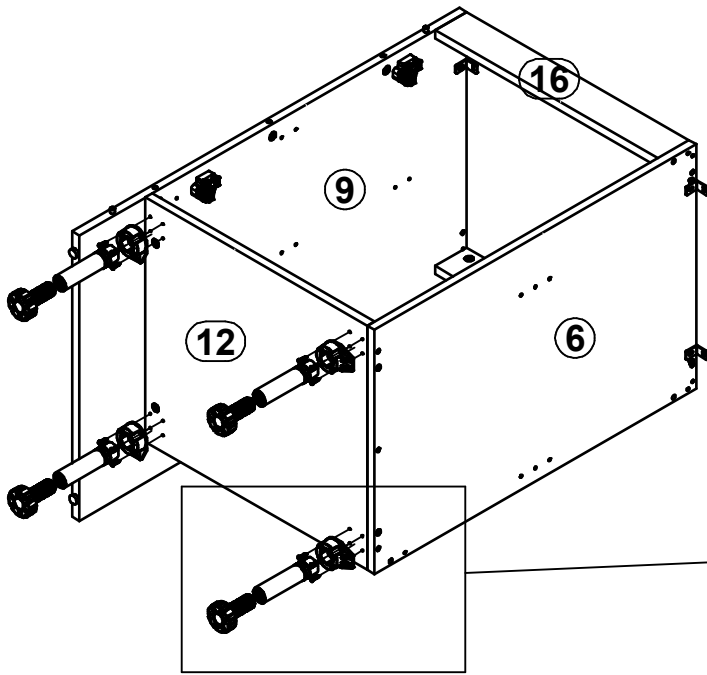


# 20A

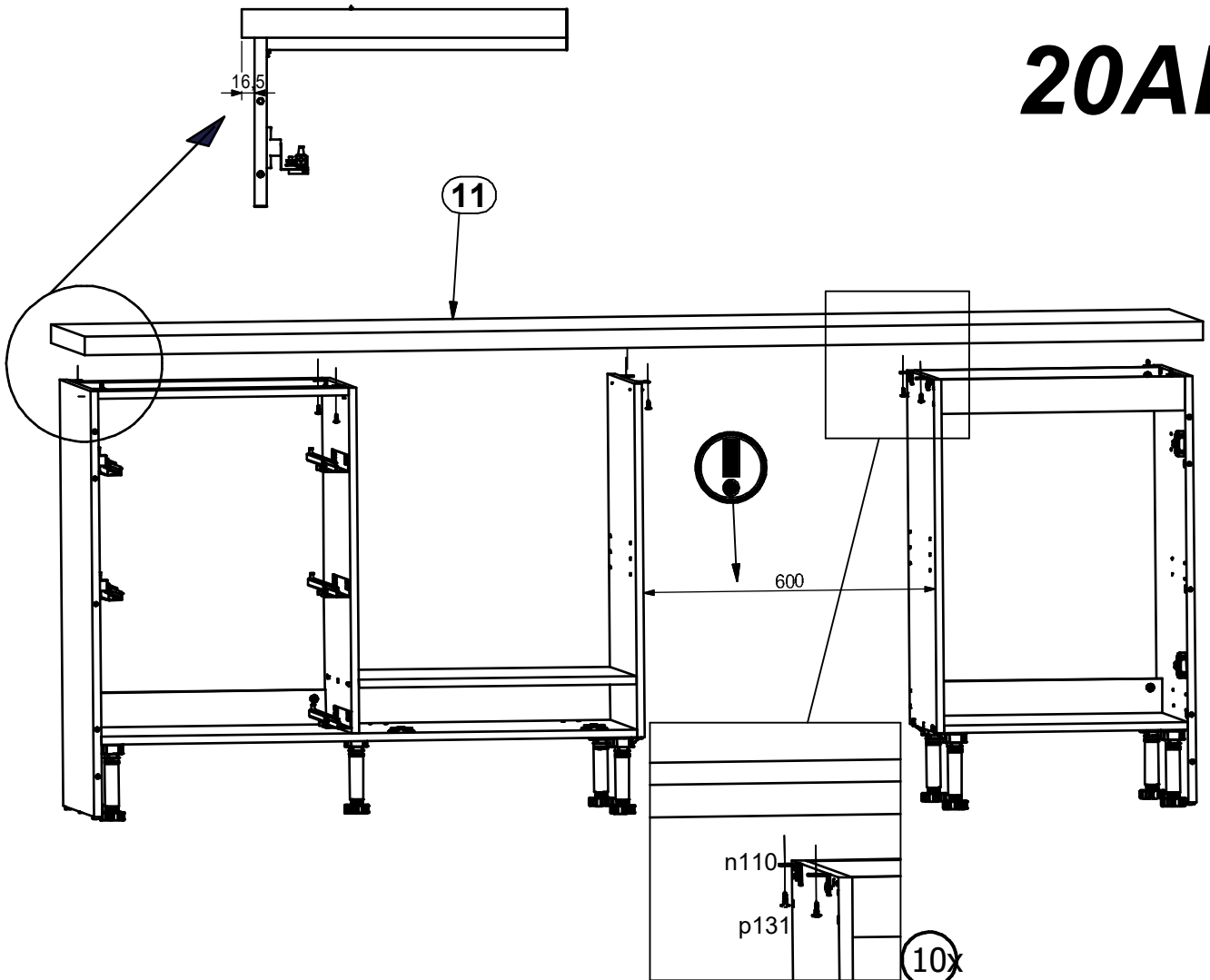




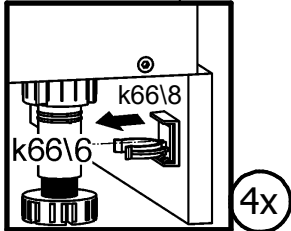
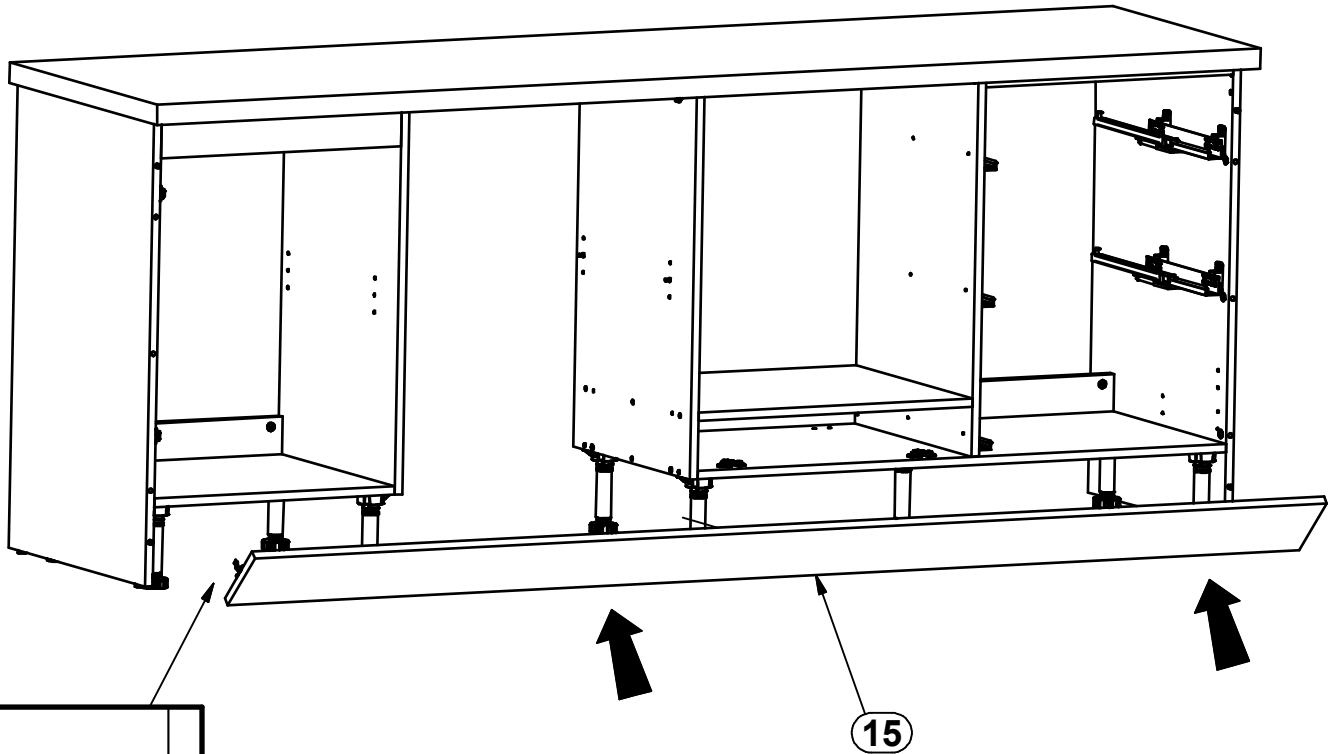
# 20B



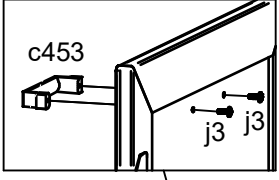
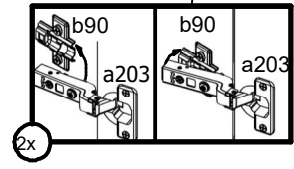
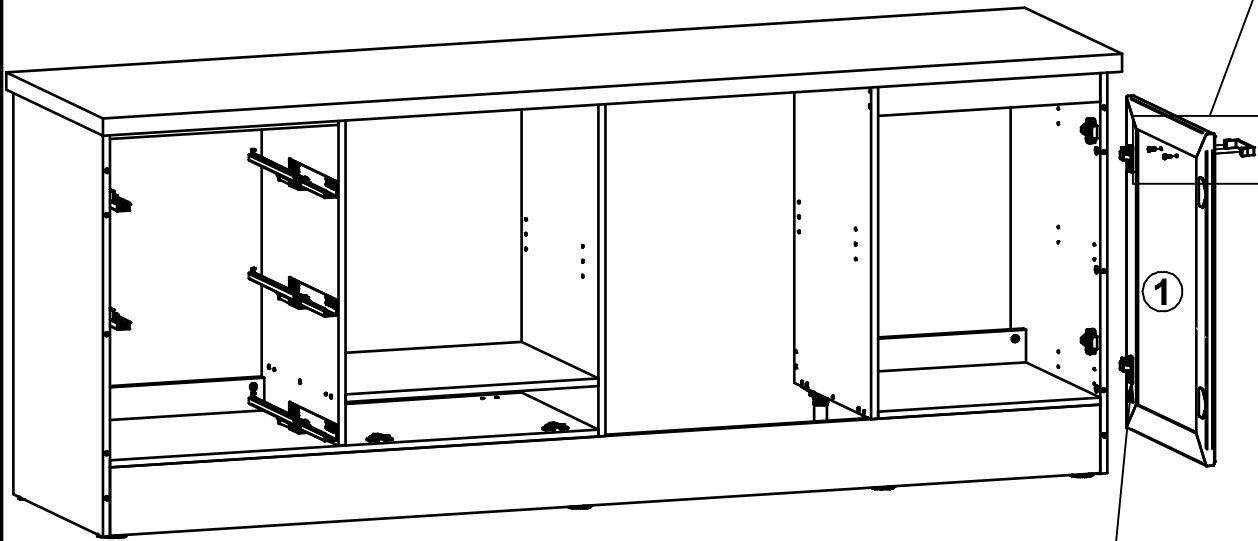
# 20AB



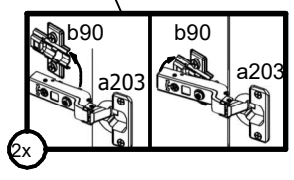
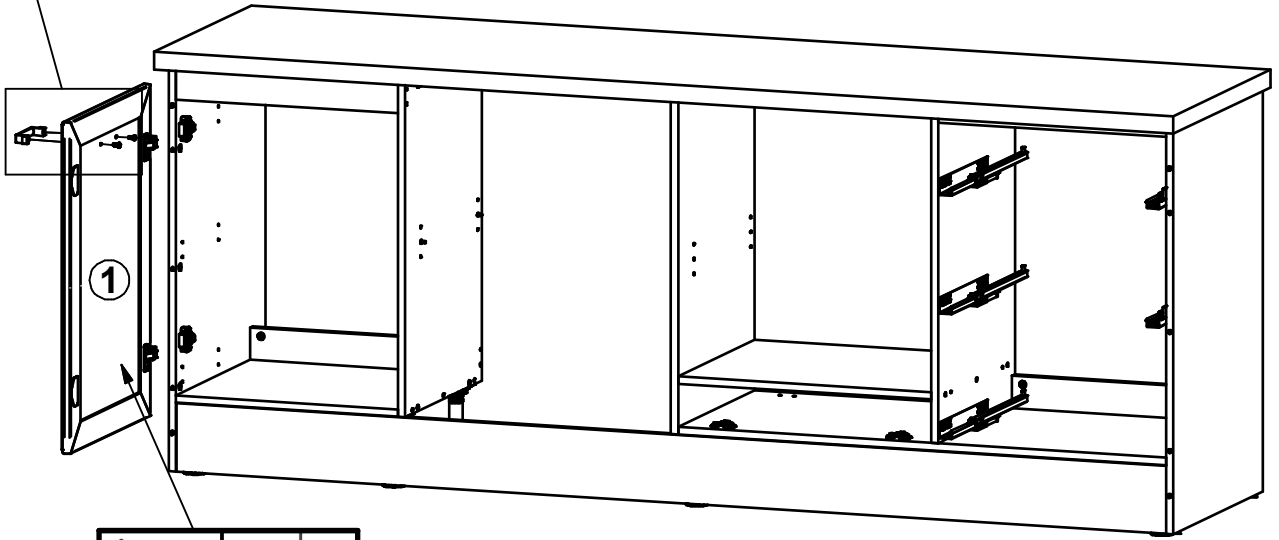
# 21AB



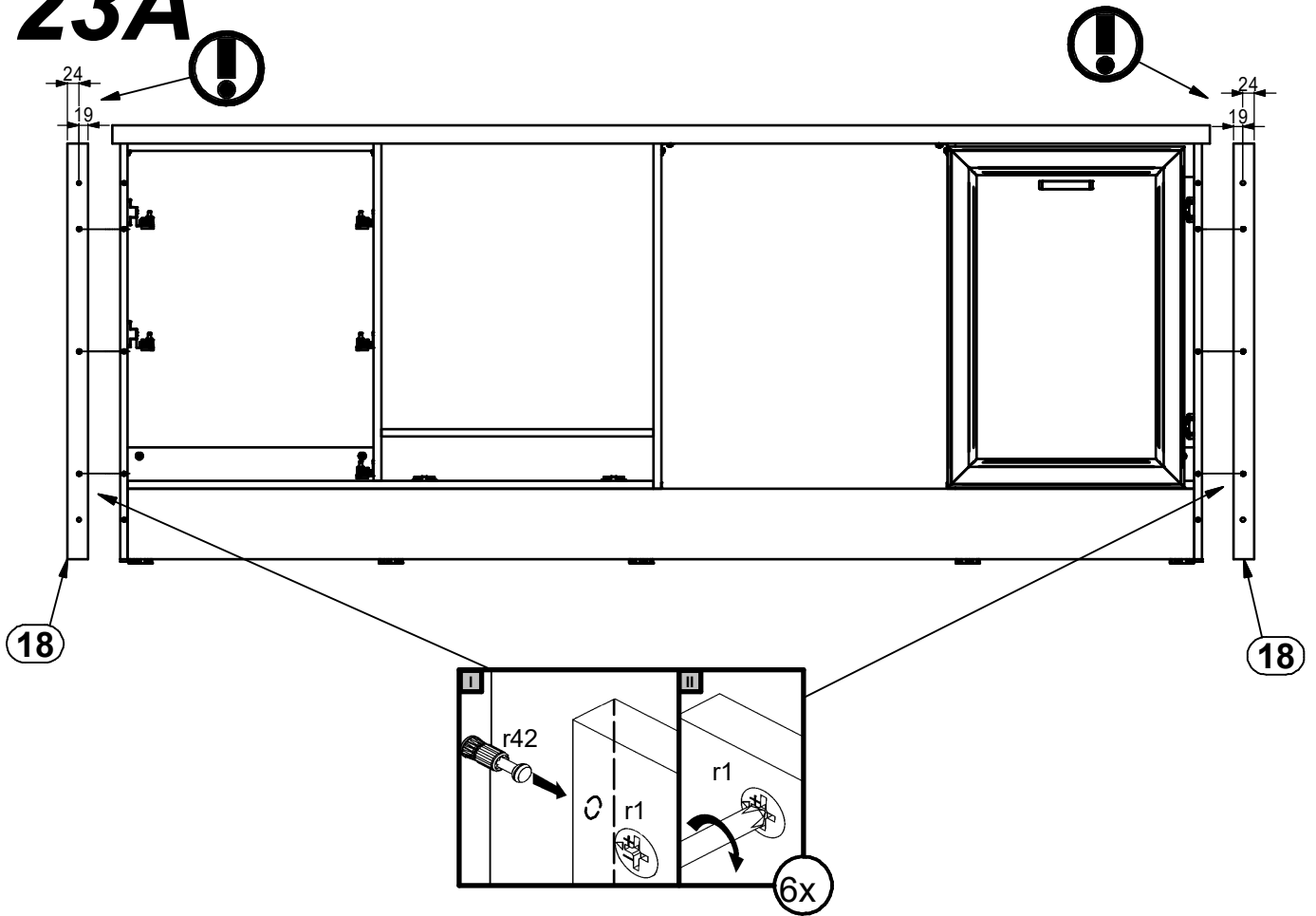
# 22A



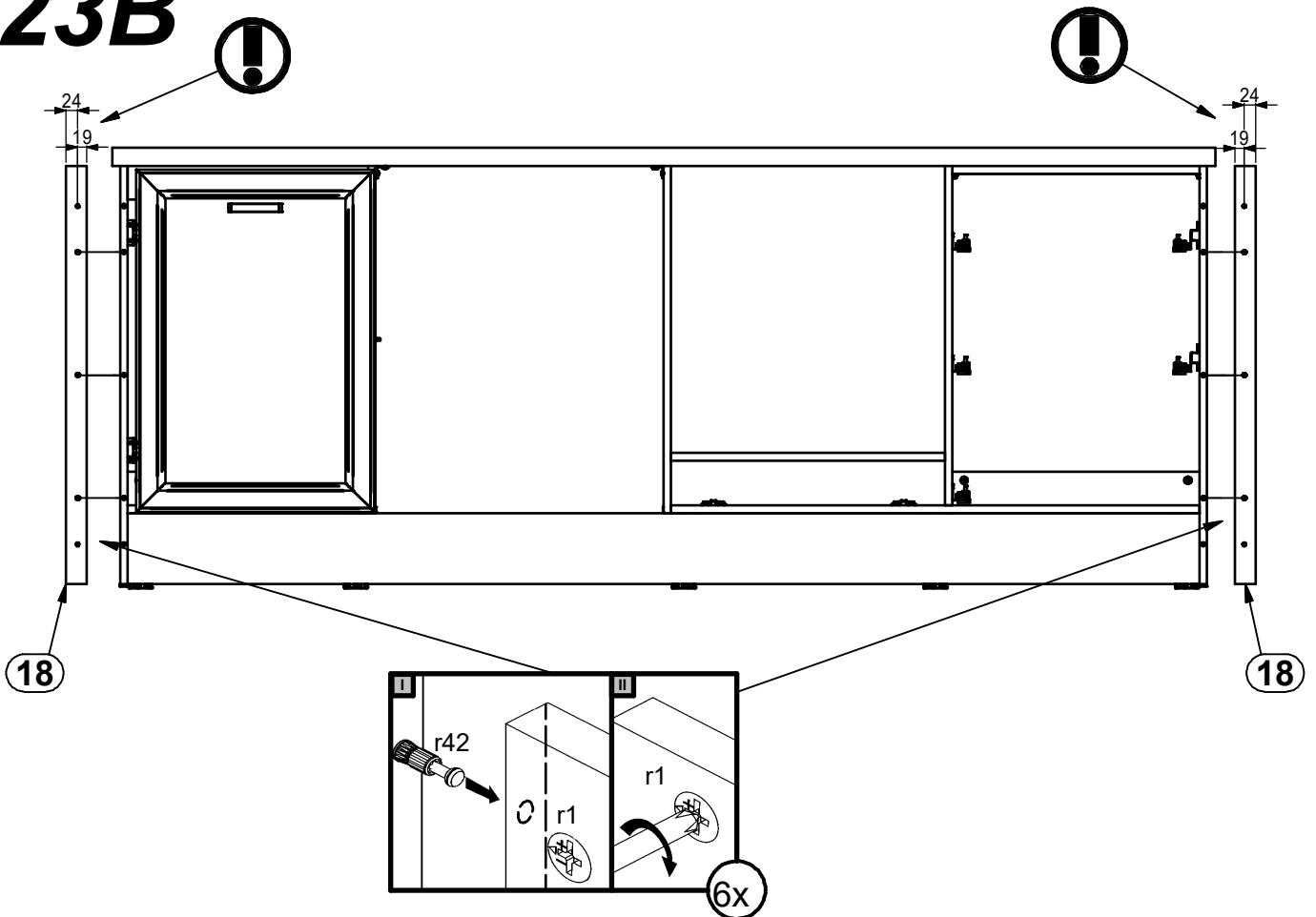
# 22B



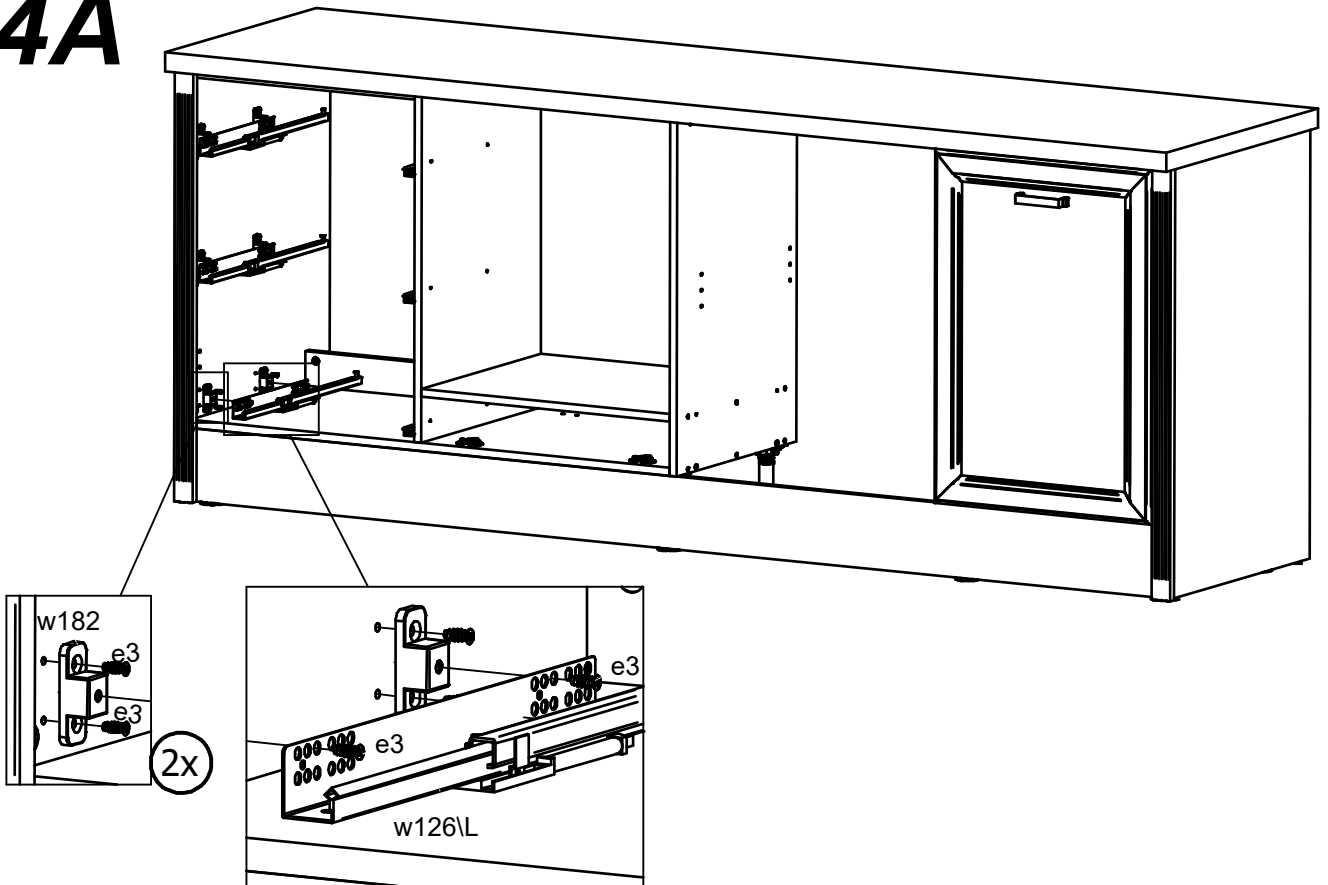
# 23A



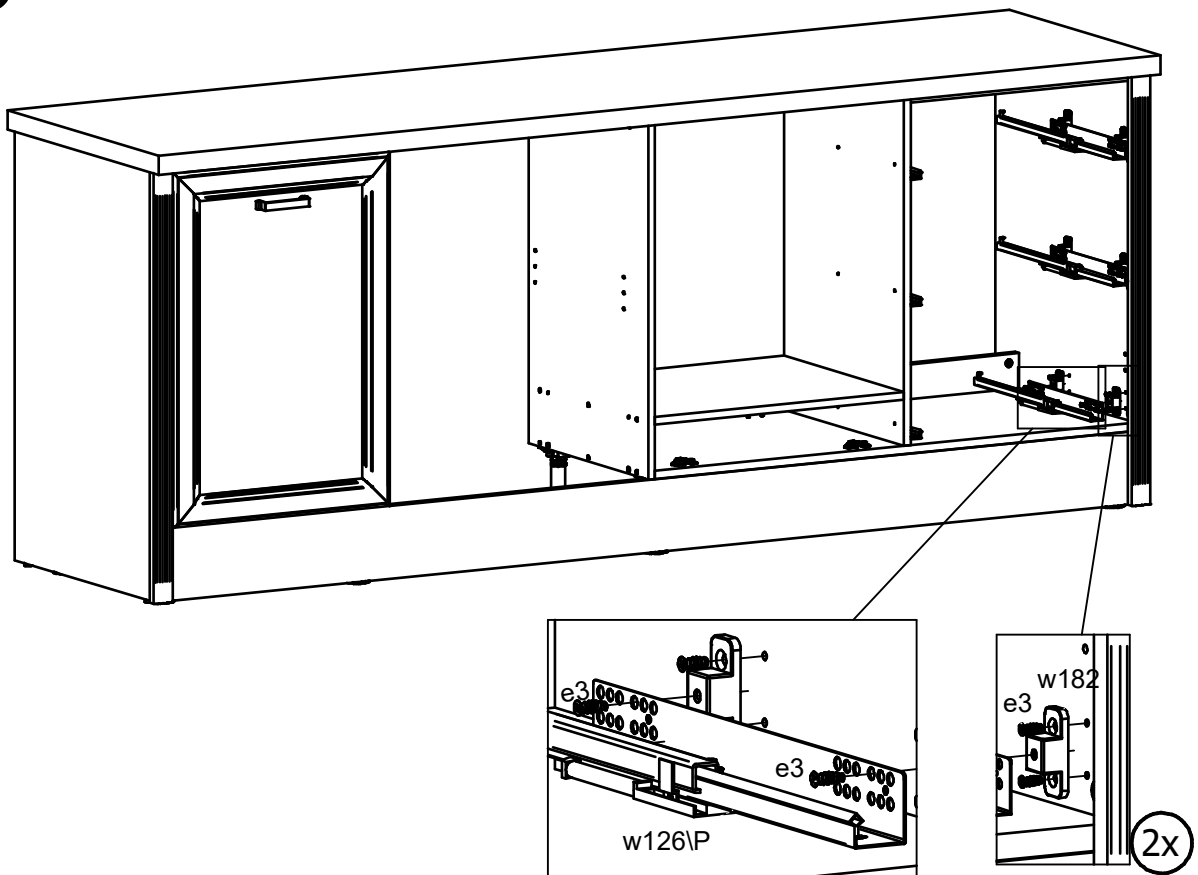
# 23B



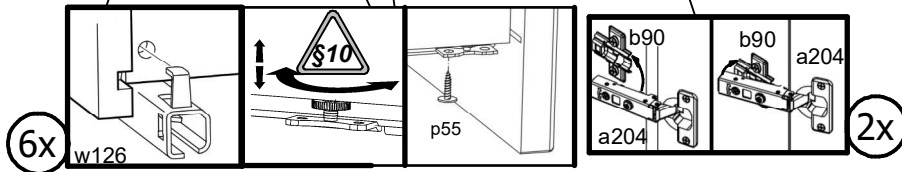
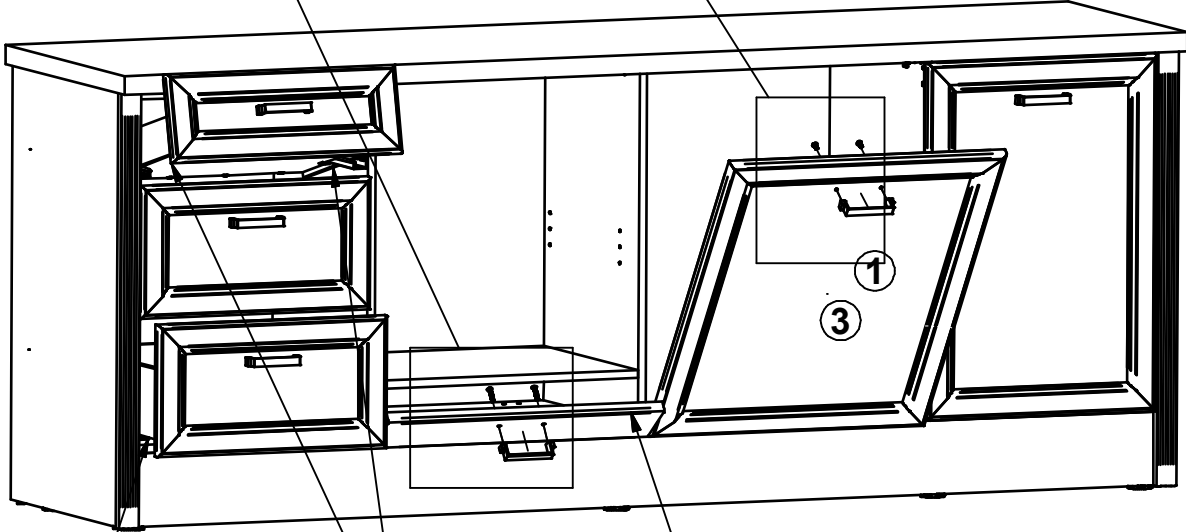
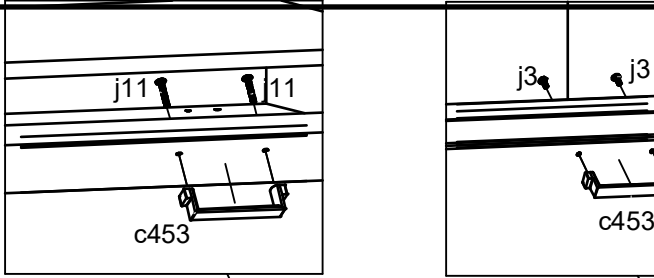
# 24A



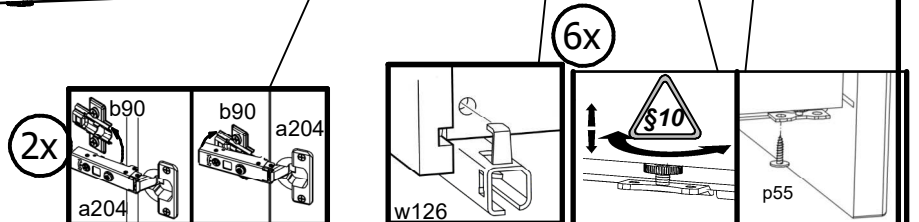
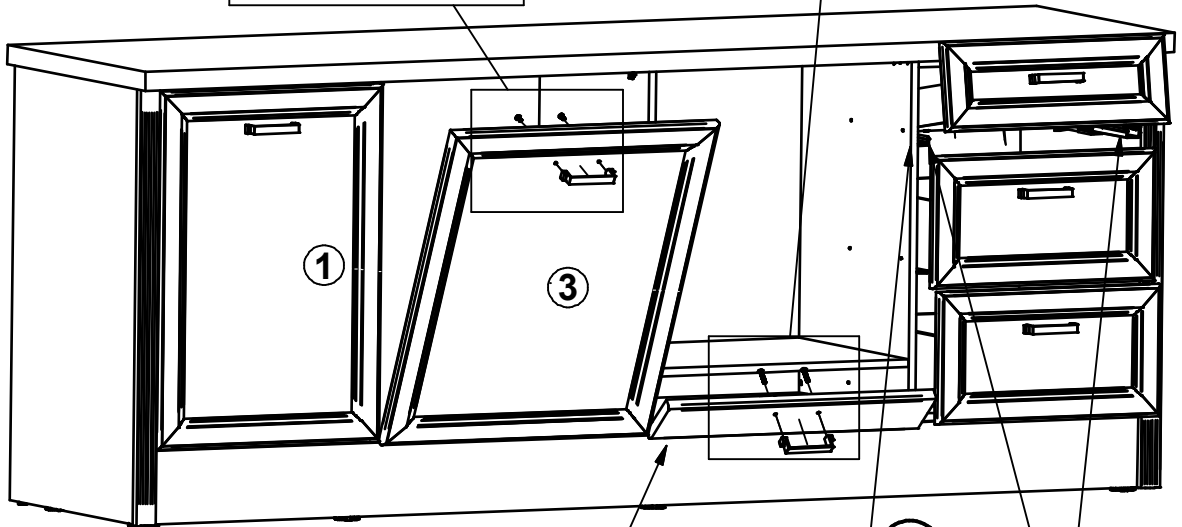
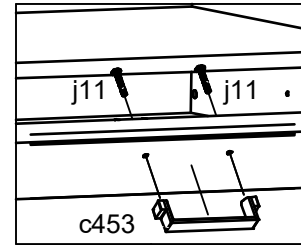
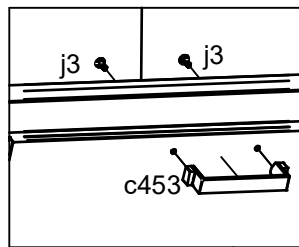
# 24B

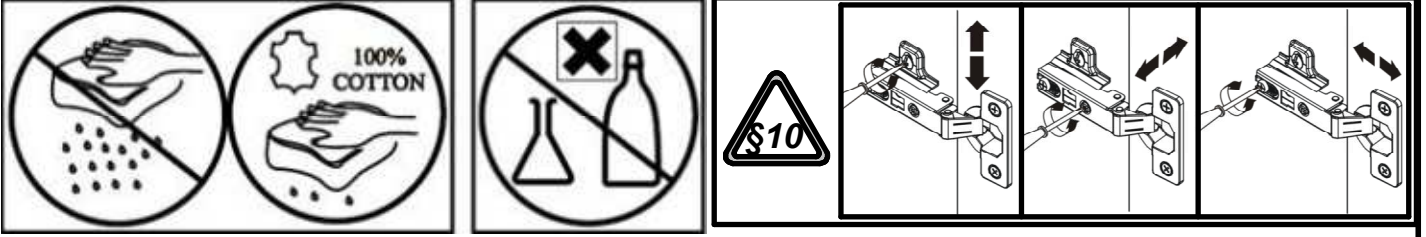


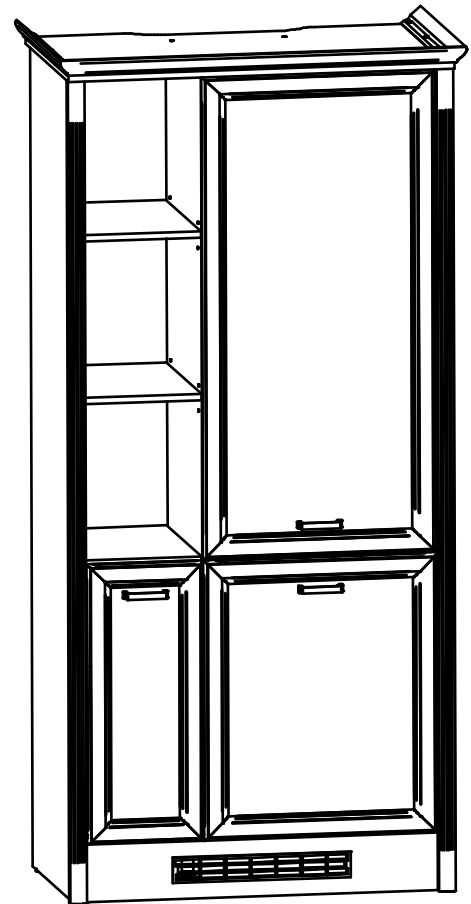
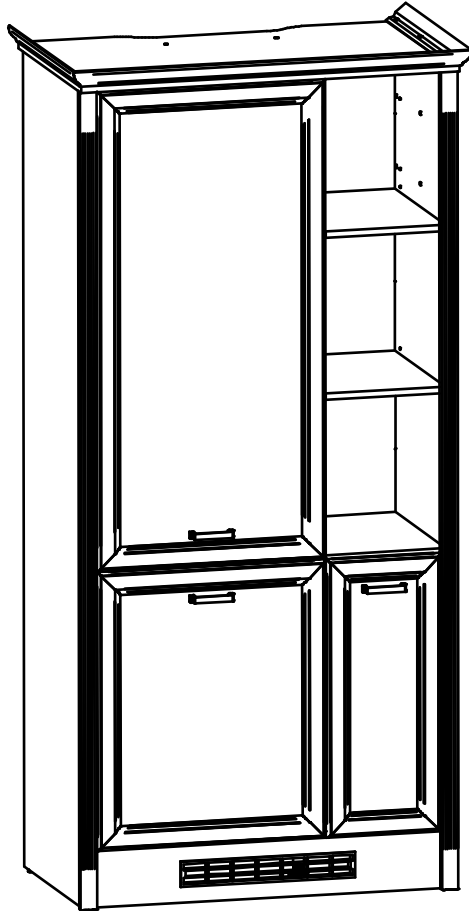
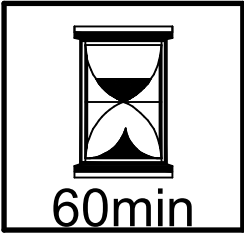
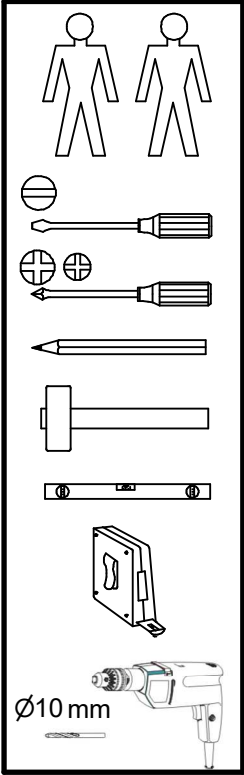
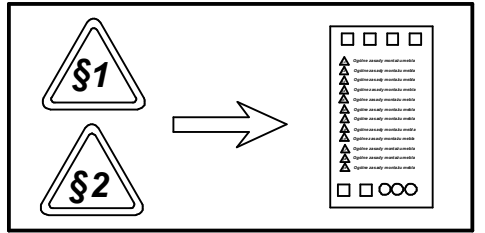
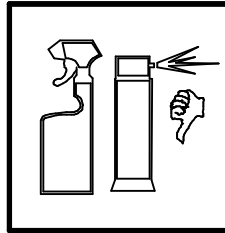
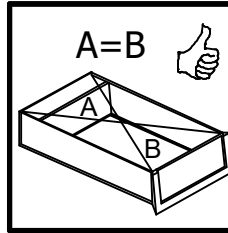
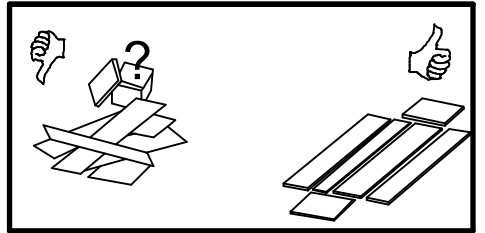
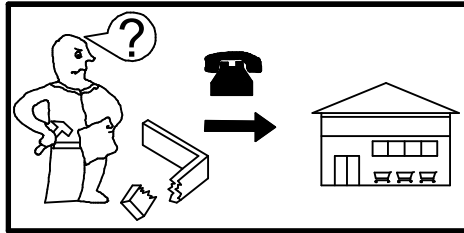
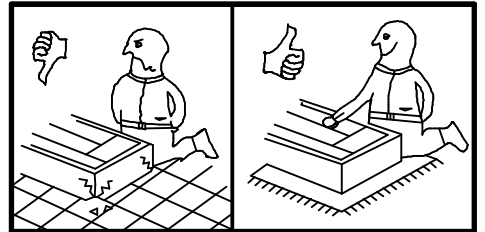
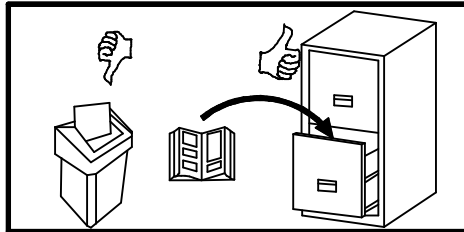
# 25A



# 25B

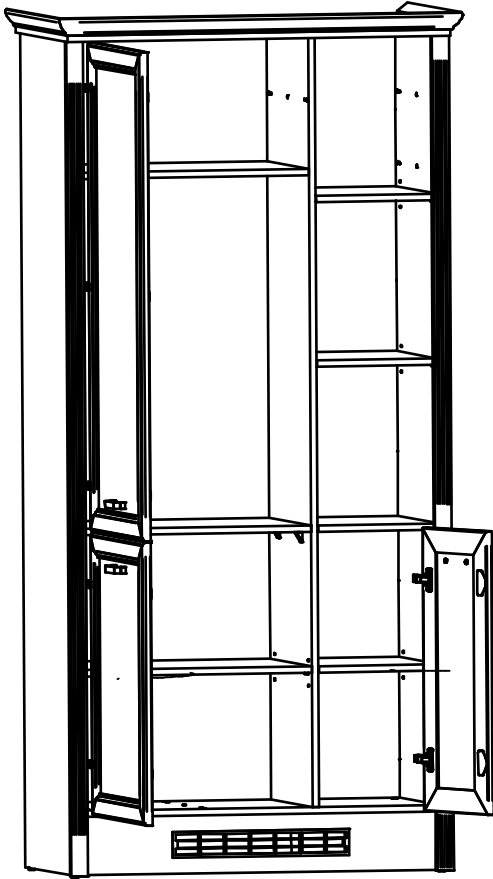




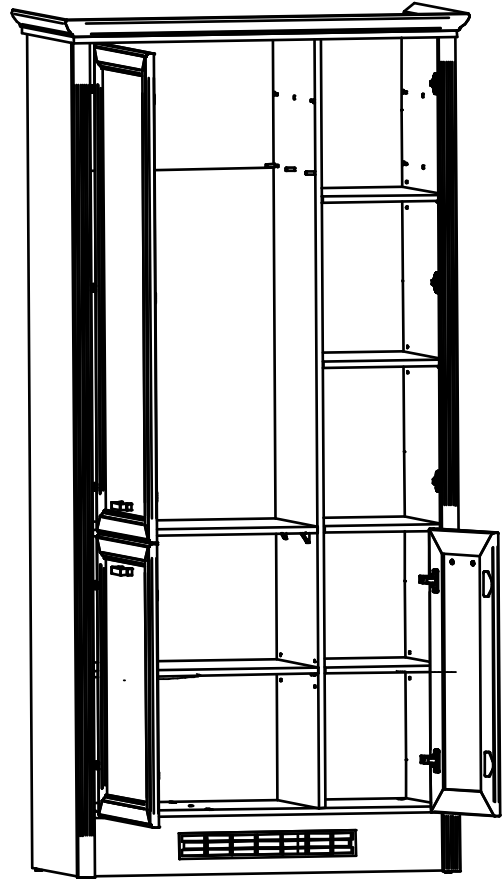




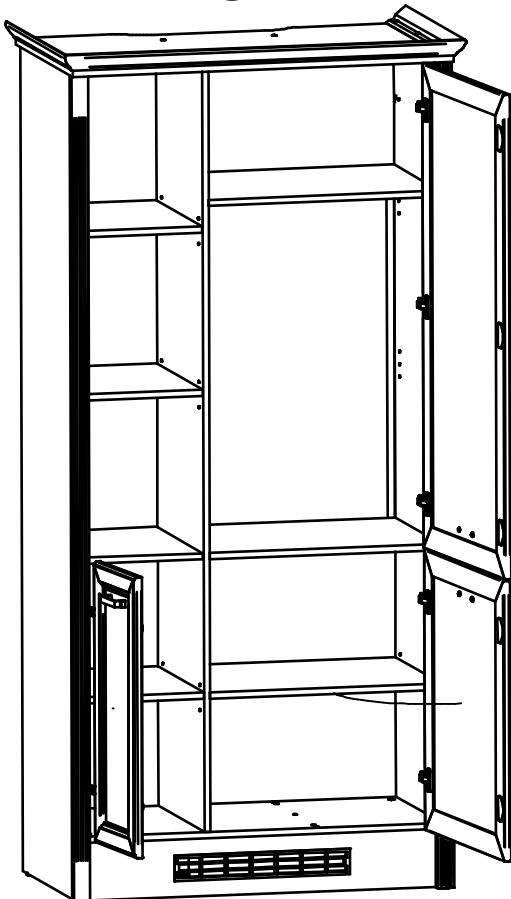
A



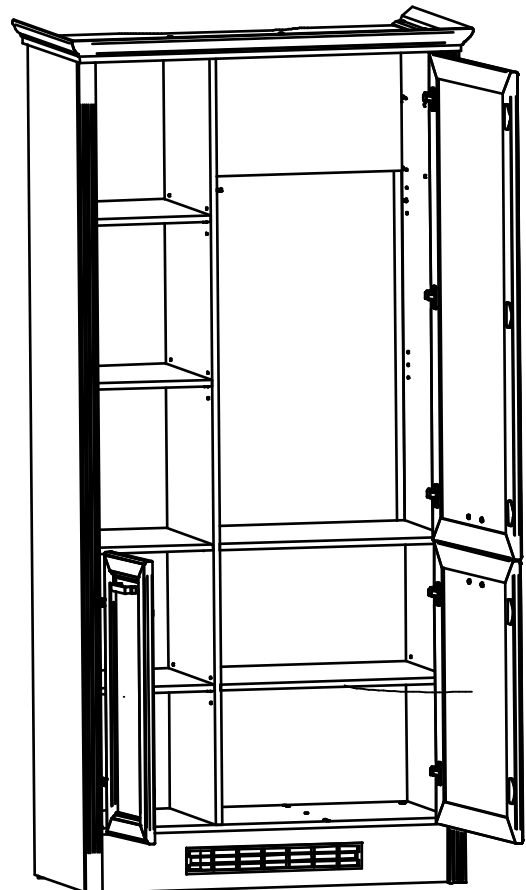
B



C



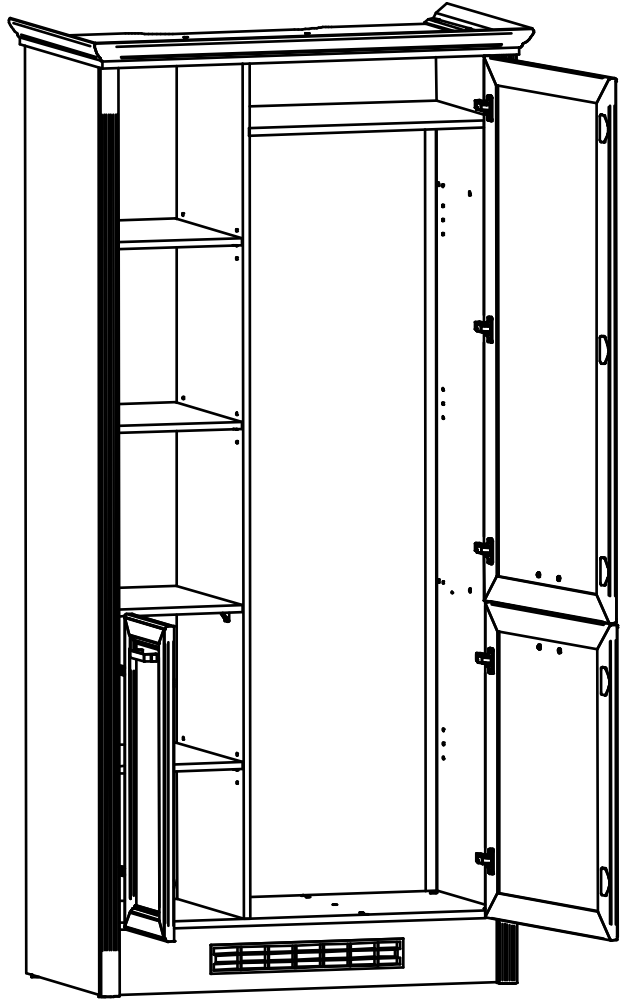
D



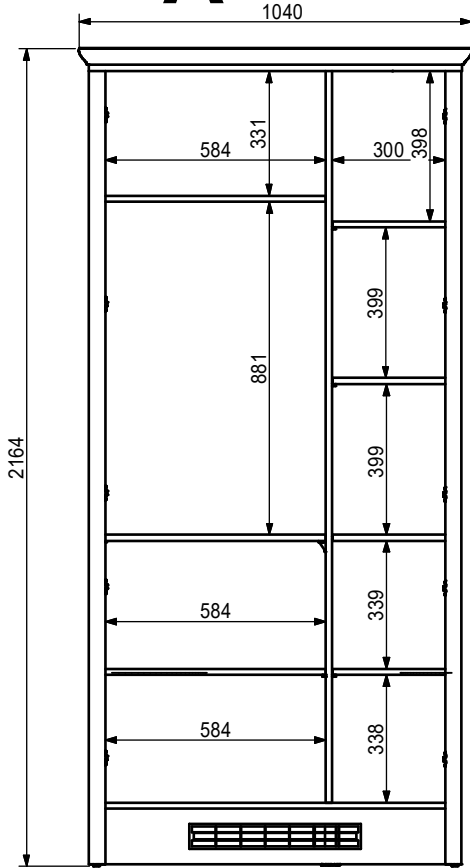
E



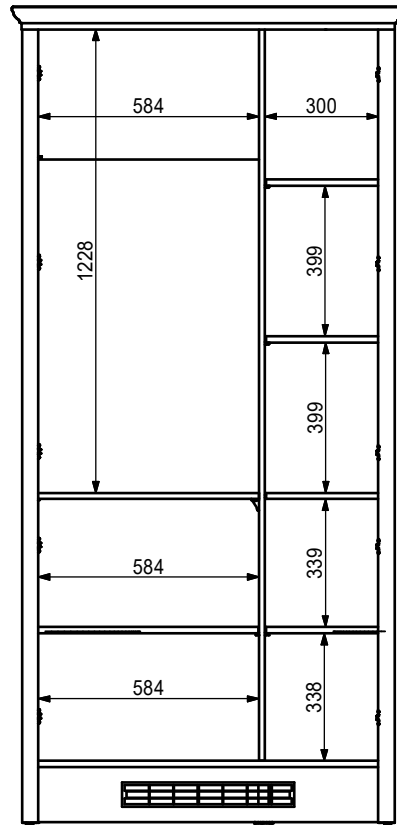
F



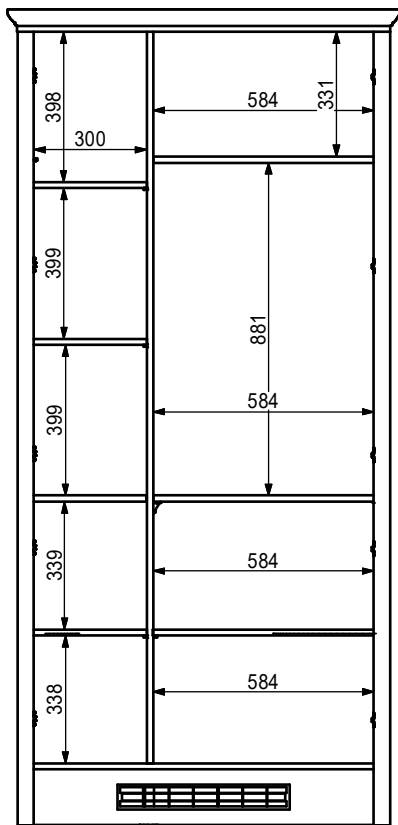
A



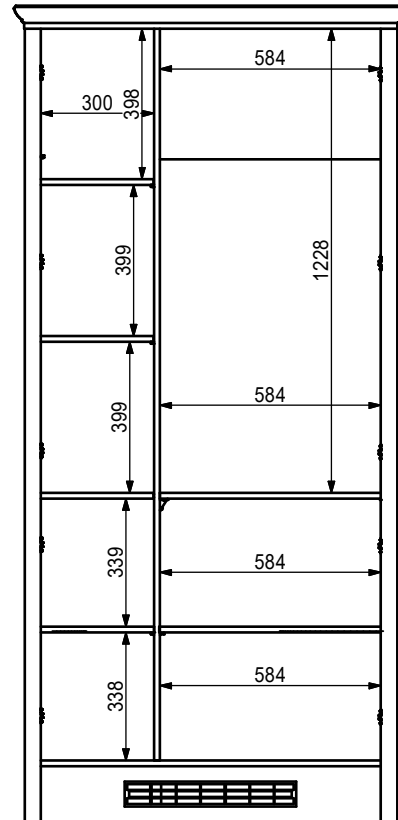
B



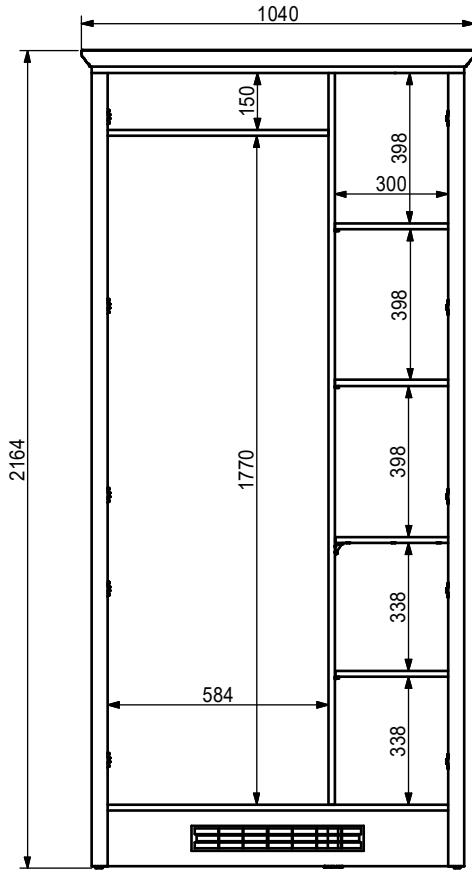
C



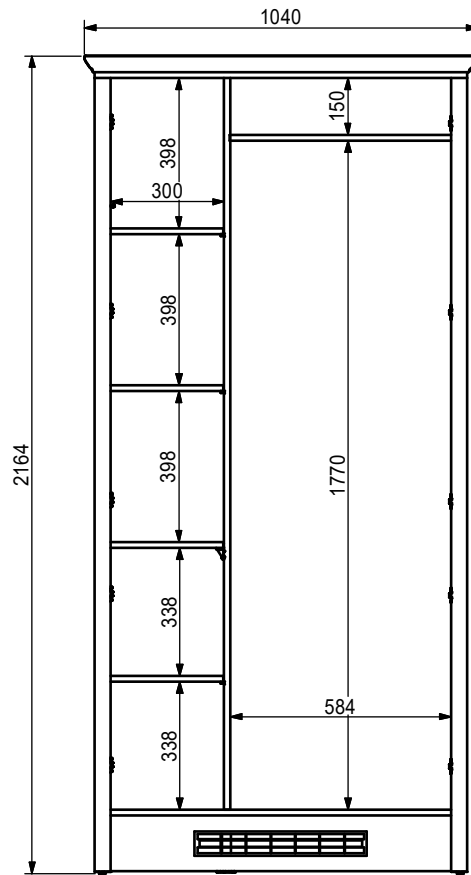
D



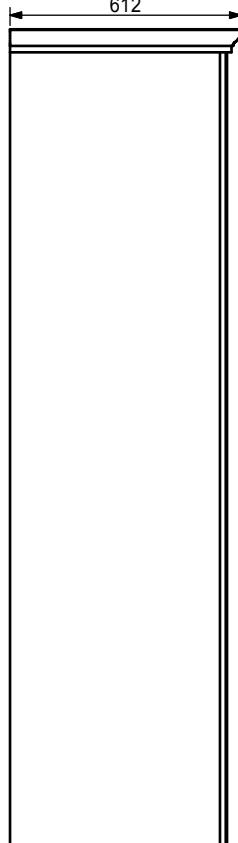
E



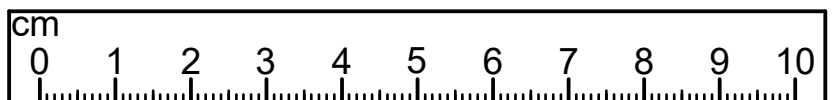
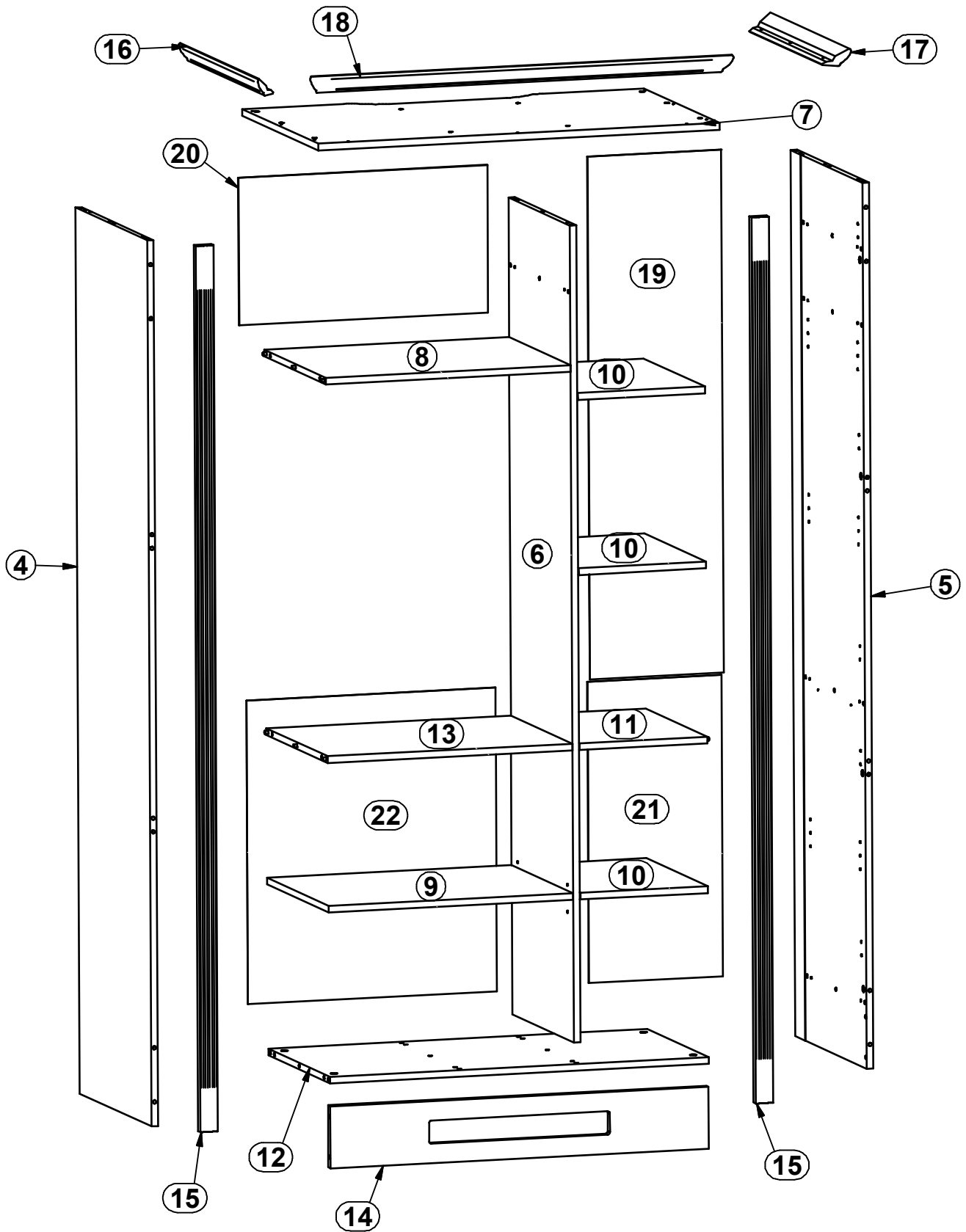
F



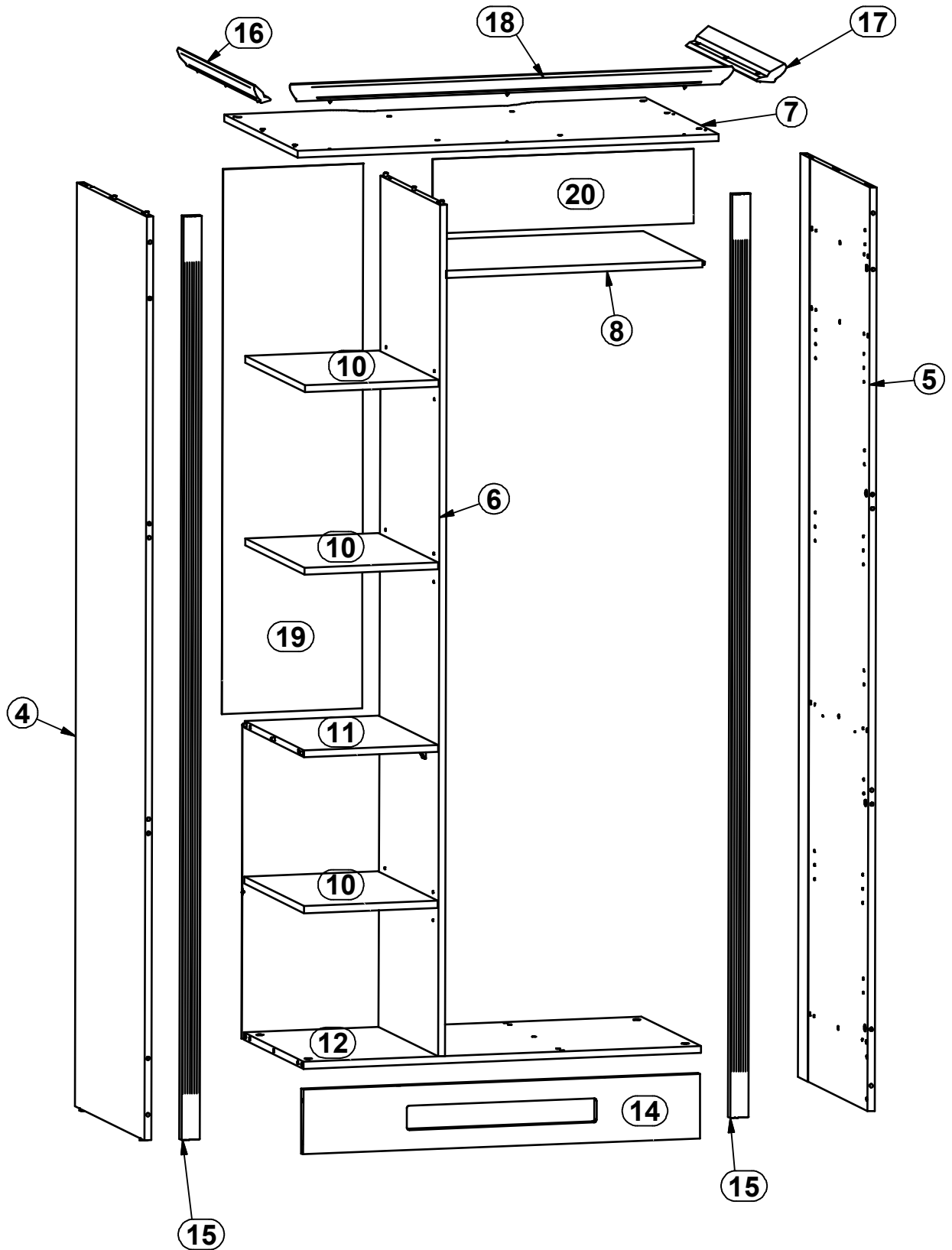
612



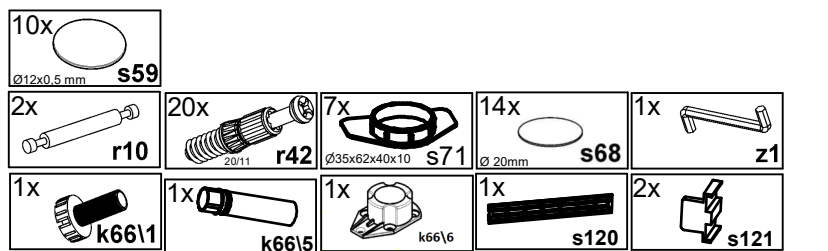
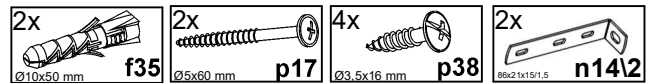
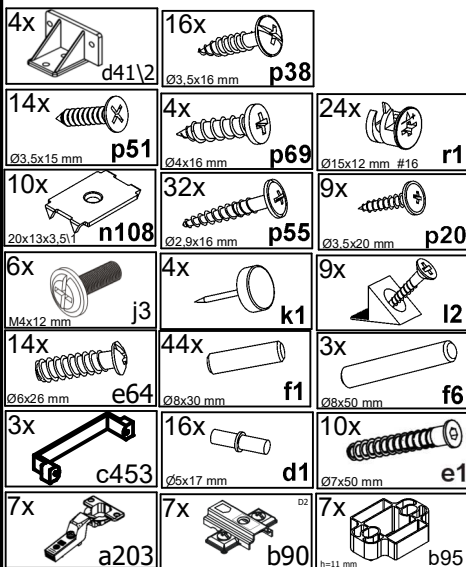
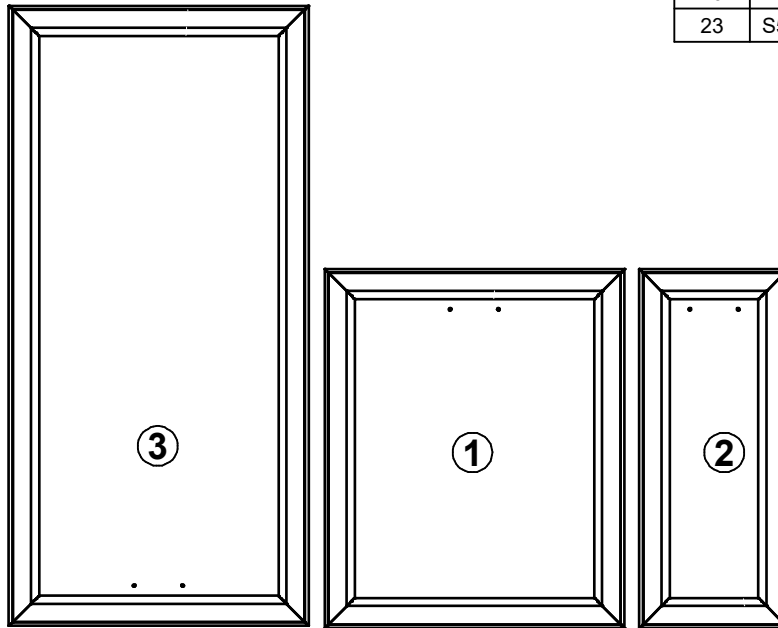
# ABCD



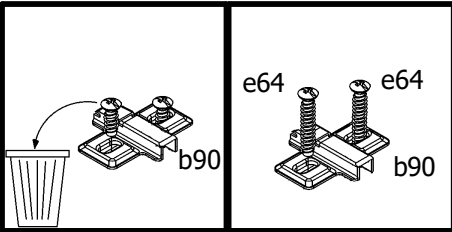
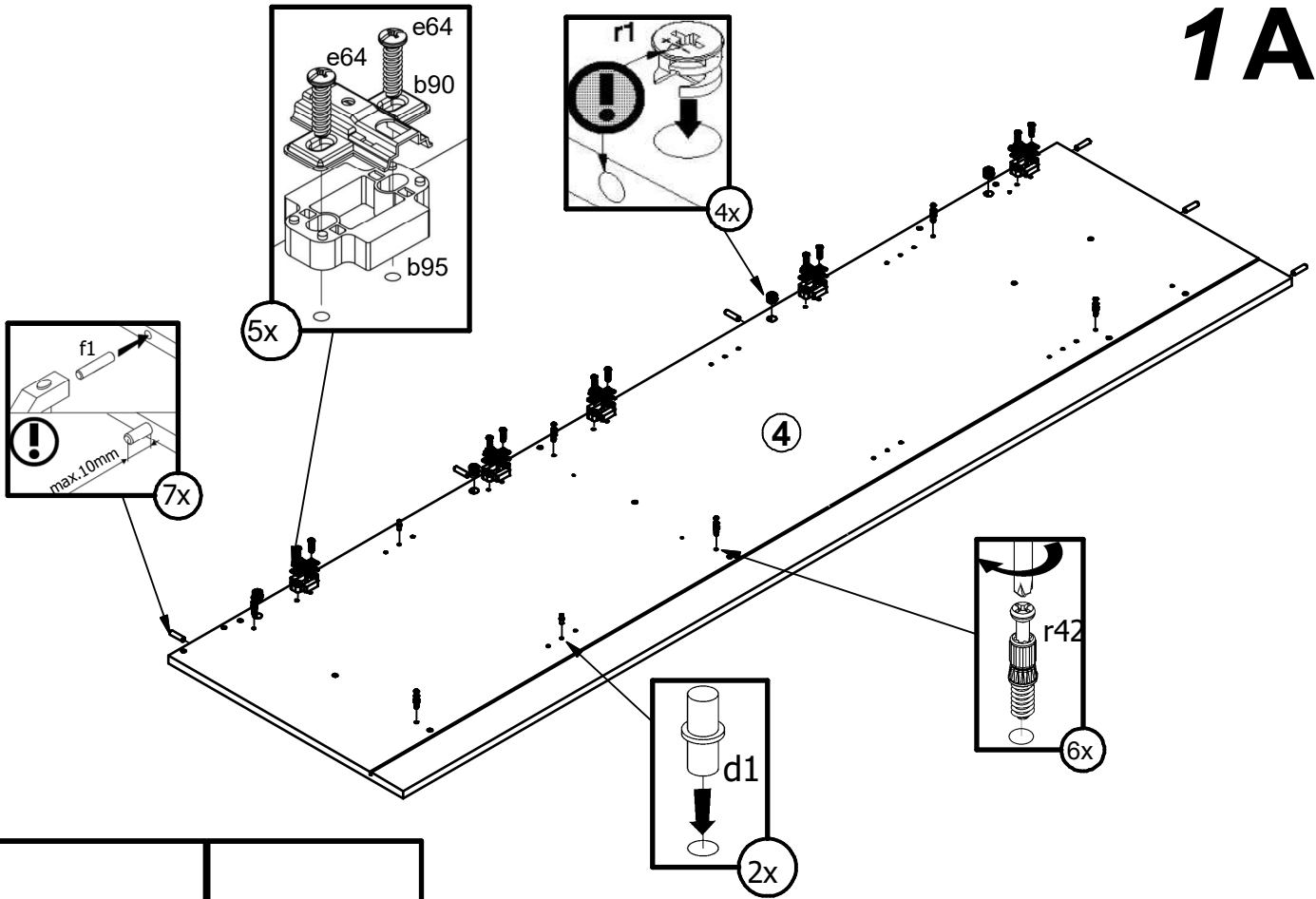
**EF**



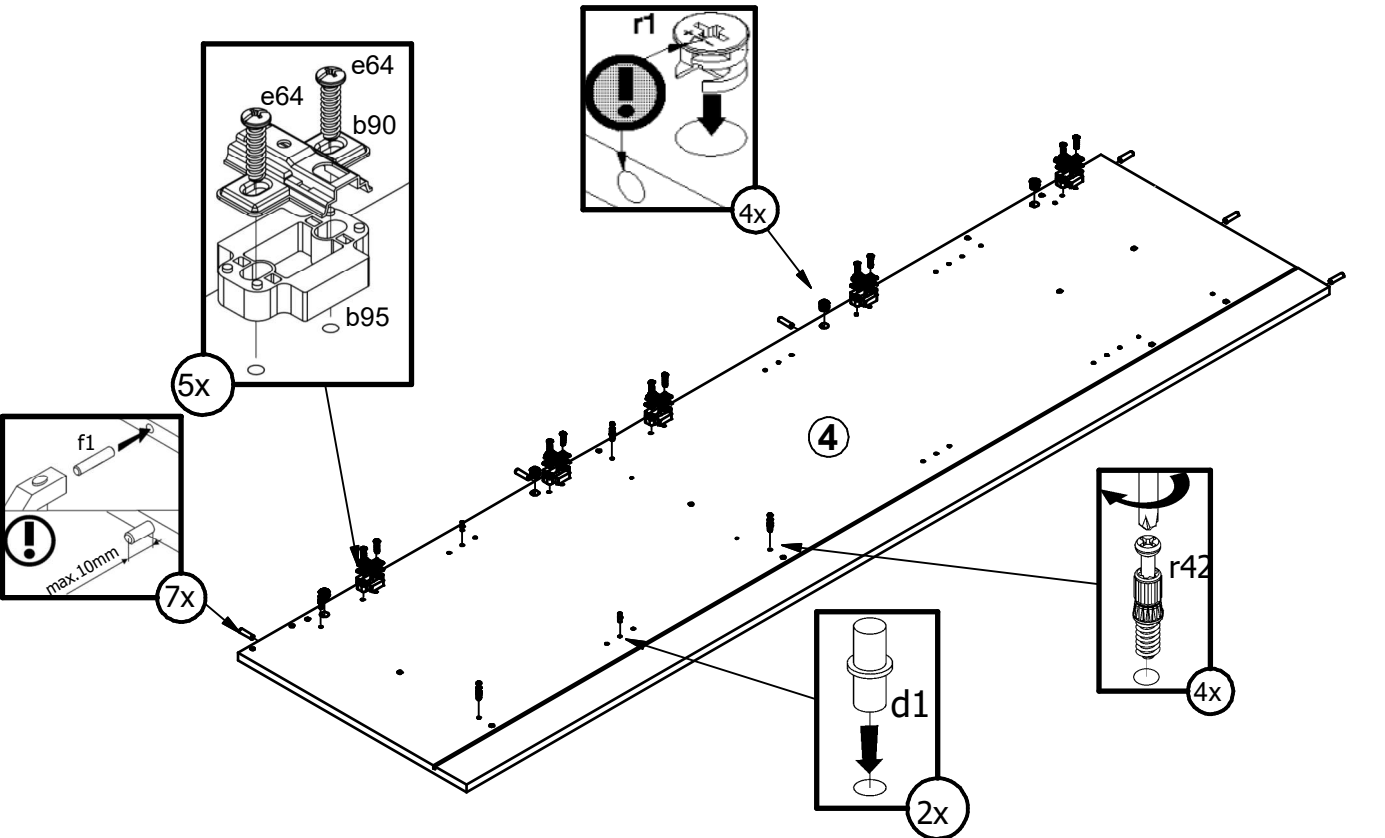
A	B	C1	C2	C3	D
1	S538-0003	713	595	22	113
2	S538-0009	713	296	22	113
3	S538-0010	1231	595	22	113
4	S538-1013	2100	555	16	213
5	S538-1014	2100	555	16	213
6	S538-1015	1936	475	16	313
7	S538-2006	988	586	16	113
8	S538-3011	602	475	16	313
9	S538-3012	601	475	16	113
10	S538-3013	313	475	16	313
11	S538-3014	314	475	16	313
12	S538-3015	932	475	16	313
13	S538-3020	602	475	16	313
14	S538-4005	931	147	16	113
15	S538-5005	2100	43	19	213
16	S538-5807	612	67	22	113
17	S538-5808	612	67	22	113
18	S538-5809	1041	67	22	113
19	S538-9006	1239	329	2,5	213
21	S538-9008	714	329	2,5	213
22	S538-9009	720	612	2,5	113
20	S538-9011	350	612	2,5	113
23	S538-9012	612	169	2,5	113



1 A



1 B





A

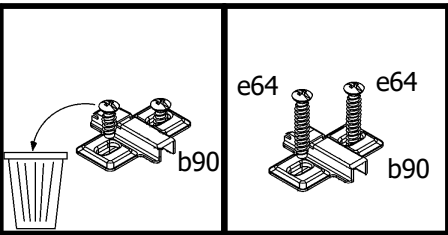
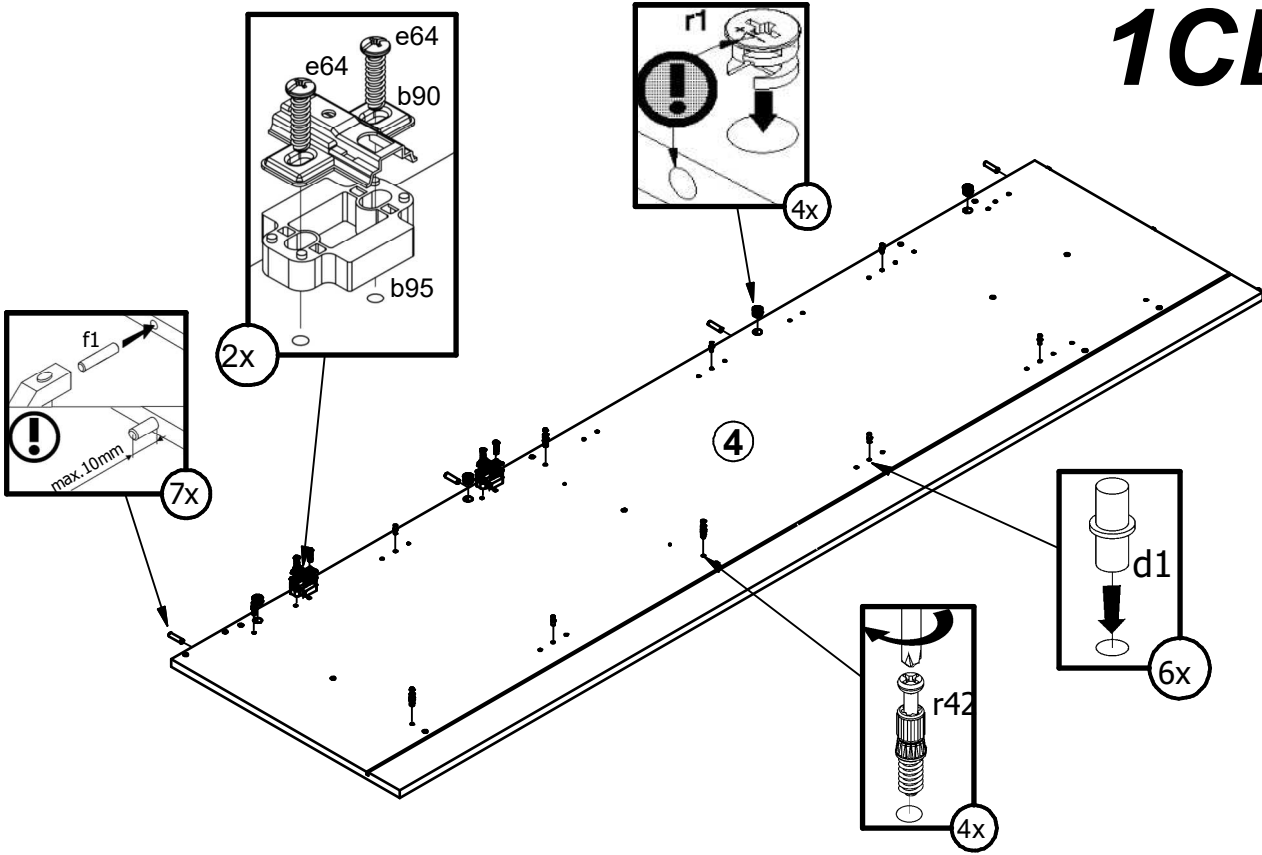
S538-REG3D

73-880---

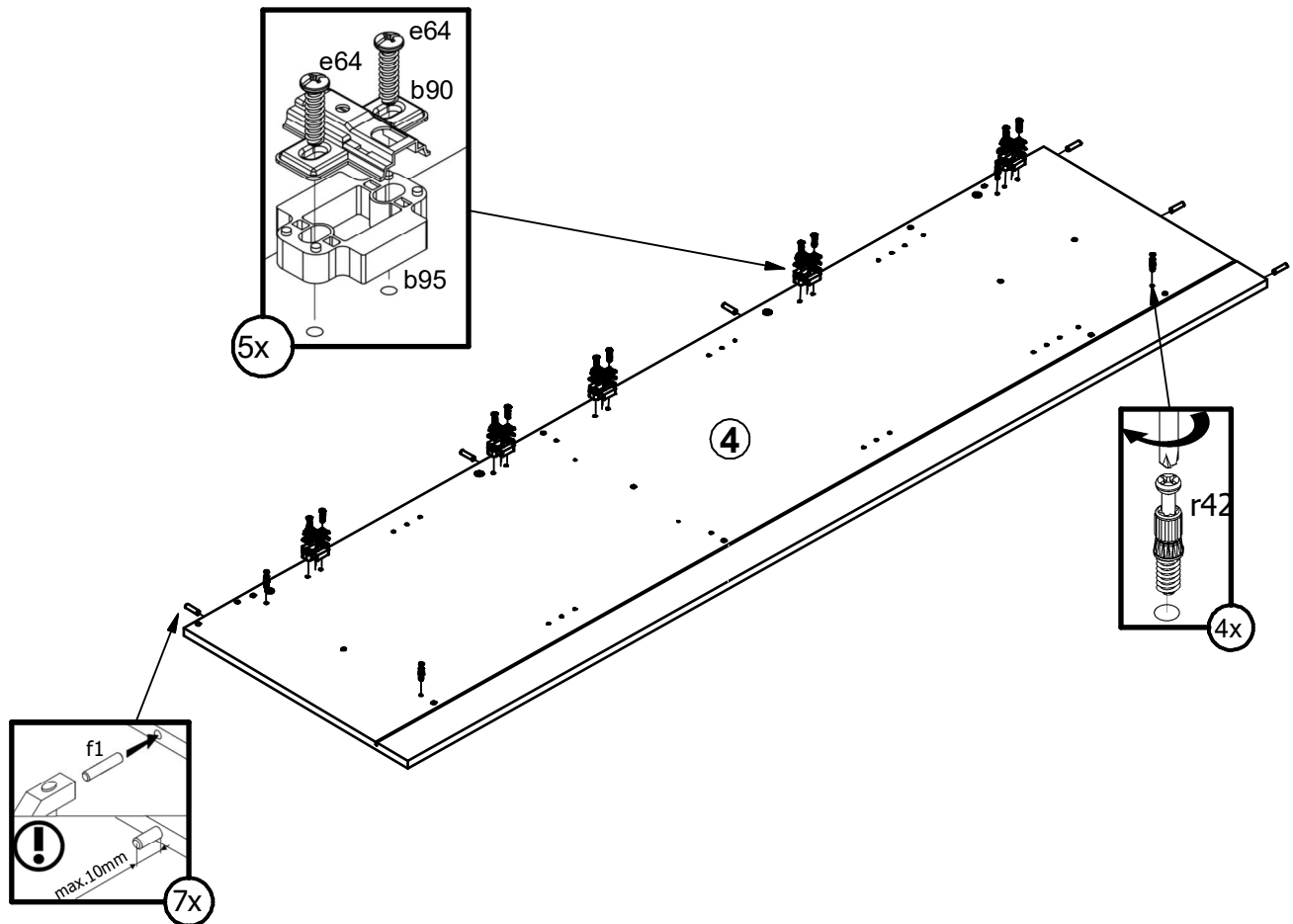
84-882---

10 / 38

1CDF



1E



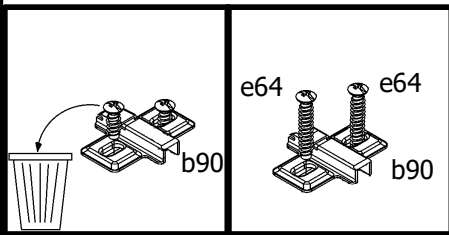
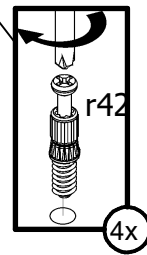
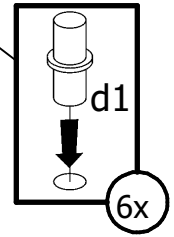
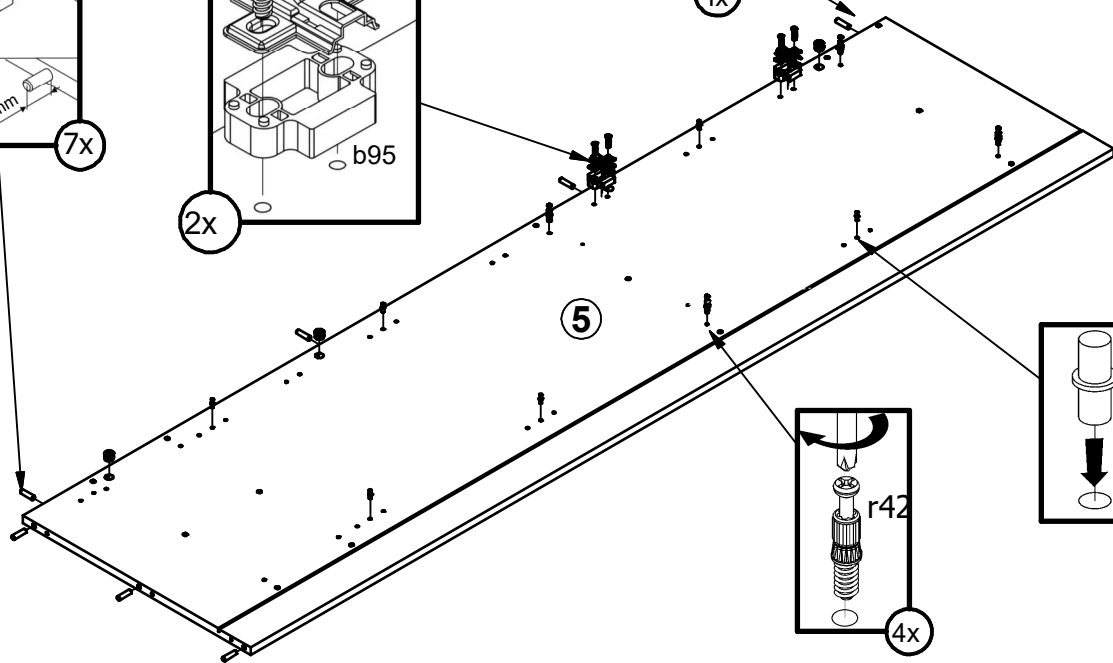
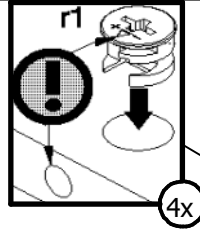
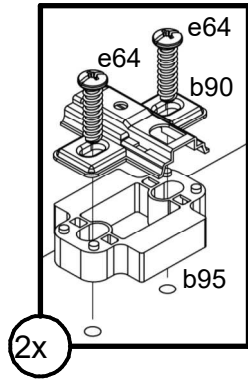
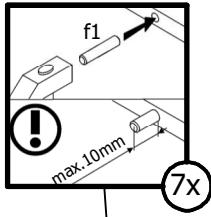
A

S538-REG3D

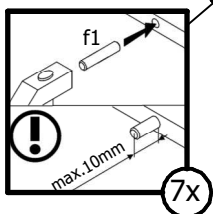
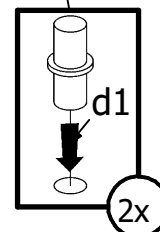
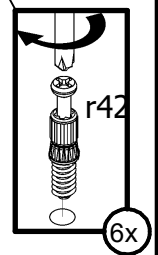
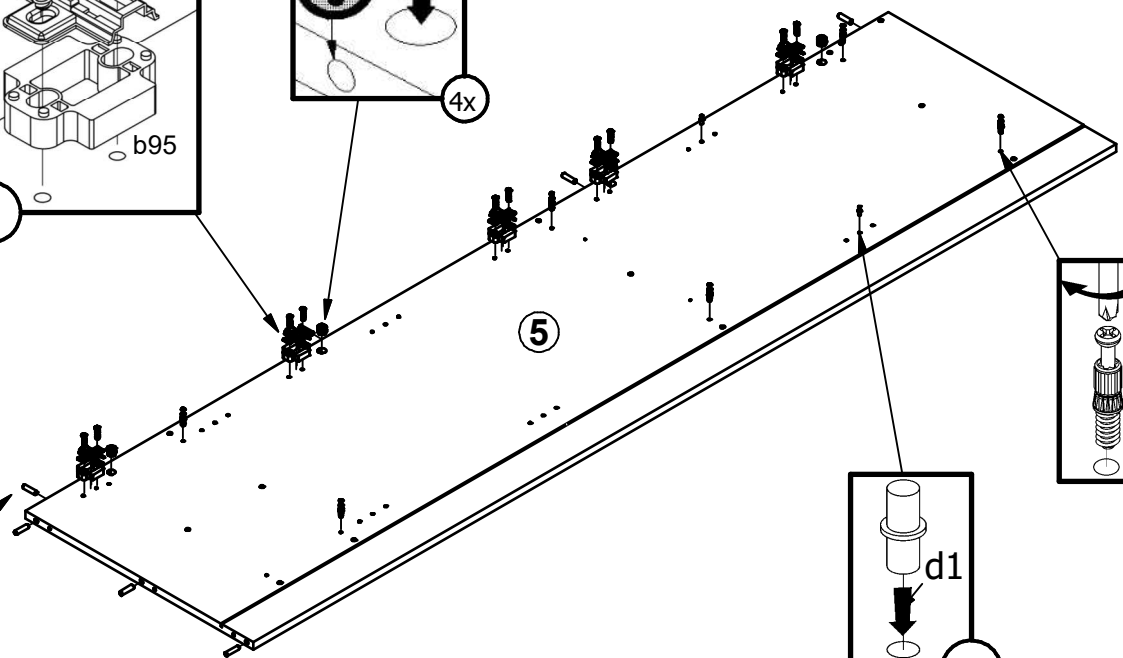
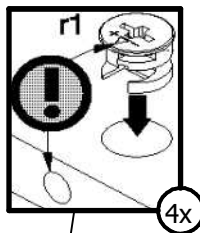
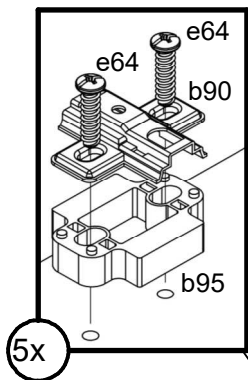
73-880--- 84-882---

11 / 38

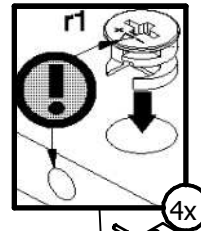
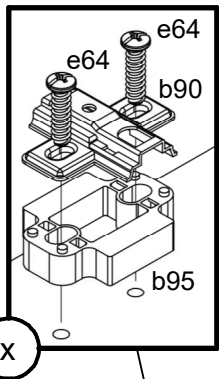
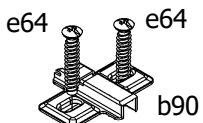
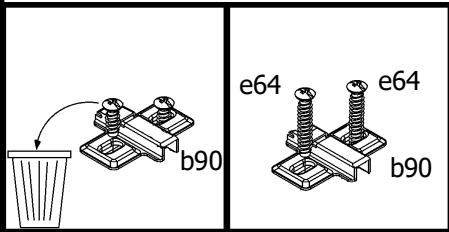
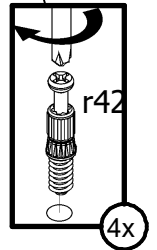
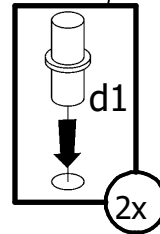
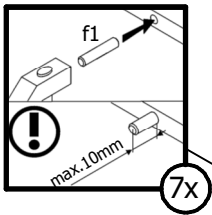
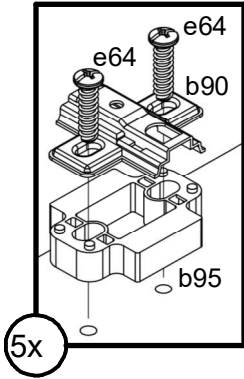
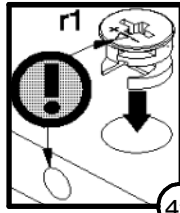
2ABE



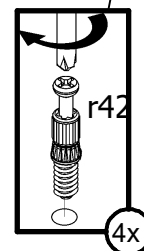
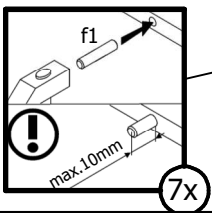
2C



2D



2F

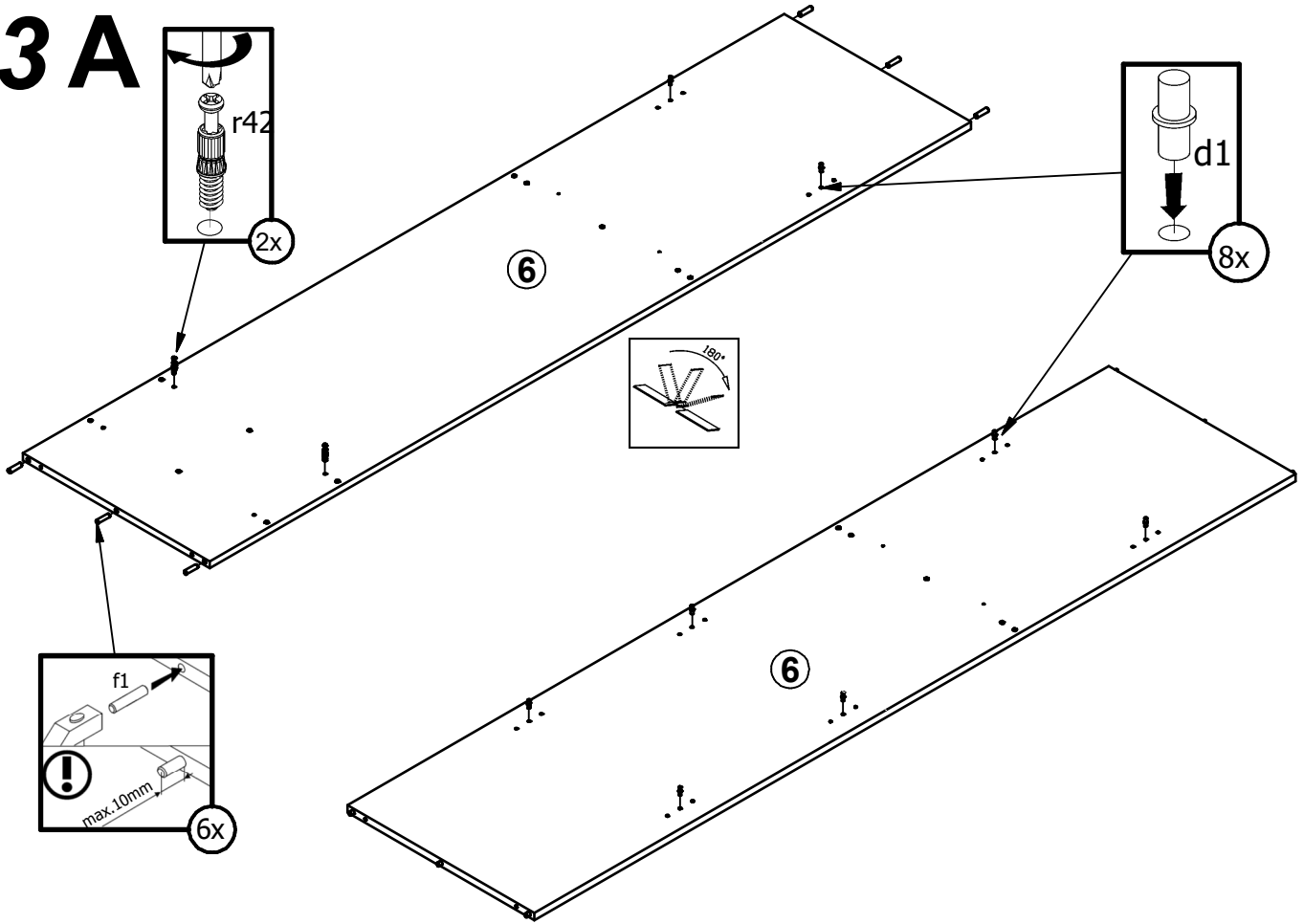


A

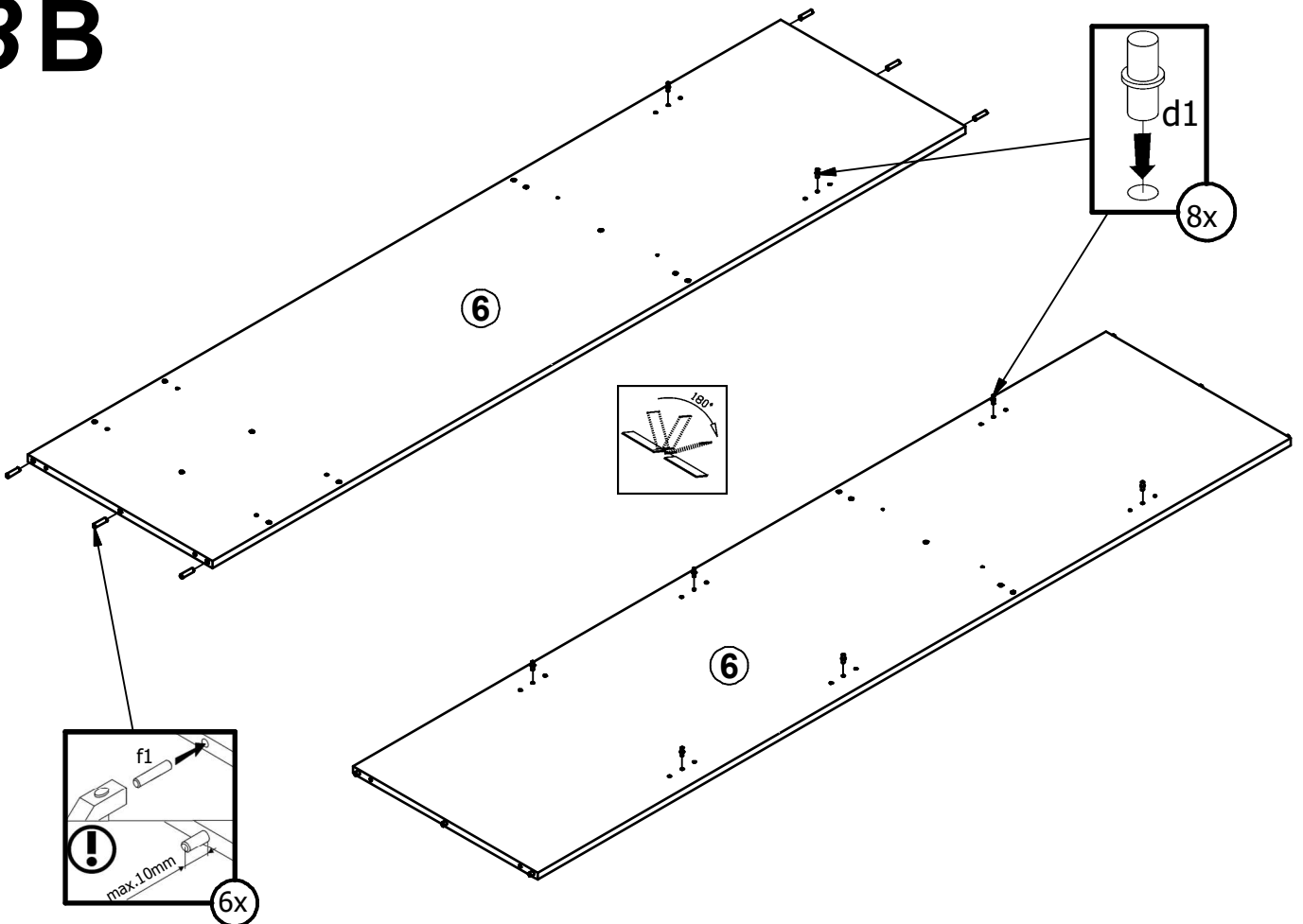
S538-REG3D

73-880--- 84-882--- 13 /38

3 A

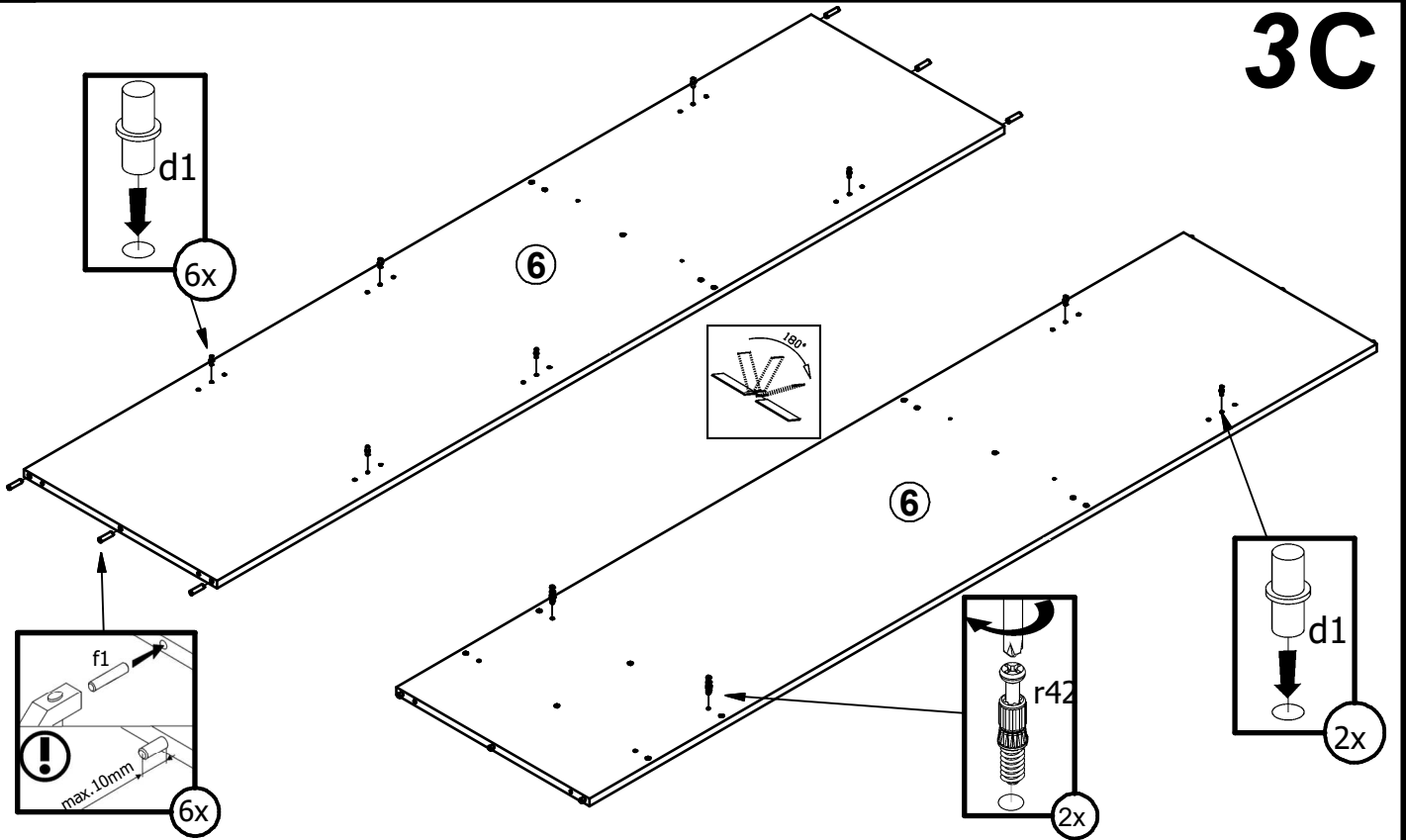
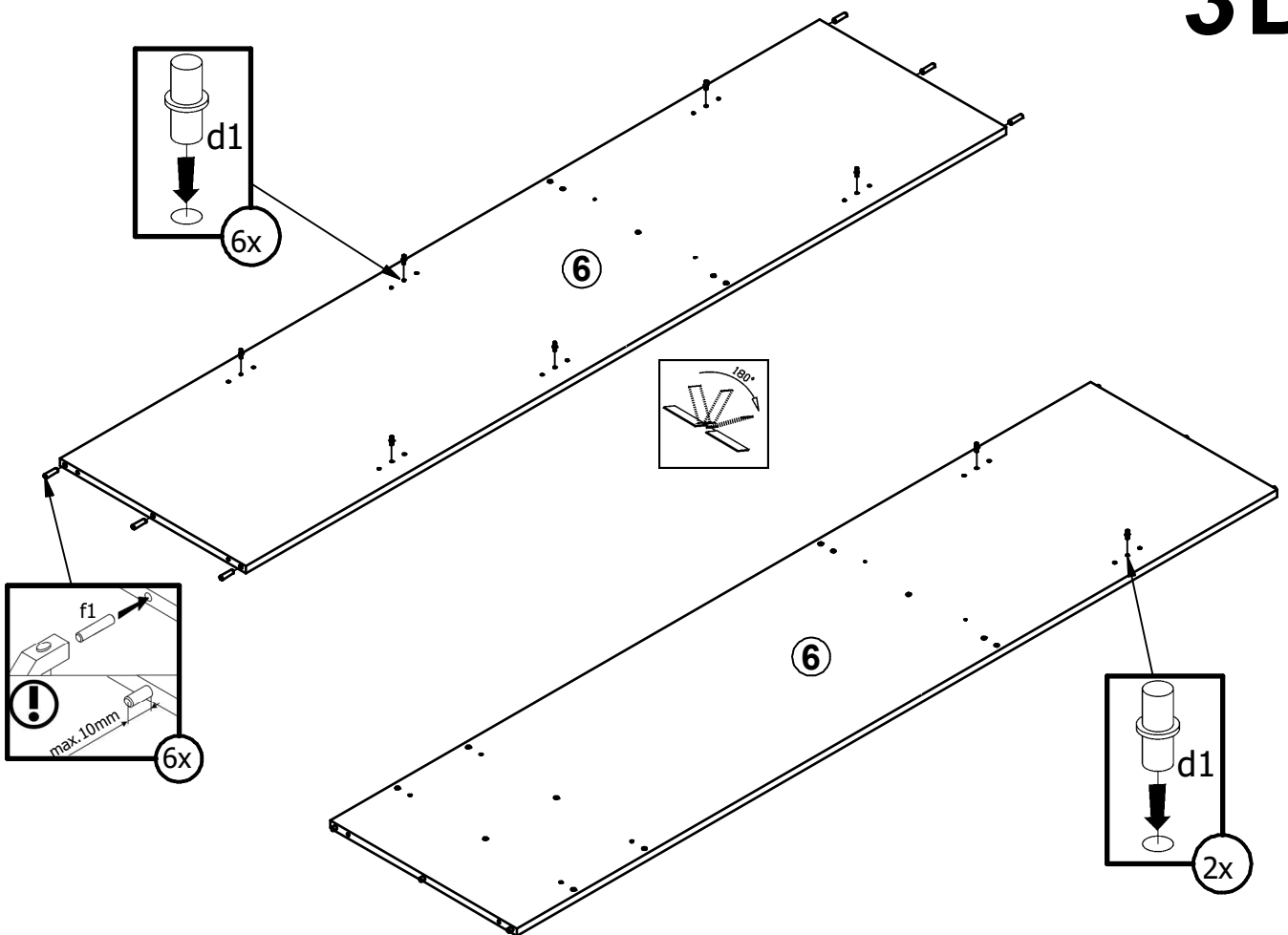


3 B

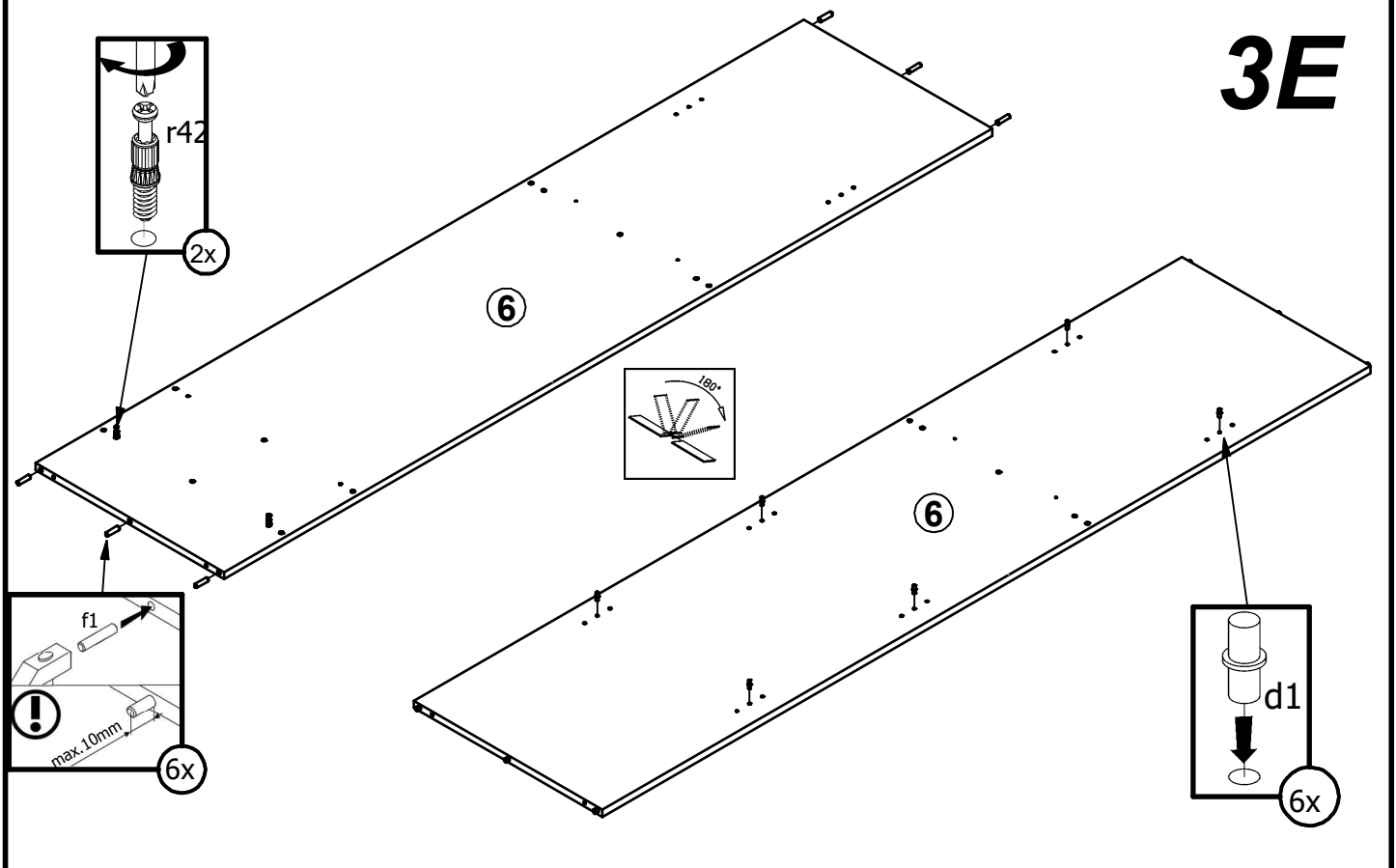


**A****S538-REG3D****73-880--- 84-882---**

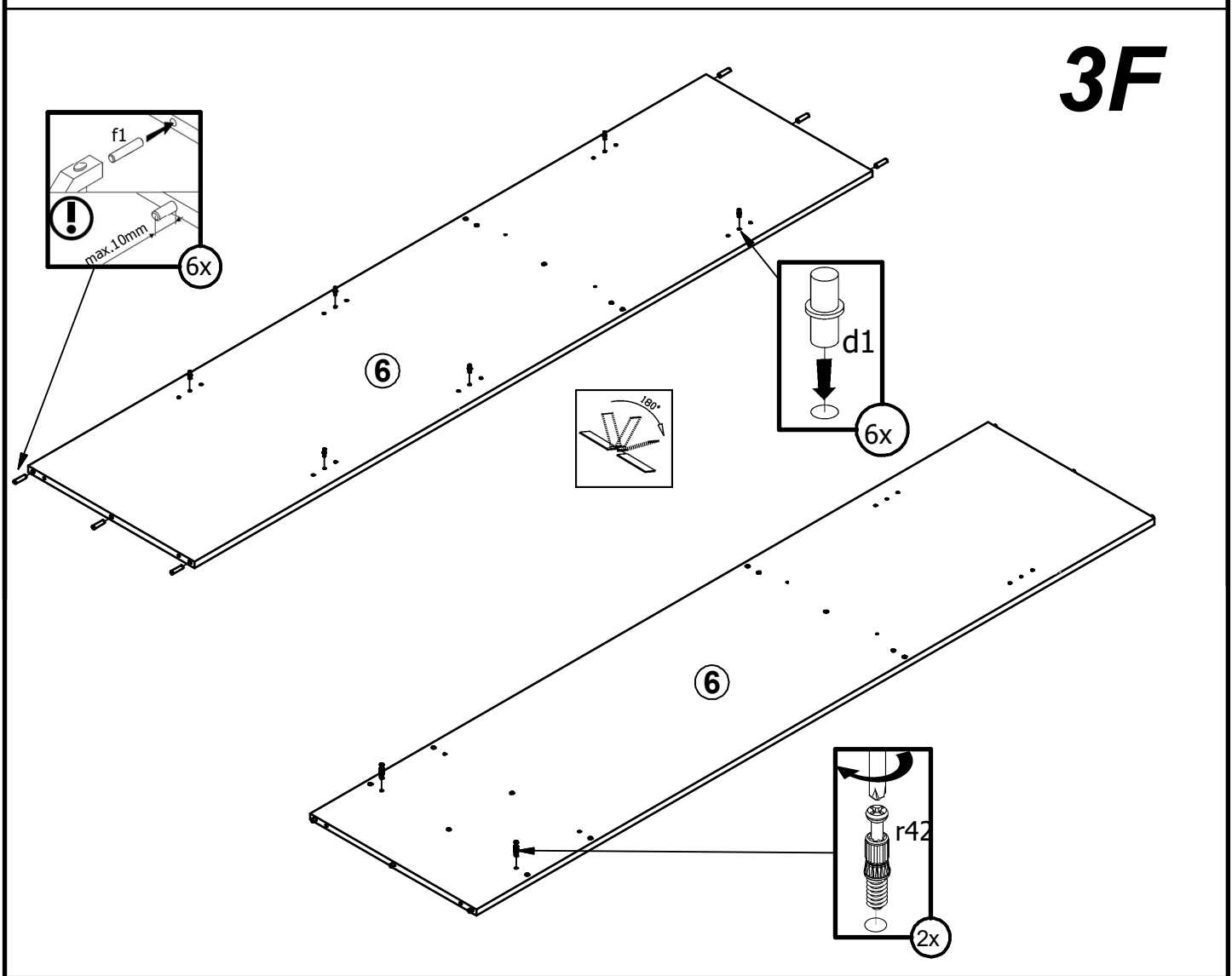
14 / 38

**3C****3D**

# 3E



# 3F

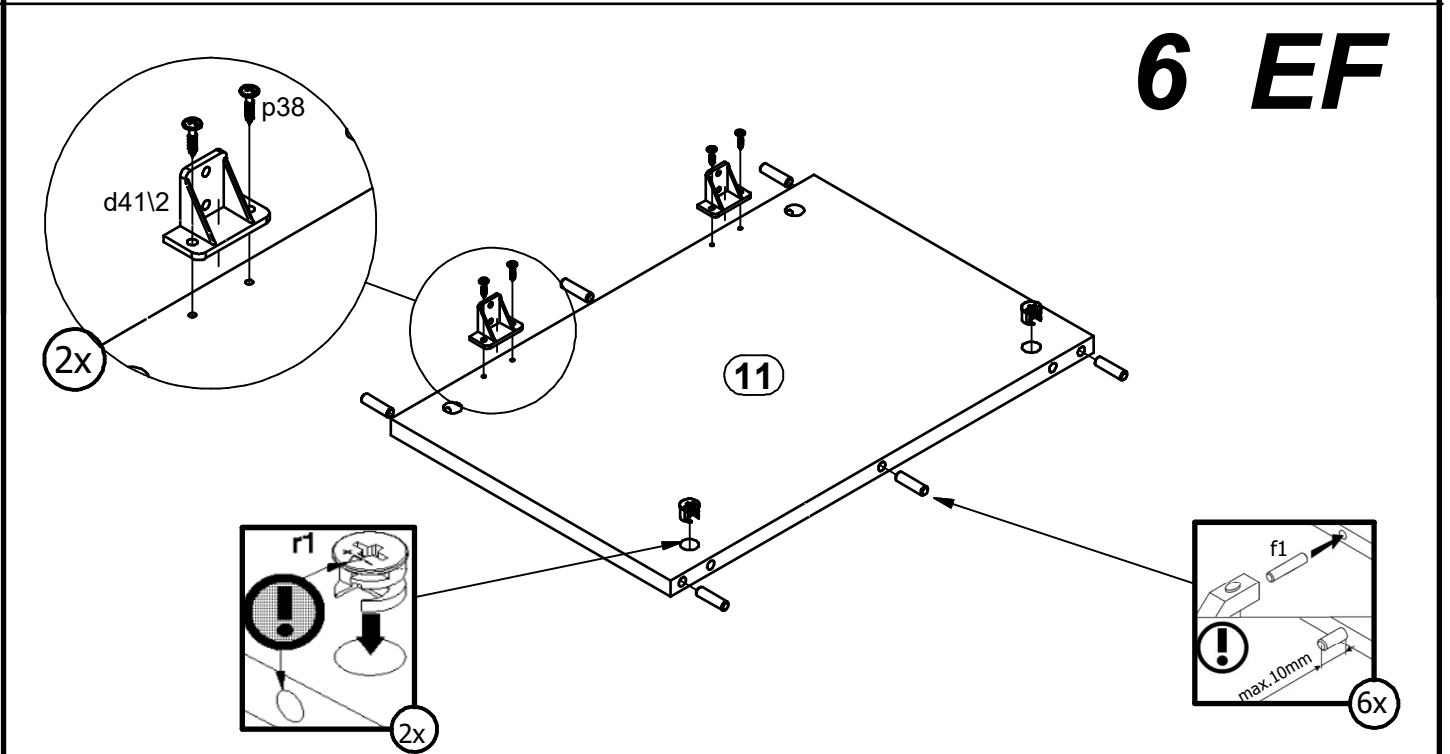
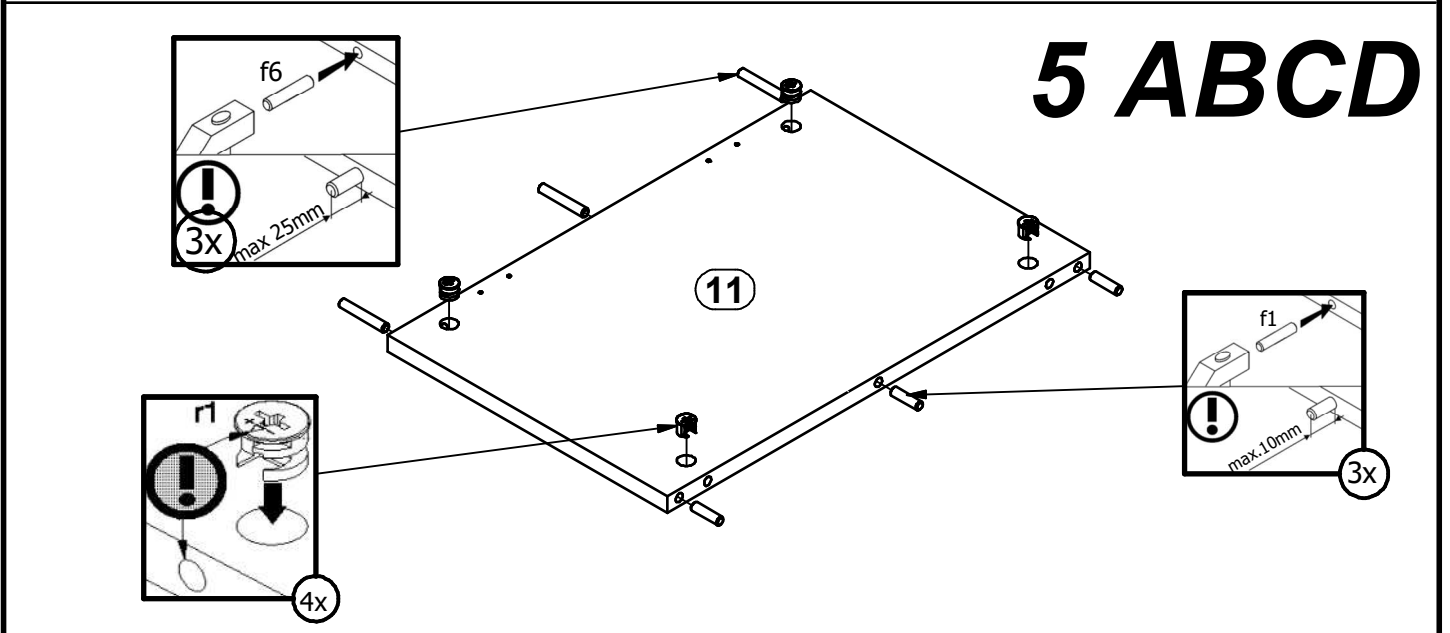
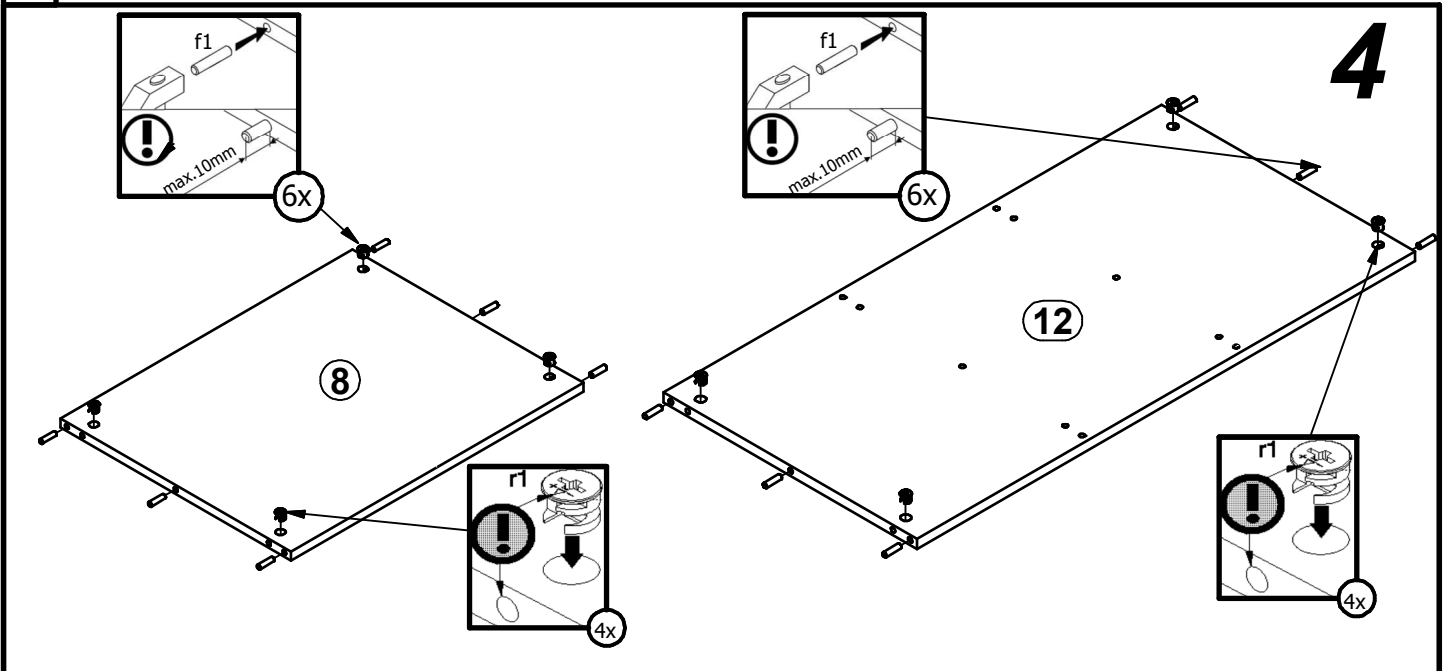


**A**

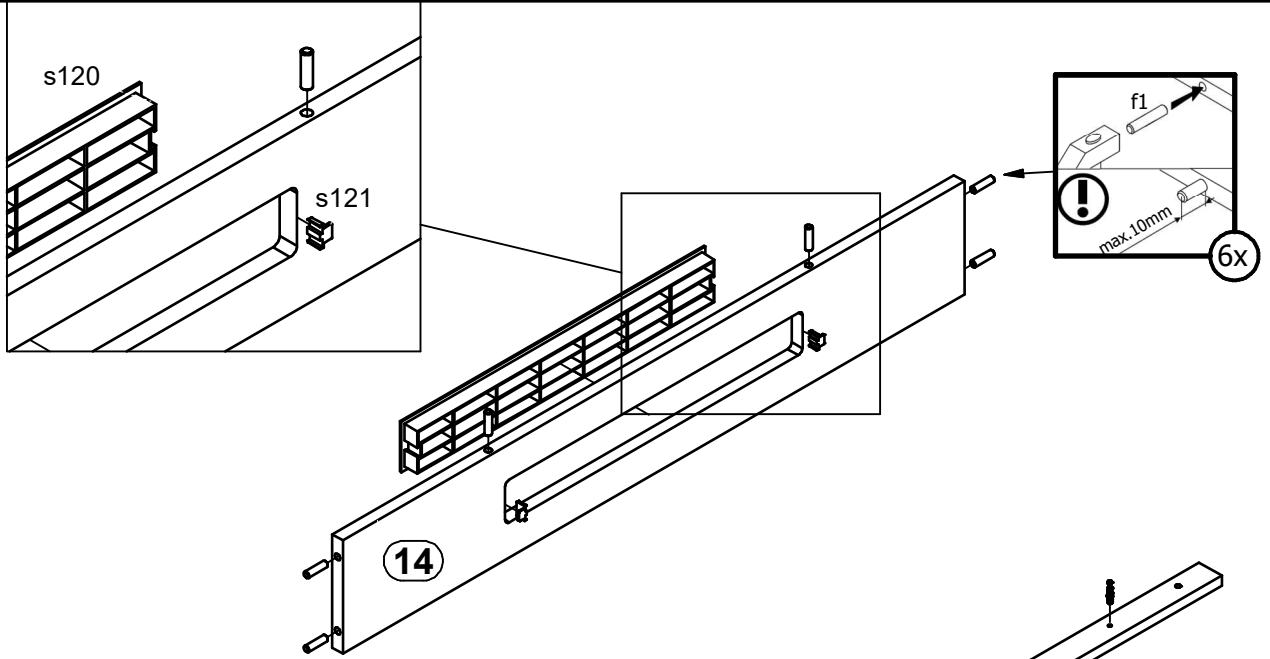
**S538-REG3D**

**73-880--- 84-882---**

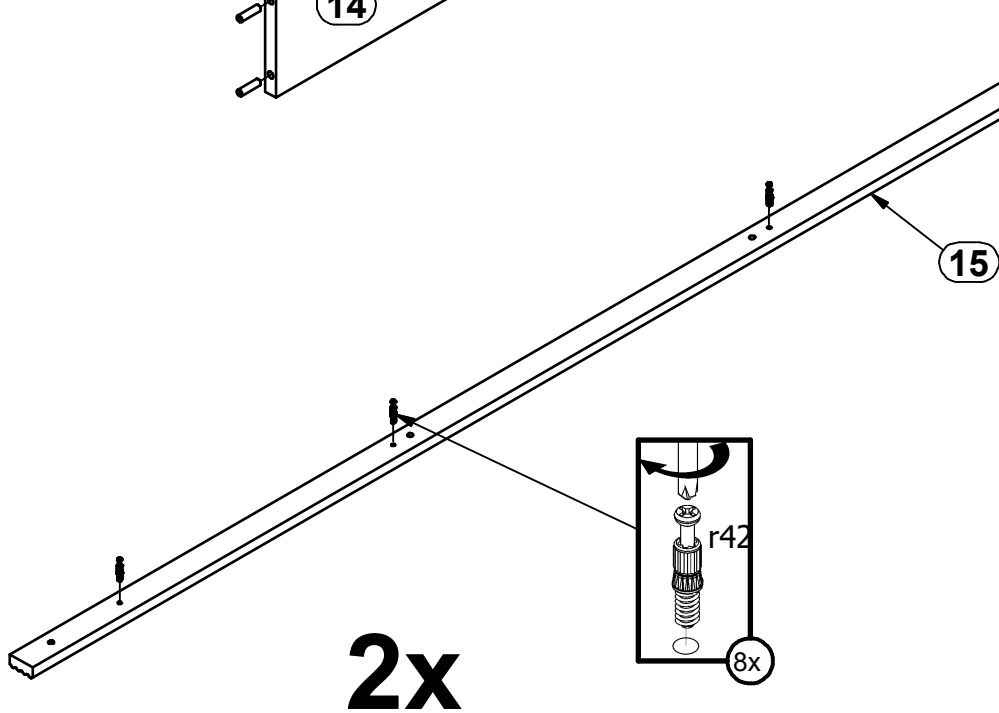
16 / 38



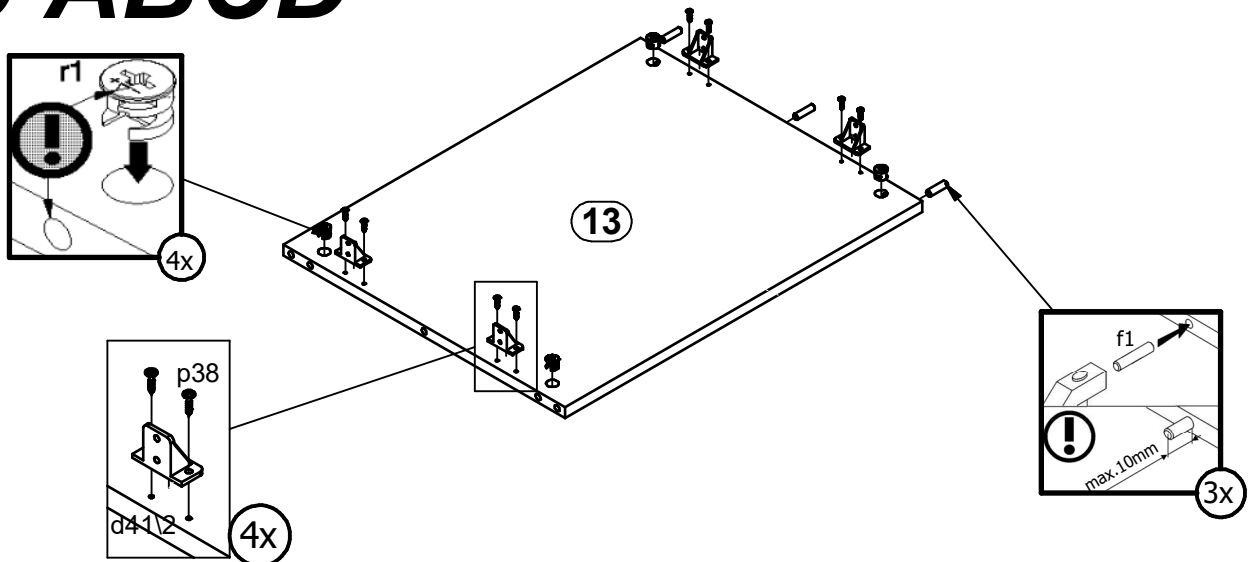
7



8

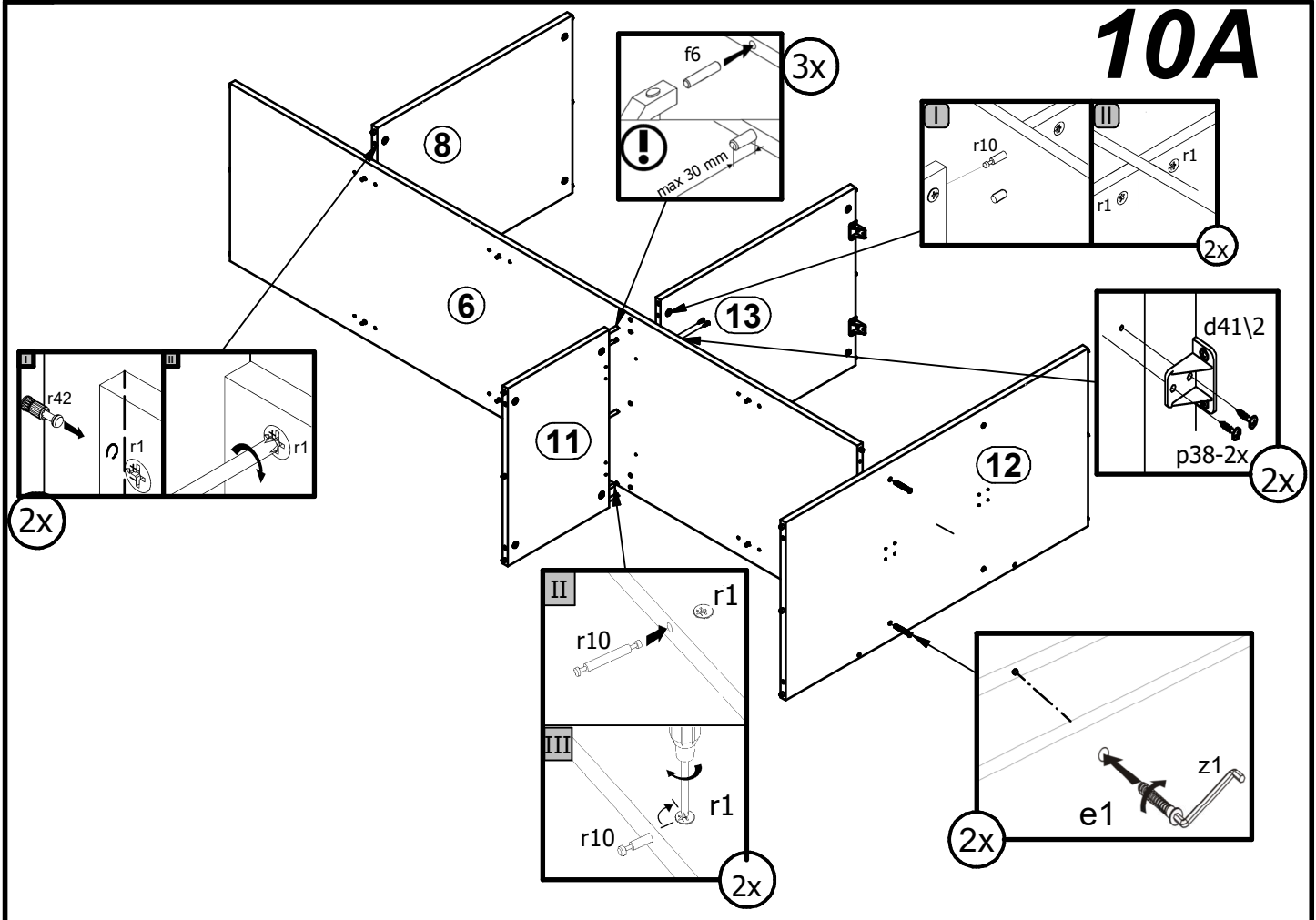


9 ABCD

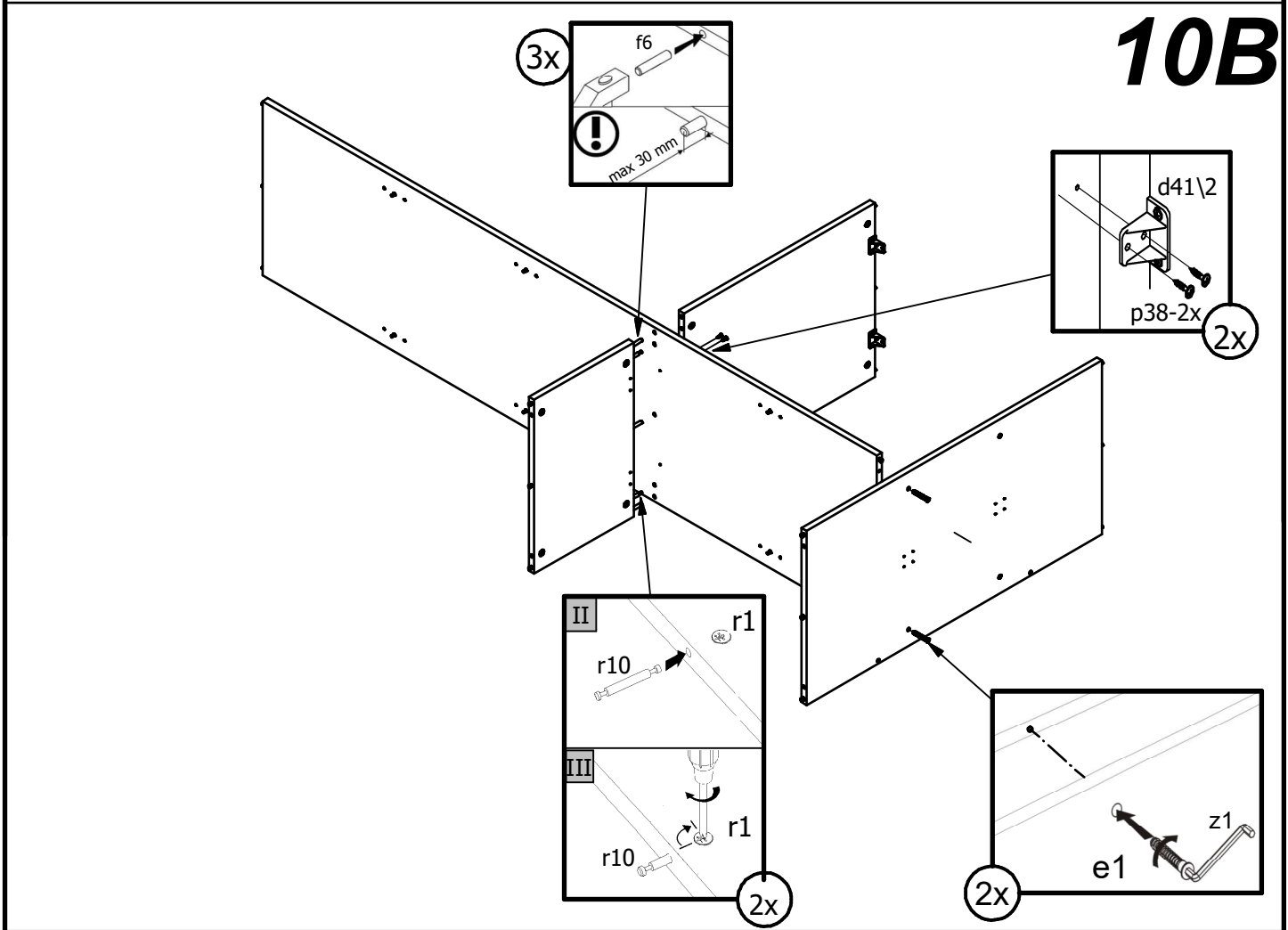




# 10A

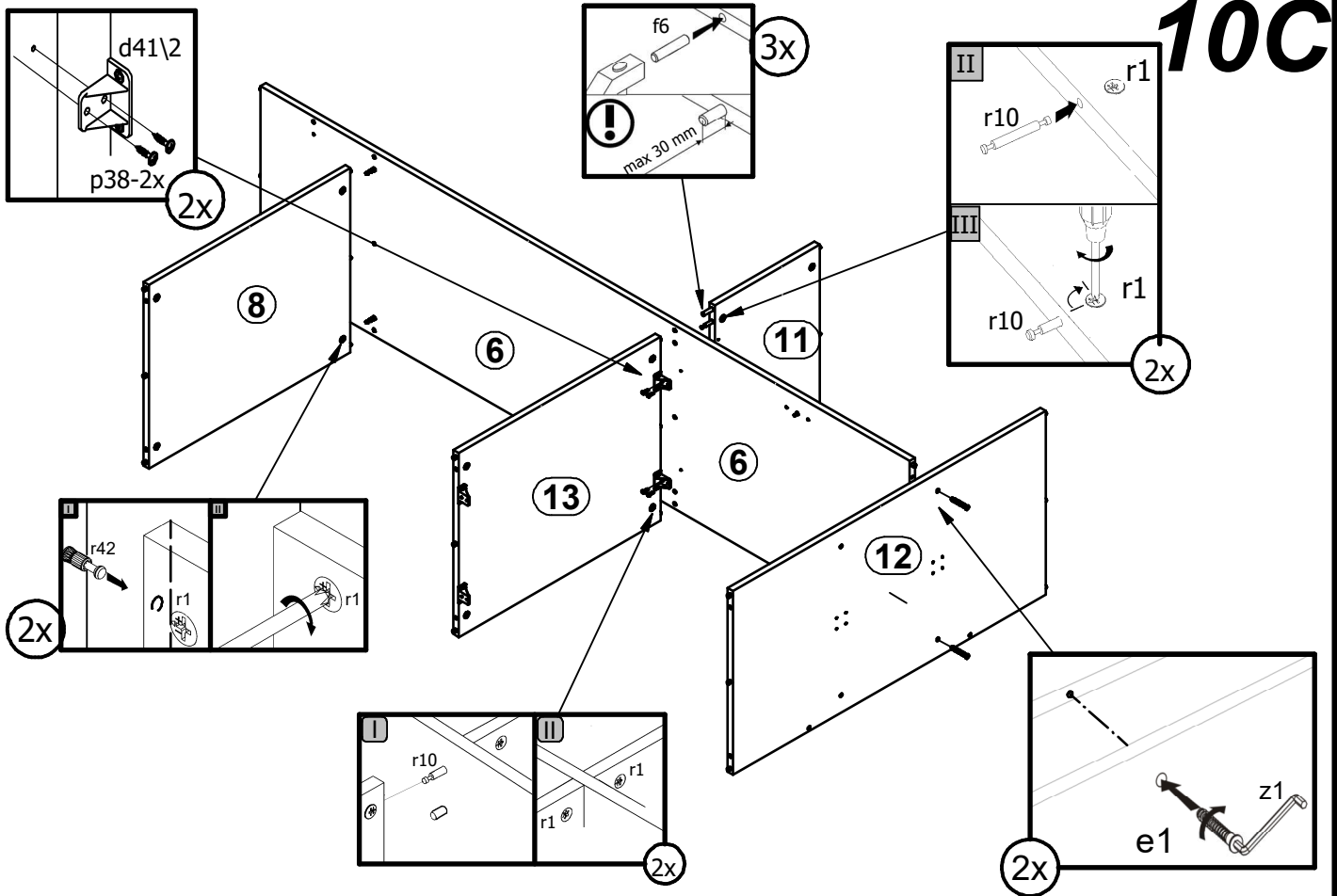
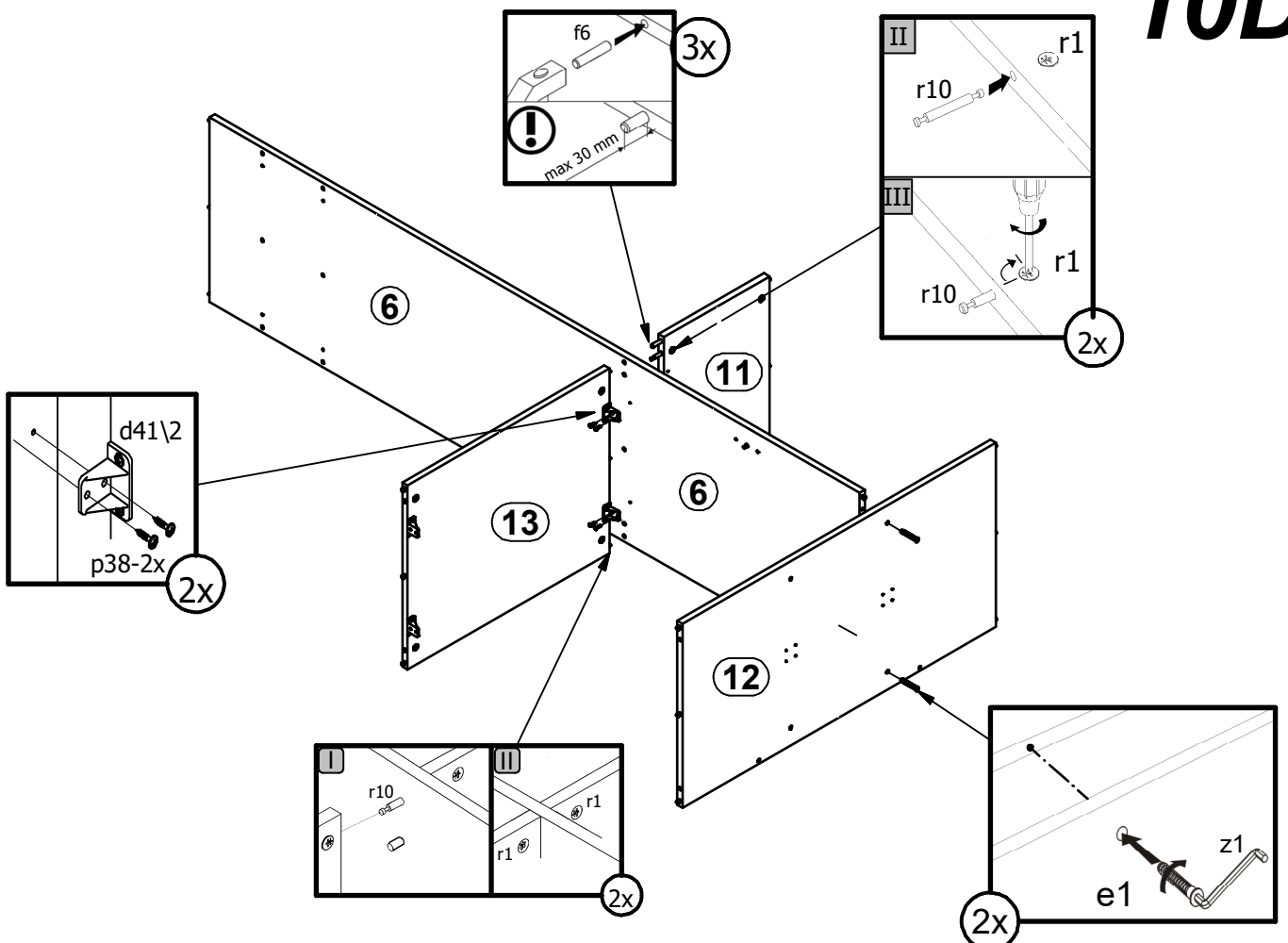


# 10B

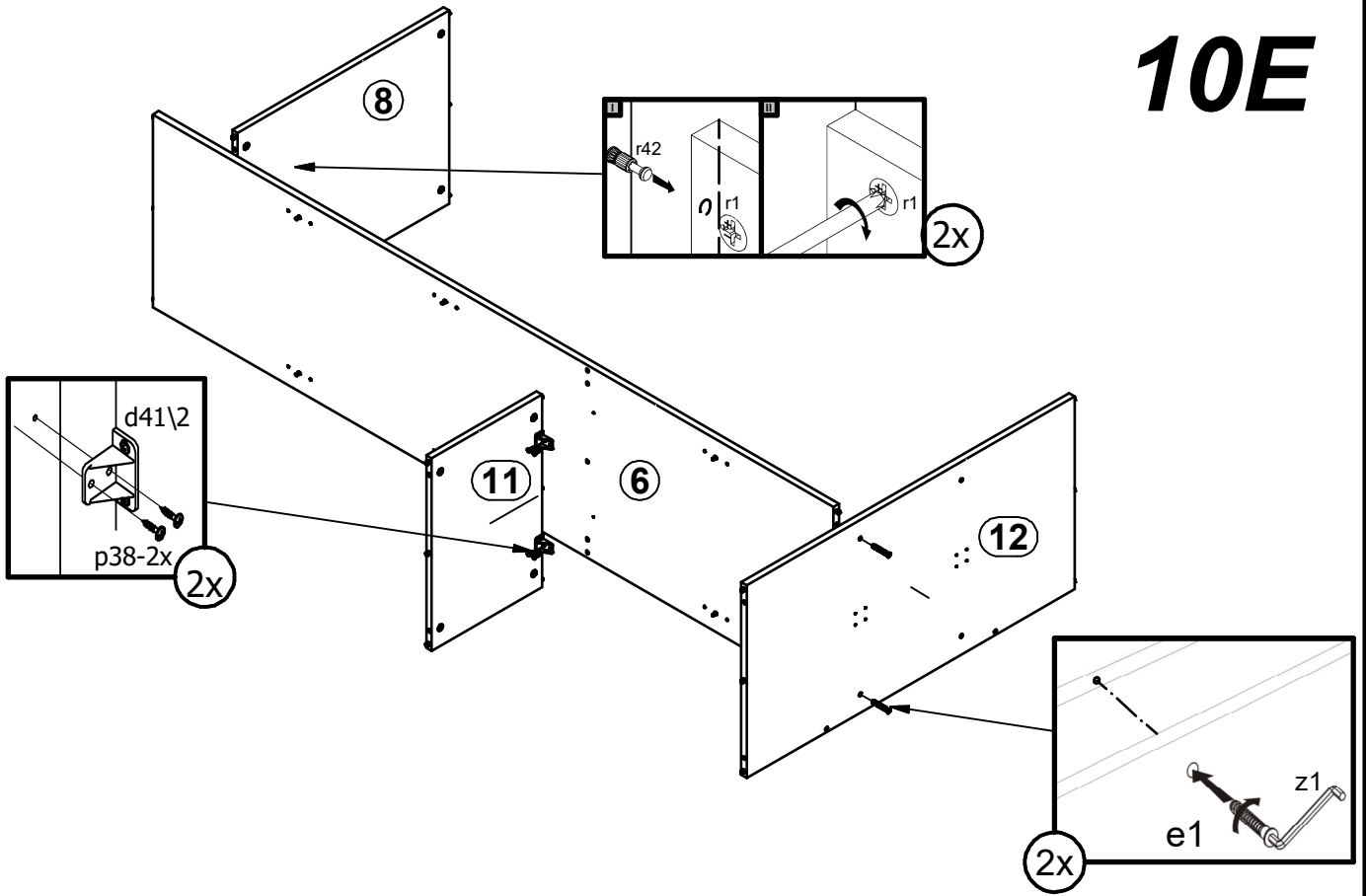


**A****S538-REG3D****73-880--- 84-882---**

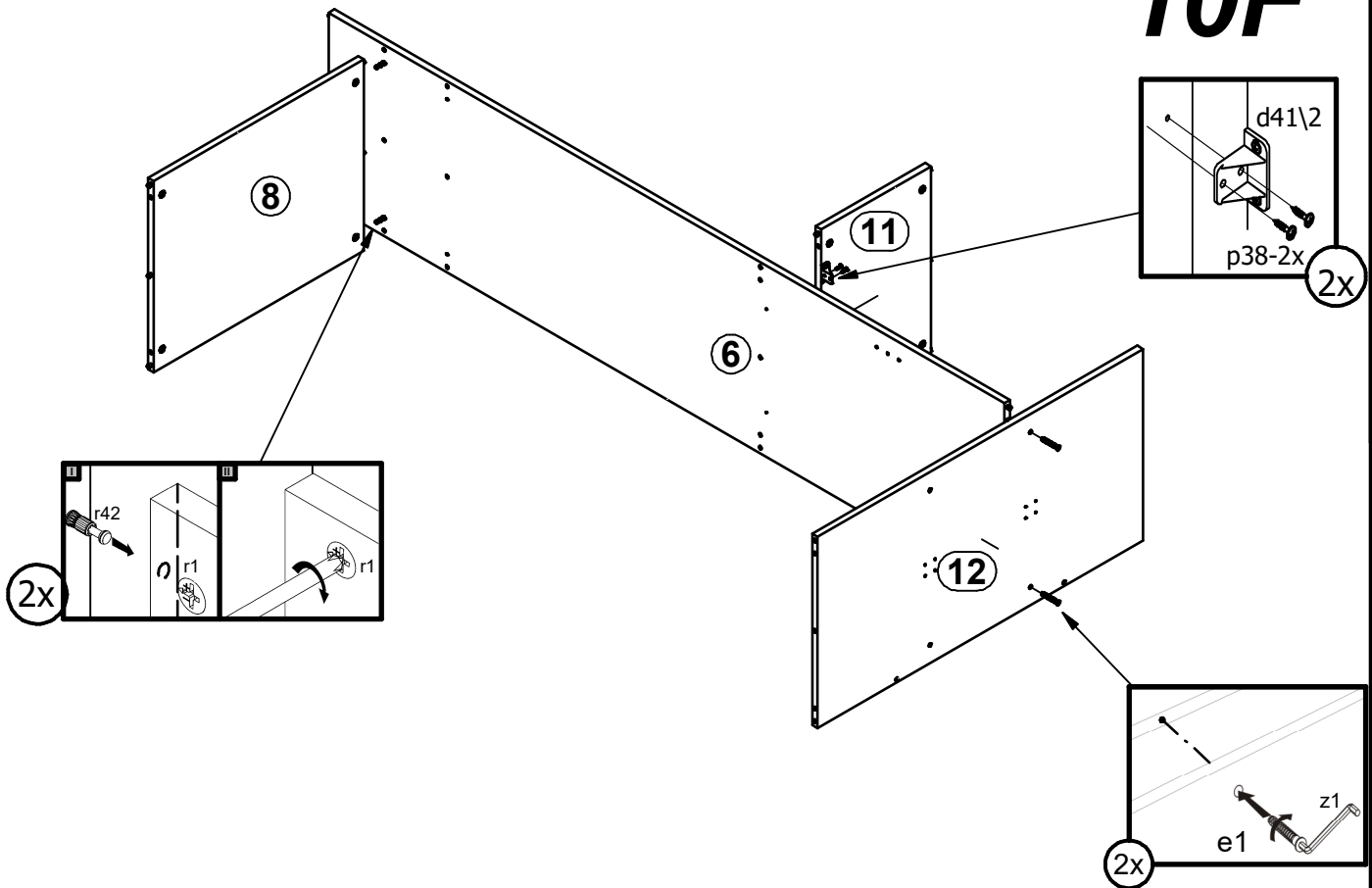
19 / 38

**10D**

# 10E



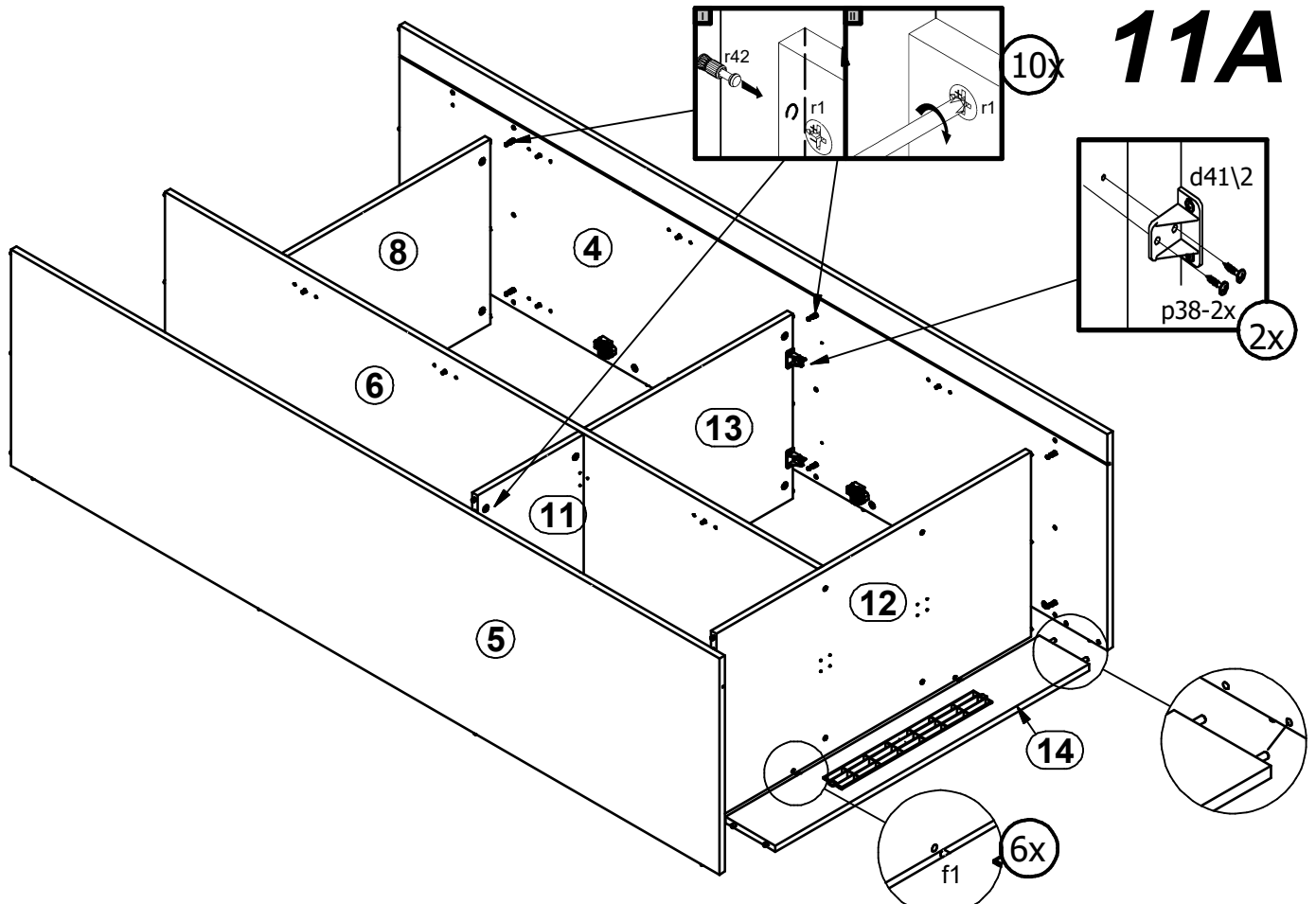
# 10F



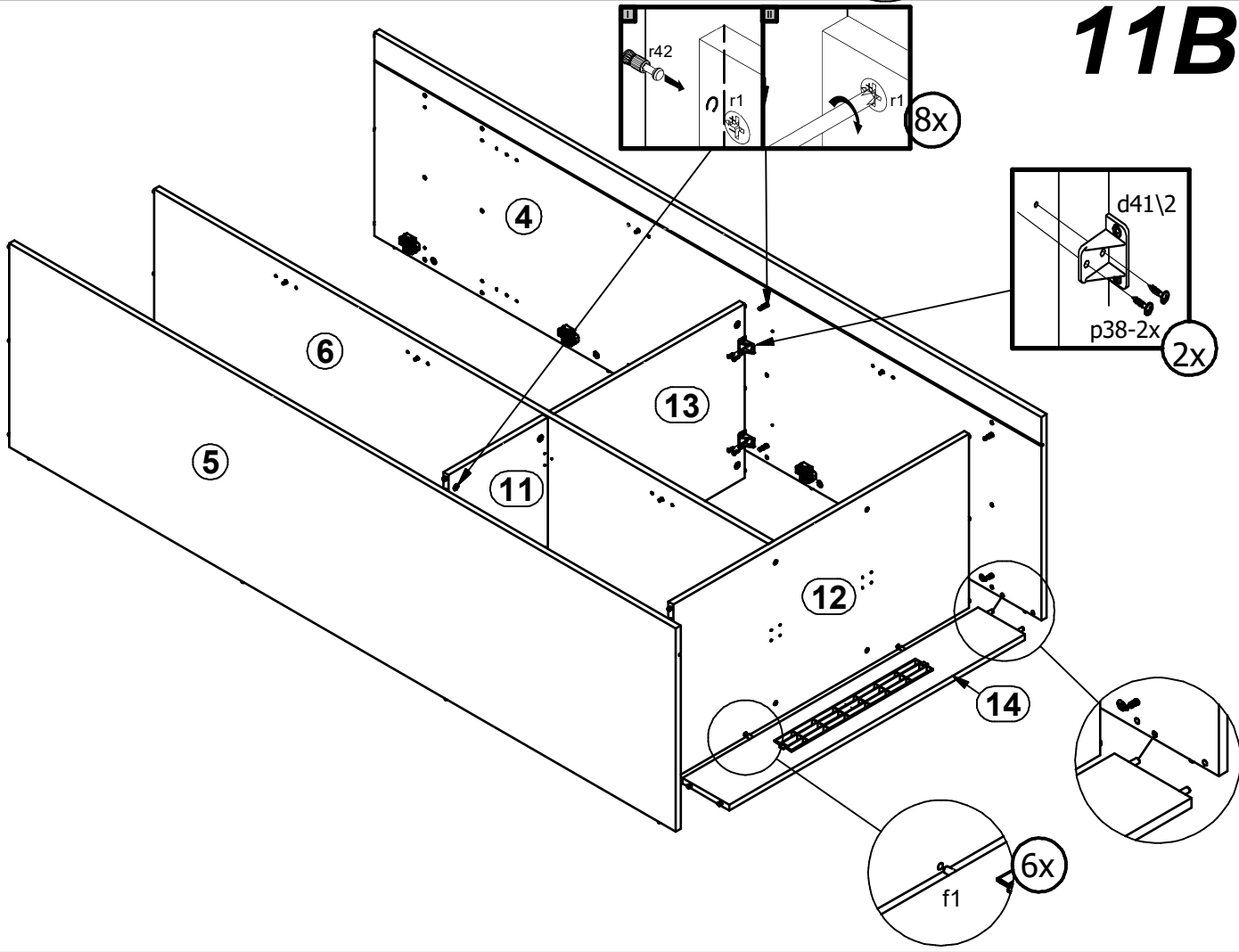
A

S538-REG3D

73-880--- 84-882--- 21 /38



11A



11B

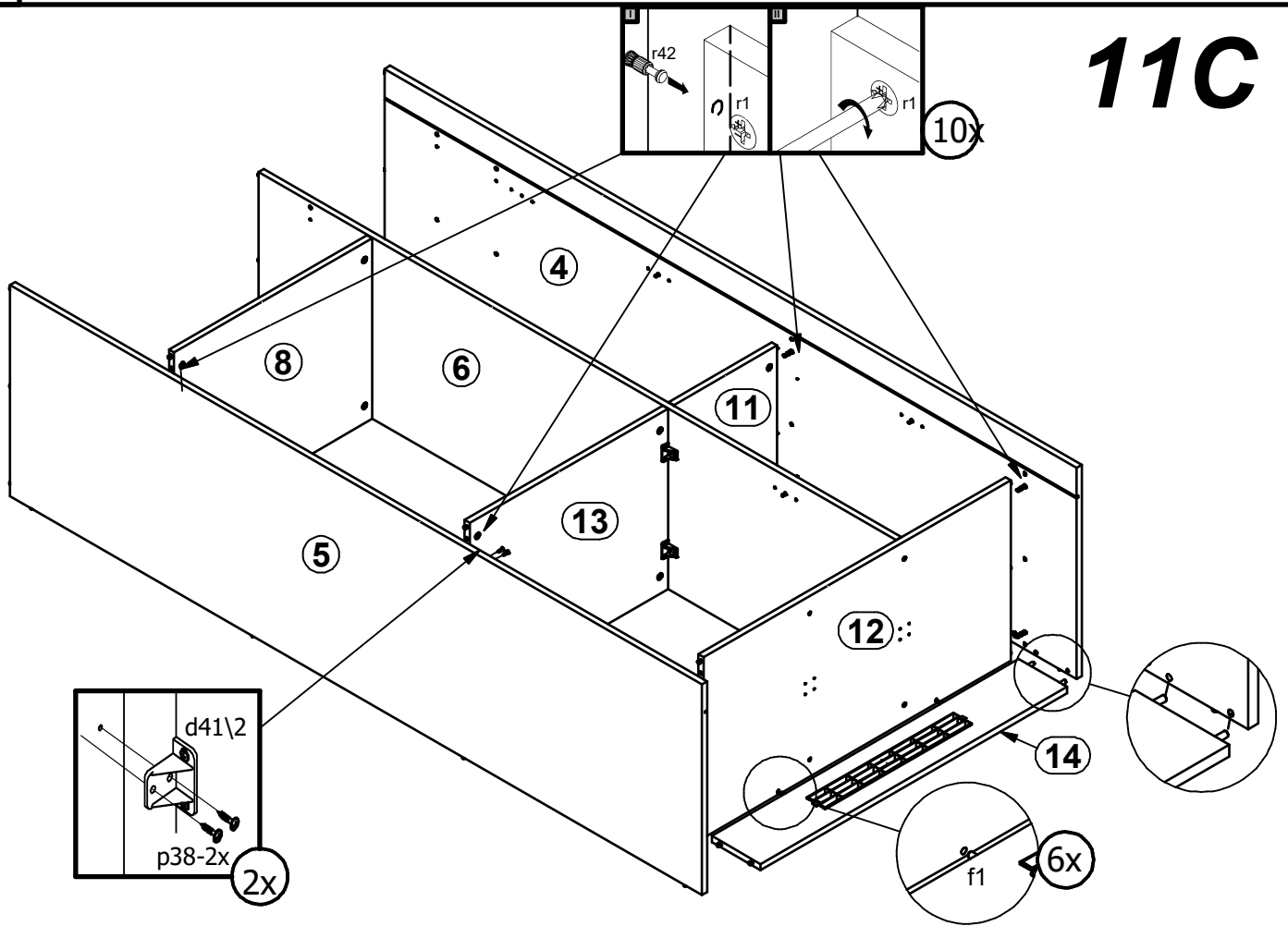
A

S538-REG3D

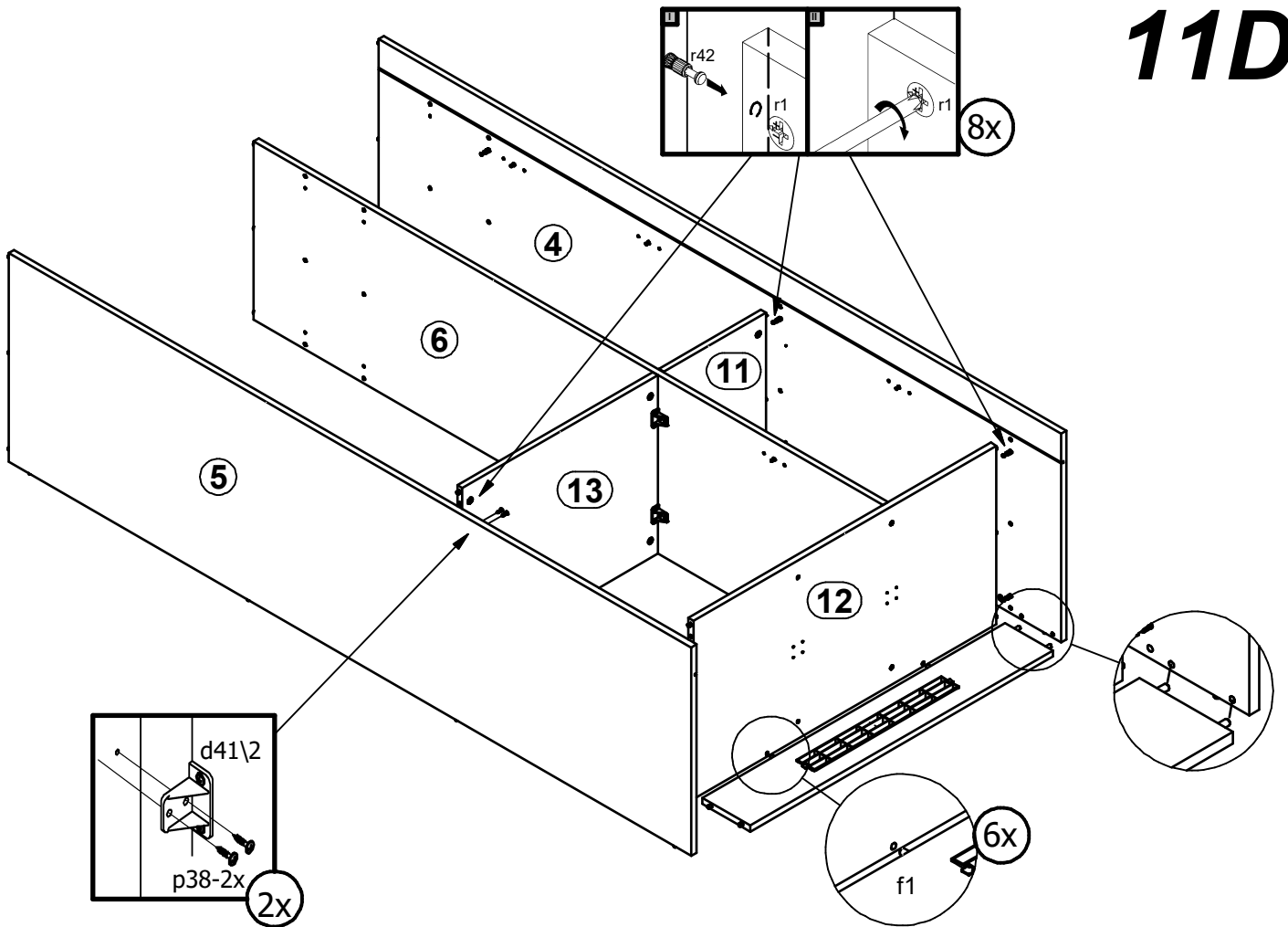
73-880--- 84-882---

22 / 38

11C



11D



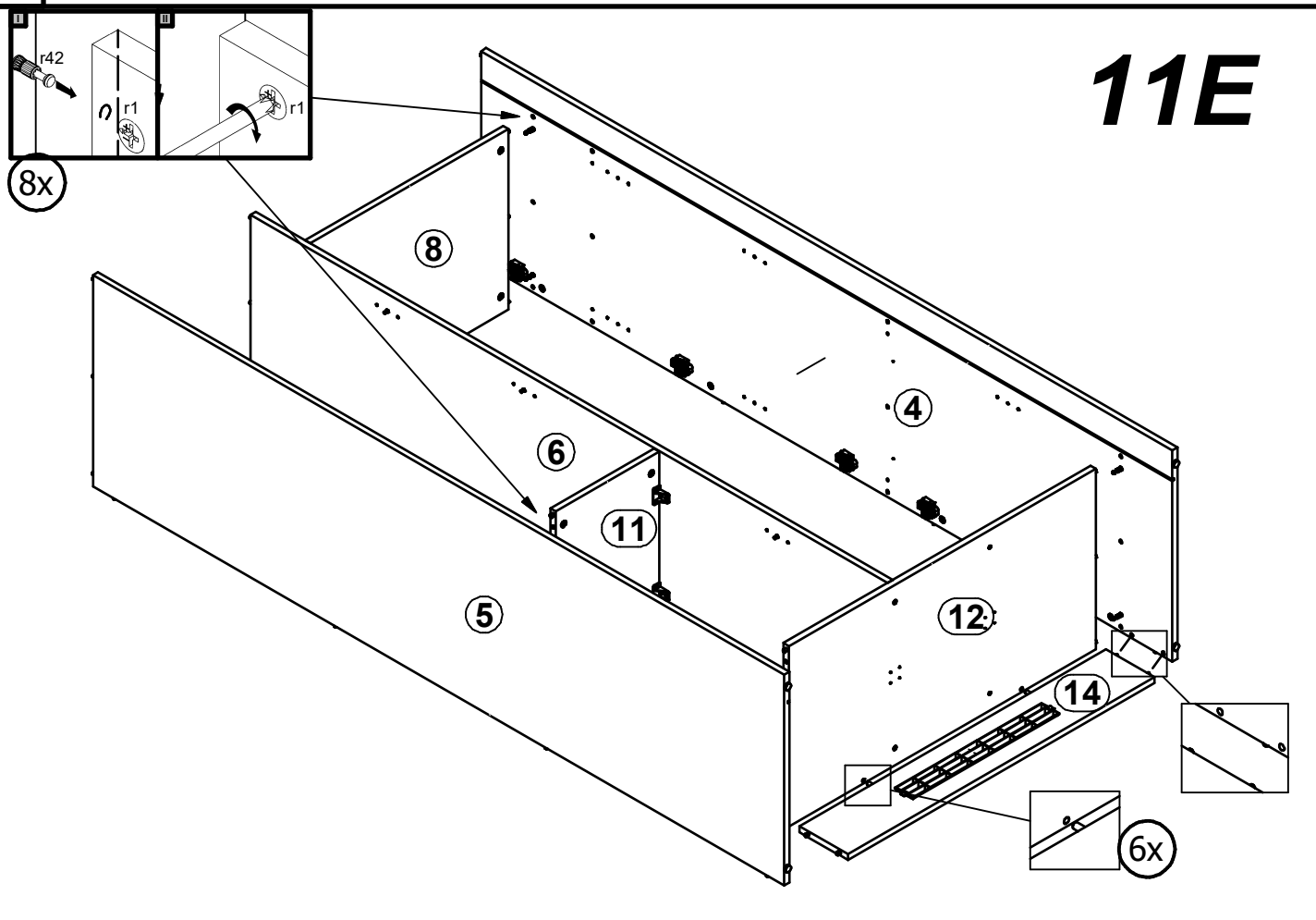
A

S538-REG3D

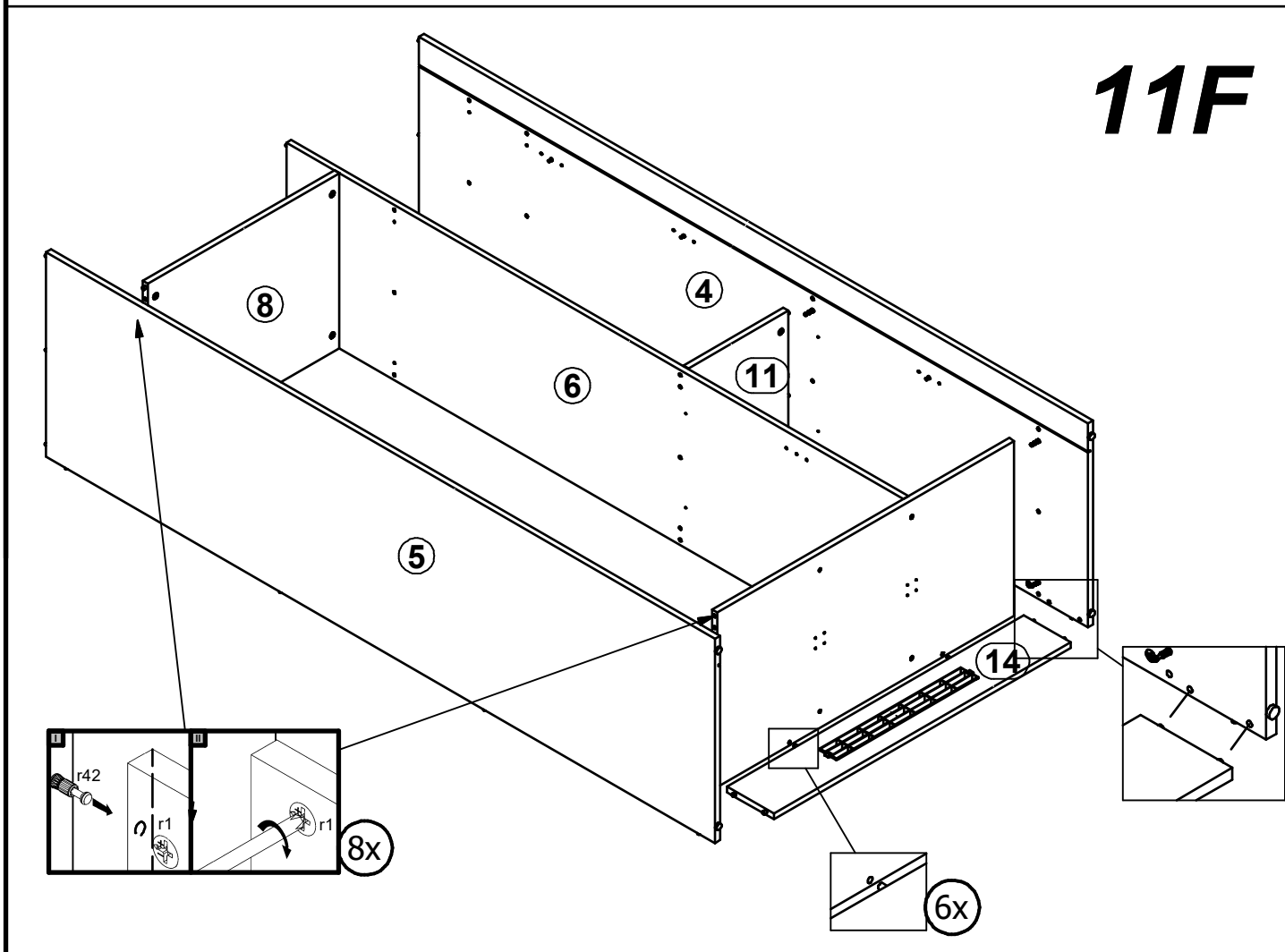
73-880--- 84-882---

23 / 38

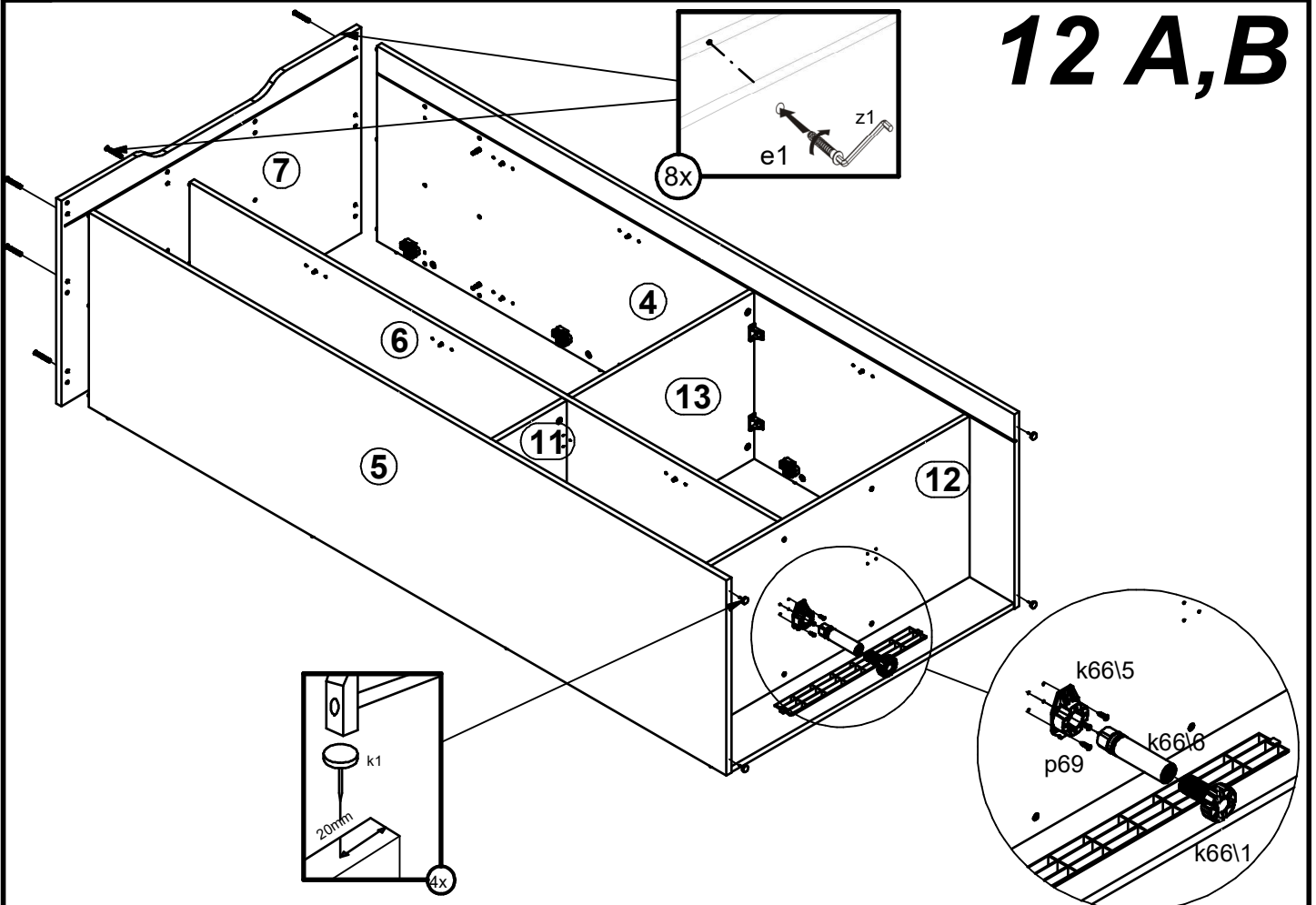
11E



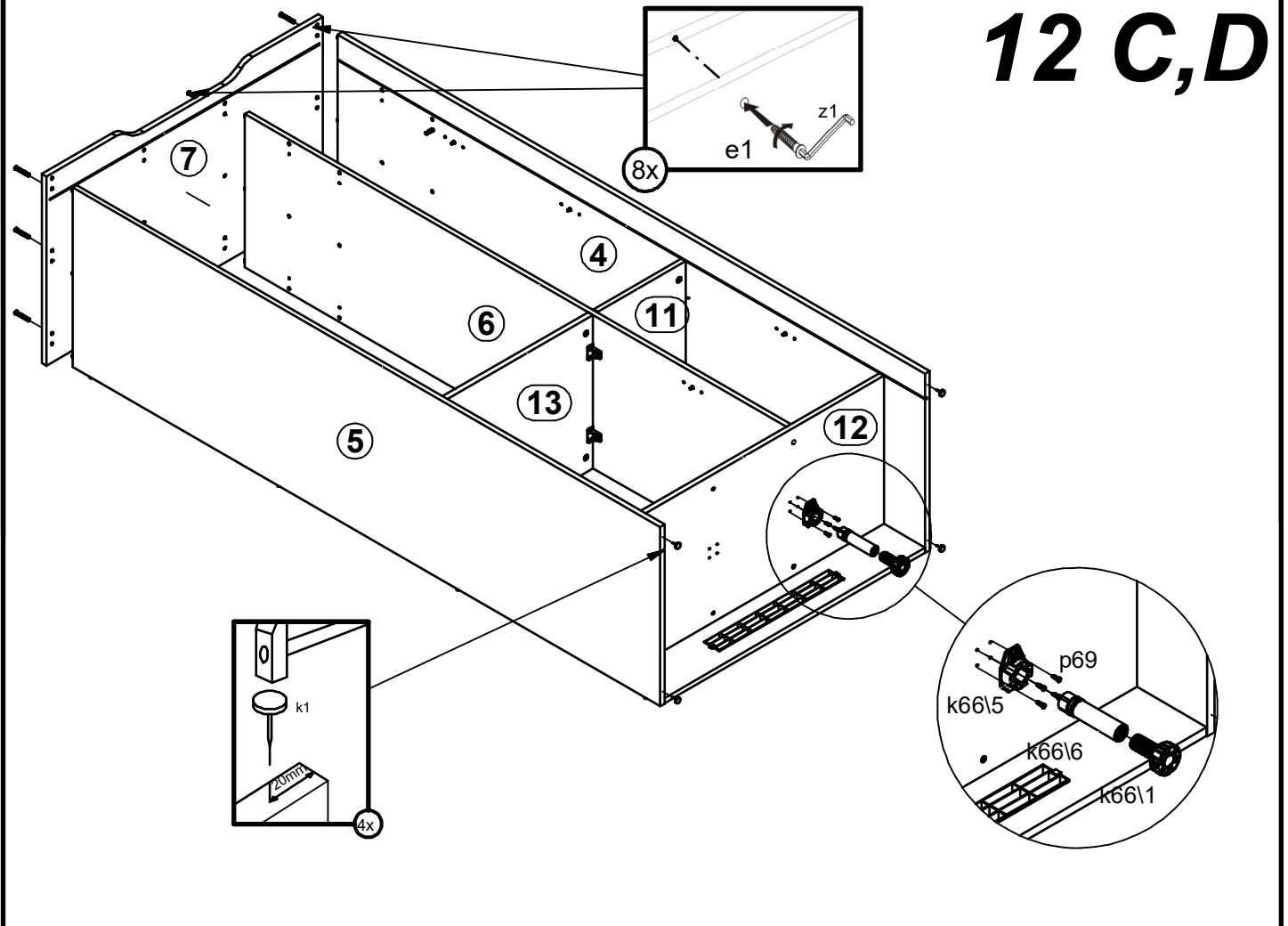
11F



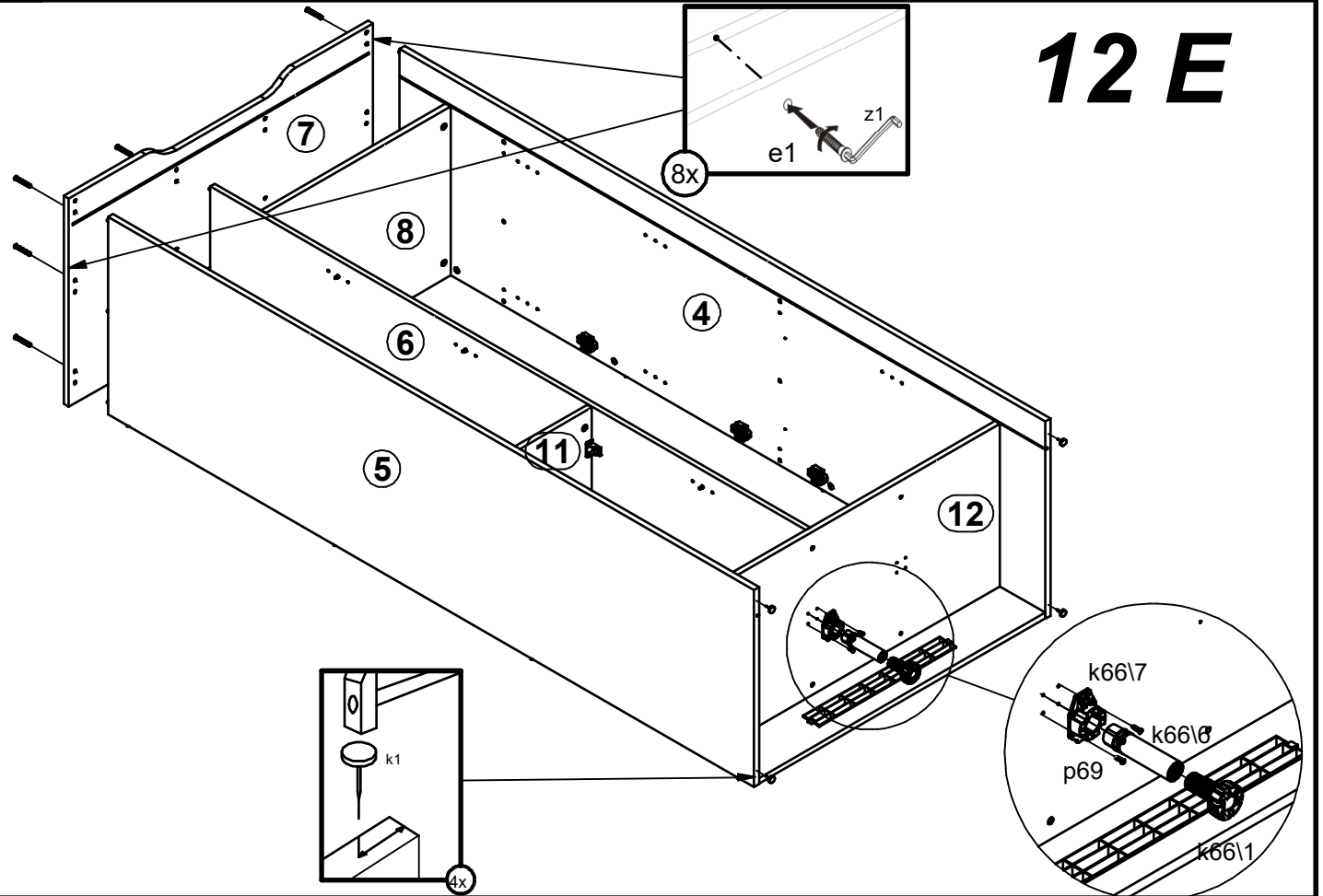
# 12 A,B



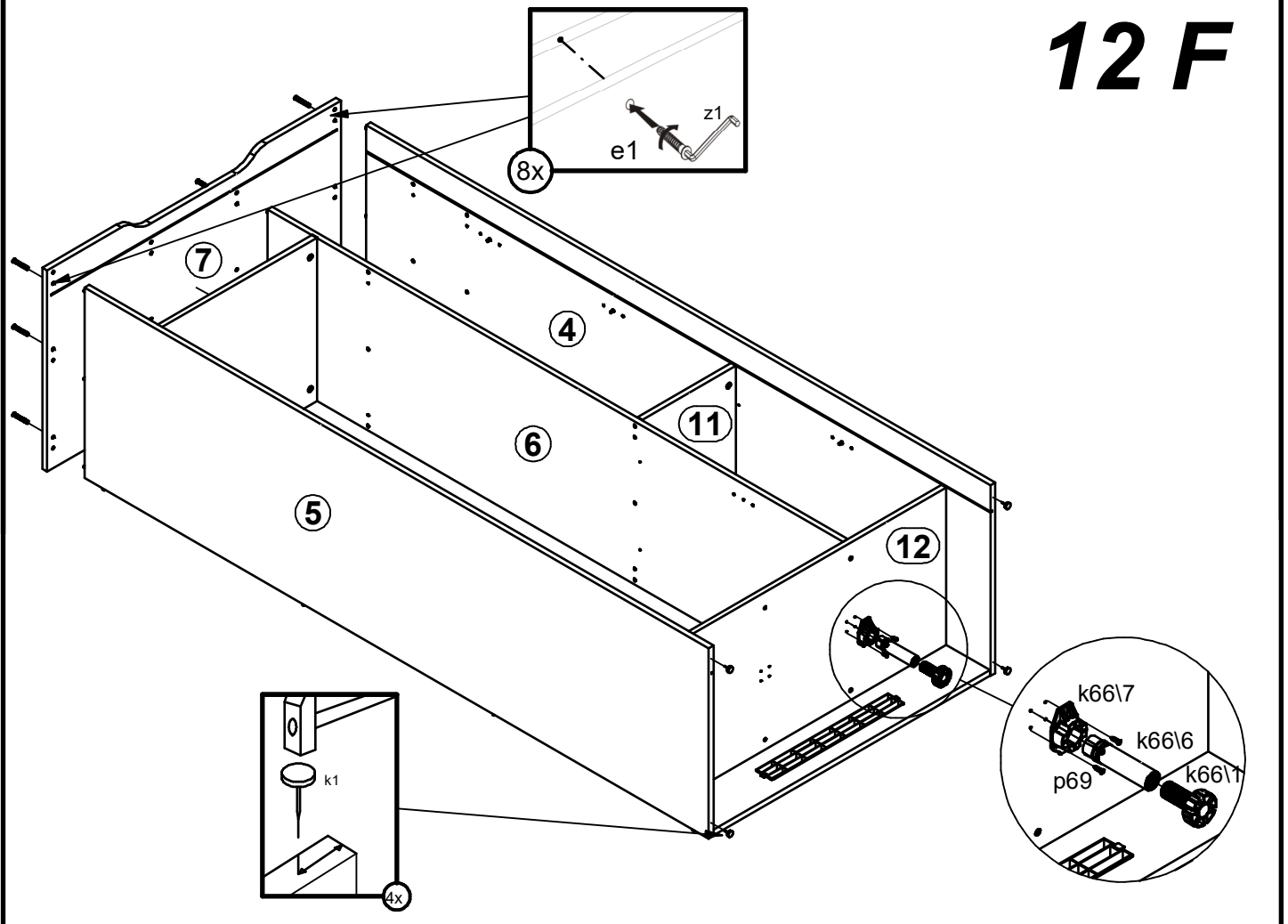
# 12 C,D



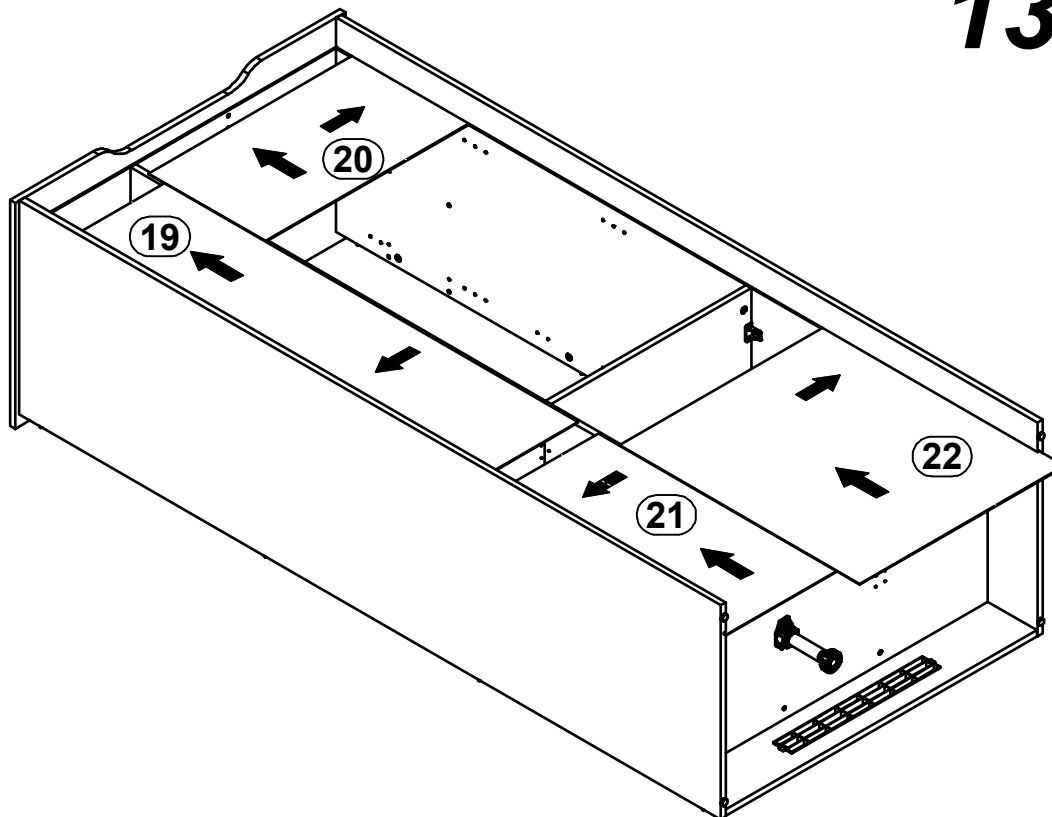
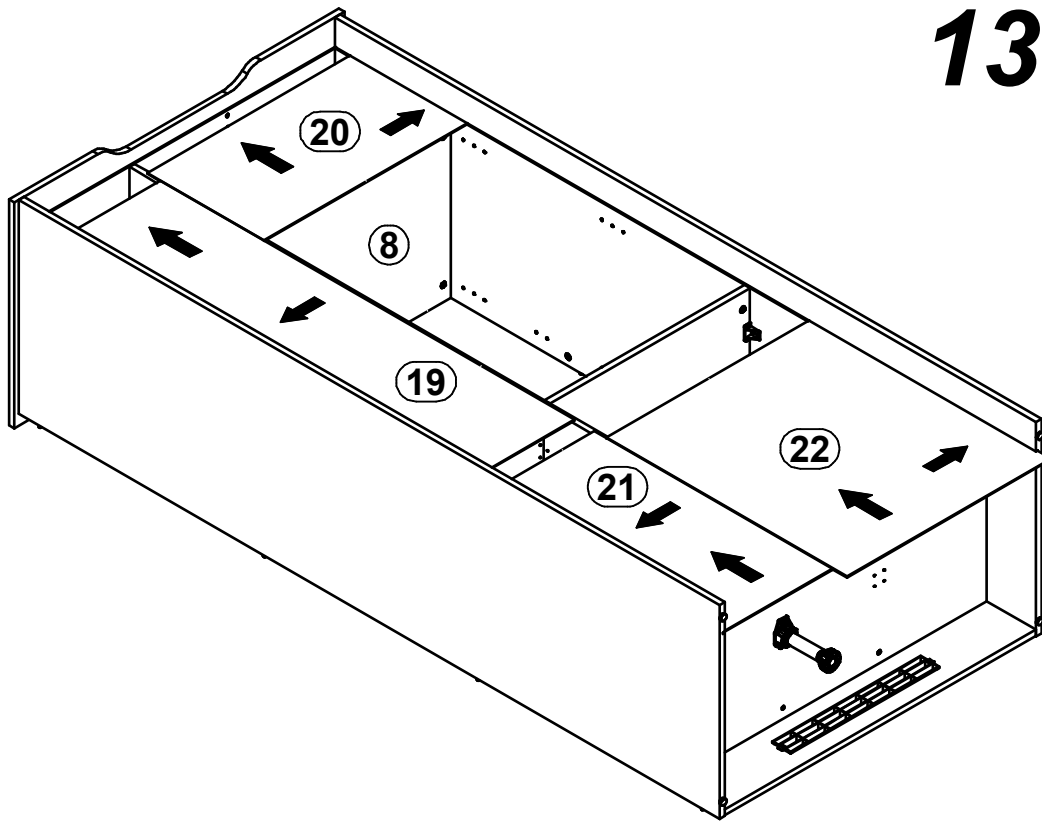
# 12 E



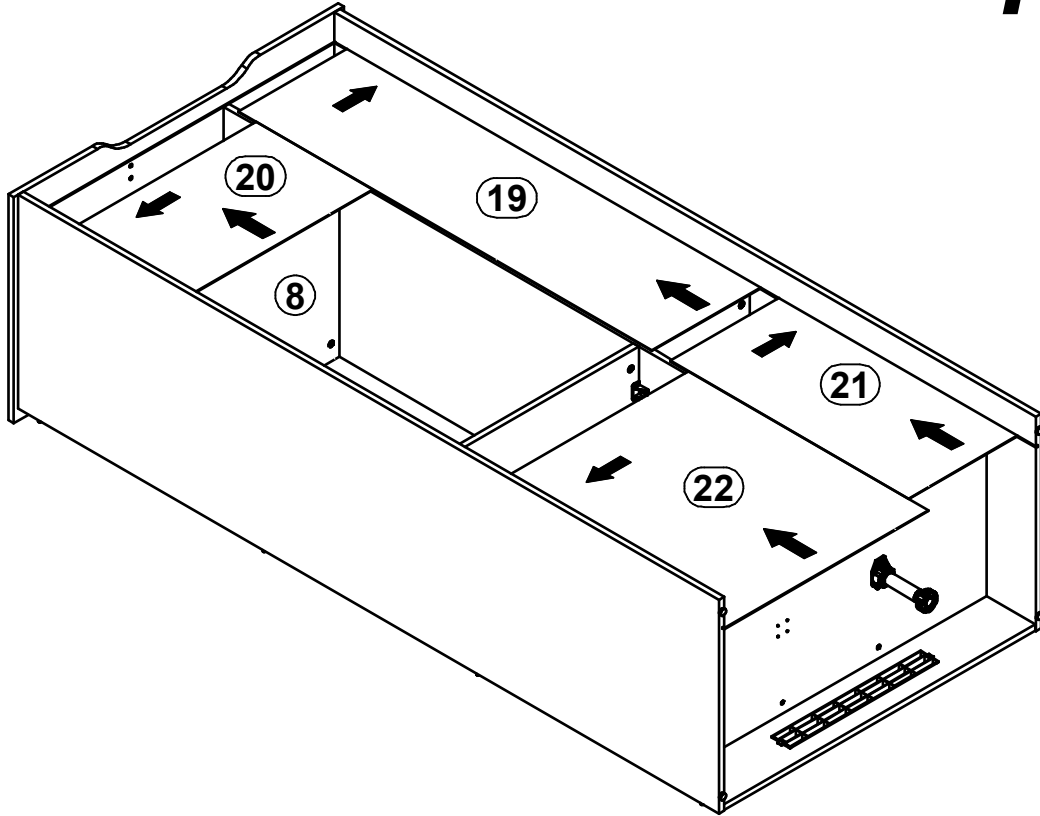
# 12 F



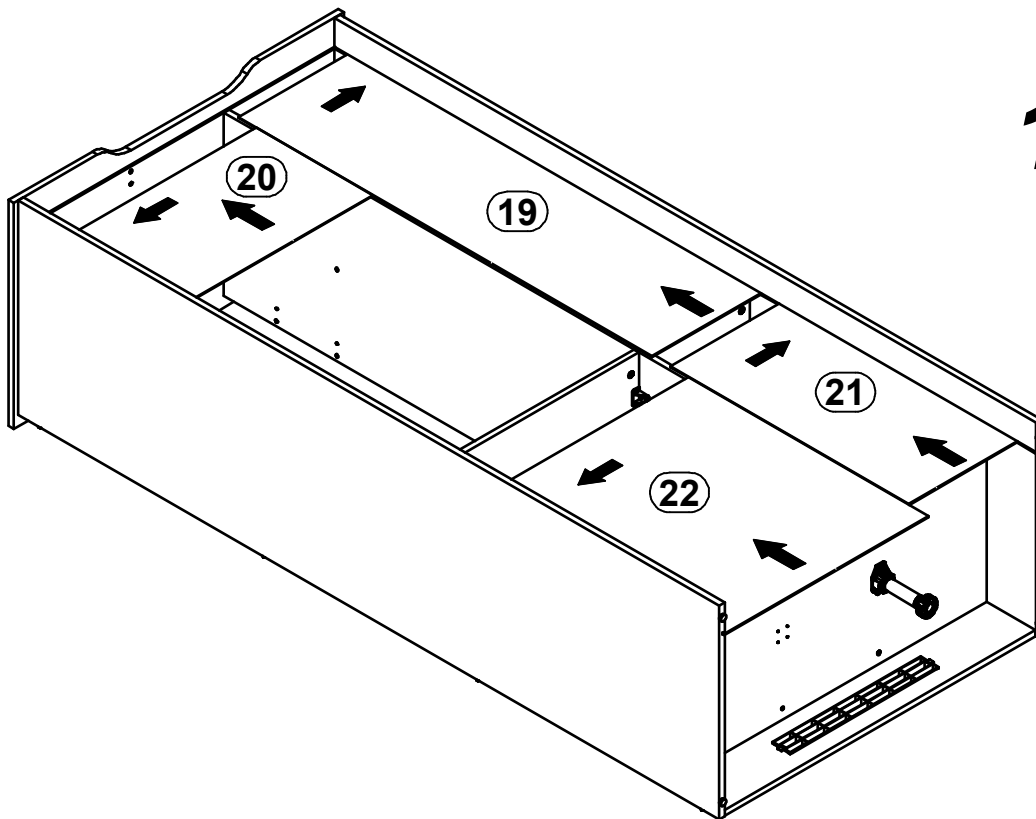




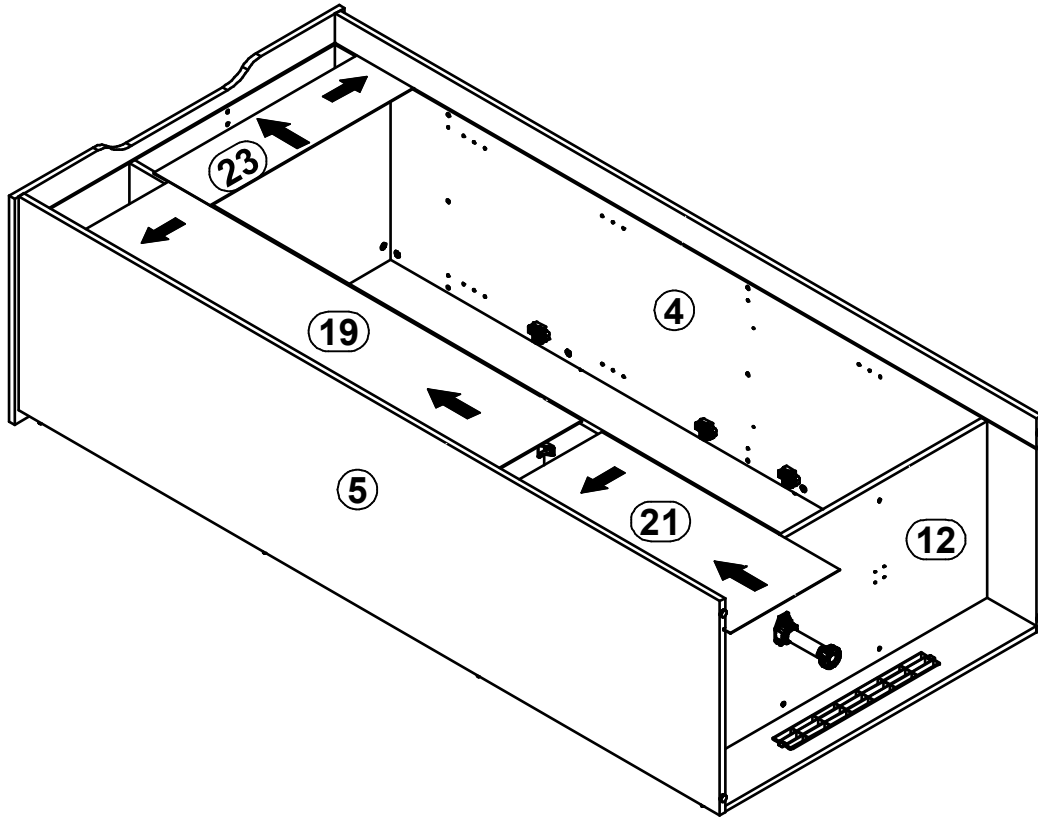
# 13 C



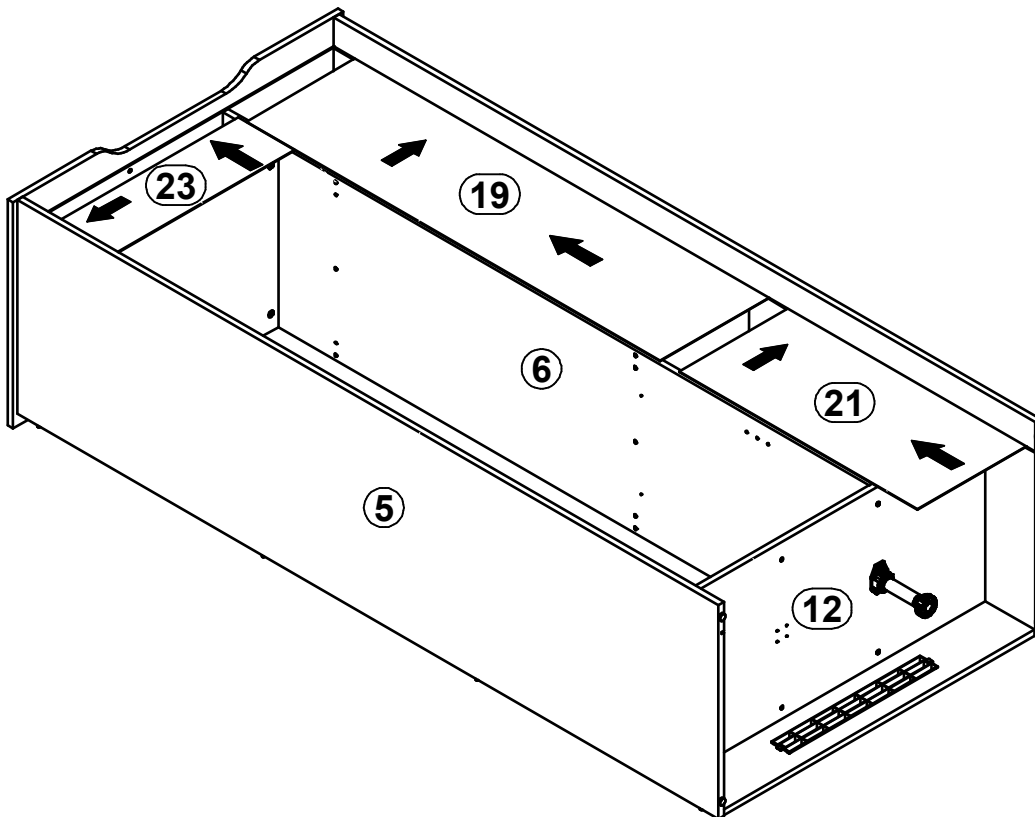
# 13 D



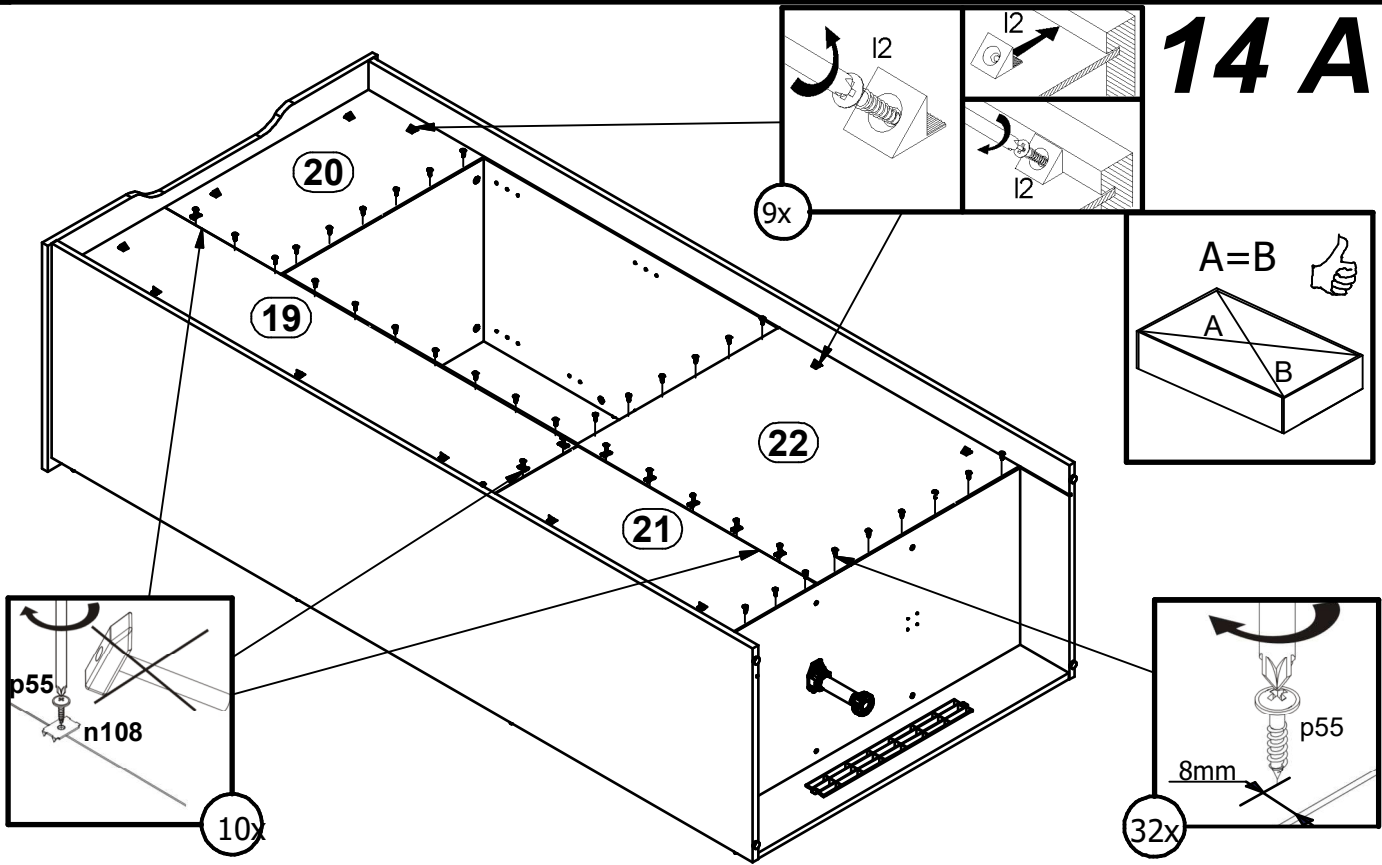
# 13 E



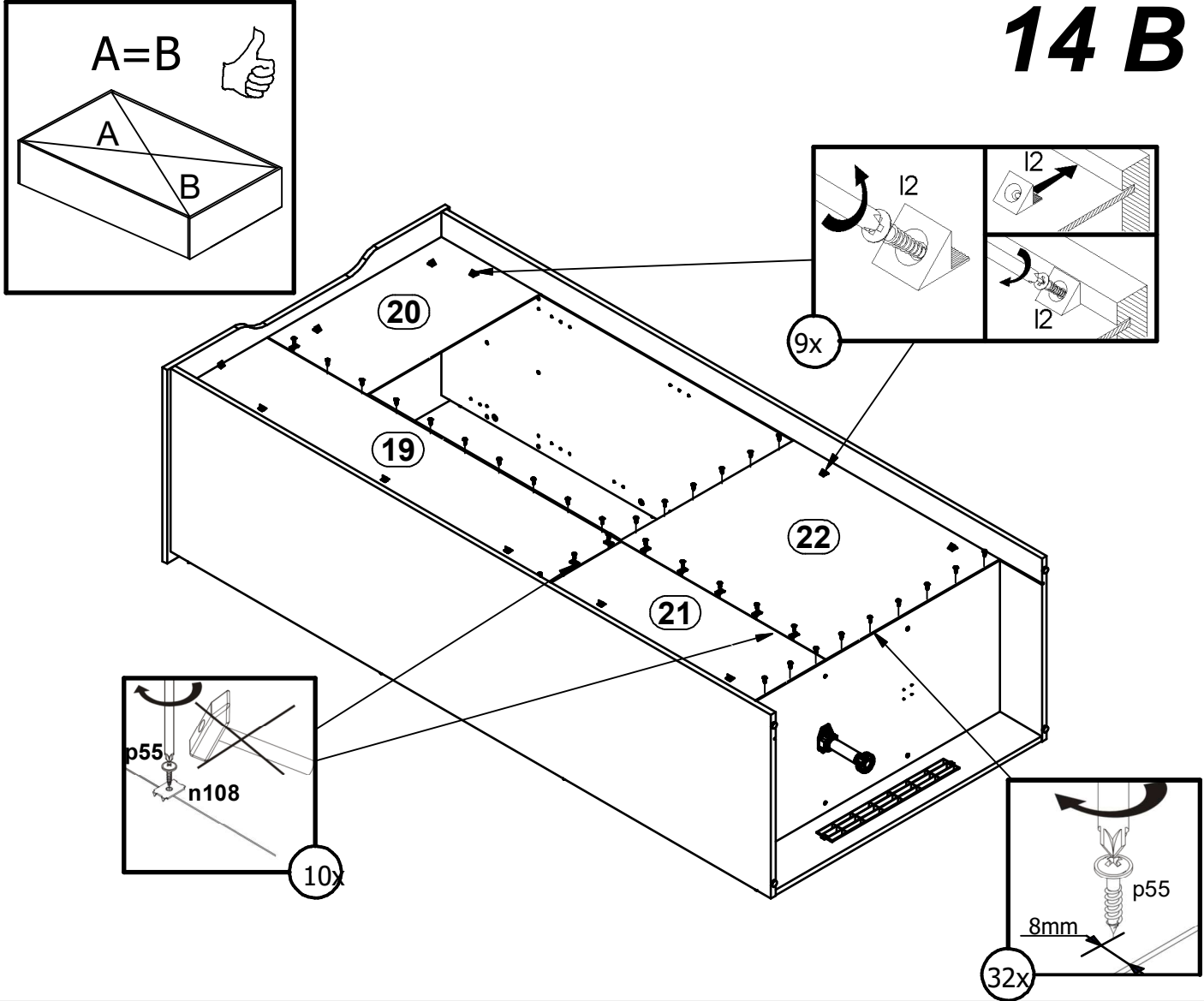
# 13 F



# 14 A



# 14 B



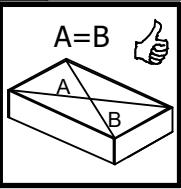
A

S538-REG3D

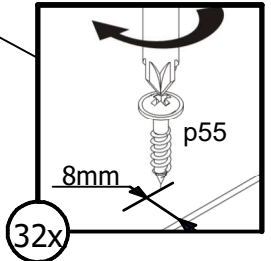
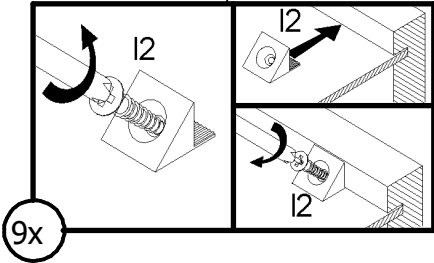
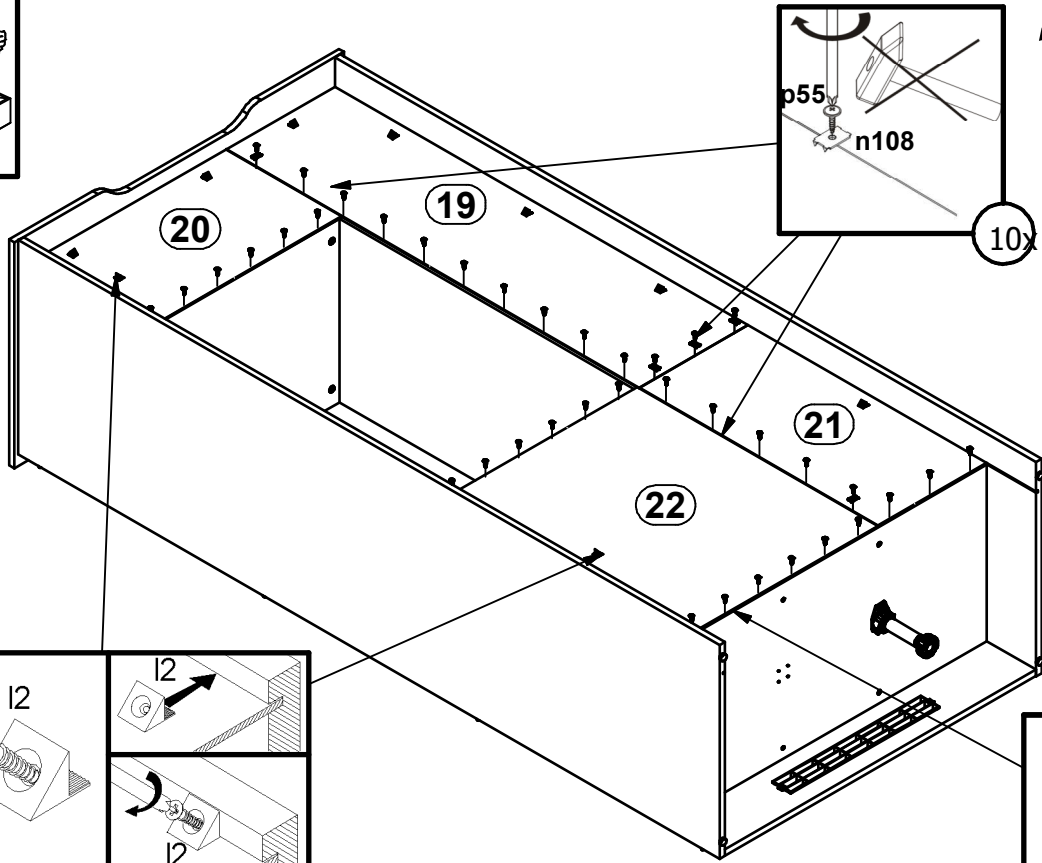
73-880---

84-882---

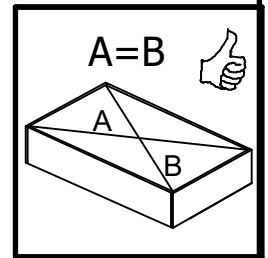
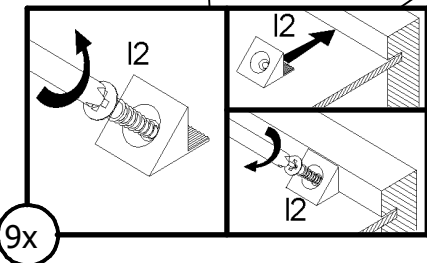
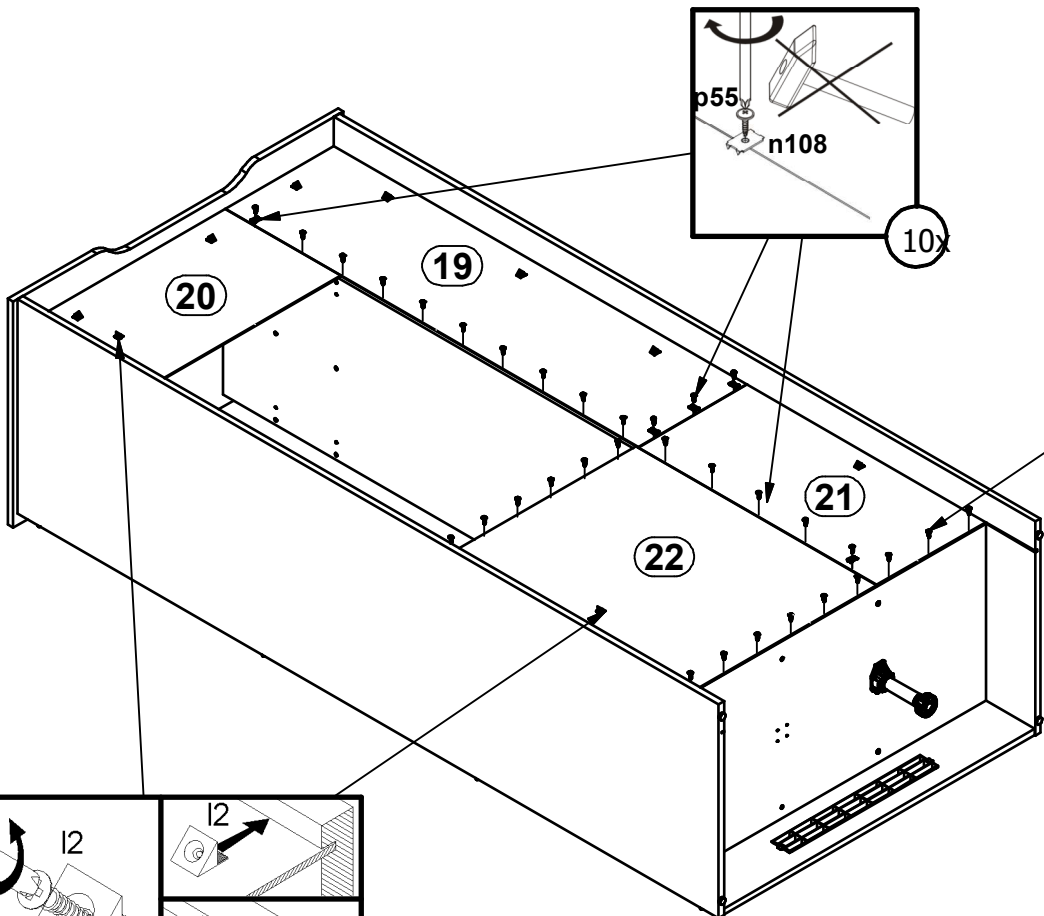
30 / 38



# 14 C



# 14 D

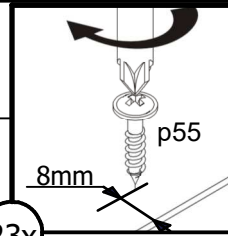
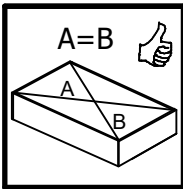


A

S538-REG3D

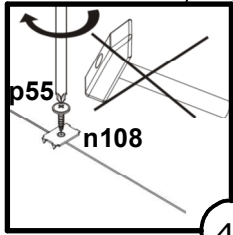
73-880--- 84-882---

31 /38

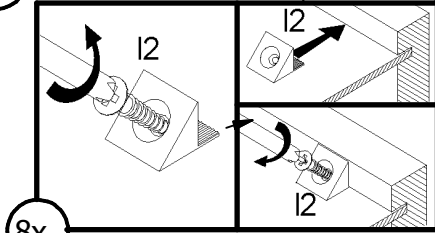


14 E

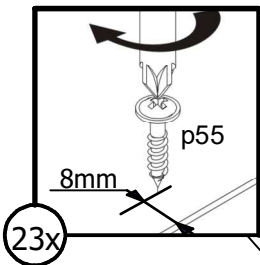
23x



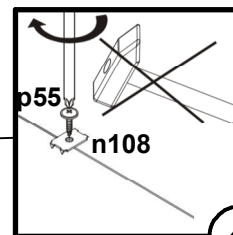
4x



8x



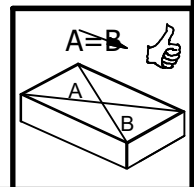
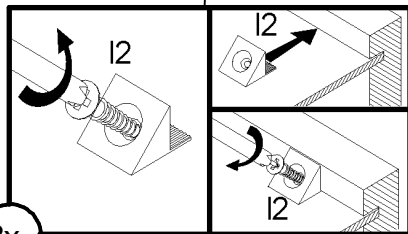
23x



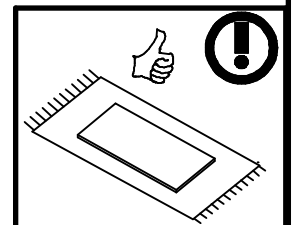
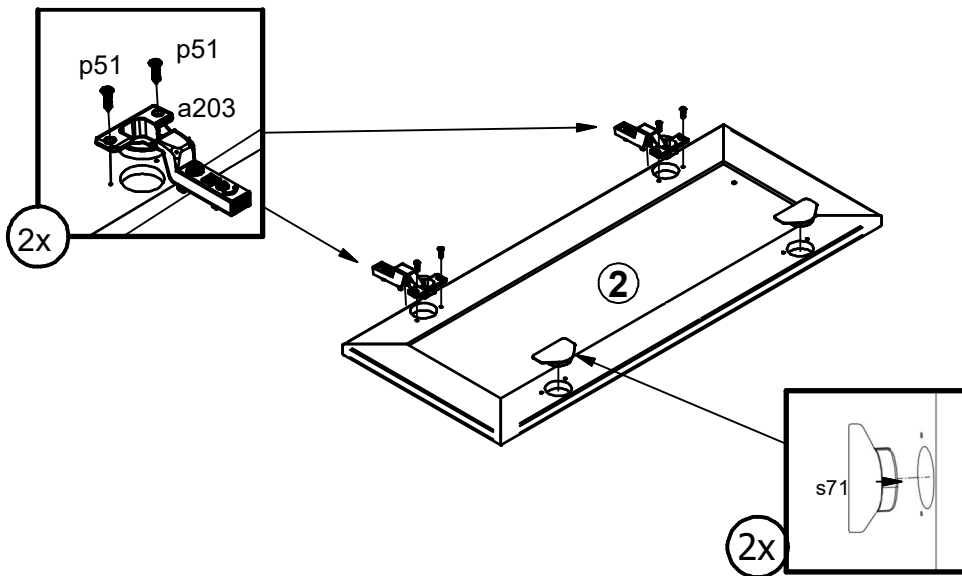
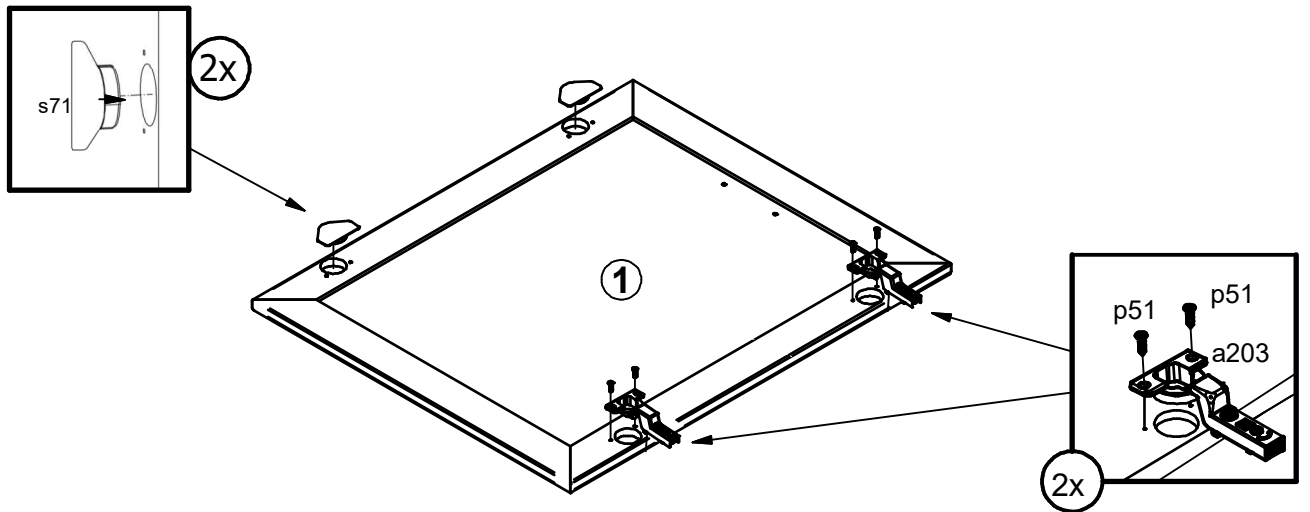
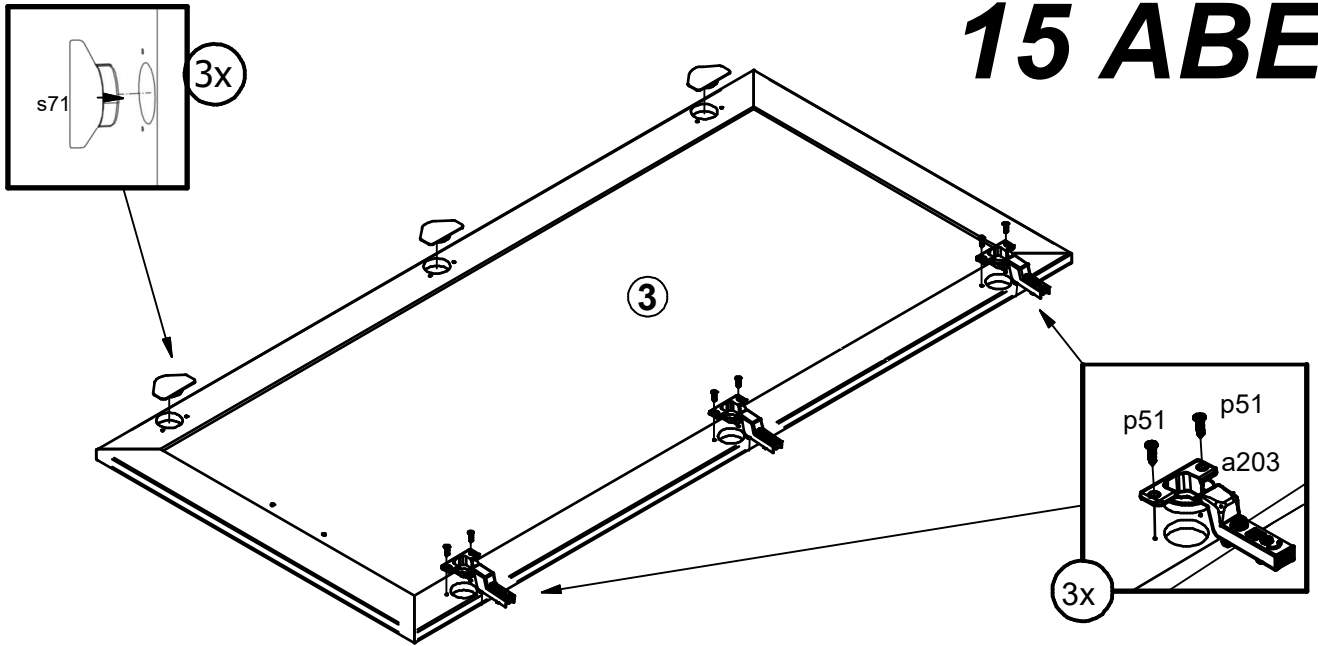
4x

14 F

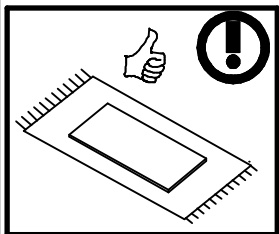
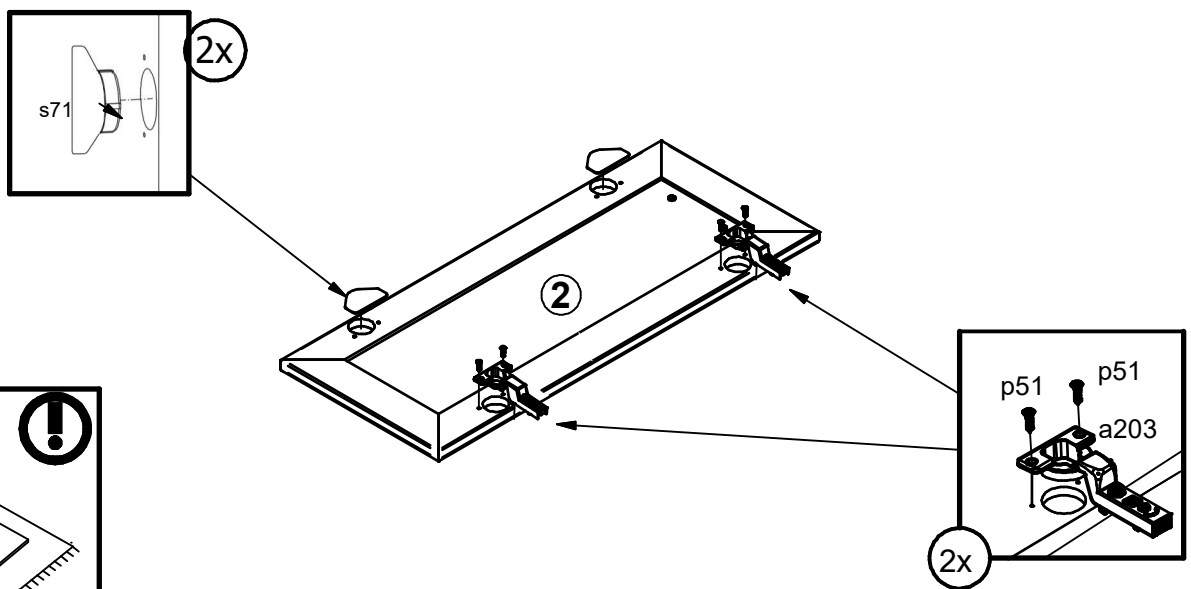
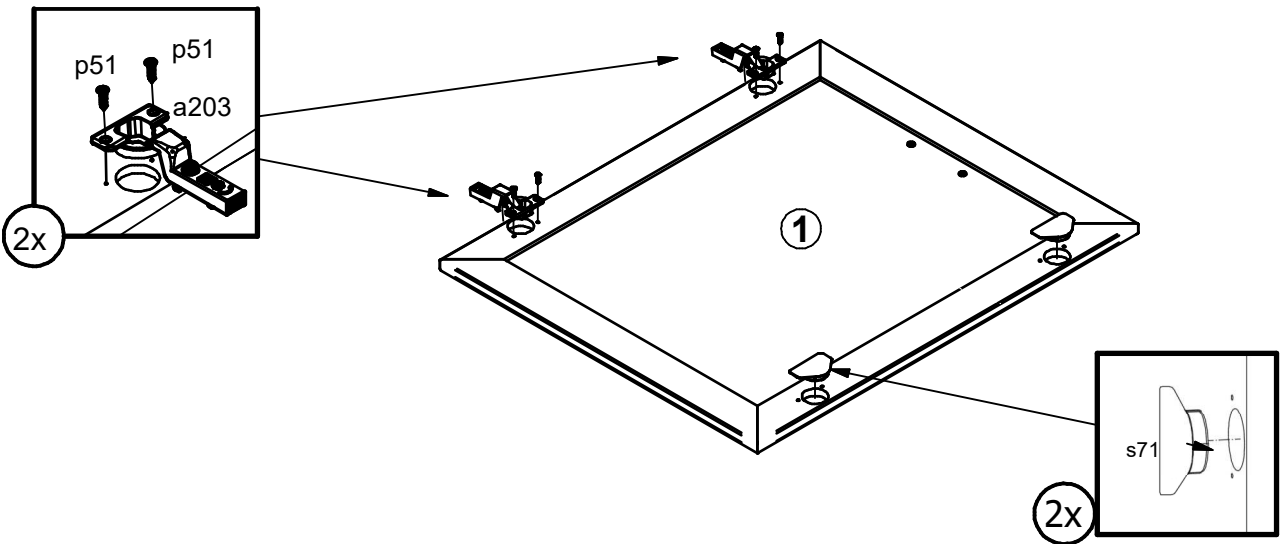
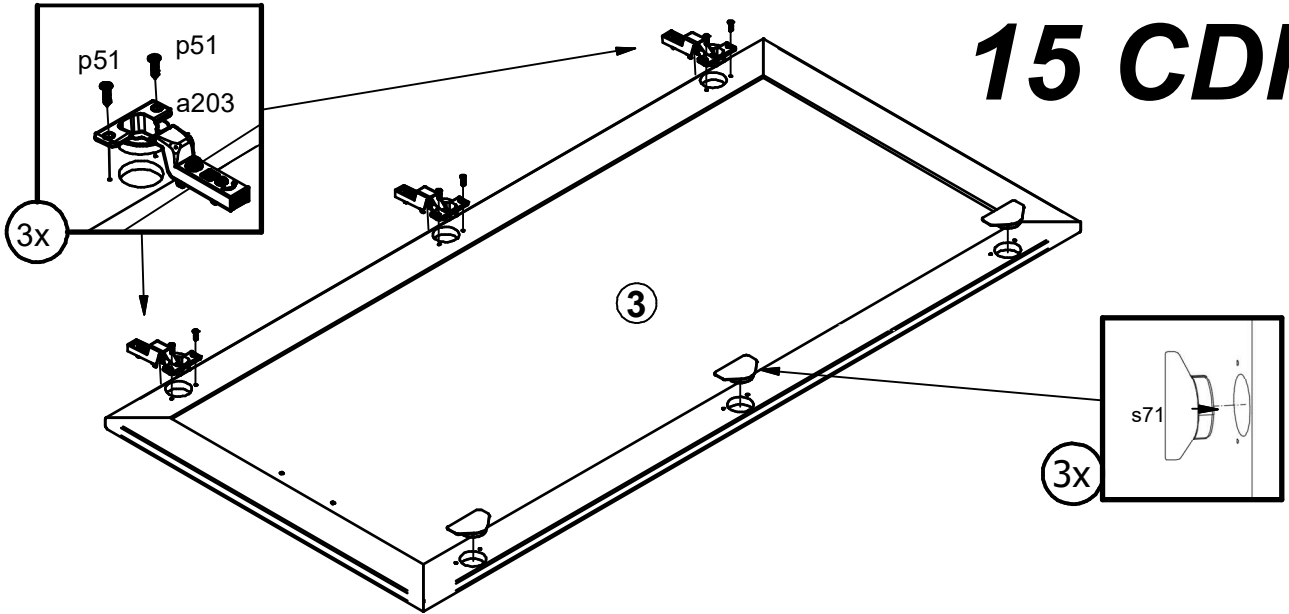
8x



# 15 ABE

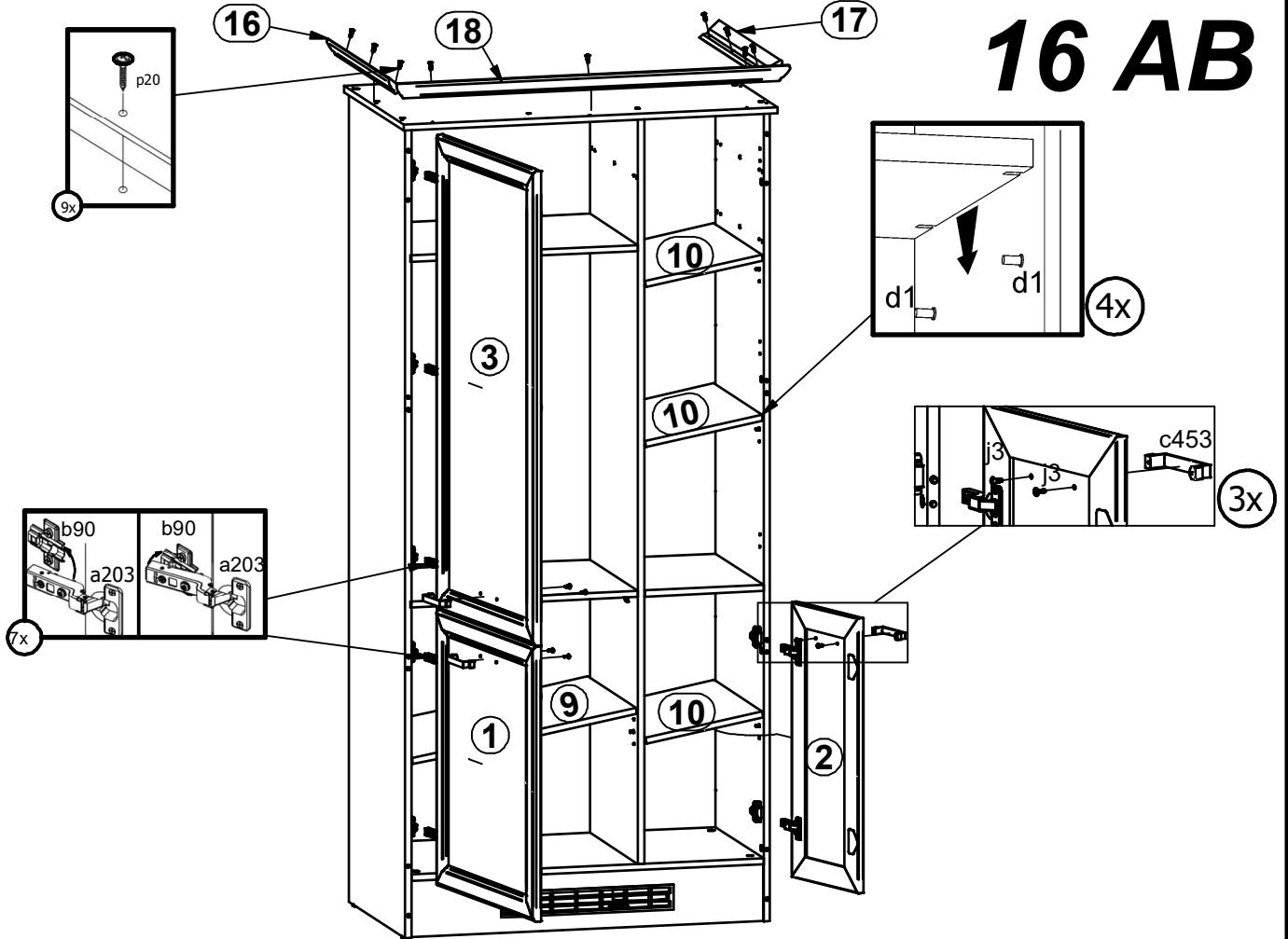


# 15 CDF

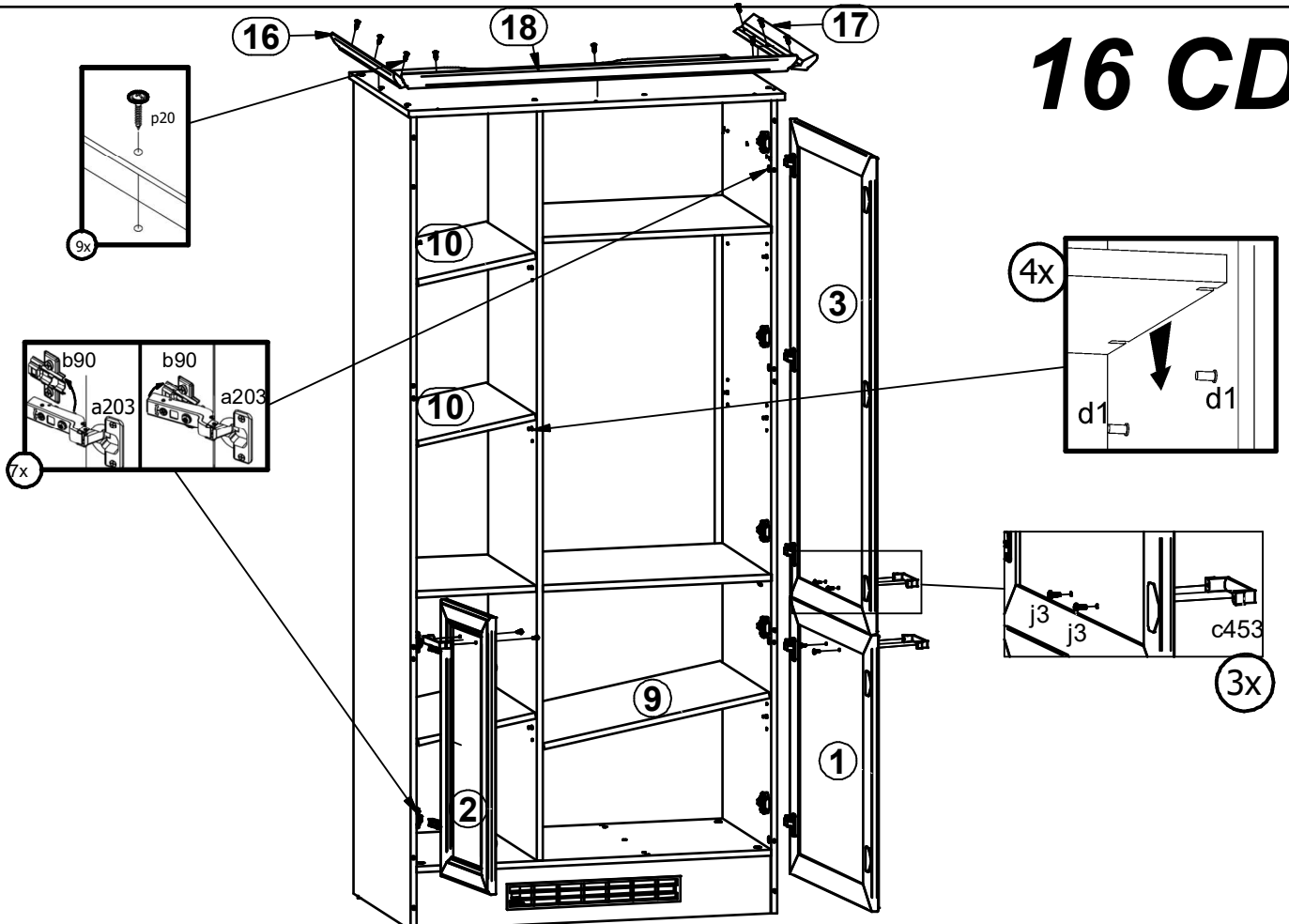




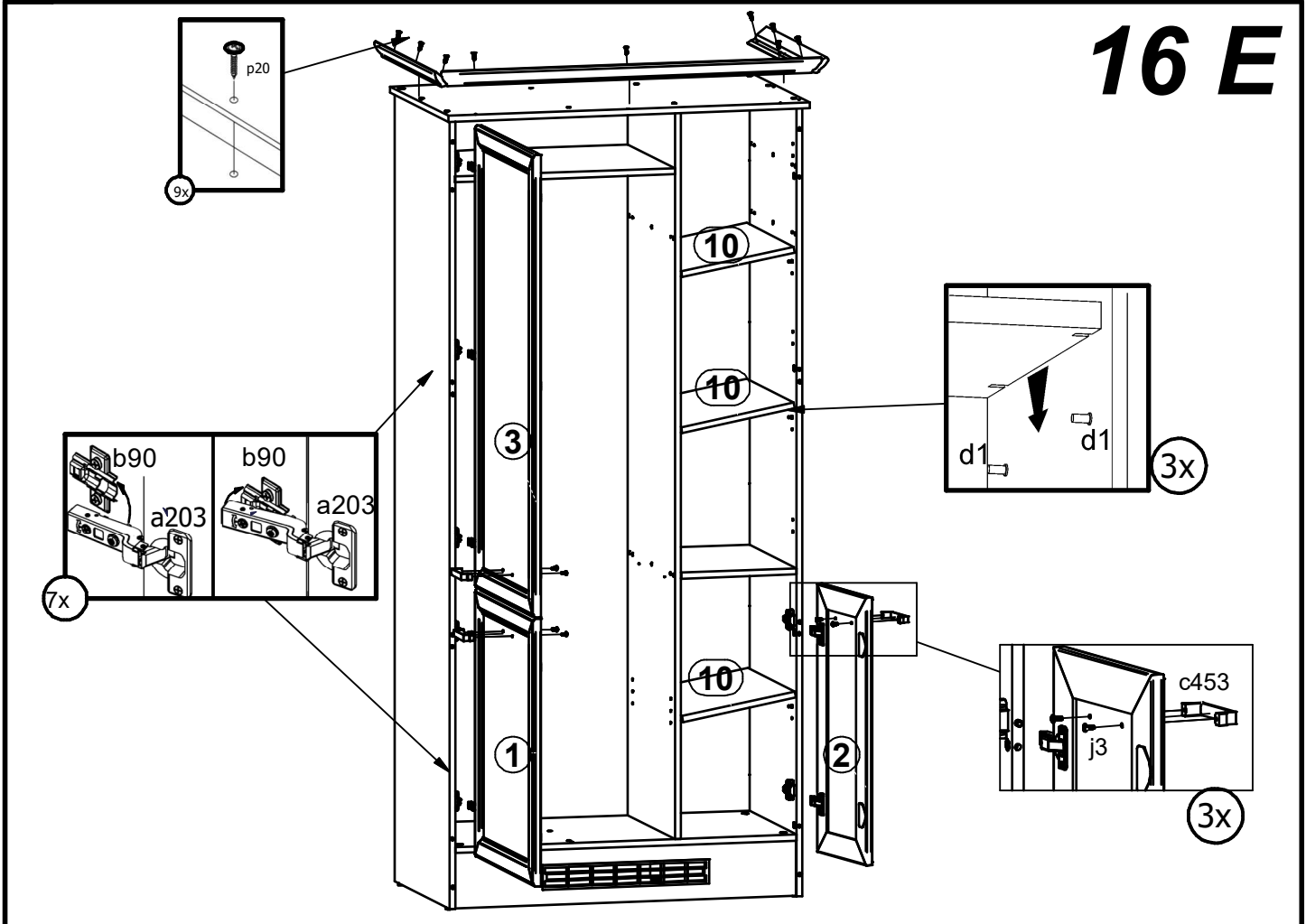
# 16 AB



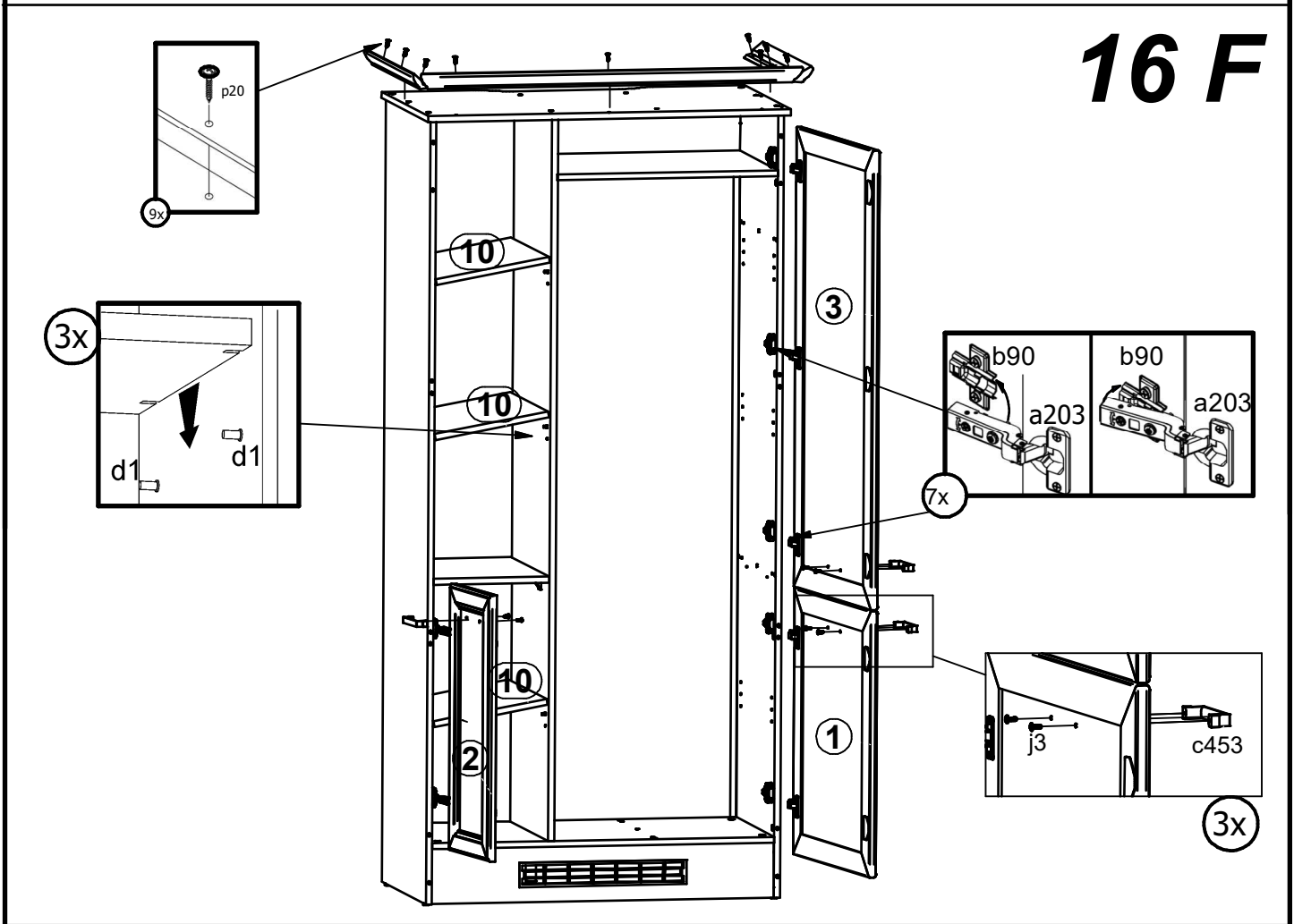
# 16 CD



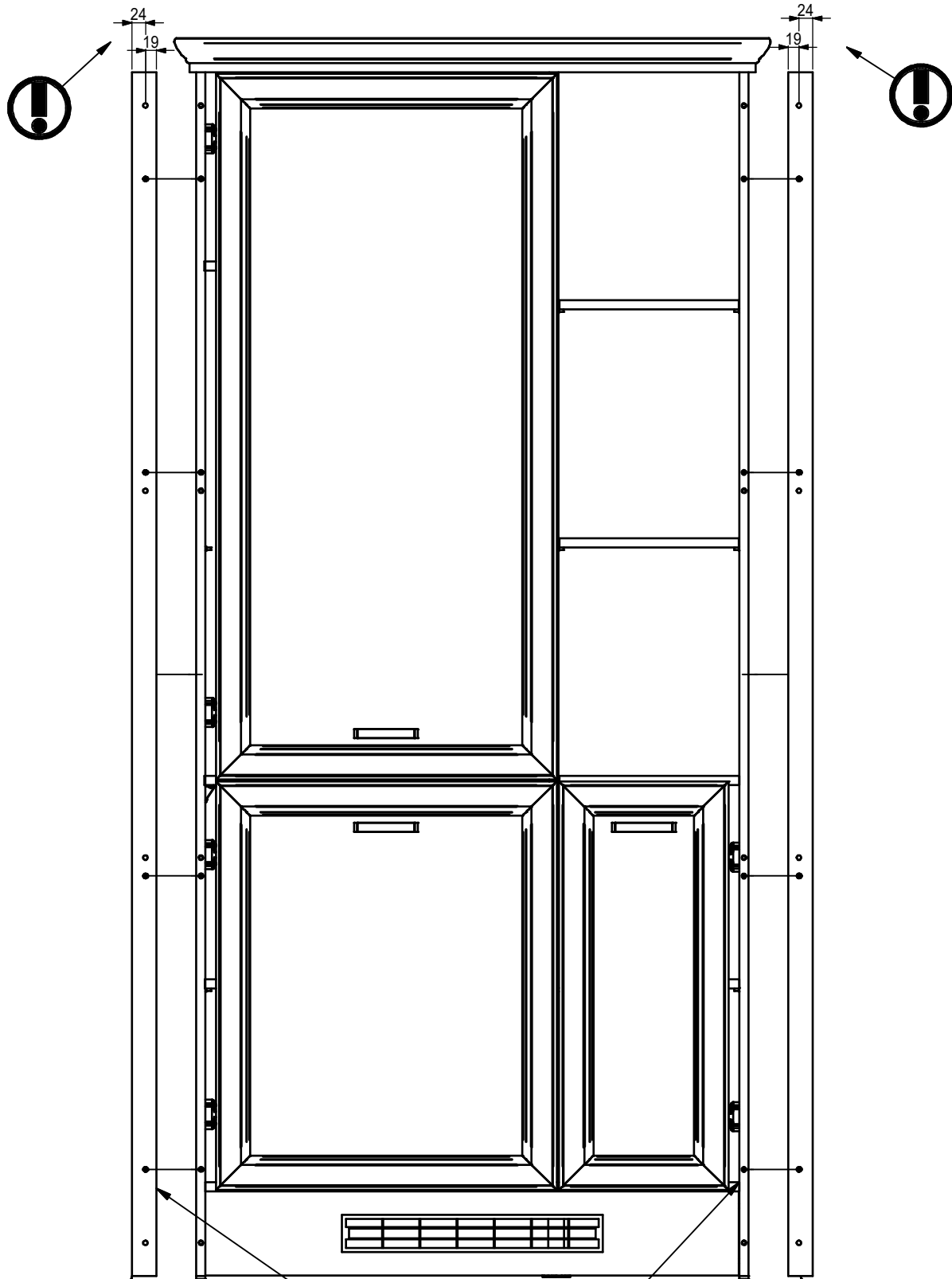
# 16 E



# 16 F

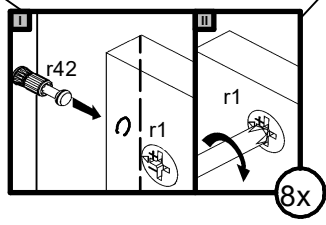


# 17ABE

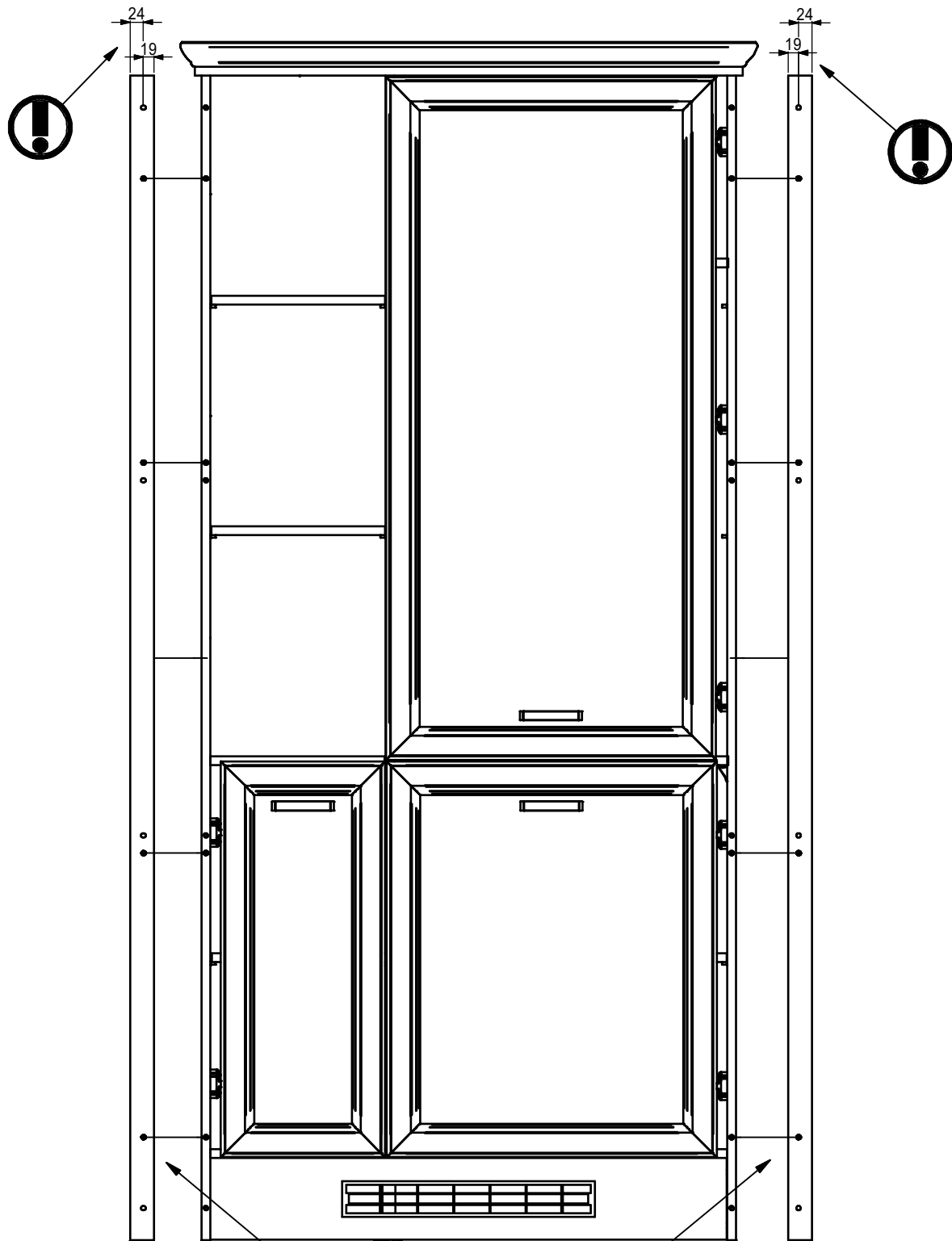


15

15

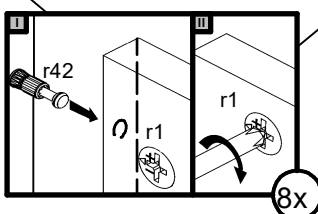


# 17CDF



15

15



8x

