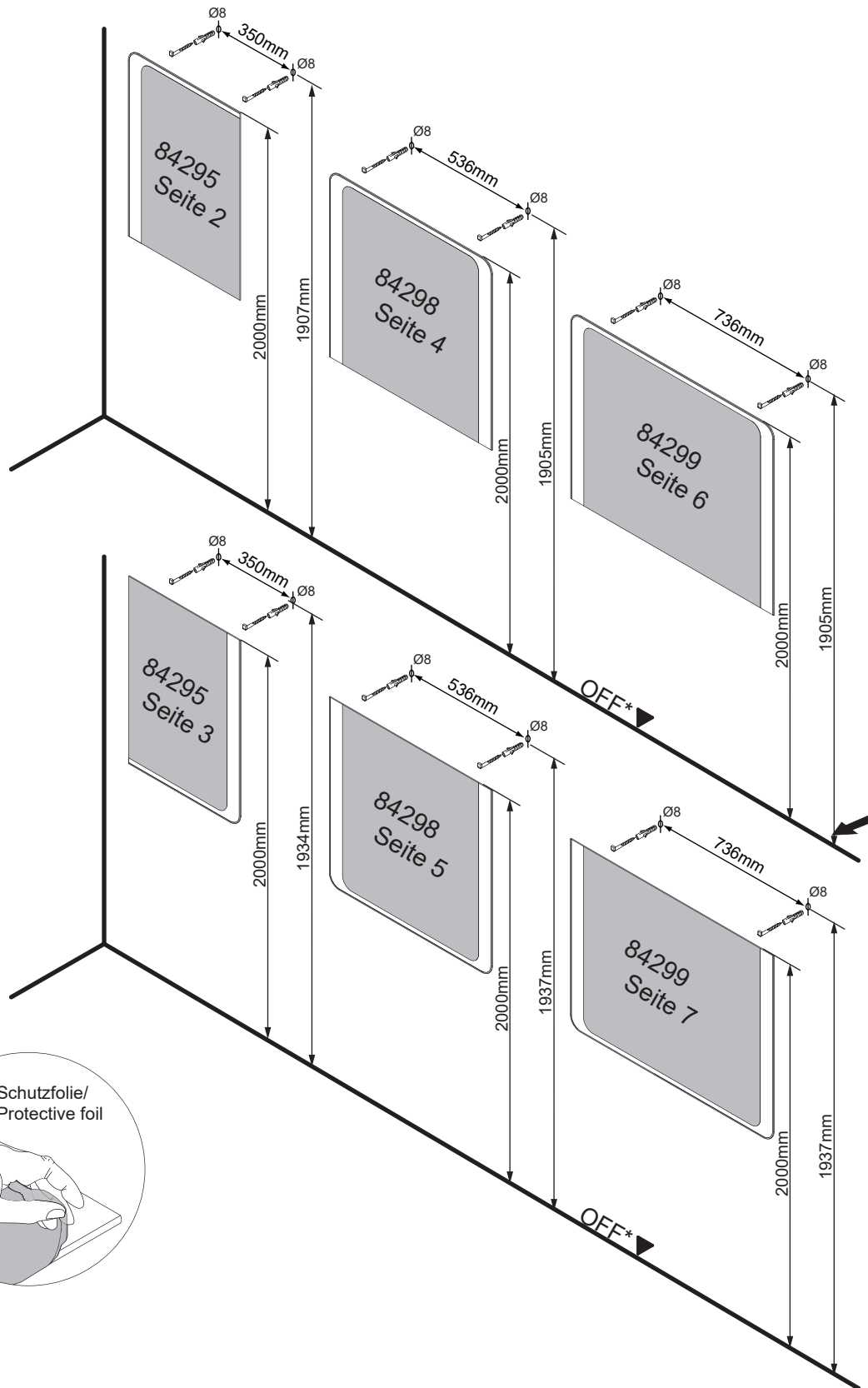


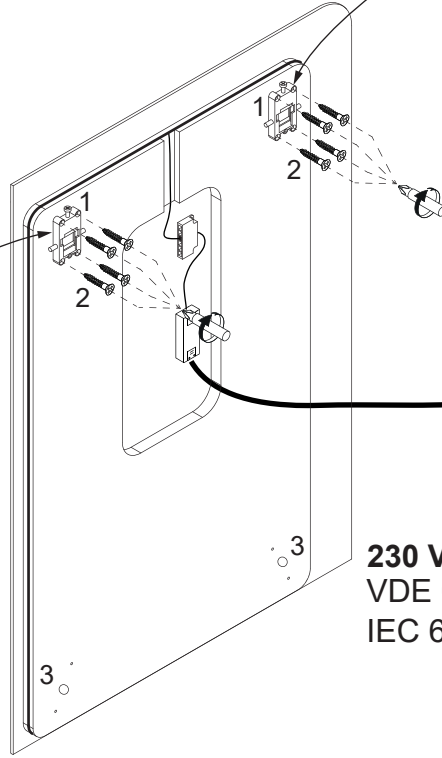
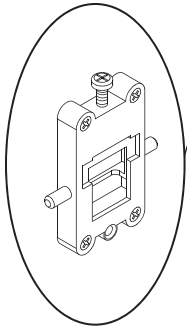
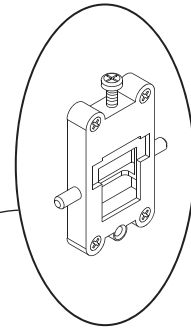
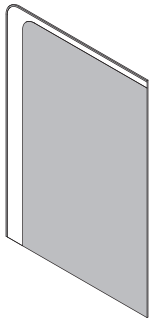
Dieses Produkt enthält eine Lichtquellen der Energieeffizienzklasse F.
 This product contains a light source of energy efficiency class F.



*OFF = Oberkante fertiger Fußboden
 *OFF = Top edge of finished floor

i Austausch LED-Band Seite 8
 Change of LED-stripe Page 8

FACKELMANN® GmbH + Co. KG
 Sebastian-Fackelmann-Str. 6
 91217 Hersbruck • Deutschland
 FAX: 09151/811-294
 Servicetelefon: 09151/811-206
 servicebm@fackelmann.de
 www.fackelmann.com

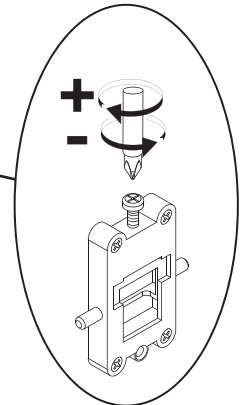
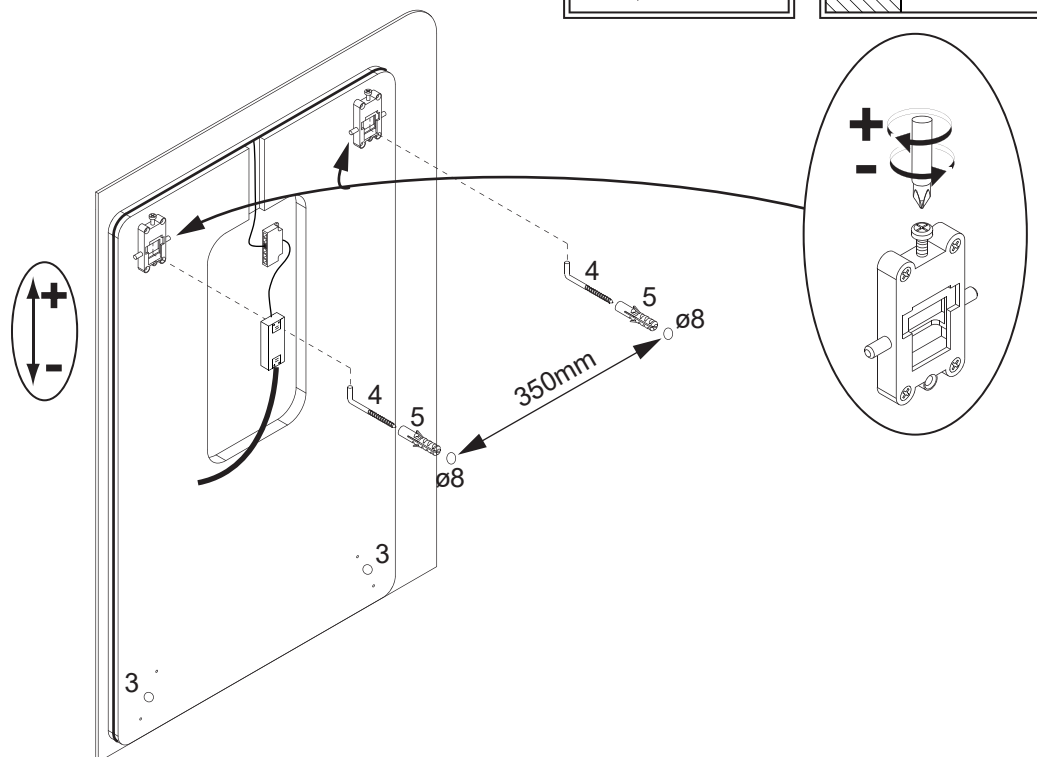
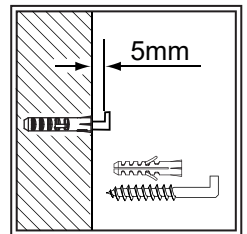
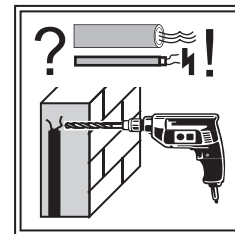


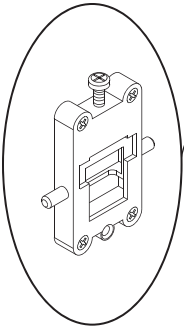
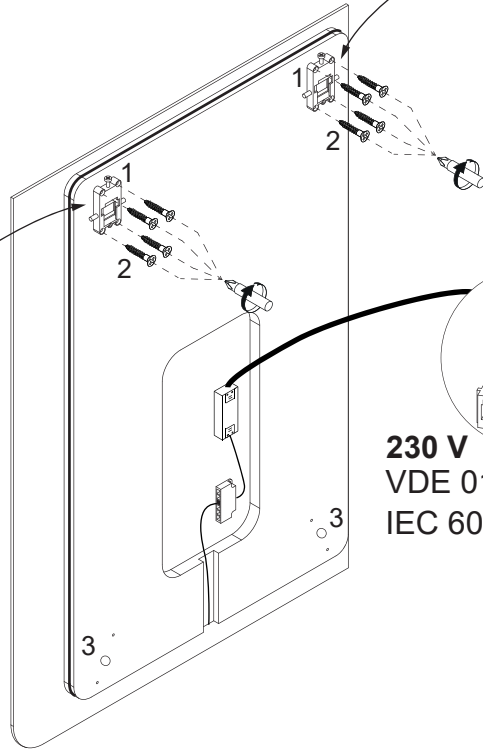
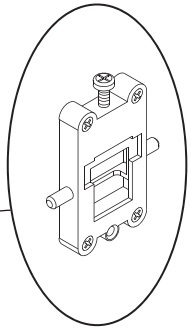
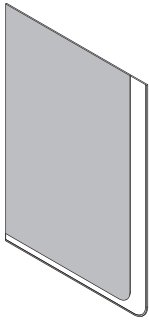
230 V
VDE 0100-701
IEC 60364-7-701 !

| |
|------------|
| 3 |
| |
| 2BB019X9.5 |
| 2 x |

| | |
|------------|------------|
| 1 | 2 |
| | |
| 4BB0139000 | 4SK3.5X250 |
| 2 x | 8 x |

| | |
|------------|------------|
| 4 | 5 |
| | |
| 4HS5.8X650 | 4BD8000000 |
| 2 x | 2 x |



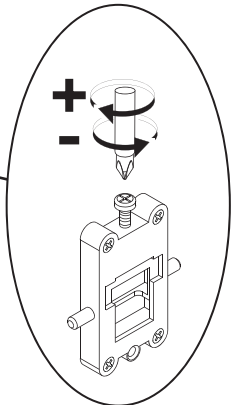
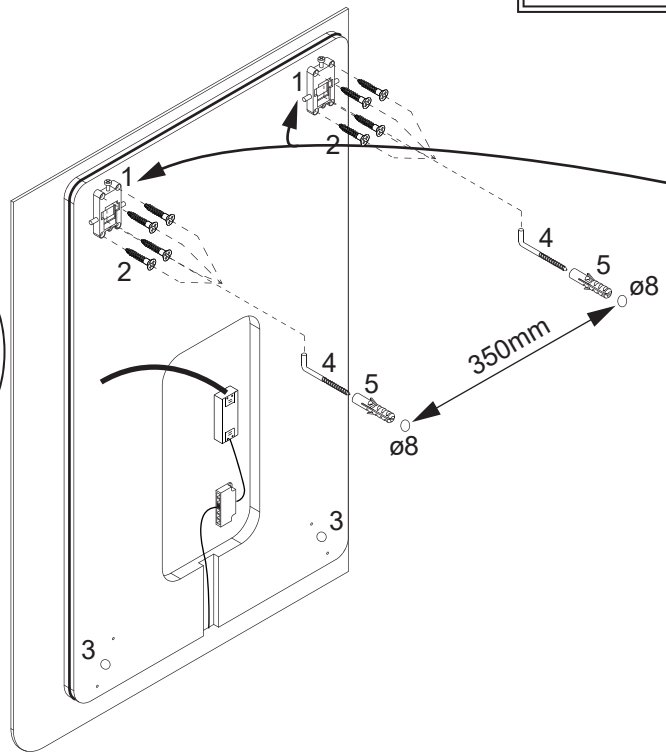
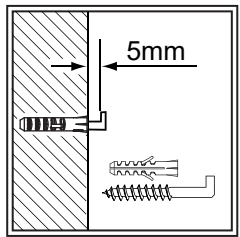


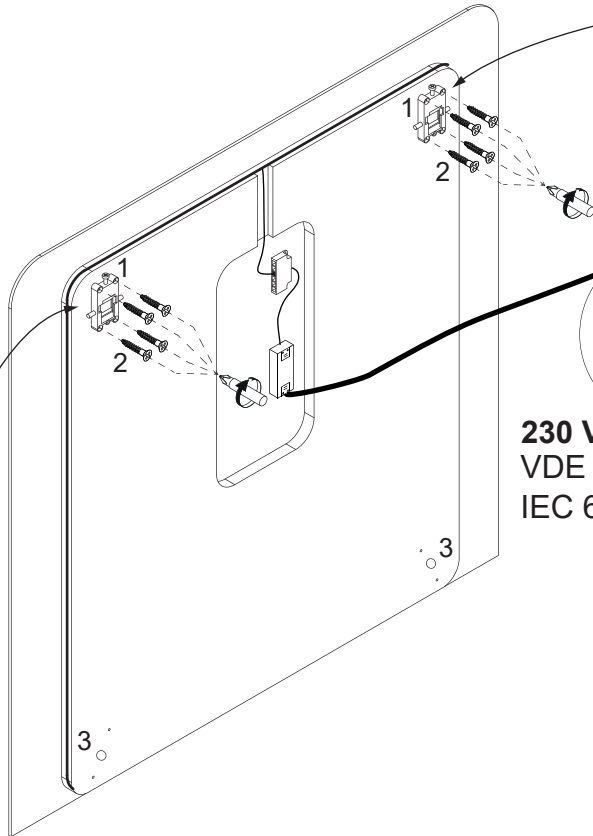
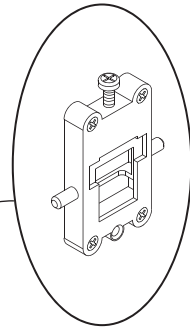
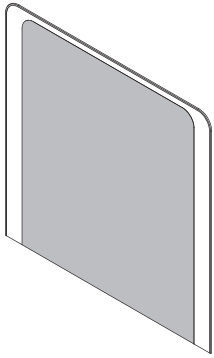
230 V
VDE 0100-701
IEC 60364-7-701 !

| |
|------------|
| 3 |
| |
| 2BB019X9.5 |
| 2 x |

| | |
|------------|------------|
| 1 | 2 |
| | |
| 4BB0139000 | 4SK3.5X250 |
| 2 x | 8 x |

| | |
|------------|------------|
| 4 | 5 |
| | |
| 4HS5.8X650 | 4BD8000000 |
| 2 x | 2 x |



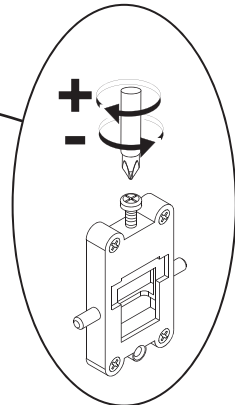
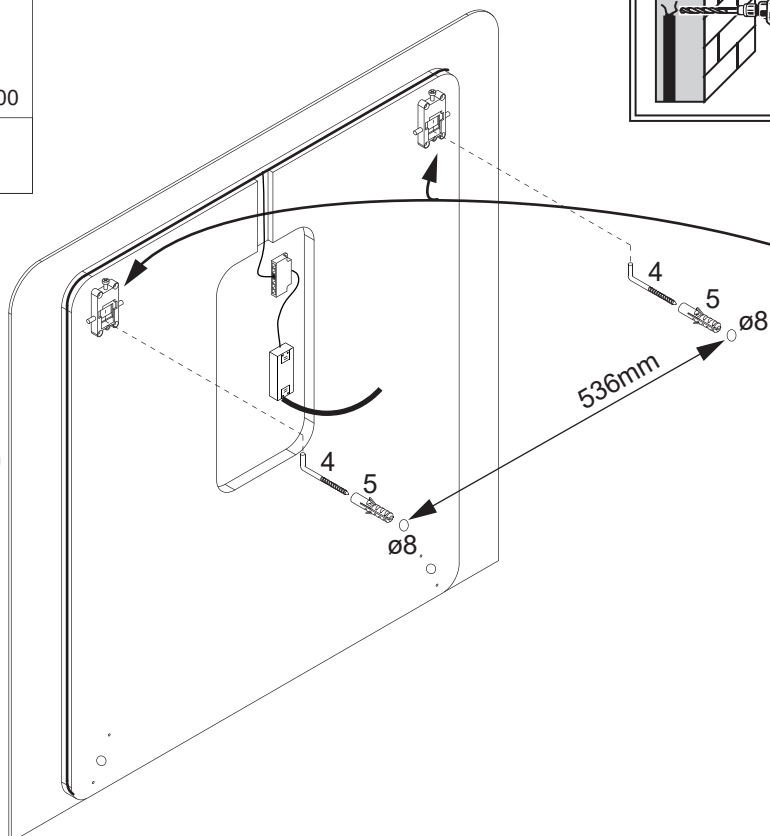
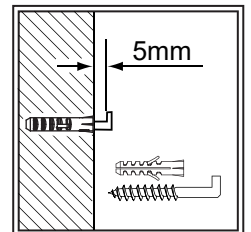
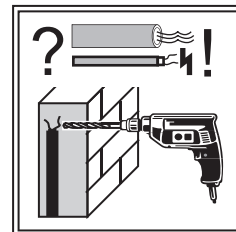


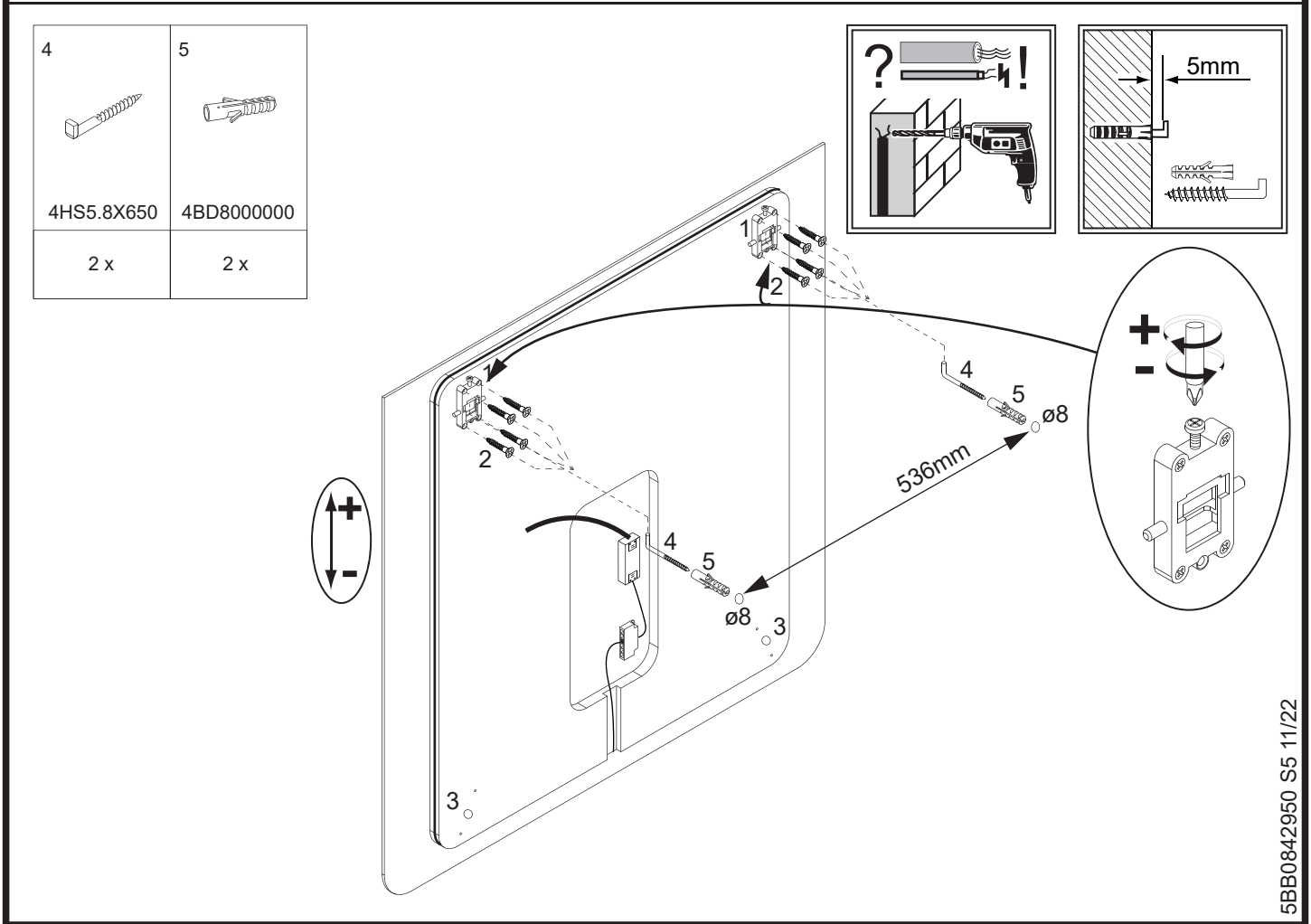
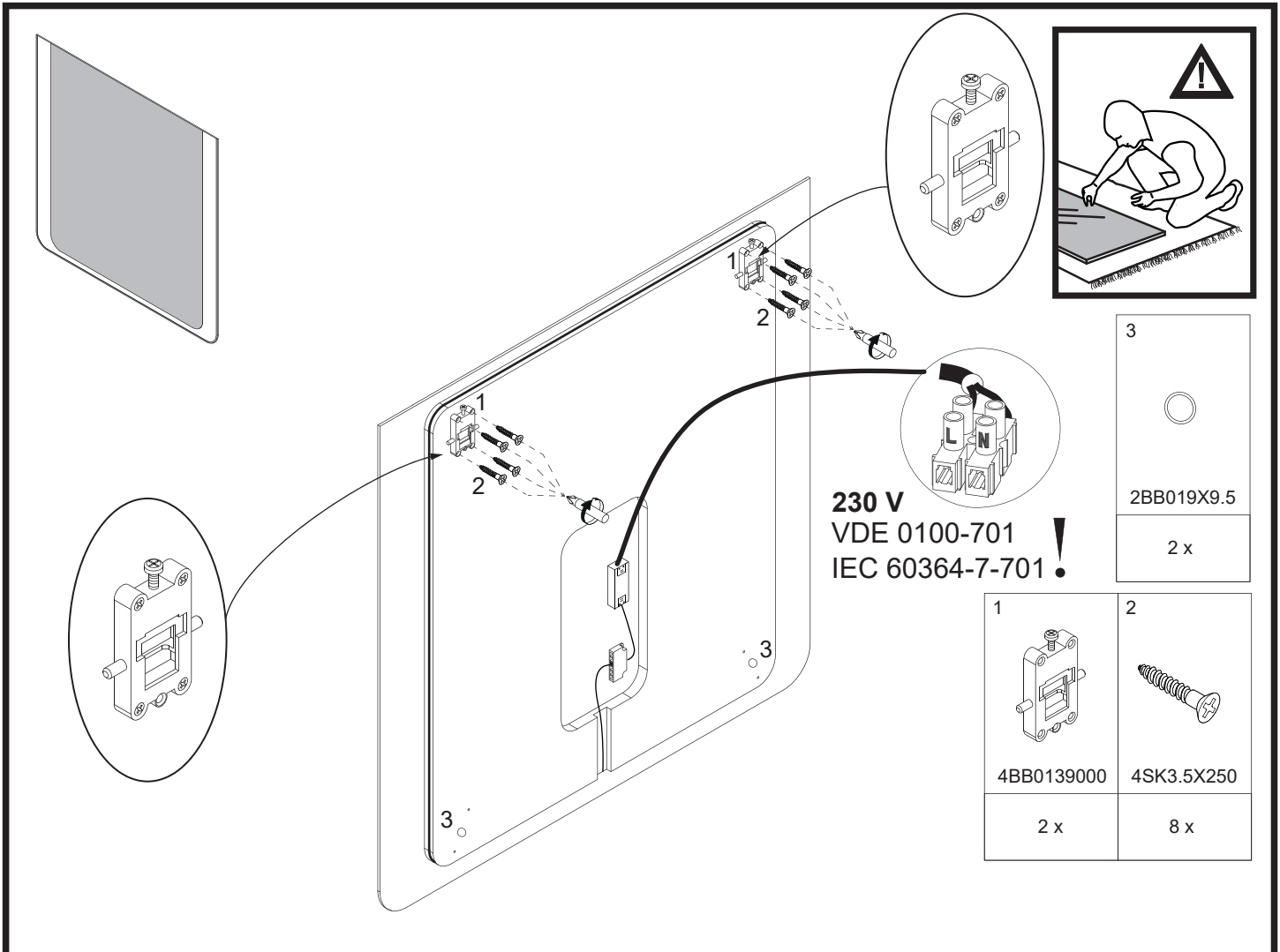
230 V
VDE 0100-701
IEC 60364-7-701 !

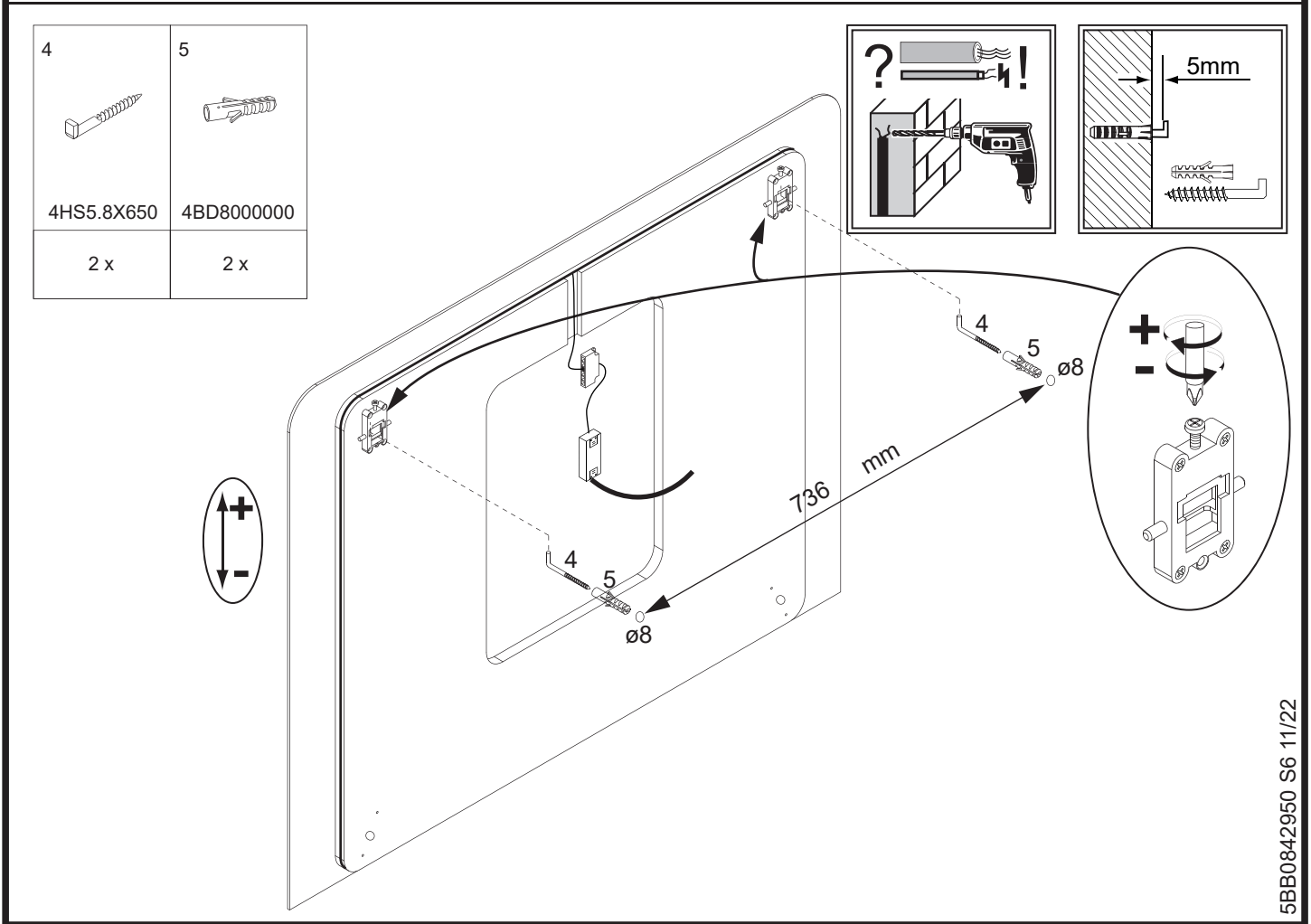
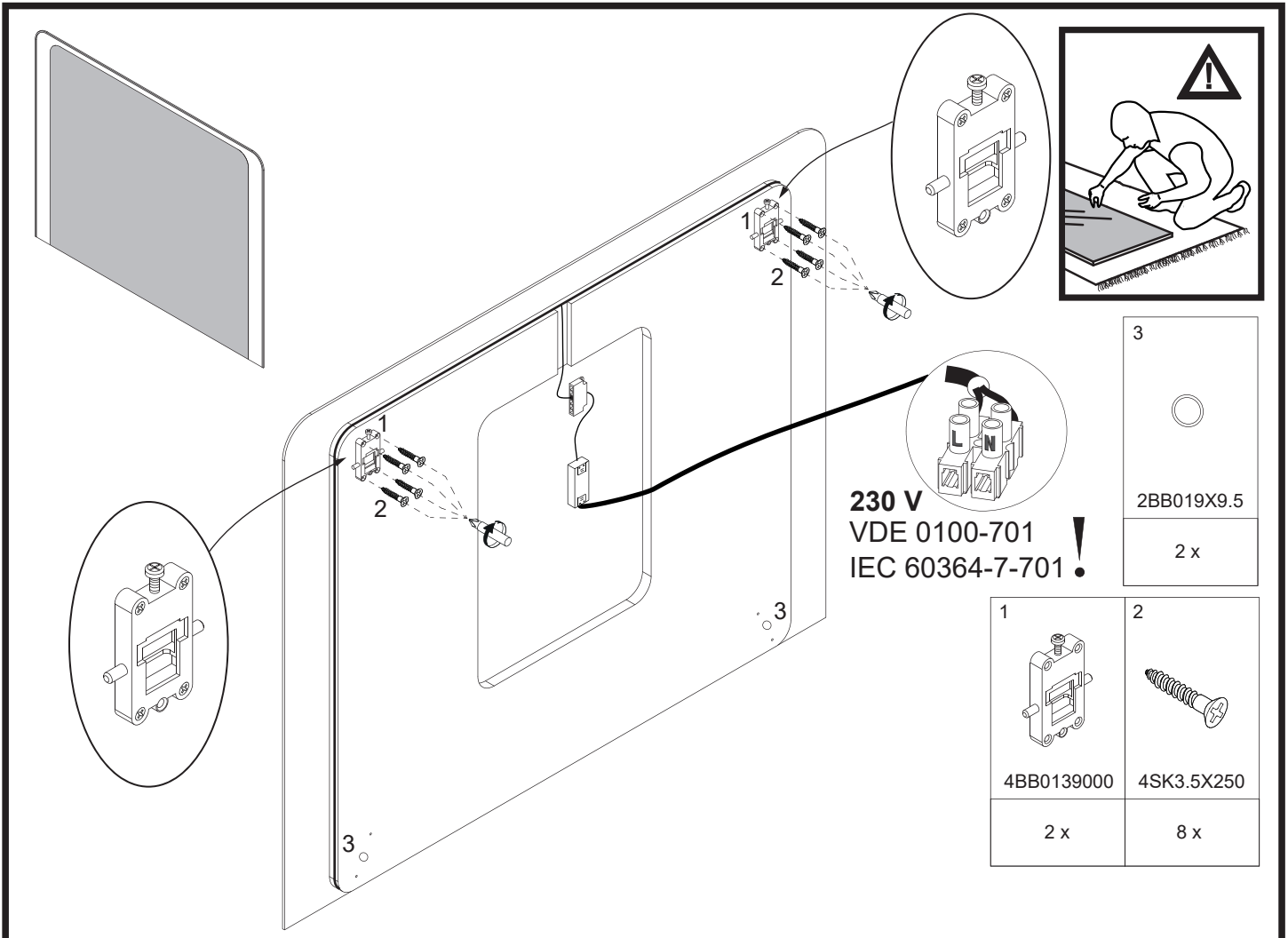
| |
|------------|
| 3 |
| |
| 2BB019X9.5 |
| 2 x |

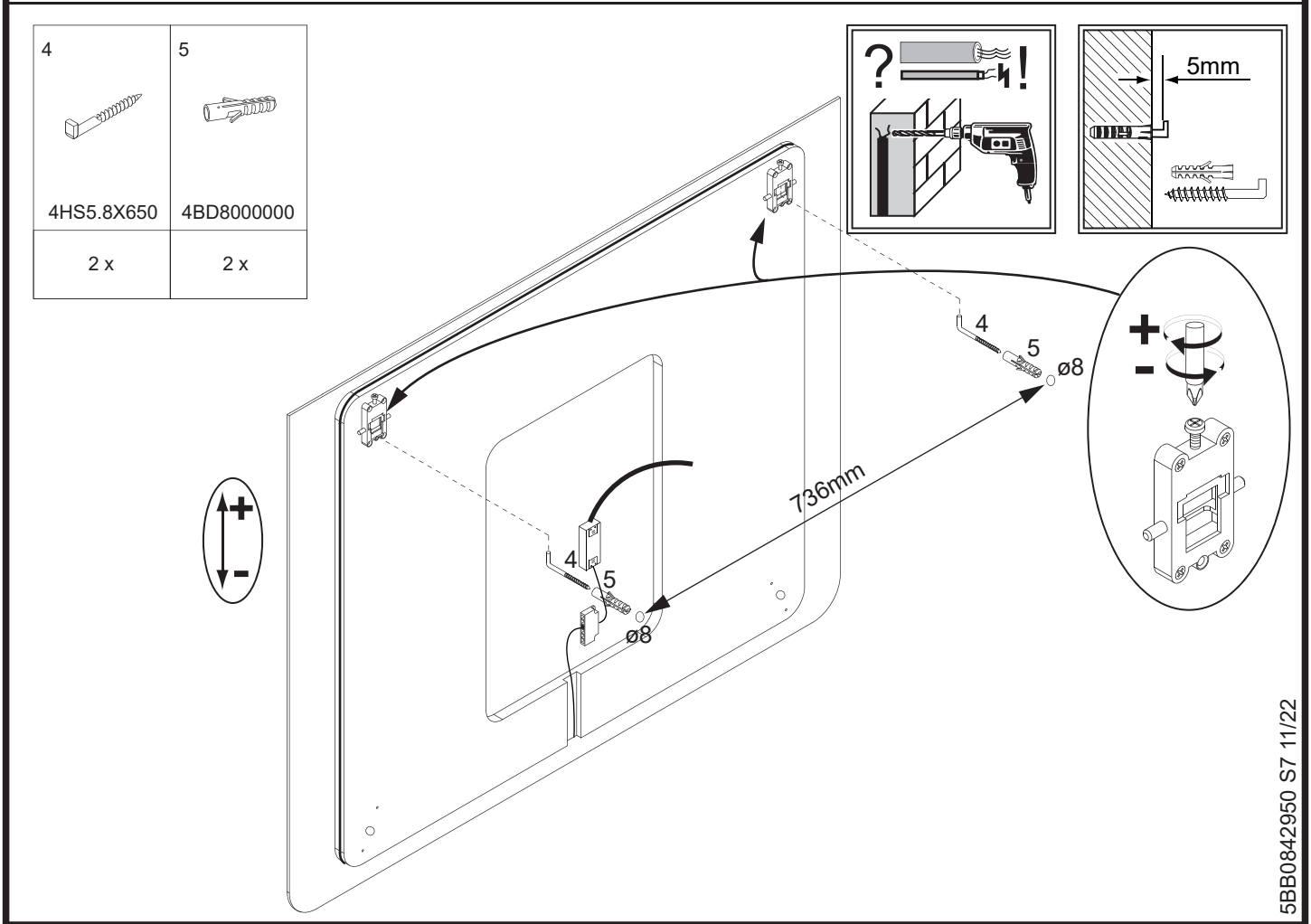
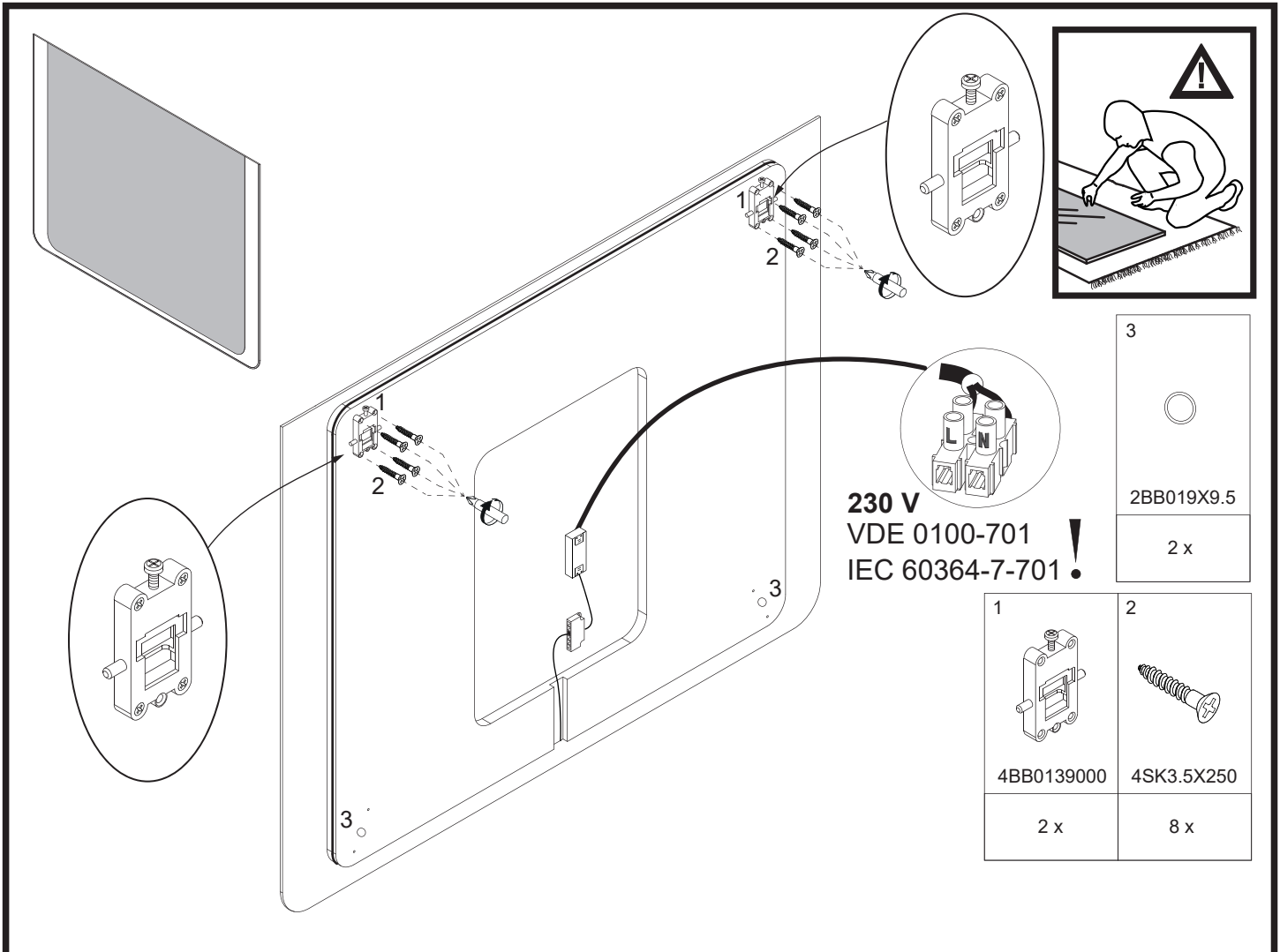
| | |
|------------|------------|
| 1 | 2 |
| | |
| 4BB0139000 | 4SK3.5X250 |
| 2 x | 8 x |

| | |
|------------|------------|
| 4 | 5 |
| | |
| 4HS5.8X650 | 4BD8000000 |
| 2 x | 2 x |



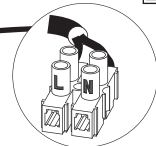
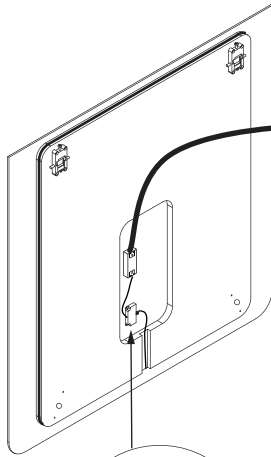




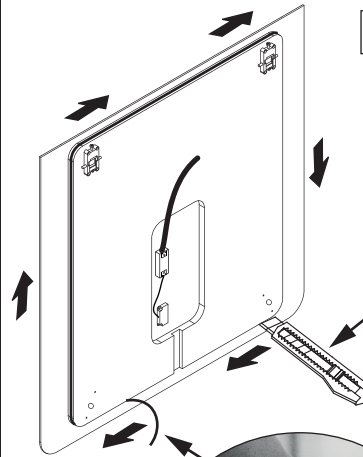
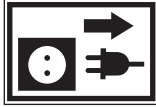
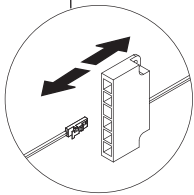




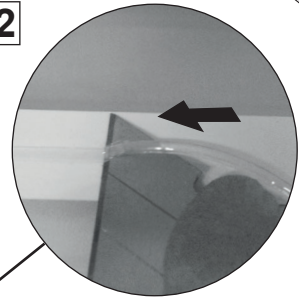
Austausch LED-Band/
change of LED-stripe



230 V
VDE 0100-701
IEC 60364-7-701 !

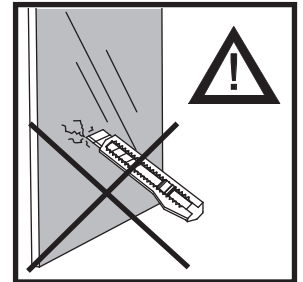
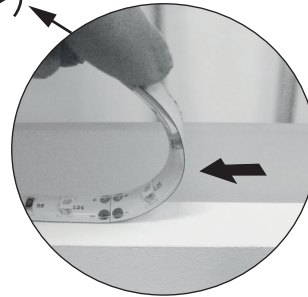


2.2



Klebereste entfernen/
remove adhesive residues

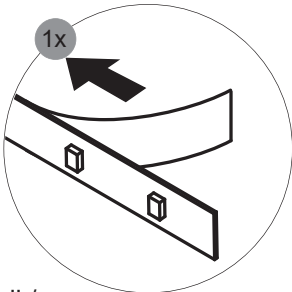
2.1



Schritt **3.2.1** und **3.2.2** **abwechselnd** durchführen
LED-Band mit Heißkleber/ Silikon fixieren

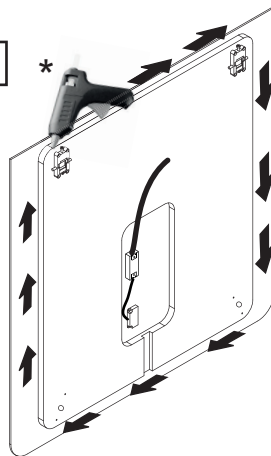
Carry on with step **3.2.1** and **3.2.2** **alternately**
Fix LED-Stripe with glue/ silicone

3.1 Folie abziehen/
remove foil



1x

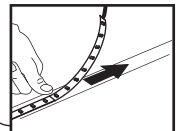
3.2.1 *



3.2.1



3.2.2



max. 30sec.

Ersatzteil /
replacement part

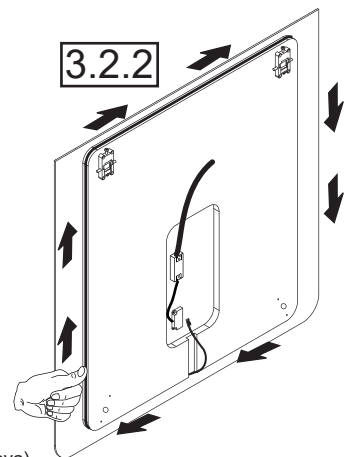


84295 = 4SL0842950
84298 = 4SL0842980
84299 = 4SL0842990

1x

VORSICHT - heiß!
CAUTION - hot!

3.2.2



* Schmelzklebertyp: EVA (Ethylen-Vinylacetat-Copolymer)
type of hot-melt-adhesive: ethylene-vinylacetate-copolymer (eva)

230 V
VDE 0 100 Teil 701 !

