

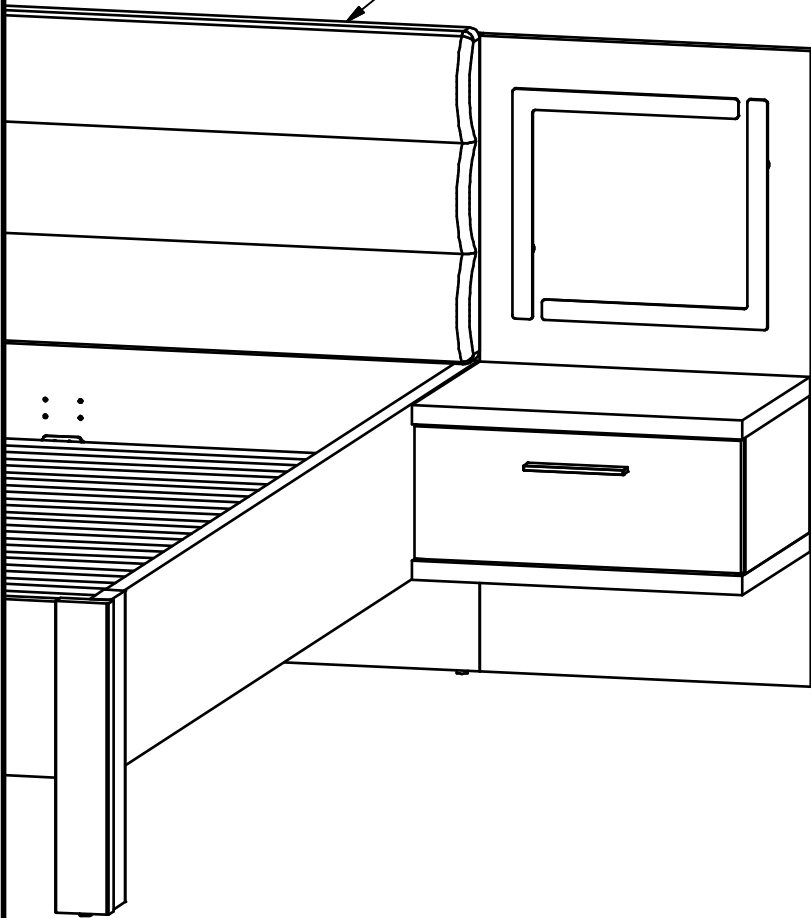
**A**

**S559-PAN\_I**

**36-998**

2 / 10

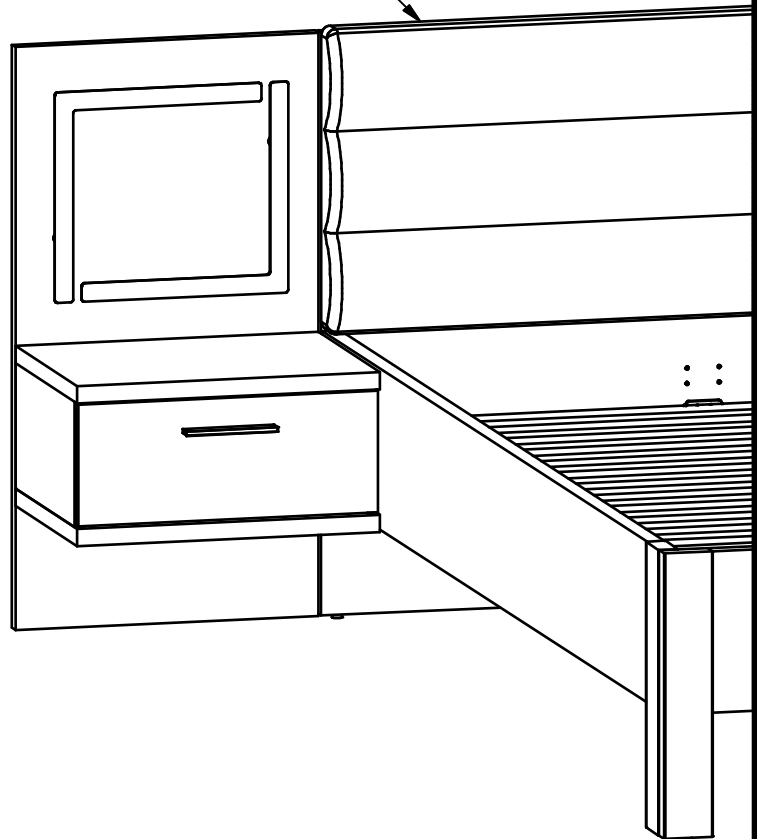
22-998  
22-997

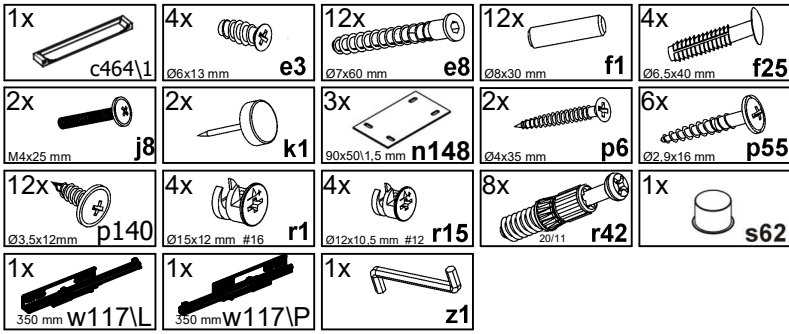


**A**

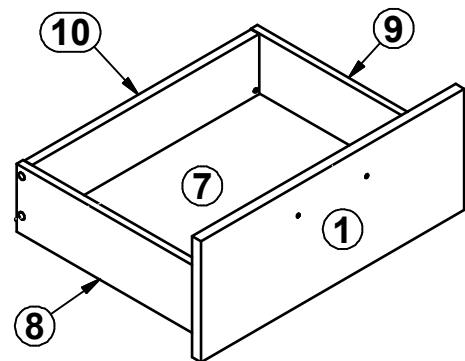
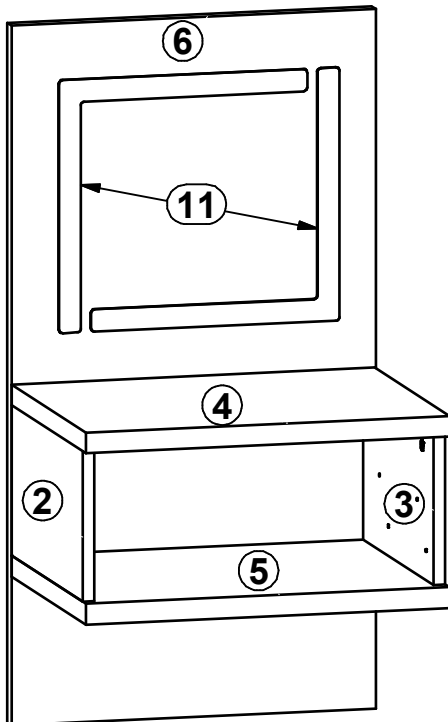
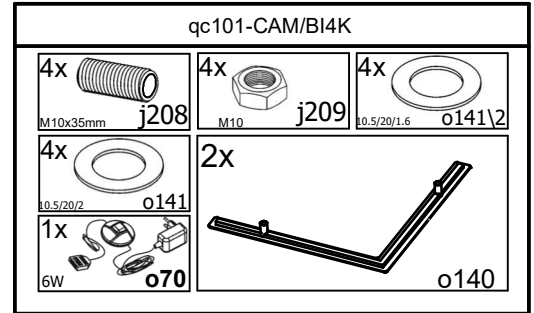
22-998  
22-997

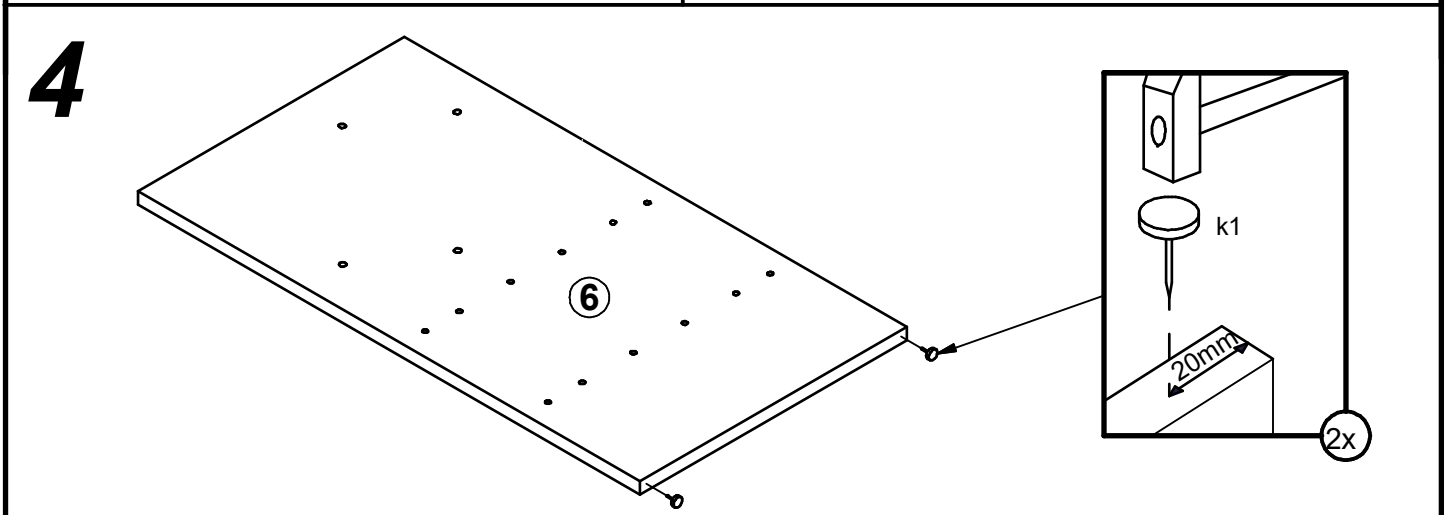
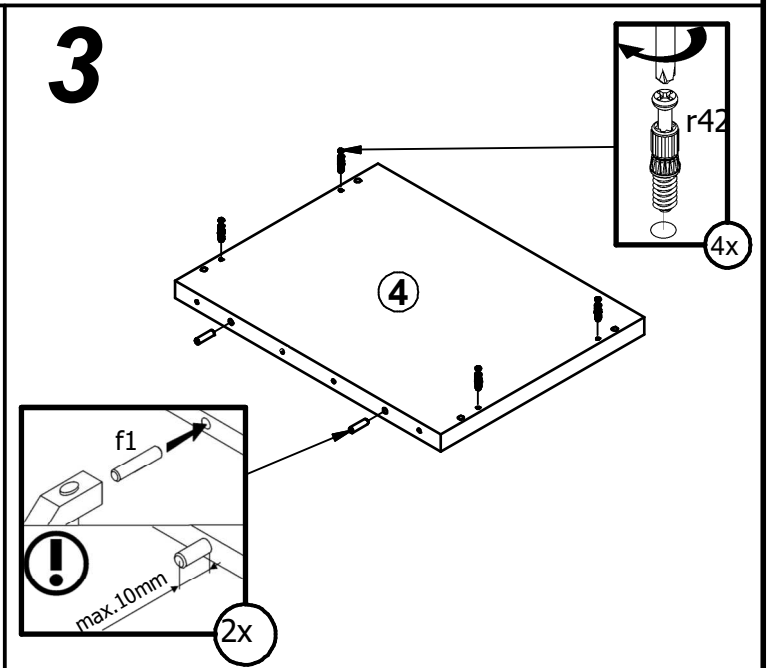
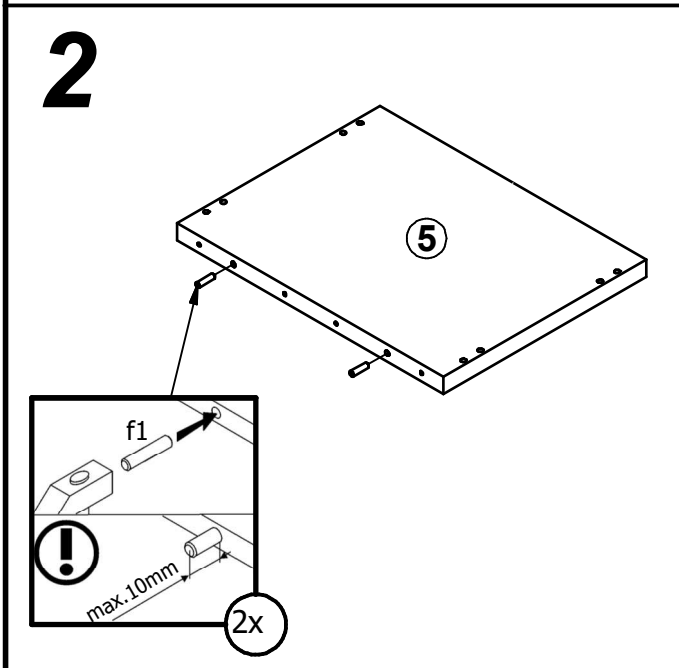
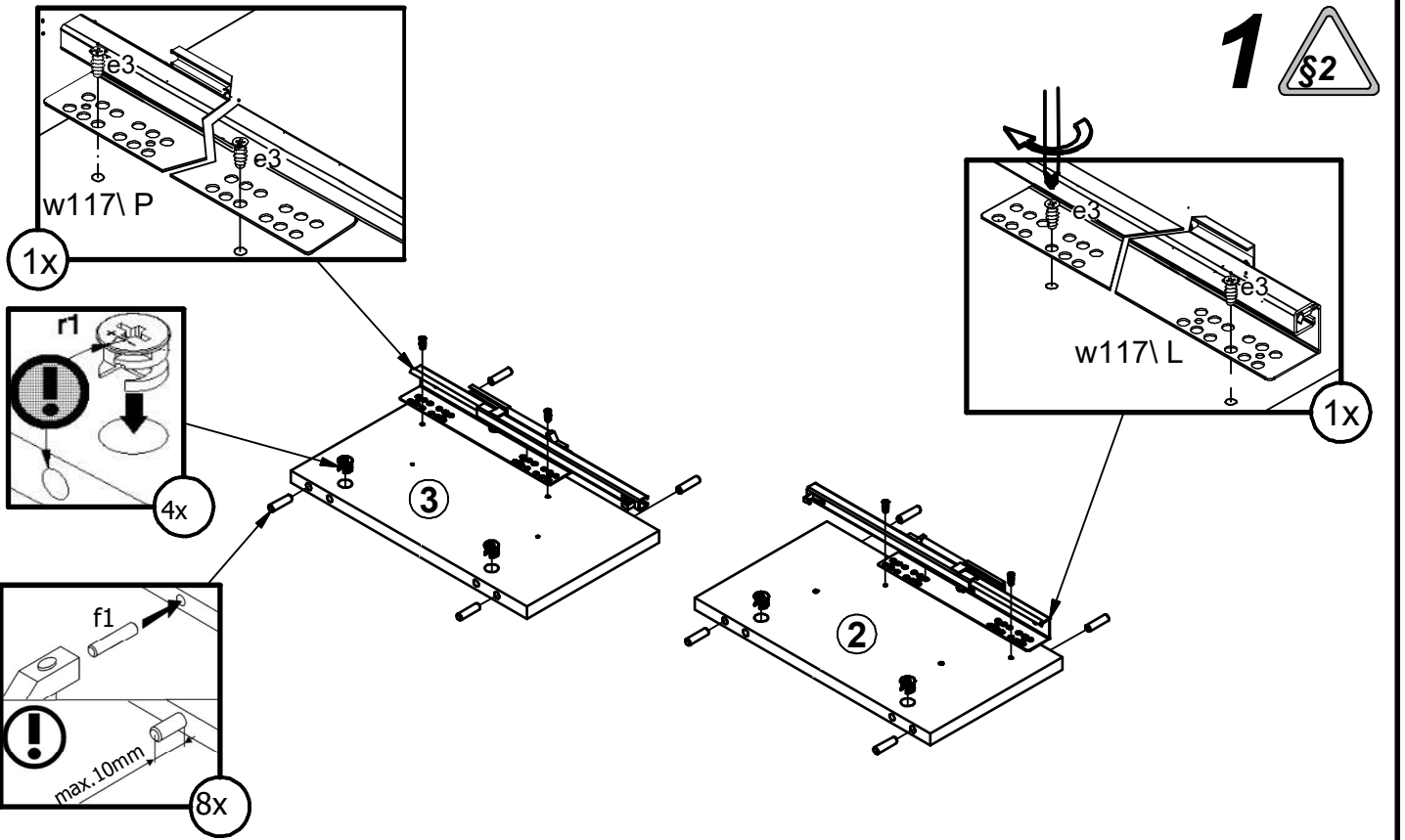
**B**

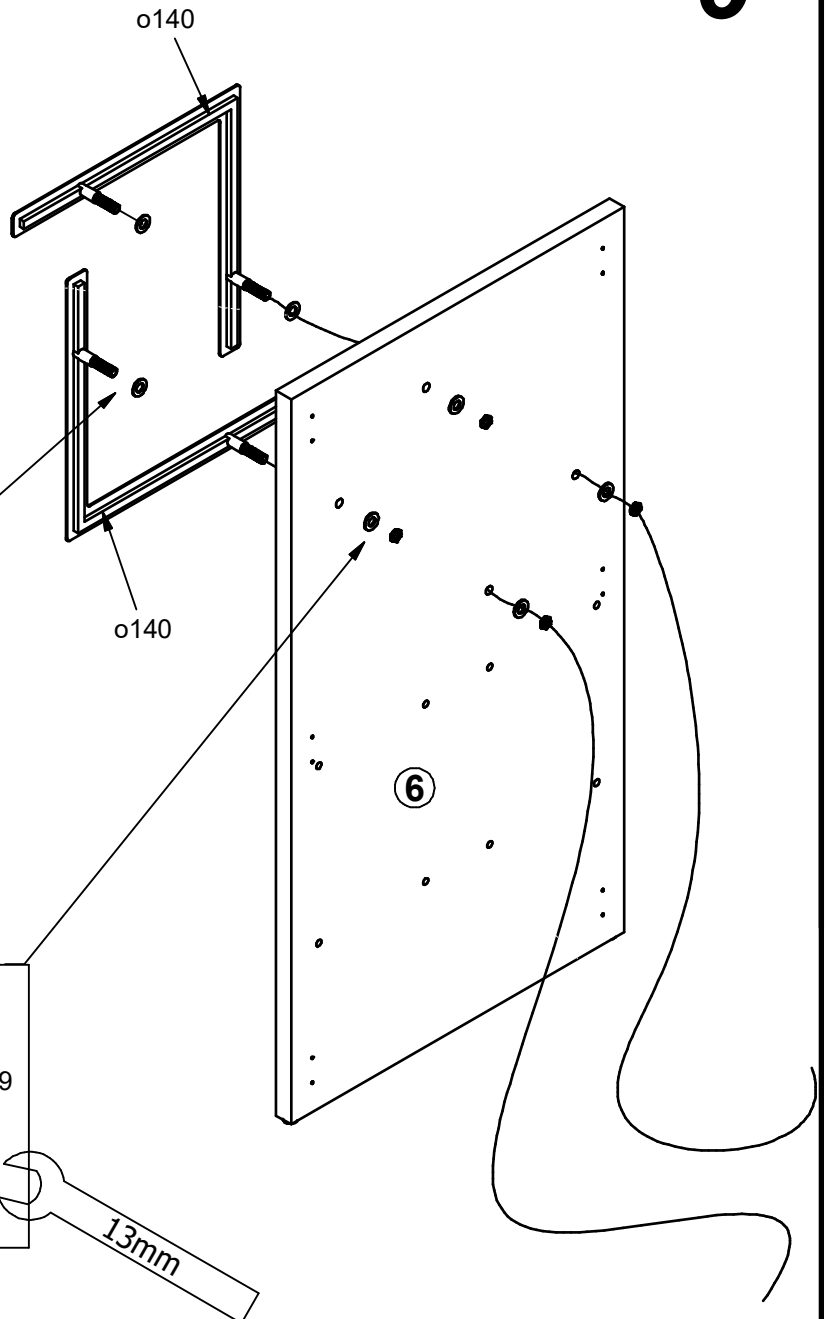
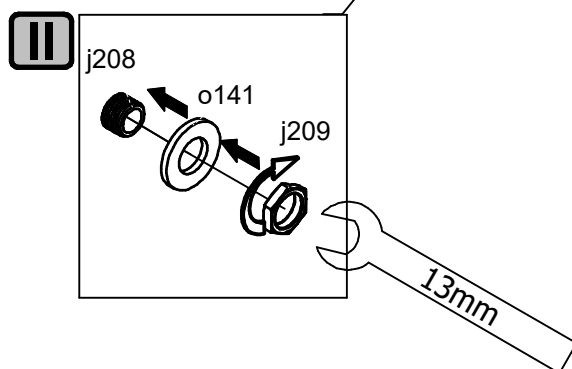
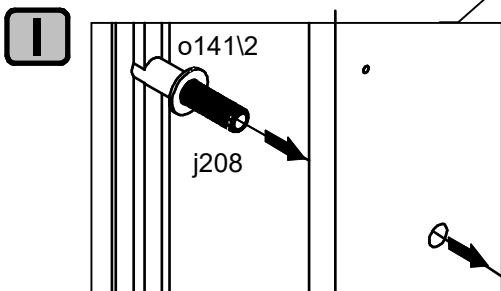
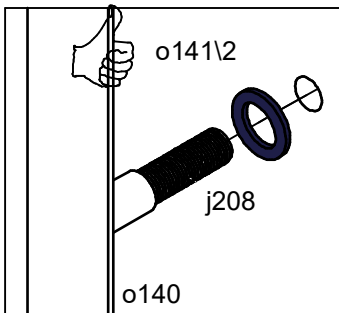
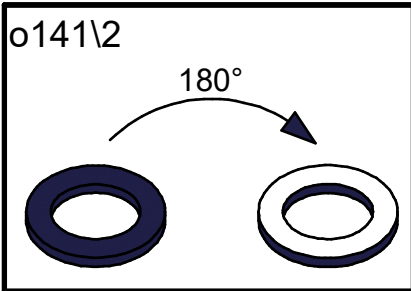
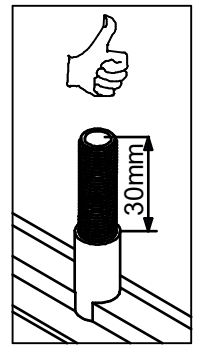
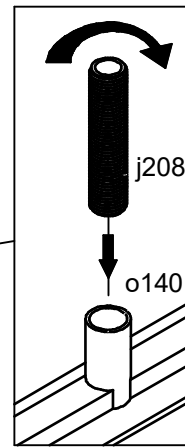
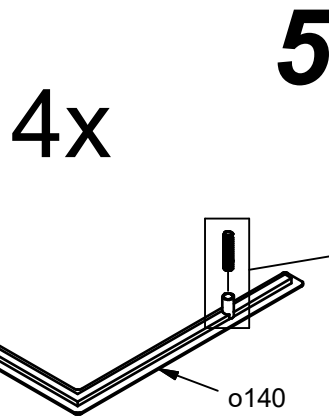
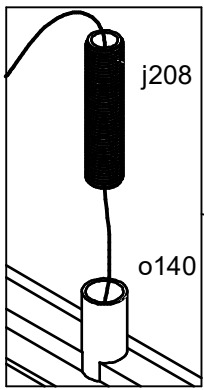




A	B	C1	C2	C3	D
1	S559-0011	493	196	16	1/1
2	S559-1015	361	202	16	1/1
3	S559-1016	361	202	16	1/1
4	S559-2004	498	380	28	1/1
5	S559-2005	498	380	28	1/1
6	S559-4502	940	499	22	1/1
7	WSP-9469	435	358	2,5	1/1
8	ZQ6-519	350	110	12	1/1
9	ZQ6-520	350	110	12	1/1
10	ZQ6-5319	425	97	15	1/1

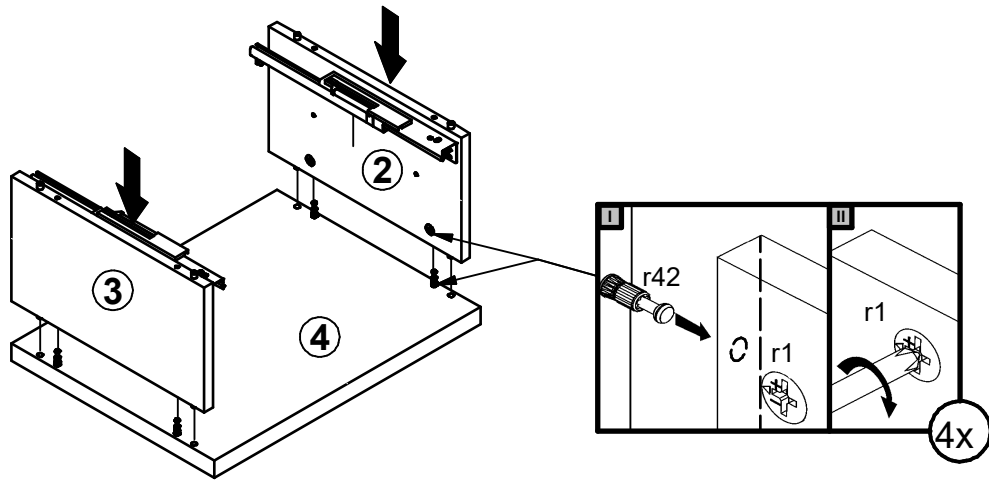




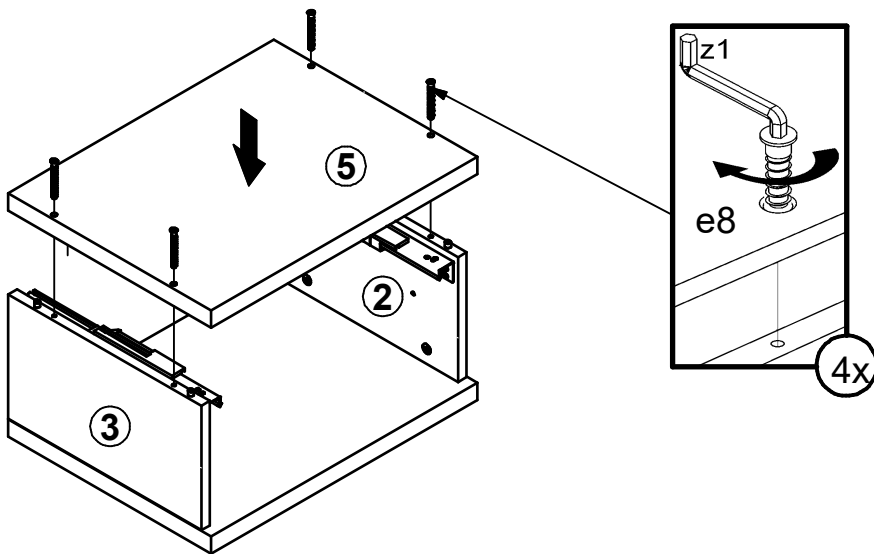


6

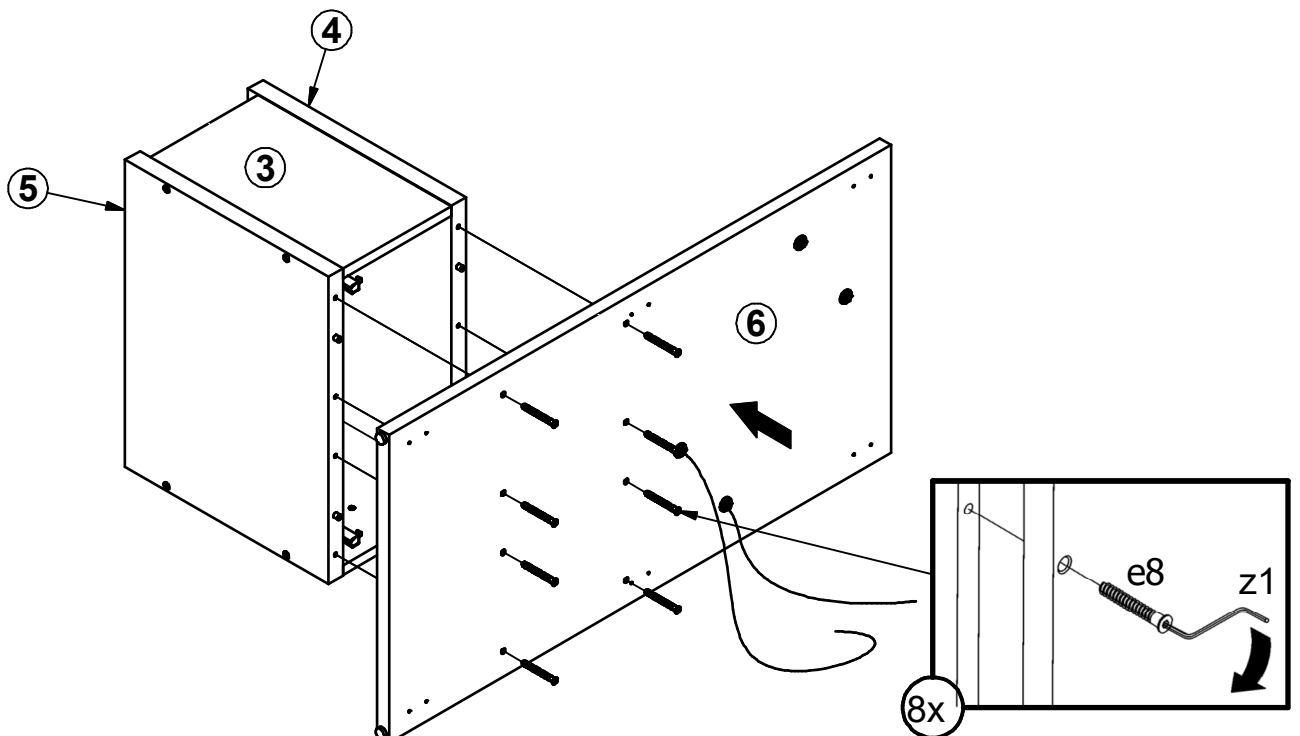
7



8

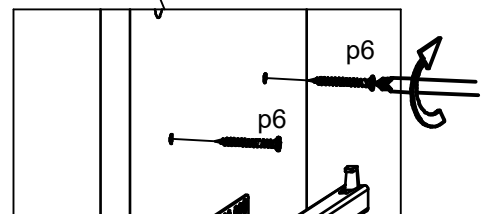
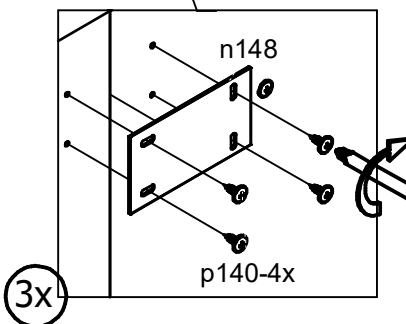
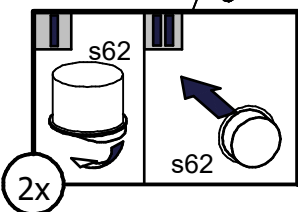
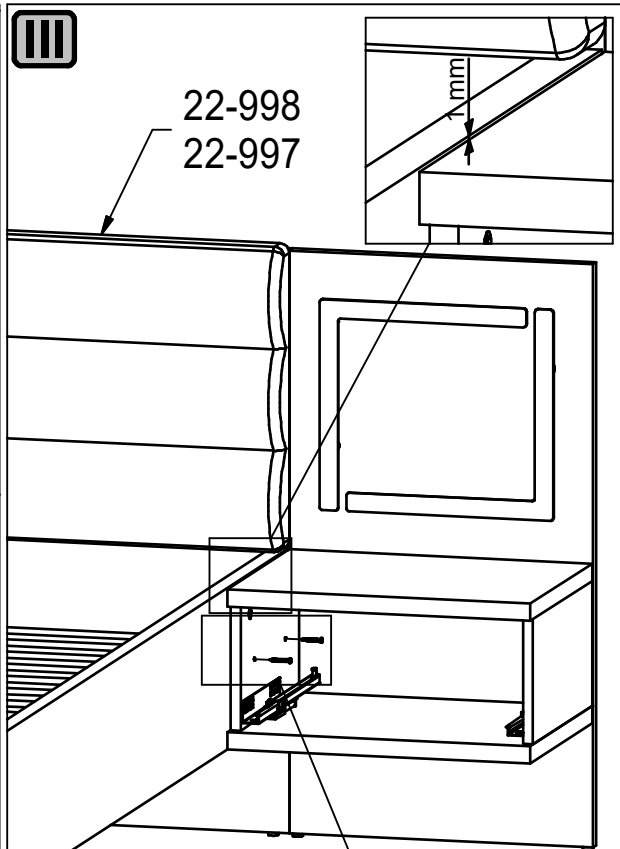
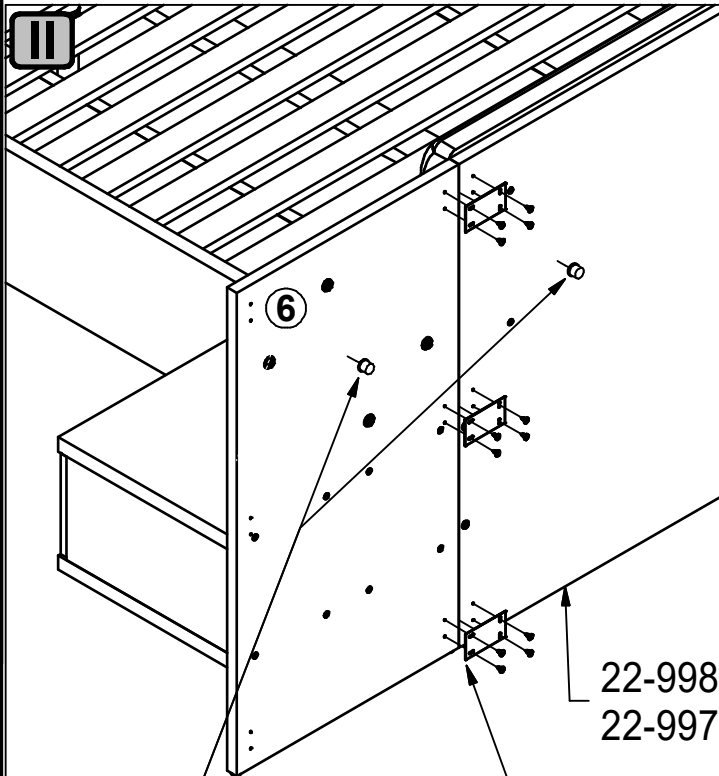
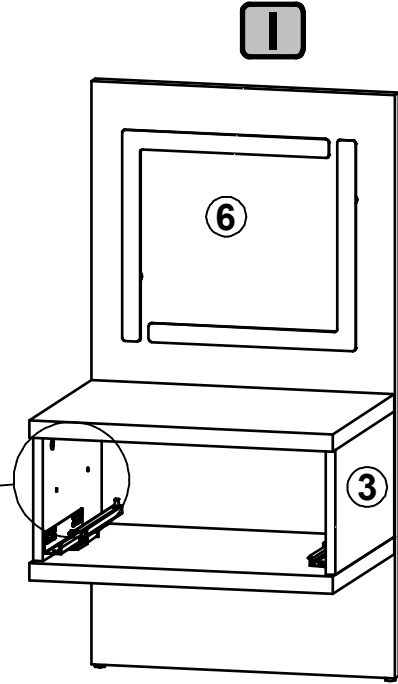
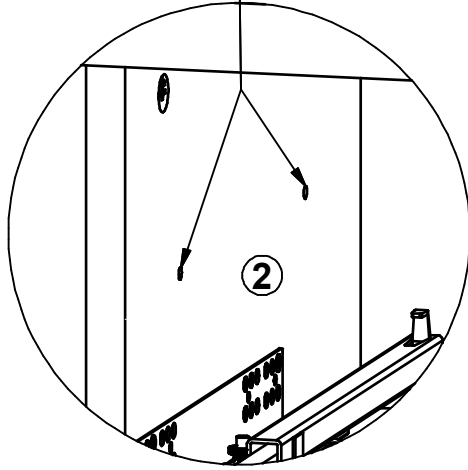
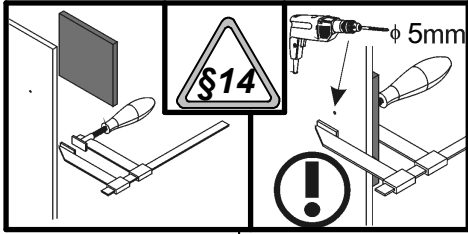


9



# 10

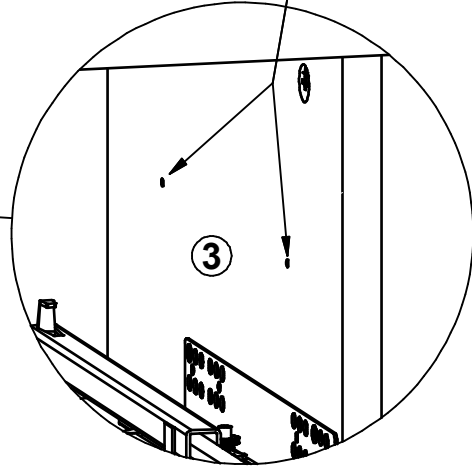
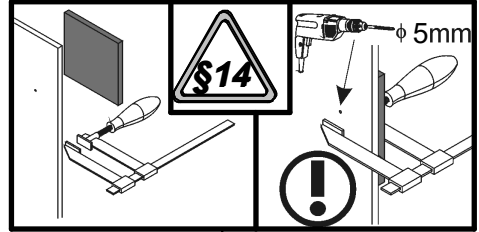
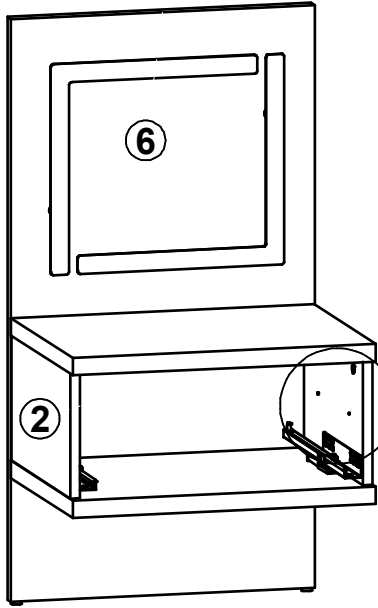
# A



B

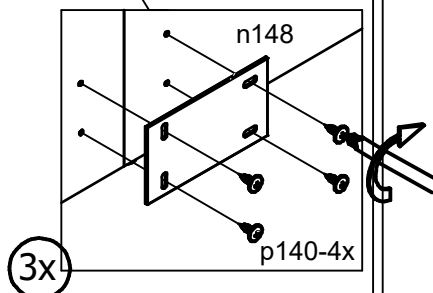
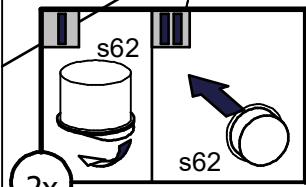
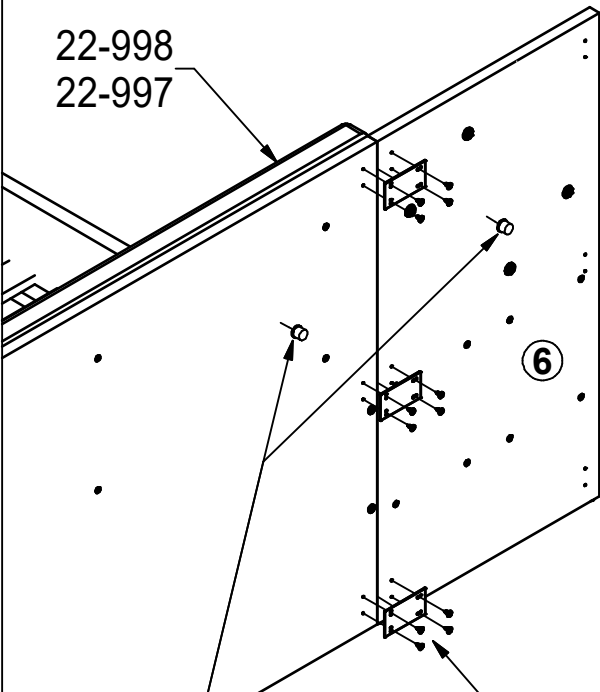
I

11



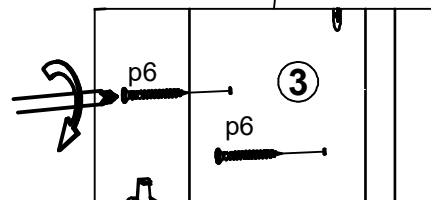
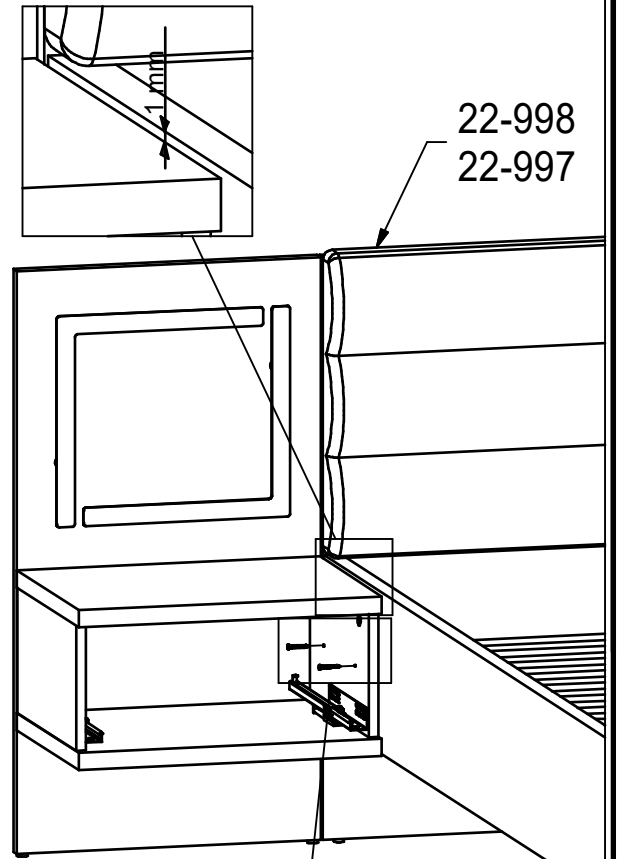
II

22-998  
22-997



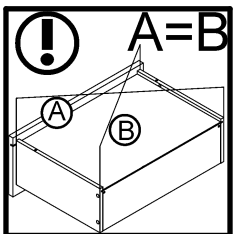
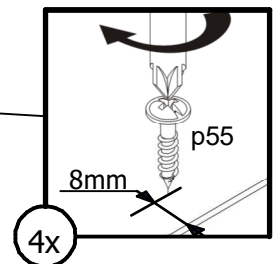
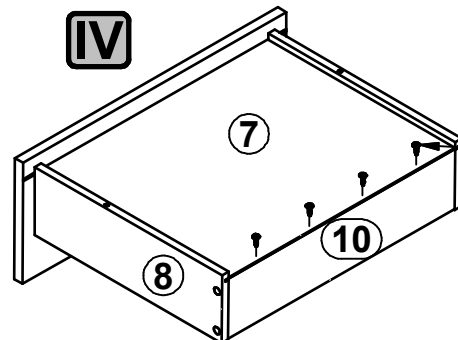
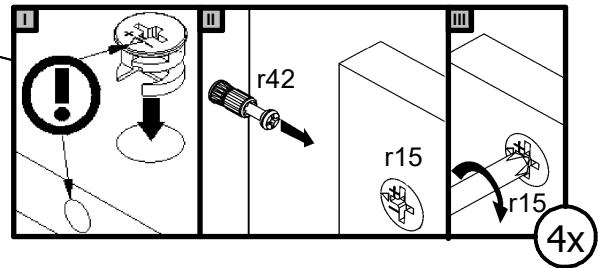
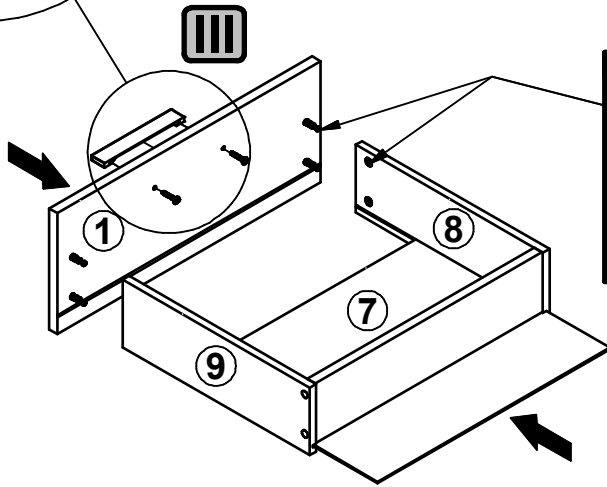
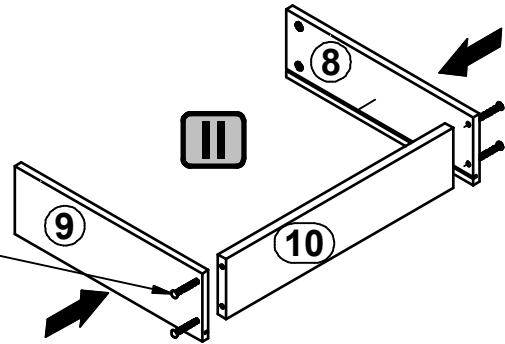
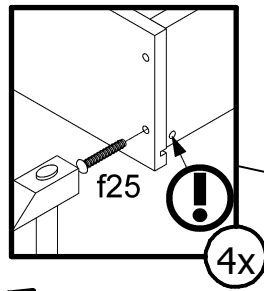
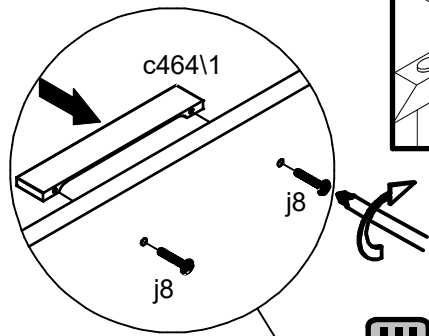
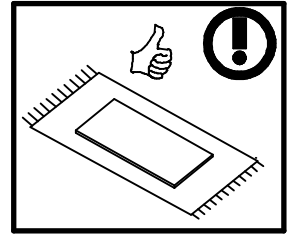
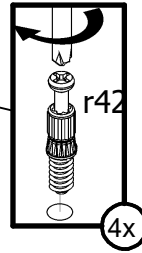
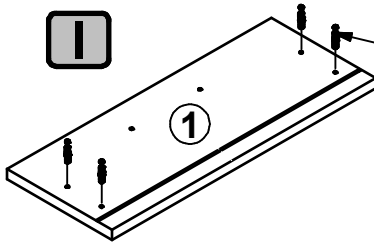
III

22-998  
22-997





12



# 13

