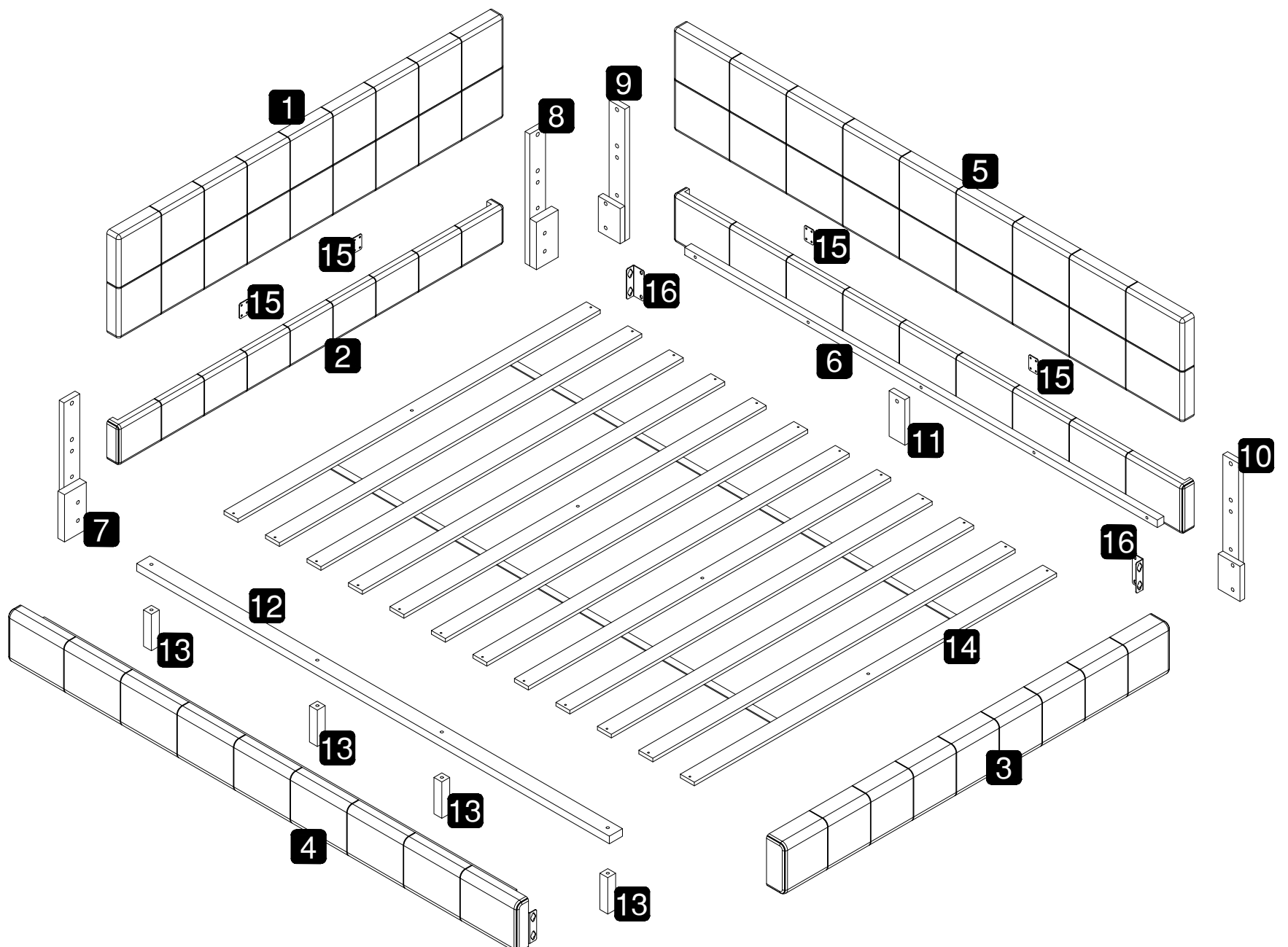
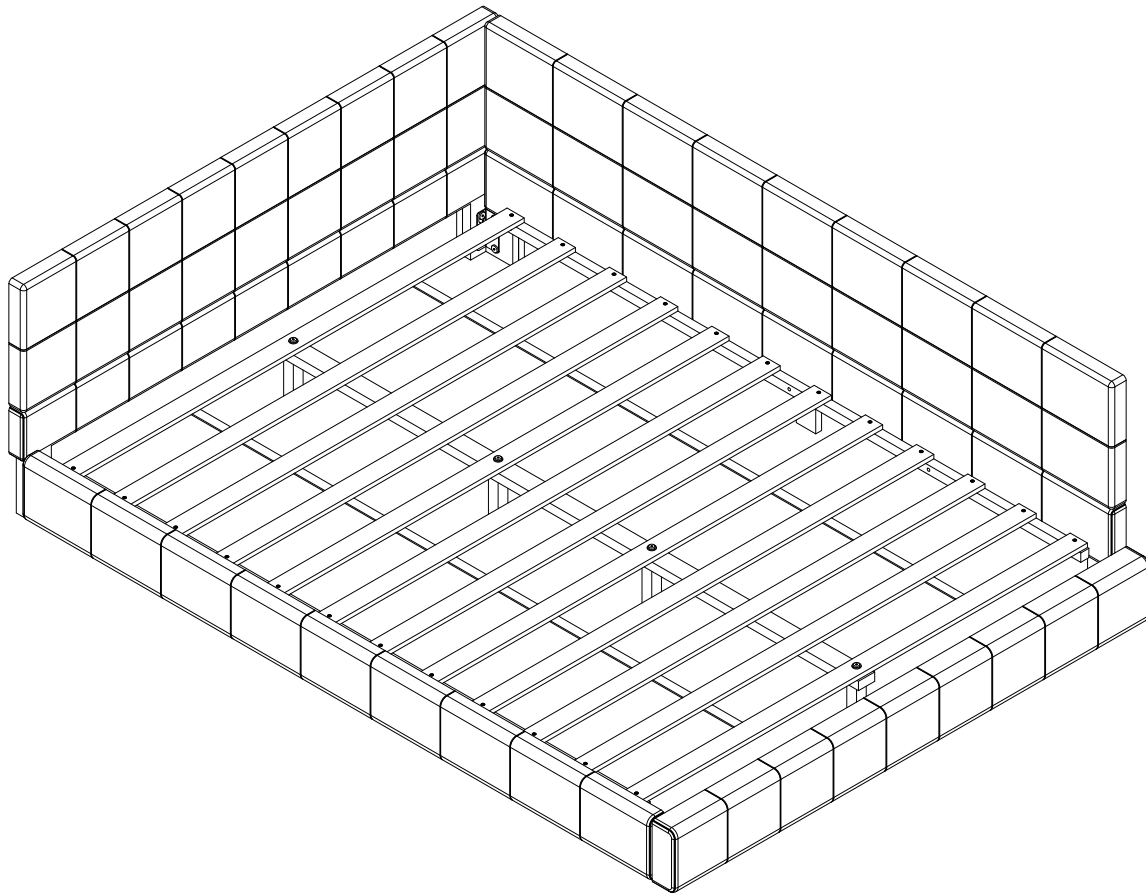


# ASSEMBLY INSTRUCTION

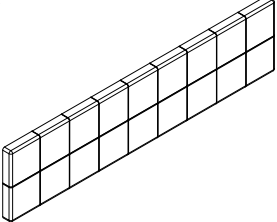
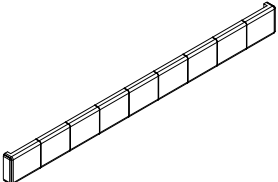
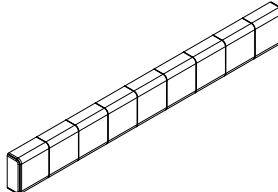
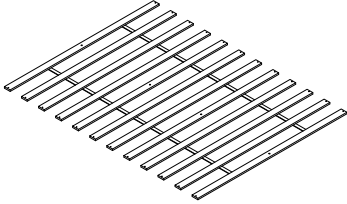
WF310079/WF310080

## TIPS

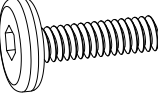
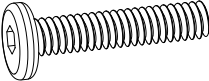



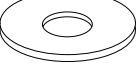

1. Please read the instructions fully before assembly. These instructions include important information which could ensure correct assembly. We have been working on providing high quality products for you. However, in the rare instance that your product is defective, missing parts or there are some issues, please don't hesitate to contact our customer service to submit parts requirements, assembly suggestion, or warranty claims, and we will give the best solution as soon as possible. If necessary, we need you to provide some more clear pictures of the issue.
2. Insert the screws in holes and tighten the screws, but not too tight, 70%~80% is ok, finally tighten all the screws. If some issues happened that some screws can not target to the hole or some parts are difficult to install, please adjust the tightness of the screws.
3. 2 people are recommended to finish.



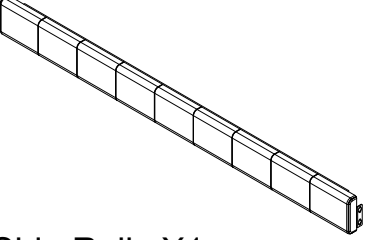
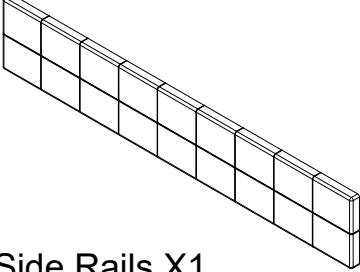
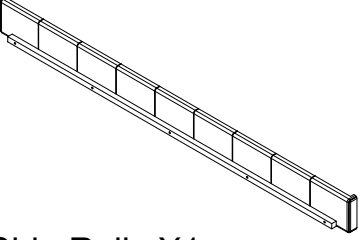
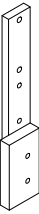
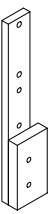


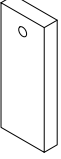
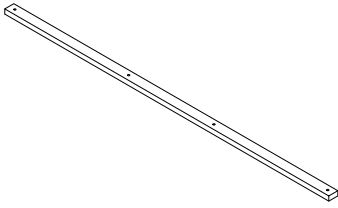
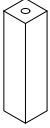
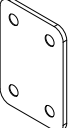
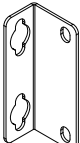
## Part List WF310079

<p><b>1</b></p>  <p>Headboard X1</p>	<p><b>2</b></p>  <p>Headboard X1</p>	<p><b>3</b></p>  <p>Footboard X1</p>	<p><b>14</b></p>  <p>Slats X1</p>	
-----------------------------------------------------------------------------------------------------------------------	-----------------------------------------------------------------------------------------------------------------------	------------------------------------------------------------------------------------------------------------------------	----------------------------------------------------------------------------------------------------------------------	--


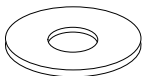
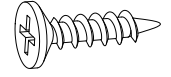
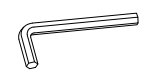
## Hardware List WF310080

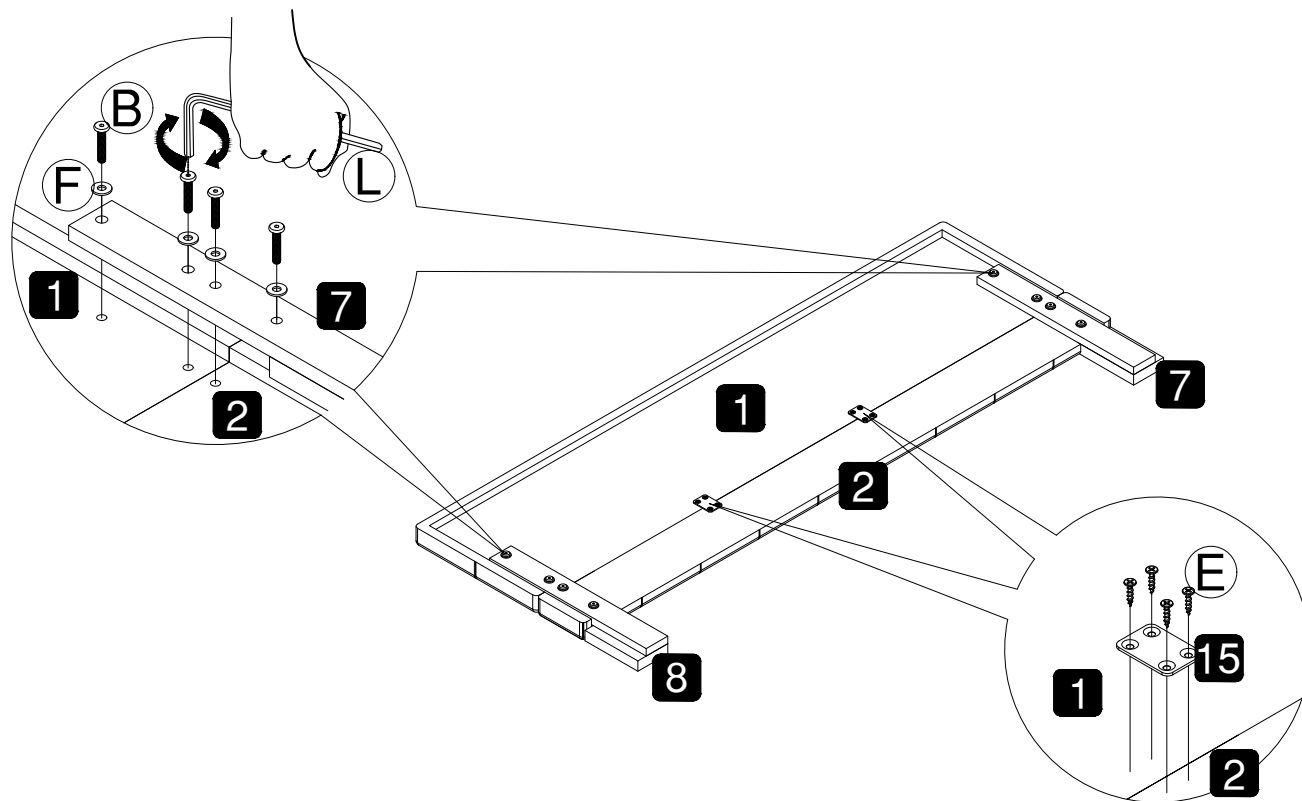
<p><b>A</b></p>  <p>Bolts(M8x20mm) X12</p>	<p><b>B</b></p>  <p>Bolts(M8x40mm) X17</p>	<p><b>C</b></p>  <p>Bolts(M6x55mm) X4</p>	<p><b>D</b></p>  <p>Screw(4.0x35mm) X24</p>	<p><b>E</b></p>  <p>Screw(4.0x20mm) X16</p>
<p><b>F</b></p>  <p>Flat Washer X21</p>	<p><b>L</b></p>  <p>Allen Key X1</p>			

## Part List WF310080


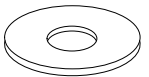
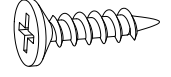
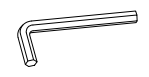
<p><b>4</b></p>  <p>Side Rails X1</p>	<p><b>5</b></p>  <p>Side Rails X1</p>	<p><b>6</b></p>  <p>Side Rails X1</p>	<p><b>7</b></p>  <p>Head board leg X1</p>	<p><b>8</b></p>  <p>Head board leg X1</p>
<p><b>9</b></p>  <p>Head board leg X1</p>	<p><b>10</b></p>  <p>Head board leg X1</p>	<p><b>11</b></p>  <p>Leg X1</p>	<p><b>12</b></p>  <p>Central Support Rail X1</p>	<p><b>13</b></p>  <p>Leg X4</p>
<p><b>15</b></p>  <p>Connecting iron sheet X4</p>	<p><b>16</b></p>  <p>Connecting iron sheet X2</p>			

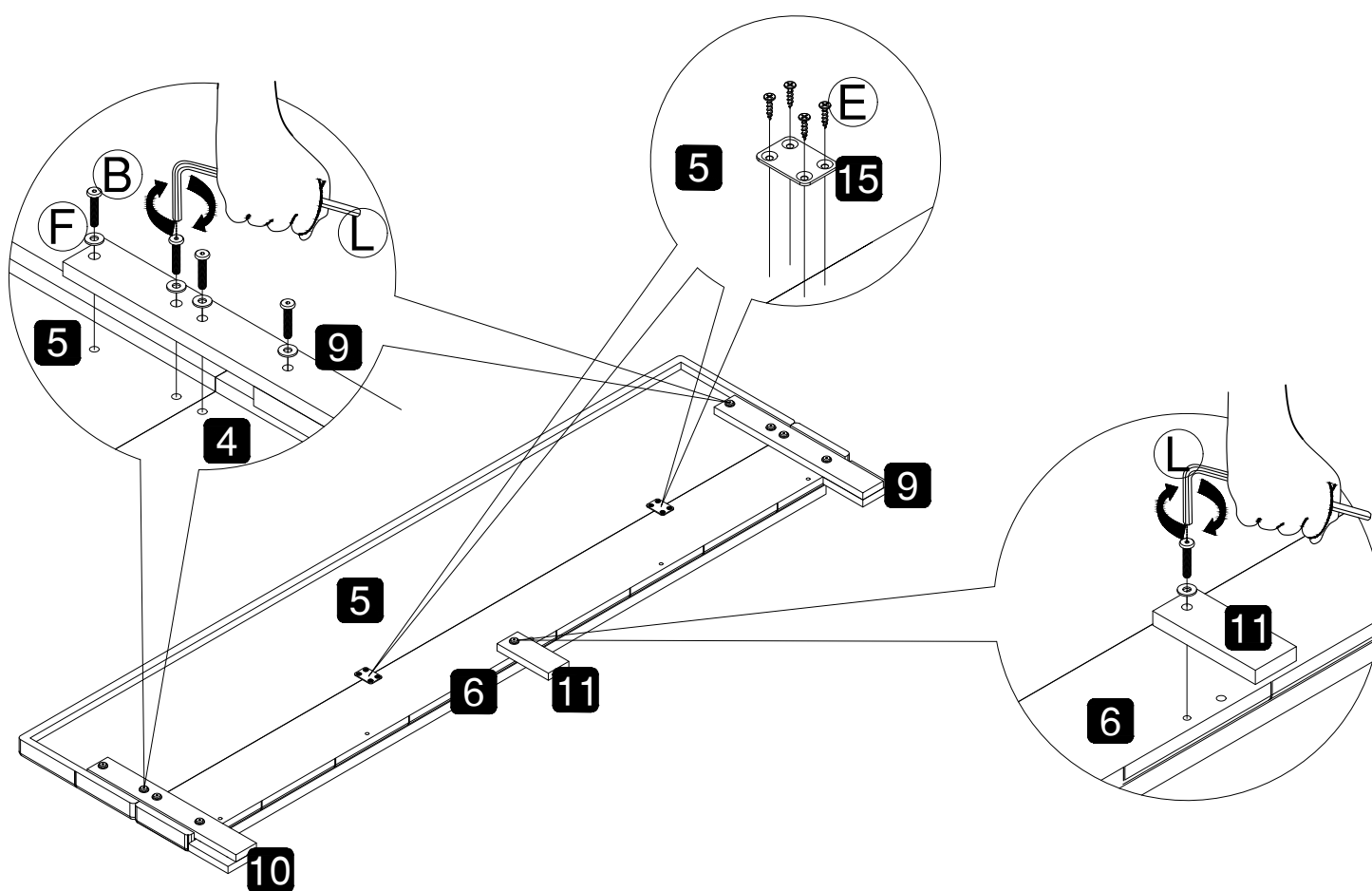
## Step 1

- B**  x8
- F**  x8
- E**  x8
- L**  x1

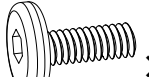



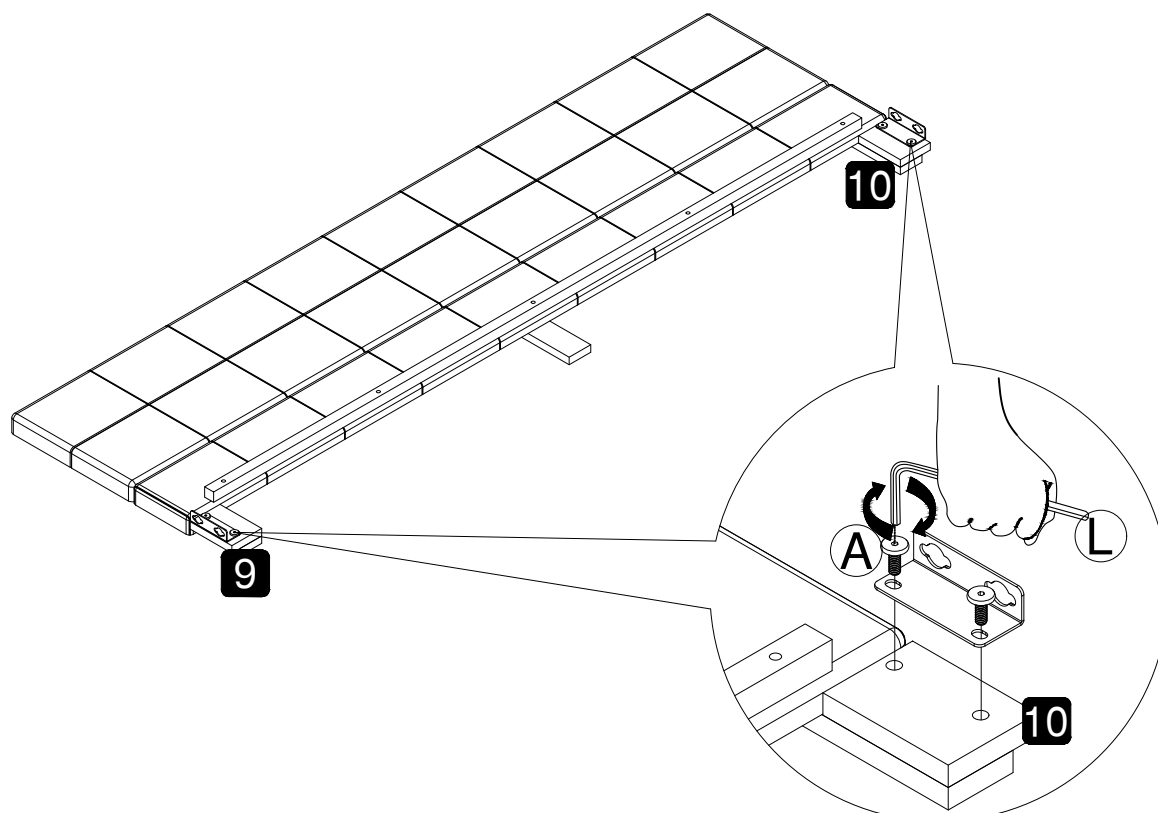
## Step 2

- B**  x9
- F**  x9
- E**  x8
- L**  x1

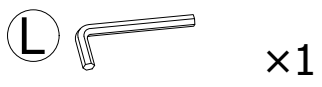
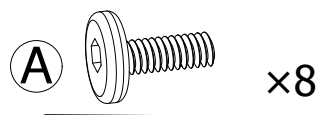


## Step 3

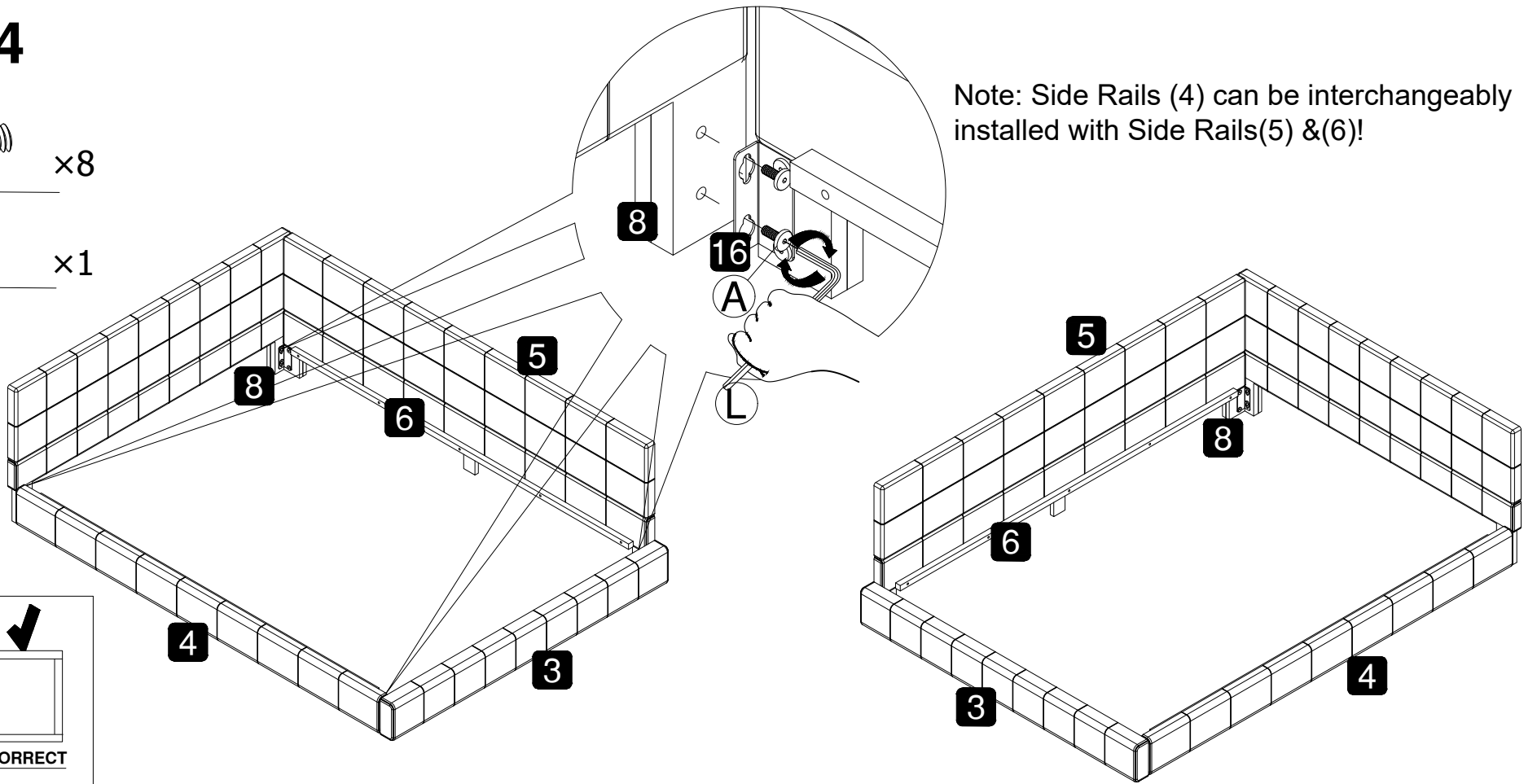
- A**  x4
- L**  x1



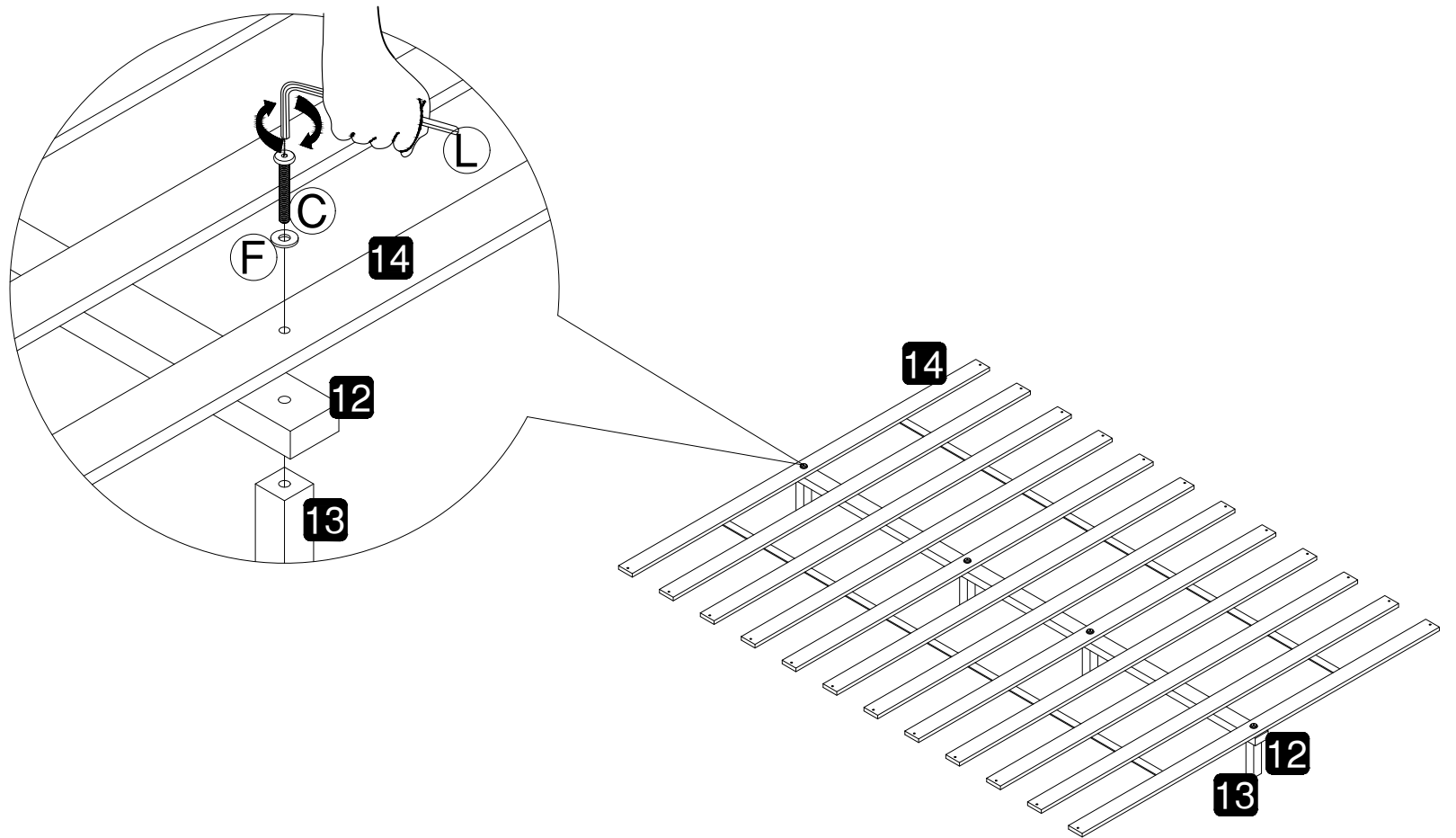
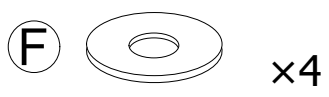
## Step 4



Note: Side Rails (4) can be interchangeably installed with Side Rails(5) &(6)!



## Step 5



## Step 6

