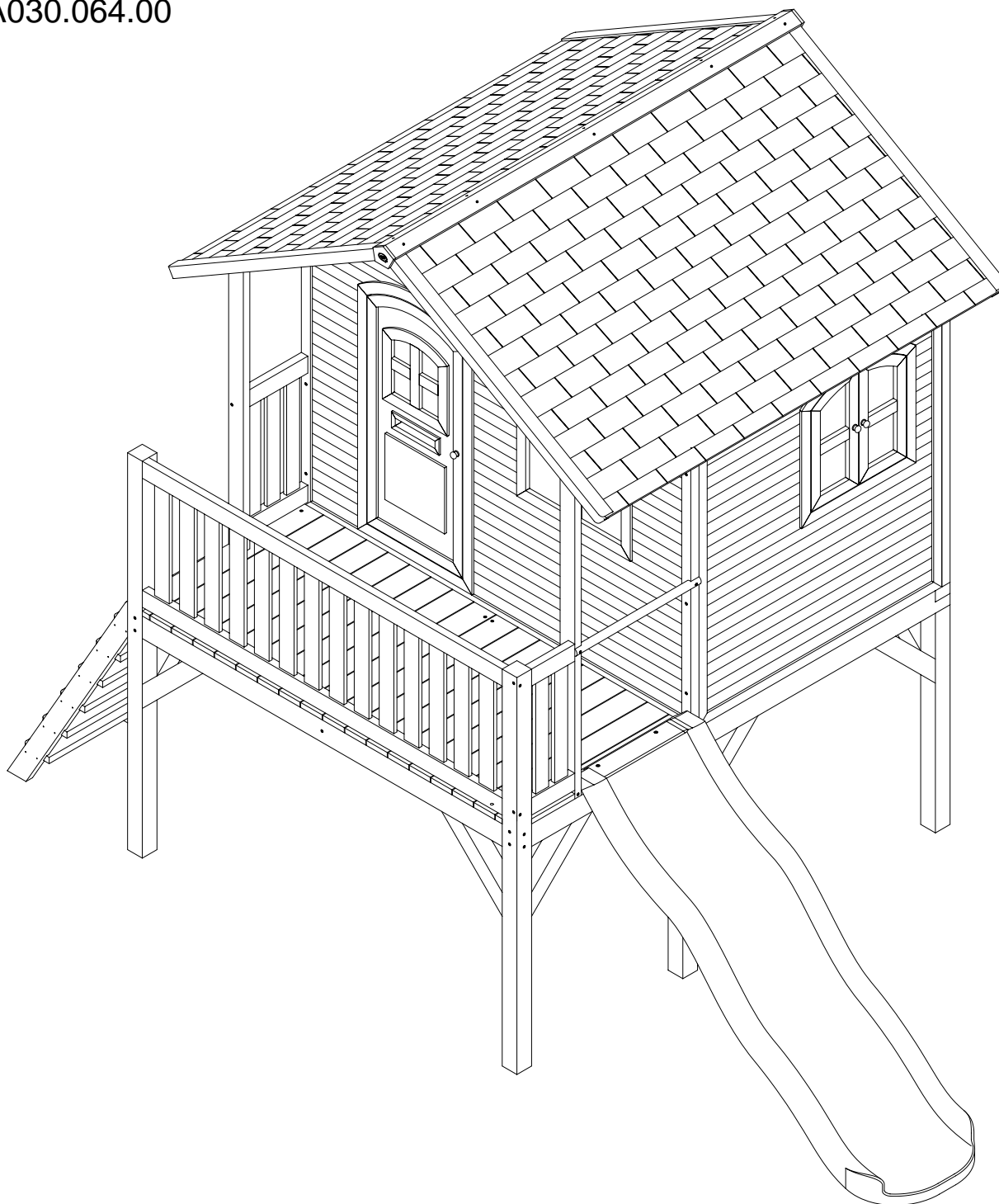
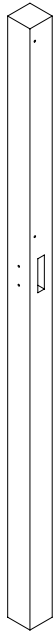


- A030.032.00
- A030.047.00
- A030.057.00
- A030.058.00
- A030.059.00
- A030.060.00
- A030.062.00
- A030.064.00





A030.062.00



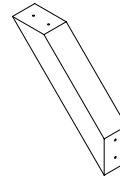
1



2

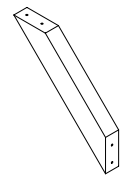


5



4x

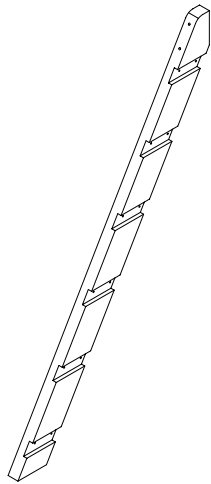
11



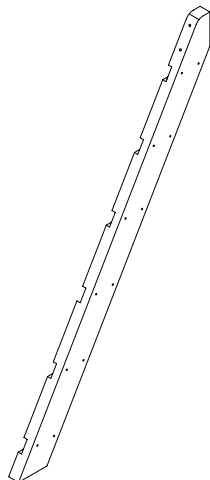
10x

12

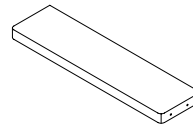
2x



29

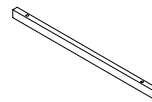


30



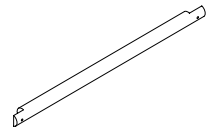
31

6x



32

2x

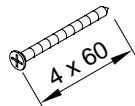


33



s1

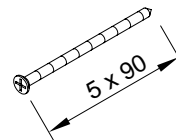
22x



s2

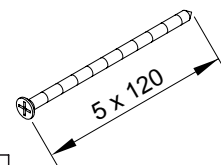
50x

s5



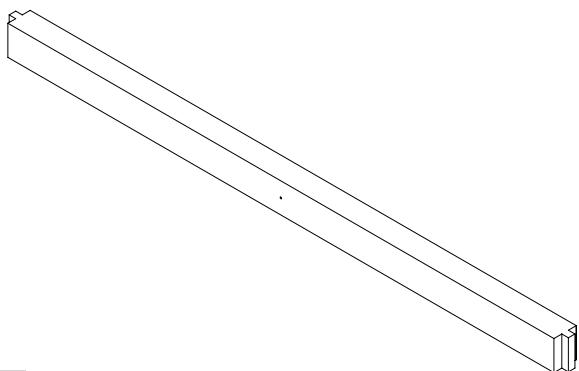
24x

s7

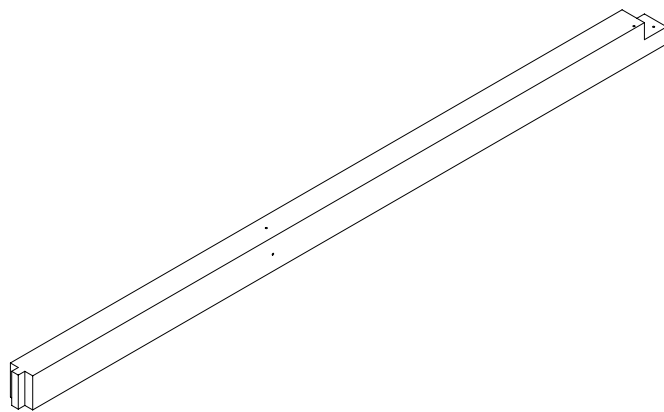


2x

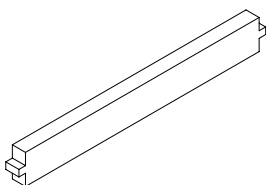
A030.064.00



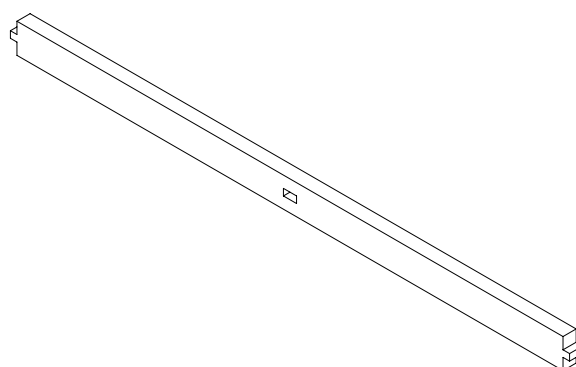
3



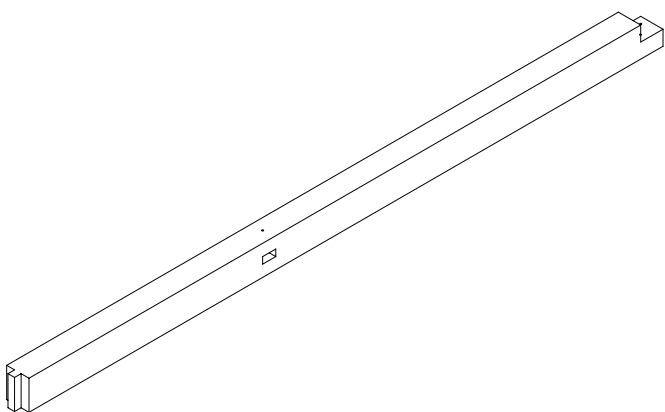
4



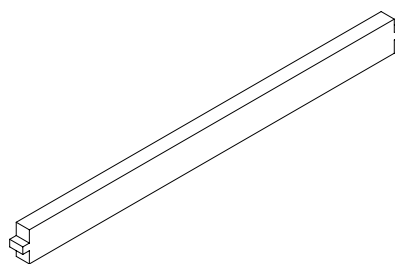
6



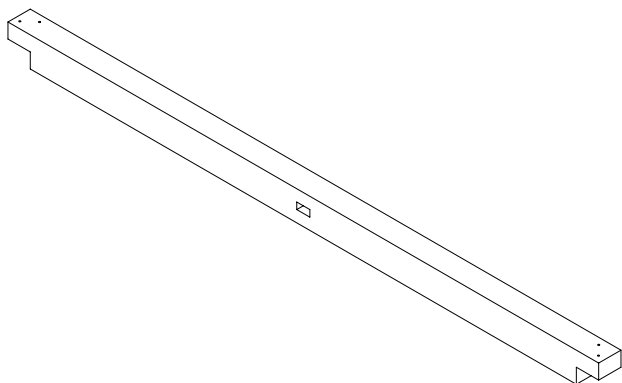
7



8

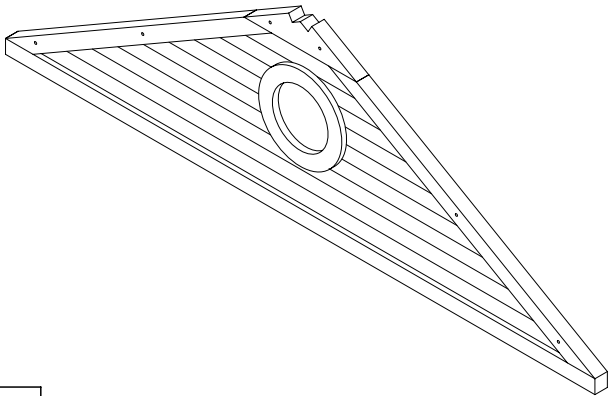


9

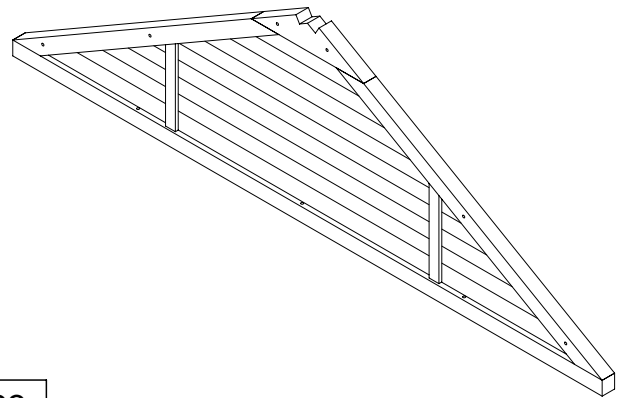


10

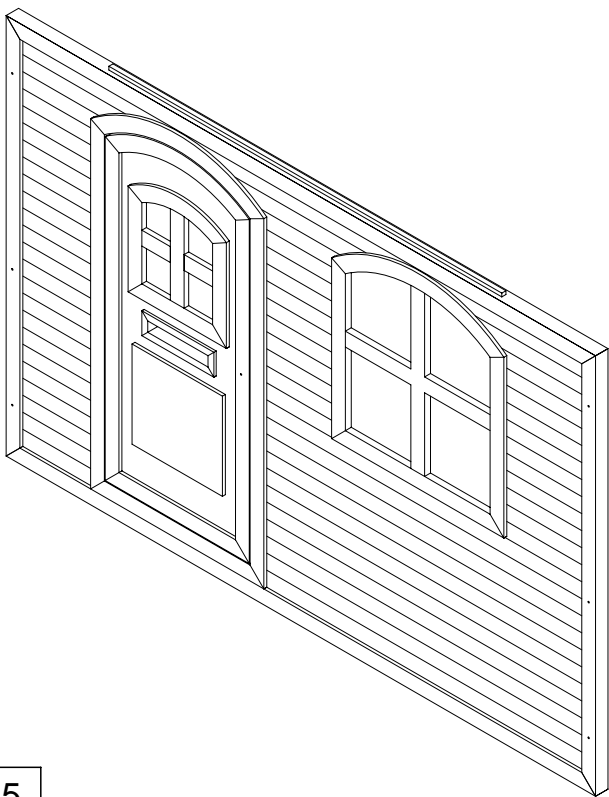
A030.057.00



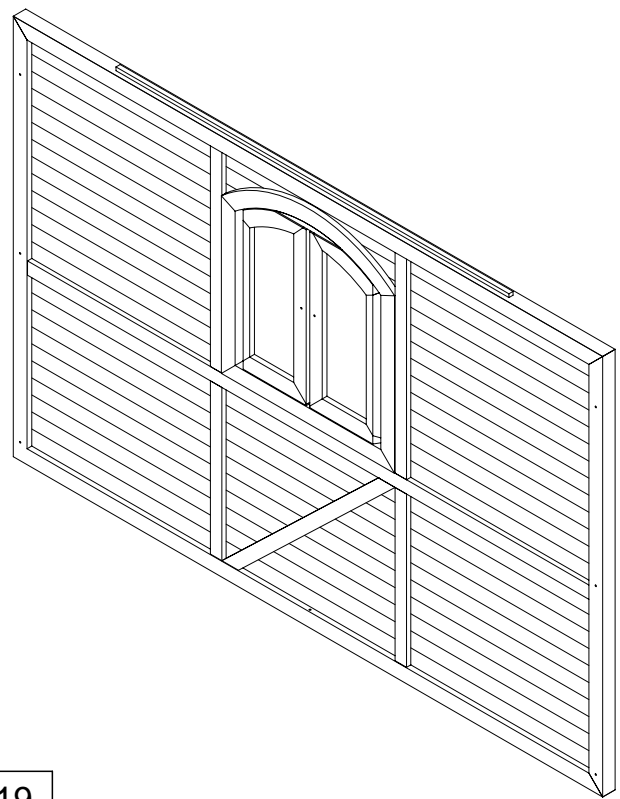
22



23



15



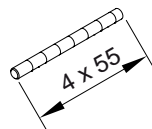
19



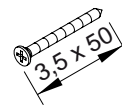
20

14x

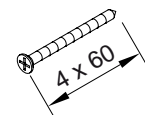
t1



7x



25x

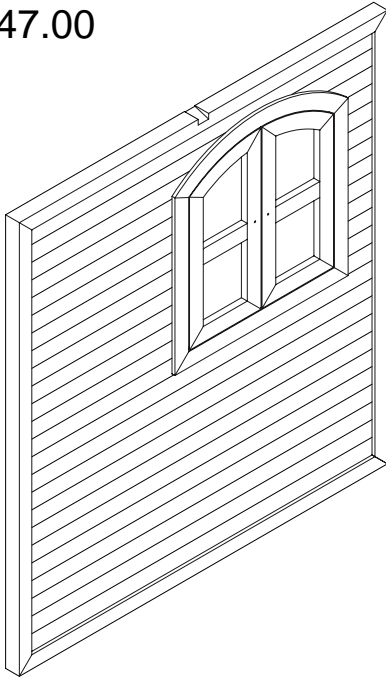


34x

s1

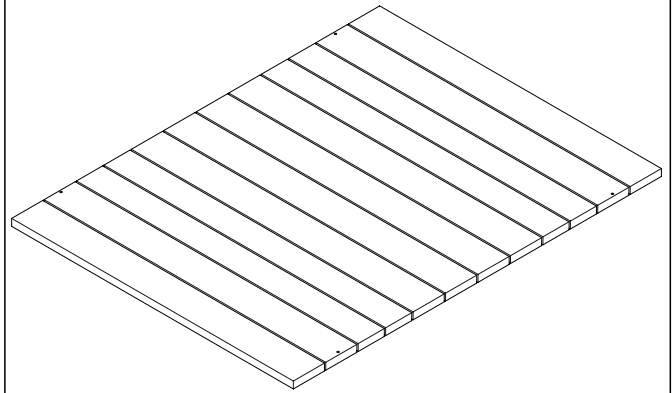
s2

A030.047.00



18

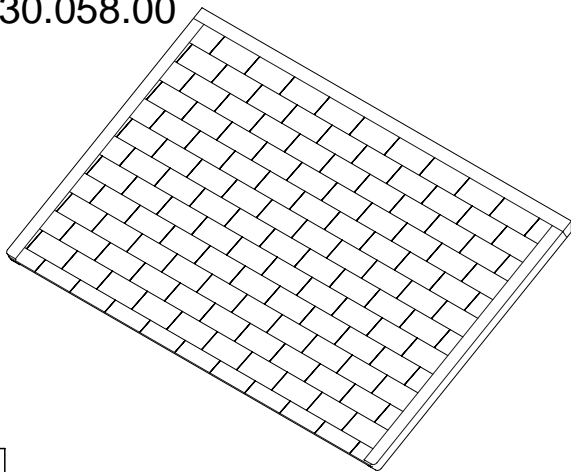
A030.059.00



21

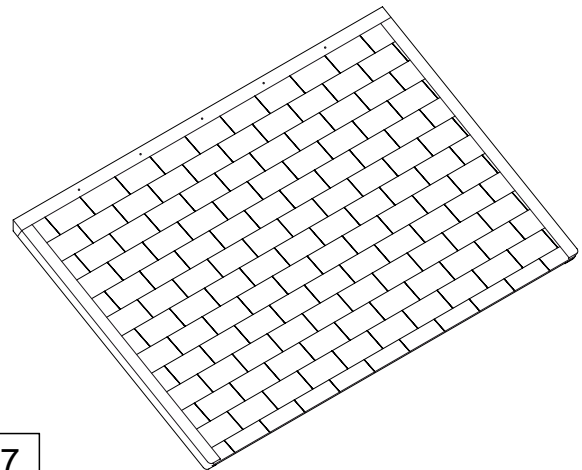
2x

A030.058.00

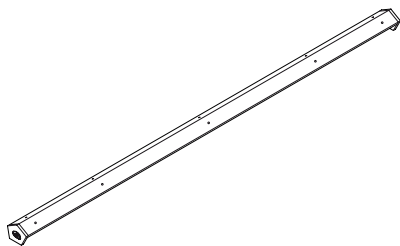


26

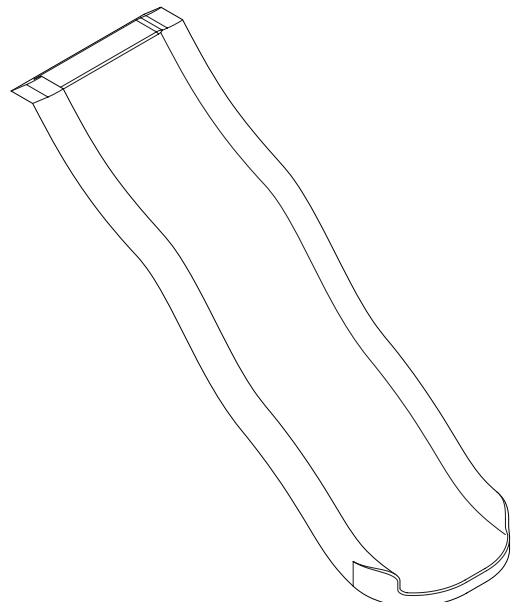
27



28

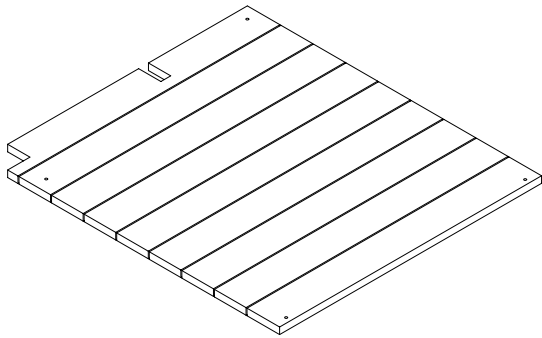


A030.032.00

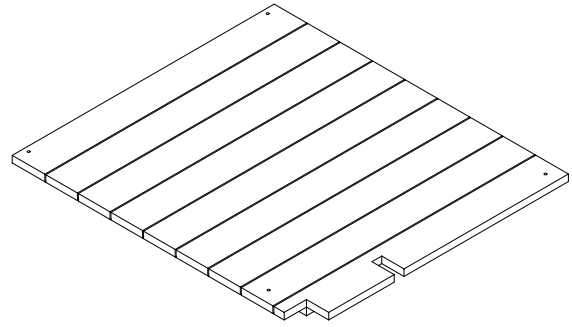


34

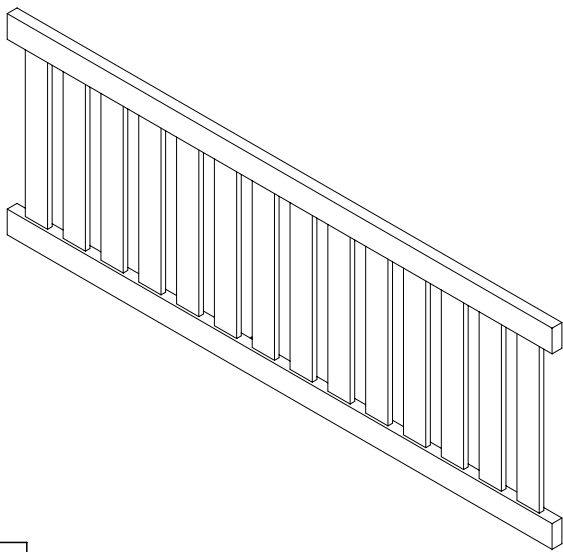
A030.060.00



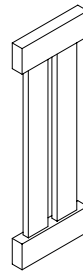
13



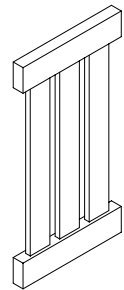
14



24



25

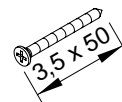


17



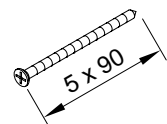
16

2x



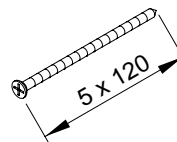
s1

8x



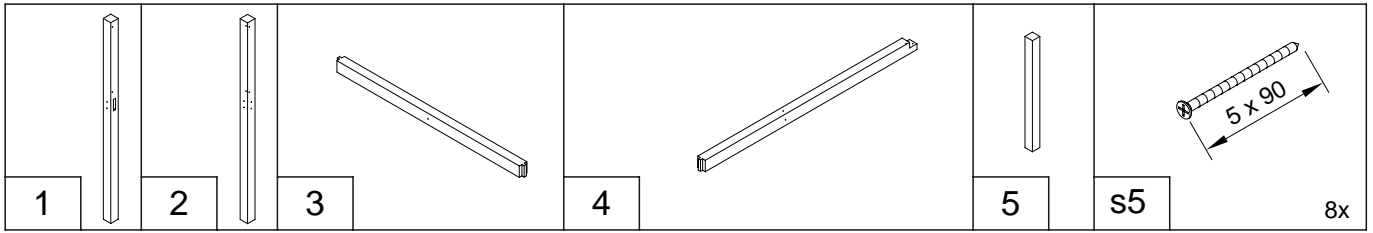
s5

6x

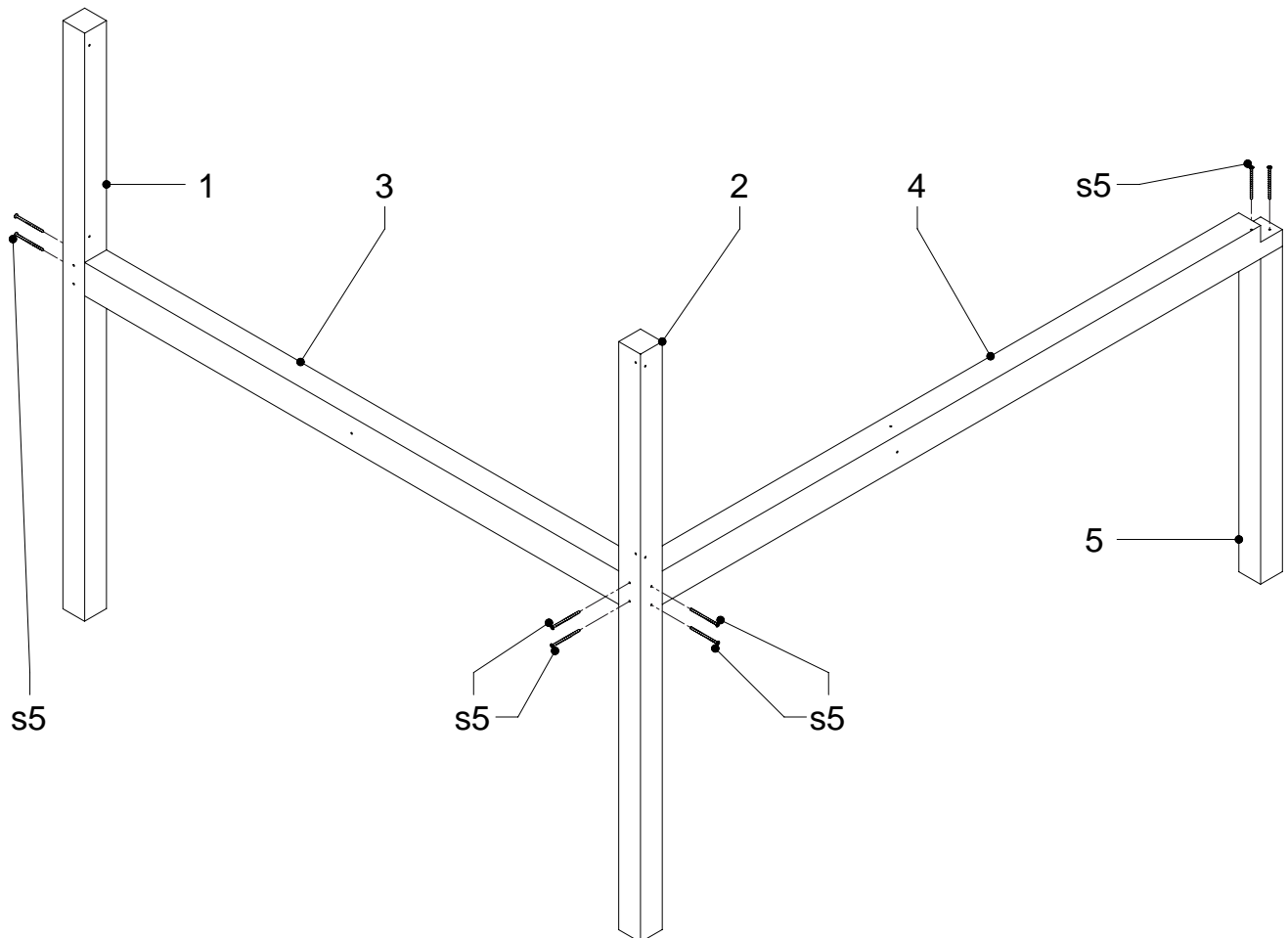


s7



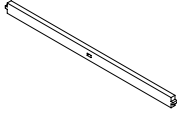
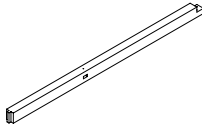
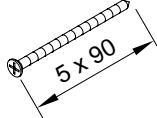
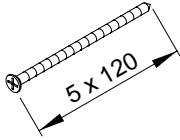
8x



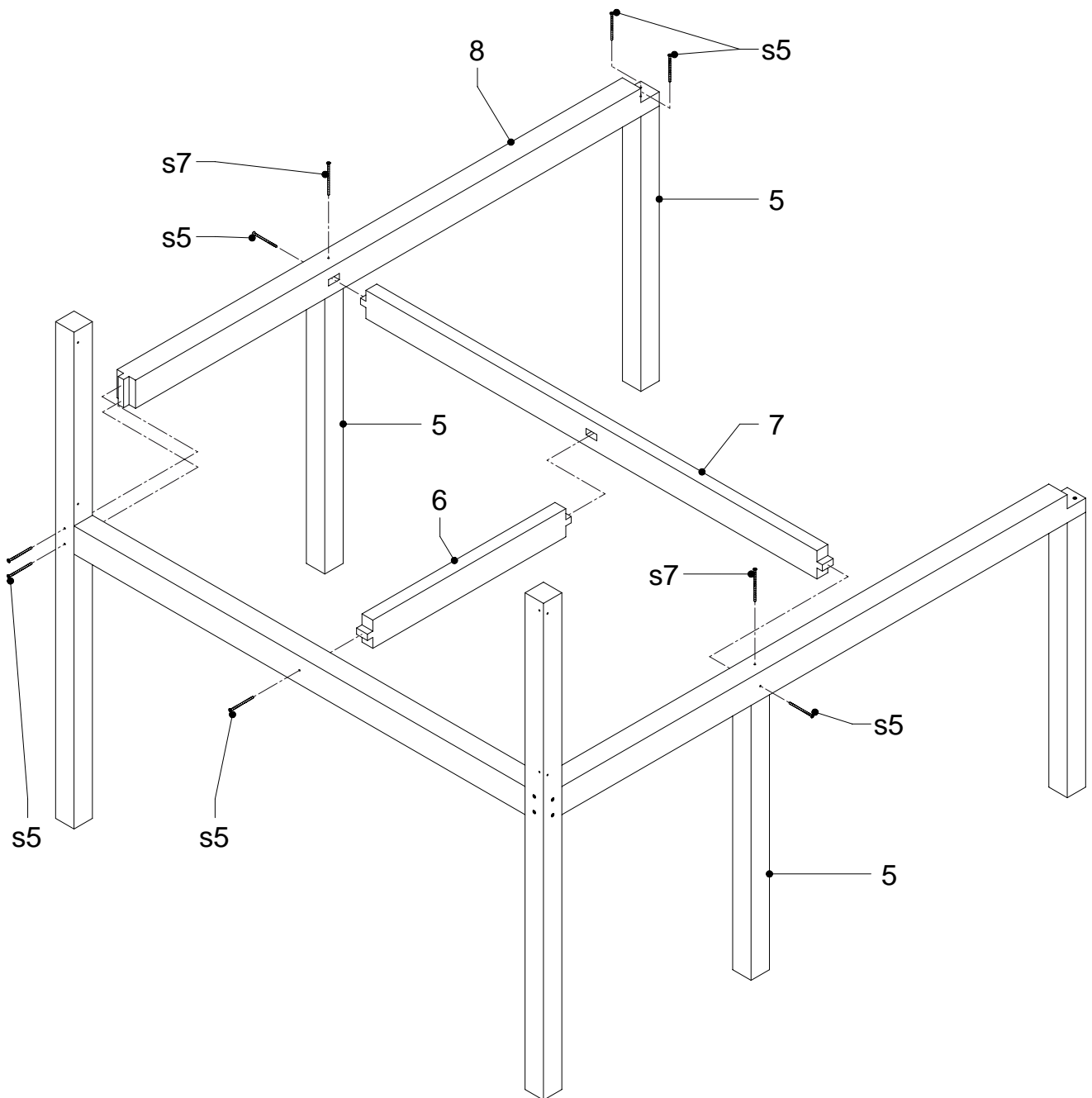
A030.062.00 + A030.064.00





								
5	3x	6	7	8	s5	7x	s7	2x

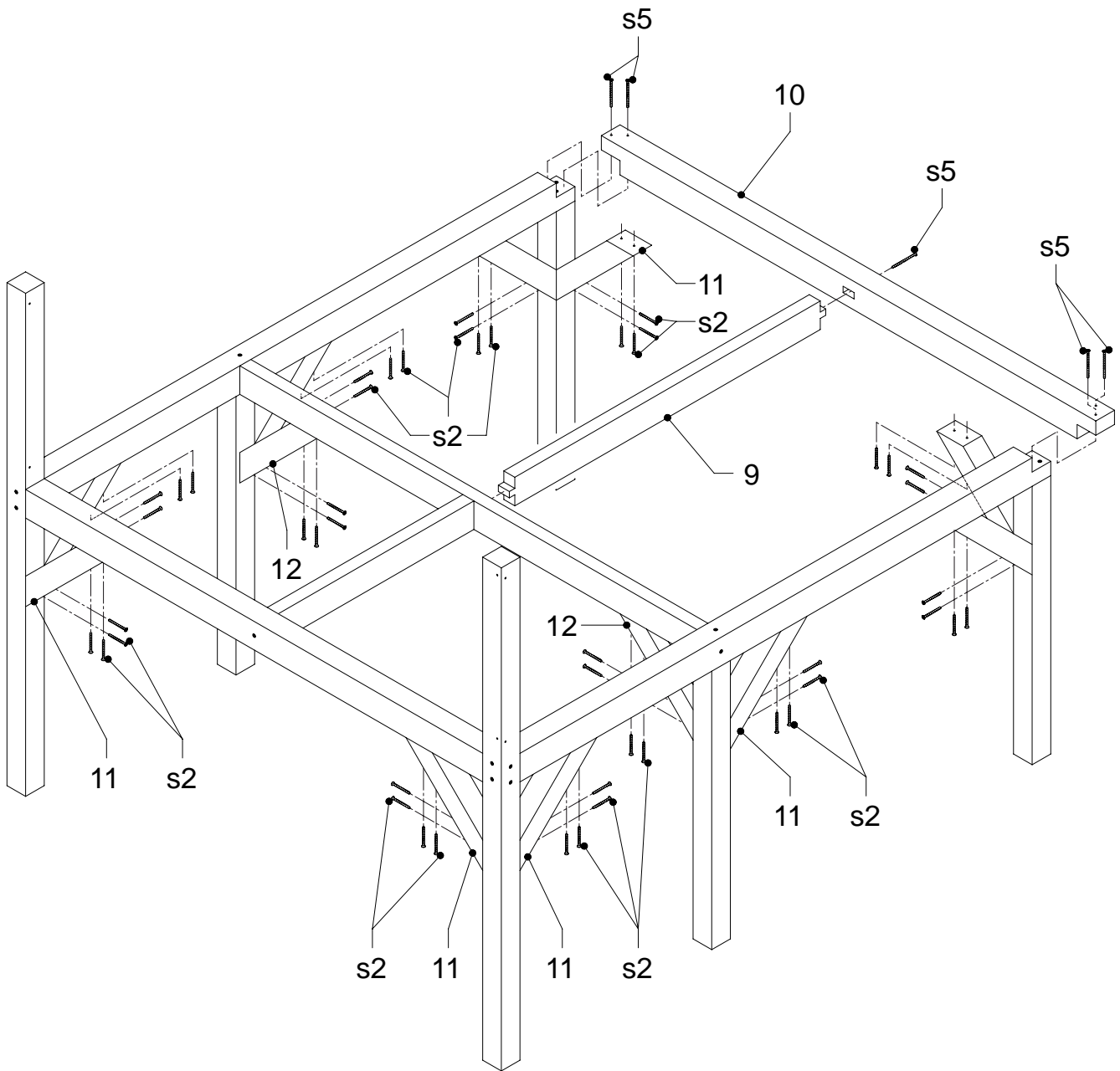
A030.062.00 + A030.064.00

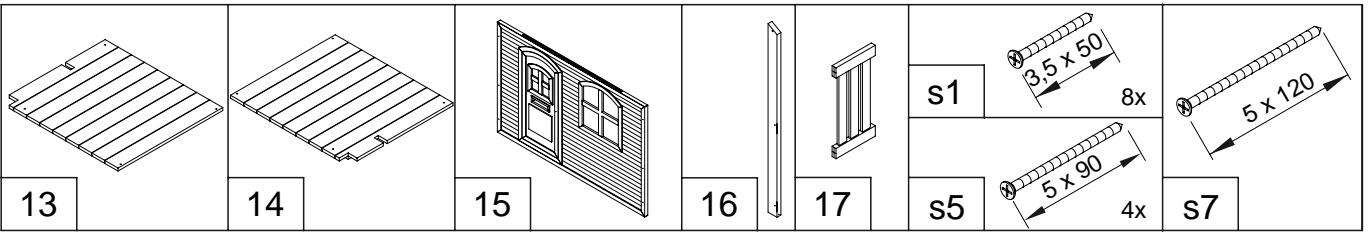




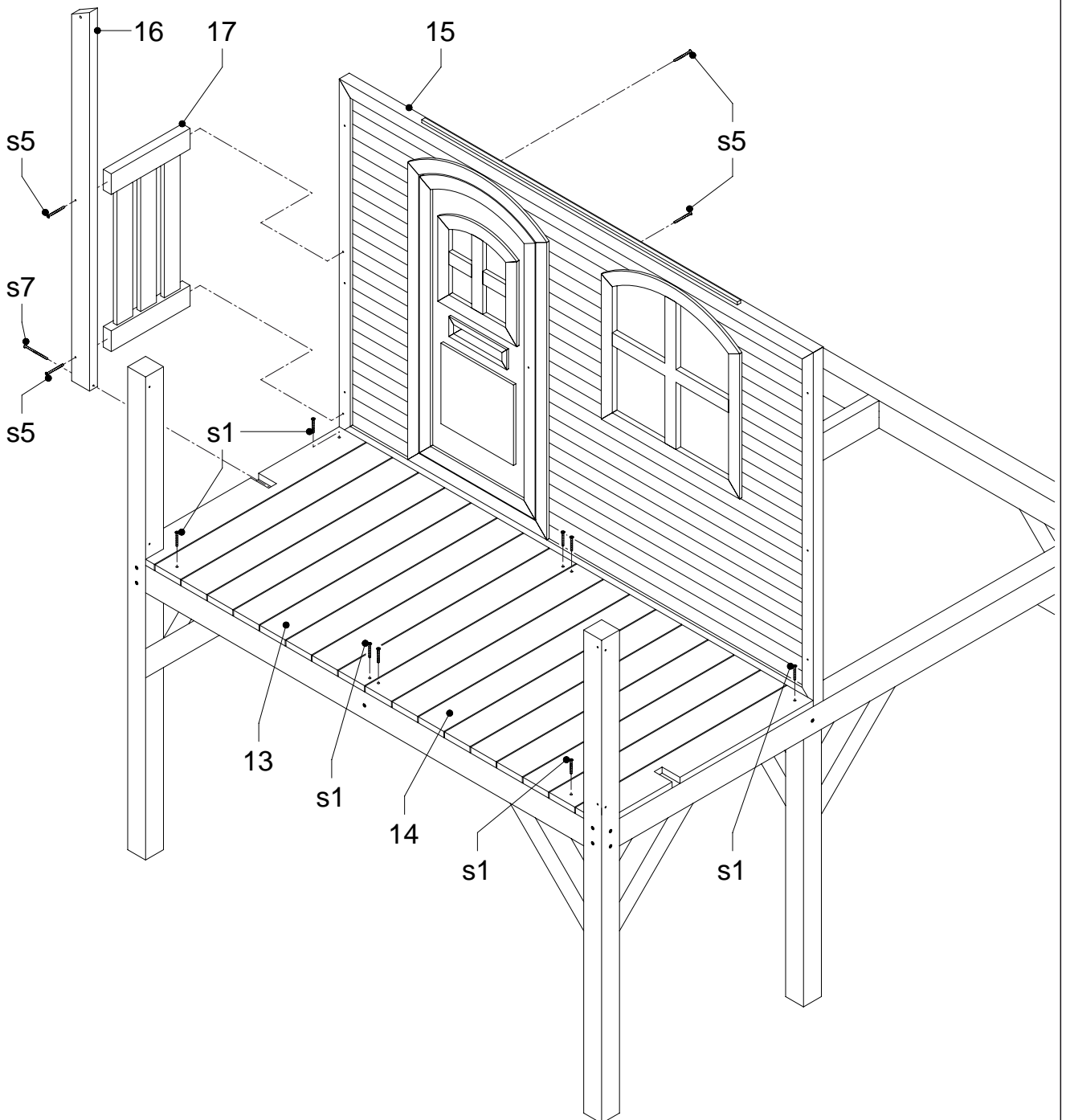
9	10	11 10x	12 2x	s2 48x	s5 5x

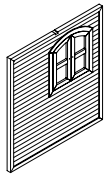
A030.062.00 + A030.064.00





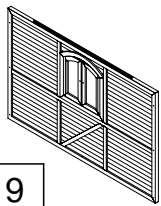
A030.057.00 + A030.060.00





18

2x



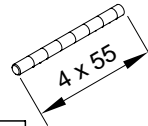
19



20

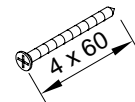
14x

t1



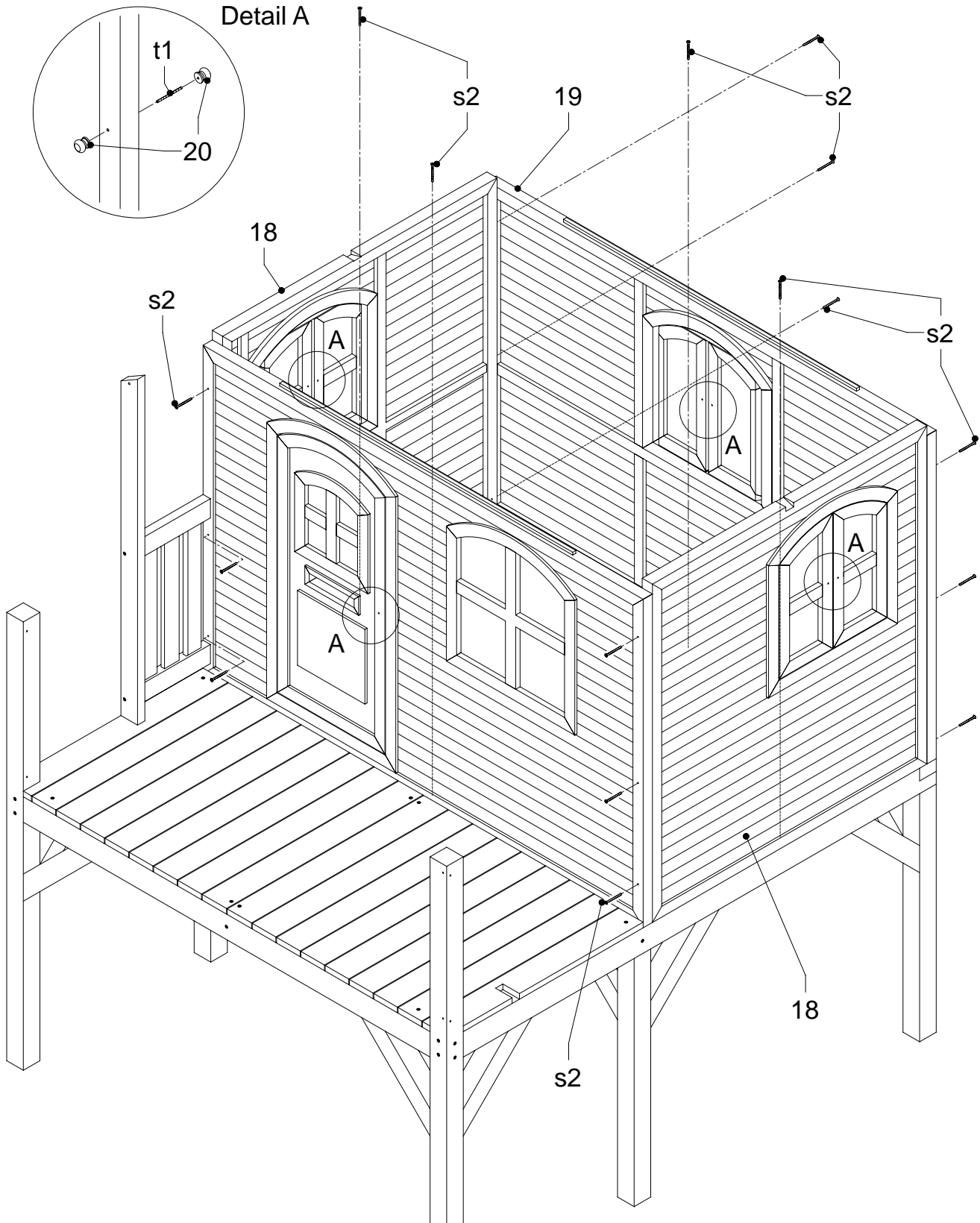
7x

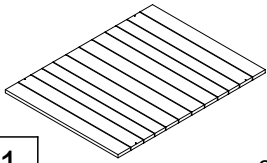
s2



16x

A030.047.00 + A030.057.00

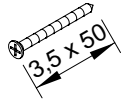




21

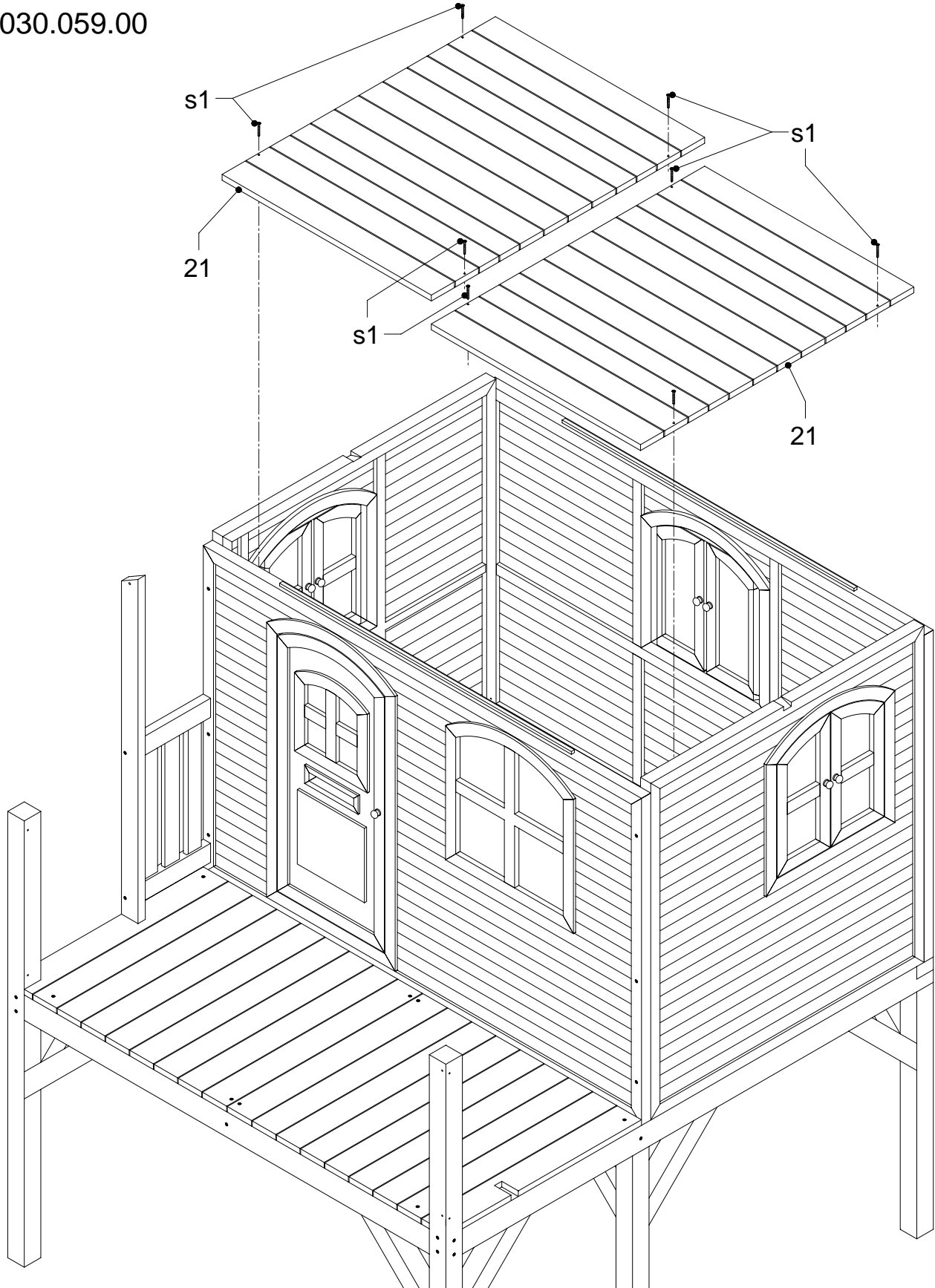
2x

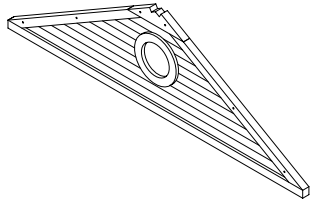
s1



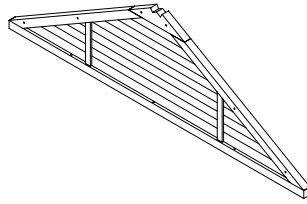
8x

A030.059.00

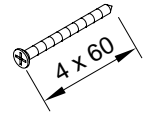




22



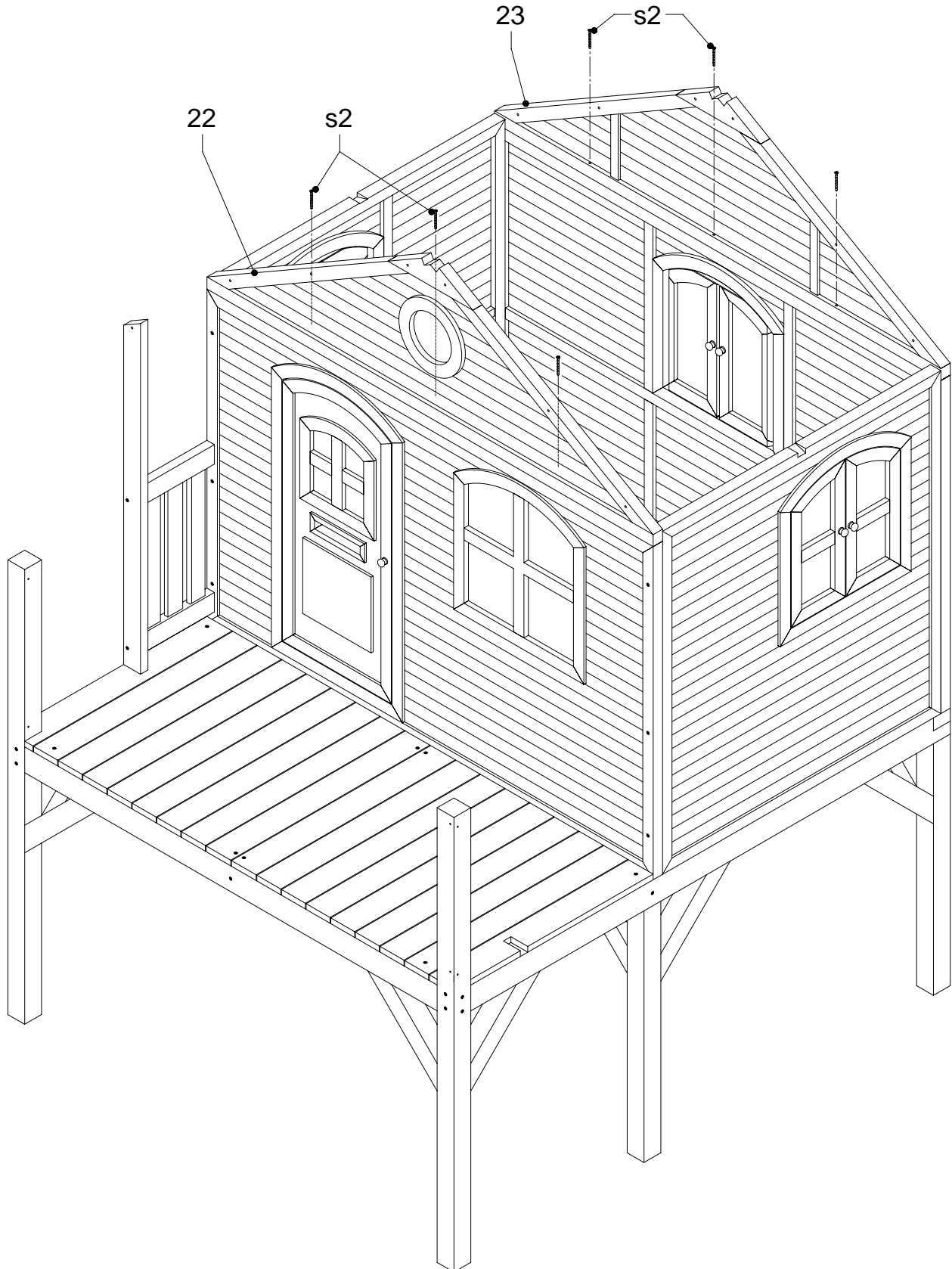
23

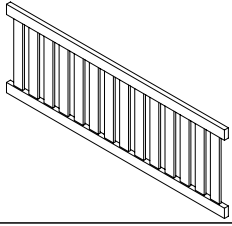


s2

6x

A030.057.00





24

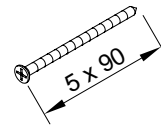


16



25

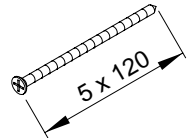
s5



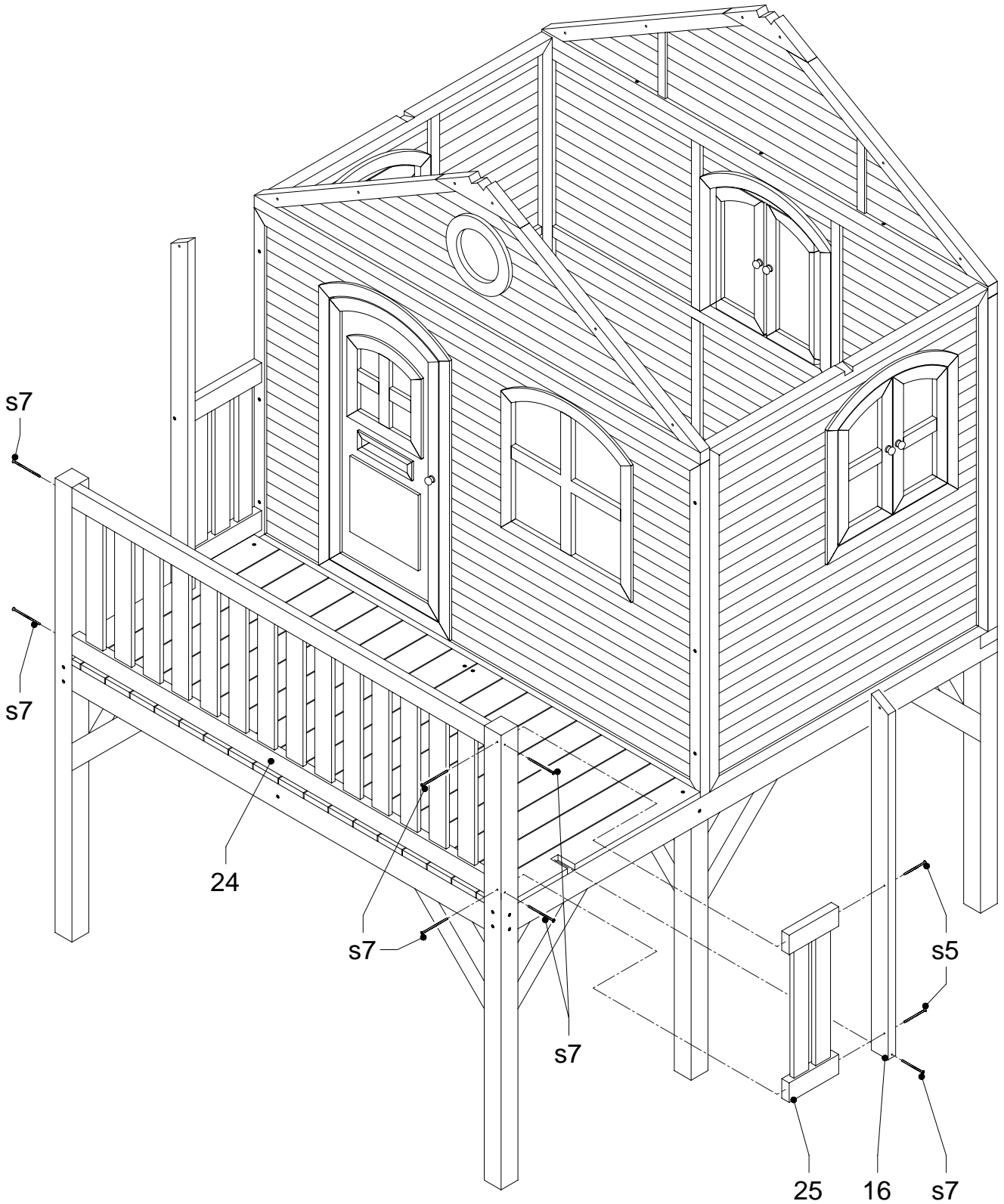
2x

s7

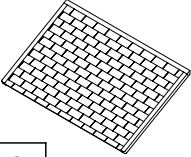
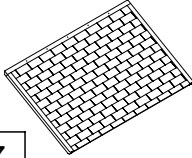

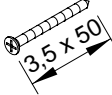
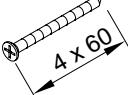
7x



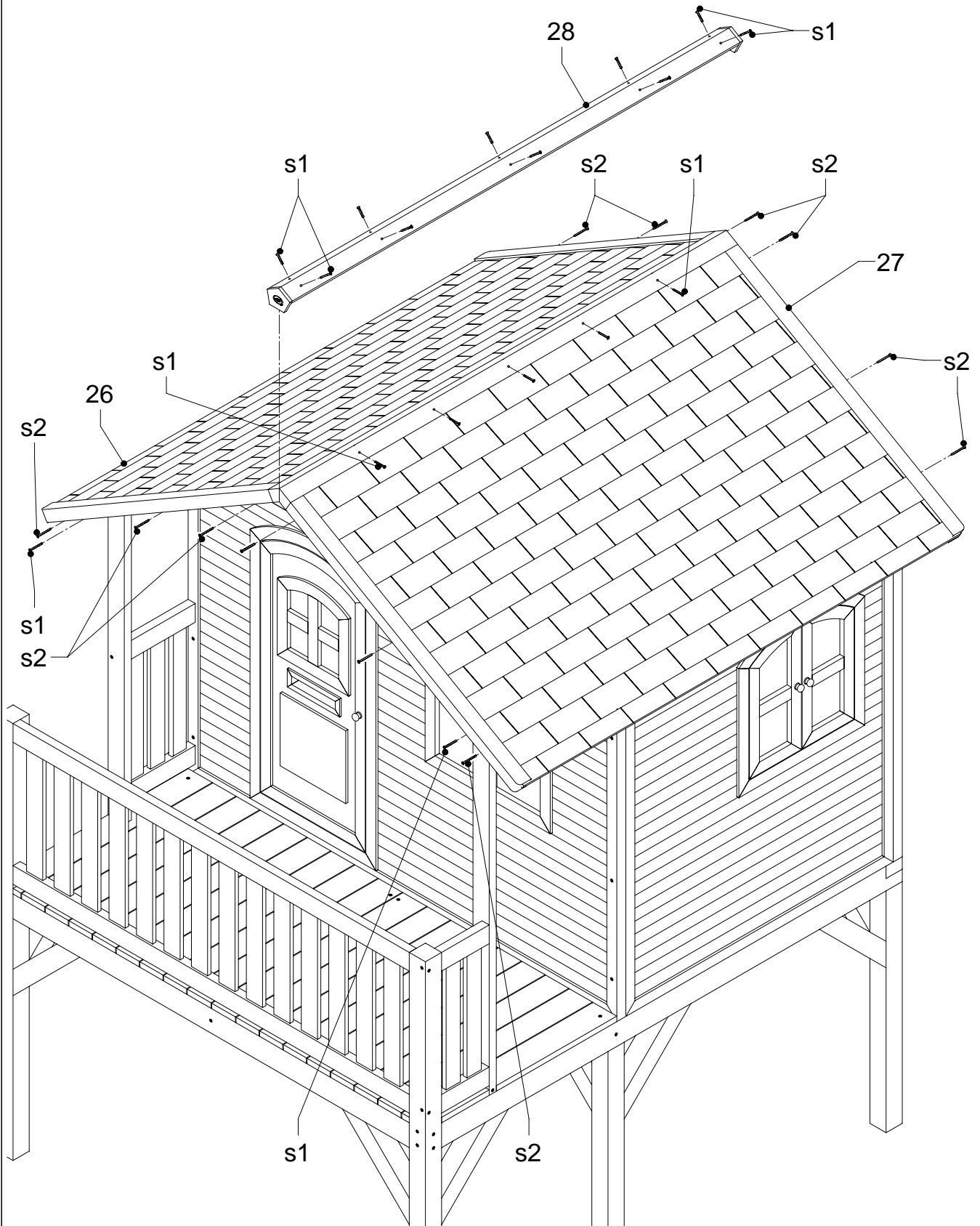
A030.060.00





						
26	27	28	s1	17x	s2	12x

A030.058.00





29	30	31 6x	32 2x	33	34	s1 28x	s2 4x	s5 4x

A030.032.00 + A030.062.00

