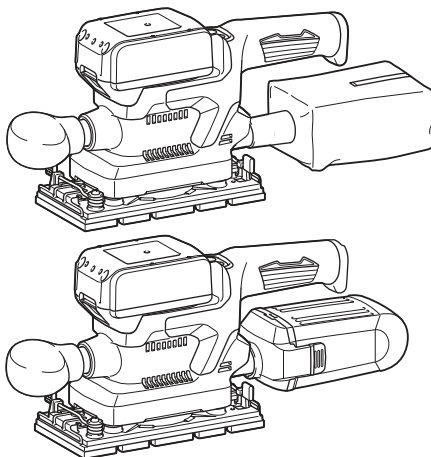




| | | | |
|----|------------------------------------|-------------------------|-----|
| EN | Cordless Finishing Sander | INSTRUCTION MANUAL | 9 |
| FR | Ponceuse vibrante Sans Fil | MANUEL D'INSTRUCTIONS | 20 |
| DE | Akku-Schwingschleifer | BETRIEBSANLEITUNG | 32 |
| IT | Levigatrice di finitura a batteria | ISTRUZIONI PER L'USO | 44 |
| NL | Accuafwerkschuurmachine | GEBRUIKSAANWIJZING | 57 |
| ES | Lijadora de Acabado Inalámbrica | MANUAL DE INSTRUCCIONES | 69 |
| PT | Lixadeira Orbital a Bateria | MANUAL DE INSTRUÇÕES | 81 |
| DA | Akku svingsliber | BRUGSANVISNING | 93 |
| EL | Φορητό παλμικό τριβείο | ΕΓΧΕΙΡΙΔΙΟ ΟΔΗΓΙΩΝ | 104 |
| TR | Akülü Titreşimli Zımpara Makinası | KULLANMA KILAVUZU | 116 |

DBO380 DBO381



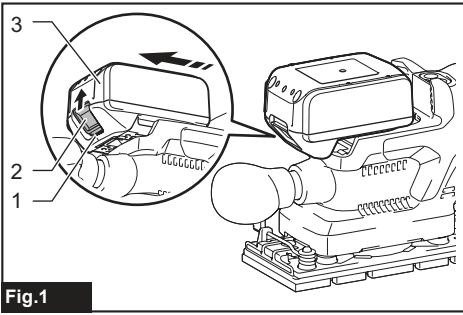


Fig.1

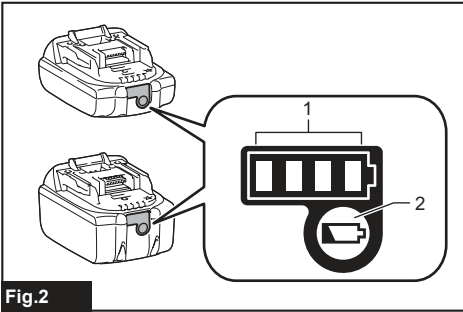


Fig.2

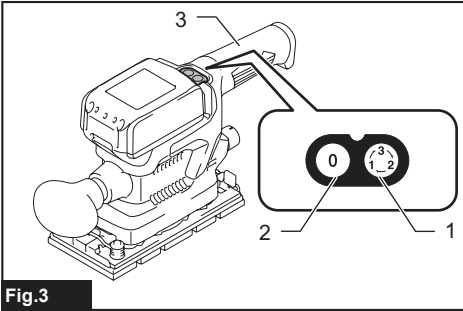


Fig.3

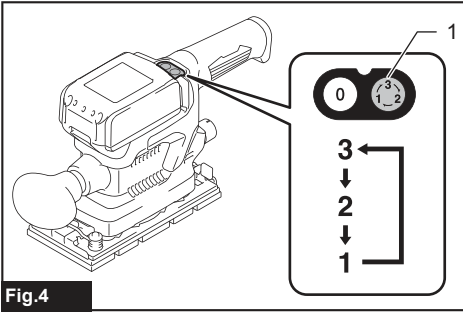


Fig.4

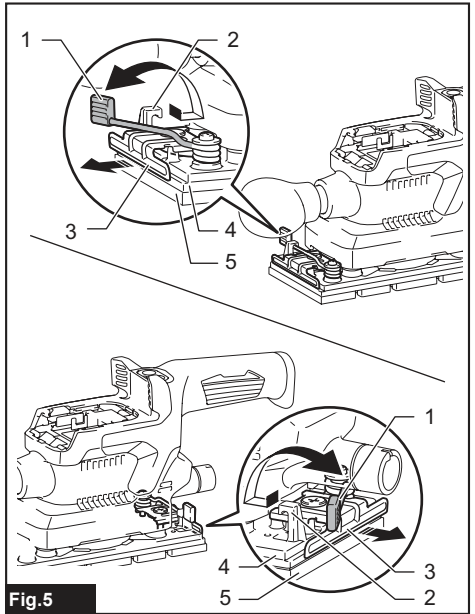


Fig.5

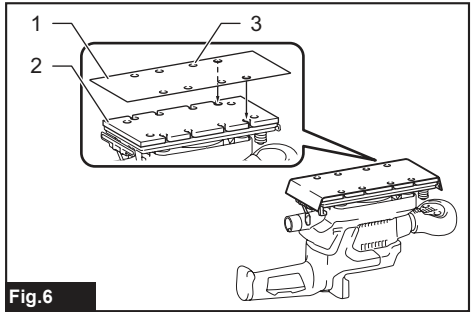


Fig.6

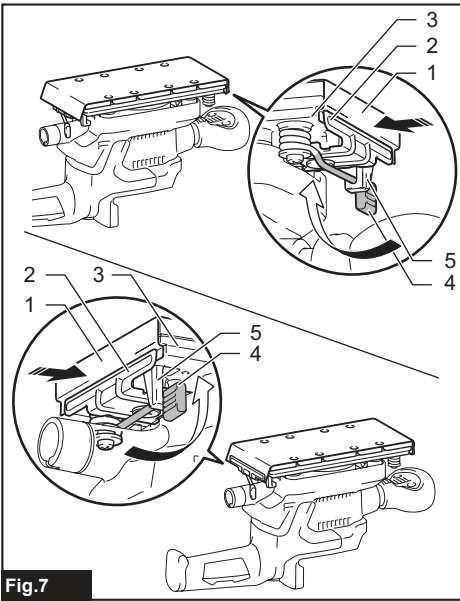


Fig.7

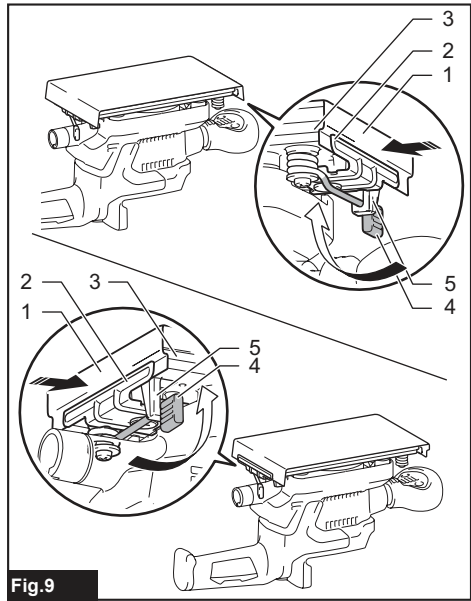


Fig.9

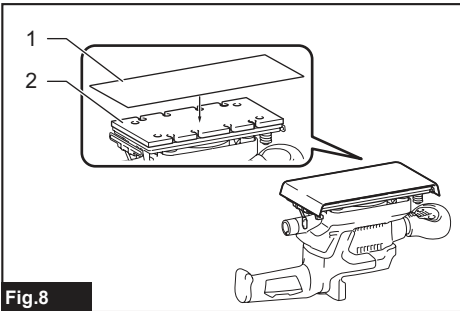


Fig.8

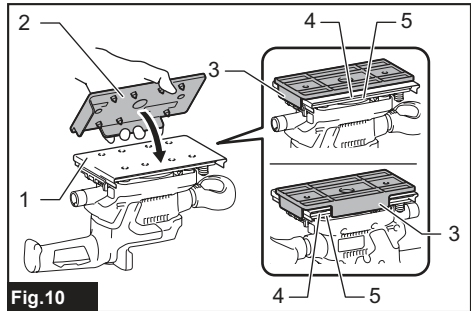


Fig.10

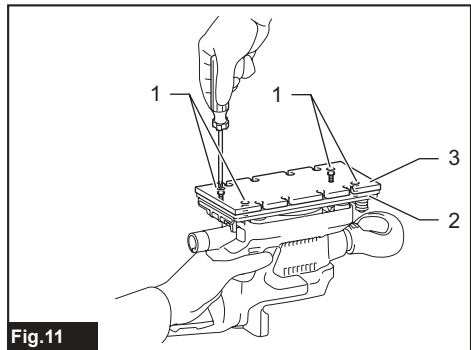
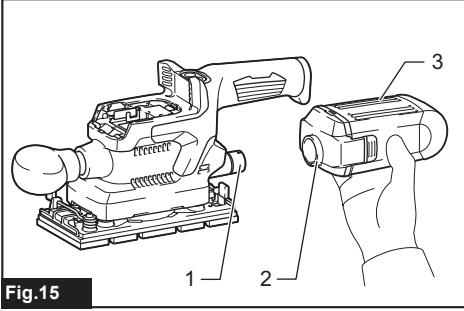
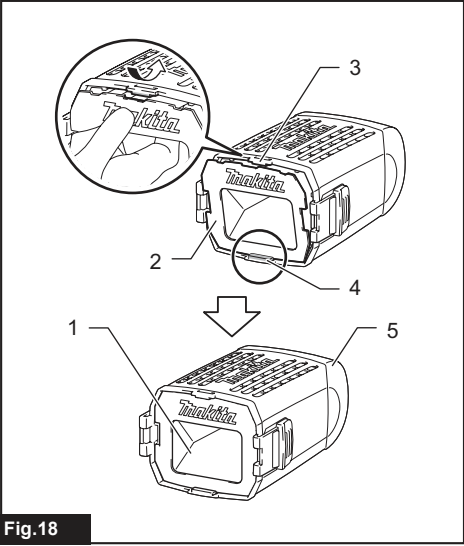
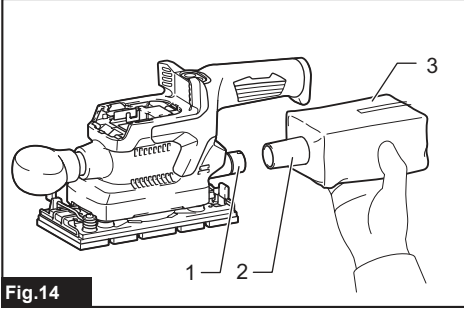
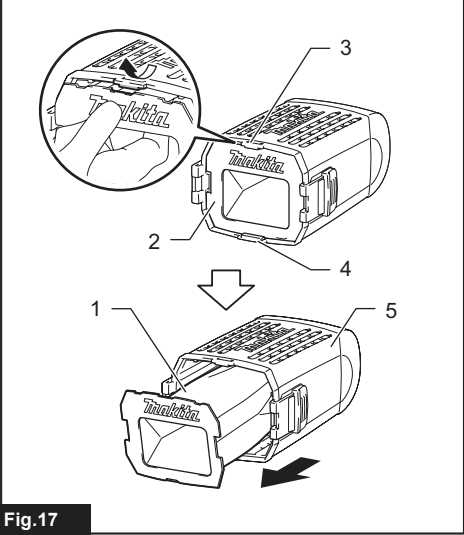
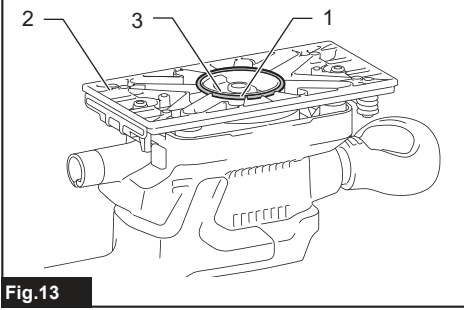
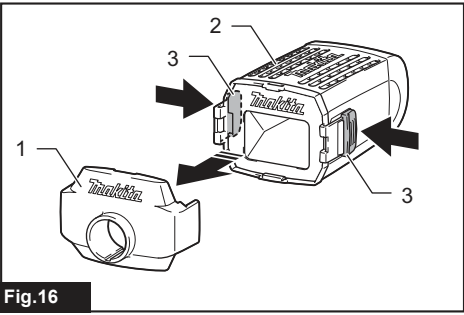
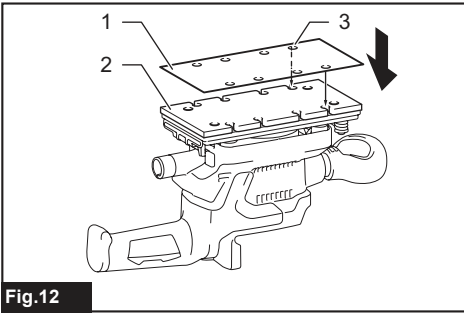


Fig.11



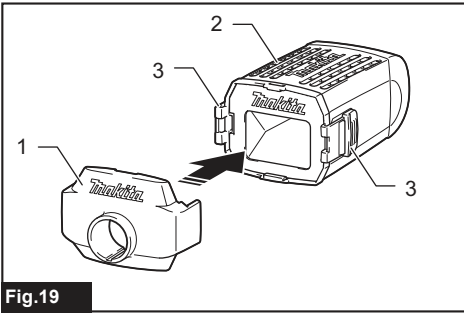


Fig.19

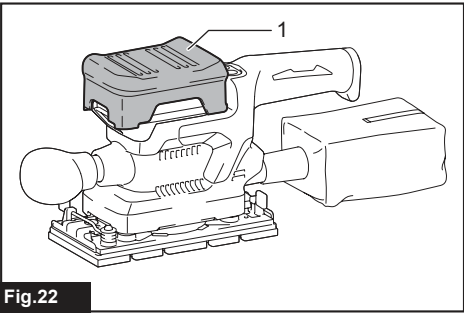


Fig.22

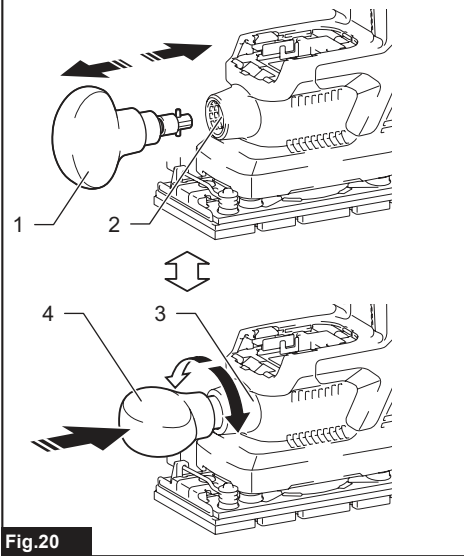


Fig.20

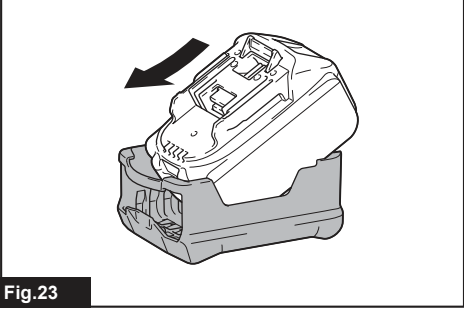


Fig.23

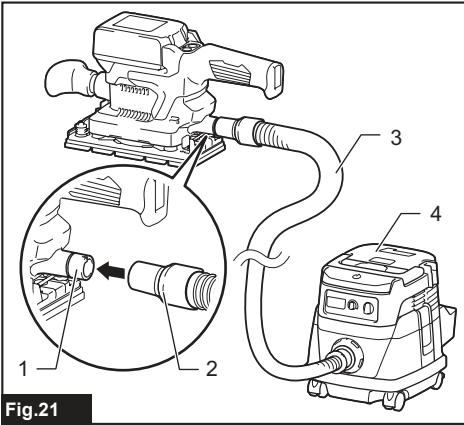


Fig.21

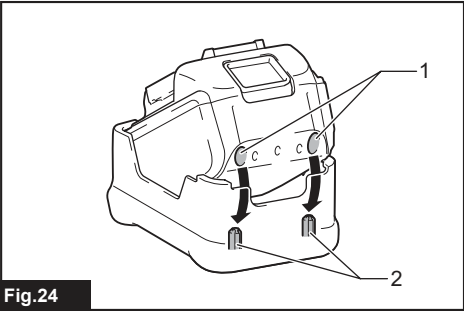
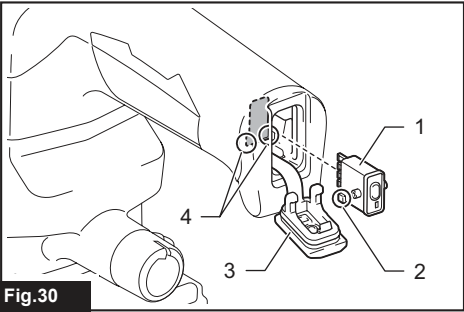
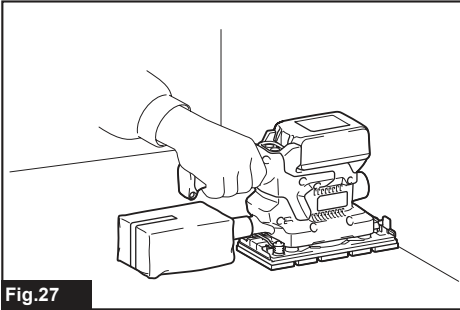
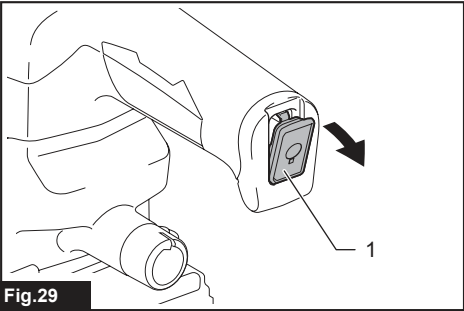
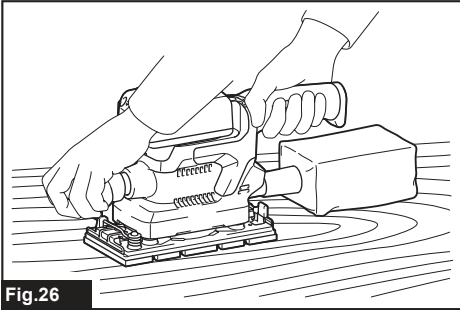
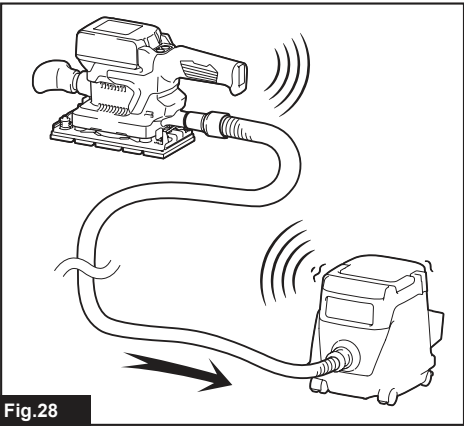
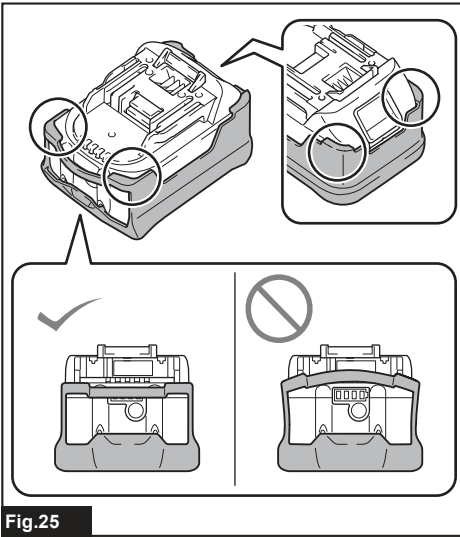


Fig.24



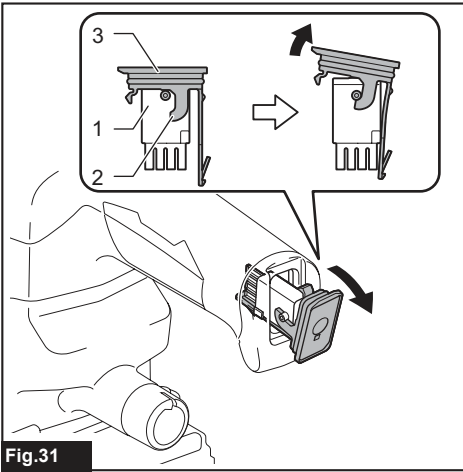


Fig.31

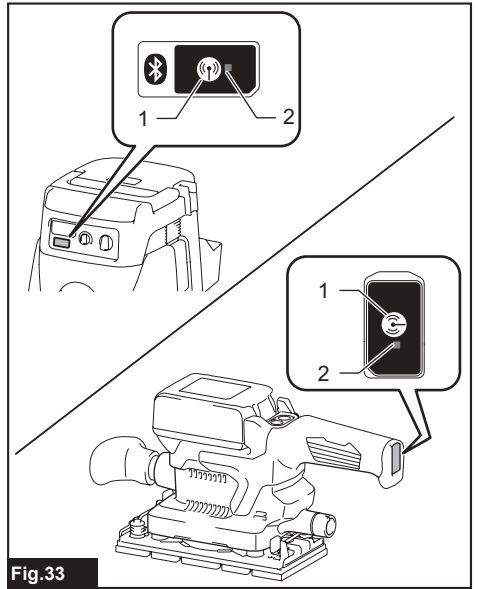


Fig.33

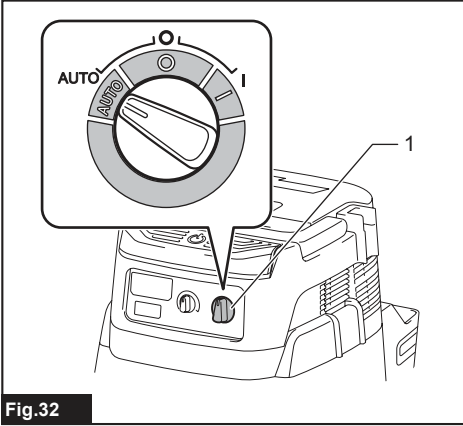


Fig.32

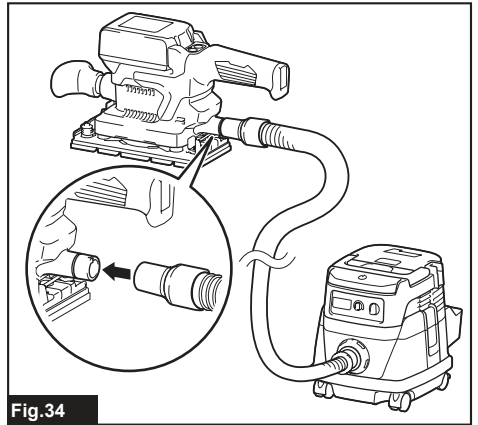


Fig.34

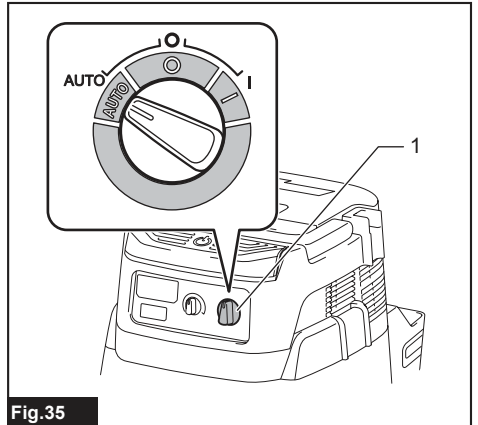


Fig.35

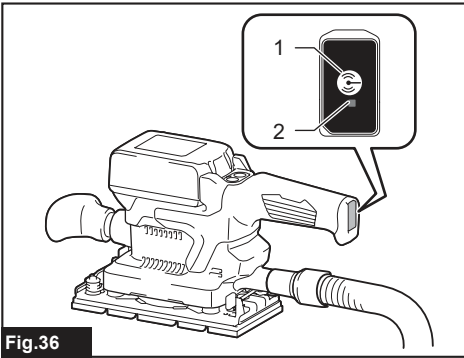


Fig. 36

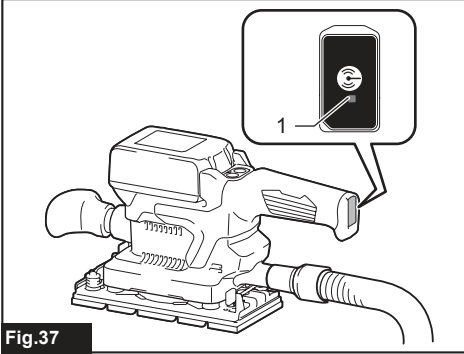


Fig. 37

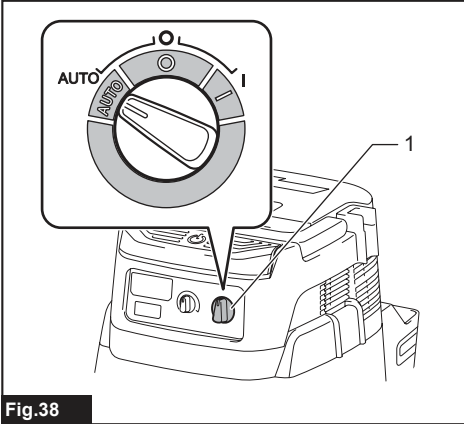


Fig. 38

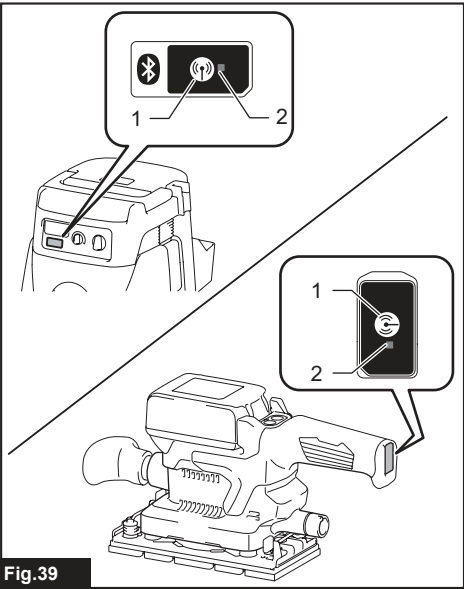


Fig. 39

SPECIFICATIONS

| Model: | | DBO380 | DBO381 |
|----------------------------------|--------|--------------------------|--------|
| Pad size | | 93 mm x 185 mm | |
| Abrasive paper size | | 93 mm x 228 mm | |
| Orbits per minute | High | 12,000 min ⁻¹ | |
| | Medium | 8,000 min ⁻¹ | |
| | Low | 4,000 min ⁻¹ | |
| Overall length (with front grip) | | 336 mm | |
| Rated voltage | | D.C. 18 V | |
| Net weight | | 1.9 - 2.2 kg | |

- Due to our continuing program of research and development, the specifications herein are subject to change without notice.
- Specifications and battery cartridge may differ from country to country.
- The weight may differ depending on the attachment(s), including the battery cartridge. The lightest and heaviest combinations, according to EPTA-Procedure 01/2014, are shown in the table.

Applicable battery cartridge and charger

| | |
|-------------------|---|
| Battery cartridge | BL1815N / BL1820B / BL1830B / BL1840B / BL1850B / BL1860B |
| Charger | DC18RC / DC18RD / DC18RE / DC18SD / DC18SE / DC18SF / DC18SH / DC18WC |

- Some of the battery cartridges and chargers listed above may not be available depending on your region of residence.

⚠ WARNING: Only use the battery cartridges and chargers listed above. Use of any other battery cartridges and chargers may cause injury and/or fire.

Intended use

The tool is intended for the sanding of large surface of wood, plastic and metal materials as well as painted surfaces.

Noise

The typical A-weighted noise level determined according to EN62841-2-4:

Model DBO380

Sound pressure level (L_{pA}) : 72 dB(A)
 Uncertainty (K) : 3 dB(A)

Model DBO381

Sound pressure level (L_{pA}) : 72 dB(A)
 Uncertainty (K) : 3 dB(A)

The noise level under working may exceed 80 dB (A).

NOTE: The declared noise emission value(s) has been measured in accordance with a standard test method and may be used for comparing one tool with another.

NOTE: The declared noise emission value(s) may also be used in a preliminary assessment of exposure.

⚠ WARNING: Wear ear protection.

⚠ WARNING: The noise emission during actual use of the power tool can differ from the declared value(s) depending on the ways in which the tool is used especially what kind of workpiece is processed.

⚠ WARNING: Be sure to identify safety measures to protect the operator that are based on an estimation of exposure in the actual conditions of use (taking account of all parts of the operating cycle such as the times when the tool is switched off and when it is running idle in addition to the trigger time).

Vibration

The vibration total value (tri-axial vector sum) determined according to EN62841-2-4:

Model DBO380

Work mode: sanding metal plate
 Vibration emission (a_h) : 3.6 m/s²
 Uncertainty (K) : 1.5 m/s²

Model DBO381

Work mode: sanding metal plate
 Vibration emission (a_h) : 3.6 m/s²
 Uncertainty (K) : 1.5 m/s²

NOTE: The declared vibration total value(s) has been measured in accordance with a standard test method and may be used for comparing one tool with another.

NOTE: The declared vibration total value(s) may also be used in a preliminary assessment of exposure.

⚠WARNING: The vibration emission during actual use of the power tool can differ from the declared value(s) depending on the ways in which the tool is used especially what kind of workpiece is processed.

⚠WARNING: Be sure to identify safety measures to protect the operator that are based on an estimation of exposure in the actual conditions of use (taking account of all parts of the operating cycle such as the times when the tool is switched off and when it is running idle in addition to the trigger time).

EC Declaration of Conformity

For European countries only

The EC declaration of conformity is included as Annex A to this instruction manual.

SAFETY WARNINGS

General power tool safety warnings

⚠WARNING: Read all safety warnings, instructions, illustrations and specifications provided with this power tool. Failure to follow all instructions listed below may result in electric shock, fire and/or serious injury.

Save all warnings and instructions for future reference.

The term "power tool" in the warnings refers to your mains-operated (corded) power tool or battery-operated (cordless) power tool.

Sander safety warnings

1. Always use safety glasses or goggles. Ordinary eye or sun glasses are NOT safety glasses.
2. Hold the tool firmly.
3. Do not leave the tool running. Operate the tool only when hand-held.
4. This tool has not been waterproofed, so do not use water on the workpiece surface.
5. Ventilate your work area adequately when you perform sanding operations.
6. Some material contains chemicals which may be toxic. Take caution to prevent dust inhalation and skin contact. Follow material supplier safety data.
7. Use of this tool to sand some products, paints and wood could expose user to dust containing hazardous substances. Use appropriate respiratory protection.

8. Be sure that there are no cracks or breakage on the pad before use. Cracks or breakage may cause a personal injury.
9. Watch your footing and maintain your balance with the tool. Make sure there is no one below when working in high locations.

SAVE THESE INSTRUCTIONS.

⚠WARNING: DO NOT let comfort or familiarity with product (gained from repeated use) replace strict adherence to safety rules for the subject product. MISUSE or failure to follow the safety rules stated in this instruction manual may cause serious personal injury.

Important safety instructions for battery cartridge

1. Before using battery cartridge, read all instructions and cautionary markings on (1) battery charger, (2) battery, and (3) product using battery.
2. Do not disassemble or tamper with the battery cartridge. It may result in a fire, excessive heat, or explosion.
3. If operating time has become excessively shorter, stop operating immediately. It may result in a risk of overheating, possible burns and even an explosion.
4. If electrolyte gets into your eyes, rinse them out with clear water and seek medical attention right away. It may result in loss of your eyesight.
5. Do not short the battery cartridge:
 - (1) Do not touch the terminals with any conductive material.
 - (2) Avoid storing battery cartridge in a container with other metal objects such as nails, coins, etc.
 - (3) Do not expose battery cartridge to water or rain.

A battery short can cause a large current flow, overheating, possible burns and even a breakdown.

6. Do not store and use the tool and battery cartridge in locations where the temperature may reach or exceed 50 °C (122 °F).
7. Do not incinerate the battery cartridge even if it is severely damaged or is completely worn out. The battery cartridge can explode in a fire.
8. Do not nail, cut, crush, throw, drop the battery cartridge, or hit against a hard object to the battery cartridge. Such conduct may result in a fire, excessive heat, or explosion.
9. Do not use a damaged battery.
10. The contained lithium-ion batteries are subject to the Dangerous Goods Legislation requirements. For commercial transports e.g. by third parties, forwarding agents, special requirement on packaging and labeling must be observed. For preparation of the item being shipped, consulting an expert for hazardous material is required. Please also observe possibly more detailed national regulations. Tape or mask off open contacts and pack up the battery in such a manner that it cannot move around in the packaging.

11. When disposing the battery cartridge, remove it from the tool and dispose of it in a safe place. Follow your local regulations relating to disposal of battery.
12. Use the batteries only with the products specified by Makita. Installing the batteries to non-compliant products may result in a fire, excessive heat, explosion, or leak of electrolyte.
13. If the tool is not used for a long period of time, the battery must be removed from the tool.
14. During and after use, the battery cartridge may take on heat which can cause burns or low temperature burns. Pay attention to the handling of hot battery cartridges.
15. Do not touch the terminal of the tool immediately after use as it may get hot enough to cause burns.
16. Do not allow chips, dust, or soil stuck into the terminals, holes, and grooves of the battery cartridge. It may cause heating, catching fire, burst and malfunction of the tool or battery cartridge, resulting in burns or personal injury.
17. Unless the tool supports the use near high-voltage electrical power lines, do not use the battery cartridge near high-voltage electrical power lines. It may result in a malfunction or breakdown of the tool or battery cartridge.
18. Keep the battery away from children.
6. Do not operate the wireless unit in places where medical instruments, such as heart pace makers are nearby.
7. Do not operate the wireless unit in places where automated devices are nearby. If operated, automated devices may develop malfunction or error.
8. Do not operate the wireless unit in places under high temperature or places where static electricity or electrical noise could be generated.
9. The wireless unit can produce electromagnetic fields (EMF) but they are not harmful to the user.
10. The wireless unit is an accurate instrument. Be careful not to drop or strike the wireless unit.
11. Avoid touching the terminal of the wireless unit with bare hands or metallic materials.
12. Always remove the battery on the product when installing the wireless unit into it.
13. When opening the lid of the slot, avoid the place where dust and water may come into the slot. Always keep the inlet of the slot clean.
14. Always insert the wireless unit in the correct direction.
15. Do not press the wireless activation button on the wireless unit too hard and/or press the button with an object with a sharp edge.
16. Always close the lid of the slot when operating.
17. Do not remove the wireless unit from the slot while the power is being supplied to the tool. Doing so may cause a malfunction of the wireless unit.
18. Do not remove the sticker on the wireless unit.
19. Do not put any sticker on the wireless unit.
20. Do not leave the wireless unit in a place where static electricity or electrical noise could be generated.
21. Do not leave the wireless unit in a place subject to high heat, such as a car sitting in the sun.
22. Do not leave the wireless unit in a dusty or powdery place or in a place corrosive gas could be generated.
23. Sudden change of the temperature may bedew the wireless unit. Do not use the wireless unit until the dew is completely dried.
24. When cleaning the wireless unit, gently wipe with a dry soft cloth. Do not use benzine, thinner, conductive grease or the like.
25. When storing the wireless unit, keep it in the supplied case or a static-free container.
26. Do not insert any devices other than Makita wireless unit into the slot on the tool.
27. Do not use the tool with the lid of the slot damaged. Water, dust, and dirt come into the slot may cause malfunction.
28. Do not pull and/or twist the lid of the slot more than necessary. Restore the lid if it comes off from the tool.
29. Replace the lid of the slot if it is lost or damaged.

SAVE THESE INSTRUCTIONS.

⚠ CAUTION: Only use genuine Makita batteries. Use of non-genuine Makita batteries, or batteries that have been altered, may result in the battery bursting causing fires, personal injury and damage. It will also void the Makita warranty for the Makita tool and charger.

Tips for maintaining maximum battery life

1. Charge the battery cartridge before completely discharged. Always stop tool operation and charge the battery cartridge when you notice less tool power.
2. Never recharge a fully charged battery cartridge. Overcharging shortens the battery service life.
3. Charge the battery cartridge with room temperature at 10 °C - 40 °C (50 °F - 104 °F). Let a hot battery cartridge cool down before charging it.
4. When not using the battery cartridge, remove it from the tool or the charger.
5. Charge the battery cartridge if you do not use it for a long period (more than six months).

Important safety instructions for wireless unit

1. Do not disassemble or tamper with the wireless unit.
2. Keep the wireless unit away from young children. If accidentally swallowed, seek medical attention immediately.
3. Use the wireless unit only with Makita tools.
4. Do not expose the wireless unit to rain or wet conditions.
5. Do not use the wireless unit in places where the temperature exceeds 50 °C (122 °F).

SAVE THESE INSTRUCTIONS.

FUNCTIONAL DESCRIPTION

CAUTION: Always be sure that the tool is switched off and the battery cartridge is removed before adjusting or checking function on the tool.

Installing or removing battery cartridge

CAUTION: Always switch off the tool before installing or removing of the battery cartridge.

CAUTION: Hold the tool and the battery cartridge firmly when installing or removing battery cartridge. Failure to hold the tool and the battery cartridge firmly may cause them to slip off your hands and result in damage to the tool and battery cartridge and a personal injury.

► **Fig.1:** 1. Red indicator 2. Button 3. Battery cartridge

To remove the battery cartridge, slide it from the tool while sliding the button on the front of the cartridge.

To install the battery cartridge, align the tongue on the battery cartridge with the groove in the housing and slip it into place. Insert it all the way until it locks in place with a little click. If you can see the red indicator as shown in the figure, it is not locked completely.

CAUTION: Always install the battery cartridge fully until the red indicator cannot be seen. If not, it may accidentally fall out of the tool, causing injury to you or someone around you.

CAUTION: Do not install the battery cartridge forcibly. If the cartridge does not slide in easily, it is not being inserted correctly.

Indicating the remaining battery capacity

Only for battery cartridges with the indicator

► **Fig.2:** 1. Indicator lamps 2. Check button

Press the check button on the battery cartridge to indicate the remaining battery capacity. The indicator lamps light up for a few seconds.

| Indicator lamps | | | Remaining capacity |
|-----------------|-------|----------|-------------------------------------|
| Lighted | Off | Blinking | |
| ■ | □ | ▧ | 75% to 100% |
| ■ ■ ■ ■ | | | |
| ■ ■ ■ | □ | | 50% to 75% |
| ■ ■ | □ □ | | 25% to 50% |
| ■ | □ □ □ | | 0% to 25% |
| ▧ | □ □ □ | | Charge the battery. |
| ■ ■ □ □ | | | The battery may have malfunctioned. |
| □ □ ■ ■ | | | |

NOTE: Depending on the conditions of use and the ambient temperature, the indication may differ slightly from the actual capacity.

NOTE: The first (far left) indicator lamp will blink when the battery protection system works.

Tool / battery protection system

The tool is equipped with a tool/battery protection system. This system automatically cuts off power to the motor to extend tool and battery life. The tool will automatically stop during operation if the tool or battery is placed under one of the following conditions:

Overload protection

When the tool or battery is operated in a manner that causes it to draw an abnormally high current, the tool automatically stops without any indication. In this situation, turn the tool off and stop the application that caused the tool to become overloaded. Then turn the tool on to restart.

Overheat protection

When the tool or battery is overheated, the tool stops automatically. In this case, let the tool and battery cool before turning the tool on again.

Overdischarge protection

When the battery capacity is not enough, the tool stops automatically. In this case, remove the battery from the tool and charge the battery.

Switch action

CAUTION: Avoid turning the tool on while it is placed on the workpiece or on your workbench. It may cause personal injury or damage.

Turning the tool on and off

Press the power/speed select button on the top of the main handle to start the tool. The tool starts to run at its highest orbital speed.

Press the stop button to pause or cease operation.

► **Fig.3:** 1. Power/speed select button 2. Stop button 3. Main handle

Changing the tool speed

The orbital speed can be changed in three modes, that is, high, medium and low depending on the application and workload.

Press the power/speed select button to switch speed mode.

► **Fig.4:** 1. Power/speed select button

Speed settings table

| Speed level | Orbital per minute |
|-------------|---------------------------------|
| 3 (High) | 12,000 min ⁻¹ (/min) |
| 2 (Medium) | 8,000 min ⁻¹ (/min) |
| 1 (Low) | 4,000 min ⁻¹ (/min) |

NOTICE: If the tool is operated continuously at low speeds for a long time, the motor will get overloaded, resulting in tool malfunction.

NOTICE: Select an appropriate speed range for your sanding operations to avoid overheating and melting the workpiece. Sanding at high orbital speed may heat workpiece and melt it at the point of contact.

Electronic function

The tool is equipped with the electronic function for easy operation.

Constant speed control

This function serves a constant orbital speed to obtain fine finish.

ASSEMBLY

CAUTION: Always be sure that the tool is switched off and the battery cartridge is removed before carrying out any work on the tool.

Installing and removing abrasive paper

CAUTION: Always make sure that a sheet of abrasive paper is installed securely before use. The paper may otherwise be loosened, removed easily and subject to slippage, resulting in uneven sanding operation.

Using abrasive paper supplied with tool

1. Push and hold down the clamp lever on either front or rear end of the pad, and slide it away from the stopper so the clamp is released from its fastened position.
2. Pull the clamp lever outwards as far as possible to create a space between the clamp and side wall of the sanding base in which one end of abrasive paper can be inserted.
► **Fig.5:** 1. Clamp lever 2. Stopper 3. Clamp 4. Sanding base 5. Pad
3. Place a sheet of abrasive paper over the pad, aligning the dust-suction holes in the paper with those in the pad.
► **Fig.6:** 1. Abrasive paper 2. Pad 3. Dust-suction hole
4. Slip one end of the abrasive paper into the space between the clamp and sanding base.
5. Set the clamp lever back in a locked position so the end of abrasive paper is clamped securely.
6. Release the clamp on the other end, and have the other end of abrasive paper ready to be clamped.

7. Maintain a proper tension on abrasive paper, and then set the clamp lever on the other end in a locked position.

► **Fig.7:** 1. Abrasive paper 2. Clamp 3. Sanding base 4. Clamp lever 5. Stopper

8. To remove the abrasive paper, release the clamps on both ends and take the paper off the pad.

Using abrasive paper available in the market

1. Cut a sheet of abrasive paper down to an appropriate size.
► **Fig.8:** 1. Abrasive paper 2. Pad
2. Push and hold down the clamp lever on either front or rear end of the pad, and slide it away from the stopper so the clamp is released from its fastened position.
3. Pull the clamp lever outwards as far as possible to create a space between the clamp and side wall of the sanding base in which one end of abrasive paper can be inserted.
4. Slip one end of the abrasive paper into the space between the clamp and sanding base.
5. Reposition the abrasive paper so it is finely overlaid on the pad surface.
6. Set the clamp lever back in a locked position to clamp the end of abrasive paper securely.
7. Release the clamp on the other end, and have the other end of abrasive paper ready to be clamped.
8. Maintain a proper tension on abrasive paper, and then set the clamp lever on the other end in a locked position.
► **Fig.9:** 1. Abrasive paper 2. Clamp 3. Sanding base 4. Clamp lever 5. Stopper
9. Cover the abrasive paper with the punch plate with its positioning stoppers adjacent to the corner well fit onto two of the side edges of the pad and sanding base.
► **Fig.10:** 1. Abrasive paper 2. Punch plate 3. Positioning stoppers 4. Pad 5. Sanding base
10. Push the punch plate over the abrasive paper to make dust-suction holes.
11. To remove the abrasive paper, release the clamps on both ends and take the paper off the pad.

Using hook-and-loop abrasive paper

Optional accessory

CAUTION: Make sure to install a hook-and-loop pad correctly and securely. A loose attachment will run out of balance and cause an excessive vibration resulting in loss of control.

CAUTION: Be sure that a hook-and-loop pad and abrasive paper are aligned and securely attached.

CAUTION: Only use hook-and-loop abrasive papers. Never use pressure-sensitive abrasive papers.

- Loosen and remove the four screws securing the pad to the sanding base.
- Replace the standard-equipped pad with an optional hook-and-loop pad.
- Re-tighten the screws firmly to secure the hook-and-loop pad.
► **Fig.11:** 1. Screws 2. Sanding base 3. Pad
- Remove all dirt and foreign matter from the hook-and-loop pad.
- Attach a sheet of optional hook-and-loop abrasive paper to the pad, aligning the dust-suction holes in the paper with those in the pad.
► **Fig.12:** 1. Abrasive paper 2. Pad 3. Dust-suction holes
- To remove the abrasive paper, peel it off from the edge.

CAUTION: The O ring may come out of the sanding base while replacing the pad. Set the O ring back in the circular grooves around the center of the base before installing the optional pad.

- **Fig.13:** 1. O ring 2. Sanding base 3. Circular grooves

Installing and removing dust bag

Optional accessory

Attach the dust bag over the tapered dust spout at the back end of the motor housing. Put the dust inlet of the bag onto the dust spout as far as it will go to avoid it from coming off during operation.

- **Fig.14:** 1. Dust spout 2. Dust inlet 3. Dust bag

NOTE: Make sure to attach the dust bag with its zipper slider facing downwards.

NOTE: To ensure optimal dust collecting, empty the dust bag when it becomes filled to approximately half of its capacity.
Remove the dust bag from the tool and pull the fastener out. Then gently shake or tap the dust bag to empty.

Installing and removing dust box

Optional accessory

Attach the dust box over the tapered dust spout at the back end of the motor housing. Put the dust nozzle onto the dust spout as far as it will go to avoid it from coming off during operation.

- **Fig.15:** 1. Dust spout 2. Dust nozzle 3. Dust box

NOTE: To ensure optimal dust collecting, empty the dust box when it becomes filled to approximately half of its capacity.

- Remove the dust box from the tool.
- Detach the dust nozzle from the box while pressing and holding the locking latches on both sides of the box.
- Gently shake or tap the dust box to empty.

Replacing filter

NOTICE: Be aware to align the logos on all the dust box, filter and dust nozzle in a consistent orientation when reassembling components.

- Remove the dust box from the tool.
- Detach the dust nozzle from the box while pressing and holding the locking latches on both sides of the box.
► **Fig.16:** 1. Dust nozzle 2. Dust box 3. Locking latch
- Hold the inner top edge of the cardboard opening, and pull it off downwards to disengage the outer top edge of the cardboard opening from the upper hooking tab on the lip of the dust box.
- Take the filter out of the dust box while pulling the outer bottom edge of the cardboard opening free from the lower hooking tab.
► **Fig.17:** 1. Filter 2. Cardboard opening 3. Upper hooking tab 4. Lower hooking tab 5. Dust box
- Replace a filter by engaging the bottom edge of the cardboard opening in the lower hooking tab and push the top edge inwards until it clips into the upper hooking tab.
► **Fig.18:** 1. Filter 2. Cardboard opening 3. Upper hooking tab 4. Lower hooking tab 5. Dust box

- Snap the dust nozzle into place while pressing and holding the locking latches on both sides of the dust box.

- **Fig.19:** 1. Dust nozzle 2. Dust box 3. Locking latch

Installing and removing front grip

Installation

Install the front grip to the tool before operation, if they are separately included in the package.

Insert the end of the front grip into the slot on the motor housing, aligning the outlines of the grip end with those of the slot.

Push and hold the front grip firmly towards the housing and rotate it 90 degrees with its gripping surface facing upwards.

- **Fig.20:** 1. Front grip 2. Slot 3. Motor housing
4. Gripping surface

CAUTION: After assembly, pull the front grip to check if it is securely attached together.

NOTICE: Make sure to push the front grip fully into the slot end and keep it positioned where it is while rotating the front grip. Failure to do so may cause damage to the tool.

Uninstallation

By removing the detachable front grip, sanding operation in tight, confined and hard-to-reach areas can be performed effectively.

Push and hold the front grip firmly towards the motor housing and rotate it 90 degrees to either the left or right. Then pull it apart from the tool.

Connecting with vacuum cleaner

Optional accessory

When you wish to perform clean sanding operation, connect a Makita vacuum cleaner to your tool. Use either an optional horse 28 mm or a combination of front cuffs 22 and hose provided with the cleaner to establish a connection.

- **Fig.21:** 1. Dust spout 2. Front cuffs 3. Hose
4. Vacuum cleaner

Installing and removing battery protector

Optional accessory

The battery protector is intended for protecting the workpiece and battery.

- **Fig.22:** 1. Battery protector

CAUTION: Never hand hold a battery protector when carrying the tool from one area to another or when holding the tool while not in use.

NOTE: The battery protector cannot be used with the thin batteries, such as BL1815N and BL1820B.

To install the battery protector, follow the steps below.

1. Insert the battery into the battery protector as shown in the figure.
► **Fig.23**
2. Push the battery into the battery protector so that the bosses in the battery protector fit the holes on the battery.
► **Fig.24:** 1. Hole 2. Boss
3. Make sure that the four corners are firmly hooked with the battery protector.
► **Fig.25**

To remove the battery protector, unhook the four corners, and slowly pull out the battery from the battery protector so that the bosses comes out of the holes on the battery. While pulling the battery, hold the battery and battery protector firmly.

OPERATION

Sanding operation

CAUTION: Never run the tool without the abrasive paper. You may seriously damage the pad.

CAUTION: Never force the tool. Excessive pressure may decrease the sanding efficiency, damage the abrasive paper and/or shorten tool life.

Sanding open areas

1. Hold the tool firmly with your both hands, one hand on the handle and the other on the front grip.
2. Turn the tool on and wait until it attains full speed.
3. Gently place the tool on the workpiece surface.
4. Keep the entire pad level and even with the surface and apply slight pressure on the tool.
► **Fig.26**

Sanding confined areas

1. Detach the front grip from the tool.
2. Hold the handle with one hand.
3. Turn the tool on and wait until it attains full speed.
4. Gently place the tool on the workpiece surface.
5. Keep the entire pad level and even with the surface and apply slight pressure on the tool.
6. Move the tool along curves, wall faces and in other confined spaces, sanding with the front and corner edges of the pad as you need.
► **Fig.27**

WIRELESS ACTIVATION FUNCTION

For model **DBO381** only

NOTICE: The wireless function is only available when the supported vacuum cleaner is being installed.

What you can do with the wireless activation function

The wireless activation function enables clean and comfortable operation. By connecting a supported vacuum cleaner to the tool, you can run the vacuum cleaner automatically along with the switch operation of the tool.
► **Fig.28**

To use the wireless activation function, prepare following items:

- A wireless unit (optional accessory)
- A vacuum cleaner which supports the wireless activation function

The overview of the wireless activation function setting is as follows. Refer to each section for detail procedures.

1. Installing the wireless unit
2. Tool registration for the vacuum cleaner
3. Starting the wireless activation function

Installing the wireless unit

Optional accessory

CAUTION: Place the tool on a flat and stable surface when installing the wireless unit.

NOTICE: Clean the dust and dirt on the tool before installing the wireless unit. Dust or dirt may cause malfunction if it comes into the slot of the wireless unit.

NOTICE: To prevent the malfunction caused by static, touch a static discharging material, such as a metal part of the tool, before picking up the wireless unit.

NOTICE: When installing the wireless unit, always be sure that the wireless unit is inserted in the correct direction and the lid is completely closed.

1. Open the lid on the tool as shown in the figure.

► **Fig.29:** 1. Lid

2. Insert the wireless unit to the slot and then close the lid.

When inserting the wireless unit, align the projections with the recessed portions on the slot.

► **Fig.30:** 1. Wireless unit 2. Projection 3. Lid
4. Recessed portion

When removing the wireless unit, open the lid slowly. The hooks on the back of the lid will lift the wireless unit as you pull up the lid.

► **Fig.31:** 1. Wireless unit 2. Hook 3. Lid

After removing the wireless unit, keep it in the supplied case or a static-free container.

NOTICE: Always use the hooks on the back of the lid when removing the wireless unit. If the hooks do not catch the wireless unit, close the lid completely and open it slowly again.

Tool registration for the vacuum cleaner

NOTE: A Makita vacuum cleaner supporting the wireless activation function is required for the tool registration.

NOTE: Finish installing the wireless unit to the tool before starting the tool registration.

NOTE: During the tool registration, do not pull the switch trigger or turn on the power switch on the vacuum cleaner.

NOTE: Refer to the instruction manual of the vacuum cleaner, too.

If you wish to activate the vacuum cleaner along with the switch operation of the tool, finish the tool registration beforehand.

1. Install the batteries to the vacuum cleaner and the tool.

2. Set the stand-by switch on the vacuum cleaner to "AUTO".

► **Fig.32:** 1. Stand-by switch

3. Press the wireless activation button on the vacuum cleaner for 3 seconds until the wireless activation lamp blinks in green. And then press the wireless activation button on the tool in the same way.

► **Fig.33:** 1. Wireless activation button 2. Wireless activation lamp

If the vacuum cleaner and the tool are linked successfully, the wireless activation lamps will light up in green for 2 seconds and start blinking in blue.

NOTE: The wireless activation lamps finish blinking in green after 20 seconds elapsed. Press the wireless activation button on the tool while the wireless activation lamp on the cleaner is blinking. If the wireless activation lamp does not blink in green, push the wireless activation button briefly and hold it down again.

NOTE: When performing two or more tool registrations for one vacuum cleaner, finish the tool registration one by one.

Starting the wireless activation function

NOTE: Finish the tool registration for the vacuum cleaner prior to the wireless activation.

NOTE: Refer to the instruction manual of the vacuum cleaner, too.

After registering a tool to the vacuum cleaner, the vacuum cleaner will automatically runs along with the switch operation of the tool.

1. Install the wireless unit to the tool.

2. Connect the hose of the vacuum cleaner with the tool.

► **Fig.34**

3. Set the stand-by switch on the vacuum cleaner to "AUTO".

► **Fig.35:** 1. Stand-by switch

4. Push the wireless activation button on the tool briefly. The wireless activation lamp will blink in blue.

► **Fig.36:** 1. Wireless activation button 2. Wireless activation lamp

5. Turn on the tool. Check if the vacuum cleaner runs while the tool is operating.

To stop the wireless activation of the vacuum cleaner, push the wireless activation button on the tool.

NOTE: The wireless activation lamp on the tool will stop blinking in blue when there is no operation for 2 hours. In this case, set the stand-by switch on the vacuum cleaner to "AUTO" and push the wireless activation button on the tool again.

NOTE: The vacuum cleaner starts/stops with a delay. There is a time lag when the vacuum cleaner detects a switch operation of the tool.










NOTE: The transmission distance of the wireless unit may vary depending on the location and surrounding circumstances.

NOTE: When two or more tools are registered to one vacuum cleaner, the vacuum cleaner may start running even if you do not turn on your tool because another user is using the wireless activation function.

Description of the wireless activation lamp status

► Fig.37: 1. Wireless activation lamp

The wireless activation lamp shows the status of the wireless activation function. Refer to the table below for the meaning of the lamp status.

| Status | Wireless activation lamp | | | | Description |
|------------------------------|--------------------------|--|--|---------------------------|--|
| | Color |  On |  Blinking | Duration | |
| Standby | Blue |  | | 2 hours | The wireless activation of the vacuum cleaner is available. The lamp will automatically turn off when no operation is performed for 2 hours. |
| | |  | | When the tool is running. | The wireless activation of the vacuum cleaner is available and the tool is running. |
| Tool registration | Green |  | | 20 seconds | Ready for the tool registration. Waiting for the registration by the vacuum cleaner. |
| | |  | | 2 seconds | The tool registration has been finished. The wireless activation lamp will start blinking in blue. |
| Cancelling tool registration | Red |  | | 20 seconds | Ready for the cancellation of the tool registration. Waiting for the cancellation by the vacuum cleaner. |
| | |  | | 2 seconds | The cancellation of the tool registration has been finished. The wireless activation lamp will start blinking in blue. |
| Others | Red |  | | 3 seconds | The power is supplied to the wireless unit and the wireless activation function is starting up. |
| | Off | - | | - | The wireless activation of the vacuum cleaner is stopped. |

Cancelling tool registration for the vacuum cleaner

Perform the following procedure when cancelling the tool registration for the vacuum cleaner.

1. Install the batteries to the vacuum cleaner and the tool.
2. Set the stand-by switch on the vacuum cleaner to "AUTO".

► Fig.38: 1. Stand-by switch

3. Press the wireless activation button on the vacuum cleaner for 6 seconds. The wireless activation lamp blinks in green and then become red. After that, press the wireless activation button on the tool in the same way.

► Fig.39: 1. Wireless activation button 2. Wireless activation lamp

If the cancellation is performed successfully, the wireless activation lamps will light up in red for 2 seconds and start blinking in blue.

NOTE: The wireless activation lamps finish blinking in red after 20 seconds elapsed. Press the wireless activation button on the tool while the wireless activation lamp on the cleaner is blinking. If the wireless activation lamp does not blink in red, push the wireless activation button briefly and hold it down again.

Troubleshooting for wireless activation function

Before asking for repairs, conduct your own inspection first. If you find a problem that is not explained in the manual, do not attempt to dismantle the tool. Instead, ask Makita Authorized Service Centers, always using Makita replacement parts for repairs.

| State of abnormality | Probable cause (malfunction) | Remedy |
|--|---|---|
| The wireless activation lamp does not light/blink. | The wireless unit is not installed into the tool. The wireless unit is improperly installed into the tool. | Install the wireless unit correctly. |
| | The terminal of the wireless unit and/or the slot is dirty. | Gently wipe off dust and dirt on the terminal of the wireless unit and clean the slot. |
| | The wireless activation button on the tool has not been pushed. | Push the wireless activation button on the tool briefly. |
| | The stand-by switch on the vacuum cleaner is not set to "AUTO". | Set the stand-by switch on the vacuum cleaner to "AUTO". |
| | No power supply | Supply the power to the tool and the vacuum cleaner. |
| Cannot finish tool registration / cancelling tool registration successfully. | The wireless unit is not installed into the tool. The wireless unit is improperly installed into the tool. | Install the wireless unit correctly. |
| | The terminal of the wireless unit and/or the slot is dirty. | Gently wipe off dust and dirt on the terminal of the wireless unit and clean the slot. |
| | The stand-by switch on the vacuum cleaner is not set to "AUTO". | Set the stand-by switch on the vacuum cleaner to "AUTO". |
| | No power supply | Supply the power to the tool and the vacuum cleaner. |
| | Incorrect operation | Push the wireless activation button briefly and perform the tool registration/cancellation procedures again. |
| | The tool and vacuum cleaner are away from each other (out of the transmission range). | Get the tool and vacuum cleaner closer to each other. The maximum transmission distance is approximately 10 m however it may vary according to the circumstances. |
| | Before finishing the tool registration/cancellation; - the switch of the tool is turned on or; - the power button on the vacuum cleaner is turned on. | Push the wireless activation button briefly and perform the tool registration/cancellation procedures again. |
| | The tool registration procedures for the tool or vacuum cleaner have not finished. | Perform the tool registration procedures for both the tool and the vacuum cleaner at the same timing. |
| | Radio disturbance by other appliances which generate high-intensity radio waves. | Keep the tool and vacuum cleaner away from the appliances such as Wi-Fi devices and microwave ovens. |
| The vacuum cleaner does not run along with the switch operation of the tool. | The wireless unit is not installed into the tool. The wireless unit is improperly installed into the tool. | Install the wireless unit correctly. |
| | The terminal of the wireless unit and/or the slot is dirty. | Gently wipe off dust and dirt on the terminal of the wireless unit and clean the slot. |
| | The wireless activation button on the tool has not been pushed. | Push the wireless activation button briefly and make sure that the wireless activation lamp is blinking in blue. |
| | The stand-by switch on the vacuum cleaner is not set to "AUTO". | Set the stand-by switch on the vacuum cleaner to "AUTO". |
| | More than 10 tools are registered to the vacuum cleaner. | Perform the tool registration again. If more than 10 tools are registered to the vacuum cleaner, the tool registered earliest will be cancelled automatically. |
| | The vacuum cleaner erased all tool registrations. | Perform the tool registration again. |
| | No power supply | Supply the power to the tool and the vacuum cleaner. |
| | The tool and vacuum cleaner are away from each other (out of the transmission range). | Get the tool and vacuum cleaner closer each other. The maximum transmission distance is approximately 10 m however it may vary according to the circumstances. |
| | Radio disturbance by other appliances which generate high-intensity radio waves. | Keep the tool and vacuum cleaner away from the appliances such as Wi-Fi devices and microwave ovens. |
| The vacuum cleaner runs while the tool is not operating. | Other users are using the wireless activation of the vacuum cleaner with their tools. | Turn off the wireless activation button of the other tools or cancel the tool registration of the other tools. |

MAINTENANCE

⚠ CAUTION: Always be sure that the tool is switched off and the battery cartridge is removed before attempting to perform inspection or maintenance.

NOTICE: Never use gasoline, benzine, thinner, alcohol or the like. Discoloration, deformation or cracks may result.

To maintain product SAFETY and RELIABILITY, repairs, any other maintenance or adjustment should be performed by Makita Authorized or Factory Service Centers, always using Makita replacement parts.

After use

Wipe off the tool using a dry cloth or cloth slightly moistened with soapy water at regular intervals.

OPTIONAL ACCESSORIES

⚠ CAUTION: These accessories or attachments are recommended for use with your Makita tool specified in this manual. The use of any other accessories or attachments might present a risk of injury to persons. Only use accessory or attachment for its stated purpose.

If you need any assistance for more details regarding these accessories, ask your local Makita Service Center.

- Abrasive paper (with pre-punched holes)
- Hook-and-loop type of abrasive paper
- Punch plate
- Backing pad (For use with hook-and-loop type of abrasive paper)
- Backing pad (For use with conventional type of abrasive paper)
- Dust bag
- Dust box
- Filter
- Hose
- Wireless unit (for model DBO381)
- Battery protector
- Makita genuine battery and charger

NOTE: Some items in the list may be included in the tool package as standard accessories. They may differ from country to country.

SPÉCIFICATIONS

| Modèle : | | DBO380 | DBO381 |
|-------------------------------------|--------|--------------------------|--------|
| Dimensions du plateau | | 93 mm x 185 mm | |
| Dimensions du papier abrasif | | 93 mm x 228 mm | |
| Nombre d'oscillations par minute | Élevé | 12 000 min ⁻¹ | |
| | Moyen | 8 000 min ⁻¹ | |
| | Faible | 4 000 min ⁻¹ | |
| Longueur totale (avec manche avant) | | 336 mm | |
| Tension nominale | | 18 VCC | |
| Poids net | | 1,9 - 2,2 kg | |

- Étant donné l'évolution constante de notre programme de recherche et de développement, les spécifications contenues dans ce manuel sont sujettes à modification sans préavis.
- Les spécifications et la batterie peuvent être différentes suivant les pays.
- Le poids peut être différent selon les accessoires, notamment la batterie. Les associations la plus légère et la plus lourde, conformément à la procédure EPA 01/2014, sont indiquées dans le tableau.

Batterie et chargeur applicables

| | |
|----------|---|
| Batterie | BL1815N / BL1820B / BL1830B / BL1840B / BL1850B / BL1860B |
| Chargeur | DC18RC / DC18RD / DC18RE / DC18SD / DC18SE / DC18SF / DC18SH / DC18WC |

- Certains chargeurs et batteries répertoriés ci-dessus peuvent ne pas être disponibles selon la région où vous résidez.

⚠ AVERTISSEMENT : N'utilisez que les batteries et les chargeurs répertoriés ci-dessus. L'utilisation d'autres batteries et chargeurs peut provoquer des blessures et/ou un incendie.

Utilisations

L'outil est conçu pour le ponçage des grandes surfaces de bois, de plastique et de métal, ainsi que des surfaces peintes.

Bruit

Niveau de bruit pondéré A typique, déterminé selon EN62841-2-4 :

Modèle DBO380

Niveau de pression sonore (L_{pA}) : 72 dB (A)

Incertitude (K) : 3 dB (A)

Modèle DBO381

Niveau de pression sonore (L_{pA}) : 72 dB (A)

Incertitude (K) : 3 dB (A)

Le niveau de bruit en fonctionnement peut dépasser 80 dB (A).

NOTE : La ou les valeurs d'émission de bruit déclarées ont été mesurées conformément à la méthode de test standard et peuvent être utilisées pour comparer les outils entre eux.

NOTE : La ou les valeurs d'émission de bruit déclarées peuvent aussi être utilisées pour l'évaluation préliminaire de l'exposition.

⚠ AVERTISSEMENT : Portez un serre-tête antibruit.

⚠ AVERTISSEMENT : L'émission de bruit lors de l'usage réel de l'outil électrique peut être différente de la ou des valeurs déclarées, suivant la façon dont l'outil est utilisé, particulièrement selon le type de pièce usinée.

⚠ AVERTISSEMENT : Les mesures de sécurité à prendre pour protéger l'utilisateur doivent être basées sur une estimation de l'exposition dans des conditions réelles d'utilisation (en tenant compte de toutes les composantes du cycle d'utilisation, comme par exemple le moment de sa mise hors tension, lorsqu'il tourne à vide et le moment de son déclenchement).

Vibrations

Valeur totale de vibrations (somme de vecteur triaxial) déterminée selon EN62841-2-4 :

Modèle DBO380

Mode de travail : ponçage de la tôle

Émission de vibrations (a_{hv}) : 3,6 m/s²

Incertitude (K) : 1,5 m/s²

Modèle DBO381

Mode de travail : ponçage de la tôle

Émission de vibrations (a_{hv}) : 3,6 m/s²

Incertitude (K) : 1,5 m/s²

NOTE : La ou les valeurs de vibration totales déclarées ont été mesurées conformément à la méthode de test standard et peuvent être utilisées pour comparer les outils entre eux.

NOTE : La ou les valeurs de vibration totales déclarées peuvent aussi être utilisées pour l'évaluation préliminaire de l'exposition.

⚠ AVERTISSEMENT : L'émission de vibrations lors de l'usage réel de l'outil électrique peut être différente de la ou des valeurs déclarées, suivant la façon dont l'outil est utilisé, particulièrement selon le type de pièce usinée.

⚠ AVERTISSEMENT : Les mesures de sécurité à prendre pour protéger l'utilisateur doivent être basées sur une estimation de l'exposition dans des conditions réelles d'utilisation (en tenant compte de toutes les composantes du cycle d'utilisation, comme par exemple le moment de sa mise hors tension, lorsqu'il tourne à vide et le moment de son déclenchement).

Déclaration de conformité CE

Pour les pays européens uniquement

La déclaration de conformité CE est fournie en Annexe A à ce mode d'emploi.

CONSIGNES DE SÉCURITÉ

Consignes de sécurité générales pour outils électriques

⚠ AVERTISSEMENT : Veuillez lire les consignes de sécurité, instructions, illustrations et spécifications qui accompagnent cet outil électrique. Le non-respect de toutes les instructions indiquées ci-dessous peut entraîner une électrocution, un incendie et/ou de graves blessures.

Conservez toutes les mises en garde et instructions pour référence ultérieure.

Le terme « outil électrique » dans les avertissements fait référence à l'outil électrique alimenté par le secteur (avec cordon d'alimentation) ou à l'outil électrique fonctionnant sur batterie (sans cordon d'alimentation).

Consignes de sécurité pour ponceuse

1. Utilisez toujours des lunettes de protection ou des lunettes à coques. Des lunettes ordinaires ou de soleil NE sont PAS des lunettes de protection.
2. Tenez l'outil fermement.
3. Ne vous éloignez pas de l'outil quand il fonctionne. Ne faites fonctionner l'outil que lorsque vous le tenez en main.

4. L'outil n'étant pas étanche, n'utilisez pas d'eau sur la surface de travail.
5. Ventilez bien l'aire de travail quand vous effectuez un ponçage.
6. Certains matériaux contiennent des produits chimiques qui peuvent être toxiques. Prenez les précautions nécessaires pour ne pas inhaler les poussières qu'ils dégagent et pour éviter tout contact avec la peau. Conformez-vous aux consignes de sécurité du fournisseur du matériau.
7. L'utilisation de cet outil pour poncer certains types de produit, peinture et bois peut exposer l'utilisateur à des poussières contenant des substances dangereuses. Utilisez une protection des voies respiratoires adéquate.
8. Avant l'utilisation, assurez-vous que le plateau n'est ni fissuré ni cassé. Il y a risque de blessure s'il est fissuré ou cassé.
9. Regardez où vous posez les pieds et maintenez un bon équilibre pendant l'utilisation de l'outil. Assurez-vous que personne ne se trouve dessous lorsque vous utilisez l'outil en hauteur.

CONSERVEZ CES INSTRUCTIONS.

⚠ AVERTISSEMENT : NE vous laissez PAS tromper (au fil d'une utilisation répétée) par un sentiment d'aisance et de familiarité avec le produit, en négligeant le respect rigoureux des consignes de sécurité qui accompagnent le produit en question. La MAUVAISE UTILISATION de l'outil ou l'ignorance des consignes de sécurité indiquées dans ce mode d'emploi peut entraîner de graves blessures.

Consignes de sécurité importantes pour la batterie

1. Avant d'utiliser la batterie, lisez toutes les instructions et précautions relatives (1) au chargeur de batterie, (2) à la batterie, et (3) au produit utilisant la batterie.
2. Ne désassemblez pas et ne modifiez pas la batterie. Cela pourrait entraîner un incendie, une chaleur excessive ou une explosion.
3. Cessez immédiatement l'utilisation si le temps de fonctionnement devient excessivement court. Il y a risque de surchauffe, de brûlures, voire d'explosion.
4. Si l'électrolyte pénètre dans vos yeux, rincez-les à l'eau claire et consultez immédiatement un médecin. Il y a risque de perte de la vue.
5. Ne court-circuitez pas la batterie :
 - (1) Ne touchez les bornes avec aucun matériau conducteur.
 - (2) Évitez de ranger la batterie dans un conteneur avec d'autres objets métalliques, par exemple des clous, des pièces de monnaie, etc.
 - (3) N'exposez pas la batterie à l'eau ou à la pluie.

Un court-circuit de la batterie peut provoquer une intensité de courant élevée, une surchauffe, parfois des brûlures et même une panne.

6. Ne rangez ni n'utilisez l'outil et la batterie dans un endroit où la température risque d'atteindre ou de dépasser 50 °C.
7. Ne jetez pas la batterie au feu même si elle est sérieusement endommagée ou complètement épuisée. La batterie peut exploser au contact du feu.
8. Abstenez-vous de clouer, couper, écraser, jeter, laisser tomber la batterie, ou de la heurter contre un objet dur. Cela pourrait entraîner un incendie, une chaleur excessive ou une explosion.
9. N'utilisez pas la batterie si elle est endommagée.
10. Les batteries au lithium-ion contenues sont soumises aux exigences de la législation sur les marchandises dangereuses. Lors du transport commercial par des tierces parties ou des transitaires par exemple, des exigences spécifiques en matière d'étiquetage et d'emballage doivent être respectées. Pour la préparation de l'article expédié, il est nécessaire de consulter un expert en matériau dangereux. Veuillez également respecter les réglementations nationales susceptibles d'être plus détaillées. Recouvrez les contacts exposés avec du ruban adhésif ou du ruban de masquage et emballez la batterie de telle sorte qu'elle ne puisse pas bouger dans l'emballage.
11. Lors de la mise au rebut de la batterie, retirez-la de l'outil et jetez-la en lieu sûr. Suivez les réglementations locales en matière de mise au rebut des batteries.
12. Utilisez les batteries uniquement avec les produits spécifiés par Makita. L'insertion de batteries dans des produits non conformes peut provoquer un incendie, une chaleur excessive, une explosion ou une fuite de l'électrolyte.
13. Lorsque vous n'utilisez pas l'outil pendant une période prolongée, la batterie doit être retirée de l'outil.
14. Pendant et après l'utilisation, la batterie peut chauffer, ce qui peut entraîner des brûlures, y compris en cas de température relativement basse. Manipulez les batteries chaudes avec précaution.
15. Ne touchez pas la borne de l'outil immédiatement après utilisation car elle peut être assez chaude pour provoquer des brûlures.
16. Évitez que des copeaux, de la poussière ou du sol adhèrent aux bornes, aux trous et aux rainures de la batterie. Cela peut provoquer un échauffement, un incendie, une explosion ou un dysfonctionnement de l'outil ou de la batterie, ce qui peut entraîner des brûlures ou des blessures.
17. À moins que l'outil prenne en charge un tel usage, n'utilisez pas la batterie à proximité de lignes électriques haute tension. Cela pourrait entraîner un dysfonctionnement ou casser l'outil ou la batterie.

18. Conservez la batterie hors de portée des enfants.

CONSERVEZ CES INSTRUCTIONS.

⚠ ATTENTION : N'utilisez que des batteries Makita d'origine. L'utilisation de batteries de marque autre que Makita ou de batteries modifiées peut provoquer l'explosion des batteries, ce qui présente un risque d'incendie, de dommages matériels et corporels. Cela annulera également la garantie Makita pour l'outil et le chargeur Makita.

Conseils pour assurer la durée de vie optimale de la batterie

1. Chargez la batterie avant qu'elle ne soit complètement déchargée. Arrêtez toujours l'outil et rechargez la batterie quand vous remarquez que la puissance de l'outil diminue.
2. Ne rechargez jamais une batterie complètement chargée. La surcharge réduit la durée de service de la batterie.
3. Chargez la batterie à une température ambiante comprise entre 10 °C et 40 °C. Avant de charger une batterie chaude, laissez-la refroidir.
4. Lorsque vous n'utilisez pas la batterie, retirez-la de l'outil ou du chargeur.
5. Rechargez la batterie si elle est restée inutilisée pendant une période prolongée (plus de six mois).

Consignes de sécurité importantes pour le connecteur sans fil

1. Ne démontez ni ne modifiez le connecteur sans fil.
2. Conservez le connecteur sans fil hors de portée des jeunes enfants. En cas d'ingestion accidentelle, consultez immédiatement un médecin.
3. Utilisez le connecteur sans fil uniquement avec des outils Makita.
4. N'exposez pas le connecteur sans fil à la pluie ou à l'humidité.
5. N'utilisez pas le connecteur sans fil dans un endroit où la température dépasse 50 °C.
6. Ne faites pas fonctionner le connecteur sans fil dans un endroit où des appareils médicaux comme des simulateurs cardiaques sont utilisés.
7. Ne faites pas fonctionner le connecteur sans fil dans un endroit où des appareils automatiques sont utilisés. Sinon, ces appareils pourraient présenter un dysfonctionnement ou une erreur.
8. N'utilisez pas le connecteur sans fil dans un endroit à température élevée ou dans un endroit susceptible de générer de l'électricité statique ou du bruit électrique.
9. Le connecteur sans fil peut produire des champs électromagnétiques (CEM), mais ceux-ci ne sont pas dangereux pour l'utilisateur.

10. Le connecteur sans fil est un instrument de précision. Évitez de laisser tomber ou de cogner le connecteur sans fil.
11. Évitez de toucher la borne du connecteur sans fil avec les mains nues ou avec des objets métalliques.
12. Retirez toujours la batterie du produit avant d'y installer le connecteur sans fil.
13. Évitez d'ouvrir le couvercle de la fente dans un endroit où de la poussière ou de l'eau pourrait pénétrer dans la fente. Maintenez toujours propre l'entrée de la fente.
14. Insérez toujours le connecteur sans fil dans le bon sens.
15. N'appuyez pas trop fort sur le bouton d'activation sans fil du connecteur sans fil, ni n'appuyez dessus avec un objet pointu.
16. Fermez toujours le couvercle de la fente pendant le fonctionnement.
17. **Ne retirez pas le connecteur sans fil de la fente alors que l'outil est sous tension.** Vous risqueriez de provoquer un dysfonctionnement du connecteur sans fil.
18. **Ne retirez pas l'autocollant du connecteur sans fil.**
19. **Ne placez pas d'autocollant sur le connecteur sans fil.**
20. **Ne laissez pas le connecteur sans fil dans un endroit susceptible de générer de l'électricité statique ou du bruit électrique.**
21. **Ne laissez pas le connecteur sans fil dans un endroit soumis à une forte chaleur, comme une voiture en plein soleil.**
22. **Ne laissez pas le connecteur sans fil dans un endroit poussiéreux ou sablonneux ou dans un endroit susceptible de générer des gaz corrosifs.**
23. De la condensation peut se former sur le connecteur sans fil en cas de brusque changement de température. N'utilisez pas le connecteur sans fil tant que la condensation n'a pas complètement séché.
24. Pour nettoyer le connecteur sans fil, essuyez-le délicatement avec un chiffon doux et sec. N'utilisez pas de benzine, diluant, graisse conductrice ou autre.
25. Rangez le connecteur sans fil en le conservant dans l'étui fourni ou dans un récipient anti-statique.
26. N'insérez pas d'autres dispositifs que le connecteur sans fil Makita dans la fente sur l'outil.
27. N'utilisez pas l'outil si le couvercle de la fente est endommagé. L'eau, la poussière ou la saleté pourraient pénétrer dans la fente provoquant un dysfonctionnement.
28. **Ne tirez, ni ne tordez plus que nécessaire le couvercle de la fente.** Remettez le couvercle en place s'il se détache de l'outil.
29. **Remplacez le couvercle de la fente si vous le perdez ou l'endommagez.**

CONSERVEZ CES INSTRUCTIONS.

DESCRIPTION DU FONCTIONNEMENT

⚠ ATTENTION : Assurez-vous toujours que l'outil est hors tension et que sa batterie est retirée avant de l'ajuster ou de vérifier son fonctionnement.

Insertion ou retrait de la batterie

⚠ ATTENTION : Éteignez toujours l'outil avant de mettre en place ou de retirer la batterie.

⚠ ATTENTION : Tenez fermement l'outil et la batterie lors de la mise en place ou du retrait de la batterie. Si vous ne tenez pas fermement l'outil et la batterie, ils peuvent vous glisser des mains, et s'abîmer ou vous blesser.

► Fig.1: 1. Indicateur rouge 2. Bouton 3. Batterie

Pour retirer la batterie, faites-la glisser hors de l'outil tout en faisant glisser le bouton à l'avant de la batterie.

Pour mettre la batterie en place, alignez la languette de la batterie avec la rainure du compartiment puis insérez la batterie. Insérez-la entièrement jusqu'à entendre un léger déclic indiquant qu'elle est bien en place. Si vous pouvez voir l'indicateur rouge comme illustré sur la figure, c'est qu'elle n'est pas bien verrouillée.

⚠ ATTENTION : Insérez toujours complètement la batterie jusqu'à ce que l'indicateur rouge ne soit plus visible. Sinon, elle pourrait tomber accidentellement de l'outil, au risque de vous blesser ou de blesser quelqu'un se trouvant près de vous.

⚠ ATTENTION : N'insérez pas la batterie de force. Si elle ne glisse pas facilement, c'est que vous ne l'insérez pas correctement.

Indication de la charge restante de la batterie

Uniquement pour les batteries avec voyant lumineux

► Fig.2: 1. Témoins 2. Bouton de vérification

Appuyez sur le bouton de vérification sur la batterie pour indiquer la charge restante de la batterie. Les témoins s'allument pendant quelques secondes.

| Témoins | | | Charge restante |
|---------|--------|------------|-----------------------------------|
| Allumé | Éteint | Clignotant | |
| ■ | □ | ◐ | 75 % à 100 % |
| ■ | ■ | □ | 50 % à 75 % |
| ■ | ■ | □ | 25 % à 50 % |
| ■ | □ | □ | 0 % à 25 % |
| ◐ | □ | □ | Chargez la batterie. |
| ■ | ■ | □ | Anomalie possible de la batterie. |
| □ | □ | ■ | |

NOTE : Selon les conditions d'utilisation et la température ambiante, l'indication peut être légèrement différente de la capacité réelle.

NOTE : Le premier témoin (complètement à gauche) clignotera pendant le fonctionnement du système de protection de la batterie.

Système de protection de l'outil/la batterie

L'outil est équipé d'un système de protection de l'outil/la batterie. Ce système coupe automatiquement l'alimentation vers le moteur pour prolonger la durée de vie de l'outil et de la batterie. Si l'outil ou la batterie se trouve dans l'une des situations suivantes, l'outil cessera automatiquement de fonctionner.

Protection contre la surcharge

Lorsque l'outil ou la batterie est utilisé d'une manière provoquant un appel de courant anormalement élevé, l'outil s'arrête automatiquement sans indication. Dans ce cas, éteignez l'outil et arrêtez la tâche ayant provoqué la surcharge de l'outil. Puis rallumez l'outil pour reprendre la tâche.

Protection contre la surchauffe

En cas de surchauffe de l'outil ou de la batterie, l'outil s'arrête automatiquement. Dans ce cas, laissez l'outil et la batterie refroidir avant de rallumer l'outil.

Protection contre la décharge totale de la batterie

Lorsque la charge de la batterie est insuffisante, l'outil s'arrête automatiquement. Dans ce cas, retirez la batterie de l'outil et chargez-la.

Fonctionnement de la gâchette

⚠ ATTENTION : Évitez de mettre l'outil sous tension alors qu'il est placé sur la pièce ou sur un établi. Cela pourrait provoquer des dommages corporels ou matériels.

Mise sous et hors tension de l'outil

Appuyez sur le bouton d'alimentation/de sélection de la vitesse en haut de la poignée principale pour démarrer l'outil. L'outil démarre à sa vitesse orbitale la plus élevée. Appuyez sur le bouton d'arrêt pour suspendre ou arrêter le fonctionnement.

► **Fig.3:** 1. Bouton d'alimentation/de sélection de la vitesse 2. Bouton d'arrêt 3. Poignée principale

Changement de vitesse de l'outil

La vitesse orbitale peut être changée selon trois modes, à savoir élevé, moyen et faible selon l'application et la charge de travail.

Appuyez sur le bouton d'alimentation/de sélection de la vitesse pour changer de mode de vitesse.

► **Fig.4:** 1. Bouton d'alimentation/de sélection de la vitesse

Tableau des réglages de la vitesse

| Niveau de vitesse | Orbital par minute |
|-------------------|--------------------------|
| 3 (Élevé) | 12 000 min ⁻¹ |
| 2 (Moyen) | 8 000 min ⁻¹ |
| 1 (Faible) | 4 000 min ⁻¹ |

REMARQUE : Si l'outil est utilisé de manière continue à vitesse basse sur une période prolongée, le moteur surchauffera, entraînant un dysfonctionnement de l'outil.

REMARQUE : Sélectionnez une plage de vitesse appropriée pour vos opérations de ponçage afin d'éviter la surchauffe et la fonte de la pièce. Poncer à une vitesse orbitale élevée peut chauffer la pièce et la faire fondre au point de contact.

Fonctions électroniques

L'outil est doté d'une fonction électronique pour en faciliter le fonctionnement.

Commande de vitesse constante

Cette fonction délivre une vitesse orbitale constante pour obtenir une finition précise.

ASSEMBLAGE

⚠ ATTENTION : Assurez-vous toujours que l'outil est hors tension et que sa batterie est retirée avant d'effectuer toute tâche dessus.

Pose et dépose du papier abrasif

⚠ ATTENTION : Assurez-vous toujours qu'une feuille de papier abrasif est posée solidement avant utilisation. Le papier pourrait autrement bouger, se retirer facilement et glisser, provoquant un ponçage inégal.

Utilisation du papier abrasif fourni avec l'outil

1. Maintenez enfoncé le levier de serrage sur l'avant ou l'arrière du plateau, et éloignez-le de la butée en le faisant glisser, de sorte que le dispositif de serrage soit libéré de sa position serrée.

2. Tirez le levier de serrage vers l'extérieur aussi loin que possible pour créer un espace entre le dispositif de serrage et la paroi latérale du socle de ponçage dans lequel un bout du papier abrasif peut être inséré.

► **Fig.5:** 1. Levier de serrage 2. Butée 3. Dispositif de serrage 4. Socle de ponçage 5. Plateau

3. Placez une feuille de papier abrasif sur le plateau, en alignant les orifices d'aspiration de la poussière du papier avec ceux sur le plateau.

► **Fig.6:** 1. Papier abrasif 2. Plateau 3. Orifice d'aspiration de la poussière

4. Insérez un bout du papier abrasif dans l'espace entre le dispositif de serrage et le socle de ponçage.

5. Remplacez le levier de serrage dans la position verrouillée de sorte que le bout du papier abrasif soit solidement serré.

6. Dégagez le dispositif de serrage sur l'autre extrémité et préparez-vous à serrer l'autre bout du papier abrasif.

7. Maintenez une tension adéquate sur le papier abrasif, puis placez le levier de serrage sur l'autre extrémité en position verrouillée.

► **Fig.7:** 1. Papier abrasif 2. Dispositif de serrage
3. Socle de ponçage 4. Levier de serrage
5. Butée

8. Pour retirer le papier abrasif, dégagez les dispositifs de serrage des deux côtés et décollez le papier du plateau.

Utilisation de papier abrasif en vente dans le commerce

1. Découpez une feuille de papier abrasif à la taille appropriée.

► **Fig.8:** 1. Papier abrasif 2. Plateau

2. Maintenez enfoncé le levier de serrage sur l'avant ou l'arrière du plateau, et éloignez-le de la butée en le faisant glisser, de sorte que le dispositif de serrage soit libéré de sa position serrée.

3. Tirez le levier de serrage vers l'extérieur aussi loin que possible pour créer un espace entre le dispositif de serrage et la paroi latérale du socle de ponçage dans lequel un bout du papier abrasif peut être inséré.

4. Insérez un bout du papier abrasif dans l'espace entre le dispositif de serrage et le socle de ponçage.

5. Remplacez le papier abrasif de sorte qu'il repose en douceur sur la surface du plateau.

6. Remettez le levier de serrage dans la position verrouillée pour serrer solidement le bout du papier abrasif.

7. Dégagez le dispositif de serrage sur l'autre extrémité et préparez-vous à serrer l'autre bout du papier abrasif.

8. Maintenez une tension adéquate sur le papier abrasif, puis placez le levier de serrage sur l'autre extrémité en position verrouillée.

► **Fig.9:** 1. Papier abrasif 2. Dispositif de serrage
3. Socle de ponçage 4. Levier de serrage
5. Butée

9. Couvrez le papier abrasif avec le porte-poinçon en plaçant ses butées de positionnement adjacentes au coin bien insérées dans les deux bords latéraux du plateau et du socle de ponçage.

► **Fig.10:** 1. Papier abrasif 2. Porte-poinçon 3. Butées de positionnement 4. Plateau 5. Socle de ponçage

10. Poussez le porte-poinçon sur le papier abrasif pour faire des orifices d'aspiration de la poussière.

11. Pour retirer le papier abrasif, dégagez les dispositifs de serrage des deux côtés et décollez le papier du plateau.

Utilisation de papier abrasif autoagrippant

Accessoire en option

⚠ATTENTION : Assurez-vous d'installer le plateau autoagrippant correctement et solidement. Une mauvaise fixation entraînera un déséquilibre et des vibrations excessives, provoquant une perte de contrôle.

⚠ATTENTION : Assurez-vous que le plateau autoagrippant et le papier abrasif sont alignés et solidement fixés.

⚠ATTENTION : Utilisez uniquement du papier abrasif autoagrippant. L'utilisation de papier abrasif sensible à la pression est à exclure.

1. Desserrez et retirez les quatre vis maintenant en place le plateau et le socle de ponçage.

2. Remplacez le plateau équipé en série par un plateau autoagrippant en option.

3. Resserrez fermement les vis pour maintenir en place le plateau autoagrippant.

► **Fig.11:** 1. Vis 2. Socle de ponçage 3. Plateau

4. Enlevez toute la saleté et tout corps étranger du plateau autoagrippant.

5. Collez une feuille de papier abrasif autoagrippant sur le plateau, en alignant les orifices d'aspiration de la poussière du papier avec ceux sur le plateau.

► **Fig.12:** 1. Papier abrasif 2. Plateau 3. Orifices d'aspiration de la poussière

6. Pour retirer le papier abrasif, décollez-le du bord.

⚠ATTENTION : Le joint torique peut se détacher du socle de ponçage pendant le remplacement du plateau. Placez le joint torique dans les rainures circulaires autour du centre du socle avant d'installer le plateau en option.

► **Fig.13:** 1. Joint torique 2. Socle de ponçage
3. Rainures circulaires

Mise en place et retrait du sac à poussière

Accessoire en option

Fixez le sac à poussière sur le bec à poussière en forme de cône au dos du carter du moteur. Insérez à fond l'orifice d'admission de la poussière du sac sur le bec à poussière pour éviter qu'il ne se détache pendant le fonctionnement.

► **Fig.14:** 1. Bec à poussière 2. Orifice d'admission de la poussière 3. Sac à poussière

NOTE : Veillez à fixer le sac à poussière avec sa fermeture à glissière tournée vers le bas.

NOTE : Pour garantir une collecte optimale des poussières, videz le sac à poussière lorsqu'il est plein à environ la moitié de sa capacité.

Retirez le sac à poussière de l'outil et tirez sur l'attache. Ensuite, secouez ou tapotez légèrement le sac à poussière pour le vider.

Mise en place et retrait du récipient à sciure

Accessoire en option

Fixez le récipient à sciure sur le bec à poussière en forme de cône au dos du carter du moteur. Insérez à fond la buse d'aspiration de la poussière sur le bec à poussière pour éviter qu'elle ne se détache pendant le fonctionnement.

► **Fig.15:** 1. Bec à poussière 2. Buse d'aspiration de la poussière 3. Récipient à sciure

NOTE : Pour garantir une collecte optimale des poussières, videz le récipient à sciure lorsqu'il est plein à environ la moitié de sa capacité.

1. Retirez le récipient à sciure de l'outil.
2. Détachez la buse d'aspiration de la poussière du récipient tout en maintenant enfoncés les loquets de verrouillage des deux côtés du récipient.
3. Secouez ou tapotez légèrement le récipient à sciure pour le vider.

Remplacement du filtre

REMARQUE : Lorsque vous réassemblez les composants, veillez à aligner les logos sur le récipient à sciure, le filtre et la buse d'aspiration de la poussière dans une orientation cohérente.

1. Retirez le récipient à sciure de l'outil.
2. Détachez la buse d'aspiration de la poussière du récipient tout en maintenant enfoncés les loquets de verrouillage des deux côtés du récipient.
► **Fig.16:** 1. Buse d'aspiration de la poussière 2. Récipient à sciure 3. Loquet de verrouillage
3. Tenez le bord supérieur intérieur de l'ouverture en carton et tirez-le vers le bas pour dégager le bord supérieur extérieur de l'ouverture en carton de la languette d'accrochage supérieure sur le rebord du récipient à sciure.

4. Retirez le filtre du récipient à sciure tout en tirant le bord inférieur extérieur de l'ouverture en carton pour le dégager de la languette d'accrochage inférieure.
► **Fig.17:** 1. Filtre 2. Ouverture en carton 3. Languette d'accrochage supérieure 4. Languette d'accrochage inférieure 5. Récipient à sciure

5. Remplacez un filtre en engageant le bord inférieur de l'ouverture en carton dans la languette d'accrochage inférieure et poussez le bord supérieur vers l'intérieur jusqu'à ce qu'il s'enclenche dans la languette d'accrochage supérieure.

► **Fig.18:** 1. Filtre 2. Ouverture en carton 3. Languette d'accrochage supérieure 4. Languette d'accrochage inférieure 5. Récipient à sciure

6. Enclenchez la buse d'aspiration de la poussière tout en maintenant enfoncés les loquets de verrouillage des deux côtés du récipient à sciure.

► **Fig.19:** 1. Buse d'aspiration de la poussière 2. Récipient à sciure 3. Loquet de verrouillage

Installation et retrait du manche avant

Installation

Installez le manche avant sur l'outil avant l'utilisation s'ils sont inclus séparément dans l'emballage. Insérez l'extrémité du manche avant dans la fente sur le carter du moteur, en alignant les contours de l'extrémité du manche avec ceux de la fente.

Poussez et maintenez fermement le manche avant en direction du carter et tournez-le de 90 degrés avec sa surface de saisie tournée vers le haut.

► **Fig.20:** 1. Manche avant 2. Fente 3. Carter du moteur 4. Surface de saisie

ATTENTION : Après l'assemblage, tirez sur le manche avant pour vérifier qu'il est bien fixé.

REMARQUE : Assurez-vous de pousser le manche avant complètement dans l'extrémité de la fente et de le maintenir positionné là où il se trouve pendant la rotation du manche avant. Le non-respect de cette consigne peut endommager l'outil.

Désinstallation

En retirant le manche avant amovible, le ponçage dans les espaces étroits, restreints et difficiles d'accès peut être effectué efficacement.

Maintenez fermement enfoncé le manche avant en direction du carter du moteur et tournez-le de 90 degrés vers la gauche ou la droite. Ensuite, détachez-le de l'outil.

Raccordement à un aspirateur

Accessoire en option

Pour un ponçage propre, raccordez un aspirateur Makita à votre outil. Utilisez un tuyau de 28 mm en option ou une combinaison de manchons avant 22 et du tuyau fourni avec l'aspirateur pour établir un raccordement.

► **Fig.21:** 1. Bec à poussière 2. Manchons avant 3. Tuyau 4. Aspirateur

Installation et retrait du protecteur de la batterie

Accessoire en option

Le protecteur de la batterie est conçu pour protéger la pièce et la batterie.

► **Fig.22:** 1. Protecteur de la batterie

ATTENTION : Ne tenez jamais par la main le protecteur de la batterie lorsque vous transportez l'outil d'un endroit à un autre ou lorsque vous tenez l'outil sans l'utiliser.

NOTE : Le protecteur de la batterie ne peut pas être utilisé avec les batteries fines comme BL1815N et BL1820B.

Pour installer le protecteur de la batterie, suivez les étapes ci-dessous.

1. Insérez la batterie dans le protecteur de la batterie comme illustré sur la figure.

► Fig.23

2. Poussez la batterie dans le protecteur de la batterie de sorte que les bossages dans le protecteur de la batterie s'insèrent dans les trous sur la batterie.

► Fig.24: 1. Trou 2. Bossage

3. Assurez-vous que les quatre coins sont fermement accrochés sur le protecteur de la batterie.

► Fig.25

Pour retirer le protecteur de la batterie, décrochez les quatre coins et extrayez lentement la batterie du protecteur de la batterie de sorte que les bossages sortent des trous sur la batterie. Pendant que vous extrayez la batterie, tenez fermement la batterie et le protecteur de la batterie.

UTILISATION

Opération de ponçage

⚠ ATTENTION : Ne faites jamais fonctionner l'outil sans papier abrasif. Vous risqueriez de gravement endommager le plateau.

⚠ ATTENTION : Ne forcez jamais sur l'outil. Une pression trop importante peut diminuer l'efficacité du ponçage, endommager le papier abrasif et/ou réduire la durée de service de l'outil.

Ponçage des espaces ouverts

1. Tenez fermement l'outil des deux mains, une main sur la poignée et l'autre main sur le manche avant.

2. Mettez l'outil sous tension et attendez qu'il atteigne sa pleine vitesse.

3. Placez délicatement l'outil sur la surface de la pièce.

4. Maintenez l'ensemble du plateau plat et aligné sur la surface et appliquez une légère pression sur l'outil.

► Fig.26

Ponçage des espaces restreints

1. Retirez le manche avant de l'outil.

2. Tenez la poignée d'une main.

3. Mettez l'outil sous tension et attendez qu'il atteigne sa pleine vitesse.

4. Placez délicatement l'outil sur la surface de la pièce.

5. Maintenez l'ensemble du plateau plat et aligné sur la surface et appliquez une légère pression sur l'outil.

6. Déplacez l'outil le long des courbes, des parois et dans d'autres espaces restreints, en ponçant avec les bords avant et d'angle du plateau selon vos besoins.

► Fig.27

FONCTION D'ACTIVATION SANS FIL

Pour le modèle DBO381 uniquement

REMARQUE : La fonction sans fil est uniquement disponible lorsque l'aspirateur compatible est installé.

À quoi sert la fonction d'activation sans fil

La fonction d'activation sans fil offre un fonctionnement propre et confortable. En raccordant un aspirateur compatible à l'outil, vous pouvez déclencher automatiquement l'aspirateur en utilisant l'interrupteur de l'outil.

► Fig.28

Pour utiliser la fonction d'activation sans fil, préparez les éléments suivants :

- Un connecteur sans fil (accessoire en option)
- Un aspirateur compatible avec la fonction d'activation sans fil

Vous trouverez ci-après une vue d'ensemble de la fonction d'activation sans fil. Consultez chaque section pour en savoir plus sur la marche à suivre.

1. Installation du connecteur sans fil
2. Enregistrement de l'outil pour l'aspirateur
3. Démarrage de la fonction d'activation sans fil

Installation du connecteur sans fil

Accessoire en option

⚠ ATTENTION : Placez l'outil sur une surface plane et stable pour y installer le connecteur sans fil.

REMARQUE : Retirez la poussière et la saleté sur l'outil avant d'installer le connecteur sans fil. La poussière ou la saleté peuvent provoquer des dysfonctionnements si elles pénètrent dans la fente sur le connecteur sans fil.

REMARQUE : Pour éviter un dysfonctionnement provoqué par l'électricité statique, touchez un matériau conducteur comme la partie métallique de l'outil, avant de prendre dans vos mains le connecteur sans fil.

REMARQUE : Lorsque vous installez le connecteur sans fil, veillez toujours à l'insérer dans le bon sens et assurez-vous que le couvercle est complètement fermé.

1. Ouvrez le couvercle sur l'outil comme illustré sur la figure.

► Fig.29: 1. Couvercle

2. Insérez le connecteur sans fil dans la fente, puis refermez le couvercle.

Lors de l'insertion du connecteur sans fil, alignez les parties saillantes avec les parties creuses sur la fente.

► Fig.30: 1. Connecteur sans fil 2. Partie saillante 3. Couvercle 4. Partie creuse

Pour retirer le connecteur sans fil, ouvrez lentement le couvercle. Les crochets au dos du couvercle soulèveront le connecteur sans fil à mesure que vous tirez le couvercle vers le haut.

► **Fig.31:** 1. Connecteur sans fil 2. Crochet
3. Couvercle

Après avoir retiré le connecteur sans fil, gardez-le dans l'étui fourni ou dans un récipient anti-statique.

REMARQUE : Utilisez toujours les crochets au dos du couvercle lorsque vous retirez le connecteur sans fil. Si les crochets ne s'attachent pas au connecteur sans fil, fermez complètement le couvercle, puis rouvrez-le lentement.

Enregistrement de l'outil pour l'aspirateur

NOTE : Un aspirateur Makita compatible avec la fonction d'activation sans fil est nécessaire pour l'enregistrement de l'outil.

NOTE : Terminez la mise en place du connecteur sans fil sur l'outil avant de commencer l'enregistrement de l'outil.

NOTE : Pendant l'enregistrement de l'outil, n'enclenchez pas la gâchette, ni ne mettez sous tension l'aspirateur.

NOTE : Consultez aussi le mode d'emploi de l'aspirateur.

Si vous souhaitez activer l'aspirateur en utilisant l'interrupteur de l'outil, terminez d'abord l'enregistrement de l'outil.

1. Insérez les batteries dans l'aspirateur et l'outil.
2. Placez le bouton de veille de l'aspirateur sur « AUTO ».
► **Fig.32:** 1. Bouton de veille
3. Appuyez sur le bouton d'activation sans fil de l'aspirateur pendant 3 secondes jusqu'à ce que le témoin d'activation sans fil clignote en vert. Puis appuyez sur le bouton d'activation sans fil de l'outil de la même façon.
► **Fig.33:** 1. Bouton d'activation sans fil 2. Témoin d'activation sans fil

Si la liaison entre l'aspirateur et l'outil est réussie, les témoins d'activation sans fil s'allumeront en vert pendant 2 secondes et se mettront à clignoter en bleu.

NOTE : Les témoins d'activation sans fil cessent de clignoter en vert au bout de 20 secondes. Appuyez sur le bouton d'activation sans fil de l'outil pendant que le témoin d'activation sans fil de l'aspirateur clignote. Si le témoin d'activation sans fil ne clignote pas en vert, appuyez brièvement sur le bouton d'activation sans fil et maintenez-le à nouveau enfoncé.

NOTE : Si vous effectuez plus de deux enregistrements d'outils pour un seul aspirateur, terminez-les l'un après l'autre.

Démarrage de la fonction d'activation sans fil

NOTE : Terminez l'enregistrement de l'outil pour l'aspirateur avant l'activation sans fil.

NOTE : Consultez aussi le mode d'emploi de l'aspirateur.

Après avoir enregistré un outil sur l'aspirateur, ce dernier se déclenchera automatiquement en utilisant l'interrupteur de l'outil.

1. Installez le connecteur sans fil sur l'outil.
2. Raccordez le tuyau de l'aspirateur à l'outil.

► **Fig.34**

3. Placez le bouton de veille de l'aspirateur sur « AUTO ».

► **Fig.35:** 1. Bouton de veille

4. Appuyez brièvement sur le bouton d'activation sans fil sur l'outil. Le témoin d'activation sans fil clignote en bleu.

► **Fig.36:** 1. Bouton d'activation sans fil 2. Témoin d'activation sans fil

5. Mettez l'outil sous tension. Vérifiez que l'aspirateur fonctionne pendant le fonctionnement de l'outil.

Pour arrêter l'activation sans fil de l'aspirateur, appuyez sur le bouton d'activation sans fil de l'outil.

NOTE : Le témoin d'activation sans fil de l'outil cessera de clignoter en bleu en l'absence d'opérations pendant 2 heures. Dans ce cas, placez le bouton de veille de l'aspirateur sur « AUTO » et appuyez à nouveau sur le bouton d'activation sans fil de l'outil.

NOTE : L'aspirateur démarre/s'arrête avec un léger retard. Il y a un décalage lorsque l'aspirateur détecte l'utilisation de l'interrupteur de l'outil.










NOTE : La distance de transmission du connecteur sans fil peut varier selon l'emplacement et les conditions environnantes.

NOTE : Si plus de deux outils sont enregistrés sur un aspirateur, ce dernier peut se mettre en marche sans que vous le mettiez sous tension, car un autre utilisateur emploie la fonction d'activation sans fil.

Description du statut du témoin d'activation sans fil

► Fig.37: 1. Témoin d'activation sans fil

Le témoin d'activation sans fil indique le statut de la fonction d'activation sans fil. Consultez le tableau ci-dessous pour la signification du statut du témoin.

| Statut | Témoin d'activation sans fil | | | Durée | Description |
|---|------------------------------|--|--|---------------------------------------|--|
| | Couleur |  Allumé |  Clignotant | | |
| Veille | Bleu |  | | 2 heures | L'activation sans fil de l'aspirateur est disponible. Le témoin s'éteint automatiquement en l'absence d'opérations pendant 2 heures. |
| | |  | | Pendant le fonctionnement de l'outil. | L'activation sans fil de l'aspirateur est disponible et l'outil fonctionne. |
| Enregistrement de l'outil | Vert |  | | 20 secondes | Prêt pour l'enregistrement de l'outil. En attente d'enregistrement par l'aspirateur. |
| | |  | | 2 secondes | L'enregistrement de l'outil est terminé. Le témoin d'activation sans fil se met à clignoter en bleu. |
| Annulation de l'enregistrement de l'outil | Rouge |  | | 20 secondes | Prêt pour l'annulation de l'enregistrement de l'outil. En attente d'annulation par l'aspirateur. |
| | |  | | 2 secondes | L'annulation de l'enregistrement de l'outil est terminée. Le témoin d'activation sans fil se met à clignoter en bleu. |
| Autres | Rouge |  | | 3 secondes | Le connecteur sans fil est alimenté en électricité et la fonction d'activation sans fil démarre. |
| | Éteint | - | | - | L'activation sans fil de l'aspirateur est arrêtée. |

Annulation de l'enregistrement de l'outil pour l'aspirateur

Procédez comme indiqué ci-après pour annuler l'enregistrement de l'outil pour l'aspirateur.

1. Insérez les batteries dans l'aspirateur et l'outil.
2. Placez le bouton de veille de l'aspirateur sur « AUTO ».

► Fig.38: 1. Bouton de veille

3. Appuyez sur le bouton d'activation sans fil de l'aspirateur pendant 6 secondes. Le témoin d'activation sans fil clignote en vert, puis devient rouge. Après cela, appuyez sur le bouton d'activation sans fil de l'outil de la même façon.

► Fig.39: 1. Bouton d'activation sans fil 2. Témoin d'activation sans fil

Si l'annulation est réussie, les témoins d'activation sans fil s'allumeront en rouge pendant 2 secondes et se mettront à clignoter en bleu.

NOTE : Les témoins d'activation sans fil arrêtent de clignoter en rouge au bout de 20 secondes. Appuyez sur le bouton d'activation sans fil de l'outil pendant que le témoin d'activation sans fil de l'aspirateur clignote. Si le témoin d'activation sans fil ne clignote pas en rouge, appuyez brièvement sur le bouton d'activation sans fil et maintenez-le à nouveau enfoncé.

Guide de dépannage de la fonction d'activation sans fil

Avant de faire une demande de réparation, effectuez d'abord vous-même une inspection. Si vous rencontrez un problème non documenté dans le mode d'emploi, n'essayez pas de démonter l'outil. Demandez plutôt à un centre de service après-vente Makita agréé d'effectuer la réparation au moyen de pièces de rechange Makita.

| État d'anomalie | Cause probable (dysfonctionnement) | Solution |
|--|--|---|
| Le témoin d'activation sans fil ne s'allume pas ou ne clignote pas. | Le connecteur sans fil n'est pas installé sur l'outil. Le connecteur sans fil est mal installé sur l'outil. | Installez correctement le connecteur sans fil. |
| | La borne du connecteur sans fil et/ou la fente sont sales. | Essayez délicatement la poussière et la saleté sur la borne du connecteur sans fil et nettoyez la fente. |
| | Le bouton d'activation sans fil de l'outil n'a pas été enfoncé. | Appuyez brièvement sur le bouton d'activation sans fil sur l'outil. |
| | Le bouton de veille de l'aspirateur n'est pas placé sur « AUTO ». | Placez le bouton de veille de l'aspirateur sur « AUTO ». |
| | Pas d'alimentation électrique | Mettez sous tension l'outil électrique et l'aspirateur. |
| Impossible de terminer correctement l'enregistrement de l'outil/l'annulation de l'enregistrement de l'outil. | Le connecteur sans fil n'est pas installé sur l'outil. Le connecteur sans fil est mal installé sur l'outil. | Installez correctement le connecteur sans fil. |
| | La borne du connecteur sans fil et/ou la fente sont sales. | Essayez délicatement la poussière et la saleté sur la borne du connecteur sans fil et nettoyez la fente. |
| | Le bouton de veille de l'aspirateur n'est pas placé sur « AUTO ». | Placez le bouton de veille de l'aspirateur sur « AUTO ». |
| | Pas d'alimentation électrique | Mettez sous tension l'outil électrique et l'aspirateur. |
| | Fonctionnement incorrect | Appuyez brièvement sur le bouton d'activation sans fil et recommencez l'enregistrement de l'outil/l'annulation de l'enregistrement de l'outil. |
| | L'outil et l'aspirateur sont éloignés l'un de l'autre (hors de la portée de transmission). | Rapprochez l'outil de l'aspirateur. La distance de transmission maximum est d'environ 10 m, toutefois elle peut varier selon les circonstances. |
| | Avant de terminer l'enregistrement/l'annulation de l'outil ; - l'interrupteur de l'outil est en position de marche ou ; - le bouton d'alimentation de l'aspirateur est placé sur Marche. | Appuyez brièvement sur le bouton d'activation sans fil et recommencez l'enregistrement de l'outil/l'annulation de l'enregistrement de l'outil. |
| | Les procédures d'enregistrement de l'outil pour l'outil ou l'aspirateur ne sont pas terminées. | Procédez à l'enregistrement de l'outil à la fois pour l'outil et l'aspirateur en même temps. |
| L'aspirateur ne se met pas en marche avec l'utilisation de l'interrupteur de l'outil. | Le connecteur sans fil n'est pas installé sur l'outil. Le connecteur sans fil est mal installé sur l'outil. | Installez correctement le connecteur sans fil. |
| | La borne du connecteur sans fil et/ou la fente sont sales. | Essayez délicatement la poussière et la saleté sur la borne du connecteur sans fil et nettoyez la fente. |
| | Le bouton d'activation sans fil de l'outil n'a pas été enfoncé. | Appuyez brièvement sur le bouton d'activation sans fil et assurez-vous que le témoin d'activation sans fil clignote en bleu. |
| | Le bouton de veille de l'aspirateur n'est pas placé sur « AUTO ». | Placez le bouton de veille de l'aspirateur sur « AUTO ». |
| | Plus de 10 outils sont enregistrés sur l'aspirateur. | Recommencez l'enregistrement de l'outil. Si plus de 10 outils sont enregistrés sur l'aspirateur, l'outil enregistré le plus tôt sera automatiquement annulé. |
| | L'aspirateur a effacé tous les enregistrements d'outils. | Recommencez l'enregistrement de l'outil. |
| | Pas d'alimentation électrique | Mettez sous tension l'outil électrique et l'aspirateur. |
| | L'outil et l'aspirateur sont éloignés l'un de l'autre (hors de la portée de transmission). | Rapprochez l'outil de l'aspirateur. La distance de transmission maximum est d'environ 10 m, toutefois elle peut varier selon les circonstances. |
| L'aspirateur fonctionne alors que l'outil ne fonctionne pas. | Interférence radio d'autres appareils qui génèrent des ondes radio puissantes. | Maintenez l'outil et l'aspirateur à l'écart des appareils comme des appareils Wi-Fi et des fours à micro-ondes. |
| | D'autres utilisateurs emploient la fonction d'activation sans fil de l'aspirateur avec leurs outils. | Placez le bouton d'activation sans fil des autres outils sur Arrêt ou annulez l'enregistrement de l'outil des autres outils. |

ENTRETIEN

⚠ ATTENTION : Assurez-vous toujours que l'outil est hors tension et que la batterie est retirée avant d'y effectuer tout travail d'inspection ou d'entretien.

REMARQUE : N'utilisez jamais d'essence, benzine, diluant, alcool ou autre produit similaire. Cela risquerait de provoquer la décoloration, la déformation ou la fissuration de l'outil.

Pour assurer la SÉCURITÉ et la FIABILITÉ du produit, toute réparation, tout travail d'entretien ou de réglage doivent être effectués par un centre d'entretien Makita agréé, avec des pièces de rechange Makita.

Après l'utilisation

Essayez l'outil à intervalles réguliers au moyen d'un chiffon sec ou légèrement imbibé d'eau savonneuse.

ACCESSOIRES EN OPTION

⚠ ATTENTION : Ces accessoires ou pièces complémentaires sont recommandés pour l'utilisation avec l'outil Makita spécifié dans ce mode d'emploi. L'utilisation de tout autre accessoire ou pièce complémentaire peut comporter un risque de blessure. N'utilisez les accessoires ou pièces complémentaires qu'aux fins auxquelles ils ont été conçus.

Pour obtenir plus de détails sur ces accessoires, contactez votre centre d'entretien local Makita.

- Papier abrasif (avec trous pré-perforés)
- Papier abrasif de type autoagrippant
- Porte-poinçon
- Plateau de support (à utiliser avec le papier abrasif de type autoagrippant)
- Plateau de support (à utiliser avec le papier abrasif de type classique)
- Sac à poussière
- Récipient à sciure
- Filtre
- Tuyau
- Connecteur sans fil (Pour le modèle DBO381 uniquement)
- Protecteur de la batterie
- Batterie et chargeur Makita d'origine

NOTE : Il se peut que certains éléments de la liste soient compris dans l'emballage de l'outil en tant qu'accessoires standard. Ils peuvent varier d'un pays à l'autre.

TECHNISCHE DATEN

| Modell: | DBO380 | DBO381 |
|------------------------------|------------------|--------------------------|
| Schleiftellergröße | 93 mm x 185 mm | |
| Schleifpapiergröße | 93 mm x 228 mm | |
| Umdrehungen pro Minute | Hoch | 12.000 min ⁻¹ |
| | Mittel | 8.000 min ⁻¹ |
| | Niedrig | 4.000 min ⁻¹ |
| Gesamtlänge (mit Frontgriff) | 336 mm | |
| Nennspannung | 18 V Gleichstrom | |
| Nettogewicht | 1,9 - 2,2 kg | |

- Wir behalten uns vor, Änderungen der technischen Daten im Zuge der Entwicklung und des technischen Fortschritts ohne vorherige Ankündigung vorzunehmen.
- Die technischen Daten und der Akku können von Land zu Land unterschiedlich sein.
- Das Gewicht kann abhängig von dem Aufsatz (den Aufsätzen), einschließlich des Akkus, unterschiedlich sein. Die leichteste und die schwerste Kombination, gemäß dem EPTA-Verfahren 01/2014, sind in der Tabelle angegeben.

Zutreffende Akkus und Ladegeräte

| | |
|-----------|---|
| Akku | BL1815N / BL1820B / BL1830B / BL1840B / BL1850B / BL1860B |
| Ladegerät | DC18RC / DC18RD / DC18RE / DC18SD / DC18SE / DC18SF / DC18SH / DC18WC |

- Einige der oben aufgelisteten Akkus und Ladegeräte sind je nach Ihrem Wohngebiet eventuell nicht erhältlich.

⚠️ WARNUNG: Verwenden Sie nur die oben aufgeführten Akkus und Ladegeräte. Bei Verwendung irgendwelcher anderer Akkus und Ladegeräte besteht Verletzungs- und/oder Brandgefahr.

Vorgesehene Verwendung

Das Werkzeug ist für das Schleifen großer Flächen von Holz, Kunststoff und Metallmaterial sowie von lackierten Oberflächen vorgesehen.

Geräusch

Typischer A-bewerteter Geräuschpegel ermittelt gemäß EN62841-2-4:

Modell DBO380

Schalldruckpegel (L_{pA}): 72 dB (A)

Messunsicherheit (K): 3 dB (A)

Modell DBO381

Schalldruckpegel (L_{pA}): 72 dB (A)

Messunsicherheit (K): 3 dB (A)

Der Geräuschpegel kann während des Betriebs 80 dB (A) überschreiten.

HINWEIS: Der (Die) angegebene(n) Schallemissionswert(e) wurde(n) im Einklang mit der Standardprüfmethode gemessen und kann (können) für den Vergleich zwischen Werkzeugen herangezogen werden.

HINWEIS: Der (Die) angegebene(n) Schallemissionswert(e) kann (können) auch für eine Vorbewertung des Gefährdungsgrads verwendet werden.

⚠️ WARNUNG: Einen Gehörschutz tragen.

⚠️ WARNUNG: Die Schallemission während der tatsächlichen Benutzung des Elektrowerkzeugs kann je nach der Benutzungsweise des Werkzeugs, und speziell je nach der Art des bearbeiteten Werkstücks, von dem (den) angegebenen Wert(en) abweichen.

⚠️ WARNUNG: Identifizieren Sie Sicherheitsmaßnahmen zum Schutz des Benutzers anhand einer Schätzung des Gefährdungsgrads unter den tatsächlichen Benutzungsbedingungen (unter Berücksichtigung aller Phasen des Arbeitszyklus, wie z. B. Ausschalt- und Leerlaufzeiten des Werkzeugs zusätzlich zur Betriebszeit).

Schwingungen

Schwingungsgesamtwert (Drei-Achsen-Vektorsumme) ermittelt gemäß EN62841-2-4:

Modell DBO380

Arbeitsmodus: Schleifen von Metallplatten

Schwingungsemission (a_h): 3,6 m/s²

Messunsicherheit (K): 1,5 m/s²

Modell DBO381

Arbeitsmodus: Schleifen von Metallplatten

Schwingungsemission (a_h): 3,6 m/s²

Messunsicherheit (K): 1,5 m/s²

HINWEIS: Der (Die) angegebene(n) Vibrationsgesamtwert(e) wurde(n) im Einklang mit der Standardprüfmethode gemessen und kann (können) für den Vergleich zwischen Werkzeugen herangezogen werden.

HINWEIS: Der (Die) angegebene(n) Vibrationsgesamtwert(e) kann (können) auch für eine Vorbewertung des Gefährdungsgrads verwendet werden.

⚠️ WARNUNG: Die Vibrationsemission während der tatsächlichen Benutzung des Elektrowerkzeugs kann je nach der Benutzungsweise des Werkzeugs, und speziell je nach der Art des bearbeiteten Werkstücks, von dem (den) angegebenen Emissionswert(en) abweichen.

⚠️ WARNUNG: Identifizieren Sie Sicherheitsmaßnahmen zum Schutz des Benutzers anhand einer Schätzung des Gefährdungsgrads unter den tatsächlichen Benutzungsbedingungen (unter Berücksichtigung aller Phasen des Arbeitszyklus, wie z. B. Ausschalt- und Leerlaufzeiten des Werkzeugs zusätzlich zur Betriebszeit).

EG-Konformitätserklärung

Nur für europäische Länder

Die EG-Konformitätserklärung ist als Anhang A in dieser Bedienungsanleitung enthalten.

SICHERHEITSWARNUNGEN

Allgemeine Sicherheitswarnungen für Elektrowerkzeuge

⚠️ WARNUNG: Lesen Sie alle mit diesem Elektrowerkzeug gelieferten Sicherheitswarnungen, Anweisungen, Abbildungen und technischen Daten durch. Eine Missachtung der unten aufgeführten Anweisungen kann zu einem elektrischen Schlag, Brand und/oder schweren Verletzungen führen.

Bewahren Sie alle Warnungen und Anweisungen für spätere Bezugnahme auf.

Der Ausdruck „Elektrowerkzeug“ in den Warnhinweisen bezieht sich auf Ihr mit Netzstrom (mit Kabel) oder Akku (ohne Kabel) betriebenes Elektrowerkzeug.

Sicherheitswarnungen für Schleifer

1. Tragen Sie stets eine Sicherheits- oder Schutzbrille. Eine gewöhnliche Brille oder Sonnenbrille ist KEIN Ersatz für eine Sicherheitsbrille.
2. Halten Sie das Werkzeug mit festem Griff.
3. Lassen Sie das Werkzeug nicht unbeaufsichtigt laufen. Benutzen Sie das Werkzeug nur im handgeführten Einsatz.
4. Dieses Werkzeug ist nicht wasserdicht. Benetzen Sie daher die Bearbeitungsfläche nicht mit Wasser.

5. Sorgen Sie für ausreichende Belüftung des Arbeitsplatzes beim Schleifen.
6. Manche Materialien können giftige Chemikalien enthalten. Treffen Sie Vorsichtsmaßnahmen, um das Einatmen von Arbeitsstaub und Hautkontakt zu verhüten. Befolgen Sie die Sicherheitsdaten des Materialherstellers.
7. Der Gebrauch dieses Werkzeugs zum Schleifen bestimmter Produkte, Lacke und Holz kann den Benutzer Staub aussetzen, der gefährliche Substanzen enthält. Verwenden Sie einen geeigneten Atemschutz.
8. Vergewissern Sie sich vor dem Gebrauch, dass der Schleifteller keine Risse oder Brüche aufweist. Risse oder Brüche können Personenschäden verursachen.
9. Achten Sie beim Arbeiten mit dem Werkzeug auf sicheren Stand und Gleichgewicht. Vergewissern Sie sich bei Arbeiten an hohen Orten, dass sich niemand unterhalb aufhält.

BEWAHREN SIE DIESE ANLEITUNG AUF.

⚠️ WARNUNG: Lassen Sie sich NICHT durch Bequemlichkeit oder Vertrautheit mit dem Produkt (durch wiederholten Gebrauch erworben) von der strikten Einhaltung der Sicherheitsregeln für das vorliegende Produkt abhalten. MISSBRAUCH oder Missachtung der Sicherheitsvorschriften in dieser Anleitung können schwere Personenschäden verursachen.

Wichtige Sicherheitsanweisungen für Akku

1. Lesen Sie vor der Benutzung des Akkus alle Anweisungen und Warnhinweise, die an (1) Ladegerät, (2) Akku und (3) Akkuwerkzeug angebracht sind.
2. Unterlassen Sie Zerlegen oder Manipulieren des Akkus. Es kann sonst zu einem Brand, übermäßiger Hitzeentwicklung oder einer Explosion kommen.
3. Falls die Betriebszeit beträchtlich kürzer geworden ist, stellen Sie den Betrieb sofort ein. Anderenfalls besteht die Gefahr von Überhitzung, möglichen Verbrennungen und sogar einer Explosion.
4. Falls Elektrolyt in Ihre Augen gelangt, waschen Sie sie mit sauberem Wasser aus, und begeben Sie sich unverzüglich in ärztliche Behandlung. Anderenfalls können Sie Ihre Sehkraft verlieren.
5. Der Akku darf nicht kurzgeschlossen werden:
 - (1) Die Kontakte dürfen nicht mit leitfähigem Material berührt werden.
 - (2) Lagern Sie den Akku nicht in einem Behälter zusammen mit anderen Metallgegenständen, wie z. B. Nägel, Münzen usw.
 - (3) Setzen Sie den Akku weder Wasser noch Regen aus.Ein Kurzschluss des Akkus verursacht starken Stromfluss, der Überhitzung, mögliche Verbrennungen und einen Defekt zur Folge haben kann.

6. **Lagern und benutzen Sie das Werkzeug und den Akku nicht an Orten, an denen die Temperatur 50 °C erreichen oder überschreiten kann.**
7. **Versuchen Sie niemals, den Akku zu verbrennen, selbst wenn er stark beschädigt oder vollkommen verbraucht ist. Der Akku kann im Feuer explodieren.**
8. **Unterlassen Sie Nageln, Schneiden, Zerquetschen, Werfen, Fallenlassen des Akkus oder Schlagen des Akkus mit einem harten Gegenstand.** Eine solche Handlung kann zu einem Brand, übermäßiger Hitzeentwicklung oder einer Explosion führen.

9. **Benutzen Sie keine beschädigten Akkus.**
10. **Die enthaltenen Lithium-Ionen-Akkus unterliegen den Anforderungen der Gefahrgut-Gesetzgebung.**
Für kommerzielle Transporte, z. B. durch Dritte oder Spediteure, müssen besondere Anforderungen zu Verpackung und Etikettierung beachtet werden.
Zur Vorbereitung des zu transportierenden Artikels ist eine Beratung durch einen Experten für Gefahrgut erforderlich. Bitte beachten Sie möglicherweise ausführlichere nationale Vorschriften. Überkleben oder verdecken Sie offene Kontakte, und verpacken Sie den Akku so, dass er sich in der Verpackung nicht umher bewegen kann.
11. **Entfernen Sie den Akku zum Entsorgen vom Werkzeug, und entsorgen Sie ihn an einem sicheren Ort. Befolgen Sie die örtlichen Vorschriften bezüglich der Entsorgung von Akkus.**

12. **Verwenden Sie die Akkus nur mit den von Makita angegebenen Produkten.** Das Einsetzen der Akkus in nicht konforme Produkte kann zu einem Brand, übermäßiger Hitzebildung, einer Explosion oder Auslaufen von Elektrolyt führen.
13. **Soll das Werkzeug längere Zeit nicht benutzt werden, muss der Akku vom Werkzeug entfernt werden.**
14. **Bei und nach dem Gebrauch kann der Akku heiß werden, was Verbrennungen oder Niedertemperaturverbrennungen verursachen kann. Beachten Sie die Handhabung von heißen Akkus.**
15. **Berühren Sie nicht den Anschlusskontakt des Werkzeugs unmittelbar nach dem Gebrauch, da er heiß genug werden kann, um Verbrennungen zu verursachen.**
16. **Achten Sie darauf, dass sich keine Späne, Staub oder Schmutz in den Anschlusskontakten, Löchern und Nuten des Akkus absetzen.** Es könnte sonst zu Erhitzung, Brandauslösung, Bersten und Funktionsstörungen des Werkzeugs oder des Akkus kommen, was zu Verbrennungen oder Personenschäden führen kann.
17. **Wenn das Werkzeug den Einsatz in der Nähe einer Hochspannungs-Stromleitung nicht unterstützt, benutzen Sie den Akku nicht in der Nähe einer Hochspannungs-Stromleitung.** Dies kann zu einer Funktionsstörung oder Betriebsstörung des Werkzeugs oder des Akkus führen.

18. **Halten Sie die Batterie von Kindern fern.**

DIESE ANWEISUNGEN AUFBEWAHREN.

⚠VORSICHT: Verwenden Sie nur **Original-Makita-Akkus**. Die Verwendung von Nicht-Original-Makita-Akkus oder von Akkus, die abgeändert worden sind, kann zum Bersten des Akkus und daraus resultierenden Bränden, Personenschäden und Beschädigung führen. Außerdem wird dadurch die Makita-Garantie für das Makita-Werkzeug und -Ladegerät ungültig.

Hinweise zur Aufrechterhaltung der maximalen Akku-Nutzungsdauer

1. **Laden Sie den Akku, bevor er vollkommen erschöpft ist. Schalten Sie das Werkzeug stets aus, und laden Sie den Akku, wenn Sie ein Nachlassen der Werkzeugleistung feststellen.**
2. **Unterlassen Sie erneutes Laden eines voll aufgeladenen Akkus. Überladen führt zu einer Verkürzung der Nutzungsdauer des Akkus.**
3. **Laden Sie den Akku bei Raumtemperatur zwischen 10 – 40 °C. Lassen Sie einen heißen Akku abkühlen, bevor Sie ihn laden.**
4. **Wenn Sie den Akku nicht benutzen, nehmen Sie ihn vom Werkzeug oder Ladegerät ab.**
5. **Der Akku muss geladen werden, wenn er lange Zeit (länger als sechs Monate) nicht benutzt wird.**

Wichtige Sicherheitsanweisungen für Funk-Adapter

1. **Unterlassen Sie Zerlegen oder Manipulieren des Funk-Adapters.**
2. **Halten Sie den Funk-Adapter von kleinen Kindern fern. Suchen Sie bei versehentlichem Verschlucken sofort ärztliche Behandlung auf.**
3. **Benutzen Sie den Funk-Adapter nur mit Makita-Werkzeugen.**
4. **Setzen Sie den Funk-Adapter keinem Regen oder Nässe aus.**
5. **Benutzen Sie den Funk-Adapter nicht an Orten, wo die Temperatur 50 °C überschreitet.**
6. **Betreiben Sie den Funk-Adapter nicht an Orten, in deren Nähe sich medizinische Geräte, wie z. B. Herzschrittmacher, befinden.**
7. **Betreiben Sie den Funk-Adapter nicht an Orten, in deren Nähe sich automatisierte Geräte befinden. Bei Betrieb kann in den automatisierten Geräten eine Funktionsstörung oder ein Fehler entstehen.**
8. **Betreiben Sie den Funk-Adapter nicht an Orten unter hohen Temperaturen oder an Orten, wo statische Elektrizität oder elektrisches Rauschen erzeugt werden könnte.**
9. **Der Funk-Adapter kann elektromagnetische Felder (EMF) erzeugen, die aber für den Benutzer nicht gesundheitsschädlich sind.**
10. **Der Funk-Adapter ist ein Präzisionsinstrument. Achten Sie darauf, dass der Funk-Adapter nicht fallen gelassen oder Stößen ausgesetzt wird.**

11. Vermeiden Sie Berühren der Kontakte des Funk-Adapters mit bloßen Händen oder Metallgegenständen.
12. Entfernen Sie stets den Akku vom Produkt, bevor Sie den Funk-Adapter installieren.
13. Öffnen Sie den Deckel des Steckplatzes nicht an Orten, wo Staub und Wasser in den Steckplatz eindringen können. Halten Sie den Einlass des Steckplatzes stets sauber.
14. Führen Sie den Funk-Adapter stets in der korrekten Richtung ein.
15. Drücken Sie nicht zu fest und/oder mit einem scharfkantigen Gegenstand auf die Funk-Aktivierungstaste des Funk-Adapters.
16. Halten Sie den Deckel des Steckplatzes beim Betrieb immer geschlossen.
17. Entfernen Sie den Funk-Adapter nicht aus dem Steckplatz, während das Werkzeug mit Strom versorgt wird. Anderenfalls kann eine Funktionsstörung des Funk-Adapters verursacht werden.
18. Entfernen Sie nicht den Aufkleber vom Funk-Adapter.
19. Kleben Sie keinen anderen Aufkleber auf den Funk-Adapter.
20. Lassen Sie den Funk-Adapter nicht an einem Ort liegen, wo statische Elektrizität oder elektrisches Rauschen erzeugt werden könnte.
21. Lassen Sie den Funk-Adapter nicht an einem Ort liegen, der starker Hitze ausgesetzt ist, wie z. B. in einem in praller Sonne geparkten Auto.
22. Lassen Sie den Funk-Adapter nicht an einem Ort liegen, der Staub oder Puder aufweist, oder an dem ein korrosives Gas erzeugt werden könnte.
23. Plötzliche Temperaturschwankungen können den Funk-Adapter betauen. Benutzen Sie den Funk-Adapter nicht eher, bis der Tau vollständig getrocknet ist.
24. Wischen Sie den Funk-Adapter zum Reinigen sanft mit einem trockenen, weichen Tuch ab. Verwenden Sie kein Waschbenzin, kein leitfähiges Fett, keinen Verdüner oder dergleichen.
25. Bewahren Sie den Funk-Adapter zur Lagerung in der mitgelieferten Schachtel oder einem statikfreien Behälter auf.
26. Führen Sie keine anderen Geräte außer dem Makita-Funk-Adapter in den Steckplatz des Werkzeugs ein.
27. Benutzen Sie das Werkzeug nicht, wenn der Deckel des Steckplatzes beschädigt ist. Wasser, Staub und Schmutz, die in den Steckplatz eindringen, können eine Funktionsstörung verursachen.
28. Ziehen und/oder verdrehen Sie den Deckel des Steckplatzes nicht mehr als nötig. Bringen Sie den Deckel wieder an, falls er sich vom Werkzeug löst.
29. Ersetzen Sie den Deckel des Steckplatzes, falls er verloren geht oder beschädigt wird.

BEWAHREN SIE DIESE ANLEITUNG AUF.

FUNKTIONSBESCHREIBUNG

⚠ VORSICHT: Vergewissern Sie sich vor der Durchführung von Einstellungen oder Funktionsprüfungen des Werkzeugs stets, dass das Werkzeug ausgeschaltet und der Akku abgenommen ist.

Anbringen und Abnehmen des Akkus

⚠ VORSICHT: Schalten Sie das Werkzeug stets aus, bevor Sie den Akku anbringen oder abnehmen.

⚠ VORSICHT: Halten Sie das Werkzeug und den Akku beim Anbringen oder Abnehmen des Akkus sicher fest. Wenn Sie das Werkzeug und den Akku nicht sicher festhalten, können sie Ihnen aus der Hand rutschen, was zu einer Beschädigung des Werkzeugs und des Akkus und zu Körperverletzungen führen kann.

► **Abb.1:** 1. Rote Anzeige 2. Knopf 3. Akku

Ziehen Sie den Akku zum Abnehmen vom Werkzeug ab, während Sie den Knopf an der Vorderseite des Akkus verschieben.

Richten Sie zum Anbringen des Akkus dessen Führungsfeder auf die Nut im Gehäuse aus, und schieben Sie den Akku hinein. Schieben Sie ihn vollständig ein, bis er mit einem leisen Klicken einrastet. Wenn Sie die rote Anzeige sehen können, wie in der Abbildung gezeigt, ist der Akku nicht vollständig verriegelt.

⚠ VORSICHT: Schieben Sie den Akku stets bis zum Anschlag ein, bis die rote Anzeige nicht mehr sichtbar ist. Anderenfalls kann er aus dem Werkzeug herausfallen und Sie oder umstehende Personen verletzen.

⚠ VORSICHT: Unterlassen Sie Gewaltanwendung beim Anbringen des Akkus. Falls der Akku nicht reibungslos hineingleitet, ist er nicht richtig ausgerichtet.

Anzeigen der Akku-Restkapazität

Nur für Akkus mit Anzeige

► **Abb.2:** 1. Anzeigelampen 2. Prüftaste

Drücken Sie die Prüftaste am Akku, um die Akku-Restkapazität anzuzeigen. Die Anzeigelampen leuchten wenige Sekunden lang auf.

| Anzeigelampen | | | Restkapazität |
|---------------|---------|----------|---|
| Erleuchtet | Aus | Blinkend | |
| ■ | □ | ◐ | 75% bis 100% |
| ■ ■ ■ ■ | □ □ □ □ | | 50% bis 75% |
| ■ ■ □ □ | □ □ □ □ | | 25% bis 50% |
| ■ □ □ □ | □ □ □ □ | | 0% bis 25% |
| ◐ □ □ □ | □ □ □ □ | | Den Akku aufladen. |
| ■ ■ □ □ | □ □ □ □ | | Möglicherweise liegt eine Funktionsstörung im Akku vor. |
| □ □ ■ ■ | ■ ■ ■ ■ | ↑ ↓ | |

HINWEIS: Abhängig von den Benutzungsbedingungen und der Umgebungstemperatur kann die Anzeige geringfügig von der tatsächlichen Kapazität abweichen.

HINWEIS: Die erste (äußerste linke) Anzeigelampe blinkt, wenn das Akku-Schutzsystem aktiv ist.

Werkzeug/Akku-Schutzsystem

Das Werkzeug ist mit einem Werkzeug/Akku-Schutzsystem ausgestattet. Dieses System schaltet die Stromversorgung des Motors automatisch ab, um die Lebensdauer von Werkzeug und Akku zu verlängern. Das Werkzeug bleibt während des Betriebs automatisch stehen, wenn das Werkzeug oder der Akku einer der folgenden Bedingungen unterliegt:

Überlastschutz

Wird das Werkzeug oder der Akku auf eine Weise benutzt, die eine ungewöhnlich hohe Stromaufnahme bewirkt, bleibt das Werkzeug ohne jegliche Anzeige automatisch stehen. Schalten Sie in dieser Situation das Werkzeug aus, und brechen Sie die Arbeit ab, die eine Überlastung des Werkzeugs verursacht hat. Schalten Sie dann das Werkzeug wieder ein, um es neu zu starten.

Überhitzungsschutz

Wenn das Werkzeug oder der Akku überhitzt wird, bleibt das Werkzeug automatisch stehen. Lassen Sie das Werkzeug und den Akku in diesem Fall abkühlen, bevor Sie das Werkzeug wieder einschalten.

Überentladungsschutz

Wenn die Akkukapazität unzureichend wird, bleibt das Werkzeug automatisch stehen. Nehmen Sie in diesem Fall den Akku vom Werkzeug ab, und laden Sie ihn auf.

Schalterfunktion

⚠ VORSICHT: Vermeiden Sie das Einschalten des Werkzeugs, während es sich auf dem Werkstück oder auf Ihrer Werkbank befindet. Anderenfalls kann es zu Personenschäden oder Beschädigung kommen.

Ein- und Ausschalten des Werkzeugs

Drücken Sie die Leistungs-/Drehzahlwahltaste oben am Hauptgriff, um das Werkzeug zu starten. Das Werkzeug läuft mit der höchsten Orbitaldrehzahl an. Drücken Sie die Stopptaste, um den Betrieb anzuhalten oder zu beenden.

- **Abb.3:** 1. Leistungs-/Drehzahlwahltaste
2. Stopptaste 3. Hauptgriff

Ändern der Werkzeugdrehzahl

Die Orbitaldrehzahl kann je nach Anwendung und Arbeitsbelastung in drei Modi, d. h. hoch, mittel und niedrig, geändert werden. Drücken Sie die Leistungs-/Drehzahlwahltaste, um den Drehzahlmodus umzuschalten.

- **Abb.4:** 1. Leistungs-/Drehzahlwahltaste

Tabelle der Drehzahleinstellungen

| Drehzahlstufe | Orbitaldrehzahl pro Minute |
|---------------|----------------------------|
| 3 (Hoch) | 12.000 min ⁻¹ |
| 2 (Mittel) | 8.000 min ⁻¹ |
| 1 (Niedrig) | 4.000 min ⁻¹ |

ANMERKUNG: Wird das Werkzeug über längere Zeitspannen im Dauerbetrieb mit niedriger Drehzahl betrieben, führt das zu einer Überlastung des Motors, die eine Funktionsstörung zur Folge haben kann.

ANMERKUNG: Wählen Sie einen geeigneten Drehzahlbereich für Ihre Schleifarbeiten, um Überhitzung und Schmelzen des Werkstücks zu vermeiden. Schleifen mit hoher Orbitaldrehzahl kann das Werkstück erhitzen und an der Kontaktstelle schmelzen.

Elektronikfunktionen

Das Werkzeug ist für komfortablen Betrieb mit Elektronikfunktionen ausgestattet.

Konstantdrehzahlregelung

Diese Funktion dient einer konstanten Orbitaldrehzahl, um ein feines Finish zu erzielen.

MONTAGE

⚠ VORSICHT: Vergewissern Sie sich vor der Ausführung von Arbeiten am Werkzeug stets, dass das Werkzeug ausgeschaltet und der Akku abgenommen ist.

Anbringen und Abnehmen des Schleifpapiers

⚠ VORSICHT: Vergewissern Sie sich vor Gebrauch immer, dass ein Schleifpapierbogen fest installiert ist. Andernfalls kann sich das Papier lockern, leicht entfernt werden und verrutschen, was zu einem ungleichmäßigen Schleifvorgang führt.

Verwendung des mit dem Werkzeug gelieferten Schleifpapiers

- Halten Sie den Klemmhebel am vorderen oder hinteren Ende des Schleiftellers gedrückt, und schieben Sie ihn vom Stopper weg, so dass die Klemme aus ihrer befestigten Position gelöst wird.
 - Ziehen Sie den Klemmhebel so weit wie möglich nach außen, um einen Raum zwischen der Klemme und der Seitenwand der Schleifbasis zu schaffen, in den ein Ende des Schleifpapiers eingeführt werden kann.
- **Abb.5:** 1. Klemmhebel 2. Stopper 3. Klemme 4. Schleifbasis 5. Schleifteiler

3. Legen Sie ein Blatt Schleifpapier über den Schleifteller und richten Sie dabei die Staubabsauglöcher im Papier auf diejenigen im Schleifteller aus.

► **Abb.6:** 1. Schleifpapier 2. Schleifteller
3. Staubabsaugloch

4. Schieben Sie ein Ende des Schleifpapiers in den Zwischenraum zwischen Klemme und Schleifbasis.

5. Stellen Sie den Klemmhebel wieder in eine verriegelte Position, so dass das Ende des Schleifpapiers sicher festgeklemmt ist.

6. Lösen Sie die Klemme am anderen Ende, und halten Sie das andere Ende des Schleifpapiers zum Festklemmen bereit.

7. Behalten Sie eine korrekte Spannung des Schleifpapiers bei, und stellen Sie dann den Klemmhebel am anderen Ende in eine verriegelte Position.

► **Abb.7:** 1. Schleifpapier 2. Klemme 3. Schleifbasis
4. Klemmhebel 5. Stopper

8. Um das Schleifpapier zu entfernen, lösen Sie die Klemmen an beiden Enden, und nehmen Sie das Papier vom Schleifteller ab.

Verwendung von handelsüblichem Schleifpapier

1. Schneiden Sie ein Blatt Schleifpapier auf eine geeignete Größe zu.

► **Abb.8:** 1. Schleifpapier 2. Schleifteller

2. Halten Sie den Klemmhebel am vorderen oder hinteren Ende des Schleiftellers gedrückt, und schieben Sie ihn vom Stopper weg, so dass die Klemme aus ihrer befestigten Position gelöst wird.

3. Ziehen Sie den Klemmhebel so weit wie möglich nach außen, um einen Raum zwischen der Klemme und der Seitenwand der Schleifbasis zu schaffen, in den ein Ende des Schleifpapiers eingeführt werden kann.

4. Schieben Sie ein Ende des Schleifpapiers in den Zwischenraum zwischen Klemme und Schleifbasis.

5. Positionieren Sie das Schleifpapier so, dass es fein auf der Oberfläche des Schleiftellers aufliegt.

6. Stellen Sie den Klemmhebel wieder in eine verriegelte Position, um das Ende des Schleifpapiers sicher festzuklemmen.

7. Lösen Sie die Klemme am anderen Ende, und halten Sie das andere Ende des Schleifpapiers zum Festklemmen bereit.

8. Behalten Sie eine korrekte Spannung des Schleifpapiers bei, und stellen Sie dann den Klemmhebel am anderen Ende in eine verriegelte Position.

► **Abb.9:** 1. Schleifpapier 2. Klemme 3. Schleifbasis
4. Klemmhebel 5. Stopper

9. Bedecken Sie das Schleifpapier mit der Lochungsplatte, die mit ihren Positionierungsstoppern neben der Ecke gut auf zwei der Seitenkanten des Schleiftellers und der Schleifbasis passt.

► **Abb.10:** 1. Schleifpapier 2. Lochungsplatte
3. Positionierungsstopper 4. Schleifteller
5. Schleifbasis

10. Schieben Sie die Lochungsplatte über das Schleifpapier, um Staubabsauglöcher zu erzeugen.

11. Um das Schleifpapier zu entfernen, lösen Sie die Klemmen an beiden Enden, und nehmen Sie das Papier vom Schleifteller ab.

Verwendung von Klett-Schleifpapier

Sonderzubehör

⚠VORSICHT: Achten Sie darauf, dass Sie einen Klett-Schleifteller korrekt und sicher montieren. Lockere Anbringung verursacht eine Unwucht und übermäßige Vibrationen, die zum Verlust der Kontrolle führen können.

⚠VORSICHT: Achten Sie darauf, dass Klett-Schleifteller und Schleifpapier ausgerichtet und sicher befestigt sind.

⚠VORSICHT: Verwenden Sie nur Klett-Schleifpapier. Verwenden Sie niemals druckempfindliches Schleifpapier.

1. Lösen und entfernen Sie die vier Schrauben, mit denen der Schleifteller an der Schleifbasis befestigt ist.

2. Ersetzen Sie den serienmäßigen Schleifteller durch einen optionalen Klett-Schleifteller.

3. Ziehen Sie die Schrauben wieder fest an, um den Klett-Schleifteller zu sichern.

► **Abb.11:** 1. Schrauben 2. Schleifbasis
3. Schleifteller

4. Entfernen Sie alle Verschmutzungen und Fremdkörper vom Klett-Schleifteller.

5. Bringen Sie ein Blatt des optionalen Klett-Schleifpapiers am Schleifteller an, und richten Sie dabei die Staubabsauglöcher im Papier auf diejenigen im Schleifteller aus.

► **Abb.12:** 1. Schleifpapier 2. Schleifteller
3. Staubabsauglöcher

6. Um das Schleifpapier zu entfernen, ziehen Sie es von der Kante ab.

⚠VORSICHT: Der O-Ring kann aus der Schleifbasis herauskommen, während der Schleifteller ausgetauscht wird. Setzen Sie den O-Ring wieder in die Ringnut um die Mitte der Basis ein, bevor Sie den optionalen Schleifteller montieren.

► **Abb.13:** 1. O-Ring 2. Schleifbasis 3. Ringnut

Montieren und Demontieren des Staubsacks

Sonderzubehör

Befestigen Sie den Staubsack auf dem konischen Absaugstutzen am hinteren Ende des Motorgehäuses. Stecken Sie den Staubeinlass des Sackes bis zum Anschlag auf den Absaugstutzen, damit er sich während des Betriebs nicht löst.

► **Abb.14:** 1. Absaugstutzen 2. Staubeinlass
3. Staubsack

HINWEIS: Achten Sie darauf, den Staubsack mit dem Reißverschlusschieber nach unten anzubringen.

HINWEIS: Um eine optimale Staubaufnahme zu gewährleisten, leeren Sie den Staubsack, wenn er etwa zur Hälfte seiner Kapazität gefüllt ist. Entfernen Sie den Staubsack vom Werkzeug, und ziehen Sie den Verschluss heraus. Schütteln oder klopfen Sie dann den Staubsack sachte, um ihn zu entleeren.

Montieren und Demontieren des Staubsammelbehälters

Sonderzubehör

Befestigen Sie den Staubsammelbehälter auf dem konischen Absaugstutzen am hinteren Ende des Motorgehäuses. Stecken Sie die Staubabsaugdüse bis zum Anschlag auf den Absaugstutzen, damit sie sich während des Betriebs nicht löst.

► **Abb.15:** 1. Absaugstutzen 2. Staubabsaugdüse 3. Staubsammelbehälter

HINWEIS: Um eine optimale Staubabscheidung zu gewährleisten, leeren Sie den Staubsammelbehälter, wenn er etwa bis zur Hälfte seiner Kapazität gefüllt ist.

1. Nehmen Sie den Staubsammelbehälter vom Werkzeug ab.
2. Nehmen Sie die Staubabsaugdüse vom Behälter ab, während Sie die Sperrklinken an beiden Seiten des Behälters drücken und halten.
3. Schütteln oder klopfen Sie den Staubsammelbehälter sanft, um ihn zu entleeren.

Austauschen des Filters

ANMERKUNG: Achten Sie beim Zusammenbau der Komponenten darauf, dass die Logos auf Staubabsaugdüse, Filter und Staubabsaugdüse in einer einheitlichen Ausrichtung sind.

1. Nehmen Sie den Staubsammelbehälter vom Werkzeug ab.
2. Nehmen Sie die Staubabsaugdüse vom Behälter ab, während Sie die Sperrklinken an beiden Seiten des Behälters drücken und halten.
► **Abb.16:** 1. Staubabsaugdüse 2. Staubsammelbehälter 3. Sperrklinke
3. Halten Sie die innere Oberkante der Kartonöffnung fest, und ziehen Sie sie nach unten ab, um die äußere Oberkante der Kartonöffnung von der oberen Einhängelasche an der Lippe des Staubsammelbehälters zu lösen.
4. Nehmen Sie den Filter aus dem Staubsammelbehälter heraus, und ziehen Sie dabei die äußere Unterkante der Kartonöffnung von der unteren Einhängelasche frei.
► **Abb.17:** 1. Filter 2. Kartonöffnung 3. Obere Einhängelasche 4. Untere Einhängelasche 5. Staubsammelbehälter

5. Tauschen Sie einen Filter aus, indem Sie die untere Kante der Kartonöffnung in die untere Einhängelasche einrasten und die obere Kante nach innen schieben, bis sie in die obere Einhängelasche einrastet.

► **Abb.18:** 1. Filter 2. Kartonöffnung 3. Obere Einhängelasche 4. Untere Einhängelasche 5. Staubsammelbehälter

6. Rasten Sie die Staubabsaugdüse ein, während Sie die Sperrklinken auf beiden Seiten des Staubsammelbehälters drücken und halten.

► **Abb.19:** 1. Staubabsaugdüse 2. Staubsammelbehälter 3. Sperrklinke

Montieren und Demontieren des Frontgriffs

Montage

Montieren Sie den Frontgriff vor dem Betrieb am Werkzeug, falls dieser separat mitgeliefert wird. Führen Sie das Ende des Frontgriffs in den Schlitz am Motorgehäuse ein, und richten Sie dabei die Konturen des Griffendes an denen des Schlitzes aus. Drücken und halten Sie den Frontgriff fest zum Gehäuse hin und drehen Sie ihn um 90 Grad, so dass seine Grifffläche nach oben zeigt.

► **Abb.20:** 1. Frontgriff 2. Schlitz 3. Motorgehäuse 4. Grifffläche

⚠ VORSICHT: Ziehen Sie nach dem Zusammenbau am Frontgriff, um zu prüfen, ob er sicher zusammenmontiert ist.

ANMERKUNG: Achten Sie darauf, den Frontgriff vollständig in das Schlitzende zu schieben und ihn dort zu halten, während Sie den Frontgriff drehen. Anderenfalls kann es zu einer Beschädigung des Werkzeugs kommen.

Demontage

Durch Abnehmen des abnehmbaren Frontgriffs lassen sich Schleifarbeiten in engen, beengten und schwer zugänglichen Bereichen effektiv durchführen. Drücken und halten Sie den Frontgriff fest in Richtung des Motorgehäuses, und drehen Sie ihn um 90 Grad entweder nach links oder rechts. Ziehen Sie ihn dann vom Werkzeug ab.

Anschließen eines Saugerätes

Sonderzubehör

Um saubere Schleifarbeiten durchzuführen, schließen Sie ein Makita-Sauggerät an Ihr Werkzeug an. Verwenden Sie entweder einen optionalen Schlauch von 28 mm Durchmesser oder eine Kombination aus Frontmanschetten 22 und Schlauch, die mit dem Sauggerät geliefert werden, um eine Verbindung herzustellen.

► **Abb.21:** 1. Absaugstutzen 2. Frontmanschetten 3. Schlauch 4. Sauggerät

Montieren und Demontieren des Akkuschützers

Sonderzubehör

Der Akkuschützer ist zum Schützen des Werkstücks und des Akkus vorgesehen.

► **Abb.22:** 1. Akkuschützer

⚠ VORSICHT: Halten Sie den Akkuschützer niemals in der Hand, wenn Sie das Werkzeug von einem Bereich zu einem anderen tragen, oder wenn Sie das Werkzeug halten, während es nicht in Gebrauch ist.

HINWEIS: Der Akkuschützer kann nicht mit dünnen Akkus, wie BL1815N und BL1820B, verwendet werden.

Führen Sie die folgenden Schritte aus, um den Akkuschützer zu installieren.

1. Setzen Sie den Akku in den Akkuschützer ein, wie in der Abbildung gezeigt.

► **Abb.23**

2. Schieben Sie den Akku so in den Akkuschützer, dass die Zapfen am Akkuschützer in die Löcher des Akkus passen.

► **Abb.24:** 1. Loch 2. Zapfen

3. Achten Sie darauf, dass die vier Ecken fest mit dem Akkuschützer verhakt sind.

► **Abb.25**

Um den Akkuschützer zu entfernen, haken Sie die vier Ecken aus, und ziehen Sie den Akku langsam aus dem Akkuschützer heraus, so dass die Zapfen aus den Löchern am Akku herauskommen. Halten Sie den Akku und den Akkuschützer fest, während Sie den Akku herausziehen.

BETRIEB

Schleifbetrieb

⚠ VORSICHT: Benutzen Sie das Werkzeug niemals ohne Schleifpapier. Der Schleifteller könnte sonst schwer beschädigt werden.

⚠ VORSICHT: Unterlassen Sie jegliche Gewaltanwendung. Übermäßiger Druck kann die Schleifleistung verschlechtern, das Schleifpapier beschädigen und/oder die Lebensdauer des Werkzeugs verkürzen.

Schleifen in offenen Bereichen

1. Halten Sie das Werkzeug mit einer Hand am Handgriff und mit der anderen am Frontgriff fest.

2. Schalten Sie das Werkzeug ein, und warten Sie, bis es seine volle Drehzahl erreicht.

3. Setzen Sie dann das Werkzeug sachte auf die Werkstückoberfläche.

4. Halten Sie den gesamten Schleifteller waagrecht und gleichmäßig auf der Oberfläche und üben Sie leichten Druck auf das Werkzeug aus.

► **Abb.26**

Schleifen in beengten Bereichen

1. Nehmen Sie den Frontgriff vom Werkzeug ab.

2. Halten Sie den Handgriff mit einer Hand.

3. Schalten Sie das Werkzeug ein, und warten Sie, bis es seine volle Drehzahl erreicht.

4. Setzen Sie dann das Werkzeug sachte auf die Werkstückoberfläche.

5. Halten Sie den gesamten Schleifteller waagrecht und gleichmäßig auf der Oberfläche und üben Sie leichten Druck auf das Werkzeug aus.

6. Bewegen Sie das Werkzeug entlang von Kurven, Wandflächen und in anderen engen Räumen und schleifen Sie dabei nach Bedarf mit den Vorder- und Ecken des Schleiftellers.

► **Abb.27**

FUNK-AKTIVIERUNGSFUNKTION

Nur für Modell DBO381

ANMERKUNG: Die Funkfunktion ist nur verfügbar, wenn ein unterstütztes Sauggerät installiert ist.

Mit der Funk-Aktivierungsfunktion verfügbare Möglichkeiten

Die Funk-Aktivierungsfunktion ermöglicht sauberen und komfortablen Betrieb. Wenn Sie ein unterstütztes Sauggerät an das Werkzeug anschließen, können Sie das Sauggerät automatisch mit der Schalterbetätigung des Werkzeugs betreiben.

► **Abb.28**

Um die Funk-Aktivierungsfunktion zu benutzen, benötigen Sie die folgenden Gegenstände:

- Einen Funk-Adapter (Sonderzubehör)
- Ein Sauggerät, das die Funk-Aktivierungsfunktion unterstützt

Die Übersicht über die Einstellung der Funk-Aktivierungsfunktion ist wie folgt. Ausführliche Verfahren entnehmen Sie bitte dem jeweiligen Abschnitt.

1. Installieren des Funk-Adapters
2. Werkzeugregistrierung für das Sauggerät
3. Starten der Funk-Aktivierungsfunktion

Installieren des Funk-Adapters

Sonderzubehör

⚠ VORSICHT: Legen Sie das Werkzeug zum Installieren des Funk-Adapters auf eine ebene und stabile Oberfläche.

ANMERKUNG: Entfernen Sie Staub und Schmutz vom Werkzeug, bevor Sie den Funk-Adapter installieren. Staub oder Schmutz können eine Funktionsstörung verursachen, falls sie in den Steckplatz des Funk-Adapters gelangen.

ANMERKUNG: Um eine durch statische Entladung verursachte Funktionsstörung zu verhindern, berühren Sie ein Statikentladungsmaterial, wie z. B. ein Metallteil des Werkzeugs, bevor Sie den Funk-Adapter anfassen.

ANMERKUNG: Achten Sie beim Installieren des Funk-Adapters immer darauf, dass der Funk-Adapter in der korrekten Richtung eingeführt wird und der Deckel vollständig geschlossen ist.

1. Öffnen Sie den Deckel am Werkzeug, wie in der Abbildung gezeigt.
▶ **Abb.29:** 1. Deckel

2. Führen Sie den Funk-Adapter in den Steckplatz ein, und schließen Sie dann den Deckel.

Wenn Sie den Funk-Adapter einführen, richten Sie die Vorsprünge auf die Vertiefungen des Steckplatzes aus.

▶ **Abb.30:** 1. Funk-Adapter 2. Vorsprung 3. Deckel 4. Vertiefung

Zum Entfernen des Funk-Adapters öffnen Sie den Deckel langsam. Die Haken an der Rückseite des Deckels heben den Funk-Adapter an, wenn Sie den Deckel hochziehen.

▶ **Abb.31:** 1. Funk-Adapter 2. Haken 3. Deckel

Bewahren Sie den Funk-Adapter nach der Entnahme in der mitgelieferten Schachtel oder einem statikfreien Behälter auf.

ANMERKUNG: Verwenden Sie immer die Haken an der Rückseite des Deckels zum Entfernen des Funk-Adapters. Falls die Haken den Funk-Adapter nicht greifen, schließen Sie den Deckel vollständig, und öffnen Sie ihn dann wieder langsam.

Werkzeugregistrierung für das Saugergerät

HINWEIS: Ein Makita-Saugergerät, das die Funk-Aktivierungsfunktion unterstützt, ist für die Werkzeugregistrierung erforderlich.

HINWEIS: Die Installation des Funk-Adapters im Werkzeug muss vollendet sein, bevor mit der Werkzeugregistrierung begonnen wird.

HINWEIS: Unterlassen Sie während der Werkzeugregistrierung die Betätigung des Auslöseschalters oder das Einschalten des Ein-Aus-Schalters am Saugergerät.

HINWEIS: Nehmen Sie auch auf die Betriebsanleitung des Saugergerätes Bezug.

Wenn Sie das Saugergerät zusammen mit der Schalterbetätigung des Werkzeugs aktivieren möchten, müssen Sie zuvor die Werkzeugregistrierung beenden.

1. Setzen Sie die Akkus in das Saugergerät und das Werkzeug ein.
2. Stellen Sie den Bereitschaftsschalter am Saugergerät auf „AUTO“.
▶ **Abb.32:** 1. Bereitschaftsschalter
3. Drücken Sie die Funk-Aktivierungstaste am Saugergerät für 3 Sekunden, bis die Funk-Aktivierungslampe in Grün blinkt. Drücken Sie dann die Funk-Aktivierungstaste am Werkzeug in der gleichen Weise.
▶ **Abb.33:** 1. Funk-Aktivierungstaste
2. Funk-Aktivierungslampe

Wenn Saugergerät und Werkzeug erfolgreich verbunden werden, leuchten die Funk-Aktivierungslampen 2 Sekunden lang in Grün auf und beginnen dann in Blau zu blinken.

HINWEIS: Nach Ablauf von 20 Sekunden hören die Funk-Aktivierungslampen auf, in Grün zu blinken. Drücken Sie die Funk-Aktivierungstaste am Werkzeug, während die Funk-Aktivierungslampe am Staubsauger blinkt. Falls die Funk-Aktivierungslampe nicht in Grün blinkt, drücken Sie die Funk-Aktivierungstaste kurz, und halten Sie sie erneut gedrückt.

HINWEIS: Wenn Sie zwei oder mehr Werkzeugregistrierungen für ein Saugergerät durchführen, beenden Sie die Werkzeugregistrierungen nacheinander.

Starten der Funk-Aktivierungsfunktion

HINWEIS: Beenden Sie die Werkzeugregistrierung für das Saugergerät vor der Funk-Aktivierung.

HINWEIS: Nehmen Sie auch auf die Betriebsanleitung des Saugergerätes Bezug.

Nachdem Sie ein Werkzeug im Saugergerät registriert haben, läuft das Saugergerät automatisch mit der Schalterbetätigung am Werkzeug an.

1. Installieren Sie den Funk-Adapter im Werkzeug.
2. Schließen Sie den Schlauch des Saugergerätes am Werkzeug an.
▶ **Abb.34**
3. Stellen Sie den Bereitschaftsschalter am Saugergerät auf „AUTO“.
▶ **Abb.35:** 1. Bereitschaftsschalter
4. Drücken Sie die Funk-Aktivierungstaste am Werkzeug kurz. Die Funk-Aktivierungslampe blinkt in Blau.
▶ **Abb.36:** 1. Funk-Aktivierungstaste
2. Funk-Aktivierungslampe

5. Schalten Sie das Werkzeug ein. Prüfen Sie, ob das Saugergerät während des Betriebs des Werkzeugs läuft.

Um die Funk-Aktivierung des Saugergerätes zu stoppen, drücken Sie die Funk-Aktivierungstaste am Werkzeug.

HINWEIS: Die Funk-Aktivierungslampe am Werkzeug hört auf, in Blau zu blinken, wenn 2 Stunden lang kein Betrieb erfolgt. Stellen Sie in diesem Fall den Bereitschaftsschalter am Sauggerät auf „AUTO“, und drücken Sie die Funk-Aktivierungstaste am Werkzeug erneut.

HINWEIS: Das Sauggerät startet/stoppt mit einer Verzögerung. Es tritt eine Zeitverzögerung auf, wenn das Sauggerät eine Schalterbetätigung des Werkzeugs erkennt.

HINWEIS: Die Übertragungsreichweite des Funk-Adapters kann abhängig vom Ort und den Umgebungsbedingungen schwanken.

HINWEIS: Wenn zwei oder mehr Werkzeuge in einem Sauggerät registriert sind, kann das Sauggerät anlaufen, selbst wenn Sie Ihr Werkzeug nicht einschalten, weil ein anderer Benutzer die Funk-Aktivierungsfunktion benutzt.

Beschreibung des Zustands der Funk-Aktivierungslampe

► Abb.37: 1. Funk-Aktivierungslampe

Die Funk-Aktivierungslampe zeigt den Zustand der Funk-Aktivierungsfunktion an. Die Bedeutung des Lampenzustands ist aus der nachstehenden Tabelle ersichtlich.

| Zustand | Funk-Aktivierungslampe | | | | Beschreibung |
|------------------------------------|------------------------|-------------------------------------|-----------------------------------|--------------------------|---|
| | Farbe | <input type="checkbox"/> Ein | <input type="checkbox"/> Blinkend | Dauer | |
| Bereitschaft | Blau | <input checked="" type="checkbox"/> | | 2 Stunden | Die Funk-Aktivierung des Sauggerätes ist verfügbar. Die Lampe erlischt automatisch, wenn 2 Stunden lang kein Betrieb erfolgt. |
| | | <input type="checkbox"/> | | Wenn das Werkzeug läuft. | Die Funk-Aktivierung des Sauggerätes ist verfügbar, und das Werkzeug läuft. |
| Werkzeugregistrierung | Grün | <input checked="" type="checkbox"/> | | 20 Sekunden | Bereit für die Werkzeugregistrierung. Warten auf die Registrierung durch das Sauggerät. |
| | | <input type="checkbox"/> | | 2 Sekunden | Die Werkzeugregistrierung ist beendet worden. Die Funk-Aktivierungslampe beginnt, in Blau zu blinken. |
| Aufheben der Werkzeugregistrierung | Rot | <input checked="" type="checkbox"/> | | 20 Sekunden | Bereit für die Aufhebung der Werkzeugregistrierung. Warten auf die Aufhebung durch das Sauggerät. |
| | | <input type="checkbox"/> | | 2 Sekunden | Die Aufhebung der Werkzeugregistrierung ist beendet worden. Die Funk-Aktivierungslampe beginnt, in Blau zu blinken. |
| Sonstiges | Rot | <input type="checkbox"/> | | 3 Sekunden | Der Funk-Adapter wird mit Strom versorgt, und die Funk-Aktivierungsfunktion wird gestartet. |
| | Aus | - | | - | Die Funk-Aktivierung des Sauggerätes ist gestoppt. |

Aufheben der Werkzeugregistrierung für das Sauggerät

Führen Sie das folgende Verfahren durch, um die Werkzeugregistrierung für das Sauggerät aufzuheben.

1. Setzen Sie die Akkus in das Sauggerät und das Werkzeug ein.
2. Stellen Sie den Bereitschaftsschalter am Sauggerät auf „AUTO“.

► **Abb.38:** 1. Bereitschaftsschalter

3. Drücken Sie die Funk-Aktivierungstaste am Sauggerät für 6 Sekunden. Die Funk-Aktivierungslampe blinkt in Grün und wird dann rot. Drücken Sie danach die Funk-Aktivierungstaste am Werkzeug in der gleichen Weise.

► **Abb.39:** 1. Funk-Aktivierungstaste
2. Funk-Aktivierungslampe

Wenn die Aufhebung erfolgreich war, leuchten die Funk-Aktivierungslampen 2 Sekunden lang in Rot auf und beginnen dann in Blau zu blinken.

HINWEIS: Nach Ablauf von 20 Sekunden hören die Funk-Aktivierungslampen auf, in Rot zu blinken. Drücken Sie die Funk-Aktivierungstaste am Werkzeug, während die Funk-Aktivierungslampe am Staubsauger blinkt. Falls die Funk-Aktivierungslampe nicht in Rot blinkt, drücken Sie die Funk-Aktivierungstaste kurz, und halten Sie sie erneut gedrückt.

Fehlersuche für Funk-Aktivierungsfunktion

Bevor Sie den Reparaturdienst anrufen, führen Sie zunächst Ihre eigene Inspektion durch. Falls Sie ein Problem finden, das nicht in der Anleitung erläutert wird, versuchen Sie nicht, das Werkzeug zu zerlegen. Wenden Sie sich stattdessen an autorisierte Makita-Kundendienstzentren, und achten Sie darauf, dass stets Makita-Ersatzteile für Reparaturen verwendet werden.

| Zustand der Unregelmäßigkeit | Wahrscheinliche Ursache (Funktionsstörung) | Abhilfemaßnahme |
|--|--|---|
| Die Funk-Aktivierungslampe leuchtet/blinkt nicht. | Es ist kein Funk-Adapter im Werkzeug installiert. Der Funk-Adapter ist falsch im Werkzeug installiert. | Installieren Sie den Funk-Adapter korrekt. |
| | Die Kontakte des Funk-Adapters und/oder des Steckplatzes sind verschmutzt. | Wischen Sie Staub und Schmutz an den Kontakten des Funk-Adapters sachte ab, und reinigen Sie den Steckplatz. |
| | Die Funk-Aktivierungstaste am Werkzeug ist nicht gedrückt worden. | Drücken Sie die Funk-Aktivierungstaste am Werkzeug kurz. |
| | Der Bereitschaftsschalter am Sauggerät ist nicht auf „AUTO“ eingestellt. | Stellen Sie den Bereitschaftsschalter am Sauggerät auf „AUTO“. |
| | Keine Stromversorgung | Versorgen Sie Werkzeug und Sauggerät mit Strom. |
| Die Werkzeugregistrierung/Aufhebung der Werkzeugregistrierung kann nicht erfolgreich beendet werden. | Es ist kein Funk-Adapter im Werkzeug installiert. Der Funk-Adapter ist falsch im Werkzeug installiert. | Installieren Sie den Funk-Adapter korrekt. |
| | Die Kontakte des Funk-Adapters und/oder des Steckplatzes sind verschmutzt. | Wischen Sie Staub und Schmutz an den Kontakten des Funk-Adapters sachte ab, und reinigen Sie den Steckplatz. |
| | Der Bereitschaftsschalter am Sauggerät ist nicht auf „AUTO“ eingestellt. | Stellen Sie den Bereitschaftsschalter am Sauggerät auf „AUTO“. |
| | Keine Stromversorgung | Versorgen Sie Werkzeug und Sauggerät mit Strom. |
| | Falsche Bedienung | Drücken Sie die Funk-Aktivierungstaste kurz, und führen Sie das Verfahren der Werkzeugregistrierung/Aufhebung der Werkzeugregistrierung erneut durch. |
| | Der Abstand zwischen Werkzeug und Sauggerät ist zu groß (außerhalb der Übertragungreichweite). | Verkleinern Sie den Abstand zwischen Werkzeug und Sauggerät. Die maximale Übertragungreichweite beträgt ungefähr 10 m, sie kann aber je nach den Umständen schwanken. |
| | Bevor Sie die Werkzeugregistrierung/Aufhebung der Werkzeugregistrierung beenden; - der Schalter des Werkzeugs wird eingeschaltet, oder; - die Betriebstaste am Sauggerät wird eingeschaltet. | Drücken Sie die Funk-Aktivierungstaste kurz, und führen Sie das Verfahren der Werkzeugregistrierung/Aufhebung der Werkzeugregistrierung erneut durch. |
| | Die Verfahren der Werkzeugregistrierung für das Werkzeug oder das Sauggerät sind nicht beendet. | Führen Sie die Verfahren der Werkzeugregistrierung sowohl für das Werkzeug als auch das Sauggerät zum selben Zeitpunkt durch. |
| Funkstörungen durch andere Geräte, die starke Funkwellen erzeugen. | Halten Sie das Werkzeug und das Sauggerät von solchen Geräten wie WLAN-Geräten und Mikrowellenöfen fern. | |

| Zustand der Unregelmäßigkeit | Wahrscheinliche Ursache (Funktionsstörung) | Abhilfemaßnahme |
|--|---|--|
| Das Sauggerät läuft bei der Schalterbetätigung des Werkzeugs nicht an. | Es ist kein Funk-Adapter im Werkzeug installiert. Der Funk-Adapter ist falsch im Werkzeug installiert. | Installieren Sie den Funk-Adapter korrekt. |
| | Die Kontakte des Funk-Adapters und/oder des Steckplatzes sind verschmutzt. | Wischen Sie Staub und Schmutz an den Kontakten des Funk-Adapters sachte ab, und reinigen Sie den Steckplatz. |
| | Die Funk-Aktivierungstaste am Werkzeug ist nicht gedrückt worden. | Drücken Sie die Funk-Aktivierungstaste kurz, und vergewissern Sie sich, dass die Funk-Aktivierungslampe in Blau blinkt. |
| | Der Bereitschaftsschalter am Sauggerät ist nicht auf „AUTO“ eingestellt. | Stellen Sie den Bereitschaftsschalter am Sauggerät auf „AUTO“. |
| | Es sind mehr als 10 Werkzeuge im Sauggerät registriert. | Führen Sie die Werkzeugregistrierung erneut durch. Wenn mehr als 10 Werkzeuge im Sauggerät registriert werden, wird die Registrierung des ersten Werkzeugs automatisch gelöscht. |
| | Das Sauggerät hat alle Werkzeugregistrierungen gelöscht. | Führen Sie die Werkzeugregistrierung erneut durch. |
| | Keine Stromversorgung | Versorgen Sie Werkzeug und Sauggerät mit Strom. |
| | Der Abstand zwischen Werkzeug und Sauggerät ist zu groß (außerhalb der Übertragungreichweite). | Verkleinern Sie den Abstand zwischen Werkzeug und Sauggerät. Die maximale Übertragungreichweite beträgt ungefähr 10 m, sie kann aber je nach den Umständen schwanken. |
| | Funkstörungen durch andere Geräte, die starke Funkwellen erzeugen. | Halten Sie das Werkzeug und das Sauggerät von solchen Geräten wie WLAN-Geräten und Mikrowellenöfen fern. |
| Das Sauggerät läuft, während das Werkzeug außer Betrieb ist. | Andere Benutzer nutzen die Funk-Aktivierung des Sauggerätes mit ihren Werkzeugen. | Schalten Sie die Funk-Aktivierungstaste der anderen Werkzeuge aus, oder heben Sie die Werkzeugregistrierung der anderen Werkzeuge auf. |

WARTUNG

⚠ VORSICHT: Vergewissern Sie sich vor der Durchführung von Inspektions- oder Wartungsarbeiten stets, dass das Werkzeug ausgeschaltet und der Akku abgenommen ist.

ANMERKUNG: Verwenden Sie auf keinen Fall Benzin, Waschbenzin, Verdünner, Alkohol oder dergleichen. Solche Mittel können Verfärbung, Verformung oder Rissbildung verursachen.

Um die SICHERHEIT und ZUVERLÄSSIGKEIT dieses Produkts zu gewährleisten, sollten Reparaturen und andere Wartungs- oder Einstellarbeiten nur von Makita-Vertragswerkstätten oder Makita-Kundendienstzentren unter ausschließlicher Verwendung von Makita-Originalersatzteilen ausgeführt werden.

Nach der Benutzung

Wischen Sie das Werkzeug in regelmäßigen Abständen mit einem trockenen oder leicht mit Seifenwasser angefeuchteten Tuch ab.

SONDERZUBEHÖR

⚠ VORSICHT: Die folgenden Zubehörteile oder Vorrichtungen werden für den Einsatz mit dem in dieser Anleitung beschriebenen Makita-Werkzeug empfohlen. Die Verwendung anderer Zubehörteile oder Vorrichtungen kann eine Verletzungsgefahr darstellen. Verwenden Sie Zubehörteile oder Vorrichtungen nur für ihren vorgesehenen Zweck.

Wenn Sie weitere Einzelheiten bezüglich dieser Zubehörteile benötigen, wenden Sie sich bitte an Ihre Makita-Kundendienststelle.

- Schleifpapier (mit vorgestanzten Löchern)
- Klettverschluss-Schleifpapier
- Lochungsplatte
- Schleifteller (für Klettverschluss-Schleifpapier)
- Schleifteller (für herkömmliches Schleifpapier)
- Staubbeutel
- Staubbox
- Filter
- Schlauch
- Funk-Adapter (Nur für Modell DBO381)
- Akkuschilder
- Original-Makita-Akku und -Ladegerät

HINWEIS: Manche Teile in der Liste können als Standardzubehör im Werkzeugsatz enthalten sein. Sie können von Land zu Land unterschiedlich sein.

DATI TECNICI

| Modello: | | DBO380 | DBO381 |
|---|-------|--------------------------|--------|
| Dimensioni platorello | | 93 mm x 185 mm | |
| Dimensioni carta abrasiva | | 93 mm x 228 mm | |
| Orbite (giri) al minuto | Alta | 12.000 min ⁻¹ | |
| | Media | 8.000 min ⁻¹ | |
| | Bassa | 4.000 min ⁻¹ | |
| Lunghezza complessiva (con impugnatura anteriore) | | 336 mm | |
| Tensione nominale | | 18 V C.C. | |
| Peso netto | | Da 1,9 a 2,2 kg | |

- A causa del nostro programma continuativo di ricerca e sviluppo, i dati tecnici sono soggetti a modifiche senza preavviso.
- I dati tecnici e la cartuccia della batteria potrebbero differire da nazione a nazione.
- Il peso può variare a seconda dell'accessorio o degli accessori, inclusa la cartuccia della batteria. La combinazione più leggera e quella più pesante, secondo la procedura EPTA 01/2014, sono indicate nella tabella.

Cartuccia della batteria e caricabatterie applicabili

| | |
|--------------------------|---|
| Cartuccia della batteria | BL1815N / BL1820B / BL1830B / BL1840B / BL1850B / BL1860B |
| Caricabatterie | DC18RC / DC18RD / DC18RE / DC18SD / DC18SE / DC18SF / DC18SH / DC18WC |

- Alcune cartucce delle batterie e alcuni caricabatterie elencati sopra potrebbero non essere disponibili a seconda della propria area geografica di residenza.

⚠AVVERTIMENTO: Utilizzare solo le cartucce delle batterie e i caricabatterie elencati sopra. L'utilizzo di altre cartucce delle batterie e di altri caricabatterie potrebbe causare lesioni personali e/o un incendio.

Utilizzo previsto

Questo utensile serve alla smerigliatura di grandi superfici di legno, plastica e metallo, nonché di superfici verniciate.

Rumore

Livello tipico di rumore pesato A determinato in base allo standard EN62841-2-4:

Modello DBO380

Livello di pressione sonora (L_{pA}) : 72 dB (A)
Incertezza (K): 3 dB (A)

Modello DBO381

Livello di pressione sonora (L_{pA}) : 72 dB (A)
Incertezza (K): 3 dB (A)

Il livello del rumore nelle condizioni di lavoro può superare gli 80 dB (A).

NOTA: Il valore o i valori dichiarati delle emissioni di rumori sono stati misurati in conformità a un metodo standard di verifica, e possono essere utilizzati per confrontare un utensile con un altro.

NOTA: Il valore o i valori dichiarati delle emissioni di rumori possono venire utilizzati anche per una valutazione preliminare dell'esposizione.

⚠AVVERTIMENTO: Indossare protezioni per le orecchie.

⚠AVVERTIMENTO: L'emissione di rumori durante l'utilizzo effettivo dell'utensile elettrico può variare rispetto al valore o ai valori dichiarati, a seconda dei modi in cui viene utilizzato l'utensile e specialmente a seconda di che tipo di pezzo venga lavorato.

⚠AVVERTIMENTO: Accertarsi di identificare misure di sicurezza per la protezione dell'operatore che siano basate su una stima dell'esposizione nelle condizioni effettive di utilizzo (tenendo conto di tutte le parti del ciclo operativo, ad esempio del numero di spegnimenti dell'utensile e di quando giri a vuoto, oltre al tempo di attivazione).

Vibrazioni

Valore totale delle vibrazioni (somma vettoriale triassiale) determinato in base allo standard EN62841-2-4:

Modello DBO380

Modalità di lavoro: smerigliatura di piastre metalliche
Emissione di vibrazioni (a_{h1}) : 3,6 m/s²
Incertezza (K): 1,5 m/s²

Modello DBO381

Modalità di lavoro: smerigliatura di piastre metalliche
Emissione di vibrazioni (a_{h1}) : 3,6 m/s²
Incertezza (K): 1,5 m/s²

NOTA: Il valore o i valori complessivi delle vibrazioni dichiarati sono stati misurati in conformità a un metodo standard di verifica, e possono essere utilizzati per confrontare un utensile con un altro.

NOTA: Il valore o i valori complessivi delle vibrazioni dichiarati possono venire utilizzati anche per una valutazione preliminare dell'esposizione.

⚠AVVERTIMENTO: L'emissione delle vibrazioni durante l'utilizzo effettivo dell'utensile elettrico può variare rispetto al valore o ai valori dichiarati, a seconda dei modi in cui viene utilizzato l'utensile, specialmente a seconda di che tipo di pezzo venga lavorato.

⚠AVVERTIMENTO: Accertarsi di identificare misure di sicurezza per la protezione dell'operatore che siano basate su una stima dell'esposizione nelle condizioni effettive di utilizzo (tenendo conto di tutte le parti del ciclo operativo, ad esempio del numero di spegnimenti dell'utensile e di quando giri a vuoto, oltre al tempo di attivazione).

Dichiarazione di conformità CE

Solo per i paesi europei

La dichiarazione di conformità CE è inclusa nell'Allegato A al presente manuale di istruzioni.

AVVERTENZE DI SICUREZZA

Avvertenze generali relative alla sicurezza dell'utensile elettrico

⚠AVVERTIMENTO: Leggere tutte le avvertenze di sicurezza, le istruzioni, le illustrazioni e i dati tecnici forniti con il presente utensile elettrico. La mancata osservanza di tutte le istruzioni elencate di seguito potrebbe risultare in scosse elettriche, incendi e/o gravi lesioni personali.

Conservare tutte le avvertenze e le istruzioni come riferimento futuro.

Il termine "utensile elettrico" nelle avvertenze si riferisce sia all'utensile elettrico (cablato) nel funzionamento alimentato da rete elettrica che all'utensile elettrico (a batteria) nel funzionamento alimentato a batteria.

Avvertenze di sicurezza relative alla levigatrice

1. Utilizzare sempre occhiali oppure occhialoni di sicurezza. I normali occhiali o gli occhiali da sole NON sono occhiali di sicurezza.
2. Tenere saldamente l'utensile.
3. Non lasciare l'utensile mentre è in funzione. Far funzionare l'utensile solo mentre viene tenuto in mano.
4. Questo utensile non è impermeabile, pertanto non utilizzare acqua sulla superficie del pezzo.

5. Ventilare adeguatamente l'area di lavoro durante le operazioni di smerigliatura.
6. Alcuni materiali contengono sostanze chimiche che potrebbero essere tossiche. Adottare delle precauzioni per evitare l'inalazione o il contatto con la pelle delle polveri. Attenersi ai dati relativi alla sicurezza forniti dal produttore del materiale.
7. L'utilizzo del presente utensile per smerigliare alcuni prodotti, vernici e legni potrebbe esporre l'utente a polveri contenenti sostanze pericolose. Utilizzare protezioni appropriate per le vie respiratorie.
8. Accertarsi che sul platorello non siano presenti fessurazioni o spaccature prima di utilizzarlo. Un pezzo che presenti fessurazioni o spaccature potrebbe causare lesioni personali.
9. Fare attenzione all'appoggio sui piedi e mantenere l'equilibrio con l'utensile. Quando si intende lavorare in ubicazioni elevate, accertarsi che non siano presenti persone sotto di sé.

CONSERVARE LE PRESENTI ISTRUZIONI.

⚠AVVERTIMENTO: NON lasciare che comoda o la familiarità d'utilizzo con il prodotto (acquisita con l'uso ripetuto) sostituisca la stretta osservanza delle norme di sicurezza per il prodotto in questione. L'USO IMPROPRIO o la mancata osservanza delle norme di sicurezza indicate nel presente manuale di istruzioni potrebbero causare gravi lesioni personali.

Istruzioni di sicurezza importanti per la cartuccia della batteria

1. Prima di utilizzare la cartuccia della batteria, leggere tutte le istruzioni e le avvertenze riportate (1) sul caricabatteria, (2) sulla batteria e (3) sul prodotto che utilizza la batteria.
2. Non smantellare né manomettere la cartuccia della batteria. In caso contrario, si potrebbe causare un incendio, calore eccessivo o un'esplosione.
3. Qualora il tempo di utilizzo si riduca eccessivamente, interrompere immediatamente l'utilizzo dell'utensile. In caso contrario, si può incorrere nel rischio di surriscaldamento, possibili ustioni e persino un'esplosione.
4. Qualora l'elettrolita entri in contatto con gli occhi, sciacquarli con acqua pulita e richiedere immediatamente assistenza medica. Questa eventualità può risultare nella perdita della vista.
5. Non cortocircuitare la cartuccia della batteria:
 - (1) Non toccare i terminali con alcun materiale conduttivo.
 - (2) Evitare di conservare la cartuccia della batteria in un contenitore insieme ad altri oggetti metallici quali chiodi, monete, e così via.
 - (3) Non esporre la cartuccia della batteria all'acqua o alla pioggia.

Un cortocircuito della batteria può causare un grande flusso di corrente, un surriscaldamento, possibili ustioni e persino un guasto.

6. **Non conservare e utilizzare l'utensile e la cartuccia della batteria in ubicazioni in cui la temperatura possa raggiungere o superare i 50°C.**
7. **Non incenerire la cartuccia della batteria anche qualora sia gravemente danneggiata o completamente esaurita. La cartuccia della batteria può esplodere se a contatto con il fuoco.**
8. **Non inchiodare, tagliare, schiacciare, lanciare o far cadere la cartuccia della batteria, né farla urtare con forza contro un oggetto duro.** Questi comportamenti potrebbero risultare in un incendio, calore eccessivo o un'esplosione.
9. **Non utilizzare una batteria danneggiata.**
10. **Le batterie a ioni di litio contenute sono soggette ai requisiti del regolamento sul trasporto di merci pericolose (Dangerous Goods Legislation).**
Per trasporti commerciali, ad esempio da parte di terzi o spedizionieri, è necessario osservare dei requisiti speciali sull'imballaggio e sull'etichetta. Per la preparazione dell'articolo da spedire, è richiesta la consulenza di un esperto in materiali pericolosi. Attenersi anche alle normative nazionali, che potrebbero essere più dettagliate. Nastrare o coprire i contatti aperti e imballare la batteria in modo tale che non si possa muovere liberamente all'interno dell'imballaggio.
11. **Quando si intende smaltire la cartuccia della batteria, rimuoverla dall'utensile e smaltirla in un luogo sicuro. Attenersi alle normative locali relative allo smaltimento della batteria.**
12. **Utilizzare le batterie esclusivamente con i prodotti specificati da Makita.** L'installazione delle batterie in prodotti non compatibili potrebbe risultare in incendi, calore eccessivo, esplosioni o perdite di liquido elettrolitico.
13. **Se l'utensile non viene utilizzato per un periodo di tempo prolungato, la batteria deve essere rimossa dall'utensile.**
14. **Durante e dopo l'uso, la cartuccia della batteria potrebbe assorbire calore, che può causare ustioni o ustioni a bassa temperatura. Fare attenzione a come si maneggiano le cartucce delle batterie estremamente calde.**
15. **Non toccare i terminali dell'utensile subito dopo l'uso, in quanto potrebbero diventare estremamente caldi al punto da causare ustioni.**
16. **Evitare di far incastrare schegge, polveri o terreno nei terminali, nei fori e nelle scanalature della cartuccia della batteria.** In caso contrario, l'utensile o la cartuccia della batteria potrebbero riscaldarsi, prendere fuoco, scoppiare o guastarsi, causando ustioni o lesioni personali.
17. **A meno che l'utensile supporti l'uso in prossimità di linee elettriche ad alta tensione, non utilizzare la cartuccia della batteria in prossimità di linee elettriche ad alta tensione.** In caso contrario, si potrebbe causare un malfunzionamento o la rottura dell'utensile o della cartuccia della batteria.

18. **Tenere la batteria lontana dai bambini.**

CONSERVARE LE PRESENTI ISTRUZIONI.

ATTENZIONE: Utilizzare solo batterie originali Makita. L'utilizzo di batterie Makita non originali, o di batterie che siano state alterate, potrebbe risultare nello scoppio della batteria, causando incendi, lesioni personali e danni. Inoltre, ciò potrebbe invalidare la garanzia Makita per l'utensile e il caricabatterie Makita.

Suggerimenti per preservare la durata massima della batteria

1. **Caricare la cartuccia della batteria prima che si scarichi completamente. Smettere sempre di utilizzare l'utensile e caricare la cartuccia della batteria quando si nota che la potenza dell'utensile è diminuita.**
2. **Non ricaricare mai una cartuccia della batteria completamente carica. La sovraccarica riduce la vita utile della batteria.**
3. **Caricare la cartuccia della batteria a una temperatura ambiente compresa tra 10 °C e 40 °C. Lasciar raffreddare una cartuccia della batteria prima di caricarla.**
4. **Quando non si utilizza la cartuccia della batteria, rimuoverla dall'utensile o dal caricabatterie.**
5. **Caricare la cartuccia della batteria se non la si è utilizzata per un periodo di tempo prolungato (più di sei mesi).**

Istruzioni importanti per la sicurezza dell'unità senza fili

1. **Non smontare né manomettere l'unità senza fili.**
2. **Tenere l'unità senza fili lontana dai bambini piccoli. Qualora venga inghiottita accidentalmente, richiedere immediatamente assistenza medica.**
3. **Utilizzare l'unità senza fili esclusivamente con utensili Makita.**
4. **Non esporre l'unità senza fili alla pioggia o a condizioni di bagnato.**
5. **Non utilizzare l'unità senza fili in luoghi in cui la temperatura superi i 50 °C.**
6. **Non utilizzare l'unità senza fili in luoghi in cui siano presenti strumenti medici, ad esempio pacemaker, nelle vicinanze.**
7. **Non utilizzare l'unità senza fili in luoghi in cui siano presenti dispositivi automatizzati nelle vicinanze. In caso contrario, i dispositivi automatizzati potrebbero sviluppare un malfunzionamento o un errore.**
8. **Non far funzionare l'unità senza fili in ubicazioni con temperatura ambiente elevata o in ubicazioni in cui potrebbero venire generati elettricità statica o disturbi elettrici.**
9. **L'unità senza fili può produrre campi elettromagnetici (EMF) ma questi ultimi non sono dannosi per l'utente.**

10. L'unità senza fili è uno strumento preciso. Fare attenzione a non far cadere e a non colpire l'unità senza fili.
11. Evitare di toccare il terminale dell'unità senza fili a mani nude o con materiali metallici.
12. Rimuovere sempre la batteria sul prodotto quando si intende installare su quest'ultimo l'unità senza fili.
13. Quando si intende aprire il coperchio dell'alloggiamento, evitare ubicazioni in cui polvere e acqua potrebbero penetrare nell'alloggiamento. Mantenere sempre l'apertura di entrata dell'alloggiamento pulita.
14. Inserire sempre l'unità senza fili nella direzione corretta.
15. Non premere con forza eccessiva il pulsante di attivazione della comunicazione senza fili sull'unità senza fili, né premere il pulsante con un oggetto dal bordo affilato.
16. Chiudere sempre il coperchio dell'alloggiamento durante il funzionamento.
17. Non rimuovere l'unità senza fili dall'alloggiamento mentre viene fornita l'alimentazione all'utensile. In caso contrario, si potrebbe causare un malfunzionamento dell'unità senza fili.
18. Non rimuovere l'adesivo sull'unità senza fili.
19. Non applicare alcun adesivo sull'unità senza fili.
20. Non lasciare l'unità senza fili in un'ubicazione in cui potrebbero venire generati elettricità statica o disturbi elettrici.
21. Non lasciare l'unità senza fili in ubicazioni soggette a calore elevato, ad esempio in un'auto parcheggiata al sole.
22. Non lasciare l'unità senza fili in ubicazioni polverose o in ubicazioni in cui potrebbero venire generati gas corrosivi.
23. Una variazione improvvisa di temperatura potrebbe far bagnare di condensa l'unità senza fili. Non utilizzare l'unità senza fili fino alla completa asciugatura della condensa.
24. Quando si intende pulire l'unità senza fili, passarvi sopra delicatamente un panno morbido asciutto. Non utilizzare benzina per pulizia, diluenti, grasso conduttivo o simili.
25. Quando si intende riporre l'unità senza fili, conservarla nella custodia in dotazione o in un contenitore antistatico.
26. Non inserire alcun dispositivo diverso dall'unità senza fili Makita nell'alloggiamento presente sull'utensile.
27. Non utilizzare l'utensile con il coperchio dell'alloggiamento danneggiato. Qualora nell'alloggiamento penetrino acqua, polvere e sporco, potrebbero causare un malfunzionamento.
28. Non tirare né attorcigliare il coperchio dell'alloggiamento oltre il necessario. Qualora il coperchio si stacchi dall'utensile, riapplicarlo.
29. Qualora il coperchio dell'alloggiamento vada perso o venga danneggiato, sostituirlo.

CONSERVARE LE PRESENTI ISTRUZIONI.

DESCRIZIONE DELLE FUNZIONI

⚠ATTENZIONE: Accertarsi sempre che l'utensile sia spento e che la cartuccia della batteria sia stata rimossa prima di regolare o di controllare il funzionamento dell'utensile.

Installazione o rimozione della cartuccia della batteria

⚠ATTENZIONE: Spegnerne sempre l'utensile prima di installare o rimuovere la cartuccia della batteria.

⚠ATTENZIONE: Mantenere saldamente lo strumento e la batteria quando si intende installare o rimuovere la cartuccia della batteria. Qualora non si mantengano saldamente lo strumento e la cartuccia della batteria, questi ultimi potrebbero scivolare dalle mani, con la possibilità di causare un danneggiamento dello strumento e della cartuccia della batteria, nonché una lesione personale.

► Fig. 1: 1. Indicatore rosso 2. Pulsante 3. Cartuccia della batteria

Per rimuovere la cartuccia della batteria, farla scorrere via dall'utensile mentre si fa scorrere allo stesso tempo il pulsante sulla parte anteriore della cartuccia.

Per installare la cartuccia della batteria, allineare la linguetta sulla cartuccia della batteria con la scanalatura nell'alloggiamento e farla scivolare in sede. Inserirla completamente fino al suo blocco in sede con un leggero scatto. Se è possibile vedere l'indicatore rosso, come indicato nella figura, non è bloccata completamente.

⚠ATTENZIONE: Installare sempre fino in fondo la cartuccia della batteria, fino a quando l'indicatore rosso non è più visibile. In caso contrario, la batteria potrebbe cadere accidentalmente dall'utensile, causando lesioni personali all'operatore o a chi gli è vicino.

⚠ATTENZIONE: Non installare forzatamente la cartuccia della batteria. Qualora la batteria non si inserisca scorrendo agevolmente, vuol dire che non viene inserita correttamente.

Indicazione della carica residua della batteria

Solo per cartucce delle batterie dotate di indicatore

► **Fig.2:** 1. Indicatori luminosi 2. Pulsante di controllo

Premere il pulsante di controllo sulla cartuccia della batteria per indicare la carica residua della batteria. Gli indicatori luminosi si illuminano per alcuni secondi.

| Indicatori luminosi | | | Carica residua |
|---------------------|--------|--------------|--|
| ■ | □ | ◐ | |
| Illuminato | Spento | Lampeggiante | |
| ■ ■ ■ ■ | | | Dal 75% al 100% |
| ■ ■ ■ □ | | | Dal 50% al 75% |
| ■ ■ □ □ | | | Dal 25% al 50% |
| ■ □ □ □ | | | Dallo 0% al 25% |
| ◐ □ □ □ | | | Caricare la batteria. |
| ■ ■ □ □ | | | La batteria potrebbe essersi guastata. |
| □ □ ■ ■ | | | |

NOTA: A seconda delle condizioni d'uso e della temperatura ambiente, l'indicazione potrebbe variare leggermente rispetto alla carica effettiva.

NOTA: Il primo indicatore luminoso (all'estremità sinistra) lampeggia quando il sistema di protezione della batteria è in funzione.

Sistema di protezione strumento/batteria

L'utensile è dotato di un sistema di protezione dell'utensile stesso e della batteria. Tale sistema interrompe automaticamente l'alimentazione al motore per prolungare la vita utile dell'utensile e della batteria. L'utensile si arresta automaticamente durante il funzionamento, qualora l'utensile o la batteria vengano a trovarsi in una delle condizioni seguenti:

Protezione dal sovraccarico

Quando l'utensile o la batteria vengono fatti funzionare in un modo che causi un assorbimento di corrente elevato in modo anomalo, l'utensile si arresta automaticamente senza alcuna indicazione. In questa circostanza, spegnere l'utensile e interrompere l'applicazione che ha causato il sovraccarico dell'utensile. Quindi, accendere l'utensile per ricominciare.

Protezione dal surriscaldamento

Quando l'utensile o la batteria sono surriscaldati, l'utensile si arresta automaticamente. In questo caso, lasciar raffreddare l'utensile e la batteria prima di riaccendere l'utensile.

Protezione dalla sovrascarica

Quando la carica della batteria non è sufficiente, l'utensile si arresta automaticamente. In tal caso, rimuovere la batteria dall'utensile e caricarla.

Funzionamento dell'interruttore

ATTENZIONE: Evitare di accendere l'utensile mentre è appoggiato sul pezzo in lavorazione o sul banco da lavoro utilizzato. In caso contrario, si potrebbero causare lesioni personali o danni alle cose.

Accensione e spegnimento dell'utensile

Per avviare l'utensile, premere il pulsante di accensione/selezione velocità sulla parte superiore del manico principale. L'utensile inizia a funzionare alla sua velocità orbitale più alta.

Per mettere in pausa o arrestare il funzionamento, premere il pulsante di arresto.

► **Fig.3:** 1. Pulsante di accensione/selezione velocità
2. Pulsante di arresto 3. Manico principale

Modifica della velocità dell'utensile

È possibile cambiare la velocità orbitale attraverso tre modalità, alta, media e bassa, a seconda dell'applicazione e del carico di lavoro.

Per commutare la modalità di velocità, premere il pulsante di accensione/selezione velocità.

► **Fig.4:** 1. Pulsante di accensione/selezione velocità

Tabella delle impostazioni di velocità

| Livello di velocità | Orbite al minuto |
|---------------------|--------------------------|
| 3 (alta) | 12.000 min ⁻¹ |
| 2 (media) | 8.000 min ⁻¹ |
| 1 (bassa) | 4.000 min ⁻¹ |

AVVISO: Qualora l'utensile venga fatto funzionare in maniera continuativa a basse velocità per un periodo di tempo prolungato, il motore si sovraccarica, causando il malfunzionamento dell'utensile.

AVVISO: Selezionare una gamma di velocità appropriata alle operazioni di smerigliatura da effettuare, per evitare il surriscaldamento e la fusione del pezzo in lavorazione. La smerigliatura a un'elevata velocità orbitale potrebbe riscaldare il pezzo in lavorazione e fonderlo nel punto di contatto.

Funzione elettronica

L'utensile è dotato di una funzione elettronica, per un facile utilizzo.

Controllo costante della velocità

Tale funzione produce una velocità orbitale costante, per ottenere la finitura.

MONTAGGIO

⚠ATTENZIONE: Accertarsi sempre che l'utensile sia spento e che la cartuccia della batteria sia stata rimossa, prima di effettuare qualsiasi intervento sull'utensile.

Installazione e rimozione della carta abrasiva

⚠ATTENZIONE: Prima dell'uso, accertarsi sempre che un foglio di carta abrasiva sia installato saldamente. In caso contrario, la carta potrebbe allentarsi, staccarsi facilmente ed essere soggetta a scivolamenti, causando operazioni di smerigliatura non uniformi.

Uso della carta abrasiva fornita in dotazione con l'utensile

1. Premere e tenere premuta verso il basso la leva del morsetto all'estremità anteriore o posteriore del platorello, quindi farla scorrere per allontanarla dal fermo, in modo da sbloccare il morsetto dalla posizione chiusa.

2. Tirare la leva del morsetto verso l'esterno il più possibile, per creare uno spazio tra il morsetto e la parete laterale della base di smerigliatura, in cui sia possibile inserire un'estremità della carta abrasiva.

► Fig.5: 1. Leva del morsetto 2. Fermo 3. Morsetto 4. Base di smerigliatura 5. Platorello

3. Posizionare un foglio di carta abrasiva sul platorello, allineando i fori di aspirazione delle polveri nella carta con quelli presenti nel platorello.

► Fig.6: 1. Carta abrasiva 2. Platorello 3. Foro di aspirazione delle polveri

4. Far scivolare un'estremità della carta abrasiva nello spazio tra il morsetto e la base di smerigliatura.

5. Riposizionare la leva del morsetto in una posizione bloccata, in modo da serrare saldamente l'estremità della carta abrasiva.

6. Sbloccare il morsetto sull'altra estremità, e preparare l'altra estremità della carta abrasiva per serrarla.

7. Mantenere una tensione corretta sulla carta abrasiva, quindi impostare la leva del morsetto sull'altra estremità in una posizione bloccata.

► Fig.7: 1. Carta abrasiva 2. Morsetto 3. Base di smerigliatura 4. Leva del morsetto 5. Fermo

8. Per rimuovere la carta abrasiva, sbloccare i morsetti su entrambe le estremità e rimuovere la carta dal platorello.

Utilizzare carta abrasiva disponibile in commercio

1. Tagliare un foglio di carta abrasiva alle dimensioni appropriate.

► Fig.8: 1. Carta abrasiva 2. Platorello

2. Premere e tenere premuta verso il basso la leva del morsetto all'estremità anteriore o posteriore del platorello, quindi farla scorrere per allontanarla dal fermo, in modo da sbloccare il morsetto dalla posizione chiusa.

3. Tirare la leva del morsetto verso l'esterno il più possibile, per creare uno spazio tra il morsetto e la parete laterale della base di smerigliatura, in cui sia possibile inserire un'estremità della carta abrasiva.

4. Far scivolare un'estremità della carta abrasiva nello spazio tra il morsetto e la base di smerigliatura.

5. Riposizionare la carta abrasiva in modo che si sovrapponga con precisione sulla superficie del platorello.

6. Riposizionare la leva del morsetto nella posizione bloccata, in modo da serrare saldamente l'estremità della carta abrasiva.

7. Sbloccare il morsetto sull'altra estremità, e preparare l'altra estremità della carta abrasiva per serrarla.

8. Mantenere una tensione corretta sulla carta abrasiva, quindi impostare la leva del morsetto sull'altra estremità in una posizione bloccata.

► Fig.9: 1. Carta abrasiva 2. Morsetto 3. Base di smerigliatura 4. Leva del morsetto 5. Fermo

9. Coprire la carta abrasiva con la piastra perforatrice, con i fermi di posizionamento di quest'ultima adiacenti all'angolo applicati correttamente su due dei bordi laterali del platorello e della base di smerigliatura.

► Fig.10: 1. Carta abrasiva 2. Piastra perforatrice 3. Fermi di posizionamento 4. Platorello 5. Base di smerigliatura

10. Premere la piastra perforatrice sopra la carta abrasiva per praticare i fori di aspirazione delle polveri.

11. Per rimuovere la carta abrasiva, sbloccare i morsetti su entrambe le estremità e rimuovere la carta dal platorello.

Uso della carta abrasiva con velcro

Accessorio opzionale

⚠ATTENZIONE: Accertarsi di installare correttamente e saldamente un platorello con velcro. Un montaggio allentato causa il funzionamento sbilanciato e una vibrazione eccessiva, con conseguente perdita di controllo.

⚠ATTENZIONE: Accertarsi che un platorello e carta abrasiva con velcro siano allineati e montati saldamente.

⚠ATTENZIONE: Utilizzare esclusivamente carte abrasive con velcro. Non utilizzare mai carte abrasive sensibili alla pressione.

1. Allentare e rimuovere le quattro viti che fissano il platorello alla base di smerigliatura.

2. Sostituire il platorello installato di serie con un platorello con velcro opzionale.

3. Serrare di nuovo le viti saldamente per fissare il platorello con velcro.

► Fig.11: 1. Viti 2. Base di smerigliatura 3. Platorello

4. Rimuovere tutto lo sporco e i corpi estranei dal platorello con velcro.

5. Posizionare un foglio di carta abrasiva con velcro opzionale sopra il platorello, allineando i fori di aspirazione delle polveri nella carta con quelli presenti nel platorello.

► Fig.12: 1. Carta abrasiva 2. Platorello 3. Fori di aspirazione delle polveri

6. Per rimuovere la carta abrasiva, staccarla dal bordo sollevandola.

⚠ATTENZIONE: Quando si sostituisce il piatto-rello, la guarnizione circolare potrebbe fuoriuscire dalla base di smerigliatura. Prima di installare il piatto-rello opzionale, reinserire la guarnizione circolare nelle scanalature circolari intorno al centro della base.

- **Fig.13:** 1. Guarnizione circolare 2. Base di smerigliatura 3. Scanalature circolari

Installazione e rimozione del sacchetto per le polveri

Accessorio opzionale

Montare il sacchetto per le polveri sul beccuccio di scarico delle polveri conico presente all'estremità posteriore dell'alloggiamento del motore. Inserire la presa di entrata delle polveri del sacchetto fino in fondo nel beccuccio di scarico delle polveri, per evitare che si stacchi durante l'uso.

- **Fig.14:** 1. Beccuccio di scarico delle polveri 2. Presa di entrata delle polveri 3. Sacchetto per le polveri

NOTA: Accertarsi di montare il sacchetto per le polveri con il fermaglio della sua chiusura lampo rivolto verso il basso.

NOTA: Per assicurare una raccolta ottimale delle polveri, svuotare il sacchetto per le polveri quando si è riempito fino a circa la metà della sua capacità. Rimuovere il sacchetto per le polveri dall'utensile e tirare fuori il dispositivo di chiusura. Quindi, scuotere delicatamente o dare dei colpetti al sacchetto per le polveri per svuotarlo.

Installazione e rimozione del contenitore polveri

Accessorio opzionale

Montare il contenitore polveri sul beccuccio di scarico delle polveri conico presente all'estremità posteriore dell'alloggiamento del motore. Inserire la bocchetta polveri fino in fondo sul beccuccio di scarico delle polveri, per evitare che si stacchi durante l'uso.

- **Fig.15:** 1. Beccuccio di scarico delle polveri 2. Bocchetta polveri 3. Contenitore polveri

NOTA: Per assicurare una raccolta ottimale delle polveri, svuotare il contenitore polveri quando si è riempito fino a circa la metà della sua capacità.

1. Rimuovere il contenitore polveri dall'utensile.
2. Staccare la bocchetta polveri dal contenitore mentre si tengono premuti i dispositivi di chiusura su entrambi i lati del contenitore.
3. Scuotere delicatamente o dare dei colpetti al contenitore polveri per svuotarlo.

Sostituzione del filtro

AVVISO: Fare attenzione ad allineare i loghi sul contenitore polveri, sul filtro e sulla bocchetta polveri con lo stesso orientamento, quando si rimontano i componenti.

1. Rimuovere il contenitore polveri dall'utensile.
2. Staccare la bocchetta polveri dal contenitore mentre si tengono premuti i dispositivi di chiusura su entrambi i lati del contenitore.

- **Fig.16:** 1. Bocchetta polveri 2. Contenitore polveri 3. Dispositivo di chiusura

3. Afferrare il bordo superiore interno dell'apertura in cartone, quindi staccarlo tirandolo verso il basso per sganciare il bordo superiore esterno dell'apertura in cartone dalla linguetta di aggancio superiore sul labbro del contenitore polveri.

4. Estrarre il filtro dal contenitore polveri mentre si tira il bordo inferiore esterno dell'apertura in cartone per liberarlo dalla linguetta di aggancio inferiore.

- **Fig.17:** 1. Filtro 2. Apertura in cartone 3. Linguetta di aggancio superiore 4. Linguetta di aggancio inferiore 5. Contenitore polveri

5. Reinstallare un filtro agganciando il bordo inferiore dell'apertura in cartone nella linguetta di aggancio inferiore e premendo il bordo superiore verso l'interno fino a quando si innesta nella linguetta di aggancio superiore.

- **Fig.18:** 1. Filtro 2. Apertura in cartone 3. Linguetta di aggancio superiore 4. Linguetta di aggancio inferiore 5. Contenitore polveri

6. Innestare la bocchetta polveri in sede mentre si tengono premuti i dispositivi di chiusura su entrambi i lati del contenitore polveri.

- **Fig.19:** 1. Bocchetta polveri 2. Contenitore polveri 3. Dispositivo di chiusura

Installazione e rimozione dell'impugnatura anteriore

Installazione

Prima dell'uso, installare l'impugnatura anteriore sull'utensile, qualora tali componenti siano inclusi separatamente nella confezione.

Inserire l'estremità dell'impugnatura anteriore nell'apertura sull'alloggiamento del motore, allineando i contorni dell'estremità dell'impugnatura con quelli dell'apertura. Premere e tenere premuta saldamente l'impugnatura anteriore verso l'alloggiamento e ruotarla di 90 gradi con la sua superficie di impugnatura rivolta verso l'alto.

- **Fig.20:** 1. Impugnatura anteriore 2. Apertura 3. Alloggiamento del motore 4. Superficie di impugnatura

⚠ATTENZIONE: Dopo il montaggio, tirare l'impugnatura anteriore per verificare se sia agganciata saldamente.

AVVISO: Accertarsi di premere a fondo l'impugnatura anteriore nell'estremità con l'apertura e tenerla in posizione mentre la si ruota. La mancata osservanza di questa indicazione potrebbe causare danni all'utensile.

Disinstallazione

Rimuovendo l'impugnatura anteriore staccabile, è possibile eseguire in modo efficace operazioni di smerigliatura in aree strette, confinate e difficili da raggiungere. Premere e tenere premuta saldamente l'impugnatura anteriore verso l'alloggiamento del motore e ruotarla di 90 gradi verso sinistra o destra. Quindi, tirarla per staccarla dall'utensile.

Collegamento con un aspirapolvere

Accessorio opzionale

Quando si desidera eseguire operazioni di smerigliatura pulite, collegare un aspirapolvere Makita all'utensile. Utilizzare un tubo flessibile da 28 mm opzionale o una combinazione di manicotto anteriore 22 e tubo flessibile forniti in dotazione con l'aspirapolvere per realizzare un raccordo.

- **Fig.21:** 1. Beccuccio di scarico delle polveri
2. Manicotto anteriore 3. Tubo flessibile
4. Aspirapolvere

Installazione e rimozione della protezione per batteria

Accessorio opzionale

La protezione per batteria serve a proteggere il pezzo in lavorazione e la batteria.

- **Fig.22:** 1. Protezione per batteria

⚠ATTENZIONE: Non afferrare mai con la mano una protezione per batteria quando si trasporta l'utensile da un'area all'altra, oppure quando si mantiene l'utensile mentre non è in uso.

NOTA: Non è possibile utilizzare la protezione per batteria con le batterie sottili, ad esempio i modelli BL1815N e BL1820B.

Per installare la protezione per batteria, attenersi alla procedura seguente.

1. Inserire la batteria nella protezione per batteria, come indicato nella figura.
► **Fig.23**
2. Spingere la batteria nella protezione per batteria, in modo che le protuberanze nella protezione per batteria entrino nei fori presenti nella batteria.
► **Fig.24:** 1. Foro 2. Protuberanza
3. Accertarsi che i quattro angoli siano saldamente agganciati alla protezione per batteria.
► **Fig.25**

Per rimuovere la protezione per batteria, sganciare i quattro angoli, quindi tirare fuori lentamente la batteria dalla protezione per batteria, in modo che le protuberanze fuoriescano dai fori nella batteria. Mentre si tira la batteria, mantenere saldamente quest'ultima e la protezione per batteria.

FUNZIONAMENTO

Operazione di smerigliatura

⚠ATTENZIONE: Non far funzionare mai l'utensile senza la carta abrasiva. Si potrebbe danneggiare seriamente il tampone.

⚠ATTENZIONE: Non forzare mai l'utensile. Una pressione eccessiva potrebbe ridurre l'efficienza della smerigliatura, danneggiare la carta abrasiva e/o ridurre la vita utile dell'utensile.

Smerigliatura di aree aperte

1. Mantenere saldamente l'utensile con entrambe le mani, una mano sul manico e l'altra sull'impugnatura anteriore.
2. Accendere l'utensile e attendere che raggiunga la piena velocità.
3. Appoggiare delicatamente l'utensile sulla superficie del pezzo in lavorazione.
4. Mantenere l'intero platorello orizzontale e a filo con la superficie, e applicare una leggera pressione sull'utensile.

► **Fig.26**

Smerigliatura di aree confinate

1. Staccare l'impugnatura anteriore dall'utensile.
2. Mantenere il manico con una sola mano.
3. Accendere l'utensile e attendere che raggiunga la piena velocità.
4. Appoggiare delicatamente l'utensile sulla superficie del pezzo in lavorazione.
5. Mantenere l'intero platorello orizzontale e a filo con la superficie, e applicare una leggera pressione sull'utensile.
6. Spostare l'utensile lungo le curve, le facciate delle pareti e in altri spazi confinati, smerigliando con il bordo anteriore e i bordi degli angoli del platorello, a seconda delle esigenze.

► **Fig.27**

FUNZIONE DI ATTIVAZIONE DELLA COMUNICAZIONE SENZA FILI

Solo per il modello DBO381

AVVISO: La funzione di comunicazione senza fili è disponibile solo quando è installato un aspirapolvere supportato.

Cosa si può fare con la funzione di attivazione della comunicazione senza fili

La funzione di attivazione della comunicazione senza fili consente un funzionamento pulito e comodo. Collegando un aspirapolvere supportato all'utensile, è possibile far funzionare automaticamente l'aspirapolvere insieme all'attivazione dell'interruttore dell'utensile.

► Fig.28

Per utilizzare la funzione di attivazione della comunicazione senza fili, preparare gli elementi seguenti:

- Un'unità senza fili (accessorio opzionale)
- Un aspirapolvere che supporti la funzione di attivazione della comunicazione senza fili

L'impostazione della funzione di attivazione della comunicazione senza fili è riepilogata di seguito. Per le procedure dettagliate, consultare ciascuna sezione.

1. Installazione dell'unità senza fili
2. Registrazione dell'utensile per l'aspirapolvere
3. Avvio della funzione di attivazione della comunicazione senza fili

Installazione dell'unità senza fili

Accessorio opzionale

ATTENZIONE: Posizionare l'utensile su una superficie piana e stabile, quando si intende installare l'unità senza fili.

AVVISO: Pulire la polvere e lo sporco sull'utensile prima di installare l'unità senza fili. La polvere o lo sporco potrebbero causare un malfunzionamento, qualora penetrino nell'alloggiamento dell'unità senza fili.

AVVISO: Per evitare il malfunzionamento causato dall'elettricità statica, toccare un materiale per scaricarla, ad esempio una parte metallica dell'utensile, prima di prendere in mano l'unità senza fili.

AVVISO: Quando si installa l'unità senza fili, accertarsi sempre che quest'ultima sia inserita nella direzione corretta e che il coperchio sia completamente chiuso.

1. Aprire il coperchio sull'utensile come indicato nella figura.

► Fig.29: 1. Coperchio

2. Inserire l'unità senza fili nell'alloggiamento, quindi chiudere il coperchio.

Quando si inserisce l'unità senza fili, allineare le sporgenze con le rientranze presenti nell'alloggiamento.

► Fig.30: 1. Unità senza fili 2. Sporgenza 3. Coperchio 4. Rientranza

Quando si intende rimuovere l'unità senza fili, aprire lentamente il coperchio. I ganci sul retro del coperchio sollevano l'unità senza fili mentre si tira su il coperchio.

► Fig.31: 1. Unità senza fili 2. Gancio 3. Coperchio

Dopo aver rimosso l'unità senza fili, conservarla nella custodia in dotazione o in un contenitore antistatico.

AVVISO: Utilizzare sempre i ganci sul retro del coperchio quando si intende rimuovere l'unità senza fili. Qualora i ganci non si inseriscano nell'unità senza fili, chiudere completamente il coperchio e riaprirlo lentamente.

Registrazione dell'utensile per l'aspirapolvere

NOTA: È richiesto un aspirapolvere Makita che supporti la funzione di attivazione della comunicazione senza fili per la registrazione dell'utensile.

NOTA: Completare l'installazione dell'unità senza fili nello strumento prima di avviare la registrazione dell'utensile.

NOTA: Durante la registrazione dell'utensile, non premere l'interruttore a grilletto né attivare l'interruttore di accensione sull'aspirapolvere.

NOTA: Fare riferimento anche al manuale d'uso dell'aspirapolvere.

Se si desidera attivare l'aspirapolvere insieme all'attivazione dell'interruttore dell'utensile, completare anticipatamente la registrazione dell'utensile.

1. Installare le batterie nell'aspirapolvere e nell'utensile.
2. Impostare il commutatore di standby sull'aspirapolvere su "AUTO".

► Fig.32: 1. Commutatore di standby

3. Premere il pulsante di attivazione della comunicazione senza fili sull'aspirapolvere per 3 secondi, fino a quando l'indicatore luminoso di attivazione della comunicazione senza fili lampeggia in verde. Quindi, premere il pulsante di attivazione della comunicazione senza fili sull'utensile in modo analogo.

► Fig.33: 1. Pulsante di attivazione della comunicazione senza fili 2. Indicatore luminoso di attivazione della comunicazione senza fili

Se l'aspirapolvere e l'utensile sono collegati con esito positivo, gli indicatori luminosi di attivazione della comunicazione senza fili si illuminano in verde per 2 secondi, quindi iniziano a lampeggiare in blu.

NOTA: Gli indicatori luminosi di attivazione della comunicazione senza fili smettono di lampeggiare in verde dopo 20 secondi. Premere il pulsante di attivazione della comunicazione senza fili sull'utensile mentre l'indicatore luminoso di attivazione della comunicazione senza fili sull'aspiratore sta lampeggiando. Qualora l'indicatore luminoso di attivazione della comunicazione senza fili non lampeggi in verde, premere brevemente e tenere premuto di nuovo il pulsante di attivazione della comunicazione senza fili.

NOTA: Quando si intende effettuare due o più registrazioni di utensili per un unico aspirapolvere, completare la registrazione degli utensili uno alla volta.

Avvio della funzione di attivazione della comunicazione senza fili

NOTA: Completare la registrazione dell'utensile per l'aspirapolvere prima dell'attivazione della comunicazione senza fili.

NOTA: Fare riferimento anche al manuale d'uso dell'aspirapolvere.

Dopo aver registrato un utensile sull'aspirapolvere, quest'ultimo entra in funzione automaticamente insieme all'attivazione dell'interruttore dell'utensile.

1. Installare l'unità senza fili sull'utensile.
2. Collegare il tubo flessibile dell'aspirapolvere all'utensile.

► **Fig.34**

3. Impostare il commutatore di standby sull'aspirapolvere su "AUTO".

► **Fig.35:** 1. Commutatore di standby

4. Premere brevemente il pulsante di attivazione della comunicazione senza fili sull'utensile. L'indicatore luminoso di attivazione della comunicazione senza fili lampeggia in blu.

► **Fig.36:** 1. Pulsante di attivazione della comunicazione senza fili 2. Indicatore luminoso di attivazione della comunicazione senza fili

5. Accendere l'utensile. Verificare se l'aspirapolvere sia in funzione quando l'utensile sta funzionando.

Per interrompere l'attivazione della comunicazione senza fili dell'aspirapolvere, premere il pulsante di attivazione della comunicazione senza fili sull'utensile.

NOTA: L'indicatore luminoso di attivazione della comunicazione senza fili sull'utensile smette di lampeggiare in blu quando non viene effettuata alcuna operazione per 2 ore. In questo caso, impostare il commutatore di standby sull'aspirapolvere su "AUTO" e premere di nuovo il pulsante di attivazione della comunicazione senza fili sull'utensile.

NOTA: L'aspirapolvere si avvia o si arresta con un ritardo. Si verifica un ritardo temporale quando l'aspirapolvere rileva un'attivazione dell'interruttore sull'utensile.










NOTA: La distanza di trasmissione dell'unità senza fili può variare a seconda dell'ubicazione e della situazione circostante.

NOTA: Quando due o più utensili sono registrati su un unico aspirapolvere, quest'ultimo potrebbe iniziare a funzionare anche se non si accende l'utensile, in quanto un altro utente sta utilizzando la funzione di attivazione della comunicazione senza fili.

Descrizione dello stato dell'indicatore luminoso di attivazione della comunicazione senza fili

► **Fig.37:** 1. Indicatore luminoso di attivazione della comunicazione senza fili

L'indicatore luminoso di attivazione della comunicazione senza fili mostra lo stato della funzione di attivazione della comunicazione senza fili. Per informazioni sul significato dello stato dell'indicatore luminoso, fare riferimento alla tabella seguente.

| Stato | Indicatore luminoso di attivazione della comunicazione senza fili | | | | Descrizione |
|--|---|--|--|----------------------------------|---|
| | Colore |  Acceso |  Lampeggiante | Durata | |
| Standby | Blu |  | | 2 ore | È disponibile l'attivazione della funzione di comunicazione senza fili dell'aspirapolvere. L'indicatore luminoso si spegne automaticamente quando non viene eseguita alcuna operazione per 2 ore. |
| | |  | | Quando l'utensile è in funzione. | È disponibile l'attivazione della funzione di comunicazione senza fili dell'aspirapolvere e l'utensile è in funzione. |
| Registrazione dell'utensile | Verde |  | | 20 secondi | Pronto alla registrazione dell'utensile. In attesa della registrazione da parte dell'aspirapolvere. |
| | |  | | 2 secondi | La registrazione dell'utensile è stata completata. L'indicatore luminoso di attivazione della comunicazione senza fili inizia a lampeggiare in blu. |
| Annullamento della registrazione dell'utensile | Rosso |  | | 20 secondi | Pronto alla cancellazione della registrazione dell'utensile. In attesa della cancellazione da parte dell'aspirapolvere. |
| | |  | | 2 secondi | La cancellazione della registrazione dell'utensile è stata completata. L'indicatore luminoso di attivazione della comunicazione senza fili inizia a lampeggiare in blu. |
| Altro | Rosso |  | | 3 secondi | L'alimentazione è fornita all'unità senza fili e la funzione di attivazione della comunicazione senza fili si sta avviando. |
| | Spento | - | | - | L'attivazione della funzione di comunicazione senza fili dell'aspirapolvere è stata arrestata. |

Annullamento della registrazione dell'utensile per l'aspirapolvere

Quando si intende annullare la registrazione dell'utensile per l'aspirapolvere, attenersi alla procedura seguente.

1. Installare le batterie nell'aspirapolvere e nell'utensile.
2. Impostare il commutatore di standby sull'aspirapolvere su "AUTO".

► **Fig.38:** 1. Commutatore di standby

3. Premere il pulsante di attivazione della comunicazione senza fili sull'aspirapolvere per 6 secondi. L'indicatore luminoso di attivazione della comunicazione senza fili lampeggia in verde, quindi diventa rosso. Dopodiché, premere il pulsante di attivazione della comunicazione senza fili sull'utensile in modo analogo.

► **Fig.39:** 1. Pulsante di attivazione della comunicazione senza fili 2. Indicatore luminoso di attivazione della comunicazione senza fili

Se l'annullamento è stato eseguito con esito positivo, gli indicatori luminosi di attivazione della comunicazione senza fili si illuminano in rosso per 2 secondi, quindi iniziano a lampeggiare in blu.

NOTA: Gli indicatori luminosi di attivazione della comunicazione senza fili smettono di lampeggiare in rosso dopo 20 secondi. Premere il pulsante di attivazione della comunicazione senza fili sull'utensile mentre l'indicatore luminoso di attivazione della comunicazione senza fili sull'aspiratore sta lampeggiando. Qualora l'indicatore luminoso di attivazione della comunicazione senza fili non lampeggi in rosso, premere brevemente e tenere premuto di nuovo il pulsante di attivazione della comunicazione senza fili.

Risoluzione dei problemi per la funzione di attivazione della comunicazione senza fili

Prima di richiedere riparazioni, eseguire un'ispezione personalmente. Qualora si rilevi un problema che non è illustrato nel manuale, non tentare di smontare l'utensile. Rivolgersi, invece, a un centro di assistenza autorizzato Makita, utilizzando sempre pezzi di ricambio Makita per le riparazioni.

| Stato di anomalia | Causa probabile (guasto) | Azione correttiva |
|--|--|--|
| L'indicatore luminoso di attivazione della comunicazione senza fili non si illumina o non lampeggia. | L'unità senza fili non è installata nell'utensile. L'unità senza fili è installata in modo errato nell'utensile. | Installare l'unità senza fili correttamente. |
| | Il terminale dell'unità senza fili e/o l'alloggiamento sono sporchi. | Asportare delicatamente polvere e sporco presenti sul terminale dell'unità senza fili e pulire l'alloggiamento. |
| | Il pulsante di attivazione della comunicazione senza fili sull'utensile non è stato premuto. | Premere brevemente il pulsante di attivazione della comunicazione senza fili sull'utensile. |
| | Il commutatore di standby sull'aspirapolvere non è impostato su "AUTO". | Impostare il commutatore di standby sull'aspirapolvere su "AUTO". |
| | Alimentazione assente | Fornire l'alimentazione all'utensile e all'aspirapolvere. |
| Impossibile completare con esito positivo la registrazione dell'utensile o l'annullamento della registrazione dell'utensile. | L'unità senza fili non è installata nell'utensile. L'unità senza fili è installata in modo errato nell'utensile. | Installare l'unità senza fili correttamente. |
| | Il terminale dell'unità senza fili e/o l'alloggiamento sono sporchi. | Asportare delicatamente polvere e sporco presenti sul terminale dell'unità senza fili e pulire l'alloggiamento. |
| | Il commutatore di standby sull'aspirapolvere non è impostato su "AUTO". | Impostare il commutatore di standby sull'aspirapolvere su "AUTO". |
| | Alimentazione assente | Fornire l'alimentazione all'utensile e all'aspirapolvere. |
| | Funzionamento errato | Premere brevemente il pulsante di attivazione della comunicazione senza fili ed eseguire di nuovo la procedura di registrazione o di annullamento dell'utensile. |
| | L'utensile e l'aspirapolvere sono lontani l'uno dall'altro (fuori dalla portata di trasmissione). | Avvicinare l'utensile e l'aspirapolvere tra di loro. La distanza massima di trasmissione è di circa 10 m, ma può variare in base alle circostanze. |
| | Prima di completare la registrazione o l'annullamento dell'utensile: - l'interruttore dell'utensile è attivato, oppure; - il pulsante di accensione sull'aspirapolvere è attivato. | Premere brevemente il pulsante di attivazione della comunicazione senza fili ed eseguire di nuovo la procedura di registrazione o di annullamento dell'utensile. |
| | Le procedure di registrazione per l'utensile o per l'aspirapolvere non sono state completate. | Eseguire le procedure di registrazione dell'utensile sia per l'utensile che per l'aspirapolvere allo stesso tempo. |
| | Sono presenti disturbi radio dovuti ad altri apparecchi che generano onde radio ad alta intensità. | Tenere l'utensile e l'aspirapolvere lontani da apparecchi quali dispositivi Wi-Fi e forni a microonde. |

| Stato di anomalia | Causa probabile (guasto) | Azione correttiva |
|--|--|---|
| L'aspirapolvere non entra in funzione insieme all'attivazione dell'interruttore dell'utensile. | L'unità senza fili non è installata nell'utensile. L'unità senza fili è installata in modo errato nell'utensile. | Installare l'unità senza fili correttamente. |
| | Il terminale dell'unità senza fili e/o l'alloggiamento sono sporchi. | Asportare delicatamente polvere e sporco presenti sul terminale dell'unità senza fili e pulire l'alloggiamento. |
| | Il pulsante di attivazione della comunicazione senza fili sull'utensile non è stato premuto. | Premere brevemente il pulsante di attivazione della comunicazione senza fili e accertarsi che l'indicatore luminoso di attivazione della comunicazione senza fili stia lampeggiando in blu. |
| | Il commutatore di standby sull'aspirapolvere non è impostato su "AUTO". | Impostare il commutatore di standby sull'aspirapolvere su "AUTO". |
| | Sull'aspirapolvere sono registrati più di 10 utensili. | Effettuare di nuovo la registrazione dell'utensile. Qualora sull'aspirapolvere siano registrati più di 10 utensili, l'utensile registrato per primo viene annullato automaticamente. |
| | L'aspirapolvere ha cancellato tutte le registrazioni degli utensili. | Effettuare di nuovo la registrazione dell'utensile. |
| | Alimentazione assente | Fornire l'alimentazione all'utensile e all'aspirapolvere. |
| | L'utensile e l'aspirapolvere sono lontani l'uno dall'altro (fuori dalla portata di trasmissione). | Avvicinare l'utensile e l'aspirapolvere tra di loro. La distanza massima di trasmissione è di circa 10 m, ma può variare in base alle circostanze. |
| | Sono presenti disturbi radio dovuti ad altri apparecchi che generano onde radio ad alta intensità. | Tenere l'utensile e l'aspirapolvere lontani da apparecchi quali dispositivi Wi-Fi e forni a microonde. |
| L'aspirapolvere è in funzione mentre l'utensile non sta funzionando. | Altri utenti stanno utilizzando l'attivazione della comunicazione senza fili dell'aspirapolvere con i loro utensili. | Disattivare il pulsante di attivazione della comunicazione senza fili degli altri utensili oppure annullare la registrazione degli altri utensili. |

MANUTENZIONE

⚠ATTENZIONE: Accertarsi sempre che l'utensile sia spento e che la cartuccia della batteria sia stata rimossa prima di tentare di eseguire interventi di ispezione o manutenzione.

AVVISO: Non utilizzare mai benzina, benzene, solventi, alcol o altre sostanze simili. In caso contrario, si potrebbero causare scolorimenti, deformazioni o crepe.

Per preservare la SICUREZZA e l'AFFIDABILITÀ del prodotto, le riparazioni e qualsiasi altro intervento di manutenzione e di regolazione devono essere eseguiti da un centro di assistenza autorizzato Makita, utilizzando sempre ricambi Makita.

Dopo l'uso

Pulire l'utensile passandovi sopra un panno asciutto o un panno leggermente inumidito con acqua saponata a intervalli regolari.

ACCESSORI OPZIONALI

⚠ATTENZIONE: Questi accessori o componenti aggiuntivi sono consigliati per l'uso con l'utensile Makita specificato nel presente manuale. L'impiego di altri accessori o componenti aggiuntivi può costituire un rischio di lesioni alle persone. Utilizzare gli accessori o i componenti aggiuntivi solo per il loro scopo prefissato.

Per ottenere ulteriori dettagli relativamente a questi accessori, rivolgersi a un centro di assistenza Makita.

- Carta abrasiva (con fori preforati)
- Carta abrasiva di tipo con velcro
- Piastra perforatrice
- Platorello di sostegno (per l'uso con la carta abrasiva di tipo con velcro)
- Platorello di sostegno (per l'uso con la carta abrasiva di tipo convenzionale)
- Sacchetto per le polveri
- Contenitore polveri
- Filtro
- Tubo flessibile
- Unità senza fili (Solo per il modello DBO381)
- Protezione per batteria
- Batteria e caricabatterie originali Makita

NOTA: Alcuni articoli nell'elenco potrebbero essere inclusi nell'imballaggio dell'utensile come accessori standard. Tali articoli potrebbero variare da nazione a nazione.

TECHNISCHE GEGEVENS

| Model: | | DBO380 | DBO381 |
|-----------------------------------|-----------|--------------------------|--------|
| Afmetingen schuurzool | | 93 mm x 185 mm | |
| Afmetingen schuurpapier | | 93 mm x 228 mm | |
| Omwentelingen per minuut | Hoog | 12.000 min ⁻¹ | |
| | Gemiddeld | 8.000 min ⁻¹ | |
| | Laag | 4.000 min ⁻¹ | |
| Totale lengte (met voorhandgreep) | | 336 mm | |
| Nominale spanning | | 18 V gelijkspanning | |
| Nettogewicht | | 1,9 - 2,2 kg | |

- In verband met ononderbroken research en ontwikkeling, behouden wij ons het recht voor de bovenstaande technische gegevens zonder voorafgaande kennisgeving te wijzigen.
- De technische gegevens van de accu kunnen van land tot land verschillen.
- Het gewicht kan verschillen afhankelijk van de hulpstukken, waaronder de accu. De lichtste en zwaarste combinatie, overeenkomstig de EPTA-procedure 01/2014, worden getoond in de tabel.

Toepasselijke accu's en laders

| | |
|-------|---|
| Accu | BL1815N / BL1820B / BL1830B / BL1840B / BL1850B / BL1860B |
| Lader | DC18RC / DC18RD / DC18RE / DC18SD / DC18SE / DC18SF / DC18SH / DC18WC |

- Sommige van de hierboven vermelde accu's en laders zijn mogelijk niet leverbaar afhankelijk van waar u woont.

⚠ WAARSCHUWING: Gebruik uitsluitend de accu's en laders die hierboven worden genoemd. Gebruik van enige andere accu of lader kan leiden tot letsel en/of brand.

Gebruiksdoelinden

Dit gereedschap is bedoeld voor het schuren van grote oppervlakken van hout-, kunststof- en metaalmaterialen, en ook geschilderde oppervlakken.

Geluidsniveau

De typische, A-gewogen geluidsniveaus zijn gemeten volgens EN62841-2-4:

Model DBO380

Geluidsdrukniveau (L_{pA}): 72 dB (A)

Onzekerheid (K): 3 dB (A)

Model DBO381

Geluidsdrukniveau (L_{pA}): 72 dB (A)

Onzekerheid (K): 3 dB (A)

Het geluidsniveau kan tijdens gebruik hoger worden dan 80 dB (A).

OPMERKING: De opgegeven geluidsemisiewaarde(n) is/zijn gemeten volgens een standaardtestmethode en kan/kunnen worden gebruikt om dit gereedschap te vergelijken met andere gereedschappen.

OPMERKING: De opgegeven geluidsemisiewaarde(n) kan/kunnen ook worden gebruikt voor een beoordeling vooraf van de blootstelling.

⚠ WAARSCHUWING: Draag gehoorbescherming.

⚠ WAARSCHUWING: De geluidsemissie tijdens het gebruik van het elektrisch gereedschap in de praktijk kan verschillen van de opgegeven waarde(n) afhankelijk van de manier waarop het gereedschap wordt gebruikt, met name van het soort werkstuk waarmee wordt gewerkt.

⚠ WAARSCHUWING: Zorg ervoor dat veiligheidsmaatregelen worden getroffen ter bescherming van de gebruiker die zijn gebaseerd op een schatting van de blootstelling onder praktijkomstandigheden (rekening houdend met alle fasen van de bedrijfscyclus, zoals de tijdsduur gedurende welke het gereedschap is uitgeschakeld en stationair draait, naast de ingeschakelde tijdsduur).

Trilling

De totale trillingswaarde (triaxiale vectorsom) zoals vastgesteld volgens EN62841-2-4:

Model DBO380

Gebruikstoepassing: schuren van metalen plaat

Trillingsemisie (a_h): 3,6 m/s²

Onzekerheid (K): 1,5 m/s²

Model DBO381

Gebruikstoepassing: schuren van metalen plaat

Trillingsemisie (a_h): 3,6 m/s²

Onzekerheid (K): 1,5 m/s²

OPMERKING: De totale trillingswaarde(n) is/zijn gemeten volgens een standaardtestmethode en kan/kunnen worden gebruikt om dit gereedschap te vergelijken met andere gereedschappen.

OPMERKING: De opgegeven totale trillingswaarde(n) kan/kunnen ook worden gebruikt voor een beoordeling vooraf van de blootstelling.

⚠️ WAARSCHUWING: De trillingsemissie tijdens het gebruik van het elektrisch gereedschap in de praktijk kan verschillen van de opgegeven waarde(n) afhankelijk van de manier waarop het gereedschap wordt gebruikt, met name van het soort werkstuk waarmee wordt gewerkt.

⚠️ WAARSCHUWING: Zorg ervoor dat veiligheidsmaatregelen worden getroffen ter bescherming van de gebruiker die zijn gebaseerd op een schatting van de blootstelling onder praktijkomstandigheden (rekening houdend met alle fasen van de bedrijfscyclus, zoals de tijdsduur gedurende welke het gereedschap is uitgeschakeld en stationair draait, naast de ingeschakelde tijdsduur).

EG-verklaring van conformiteit

Alleen voor Europese landen

De EG-verklaring van conformiteit is bijgevoegd als Bijlage A bij deze gebruiksaanwijzing.

VEILIGHEIDSWAARSCHUWINGEN

Algemene veiligheidswaarschuwingen voor elektrisch gereedschap

⚠️ WAARSCHUWING: Lees alle veiligheidswaarschuwingen, aanwijzingen, afbeeldingen en technische gegevens behorend bij dit elektrische gereedschap aandachtig door. Als u niet alle onderstaande aanwijzingen naleeft, kan dat resulteren in brand, elektrische schokken en/of ernstig letsel.

Bewaar alle waarschuwingen en instructies om in de toekomst te kunnen raadplegen.

De term "elektrisch gereedschap" in de veiligheidsvoorschriften duidt op gereedschappen die op stroom van het lichtnet werken (met snoer) of gereedschappen met een accu (snoerloos).

Veiligheidswaarschuwingen voor schuurmachines

1. Draag altijd een veiligheidsbril. Een gewone bril of een zonnebril is GEEN veiligheidsbril.
2. Houd het gereedschap stevig vast.
3. Laat het gereedschap niet ingeschakeld achter. Schakel het gereedschap alleen in wanneer u het vasthoudt.

4. Dit gereedschap is niet waterdicht. Besprenkel derhalve het werkstukoppervlak niet met water.
5. Zorg dat uw werkplaats goed geventileerd is wanneer u gaat schuren.
6. Sommige materialen bevatten chemische stoffen die giftig kunnen zijn. Neem voorzorgsmaatregelen tegen het inademen van stof en contact met de huid. Volg de veiligheidsinstructies van de leverancier van het materiaal op.
7. Als dit gereedschap wordt gebruikt voor het schuren van bepaalde producten, verflagen en hout, kan de gebruiker worden blootgesteld aan stof waarin gevaarlijke bestanddelen zitten. Gebruik geschikte ademhalingsbeschermingsapparatuur.
8. Controleer voor het gebruik of de steunschijf niet gescheurd of gebroken is. Een gescheurde of gebroken steunschijf kan persoonlijk letsel veroorzaken.
9. Zorg ervoor dat u tijdens het gebruik van het gereedschap stevig staat en uw evenwicht goed bewaart. Controleer of er zich niemand beneden u bevindt wanneer u op hoge platen gaat werken.

BEWAAR DEZE INSTRUCTIES.

⚠️ WAARSCHUWING: Laat u NIET misleiden door een vals gevoel van comfort en bekendheid met het gereedschap (na veelvuldig gebruik) en neem alle veiligheidsvoorschriften van het betreffende gereedschap altijd strikt in acht. **VERKEERD GEBRUIK** of het niet naleven van de veiligheidsvoorschriften in deze gebruiksaanwijzing kan leiden tot ernstig persoonlijk letsel.

Belangrijke veiligheidsinstructies voor een accu

1. Lees alle voorschriften en waarschuwingen op (1) de acculader, (2) de accu, en (3) het product waarvoor de accu wordt gebruikt, alvorens de accu in gebruik te nemen.
2. Haal de accu niet uit elkaar en saboteer hem niet. Dit kan leiden tot brand, buitensporige hitte of een explosie.
3. Als de gebruikstijd van een opgeladen accu aanzienlijk korter is geworden, moet u het gebruik ervan onmiddellijk stopzetten. Voortgezet gebruik kan oververhitting, brandwonden en zelfs een ontploffing veroorzaken.
4. Als elektrolyt in uw ogen is terechtgekomen, spoelt u uw ogen met schoon water en roept u onmiddellijk de hulp van een dokter in. Elektrolyt in de ogen kan blindheid veroorzaken.
5. Voorkom kortsluiting van de accu:
 - (1) Raak de accuklemmen nooit aan met een geleidend materiaal.
 - (2) Bewaar de accu niet in een bak waarin andere metalen voorwerpen zoals spijkers, munten e.d. worden bewaard.
 - (3) Stel de accu niet bloot aan water of regen.

Kortsluiting van de accu kan oorzaak zijn van een grote stroomafgifte, oververhitting, brandwonden, en zelfs defecten.

6. **Bewaer en gebruik het gereedschap en de accu niet op plaatsen waar de temperatuur kan oplopen tot 50 °C of hoger.**
7. **Werp de accu nooit in het vuur, ook niet wanneer hij zwaar beschadigd of volledig verstret is. De accu kan ontploffen in het vuur.**
8. **Laat de accu niet vallen, sla er geen spijker in, snijd er niet in, gooi er niet mee en stoot hem niet tegen een hard voorwerp.** Dergelijke handelingen kunnen leiden tot brand, buitensporige hitte of een explosie.
9. **Gebruik nooit een beschadigde accu.**
10. **De bijgeleverde lithium-ionbatterijen zijn onderhevig aan de vereisten in de wetgeving omtrent gevaarlijke stoffen.**
Voor commercieel transport en dergelijke door derden en transporteurs moeten speciale vereisten ten aanzien van verpakking en etikettering worden nageleefd.
Als voorbereiding van het artikel dat wordt getransporteerd is het noodzakelijk een expert op het gebied van gevaarlijke stoffen te raadplegen. Houd u tevens aan mogelijk strengere nationale regelgeving. Blootliggende contactpunten moeten worden afgedekt met tape en de accu moet zodanig worden verpakt dat deze niet kan bewegen in de verpakking.
11. **Wanneer u de accu wilt weggoien, verwijdert u de accu vanaf het gereedschap en gooit u hem op een veilige manier weg. Volg bij het weggoien van de accu de plaatselijke voorschriften.**
12. **Gebruik de accu's uitsluitend met de gereedschappen die door Makita zijn aanbevolen.** Als de accu's worden aangebracht in niet-compatibele gereedschappen, kan dat leiden tot brand, buitensporige warmteontwikkeling, een explosie of lekkage van elektrolyt.
13. **Als u het gereedschap gedurende een lange tijd niet denkt te gaan gebruiken, moet de accu vanaf het gereedschap worden verwijderd.**
14. **Tijdens en na gebruik, kan de accu heet worden waardoor brandwonden of koude brandwonden kunnen worden veroorzaakt. Wees voorzichtig bij het hanteren van een hete accu.**
15. **Raak de aansluitpunten van het gereedschap niet onmiddellijk na gebruik aan omdat deze heet genoeg kunnen zijn om brandwonden te veroorzaken.**
16. **Zorg ervoor dat geen steenslag, stof of grond vast komt te zitten op/in de aansluitpunten, openingen en groeven van de accu.** Hierdoor kan oververhitting, brand, een barst en een storing in het gereedschap of de accu ontstaan waardoor brandwonden of persoonlijk letsel kunnen ontstaan.
17. **Behalve indien gebruik van het gereedschap is toegestaan in de buurt van hoogspanningsleidingen, mag u de accu niet gebruiken in de buurt van een hoogspanningsleiding.** Dit kan leiden tot een storing of een defect van het gereedschap of de accu.

18. **Houd de accu uit de buurt van kinderen.**

BEWAAR DEZE INSTRUCTIES.

⚠ LET OP: Gebruik uitsluitend originele Makita accu's. Het gebruik van niet-originele accu's, of accu's die zijn gewijzigd, kan ertoe leiden dat de accu ontploft en brand, persoonlijk letsel en schade veroorzaakt. Ook vervalt daarmee de garantie van Makita op het gereedschap en de lader van Makita.

Tips voor een maximale levensduur van de accu

1. **Laad de accu op voordat hij volledig ontladen is. Stop het gebruik van het gereedschap en laad de accu op telkens wanneer u vaststelt dat het vermogen van het gereedschap is afgenomen.**
2. **Laad een volledig opgeladen accu nooit opnieuw op. Te lang opladen verkort de levensduur van de accu.**
3. **Laad de accu op bij een omgevingstemperatuur tussen 10 °C en 40 °C. Laat een warme accu afkoelen alvorens hem op te laden.**
4. **Als de accu niet wordt gebruikt, verwijder u hem vanaf het gereedschap of de lader.**
5. **Laad de accu op als u deze gedurende een lange tijd (meer dan zes maanden) niet gaat gebruiken.**

Belangrijke veiligheidsinstructies voor de draadloos-eenheid

1. **Haal de draadloos-eenheid niet uit elkaar en knoei er niet aan.**
2. **Houd de draadloos-eenheid uit de buurt van kinderen. Indien per ongeluk ingeslikt, raadpleegt u onmiddellijk een arts.**
3. **Gebruik de draadloos-eenheid uitsluitend met Makita-gereedschap.**
4. **Stel de draadloos-eenheid niet bloot aan regen of natte omstandigheden.**
5. **Gebruik de draadloos-eenheid niet op plaatsen waar de temperatuur hoger is dan 50 °C.**
6. **Bedien de draadloos-eenheid niet op plaatsen in de buurt van medische instrumenten, zoals een pacemaker.**
7. **Bedien de draadloos-eenheid niet op plaatsen in de buurt van geautomatiseerde apparaten. Bij bediening ervan kan in de geautomatiseerde apparaten een storing of fout optreden.**
8. **Bedien de draadloos-eenheid niet op plaatsen met een hoge temperatuur of op plaatsen waar statische elektriciteit of elektrische ruis kan worden gegenereerd.**
9. **De draadloos-eenheid kan elektromagnetische velden genereren, maar deze zijn niet schadelijk voor de gebruiker.**
10. **De draadloos-eenheid is een nauwkeurig instrument. Wees voorzichtig dat u de draadloos-eenheid niet laat vallen of ergens tegenaan stoot.**
11. **Raak de aansluitpunten van de draadloos-eenheid niet aan met blote handen of metaalachtige materialen.**

12. Verwijder altijd de accu uit het apparaat wanneer u de draadloos-eenheid erin aanbrengt.
13. Open de afdekking van de gleuf niet op plaatsen waar stof of vocht in de gleuf kan binnendringen. Houd de ingang van de gleuf altijd schoon.
14. Breng de draadloos-eenheid altijd in de juiste richting aan.
15. Druk niet te hard op de knop voor draadloos inschakelen op de draadloos-eenheid en/of druk niet op de knop met een scherp voorwerp.
16. Sluit altijd de afdekking van de gleuf tijdens gebruik.
17. Verwijder de draadloos-eenheid niet uit de gleuf terwijl voeding wordt geleverd aan het gereedschap. Als u dit doet, kan een storing optreden in de draadloos-eenheid.
18. Verwijder de sticker op de draadloos-eenheid niet.
19. Plak geen stickers op de draadloos-eenheid.
20. Laat de draadloos-eenheid niet liggen op een plaats waar statische elektriciteit of elektrische ruis kan worden gegenereerd.
21. Laat de draadloos-eenheid niet liggen op een plaats die is blootgesteld aan hoge temperaturen, zoals in een auto die in de zon staat geparkeerd.
22. Laat de draadloos-eenheid niet liggen op een plaats met veel stof of poeder, of op een plaats waar corrosief gas kan worden gegenereerd.
23. Door een plotselinge verandering in temperatuur kan condens op de draadloos-eenheid worden gevormd. Gebruik de draadloos-eenheid niet voordat de condens volledig is verdampt.
24. Veeg de draadloos-eenheid voorzichtig schoon met een droge, zachte doek. Gebruik geen wasbenzine, thinner, geleidend vet en dergelijke.
25. Bewaar de draadloos-eenheid in de bijgeleverde doos of een antistatische container.
26. Breng geen andere apparaten dan een draadloos-eenheid van Makita aan in de gleuf van het gereedschap.
27. Gebruik het gereedschap niet als de afdekking van de gleuf beschadigd is. Water, stof en vuil die in de gleuf binnendringen, kunnen een storing veroorzaken.
28. Trek en draai niet meer dan nodig is aan de afdekking van de gleuf. Plaats de afdekking terug als deze los komt van het gereedschap.
29. Vervang de afdekking van de gleuf als deze verloren of beschadigd is.

BEWAAR DEZE INSTRUCTIES.

BESCHRIJVING VAN DE FUNCTIES

⚠ LET OP: Zorg altijd dat het gereedschap is uitgeschakeld en de accu ervan is verwijderd alvorens de functies op het gereedschap af te stellen of te controleren.

De accu aanbrengen en verwijderen

⚠ LET OP: Schakel het gereedschap altijd uit voordat u de accu aanbrengt of verwijderd.

⚠ LET OP: Houd het gereedschap en de accu stevig vast tijdens het aanbrengen of verwijderen van de accu. Als u het gereedschap en de accu niet stevig vasthoudt, kunnen deze uit uw handen glijpen en het gereedschap of de accu beschadigen, of kan persoonlijk letsel worden veroorzaakt.

► Fig.1: 1. Rood deel 2. Knop 3. Accu

Om de accu te verwijderen verschuift u de knop aan de voorkant van de accu en schuift u tegelijkertijd de accu uit het gereedschap.

Om de accu aan te brengen lijnt u de lip op de accu uit met de groef in de behuizing en duwt u de accu op zijn plaats. Steek de accu zo ver mogelijk in het gereedschap tot u een klikgekluid hoort. Wanneer het rode deel zichtbaar is, zoals aangegeven in de afbeelding, is de accu niet geheel vergrendeld.

⚠ LET OP: Breng de accu altijd helemaal aan totdat het rode deel niet meer zichtbaar is. Als u dit niet doet, kan de accu per ongeluk uit het gereedschap vallen en u of anderen in uw omgeving verwonden.

⚠ LET OP: Breng de accu niet met kracht aan. Als de accu niet gemakkelijk in het gereedschap kan worden geschoven, wordt deze niet goed aangebracht.

De resterende acculading controleren

Alleen voor accu's met indicatorlampjes

► Fig.2: 1. Indicatorlampjes 2. Testknop

Druk op de testknop op de accu om de resterende acculading te zien. De indicatorlampjes branden gedurende enkele seconden.

| Indicatorlampjes | | | Resterende acculading |
|------------------|---------|----------|--|
| Brandt | Uit | Knippert | |
| ■ ■ ■ ■ | □ □ □ □ | ▩ ▩ ▩ ▩ | 75% tot 100% |
| ■ ■ ■ □ | □ □ □ □ | ▩ ▩ ▩ ▩ | 50% tot 75% |
| ■ ■ □ □ | □ □ □ □ | ▩ ▩ ▩ ▩ | 25% tot 50% |
| ■ □ □ □ | □ □ □ □ | ▩ ▩ ▩ ▩ | 0% tot 25% |
| ▩ □ □ □ | □ □ □ □ | ▩ ▩ ▩ ▩ | Laad de accu op. |
| ■ ■ □ □ | □ □ □ □ | ▩ ▩ ▩ ▩ | Er kan een storing zijn opgetreden in de accu. |
| □ □ □ □ | □ □ □ □ | ▩ ▩ ▩ ▩ | |

OPMERKING: Afhankelijk van de gebruiksomstandigheden en de omgevingstemperatuur, is het mogelijk dat de aangegeven acculading verschilt van de werkelijke acculading.

OPMERKING: Het eerste (meest linker) indicatorlampje knippert wanneer het accubeveiligingssysteem in werking is getreden.

Gereedschap-/accubeveiligingssysteem

Het gereedschap is voorzien van een gereedschap-/accubeveiligingssysteem. Dit systeem schakelt automatisch de voeding naar de motor uit om de levensduur van het gereedschap en de accu te verlengen. Het gereedschap kan tijdens het gebruik automatisch stoppen als het gereedschap of de accu aan één van de volgende omstandigheden wordt blootgesteld:

Overbelastingsbeveiliging

Wanneer het gereedschap of de accu wordt gebruikt op een wijze die ertoe leidt dat er een abnormaal sterke stroom wordt onttrokken, stopt het gereedschap automatisch zonder indicatie. Schakel in dit geval het gereedschap uit en stop de toepassing die ertoe geleid heeft dat het gereedschap overbelast is geraakt. Schakel vervolgens het gereedschap in om het opnieuw op te starten.

Oververhittingsbeveiliging

Wanneer het gereedschap of de accu oververhit raakt, stopt het gereedschap automatisch. Laat in dit geval het gereedschap en de accu afkoelen voordat u het gereedschap weer inschakelt.

Beveiliging tegen te ver ontladen

Als de acculading onvoldoende is, stopt het gereedschap automatisch. In dit geval verwijdert u de accu vanaf het gereedschap en laadt u de accu op.

De trekkerschakelaar gebruiken

⚠ LET OP: Voorkom dat het gereedschap wordt ingeschakeld terwijl het op het werkstuk of op uw werkbank staat. Dit kan persoonlijk letsel of schade veroorzaken.

Het gereedschap in- en uitschakelen

Druk op de aan-uit-/toerentalkeuzeknop bovenop de hoofdhandgreep om het gereedschap in te schakelen. Het gereedschap begint te draaien op het hoogste toerental. Druk op de stopknop om de werking te pauzeren of te stoppen.

► **Fig.3:** 1. Aan-uit-/toerentalkeuzeknop 2. Stopknop
3. Hoofdhandgreep

Het toerental van het gereedschap veranderen

Het toerental kan in drie stappen worden veranderd - hoog, gemiddeld en laag - afhankelijk van de toepassing en werkbelasting.

Druk op de aan-uit-/toerentalkeuzeknop om de toerentalinstelling te veranderen.

► **Fig.4:** 1. Aan-uit-/toerentalkeuzeknop

Tabel met toerentalinstellingen

| Toerentalinstelling | Toerental per minuut |
|---------------------|--------------------------|
| 3 (Hoog) | 12.000 min ⁻¹ |
| 2 (Gemiddeld) | 8.000 min ⁻¹ |
| 1 (Laag) | 4.000 min ⁻¹ |

KENNISGEVING: Als het gereedschap gedurende een lange tijd continu op een laag toerental wordt gebruikt, wordt de motor overbelast, waardoor het gereedschap defect raakt.

KENNISGEVING: Selecteer een geschikt toerentalbereik voor uw schuurwerkzaamheden om te voorkomen dat uw werkstuk oververhit raakt en smelt. Bij schuren op een hoog toerental kan het werkstuk heet worden en smelten op het aanrakingspunt.

Elektronische functie

Het gereedschap is uitgerust met elektronische aansturing voor een gemakkelijke bediening.

Constant-toerentalregeling

Deze functie zorgt voor een constant toerental voor een gladde afwerking.

MONTAGE

⚠ LET OP: Zorg altijd dat het gereedschap is uitgeschakeld en de accu ervan is verwijderd alvorens enig werk aan het gereedschap uit te voeren.

Het schuurpapier aanbrengen en verwijderen

⚠ LET OP: Zorg er altijd voor dat vóór gebruik een vel schuurpapier stevig is aangebracht. Anders kan het papier loslaten, gemakkelijk eraf komen en verschuiven waardoor een ongelijkmatige schuurwerking ontstaat.

Het schuurpapier gebruiken dat bij het gereedschap werd geleverd

1. Houd de klemhendel omlaag geduwd aan de voor- of achterkant van het steunblok en schuif deze weg van de aanslag zodat de klem wordt ontgrendeld uit zijn vergrendelde stand.

2. Trek de klemhendel zo ver mogelijk naar buiten om ruimte te creëren tussen de klem en de zijkant van de schuurzool zodat een uiteinde van het schuurpapier daarin kan worden gestoken.

► **Fig.5:** 1. Klemhendel 2. Aanslag 3. Klem
4. Schuurzool 5. Steunblok

3. Plaats een vel schuurpapier op het steunblok en lijn daarbij de stofafzuigaten in het papier uit met die in het steunblok.

► **Fig.6:** 1. Schuurpapier 2. Steunblok 3. Stofafzuigat

4. Steek één uiteinde van het schuurpapier op zijn plaats tussen de klem en de schuurzool.

5. Zet de klemhendel terug in zijn vergrendelde stand zodat het uiteinde van het schuurpapier stevig wordt vastgeklemd.

6. Ontgrendel de klem aan de andere kant en breng het andere uiteinde van het schuurpapier in positie, klaar om te worden vastgeklemd.

7. Breng het schuurpapier op de juiste spanning en zet daarna de klemhendel aan de andere kant in de vergrendelde stand.

► **Fig.7:** 1. Schuurpapier 2. Klem 3. Schuurzool
4. Klemhendel 5. Aanslag

8. Om het schuurpapier te verwijderen, ontgrendelt u de klemmen aan beide kanten en verwijdert u het schuurpapier vanaf het steunblok.

Schuurpapier gebruiken uit een winkel

1. Knip een vel schuurpapier af van de juiste afmetingen.

► **Fig.8:** 1. Schuurpapier 2. Steunblok

2. Houd de klemhendel omlaag gedruwd aan de voor- of achterkant van het steunblok en schuif deze weg van de aanslag zodat de klem wordt ontgrendeld uit zijn vergrendelde stand.

3. Trek de klemhendel zo ver mogelijk naar buiten om ruimte te creëren tussen de klem en de zijkant van de schuurzool zodat een uiteinde van het schuurpapier daarin kan worden gestoken.

4. Steek één uiteinde van het schuurpapier op zijn plaats tussen de klem en de schuurzool.

5. Verschuif het schuurpapier zodat het precies het oppervlak van het steunblok bedekt.

6. Zet de klemhendel terug in zijn vergrendelde stand om het uiteinde van het schuurpapier stevig vast te klemmen.

7. Ontgrendel de klem aan de andere kant en breng het andere uiteinde van het schuurpapier in positie, klaar om te worden vastgeklemd.

8. Breng het schuurpapier op de juiste spanning en zet daarna de klemhendel aan de andere kant in de vergrendelde stand.

► **Fig.9:** 1. Schuurpapier 2. Klem 3. Schuurzool
4. Klemhendel 5. Aanslag

9. Plaats de perforeerplaat op het schuurpapier met zijn pasranden goed aansluitend op twee zijden van het steunblok en de schuurzool.

► **Fig.10:** 1. Schuurpapier 2. Perforeerplaat
3. Pasranden 4. Steunblok 5. Schuurzool

10. Duw de perforeerplaat op het schuurpapier om stofafzuiggangen te maken.

11. Om het schuurpapier te verwijderen, ontgrendelt u de klemmen aan beide kanten en verwijdert u het schuurpapier vanaf het steunblok.

Klittenbandschuurpapier gebruiken

Optioneel accessoire

▲LET OP: Verzeker u ervan dat het klittenbandsteunblok correct en stevig wordt aangebracht. Een loszittende bevestiging zal leiden tot een ongebalanseerde werking en buitensporige trillingen, wat leidt tot verlies van controle over het gereedschap.

▲LET OP: Verzeker u ervan dat het klittenbandsteunblok en -schuurpapier zijn uitgelijnd en stevig zijn bevestigd.

▲LET OP: Gebruik uitsluitend klittenband-schuurpapier. Gebruik nooit drukgevoelig schuurpapier.

1. Draai de vier schroeven los waarmee het steunblok is bevestigd aan de schuurzool.

2. Vervang het steunblok waarmee het gereedschap standaard is uitgerust door een optioneel klittenbandsteunblok.

3. Draai de schroeven weer stevig vast om het klittenbandsteunblok te bevestigen.

► **Fig.11:** 1. Schroeven 2. Schuurzool 3. Steunblok

4. Verwijder al het vuil en vreemd materiaal vanaf het klittenbandsteunblok.

5. Bevestig een optioneel vel klittenbandschuurpapier op het steunblok en lijn daarbij de stofafzuiggangen in het papier uit met die in het steunblok.

► **Fig.12:** 1. Schuurpapier 2. Steunblok
3. Stofafzuig gat

6. Om het schuurpapier te verwijderen, trekt u het vanaf de rand eraf.

▲LET OP: Bij het vervangen van het steunblok kan de O-ring uit de schuurzool losraken. Plaats de O-ring terug in de cirkelvormige groeven rond het midden van de schuurzool voordat u het optionele steunblok aanbrengt.

► **Fig.13:** 1. O-ring 2. Schuurzool 3. Cirkelvormige groeven

De stofzak aanbrengen en verwijderen

Optioneel accessoire

Bevestig de stofzak over de tapse stofuitwerpmond aan de achterkant van het motorhuis. Plaats de stofinlaatopening van de stofzak zo ver mogelijk over de stofuitwerpmond om te voorkomen dat deze tijdens gebruik eraf komt.

► **Fig.14:** 1. Stofuitwerpmond 2. Stofinlaatopening
3. Stofzak

OPMERKING: Verzeker u ervan dat de stofzak wordt aangebracht met de ritssluiting omlaag gericht.

OPMERKING: Om zeker te zijn van een optimale stofafvang, maakt u de stofzak leeg wanneer deze ongeveer halfvol zit.

Verwijder de stofzak vanaf het gereedschap en trek de sluiting eruit. Maak de stofzak vervolgens leeg door hem voorzichtig te schudden of ertegen te tikken.

De stofopvangdoos aanbrengen en verwijderen

Optioneel accessoire

Bevestig de stofopvangdoos over de tapse stofuitwerpmond aan de achterkant van het motorhuis. Plaats het stofmondstuk zo ver mogelijk over de stofuitwerpmond om te voorkomen dat deze tijdens gebruik eraf komt.

- **Fig.15:** 1. Stofuitwerpmond 2. Stofmondstuk
3. Stofopvangdoos

OPMERKING: Om zeker te zijn van een optimale stofafvang, maakt u de stofopvangdoos leeg wanneer deze ongeveer halvol zit.

1. Verwijder de stofopvangdoos vanaf het gereedschap.
2. Maak het stofmondstuk los van de stofopvangdoos terwijl u de vergrendelingen aan beide zijanten van de stofopvangdoos ingedrukt houdt.
3. Maak de stofopvangdoos vervolgens leeg door hem te schudden of ertegen te tikken.

Het filter vervangen

KENNISGEVING: Let erop dat bij het weer aanbrengen van de componenten alle logo's op de stofopvangdoos, het filter en het stofmondstuk in dezelfde richting wijzen.

1. Verwijder de stofopvangdoos vanaf het gereedschap.
2. Maak het stofmondstuk los van de stofopvangdoos terwijl u de vergrendelingen aan beide zijanten van de stofopvangdoos ingedrukt houdt.
► **Fig.16:** 1. Stofmondstuk 2. Stofopvangdoos
3. Vergrendeling
3. Houd de binnenzijde van de bovenrand van de kartonnen opening vast en trek deze omlaag en eraf om de buitenzijde van de bovenrand van de kartonnen opening los te maken van de vergrendellip op de bovenrand van de stofopvangdoos.
4. Haal het filter uit de stofopvangdoos terwijl u de buitenzijde van de onderrand van de kartonnen opening los maakt van de vergrendellip op de onderrand van de stofopvangdoos.
► **Fig.17:** 1. Filter 2. Kartonnen opening
3. Vergrendellip op de bovenrand
4. Vergrendellip op de onderrand
5. Stofopvangdoos
5. Plaats het nieuwe filter door de onderrand van de kartonnen opening vast te maken achter de vergrendellip op de onderrand van de stofopvangdoos, en vervolgens de bovenrand van de kartonnen opening naar binnen te drukken tot deze wordt vergrendeld achter de vergrendellip op de bovenrand van de stofopvangdoos.
► **Fig.18:** 1. Filter 2. Kartonnen opening
3. Vergrendellip op de bovenrand
4. Vergrendellip op de onderrand
5. Stofopvangdoos
6. Klik het stofmondstuk op zijn plaats terwijl u de vergrendelingen aan beide zijanten van de stofopvangdoos ingedrukt houdt.
► **Fig.19:** 1. Stofmondstuk 2. Stofopvangdoos
3. Vergrendeling

De voorhandgreep aanbrengen en verwijderen

Aanbrengen

Breng vóór gebruik de voorhandgreep aan op het gereedschap in het geval deze los geleverd worden in de doos. Steek het uiteinde van de voorhandgreep in de opening in het motorhuis en lijn daarbij de vorm van het uiteinde van de voorhandgreep uit met de vorm van de opening. Duw en houd de voorhandgreep stevig tegen het motorhuis en draai hem 90 graden zodat het greepvlak omhoog wijst.

- **Fig.20:** 1. Voorhandgreep 2. Opening 3. Motorhuis
4. Greepvlak

⚠ LET OP: Trek na het aanbrengen aan de voorhandgreep om te controleren of deze stevig is aangebracht.

KENNISGEVING: Verzeker u ervan de voorhandgreep helemaal in de opening te duwen en hem daar te houden terwijl u de voorhandgreep draait. Als u dat niet doet, kan het gereedschap worden beschadigd.

Verwijderen

Door de afneembare voorhandgreep te verwijderen, kunnen schuurwerkzaamheden in krappe, gesloten ruimten en moeilijk bereikbare plaatsen effectief worden uitgevoerd.

Duw en houd de voorhandgreep stevig tegen het motorhuis en draai hem 90 graden linksom of rechtsom. Trek hem daarna van het gereedschap af.

Een stofzuiger aansluiten

Optioneel accessoire

Wanneer u tijdens het schuren schoon wilt werken, sluit u een Makita-stofzuiger aan op uw gereedschap. Gebruik een optionele slang van 28 mm of een combinatie van voorste aansluitstuk 22 en de slang die bij de stofzuiger werd geleverd om het gereedschap aan te sluiten.

- **Fig.21:** 1. Stofuitwerpmond 2. Voorste aansluitstuk
3. Slang 4. Stofzuiger

De accubeschermer aanbrengen en verwijderen

Optioneel accessoire

De accubeschermer is bedoeld om de accu en het werkstuk te beschermen.

- **Fig.22:** 1. Accubeschermer

⚠ LET OP: Houd de accubeschermer nooit met uw hand vast wanneer u het gereedschap van de ene plaats naar de andere draagt of wanneer u het gereedschap vasthoudt terwijl het niet wordt gebruikt.

OPMERKING: De accubeschermer kan niet worden gebruikt met de dunne accu's, zoals de BL1815N en BL1820B.

Om de accubeschermer aan te brengen, volgt u de onderstaande stappen.

1. Steek de accu in de accubeschermer, zoals aangegeven in de afbeelding.

► Fig.23

2. Duw de accu in de accubeschermer zodat de uitsteeksels in de accubeschermer vallen in de gaten in de accu.

► Fig.24: 1. Gat 2. Uitsteeksel

3. Verzeker u ervan dat de vier hoeken stevig zijn vergrendeld in de accubeschermer.

► Fig.25

Om de accubeschermer te verwijderen, maakt u de vier hoeken los en trekt u de accu langzaam uit de accubeschermer zodat de uitsteeksels uit de gaten van de accu komen. Terwijl u de accu eruit trekt, houdt u de accu en de accubeschermer stevig vast.

BEDIENING

Schuren

⚠ALLET OP: Schakel het gereedschap nooit in zonder dat schuurpapier is aangebracht. Hierdoor kan de schuurzool ernstig worden beschadigd.

⚠ALLET OP: Forceer het gereedschap nooit. Door buitensporige druk kan de efficiëntie van het schuren lager worden, het schuurpapier beschadigd worden en/of de levensduur van het gereedschap verkort worden.

Schuren op vrijliggende plaatsen

1. Houd het gereedschap stevig vast met beide handen: één op de hoofdgriep en de andere op de voorhandgriep.

2. Schakel het gereedschap in en wacht totdat het op volle snelheid werkt.

3. Plaats voorzichtig het gereedschap op het oppervlak van het werkstuk.

4. Houd het volledige steunblok in contact met het oppervlak van het werkstuk en oefen lichte druk uit op het gereedschap.

► Fig.26

Schuren op omsloten plaatsen

1. Verwijder de voorhandgriep vanaf het gereedschap.

2. Houd de hoofdgriep met één hand vast.

3. Schakel het gereedschap in en wacht totdat het op volle snelheid werkt.

4. Plaats voorzichtig het gereedschap op het oppervlak van het werkstuk.

5. Houd het volledige steunblok in contact met het oppervlak van het werkstuk en oefen lichte druk uit op het gereedschap.

6. Beweeg het gereedschap langs bochten, muren en andere omsloten plaatsen, en schuur zo nodig met de voorrand en hoeken van het steunblok.

► Fig.27

FUNCTIE VOOR DRAADLOOS INSCHAKELLEN

Alleen voor model DBO381

KENNISGEVING: De functie voor draadloos inschakelen is alleen beschikbaar wanneer een ondersteunde stofzuiger is aangesloten.

Mogelijkheden van de functie voor draadloos inschakelen

Met de functie voor draadloos inschakelen kunt u schoon en comfortabel werken. Door een ondersteunde stofzuiger aan te sluiten op het gereedschap, kunt u de stofzuiger automatisch laten in- en uitschakelen bij bediening van de schakelaar van het gereedschap.

► Fig.28

Om de functie voor draadloos inschakelen te gebruiken, dient u de volgende zaken voor te bereiden:

- Een draadloos-eenheid (optioneel accessoire)
- Een stofzuiger die de functie voor draadloos inschakelen ondersteunt

In het kort bestaat het instellen van de functie voor draadloos inschakelen uit de volgende punten. Raadpleeg elke paragraaf voor informatie over de procedure.

1. De draadloos-eenheid aanbrengen
2. Registratie van het gereedschap op de stofzuiger
3. De functie voor draadloos inschakelen starten

De draadloos-eenheid aanbrengen

Optioneel accessoire

⚠ALLET OP: Plaats het gereedschap op een vlakke en stabiele ondergrond wanneer u de draadloos-eenheid aanbrengt.

KENNISGEVING: Verwijder het stof en vuil vanaf het gereedschap voordat u de draadloos-eenheid aanbrengt. Stof en vuil kunnen een storing veroorzaken wanneer ze binnendringen in de gleuf voor de draadloos-eenheid.

KENNISGEVING: Om een storing als gevolg van statische elektriciteit te voorkomen, raakt u een materiaal aan dat statische elektriciteit ontlad, zoals een metalen onderdeel van het gereedschap, voordat u de draadloos-eenheid oppakt.

KENNISGEVING: Let er bij het aanbrengen van de draadloos-eenheid altijd op dat de draadloos-eenheid in de correcte richting wordt aangebracht en dat de afdekking volledig wordt gesloten.

1. Open de afdekking op het gereedschap, zoals aangegeven in de afbeelding.

► **Fig.29:** 1. Afdekking

2. Breng de draadloos-eenheid aan in de gleuf en sluit vervolgens de afdekking.

Wanneer u de draadloos-eenheid aanbrengt, lijnt u de uitsteeksels uit met de uitsparingen in de gleuf.

► **Fig.30:** 1. Draadloos-eenheid 2. Uitsteeksel 3. Afdekking 4. Uitsparing

Wanneer u de draadloos-eenheid verwijdert, opent u langzaam de afdekking. De haken op de achterkant van de afdekking, tillen de draadloos-eenheid op terwijl u de afdekking omhoog trekt.

► **Fig.31:** 1. Draadloos-eenheid 2. Haak 3. Afdekking

Nadat de draadloos-eenheid is verwijderd, bewaart u hem in de bijgeleverde doos of een antistatische container.

KENNISGEVING: Gebruik altijd de haken op de achterkant van de afdekking wanneer u de draadloos-eenheid verwijdert. Als de haken niet aangrijpen op de draadloos-eenheid, sluit u de afdekking volledig en opent u hem weer langzaam.

Registratie van het gereedschap op de stofzuiger

OPMERKING: Een stofzuiger van Makita die de functie voor draadloos inschakelen ondersteunt, is vereist voor registratie van het gereedschap.

OPMERKING: Voltooi het aanbrengen van de draadloos-eenheid in het gereedschap voordat u de registratie van het gereedschap start.

OPMERKING: Gedurende de registratie van het gereedschap mag u de trekkerschakelaar van het gereedschap niet inknippen en de aan-uitknop van de stofzuiger niet bedienen.

OPMERKING: Raadpleeg tevens de gebruiksaanwijzing van de stofzuiger.

Als u wilt dat de stofzuiger wordt ingeschakeld tegelijk met de bediening van de schakelaar van het gereedschap, moet u van tevoren de registratie van het gereedschap voltooien.

1. Breng de accu's aan in de stofzuiger en het gereedschap.

2. Zet de standbyschakelaar op de stofzuiger op "AUTO".

► **Fig.32:** 1. Standbyschakelaar

3. Houd de knop voor draadloos inschakelen op de stofzuiger gedurende 3 seconden ingedrukt totdat de lamp van draadloos inschakelen groen knippert. En houd daarna op dezelfde manier de knop voor draadloos inschakelen op het gereedschap ingedrukt.

► **Fig.33:** 1. Knop voor draadloos inschakelen 2. Lamp van draadloos inschakelen

Nadat de stofzuiger en het gereedschap met succes aan elkaar zijn gekoppeld, zullen de lampen van draadloos inschakelen gedurende 2 seconden groen branden, waarna ze blauw gaan knipperen.

OPMERKING: De lampen van draadloos inschakelen stoppen na 20 seconden met groen knipperen. Druk op de knop voor draadloos inschakelen op het gereedschap terwijl de lamp van draadloos inschakelen op de stofzuiger knippert. Als de lamp van draadloos inschakelen niet groen knippert, drukt u kort op de knop voor draadloos inschakelen en houdt u deze weer ingedrukt.

OPMERKING: Als u twee of meer gereedschappen registreert op één stofzuiger, voltooit u de registratie van de gereedschappen één voor één.

De functie voor draadloos inschakelen starten

OPMERKING: Voltooi de registratie van het gereedschap op de stofzuiger voordat u de functie draadloos inschakelen gebruikt.

OPMERKING: Raadpleeg tevens de gebruiksaanwijzing van de stofzuiger.

Nadat een gereedschap in de stofzuiger is geregistreerd, wordt de stofzuiger automatisch in- en uitgeschakeld door de bediening van de schakelaar van het gereedschap.

1. Breng de draadloos-eenheid aan in het gereedschap.

2. Sluit de slang van de stofzuiger aan op het gereedschap.

► **Fig.34**

3. Zet de standbyschakelaar op de stofzuiger op "AUTO".

► **Fig.35:** 1. Standbyschakelaar

4. Druk kort op de knop voor draadloos inschakelen op het gereedschap. De lamp van draadloos inschakelen knippert blauw.

► **Fig.36:** 1. Knop voor draadloos inschakelen 2. Lamp van draadloos inschakelen

5. Schakel het gereedschap in. Controleer of de stofzuiger is ingeschakeld terwijl het gereedschap in gebruik is.

Om het draadloos inschakelen van de stofzuiger te stoppen, drukt u op de knop voor draadloos inschakelen op het gereedschap.

OPMERKING: De lamp van draadloos inschakelen op het gereedschap stopt met blauw knipperen wanneer gedurende 2 uur geen bediening plaatsvindt. In dat geval zet u de standbyschakelaar van de stofzuiger op "AUTO" en drukt u nogmaals op de knop voor draadloos inschakelen op het gereedschap.

OPMERKING: De stofzuiger wordt met een vertragende in- en uitgeschakeld. Er treedt een tijdsvertraging op wanneer de stofzuiger de bediening van de schakelaar van het gereedschap detecteert.










OPMERKING: Het zendbereik van de draadloos-eenheid kan variëren afhankelijk van de locatie en omgevingsomstandigheden.

OPMERKING: Als twee of meer gereedschappen zijn geregistreerd in één stofzuiger, kan de stofzuiger worden ingeschakeld ondanks dat u uw gereedschap niet inschakelt omdat een andere gebruiker de functie voor draadloos inschakelen gebruikt.

Beschrijving van de status van de lamp van draadloos inschakelen

► Fig.37: 1. Lamp van draadloos inschakelen

De lamp van draadloos inschakelen toont de status van de functie voor draadloos inschakelen. Raadpleeg de onderstaande tabel voor de betekenis van de status van de lamp.

| Status | Lamp van draadloos inschakelen | | | | Beschrijving |
|---|--------------------------------|--|--|-------------------------------|---|
| | Kleur |  Brandt |  Knippert | Duur | |
| Standby | Blauw |  | | 2 uur | Het draadloos inschakelen van de stofzuiger is beschikbaar. De lamp wordt automatisch uitgeschakeld wanneer gedurende 2 uur geen bediening plaatsvindt. |
| | |  | | Bij ingeschakeld gereedschap. | Het draadloos inschakelen van de stofzuiger is beschikbaar en het gereedschap is ingeschakeld. |
| Registratie van het gereedschap | Groen |  | | 20 seconden | Klaar voor registratie van het gereedschap. Wachten op registratie door de stofzuiger. |
| | |  | | 2 seconden | De registratie van het gereedschap is voltooid. De lamp van draadloos inschakelen knippert blauw. |
| Registratie van het gereedschap annuleren | Rood |  | | 20 seconden | Klaar om de registratie van het gereedschap te annuleren. Wachten op annuleren door de stofzuiger. |
| | |  | | 2 seconden | Het annuleren van de registratie van het gereedschap is voltooid. De lamp van draadloos inschakelen knippert blauw. |
| Overig | Rood |  | | 3 seconden | De draadloos-eenheid wordt van stroom voorzien en de functie voor draadloos inschakelen start nu op. |
| | Uit | - | | - | Het draadloos inschakelen van de stofzuiger is gestopt. |

Registratie van het gereedschap op de stofzuiger annuleren

Voer de volgende procedure uit om de registratie van het gereedschap in de stofzuiger te annuleren.

1. Breng de accu's aan in de stofzuiger en het gereedschap.

2. Zet de standbyschakelaar op de stofzuiger op "AUTO".

► Fig.38: 1. Standbyschakelaar

3. Houd de knop voor draadloos inschakelen op de stofzuiger gedurende 6 seconden ingedrukt. De lamp van draadloos inschakelen knippert groen en brandt daarna rood. Houd daarna op dezelfde manier de knop voor draadloos inschakelen op het gereedschap ingedrukt.

► Fig.39: 1. Knop voor draadloos inschakelen
2. Lamp van draadloos inschakelen

Als het annuleren met succes is uitgevoerd, zullen de lampen van draadloos inschakelen gedurende 2 seconden rood branden, waarna ze blauw gaan knipperen.

OPMERKING: De lampen van draadloos inschakelen stoppen na 20 seconden met rood knipperen. Druk op de knop voor draadloos inschakelen op het gereedschap terwijl de lamp van draadloos inschakelen op de stofzuiger knippert. Als de lamp van draadloos inschakelen niet rood knippert, drukt u kort op de knop voor draadloos inschakelen en houdt u deze weer ingedrukt.

Storingzoeken van de functie voor draadloos inschakelen

Alvorens u verzoekt om reparatie, kunt u zelf als volgt het probleem opsporen en oplossen. Als u met een probleem kampt dat in deze handleiding niet wordt beschreven, probeer dan niet het gereedschap te demonteren. Laat reparaties over aan een erkend Makita-servicecentrum, uitsluitend met gebruik van originele Makita-ervangingsonderdelen.

| Probleemomschrijving | Waarschijnlijke oorzaak (storing) | Oplossing |
|--|--|--|
| De lamp van draadloos inschakelen brandt/knippert niet. | De draadloos-eenheid is niet aangebracht in het gereedschap. De draadloos-eenheid is verkeerd aangebracht in het gereedschap. | Breng de draadloos-eenheid op de juiste wijze aan. |
| | De aansluitingen van de draadloos-eenheid en/of de gleuf zijn vuil. | Veeg het stof en vuil op de aansluitingen van de draadloos-eenheid voorzichtig af en reinig de gleuf. |
| | Er is niet op de knop voor draadloos inschakelen op het gereedschap gedrukt. | Druk kort op de knop voor draadloos inschakelen op het gereedschap. |
| | De standbyschakelaar op de stofzuiger is niet op "AUTO" gezet. | Zet de standbyschakelaar op de stofzuiger op "AUTO". |
| | Geen voeding. | Voorzie het gereedschap en de stofzuiger van voeding. |
| De registratie van het gereedschap/het annuleren van de registratie van het gereedschap kan niet met succes worden voltooid. | De draadloos-eenheid is niet aangebracht in het gereedschap. De draadloos-eenheid is verkeerd aangebracht in het gereedschap. | Breng de draadloos-eenheid op de juiste wijze aan. |
| | De aansluitingen van de draadloos-eenheid en/of de gleuf zijn vuil. | Veeg het stof en vuil op de aansluitingen van de draadloos-eenheid voorzichtig af en reinig de gleuf. |
| | De standbyschakelaar op de stofzuiger is niet op "AUTO" gezet. | Zet de standbyschakelaar op de stofzuiger op "AUTO". |
| | Geen voeding. | Voorzie het gereedschap en de stofzuiger van voeding. |
| | Onjuiste bediening | Druk kort op de knop voor draadloos inschakelen en voer de procedures voor de registratie/het annuleren van de registratie opnieuw uit. |
| | Het gereedschap en de stofzuiger staan te ver uit elkaar (buiten het zendbereik). | Plaats het gereedschap en de stofzuiger dicht bij elkaar. Het maximale zendbereik is ongeveer 10 meter, echter, dit kan verschillen afhankelijk van de omstandigheden. |
| | Voordat de registratie van het gereedschap/het annuleren van de registratie van het gereedschap werd voltooid: - de schakelaar van het gereedschap werd aan gezet of; - de aan-uitknop op de stofzuiger werd ingeschakeld. | Druk kort op de knop voor draadloos inschakelen en voer de procedures voor de registratie/het annuleren van de registratie opnieuw uit. |
| | De procedure voor de registratie van het gereedschap op het gereedschap of de stofzuiger is niet voltooid. | Voer de procedure voor de registratie van het gereedschap tegelijkertijd uit op het gereedschap en de stofzuiger. |
| | Radiostoring door andere apparaten die sterke radiogolven genereren. | Houd het gereedschap en de stofzuiger uit de buurt van apparaten zoals Wi-Fi-apparaten en magnetrons. |

| Probleemomschrijving | Waarschijnlijke oorzaak (storing) | Oplossing |
|--|--|--|
| De stofzuiger wordt niet in- en uitgeschakeld tegelijk met de bediening van de schakelaar van het gereedschap. | De draadloos-eenheid is niet aangebracht in het gereedschap. De draadloos-eenheid is verkeerd aangebracht in het gereedschap. | Breng de draadloos-eenheid op de juiste wijze aan. |
| | De aansluitingen van de draadloos-eenheid en/of de gleuf zijn vuil. | Veeg het stof en vuil op de aansluitingen van de draadloos-eenheid voorzichtig af en reinig de gleuf. |
| | Er is niet op de knop voor draadloos inschakelen op het gereedschap gedrukt. | Druk kort op de knop voor draadloos inschakelen en controleer of de lamp van draadloos inschakelen blauw knippert. |
| | De standbyschakelaar op de stofzuiger is niet op "AUTO" gezet. | Zet de standbyschakelaar op de stofzuiger op "AUTO". |
| | Meer dan 10 gereedschappen zijn geregistreerd in de stofzuiger. | Voer de registratie van het gereedschap opnieuw uit. Als meer dan 10 gereedschappen zijn geregistreerd in de stofzuiger, wordt de eerste registratie van een gereedschap automatisch gewist. |
| | De stofzuiger heeft alle registraties van de gereedschappen gewist. | Voer de registratie van het gereedschap opnieuw uit. |
| | Geen voeding. | Voorzie het gereedschap en de stofzuiger van voeding. |
| | Het gereedschap en de stofzuiger staan te ver uit elkaar (buiten het zendbereik). | Plaats het gereedschap en de stofzuiger dicht bij elkaar. Het maximale zendbereik is ongeveer 10 meter, echter, dit kan verschillen afhankelijk van de omstandigheden. |
| | Radiostoring door andere apparaten die sterke radiogolven genereren. | Houd het gereedschap en de stofzuiger uit de buurt van apparaten zoals Wi-Fi-apparaten en magnetrons. |
| De stofzuiger is ingeschakeld terwijl het gereedschap niet in gebruik is. | Andere gebruikers gebruiken op hun gereedschap de functie voor draadloos inschakelen van de stofzuiger. | Schakel de knop voor draadloos inschakelen van de andere gereedschappen uit of annuleer de registratie van de andere gereedschappen. |

ONDERHOUD

⚠ LET OP: Zorg altijd dat het gereedschap is uitgeschakeld en de accu ervan is verwijderd alvorens te beginnen met onderhoud of inspectie.

KENNISGEVING: Gebruik nooit benzine, wasbenzine, thinner, alcohol en dergelijke. Hierdoor kunnen verkleuring, vervormingen en barsten worden veroorzaakt.

Om de VEILIGHEID en BETROUWBAARHEID van het gereedschap te handhaven, dienen alle reparaties, onderhoud of afstellingen te worden uitgevoerd bij een erkend Makita-servicecentrum of de Makita-fabriek, en altijd met gebruik van Makita-ervangingsonderdelen.

Na het gebruik

Veeg met regelmatige intervallen het gereedschap af met een droge doek of een doek die licht bevochtigd is met zeepwater.

OPTIONELE ACCESSOIRES

⚠ LET OP: Deze accessoires of hulpstukken worden aanbevolen voor gebruik met het Makita gereedschap dat in deze gebruiksaanwijzing is beschreven. Bij gebruik van andere accessoires of hulpstukken bestaat het gevaar van persoonlijke letsel. Gebruik de accessoires of hulpstukken uitsluitend voor hun bestemde doel.

Wenst u meer bijzonderheden over deze accessoires, neem dan contact op met het plaatselijke Makita-servicecentrum.

- Schuurpapier (voorzien van gaten)
- Klittenbandschuurpapier
- Perforeerplaat
- Rugschijf (voor gebruik met klittenbandschuurpapier)
- Rugschijf (voor gebruik met conventioneel schuurpapier)
- Stofzak
- Stofopvangdoos
- Filter
- Slang
- Draadloos-eenheid (Alleen voor model DBO381)
- Accubeschermer
- Originele Makita accu's en acculaders

OPMERKING: Sommige items op de lijst kunnen zijn ingegrepen in de doos van het gereedschap als standaard toebehoren. Deze kunnen van land tot land verschillen.

ESPECIFICACIONES

| Modelo: | DBO380 | DBO381 |
|---|----------------|--------------------------|
| Tamaño de la almohadilla | 93 mm x 185 mm | |
| Tamaño del papel abrasivo | 93 mm x 228 mm | |
| Órbitas por minuto | Alta | 12.000 min ⁻¹ |
| | Media | 8.000 min ⁻¹ |
| | Baja | 4.000 min ⁻¹ |
| Longitud total (con empuñadura delantera) | 336 mm | |
| Tensión nominal | CC18 V | |
| Peso neto | 1,9 - 2,2 kg | |

- Debido a nuestro continuado programa de investigación y desarrollo, las especificaciones aquí dadas están sujetas a cambios sin previo aviso.
- Las especificaciones y el cartucho de batería pueden diferir de país a país.
- El peso puede variar dependiendo del accesorio(s), incluyendo el cartucho de batería. La combinación menos pesada y la más pesada, de acuerdo con el procedimiento EPTA 01/2014, se muestran en la tabla.

Cartucho de batería y cargador aplicables

| | |
|---------------------|---|
| Cartucho de batería | BL1815N / BL1820B / BL1830B / BL1840B / BL1850B / BL1860B |
| Cargador | DC18RC / DC18RD / DC18RE / DC18SD / DC18SE / DC18SF / DC18SH / DC18WC |

- Algunos de los cartuchos de batería y cargadores indicados arriba puede que no estén disponibles dependiendo de su región de residencia.

⚠ADVERTENCIA: Utilice solamente los cartuchos de batería y cargadores listados arriba. La utilización de cualquier otro cartucho de batería y cargador puede ocasionar heridas y/o un incendio.

Uso previsto

La herramienta ha sido diseñada para lijar superficies grandes de madera, plástico y materiales metálicos, así como también superficies pintadas.

Ruido

El nivel de ruido A-ponderado típico determinado de acuerdo con la norma EN62841-2-4:

Modelo DBO380

Nivel de presión sonora (L_{pA}) : 72 dB (A)

Error (K) : 3 dB (A)

Modelo DBO381

Nivel de presión sonora (L_{pA}) : 72 dB (A)

Error (K) : 3 dB (A)

El nivel de ruido en situación de trabajo puede exceder 80 dB (A).

NOTA: El valor (o los valores) de emisión de ruido declarado ha sido medido de acuerdo con un método de prueba estándar y se puede utilizar para comparar una herramienta con otra.

NOTA: El valor (o valores) de emisión de ruido declarado también se puede utilizar en una valoración preliminar de exposición.

⚠ADVERTENCIA: Póngase protectores para oídos.

⚠ADVERTENCIA: La emisión de ruido durante la utilización real de la herramienta eléctrica puede variar del valor (o los valores) de emisión declarado dependiendo de las formas en las que la herramienta sea utilizada, especialmente qué tipo de pieza de trabajo se procesa.

⚠ADVERTENCIA: Asegúrese de identificar medidas de seguridad para proteger al operario que estén basadas en una estimación de la exposición en las condiciones reales de utilización (teniendo en cuenta todas las partes del ciclo operativo como las veces cuando la herramienta está apagada y cuando está funcionando en vacío además del tiempo de gatillo).

Vibración

El valor total de la vibración (suma de vectores triaxiales) determinado de acuerdo con la norma EN62841-2-4:

Modelo DBO380

Modo de trabajo: lijado de placas metálicas

Emisión de vibración (a_{hv}) : 3,6 m/s²

Error (K) : 1,5 m/s²

Modelo DBO381

Modo de trabajo: lijado de placas metálicas

Emisión de vibración (a_{hv}) : 3,6 m/s²

Error (K) : 1,5 m/s²

NOTA: El valor (o los valores) total de emisión de vibración declarado ha sido medido de acuerdo con un método de prueba estándar y se puede utilizar para comparar una herramienta con otra.

NOTA: El valor (o los valores) total de emisión de vibración declarado también se puede utilizar en una valoración preliminar de exposición.

⚠ADVERTENCIA: La emisión de vibración durante la utilización real de la herramienta eléctrica puede variar del valor (o los valores) de emisión declarado dependiendo de las formas en las que la herramienta sea utilizada, especialmente qué tipo de pieza de trabajo se procesa.

⚠ADVERTENCIA: Asegúrese de identificar medidas de seguridad para proteger al operario que estén basadas en una estimación de la exposición en las condiciones reales de utilización (teniendo en cuenta todas las partes del ciclo operativo como las veces cuando la herramienta está apagada y cuando está funcionando en vacío además del tiempo de gatillo).

Declaración CE de conformidad

Para países europeos solamente

La declaración CE de conformidad está incluida como Anexo A de esta manual de instrucciones.

ADVERTENCIAS DE SEGURIDAD

Advertencias de seguridad para herramientas eléctricas en general

⚠ADVERTENCIA: Lea todas las advertencias de seguridad, instrucciones, ilustraciones y especificaciones provistas con esta herramienta eléctrica. Si no sigue todas las instrucciones indicadas abajo podrá resultar en una descarga eléctrica, un incendio y/o heridas graves.

Guarde todas las advertencias e instrucciones para futuras referencias.

El término "herramienta eléctrica" en las advertencias se refiere a su herramienta eléctrica de funcionamiento con conexión a la red eléctrica (con cable) o herramienta eléctrica de funcionamiento a batería (sin cable).

Advertencias de seguridad para la lijadora

1. Utilice siempre gafas de seguridad o gafas de protección. Las gafas normales o de sol NO son gafas de seguridad.
2. Sujete la herramienta firmemente.
3. No deje la herramienta en funcionamiento. Téngala la herramienta encendida solamente cuando la tenga en las manos.

4. Esta herramienta no es a prueba de agua; por lo tanto no utilice agua en la superficie de la pieza de trabajo.
5. Ventile adecuadamente su área de trabajo cuando realice operaciones de lijado.
6. Algunos materiales contienen sustancias químicas que podrán ser tóxicas. Tenga precaución para evitar la inhalación de polvo y el contacto con la piel. Siga los datos de seguridad del abastecedor del material.
7. La utilización de esta herramienta para lijar algunos productos, pinturas y madera podrá exponer al usuario a polvo que contenga sustancias peligrosas. Utilice protección respiratoria apropiada.
8. Asegúrese de que no hay grietas o roturas en la almohadilla antes de utilizarla. Las grietas o roturas pueden ocasionar heridas personales.
9. Observe el suelo donde pisa y mantenga su equilibrio con la herramienta. Asegúrese de que no haya nadie debajo cuando trabaje en lugares altos.

GUARDE ESTAS INSTRUCCIONES.

⚠ADVERTENCIA: NO deje que la comodidad o familiaridad con el producto (a base de utilizarlo repetidamente) sustituya la estricta observancia de las normas de seguridad para el producto en cuestión. El MAL USO o el no seguir las normas de seguridad establecidas en este manual de instrucciones podrá ocasionar graves heridas personales.

Instrucciones de seguridad importantes para el cartucho de batería

1. Antes de utilizar el cartucho de batería, lea todas las instrucciones e indicaciones de precaución sobre (1) el cargador de baterías, (2) la batería, y (3) el producto con el que se utiliza la batería.
2. No desensamble ni manipule el cartucho de batería. Podrá resultar en un incendio, calor excesivo, o una explosión.
3. Si el tiempo de uso se acorta demasiado, cese la operación inmediatamente. Podría resultar en un riesgo de recalentamiento, posibles quemaduras e incluso una explosión.
4. Si entra electrólito en sus ojos, aclárelos con agua limpia y acuda a un médico inmediatamente. Existe el riesgo de poder perder la vista.
5. No cortocircuite el cartucho de batería:
 - (1) No toque los terminales con ningún material conductor.
 - (2) Evite guardar el cartucho de batería en un cajón junto con otros objetos metálicos, como clavos, monedas, etc.
 - (3) No exponga el cartucho de batería al agua ni a la lluvia.Un cortocircuito en la batería puede producir una gran circulación de corriente, un recalentamiento, posibles quemaduras e incluso una rotura de la misma.

6. **No guarde ni utilice la herramienta y el cartucho de batería en lugares donde la temperatura pueda alcanzar o exceder los 50 °C.**
7. **Nunca incinere el cartucho de batería incluso en el caso de que esté dañado seriamente o ya no sirva en absoluto. El cartucho de batería puede explotar si se tira al fuego.**
8. **No clave, corte, aplaste, lance, deje caer el cartucho de batería, ni golpee contra un objeto duro el cartucho de batería.** Tal conducta podrá resultar en un incendio, calor excesivo, o una explosión.
9. **No utilice una batería dañada.**
10. **Las baterías de litio-ion contenidas están sujetas a los requisitos de la Legislación para Materiales Peligrosos.**
Para transportes comerciales, p.ej., por terceras personas y agentes de transportes, se deberán observar requisitos especiales para el empaquetado y etiquetado.
Para la preparación del artículo que se va a enviar, se requiere consultar con un experto en materiales peligrosos. Por favor, observe también la posibilidad de reglamentos nacionales más detallados. Cubra con cinta aislante o enmascare los contactos expuestos y empaquete la batería de tal manera que no se pueda mover alrededor dentro del embalaje.
11. **Para deshechar el cartucho de batería, retírelo de la herramienta y deséchelo en un lugar seguro. Siga los reglamentos locales referentes al desecho de la batería.**
12. **Utilice las baterías solamente con los productos especificados por Makita.** La instalación de las baterías en productos no compatibles puede resultar en un incendio, calor excesivo, explosión, o fuga de electrolito.
13. **Si la herramienta no va a ser utilizada durante un periodo de tiempo largo, la batería deberá ser retirada de la herramienta.**
14. **Durante y después de la utilización, el cartucho de batería podrá acumular calor, lo cual puede ocasionar quemaduras o quemaduras de baja temperatura. Preste atención al manejo de cartuchos de batería calientes.**
15. **No toque el terminal de la herramienta inmediatamente después de utilizar, dado que puede calentarse lo suficiente como para ocasionar quemaduras.**
16. **No permita que virutas, polvo, o tierra se adhieran dentro de los terminales, orificios, y ranuras del cartucho de batería.** Esto podría ocasionar calentamiento, que coja fuego, reviente y un mal funcionamiento de la herramienta o el cartucho de batería, resultando en quemaduras o heridas personales.
17. **A menos que la herramienta pueda utilizarse cerca de cables eléctricos de alta tensión, no utilice el cartucho de batería cerca de cables eléctricos de alta tensión.** Podrá resultar en un mal funcionamiento o rotura de la herramienta o el cartucho de batería.
18. **Mantenga la batería alejada de los niños.**

GUARDE ESTAS INSTRUCCIONES.

⚠PRECAUCIÓN: Utilice solamente baterías genuinas de Makita. La utilización de baterías no genuinas de Makita, o baterías que han sido alteradas, puede resultar en una explosión de la batería ocasionando incendios, heridas personales y daños. También anulará la garantía de Makita para la herramienta y el cargador de Makita.

Consejos para alargar al máximo la vida de servicio de la batería

1. **Cargue el cartucho de batería antes de que se descargue completamente. Detenga siempre la operación y cargue el cartucho de batería cuando note menos potencia en la herramienta.**
2. **No cargue nunca un cartucho de batería que esté completamente cargado. La sobrecarga acortará la vida de servicio de la batería.**
3. **Cargue el cartucho de batería a temperatura ambiente de 10 °C - 40 °C. Si un cartucho de batería está caliente, déjelo enfriar antes de cargarlo.**
4. **Cuando no esté utilizando el cartucho de batería, retírelo de la herramienta o del cargador.**
5. **Cargue el cartucho de batería si no lo utiliza durante un periodo de tiempo prolongado (más de seis meses).**

Instrucciones de seguridad importantes para la unidad inalámbrica

1. **No desmonte o manipule la unidad inalámbrica.**
2. **Mantenga la unidad inalámbrica alejada de niños pequeños. Si se ingiere accidentalmente, solicite atención médica inmediatamente.**
3. **Utilice la unidad inalámbrica solamente con herramientas Makita.**
4. **No exponga la unidad inalámbrica a la lluvia o a condiciones que se pueda mojar.**
5. **No utilice la unidad inalámbrica en lugares donde la temperatura exceda los 50 °C.**
6. **No utilice la unidad inalámbrica en lugares donde se encuentren cerca instrumentos médicos, tales como marcapasos cardiacos.**
7. **No utilice la unidad inalámbrica en lugares donde se encuentren cerca dispositivos automatizados. Si la utiliza, los dispositivos automatizados podrán desarrollar un mal funcionamiento o error.**
8. **No utilice la unidad inalámbrica en lugares de temperatura alta o lugares donde se pueda generar electricidad estática o ruido eléctrico.**
9. **La unidad inalámbrica puede producir campos electromagnéticos (CEM), pero no son perjudiciales para el usuario.**
10. **La unidad inalámbrica es un instrumento de precisión. Tenga cuidado de no dejar caer o golpear la unidad inalámbrica.**

11. Evite tocar el terminal de la unidad inalámbrica con las manos desnudas o materiales metálicos.
12. Retire siempre la batería del producto cuando vaya a instalar la unidad inalámbrica en él.
13. Cuando abra la tapa de la ranura, evite los lugares donde polvo y agua puedan entrar en la ranura. Mantenga siempre limpia la abertura de la ranura.
14. Inserte siempre la unidad inalámbrica en la dirección correcta.
15. No presione el botón de activación inalámbrica en la unidad inalámbrica con fuerza ni presione el botón con un objeto de borde cortante.
16. Cierre siempre la tapa de la ranura cuando esté realizando operaciones.
17. No retire la unidad inalámbrica de la ranura mientras se esté suministrando alimentación a la herramienta. Si lo hace podrá ocasionar un mal funcionamiento de la unidad inalámbrica.
18. No retire la etiqueta adhesiva de la unidad inalámbrica.
19. No ponga ninguna etiqueta adhesiva en la unidad inalámbrica.
20. No deje la unidad inalámbrica en un lugar donde se pueda generar electricidad estática o ruido eléctrico.
21. No deje la unidad inalámbrica en un lugar expuesto a mucho calor, tal como dentro de un automóvil aparcado al sol.
22. No deje la unidad inalámbrica en un lugar polvoriento o polvoroso o en un lugar donde se pueda generar gas corrosivo.
23. Un cambio repentino de la temperatura puede cubrir de rocío la unidad inalámbrica. No utilice la unidad inalámbrica hasta que el rocío se haya secado completamente.
24. Cuando limpie la unidad inalámbrica, frote con cuidado con un paño suave y seco. No utilice benzina, disolvente, grasa conductora o algo similar.
25. Cuando almacene la unidad inalámbrica, manténgala en la funda suministrada o en un contenedor libre de electricidad estática.
26. No inserte ningún dispositivo excepto la unidad inalámbrica de Makita en la ranura de la herramienta.
27. No utilice la herramienta con la tapa de la ranura dañada. Si entra en la ranura agua, polvo o suciedad puede ocasionar un mal funcionamiento.
28. No tire de la tapa de la ranura ni la retuerza más de lo necesario. Vuelva a colocar la tapa si se desprende de la herramienta.
29. Reemplace la tapa de la ranura si se pierde o se daña.

GUARDE ESTAS INSTRUCCIONES.

DESCRIPCIÓN DEL FUNCIONAMIENTO

⚠️ PRECAUCIÓN: Asegúrese siempre de que la herramienta está apagada y el cartucho de batería retirado antes de realizar cualquier ajuste o comprobación en la herramienta.

Instalación o extracción del cartucho de batería

⚠️ PRECAUCIÓN: Apague siempre la herramienta antes de instalar o retirar el cartucho de batería.

⚠️ PRECAUCIÓN: Sujete la herramienta y el cartucho de batería firmemente cuando instale o retire el cartucho de batería. Si no sujeta la herramienta y el cartucho de batería firmemente podrán caérsele de las manos y resultar en daños a la herramienta y al cartucho de batería y heridas personales.

► Fig.1: 1. Indicador rojo 2. Botón 3. Cartucho de batería

Para retirar el cartucho de batería, deslícelo de la herramienta mientras desliza el botón de la parte frontal del cartucho.

Para instalar el cartucho de batería, alinee la lengüeta del cartucho de batería con la ranura del alojamiento y deslícelo al interior hasta encajarlo en su sitio. Insértelo por completo hasta que se bloquee en su sitio con un pequeño chasquido. Si puede ver el indicador rojo como se muestra en la figura, no estará bloqueado completamente.

⚠️ PRECAUCIÓN: Instale siempre el cartucho de batería completamente hasta que no pueda verse el indicador rojo. En caso contrario, podrá caerse accidentalmente de la herramienta y ocasionarle heridas a usted o a alguien que esté cerca de usted.

⚠️ PRECAUCIÓN: No instale el cartucho de batería empleando fuerza. Si el cartucho no se desliza al interior fácilmente, será porque no está siendo insertado correctamente.

Modo de indicar la capacidad de batería restante

Solamente para cartuchos de batería con el indicador

► Fig.2: 1. Lámparas indicadoras 2. Botón de comprobación

Presione el botón de comprobación en el cartucho de batería para indicar la capacidad de batería restante. Las lámparas indicadoras se iluminan durante unos pocos segundos.

| Lámparas indicadoras | | | Capacidad restante |
|----------------------|---------|-------------|--|
| Iluminada | Apagada | Parpadeando | |
| ■ | □ | ▧ | 75% a 100% |
| ■ ■ ■ ■ | | | |
| ■ ■ ■ ■ | □ | | 50% a 75% |
| ■ ■ ■ ■ | □ □ | | 25% a 50% |
| ■ ■ ■ ■ | □ □ □ □ | | 0% a 25% |
| ▧ | □ □ □ □ | | Cargue la batería. |
| ■ ■ ■ ■ | □ □ □ □ | | Puede que la batería no esté funcionando bien. |
| □ □ □ □ | ■ ■ ■ ■ | ↑ ↓ | |

NOTA: Dependiendo de las condiciones de utilización y de la temperatura ambiente, la indicación podrá variar ligeramente de la capacidad real.

NOTA: La primera lámpara indicadora (extremo izquierdo) parpadeará cuando el sistema de protección de la batería esté funcionando.

Sistema de protección de la herramienta / batería

La herramienta está equipada con un sistema de protección de la herramienta/batería. Este sistema corta automáticamente la alimentación al motor para alargar la vida de servicio de la herramienta y la batería. La herramienta se detendrá automáticamente durante la operación si la herramienta o la batería es puesta en una de las condiciones siguientes:

Protección contra sobrecarga

Cuando la herramienta o la batería sea operada de manera que le haga absorber una corriente anormalmente alta, la herramienta se detendrá automáticamente sin ninguna indicación. En esta situación, apague la herramienta y detenga la tarea que ocasiona la sobrecarga de la herramienta. Después encienda la herramienta para volver a empezar.

Protección contra el recalentamiento

Cuando la herramienta o la batería se recalienta, la herramienta se detiene automáticamente. En este caso, deje que la herramienta y la batería se enfríen antes de encender la herramienta otra vez.

Protección contra descarga excesiva

Cuando la capacidad de batería no es suficiente, la herramienta se detiene automáticamente. En este caso, retire la batería de la herramienta y cargue la batería.

Accionamiento del interruptor

PRECAUCIÓN: Evite encender la herramienta mientras esté colocada encima de una pieza de trabajo o encima de su banco de trabajo. Podrá ocasionar heridas personales o daños.

Encendido y apagado de la herramienta

Presione el botón de selección de potencia/velocidad de la parte superior de empuñadura principal para poner en marcha la herramienta. La herramienta se pondrá en marcha a su velocidad orbital más alta. Presione el botón de parada para hacer una pausa o cesar la operación.

- **Fig.3:** 1. Botón de selección de potencia/velocidad
2. Botón de parada 3. Empuñadura principal

Cambio de la velocidad de la herramienta

La velocidad orbital se puede cambiar de tres modos, que son, alta, media y baja dependiendo de la aplicación y de la carga de trabajo.

Presione el botón de selección de potencia/velocidad para cambiar el modo de velocidad.

- **Fig.4:** 1. Botón de selección de potencia/velocidad

Tabla de ajustes de velocidad

| Nivel de velocidad | Órbitas por minuto |
|--------------------|--------------------------|
| 3 (Alta) | 12.000 min ⁻¹ |
| 2 (Media) | 8.000 min ⁻¹ |
| 1 (Baja) | 4.000 min ⁻¹ |

AVISO: Si la herramienta es utilizada continuamente a velocidades bajas durante largo tiempo, el motor se sobrecargará, resultando en un mal funcionamiento de la herramienta.

AVISO: Seleccione un rango de velocidad apropiado para sus operaciones de lijado para evitar recalentar y derretir la pieza de trabajo. El lijado a velocidad orbital alta puede calentar la pieza de trabajo y derretirla en el punto de contacto.

Función electrónica

La herramienta está equipada con la función electrónica para facilitar la operación.

Control de velocidad constante

Esta función proporciona una velocidad orbital constante para obtener un acabado fino.

MONTAJE

⚠PRECAUCIÓN: Asegúrese siempre de que la herramienta está apagada y el cartucho de batería retirado antes de realizar cualquier trabajo en la herramienta.

Instalación y desmontaje del papel abrasivo

⚠PRECAUCIÓN: Asegúrese siempre de que se ha instalado firmemente una hoja de papel abrasivo antes de utilizar. De lo contrario, el papel se podrá aflojar, desprender fácilmente y quedar expuesto a deslizamiento, resultando en una operación de lijado desigual.

Utilización del papel abrasivo suministrado con la herramienta

1. Mantenga presionada la palanca de sujeción de la parte delantera o bien de la parte trasera de la almohadilla, y deslícela alejándola del tope de manera que la abrazadera se libere de su posición apretada.

2. Tire de la palanca de sujeción hacia afuera tanto como sea posible para crear un espacio entre la abrazadera y la pared lateral de la base lijado en el que se pueda insertar un extremo del papel abrasivo.

► **Fig.5:** 1. Palanca de sujeción 2. Tope 3. Abrazadera 4. Base lijado 5. Almohadilla

3. Coloque una hoja de papel abrasivo encima de la almohadilla, alineando los agujeros de succión de polvo del papel con los de la almohadilla.

► **Fig.6:** 1. Papel abrasivo 2. Almohadilla 3. Agujero de succión de polvo

4. Deslice un extremo del papel abrasivo al interior del espacio entre la abrazadera y la base lijado.

5. Vuelva a poner la palanca de sujeción en una posición bloqueada de manera que el extremo del papel abrasivo quede sujetado firmemente.

6. Libere la abrazadera del otro extremo, y tenga el otro extremo del papel abrasivo listo para ser sujetado.

7. Mantenga el papel abrasivo apropiadamente tensado, y después ponga la palanca de sujeción del otro extremo en una posición bloqueada.

► **Fig.7:** 1. Papel abrasivo 2. Abrazadera 3. Base lijado 4. Palanca de sujeción 5. Tope

8. Para retirar el papel abrasivo, libere las abrazaderas de ambos extremos y quite el papel de la almohadilla.

Utilización de papel abrasivo disponible en el comercio

1. Corte una hoja de papel abrasivo del tamaño apropiado.

► **Fig.8:** 1. Papel abrasivo 2. Almohadilla

2. Mantenga presionada la palanca de sujeción de la parte delantera o bien de la parte trasera de la almohadilla, y deslícela alejándola del tope de manera que la abrazadera se libere de su posición apretada.

3. Tire de la palanca de sujeción hacia afuera tanto como sea posible para crear un espacio entre la abrazadera y la pared lateral de la base lijado en el que se pueda insertar un extremo del papel abrasivo.

4. Deslice un extremo del papel abrasivo al interior del espacio entre la abrazadera y la base lijado.

5. Reposicione el papel abrasivo de manera que quede bien superpuesto en la superficie de la almohadilla.

6. Vuelva a poner la palanca de sujeción en una posición bloqueada para sujetar el extremo del papel abrasivo firmemente.

7. Libere la abrazadera del otro extremo, y tenga el otro extremo del papel abrasivo listo para ser sujetado.

8. Mantenga el papel abrasivo apropiadamente tensado, y después ponga la palanca de sujeción del otro extremo en una posición bloqueada.

► **Fig.9:** 1. Papel abrasivo 2. Abrazadera 3. Base lijado 4. Palanca de sujeción 5. Tope

9. Cubra el papel abrasivo con la placa de perforación con sus topes de posicionamiento adyacentes a la esquina bien encajados en dos de los bordes laterales de la almohadilla y la base lijado.

► **Fig.10:** 1. Papel abrasivo 2. Placa de perforación 3. Topes de posicionamiento 4. Almohadilla 5. Base lijado

10. Presione la placa de perforación sobre el papel abrasivo para hacer agujeros de succión de polvo.

11. Para retirar el papel abrasivo, libere las abrazaderas de ambos extremos y quite el papel de la almohadilla.

Utilización de papel abrasivo de gancho y bucle

Accesorios opcionales

⚠PRECAUCIÓN: Asegúrese de instalar la almohadilla de gancho y bucle correcta y firmemente. Un accesorio flojo se desequilibrará y ocasionará una vibración excesiva resultando en la pérdida del control.

⚠PRECAUCIÓN: Asegúrese de que la almohadilla y el papel abrasivo de gancho y bucle estén alineados y sujetados firmemente.

⚠PRECAUCIÓN: Utilice solamente papeles abrasivos de gancho y bucle. No utilice nunca papeles abrasivos autoadhesivos.

1. Afloje y retire los cuatro tornillos que sujetan la almohadilla a la base lijado.

2. Reemplace la almohadilla equipada de serie con una almohadilla de gancho y bucle opcional.

3. Vuelva a apretar los tornillos firmemente para sujetar la almohadilla de gancho y bucle.

► **Fig.11:** 1. Tornillos 2. Base lijado 3. Almohadilla

4. Retire toda la suciedad y materia extraña de la almohadilla de gancho y bucle.

5. Coloque una hoja de papel abrasivo de gancho y bucle opcional en la almohadilla, y alinee los agujeros de succión de polvo del papel con los de la almohadilla.

► **Fig.12:** 1. Papel abrasivo 2. Plato 3. Agujeros de succión de polvo

- Para retirar el papel abrasivo, despréndalo por el borde.

⚠PRECAUCIÓN: La junta tórica se puede salir de la base lijado al reemplazar la almohadilla. Vuelva a poner la junta tórica en las ranuras circulares alrededor del centro de la base antes de instalar la almohadilla opcional.

- **Fig.13:** 1. Junta tórica 2. Base lijado 3. Ranuras circulares

Instalación y desmontaje de la bolsa de polvo

Accesorios opcionales

Coloque la bolsa de polvo sobre el conducto de polvo cónico del extremo trasero del alojamiento del motor. Ponga la boca de entrada de polvo de la bolsa en el conducto de polvo a fondo para evitar que se salga durante la operación.

- **Fig.14:** 1. Conducto de polvo 2. Boca de entrada de polvo 3. Bolsa de polvo

NOTA: Asegúrese de colocar la bolsa de polvo con su cierre de cremallera orientado hacia abajo.

NOTA: Para garantizar una recogida de polvo óptima, vacíe la bolsa de polvo cuando se llene hasta aproximadamente la mitad de su capacidad.

Retire la bolsa de polvo de la herramienta y extraiga el fijador. Después agite o golpee suavemente la bolsa de polvo para vaciarla.

Instalación y desmontaje de la caja de polvo

Accesorios opcionales

Coloque la caja de polvo sobre el conducto de polvo cónico del extremo trasero del alojamiento del motor. Ponga la tobera de polvo en el conducto de polvo a fondo para evitar que se salga durante la operación.

- **Fig.15:** 1. Conducto de polvo 2. Tobera de polvo 3. Caja de polvo

NOTA: Para garantizar una recogida de polvo óptima, vacíe la caja de polvo cuando se llene hasta aproximadamente la mitad de su capacidad.

- Retire la caja de polvo de la herramienta.
- Retire la tobera de polvo de la caja mientras mantiene presionados los seguros bloqueo de ambos costados de la caja.
- Agite o golpee suavemente la caja de polvo para vaciarla.

Reemplazo del filtro

AVISO: Tenga en cuenta alinear los logotipos de todos, la caja de polvo, el filtro y la tobera de polvo, en una orientación consistente cuando monte los componentes.

- Retire la caja de polvo de la herramienta.
- Retire la tobera de polvo de la caja mientras mantiene presionados los seguros bloqueo de ambos costados de la caja.

- **Fig.16:** 1. Tobera de polvo 2. Caja de polvo 3. Seguro bloqueo

- Sujete el borde superior interior de la abertura del cartón, y tire de él hacia abajo para desenganchar el borde superior exterior de la abertura del cartón de la lengüeta de enganche superior del reborde de la caja de polvo.

- Extraiga el filtro de la caja de polvo mientras tira del borde inferior exterior de la abertura del cartón y lo libera de la lengüeta de enganche inferior.

- **Fig.17:** 1. Filtro 2. Abertura del cartón 3. Lengüeta de enganche superior 4. Lengüeta de enganche inferior 5. Caja de polvo

- Reemplace el filtro engancharlo el borde inferior de la abertura del cartón en la lengüeta de enganche inferior y empuje el borde superior hacia adentro hasta que se enganche en la lengüeta de enganche superior.

- **Fig.18:** 1. Filtro 2. Abertura del cartón 3. Lengüeta de enganche superior 4. Lengüeta de enganche inferior 5. Caja de polvo

- Encaje la tobera de polvo en su sitio a presión mientras mantiene presionados los seguros bloqueo de ambos costados de la caja de polvo.

- **Fig.19:** 1. Tobera de polvo 2. Caja de polvo 3. Seguro bloqueo

Instalación y desmontaje de la empuñadura delantera

Instalación

Instale la empuñadura delantera en la herramienta antes de la operación, si está incluida por separado en el paquete.

Inserte el extremo de la empuñadura delantera en la ranura del alojamiento del motor, alineando los contornos del extremo de la empuñadura con los de la ranura. Mantenga presionada la empuñadura delantera firmemente hacia el alojamiento y gírela 90 grados con su superficie de asimiento orientada hacia arriba.

- **Fig.20:** 1. Empuñadura delantera 2. Ranura 3. Alojamiento del motor 4. Superficie de asimiento

⚠PRECAUCIÓN: Después de montarla, tire de la empuñadura delantera para ver si está colocada firmemente.

AVISO: Asegúrese de empujar la empuñadura delantera completamente hasta el final de la ranura y de mantenerla en esa posición mientras la gira. En caso contrario podrá ocasionar daños a la herramienta.

Desinstalación

Quitando la empuñadura delantera desprendible, la operación de lijado en áreas estrechas, confinadas y de difícil acceso se pueden realizar de forma efectiva. Mantenga presionada la empuñadura delantera firmemente hacia el alojamiento del motor y gírela 90 grados hacia la izquierda o hacia la derecha. Después extráigala de la herramienta.

Conexión a un aspirador

Accesorio opcional

Cuando quiera realizar una operación de lijado limpia, conecte un aspirador Makita a su herramienta. Utilice una manguera de 28 mm opcional o bien una combinación de manguitos delanteros de 22 y manguera provistos del aspirador para hacer la conexión.

► **Fig.21:** 1. Conducto de polvo 2. Manguitos delanteros 3. Manguera 4. Aspirador

Instalación y desmontaje del protector de batería

Accesorio opcional

El protector de batería ha sido previsto para proteger la pieza de trabajo y la batería.

► **Fig.22:** 1. Protector de batería

⚠PRECAUCIÓN: No sujete nunca con la mano un protector de batería cuando transporte la herramienta de un área a otra ni cuando sujete la herramienta mientras no la está usando.

NOTA: El protector de batería no se puede utilizar con las baterías finas, como BL1815N y BL1820B.

Para instalar el protector de batería, siga los pasos de abajo.

1. Inserte la batería en el protector de batería como se muestra en la figura.

► **Fig.23**

2. Empuje la batería hacia el interior del protector de batería de manera que las protuberancias del protector de batería encajen en los orificios de la batería.

► **Fig.24:** 1. Orificio 2. Protuberancia

3. Asegúrese de que las cuatro esquinas estén enganchadas firmemente en el protector de batería.

► **Fig.25**

Para retirar el protector de batería, desenganche las cuatro esquinas, y saque despacio la batería del protector de batería de manera que las protuberancias salgan de los orificios de la batería. Mientras tira de la batería, sujete la batería y el protector de batería firmemente.

OPERACIÓN

Operación de lijado

⚠PRECAUCIÓN: No utilice nunca la herramienta sin el papel abrasivo. Podrá dañar seriamente la almohadilla.

⚠PRECAUCIÓN: No fuerce nunca la herramienta. Una presión excesiva podrá reducir la eficacia del lijado, dañar el papel abrasivo y/o acortar la vida de servicio de la herramienta.

Lijado de áreas abiertas

1. Sujete la herramienta firmemente con ambas manos, una mano en el mango y la otra mano en la empuñadura delantera.

2. Encienda la herramienta y espere hasta que adquiera plena velocidad.

3. Coloque la herramienta con cuidado sobre la superficie de la pieza de trabajo.

4. Mantenga toda la almohadilla nivelada y a ras con la superficie y aplique una ligera presión sobre la herramienta.

► **Fig.26**

Lijado de áreas confinadas

1. Retire la empuñadura delantera de la herramienta.

2. Sujete el mango con una mano.

3. Encienda la herramienta y espere hasta que adquiera plena velocidad.

4. Coloque la herramienta con cuidado sobre la superficie de la pieza de trabajo.

5. Mantenga toda la almohadilla nivelada y a ras con la superficie y aplique una ligera presión sobre la herramienta.

6. Mueva la herramienta a lo largo de curvas, paredes y en otros espacios confinados, lijando con los bordes de la parte delantera y de la esquina de la almohadilla como necesite.

► **Fig.27**

FUNCIÓN DE ACTIVACIÓN INALÁMBRICA

Para el modelo DBO381 solamente

AVISO: La función inalámbrica está disponible solamente cuando el aspirador compatible está siendo instalado.

Lo que puede hacer con la función de activación inalámbrica

La función de activación inalámbrica permite realizar una operación limpia y cómoda. Conectando un aspirador compatible a la herramienta, puede poner en marcha automáticamente el aspirador junto con la operación del interruptor de la herramienta.

► **Fig.28**

Para utilizar la función de activación inalámbrica, prepare los elementos siguientes:

- Una unidad inalámbrica (accesorio opcional)
- Un aspirador compatible con la función de activación inalámbrica

El resumen del ajuste de la función de activación inalámbrica es como sigue. Consulte cada sección para ver los procedimientos en detalle.

1. Instalación de la unidad inalámbrica
2. Registro de herramienta para el aspirador
3. Inicio de la función de activación inalámbrica

Instalación de la unidad inalámbrica

Accesorios opcionales

⚠ PRECAUCIÓN: Ponga la herramienta sobre una superficie plana y estable cuando instale la unidad inalámbrica.

AVISO: Limpie el polvo y la suciedad de la herramienta antes de instalar la unidad inalámbrica. El polvo o la suciedad puede ocasionar un mal funcionamiento si entra en la ranura de la unidad inalámbrica.

AVISO: Para evitar el mal funcionamiento causado por la electricidad estática, toque un material en el que descarga la electricidad estática, tal como una parte metálica de la herramienta, antes de cerrar la unidad inalámbrica.

AVISO: Cuando instale la unidad inalámbrica, asegúrese siempre de que la unidad inalámbrica está insertada en la dirección correcta y que la tapa está completamente cerrada.

1. Abra la tapa de la herramienta como se muestra en la figura.

► **Fig.29:** 1. Tapa

2. Inserte la unidad inalámbrica en la ranura y después cierre la tapa.

Cuando inserte la unidad inalámbrica, alinee los salientes con las porciones embutidas de la ranura.

► **Fig.30:** 1. Unidad inalámbrica 2. Saliente 3. Tapa 4. Porción embutida

Cuando retire la unidad inalámbrica, abra la tapa despacio. Los ganchos de la parte trasera de la tapa alzarán la unidad inalámbrica a medida que usted levanta la tapa.

► **Fig.31:** 1. Unidad inalámbrica 2. Gancho 3. Tapa

Después de retirar la unidad inalámbrica, manténgala dentro de la funda suministrada o en un contenedor libre de electricidad estática.

AVISO: Utilice siempre los ganchos de la parte trasera de la tapa cuando retire la unidad inalámbrica. Si los ganchos no agarran la unidad inalámbrica, cierre la tapa completamente y ábrala despacio otra vez.

Registro de herramienta para el aspirador

NOTA: Para el registro de herramienta se requiere un aspirador Makita compatible con la función de activación inalámbrica.

NOTA: Termine de instalar la unidad inalámbrica en la herramienta antes de comenzar el registro de herramienta.

NOTA: Durante el registro de herramienta, no apriete el gatillo interruptor o active el interruptor de alimentación del aspirador.

NOTA: Consulte el manual de instrucciones del aspirador, también.

Si desea activar el aspirador junto con la operación del interruptor de la herramienta, termine el registro de herramienta de antemano.

1. Instale las baterías en el aspirador y la herramienta.

2. Ajuste el interruptor de espera del aspirador a "AUTO".

► **Fig.32:** 1. Interruptor de espera

3. Presione el botón de activación inalámbrica en el aspirador durante 3 segundos hasta que la lámpara de activación inalámbrica parpadee en verde. Y después presione el botón de activación inalámbrica en la herramienta de la misma manera.

► **Fig.33:** 1. Botón de activación inalámbrica 2. Lámpara de activación inalámbrica

Si el aspirador y la herramienta están vinculados correctamente, las lámparas de activación inalámbrica se iluminarán en verde durante 2 segundos y comenzarán a parpadear en azul.

NOTA: Las lámparas de activación inalámbrica dejarán de parpadear en verde después de transcurrir 20 segundos. Presione el botón de activación inalámbrica en la herramienta mientras la lámpara de activación inalámbrica en la aspiradora está parpadeando. Si la lámpara de activación inalámbrica no parpadea en verde, presione el botón de activación inalámbrica brevemente y manténgalo presionado otra vez.

NOTA: Cuando realice dos o más registros de herramienta para un aspirador, termine el registro de herramienta de uno en uno.

Inicio de la función de activación inalámbrica

NOTA: Termine el registro de herramienta para el aspirador antes de la activación inalámbrica.

NOTA: Consulte el manual de instrucciones del aspirador, también.

Después de registrar una herramienta en el aspirador, el aspirador se pondrá en marcha automáticamente junto con la operación del interruptor de la herramienta.

1. Instale la unidad inalámbrica en la herramienta.

2. Conecte la manguera del aspirador a la herramienta.

► **Fig.34**

3. Ajuste el interruptor de espera del aspirador a "AUTO".

► **Fig.35:** 1. Interruptor de espera

4. Presione el botón de activación inalámbrica en la herramienta brevemente. La lámpara de activación inalámbrica parpadeará en azul.

► **Fig.36:** 1. Botón de activación inalámbrica 2. Lámpara de activación inalámbrica

5. Encienda la herramienta. Compruebe si el aspirador está en marcha mientras la herramienta está funcionando.

Para detener la activación inalámbrica del aspirador, presione el botón de activación inalámbrica en la herramienta.

NOTA: La lámpara de activación inalámbrica en la herramienta dejará de parpadear en azul cuando no se realice ninguna operación durante 2 horas. En este caso, ajuste el interruptor de espera del aspirador a "AUTO" y presione el botón de activación inalámbrica en la herramienta otra vez.

NOTA: El aspirador se pone en marcha/se detiene con una demora. Hay un lapso de tiempo cuando el aspirador detecta una operación del interruptor de la herramienta.










NOTA: La distancia de transmisión de la unidad inalámbrica puede variar dependiendo de la ubicación y las circunstancias circundantes.

NOTA: Cuando haya registradas dos o más herramientas en un aspirador, el aspirador podrá ponerse en marcha aunque usted no encienda la herramienta porque otro usuario está utilizando la función de activación inalámbrica.

Descripción del estado de la lámpara de activación inalámbrica

► **Fig.37:** 1. Lámpara de activación inalámbrica

La lámpara de activación inalámbrica muestra el estado de la función de activación inalámbrica. Consulte la tabla de abajo para ver el significado del estado de la lámpara.

| Estado | Lámpara de activación inalámbrica | | | Duración | Descripción |
|---|-----------------------------------|---|---|---------------------------------------|--|
| | Color |  Encendida |  Parpadeando | | |
| En espera | Azul |  | | 2 horas | La activación inalámbrica del aspirador está disponible. La lámpara se apagará automáticamente cuando no se realice ninguna operación durante 2 horas. |
| | |  | | Cuando la herramienta está en marcha. | La activación inalámbrica del aspirador está disponible y la herramienta está en marcha. |
| Registro de herramienta | Verde |  | | 20 segundos | Preparada para el registro de herramienta. Esperando para el registro en el aspirador. |
| | |  | | 2 segundos | El registro de herramienta ha terminado. La lámpara de activación inalámbrica comenzará a parpadear en azul. |
| Cancelación del registro de herramienta | Rojo |  | | 20 segundos | Preparada para la cancelación del registro de herramienta. Esperando para la cancelación en el aspirador. |
| | |  | | 2 segundos | La cancelación del registro de herramienta ha terminado. La lámpara de activación inalámbrica comenzará a parpadear en azul. |
| Otros | Rojo |  | | 3 segundos | La alimentación se suministra a la unidad inalámbrica y la función de activación inalámbrica se está poniendo en marcha. |
| | Apagada | - | | - | La activación inalámbrica del aspirador está detenida. |

Cancelación del registro de herramienta para el aspirador

Realice el procedimiento siguiente cuando vaya a cancelar el registro de herramienta para el aspirador.

1. Instale las baterías en el aspirador y la herramienta.
2. Ajuste el interruptor de espera del aspirador a "AUTO".

► **Fig.38:** 1. Interruptor de espera

3. Presione el botón de activación inalámbrica en el aspirador durante 6 segundos. La lámpara de activación inalámbrica parpadea en verde y después se vuelve roja. Después de esto, presione el botón de activación inalámbrica en la herramienta de la misma manera.

► **Fig.39:** 1. Botón de activación inalámbrica
2. Lámpara de activación inalámbrica

Si la cancelación se realiza correctamente, las lámparas de activación inalámbrica se iluminarán en rojo durante 2 segundos y comenzarán a parpadear en azul.

NOTA: Las lámparas de activación inalámbrica dejarán de parpadear en rojo después de transcurrir 20 segundos. Presione el botón de activación inalámbrica en la herramienta mientras la lámpara de activación inalámbrica en la aspiradora está parpadeando. Si la lámpara de activación inalámbrica no parpadea en rojo, presione el botón de activación inalámbrica brevemente y manténgalo presionado otra vez.

Solución de problemas para la función de activación inalámbrica

Antes de solicitar reparaciones, realice su propia inspección en primer lugar. Si encuentra un problema que no está explicado en el manual, no intente desmontar la herramienta. En su lugar, pregunte en los centros de servicio autorizados Makita, utilizando siempre piezas de recambio Makita para las reparaciones.

| Estado de anomalía | Causa probable (mal funcionamiento) | Remedio |
|--|--|--|
| La lámpara de activación inalámbrica no se ilumina/parpadea. | La unidad inalámbrica no está instalada en la herramienta. La unidad inalámbrica está instalada incorrectamente en la herramienta. | Instale la unidad inalámbrica correctamente. |
| | El terminal de la unidad inalámbrica y/o la ranura están sucios. | Retire con cuidado el polvo y la suciedad del terminal de la unidad inalámbrica y limpie la ranura. |
| | El botón de activación inalámbrica en la herramienta no ha sido presionado. | Presione el botón de activación inalámbrica en la herramienta brevemente. |
| | El interruptor de espera del aspirador no está ajustado a "AUTO". | Ajuste el interruptor de espera del aspirador a "AUTO". |
| | No se está suministrando alimentación. | Suministre alimentación a la herramienta y al aspirador. |
| No se puede terminar el registro de herramienta / cancelación del registro de herramienta correctamente. | La unidad inalámbrica no está instalada en la herramienta. La unidad inalámbrica está instalada incorrectamente en la herramienta. | Instale la unidad inalámbrica correctamente. |
| | El terminal de la unidad inalámbrica y/o la ranura están sucios. | Retire con cuidado el polvo y la suciedad del terminal de la unidad inalámbrica y limpie la ranura. |
| | El interruptor de espera del aspirador no está ajustado a "AUTO". | Ajuste el interruptor de espera del aspirador a "AUTO". |
| | No se está suministrando alimentación. | Suministre alimentación a la herramienta y al aspirador. |
| | Operación incorrecta | Presione el botón de activación inalámbrica brevemente y realice los procedimientos de registro/cancelación de herramienta otra vez. |
| | La herramienta y el aspirador están alejados uno del otro (fuera del rango de transmisión). | Ponga la herramienta y el aspirador más cerca uno del otro. La distancia de transmisión es de aproximadamente 10 m, sin embargo, podrá variar de acuerdo con las circunstancias. |
| | Antes de terminar el registro/cancelación de herramienta; - se aprieta el interruptor de la herramienta o; - se activa el botón de alimentación del aspirador. | Presione el botón de activación inalámbrica brevemente y realice los procedimientos de registro/cancelación de herramienta otra vez. |
| | Los procedimientos de registro de herramienta para la herramienta o el aspirador no han terminado. | Realice los procedimientos de registro de herramienta para la herramienta y el aspirador en el mismo momento. |
| Interferencia de radio de otros aparatos que generan ondas de radio de alta intensidad. | Mantenga la herramienta y el aspirador alejados de aparatos tales como dispositivos Wi-Fi y hornos de microondas. | |

| Estado de anomalía | Causa probable (mal funcionamiento) | Remedio |
|---|---|--|
| El aspirador no se pone en marcha junto con la operación del interruptor de la herramienta. | La unidad inalámbrica no está instalada en la herramienta. La unidad inalámbrica está instalada incorrectamente en la herramienta. | Instale la unidad inalámbrica correctamente. |
| | El terminal de la unidad inalámbrica y/o la ranura están sucios. | Retire con cuidado el polvo y la suciedad del terminal de la unidad inalámbrica y limpie la ranura. |
| | El botón de activación inalámbrica en la herramienta no ha sido presionado. | Presione el botón de activación inalámbrica brevemente y asegúrese de que la lámpara de activación inalámbrica está parpadeando en azul. |
| | El interruptor de espera del aspirador no está ajustado a "AUTO". | Ajuste el interruptor de espera del aspirador a "AUTO". |
| | Hay más de 10 herramientas registradas en el aspirador. | Realice el registro de herramienta otra vez. Si hay más de 10 herramientas registradas en el aspirador, la herramienta que más tiempo lleve registrada se cancelará automáticamente. |
| | El aspirador borró todos los registros de herramienta. | Realice el registro de herramienta otra vez. |
| | No se está suministrando alimentación. | Suministre alimentación a la herramienta y al aspirador. |
| | La herramienta y el aspirador están alejados uno del otro (fuera del rango de transmisión). | Ponga la herramienta y el aspirador más cerca uno del otro. La distancia de transmisión es de aproximadamente 10 m, sin embargo, podrá variar de acuerdo con las circunstancias. |
| | Interferencia de radio de otros aparatos que generan ondas de radio de alta intensidad. | Mantenga la herramienta y el aspirador alejados de aparatos tales como dispositivos Wi-Fi y hornos de microondas. |
| El aspirador se pone en marcha mientras la herramienta no está funcionando. | Otros usuarios están utilizando la activación inalámbrica del aspirador con sus herramientas. | Desactive el botón de activación inalámbrica de las otras herramientas o cancele el registro de herramienta de las otras herramientas. |

MANTENIMIENTO

⚠PRECAUCIÓN: Asegúrese siempre de que la herramienta está apagada y de que el cartucho de batería está retirado antes de intentar hacer una inspección o mantenimiento.

AVISO: No utilice nunca gasolina, bencina, disolvente, alcohol o similares. Podría producir descoloración, deformación o grietas.

Para mantener la SEGURIDAD y FIABILIDAD del producto, las reparaciones, y cualquier otra tarea de mantenimiento o ajuste deberán ser realizadas en centros de servicio o de fábrica autorizados por Makita, empleando siempre repuestos Makita.

Después de la utilización

Limpie la herramienta con un paño seco o con un paño ligeramente humedecido con agua jabonosa a intervalos regulares.

ACCESORIOS OPCIONALES

⚠PRECAUCIÓN: Estos accesorios o aditamentos están recomendados para su uso con la herramienta Makita especificada en este manual. El uso de cualquier otro accesorio o aditamento puede suponer un riesgo de heridas personales. Utilice el accesorio o aditamento solamente con la finalidad indicada para el mismo.

Si necesita cualquier ayuda para más detalles en relación con estos accesorios, pregunte al centro de servicio Makita local.

- Papel abrasivo (con orificios perforados previamente)
- Papel abrasivo de tipo velcro
- Placa perforadora
- Almohadilla de respaldo (para usar con papel abrasivo del tipo gancho-y-lazo)
- Almohadilla de respaldo (para usar con papel abrasivo de tipo convencional)
- Bolsa colectora de polvo
- Caja de polvo
- Filtro
- Manguera
- Unidad inalámbrica (Para el modelo DBO381 solamente)
- Protector de batería
- Batería y cargador genuinos de Makita

NOTA: Algunos elementos de la lista podrán estar incluidos en el paquete de la herramienta como accesorios estándar. Pueden variar de un país a otro.

ESPECIFICAÇÕES

| Modelo: | DBO380 | DBO381 |
|---|----------------|--------------------------|
| Tamanho da almofada | 93 mm x 185 mm | |
| Tamanho do papel de lixa | 93 mm x 228 mm | |
| Órbitas por minuto | Alto | 12.000 min ⁻¹ |
| | Médio | 8.000 min ⁻¹ |
| | Baixo | 4.000 min ⁻¹ |
| Comprimento total (com punho dianteiro) | 336 mm | |
| Tensão nominal | C.C. 18 V | |
| Peso líquido | 1,9 - 2,2 kg | |

- Devido a um programa contínuo de pesquisa e desenvolvimento, estas especificações estão sujeitas a alteração sem aviso prévio.
- As especificações e a bateria podem variar de país para país.
- O peso poderá diferir em função do acessório(s), incluindo a bateria. A combinação mais leve e mais pesada, de acordo com o Procedimento EPTA 01/2014, é apresentada na tabela.

Bateria e carregador aplicável

| | |
|------------|---|
| Bateria | BL1815N / BL1820B / BL1830B / BL1840B / BL1850B / BL1860B |
| Carregador | DC18RC / DC18RD / DC18RE / DC18SD / DC18SE / DC18SF / DC18SH / DC18WC |

- Algumas das baterias e carregadores listados acima poderão não estar disponíveis, dependendo da sua região de residência.

⚠AVISO: Utilize apenas as baterias e carregadores listados acima. A utilização de quaisquer outras baterias e carregadores pode causar ferimentos e/ou um incêndio.

Utilização a que se destina

A ferramenta foi concebida para lixamento de grandes superfícies de materiais de madeira, plástico e metal assim como de superfícies pintadas.

Ruído

A característica do nível de ruído A determinado de acordo com a EN62841-2-4:

Modelo DBO380

Nível de pressão acústica (L_{pA}): 72 dB (A)

Variabilidade (K): 3 dB (A)

Modelo DBO381

Nível de pressão acústica (L_{pA}): 72 dB (A)

Variabilidade (K): 3 dB (A)

O nível de ruído durante o funcionamento pode exceder 80 dB (A).

NOTA: O(s) valor(es) da emissão de ruído indicado(s) foi medido de acordo com um método de teste padrão e pode ser utilizado para comparar duas ferramentas.

NOTA: O(s) valor(es) da emissão de ruído indicado(s) pode também ser utilizado na avaliação preliminar da exposição.

⚠AVISO: Utilize protetores auriculares.

⚠AVISO: A emissão de ruído durante a utilização real da ferramenta elétrica pode diferir do(s) valor(es) indicado(s), dependendo das formas como a ferramenta é utilizada, especialmente o tipo de peça de trabalho que é processada.

⚠AVISO: Certifique-se de identificar as medidas de segurança para proteção do operador que sejam baseadas em uma estimativa de exposição em condições reais de utilização (considerando todas as partes do ciclo de operação, tal como quando a ferramenta está desligada e quando está a funcionar em marcha lenta além do tempo de acionamento).

Vibração

Valor total da vibração (soma vetorial tri-axial) determinado de acordo com a EN62841-2-4:

Modelo DBO380

Modo de trabalho: lixamento de chapa metálica

Emissão de vibração (a_{h1}): 3,6 m/s²

Variabilidade (K): 1,5 m/s²

Modelo DBO381

Modo de trabalho: lixamento de chapa metálica

Emissão de vibração (a_{h1}): 3,6 m/s²

Variabilidade (K): 1,5 m/s²

NOTA: O(s) valor(es) total(ais) de vibração indicado(s) foi medido de acordo com um método de teste padrão e pode ser utilizado para comparar duas ferramentas.

NOTA: O(s) valor(es) total(ais) de vibração indicado(s) pode também ser utilizado na avaliação preliminar da exposição.

⚠️ AVISO: A emissão de vibração durante a utilização real da ferramenta elétrica pode diferir do(s) valor(es) indicado(s), dependendo das formas como a ferramenta é utilizada, especialmente o tipo de peça de trabalho que é processada.

⚠️ AVISO: Certifique-se de identificar as medidas de segurança para proteção do operador que sejam baseadas em uma estimativa de exposição em condições reais de utilização (considerando todas as partes do ciclo de operação, tal como quando a ferramenta está desligada e quando está a funcionar em marcha lenta além do tempo de acionamento).

Declaração de conformidade da CE

Apenas para os países europeus

A declaração de conformidade da CE está incluída como Anexo A neste manual de instruções.

AVISOS DE SEGURANÇA

Avisos gerais de segurança para ferramentas elétricas

⚠️ AVISO: Leia todos os avisos de segurança, instruções, ilustrações e especificações fornecidos com esta ferramenta elétrica. O não cumprimento de todas as instruções indicadas em baixo pode resultar em choque elétrico, incêndio e/ou ferimentos graves.

Guarde todos os avisos e instruções para futuras referências.

O termo "ferramenta elétrica" nos avisos refere-se às ferramentas elétricas ligadas à corrente elétrica (com cabo) ou às ferramentas elétricas operadas por meio de bateria (sem cabo).

Avisos de segurança sobre a lixadeira

1. Use sempre óculos de segurança ou de proteção. Os óculos normais ou de sol **NÃO** são óculos de segurança.
2. Segure a ferramenta com firmeza.
3. Não deixe a ferramenta a funcionar. Utilize a ferramenta apenas quando a estiver a segurar com a mão.
4. Esta ferramenta não é à prova de água, por isso, não utilize água na superfície da peça de trabalho.

5. Ventile a área de trabalho adequadamente quando executar operações de lixamento.
6. Alguns materiais contêm químicos que podem ser tóxicos. Tenha cuidado para evitar a inalação de pó e o contacto com a pele. Cumpra os dados de segurança do fornecedor do material.
7. A utilização da ferramenta para lixar determinados produtos, tintas e madeira pode expor o utilizador ao pó contendo substâncias nocivas. Use proteção respiratória adequada.
8. Antes de utilizar a ferramenta, verifique se a almofada não apresenta fendas ou rachas. As fendas ou rachas podem provocar ferimentos pessoais.
9. Tenha cuidado e mantenha-se numa posição firme e equilibrada ao utilizar a ferramenta. Certifique-se de que ninguém está por baixo quando trabalha em locais altos.

GUARDE ESTAS INSTRUÇÕES.

⚠️ AVISO: NÃO permita que o conforto ou familiaridade com o produto (adquirido com o uso repetido) substitua o cumprimento estrito das regras de segurança da ferramenta. A MÁ INTERPRETAÇÃO ou o não seguimento das regras de segurança estabelecidas neste manual de instruções pode provocar ferimentos pessoais graves.

Instruções de segurança importantes para a bateria

1. Antes de utilizar a bateria, leia todas as instruções e etiquetas de precaução no (1) carregador de bateria (2) bateria e (3) produto que utiliza a bateria.
2. Não desmonte ou manipule a bateria. Pode resultar num incêndio, em calor excessivo ou numa explosão.
3. Se o tempo de funcionamento se tornar excessivamente curto, pare o funcionamento imediatamente. Pode resultar em sobreaquecimento, possíveis queimaduras e mesmo explosão.
4. Se entrar eletrólito nos seus olhos, lave-os com água e consulte imediatamente um médico. Pode resultar em perda de visão.
5. Não coloque a bateria em curto-circuito:
 - (1) Não toque nos terminais com qualquer material condutor.
 - (2) Evite guardar a bateria juntamente com outros objetos metálicos tais como pregos, moedas, etc.
 - (3) Não exponha a bateria à água ou chuva. Um curto-circuito pode ocasionar um enorme fluxo de corrente, sobreaquecimento, possíveis queimaduras e mesmo estragar-se.
6. Não guarde nem utilize a ferramenta e a bateria em locais onde a temperatura pode atingir ou exceder 50 °C.
7. Não queime a bateria mesmo que esteja estragada ou completamente gasta. A bateria pode explodir no fogo.

8. **Não preegue, corte, esmague, atire, deixe cair a bateria, nem bata a bateria contra um objeto rijo.** Esta conduta pode resultar num incêndio, em calor excessivo ou numa explosão.
9. **Não utilize uma bateria danificada.**
10. **As baterias de íões de lítio contidas na ferramenta são sujeitas aos requisitos da DGL (Dangerous Goods Legislation - Legislação de bens perigosos).**
Para o transporte comercial, por exemplo, por terceiros ou agentes de expedição, têm de ser observados os requisitos referentes à embalagem e etiquetagem.
Para preparação do artigo a ser expedido, é necessário consultar um perito em materiais perigosos. Tenha ainda em conta a possibilidade de existirem regulamentos nacionais mais detalhados.
Coloque fita-cola ou tape os contactos abertos e embale a bateria de tal forma que não possa mover-se dentro da embalagem.
11. **Quando eliminar a bateria, remova-a da ferramenta e elimine-a num local seguro. Siga os regulamentos locais relacionados com a eliminação de baterias.**
12. **Utilize as baterias apenas com os produtos especificados pela Makita.** Instalar as baterias em produtos não-conformes poderá resultar num incêndio, calor excessivo, explosão ou fuga de eletrólito.
13. **Se a ferramenta não for utilizada durante um período de tempo prolongado, a bateria deve ser removida da ferramenta.**
14. **Durante e após a utilização, a bateria pode aquecer, o que pode provocar queimaduras ou queimaduras a baixa temperatura. Preste atenção ao manuseamento de baterias quentes.**
15. **Não toque no terminal da ferramenta imediatamente após a utilização, pois pode ficar suficientemente quente para provocar queimaduras.**
16. **Não permita a adesão de aparas, pó ou sujidade nos terminais, nos orifícios e nas ranhuras da bateria.** Poderá fazer com que a ferramenta ou a bateria aqueça, incendeie, rebente e avarie, resultando em queimaduras ou ferimentos corporais.
17. **A menos que a ferramenta suporte a utilização perto de linhas elétricas de alta tensão, não utilize a bateria perto de linhas elétricas de alta tensão.** Pode resultar no mau funcionamento ou na avaria da ferramenta ou bateria.
18. **Mantenha a bateria afastada das crianças.**

GUARDE ESTAS INSTRUÇÕES.

⚠PRECAUÇÃO: Utilize apenas baterias genuínas da Makita. A utilização de baterias não genuínas da Makita ou de baterias que foram alteradas, pode resultar no rebentamento da bateria provocando incêndios, ferimentos pessoais e danos. Além disso, anulará da garantia da Makita no que se refere à ferramenta e ao carregador Makita.

Conselhos para manter a máxima vida útil da bateria

1. Carregue a bateria antes que esteja completamente descarregada. Pare sempre o funcionamento da ferramenta e carregue a bateria quando notar menos poder na ferramenta.
2. Nunca carregue uma bateria completamente carregada. Carregamento excessivo diminui a vida útil da bateria.
3. Carregue a bateria à temperatura ambiente de 10 °C – 40 °C. Deixe que uma bateria quente arrefeça antes de a carregar.
4. Quando não utilizar a bateria, remova-a da ferramenta ou do carregador.
5. Carregue a bateria se não a utilizar durante um longo período de tempo (mais de seis meses).

Instruções de segurança importantes para a unidade sem fios

1. Não desmonte ou manipule a unidade sem fios.
2. Mantenha a unidade sem fios afastada das crianças. Se ocorrer a ingestão accidental, procure imediatamente cuidados médicos.
3. Utilize a unidade sem fios apenas com ferramentas Makita.
4. Não exponha a unidade sem fios à chuva ou a condições húmidas.
5. Não utilize a unidade sem fios em locais onde a temperatura excede 50 °C.
6. Não utilize a unidade sem fios em locais próximos de instrumentos médicos, tais como estimuladores cardíacos.
7. Não utilize a unidade sem fios em locais próximos de dispositivos automatizados. Se utilizada, os dispositivos automatizados podem desenvolver anomalias ou erros.
8. Não utilize a unidade sem fios em locais sob temperaturas altas ou locais nos quais possa ser gerada eletricidade estática ou ruído elétrico.
9. A unidade sem fios pode produzir campos eletromagnéticos (CEM) mas estes não são nocivos para o utilizador.
10. A unidade sem fios é um instrumento preciso. Tenha cuidado para não deixar cair a unidade sem fios nem bater nesta.
11. Evite tocar no terminal da unidade sem fios com as mãos desprotegidas ou com materiais metálicos.
12. Retire sempre a bateria do produto quando instalar a unidade sem fios.
13. Quando abrir a tampa da ranhura, evite o local no qual a poeira e a água podem entrar para a ranhura. Mantenha sempre a entrada da ranhura limpa.
14. Insira sempre a unidade sem fios na direção correta.

15. Não pressione o botão de ativação sem fios na unidade sem fios com demasiada força e/ou pressione o botão com um objeto com aresta afiada.
16. Feche sempre a tampa da ranhura quando utilizar a ferramenta.
17. Não remova a unidade sem fios da ranhura enquanto estiver a ser fornecida alimentação elétrica à ferramenta. Fazê-lo pode causar a anomalia da unidade sem fios.
18. Não remova o adesivo da unidade sem fios.
19. Não coloque qualquer adesivo na unidade sem fios.
20. Não deixe a unidade sem fios num local em que possa ser gerada eletricidade estática ou ruído elétrico.
21. Não deixe a unidade sem fios num local sujeito a calor intenso, tal como um veículo exposto ao sol.
22. Não deixe a unidade sem fios num local poeirento ou pulverulento ou num local onde possa ser gerado gás corrosivo.
23. A mudança súbita da temperatura pode molhar a unidade sem fios com condensação. Não utilize a unidade sem fios até que a condensação esteja completamente seca.
24. Quando limpar a unidade sem fios, limpe-a suavemente com um pano macio e seco. Não utilize benzina, diluente, massa lubrificante condutora ou similar.
25. Quando armazenar a unidade sem fios, guarde-a na caixa fornecida ou num recipiente anti-estática.
26. Não insira quaisquer dispositivos diferentes da unidade sem fios Makita na ranhura na ferramenta.
27. Não utilize a ferramenta com a tampa da ranhura danificada. A entrada de água, poeira e sujidade na ranhura pode causar o mau funcionamento.
28. Não puxe e/ou torça a tampa da ranhura além do necessário. Recoloque a tampa se esta sair da ferramenta.
29. Substitua a tampa da ranhura se a perder ou danificar.

GUARDE ESTAS INSTRUÇÕES.

DESCRIÇÃO FUNCIONAL

⚠️PRECAUÇÃO: Certifique-se sempre de que a ferramenta está desligada e a bateria foi retirada antes de regular ou verificar qualquer função na ferramenta.

Instalação ou remoção da bateria

⚠️PRECAUÇÃO: Desligue sempre a ferramenta antes de colocar ou retirar a bateria.

⚠️PRECAUÇÃO: Segure firmemente a ferramenta e a bateria quando instalar ou remover a bateria. Se não segurar firmemente a ferramenta e a bateria pode fazer com que escorreguem das suas mãos resultando em danos na ferramenta e na bateria e ferimentos pessoais.

► Fig.1: 1. Indicador vermelho 2. Botão 3. Bateria

Para retirar a bateria, deslize-a para fora da ferramenta enquanto desliza o botão na frente da bateria.

Para instalar a bateria, alinhe a lingueta na bateria com a ranhura na caixa e deslize-a para a posição correta. Insira-a por completo até bloquear na posição correta com um pequeno clique. Se conseguir ver o indicador vermelho conforme apresentado na figura, não está completamente bloqueada.

⚠️PRECAUÇÃO: Instale sempre a bateria até ao fim, até deixar de ver o indicador vermelho. Caso contrário, a bateria poderá cair da ferramenta acidentalmente e provocar ferimentos em si mesmo ou em alguém próximo.

⚠️PRECAUÇÃO: Não instale a bateria à força. Se a bateria não deslizar facilmente é porque não foi colocada corretamente.

Indicação da capacidade restante da bateria

Apenas para baterias com indicador

► Fig.2: 1. Luzes indicadoras 2. Botão de verificação

Prima o botão de verificação na bateria para indicar a capacidade restante da bateria. As luzes indicadoras acendem durante alguns segundos.

| Luzes indicadoras | | | Capacidade restante |
|-------------------|---------|----------|--------------------------------|
| Acaso | Apagado | A piscar | |
| | | | 75% a 100% |
| | | | 50% a 75% |
| | | | 25% a 50% |
| | | | 0% a 25% |
| | | | Carregar a bateria. |
| | | | A bateria pode estar avariada. |

NOTA: Dependendo das condições de utilização e da temperatura ambiente, a indicação pode ser ligeiramente diferente da capacidade real.

NOTA: A primeira luz indicadora (extremo esquerdo) pisca quando o sistema de proteção da bateria funciona.

Sistema de proteção da ferramenta/bateria

A ferramenta está equipada com um sistema de proteção da ferramenta/bateria. Este sistema corta automaticamente a corrente para o motor para aumentar a vida da ferramenta e da bateria. A ferramenta para automaticamente durante o funcionamento se a ferramenta ou bateria for colocada mediante uma das seguintes condições:

Proteção contra sobrecarga

Quando a ferramenta ou a bateria é operada de tal forma que a faça retirar uma corrente anormalmente alta, a ferramenta para automaticamente sem qualquer indicação. Nesta situação, desligue a ferramenta e pare a aplicação que fez com que a ferramenta ficasse sobrecarregada. Depois, ligue a ferramenta para reiniciar.

Proteção contra sobreaquecimento

Quando a ferramenta ou a bateria estiver sobreaquecida, a ferramenta para automaticamente. Nesta situação, deixe a ferramenta e a bateria arrefecerem antes de voltar a ligar a ferramenta.

Proteção contra descarga excessiva

Quando a capacidade da bateria não é suficiente, a ferramenta para automaticamente. Neste caso, retire a bateria da ferramenta e carregue-a.

Ação do interruptor

⚠PRECAUÇÃO: Evite ligar a ferramenta enquanto estiver colocada na peça de trabalho ou na sua bancada de trabalho. Tal pode causar ferimentos pessoais ou danos.

Ligar e desligar a ferramenta

Pressione o botão de seleção de alimentação/velocidade na parte superior da pega principal para arrancar a ferramenta. A ferramenta arranca para funcionar à sua velocidade orbital mais elevada.

Pressione o botão de paragem para interromper ou suspender a operação.

► **Fig.3:** 1. Botão de seleção de alimentação/velocidade 2. Botão de paragem 3. Pega principal

Alterar a velocidade da ferramenta

A velocidade orbital pode ser alterada em três modos, ou seja, alto, médio e baixo, dependendo da aplicação e da carga de trabalho.

Pressione o botão de seleção de alimentação/velocidade para mudar o modo de velocidade.

► **Fig.4:** 1. Botão de seleção de alimentação/velocidade

Tabela das definições da velocidade

| Nível de velocidade | Orbital por minuto |
|---------------------|--------------------------|
| 3 (Alto) | 12.000 min ⁻¹ |
| 2 (Médio) | 8.000 min ⁻¹ |
| 1 (Baixo) | 4.000 min ⁻¹ |

OBSERVAÇÃO: Se a ferramenta for utilizada continuamente em velocidades baixas durante muito tempo, o motor fica sobrecarregado resultando em avaria da ferramenta.

OBSERVAÇÃO: Selecione uma gama de velocidades adequada para as operações de lixamento para evitar o sobreaquecimento e detritamento da peça de trabalho. O lixamento a uma velocidade orbital elevada pode aquecer a peça de trabalho e detritê-la no ponto de contacto.

Função eletrónica

A ferramenta está equipada com a função eletrónica para operação fácil.

Controlo da velocidade constante

Esta função proporciona uma velocidade orbital constante para a obtenção de um bom acabamento.

MONTAGEM

⚠PRECAUÇÃO: Certifique-se sempre de que a ferramenta está desligada e a bateria retirada antes de executar qualquer trabalho na ferramenta.

Instalar e remover o papel de lixa

⚠PRECAUÇÃO: Certifique-se sempre de que está firmemente instalada uma folha de papel de lixa antes da utilização. Caso contrário, o papel pode ficar solto, ser facilmente removido e estar sujeito a deslizamento, resultando numa operação de lixamento irregular.

Utilizar o papel de lixa fornecido com a ferramenta

1. Pressione e mantenha pressionada a alavanca de fixação na extremidade dianteira ou traseira da almofada e deslize-a afastando do batente de modo que o dispositivo de fixação seja libertado da respetiva posição de fixação.

2. Puxe a alavanca de fixação para fora tanto quanto possível para criar um espaço entre o dispositivo de fixação e a parede lateral da base de lixamento em que pode ser inserida uma extremidade do papel de lixa.

► **Fig.5:** 1. Alavanca de fixação 2. Batente 3. Dispositivo de fixação 4. Base de lixamento 5. Almofada

3. Coloque uma folha de papel de lixa sobre a almofada, alinhando os orifícios de sucção de pó no papel com os orifícios de sucção de pó na almofada.

► **Fig.6:** 1. Papel de lixa 2. Almofada 3. Orifício de sucção de pó

4. Deslize uma extremidade do papel de lixa para o espaço entre o dispositivo de fixação e a base de lixamento.
 5. Volte a colocar a alavanca de fixação numa posição de bloqueio de forma que a extremidade do papel de lixa fique firmemente fixada.
 6. Solte o dispositivo de fixação na outra extremidade e prepare a outra extremidade do papel de lixa para ser fixada.
 7. Mantenha uma tensão adequada no papel de lixa e, em seguida, coloque a alavanca de fixação na outra extremidade numa posição de bloqueio.
- **Fig.7:** 1. Papel de lixa 2. Dispositivo de fixação 3. Base de lixamento 4. Alavanca de fixação 5. Batente

8. Para remover o papel de lixa, solte os dispositivos de fixação em ambas as extremidades e tire o papel da almofada.

Utilizar o papel de lixa disponível no mercado

1. Corte uma folha de papel de lixa para um tamanho adequado.
- **Fig.8:** 1. Papel de lixa 2. Almofada
2. Pressione e mantenha pressionada a alavanca de fixação na extremidade dianteira ou traseira da almofada e deslize-a afastando do batente de modo que o dispositivo de fixação seja libertado da respetiva posição de fixação.
 3. Puxe a alavanca de fixação para fora tanto quanto possível para criar um espaço entre o dispositivo de fixação e a parede lateral da base de lixamento em que pode ser inserida uma extremidade do papel de lixa.
 4. Deslize uma extremidade do papel de lixa para o espaço entre o dispositivo de fixação e a base de lixamento.
 5. Reposicione o papel de lixa de modo que fique minuciosamente sobreposto na superfície da almofada.
 6. Volte a colocar a alavanca de fixação numa posição de bloqueio para fixar firmemente a extremidade do papel de lixa.
 7. Solte o dispositivo de fixação na outra extremidade e prepare a outra extremidade do papel de lixa para ser fixada.
 8. Mantenha uma tensão adequada no papel de lixa e, em seguida, coloque a alavanca de fixação na outra extremidade numa posição de bloqueio.
- **Fig.9:** 1. Papel de lixa 2. Dispositivo de fixação 3. Base de lixamento 4. Alavanca de fixação 5. Batente
9. Cubra o papel de lixa com a placa de punção com os respetivos batentes de posicionamento adjacentes ao canto bem encaixados em duas das extremidades laterais da almofada e da base de lixamento.
- **Fig.10:** 1. Papel de lixa 2. Placa de punção 3. Batentes de posicionamento 4. Almofada 5. Base de lixamento
10. Pressione a placa de punção sobre o papel de lixa para efetuar orifícios de sucção de pó.
 11. Para remover o papel de lixa, solte os dispositivos de fixação em ambas as extremidades e tire o papel da almofada.

Utilizar papel de lixa com fecho de gancho e laço

Acessório opcional

⚠PRECAUÇÃO: Certifique-se de que instala uma almofada com fecho de gancho e laço de forma correta e firme. Uma fixação solta ficará desequilibrada e provocará uma vibração excessiva resultando em perda de controlo.

⚠PRECAUÇÃO: Certifique-se de que uma almofada com fecho de gancho e laço e o papel de lixa estão alinhados e firmemente fixados.

⚠PRECAUÇÃO: Utilize apenas papéis de lixa com fecho de gancho e laço. Nunca utilize papéis de lixa sensíveis à pressão.

1. Solte e remova os quatro parafusos que fixam a almofada na base de lixamento.
 2. Substitua a almofada equipada de série por uma almofada com fecho de gancho e laço opcional.
 3. Volte a apertar os parafusos firmemente para fixar a almofada com fecho de gancho e laço.
- **Fig.11:** 1. Parafusos 2. Base de lixamento 3. Almofada
4. Remova toda a sujidade e matérias estranhas da almofada com fecho de gancho e laço.
 5. Fixe uma folha de papel de lixa com fecho de gancho e laço opcional na almofada, alinhando os orifícios de sucção de pó no papel com os orifícios de sucção de pó na almofada.
- **Fig.12:** 1. Papel de lixa 2. Almofada 3. Orifícios de sucção de pó
6. Para remover o papel de lixa, descole-o a partir da extremidade.

⚠PRECAUÇÃO: O anel em O pode sair da base de lixamento quando da substituição da almofada. Volte a colocar o anel em O nas ranhuras circulares em volta do centro da base antes de instalar a almofada opcional.

- **Fig.13:** 1. Anel em O 2. Base de lixamento 3. Ranhuras circulares

Instalar e remover o saco para pó

Acessório opcional

Fixe o saco para pó sobre o bico para pó cónico na extremidade traseira da caixa do motor. Coloque a entrada de pó do saco no bico para pó até ao fim para evitar que se solte durante a operação.

- **Fig.14:** 1. Bico para pó 2. Entrada de pó 3. Saco para pó

NOTA: Certifique-se de que fixa o saco para pó com o respetivo cursor do fecho de correr voltado para baixo.

NOTA: Para garantir uma recolha de pó ideal, esvazie o saco para pó quando este ficar cheio em aproximadamente metade da sua capacidade. Remova o saco para pó da ferramenta e retire o fixador. Em seguida, sacuda ou toque suavemente no saco para pó para o esvaziar.

Instalar e remover a caixa do pó

Acessório opcional

Fixe a caixa do pó sobre o bico para pó cônico na extremidade traseira da caixa do motor. Coloque o bocal para pó no bico para pó até ao fim para evitar que se solte durante a operação.

► **Fig.15:** 1. Bico para pó 2. Bocal para pó 3. Caixa do pó

NOTA: Para garantir uma recolha de pó ideal, esvazie a caixa do pó quando esta ficar cheia em aproximadamente metade da sua capacidade.

1. Remova a caixa do pó da ferramenta.
2. Desprenda o bocal para pó da caixa enquanto pressiona sem soltar as linguetas de bloqueio em ambos os lados da caixa.
3. Sacuda ou toque suavemente na caixa do pó para a esvaziar.

Substituir o filtro

OBSERVAÇÃO: Tenha o cuidado de alinhar os logótipos na caixa do pó, no filtro e no bocal para pó numa orientação consistente quando voltar a montar os componentes.

1. Remova a caixa do pó da ferramenta.
2. Desprenda o bocal para pó da caixa enquanto pressiona sem soltar as linguetas de bloqueio em ambos os lados da caixa.
► **Fig.16:** 1. Bocal para pó 2. Caixa do pó 3. Lingueta de bloqueio
3. Segure a extremidade superior interior da abertura do papelão e retire-a para baixo para soltar a extremidade superior exterior da abertura do papelão da patilha de encaixe superior na borda da caixa do pó.
4. Retire o filtro da caixa do pó enquanto liberta a extremidade inferior exterior da abertura do papelão da patilha de encaixe inferior.
► **Fig.17:** 1. Filtro 2. Abertura do papelão 3. Patilha de encaixe superior 4. Patilha de encaixe inferior 5. Caixa do pó
5. Substitua um filtro engatando a extremidade inferior da abertura do papelão na patilha de encaixe inferior e pressione a extremidade superior para dentro até prender na patilha de encaixe superior.
► **Fig.18:** 1. Filtro 2. Abertura do papelão 3. Patilha de encaixe superior 4. Patilha de encaixe inferior 5. Caixa do pó
6. Encaixe o bocal para pó no devido lugar enquanto pressiona sem soltar as linguetas de bloqueio em ambos os lados da caixa do pó.
► **Fig.19:** 1. Bocal para pó 2. Caixa do pó 3. Lingueta de bloqueio

Instalar e remover o punho dianteiro

Instalação

Instale o punho dianteiro na ferramenta antes da operação, se este estiver incluído em separado na embalagem.

Insira a extremidade do punho dianteiro na ranhura da caixa do motor, alinhando os contornos da extremidade do punho com os contornos da ranhura.

Pressione e mantenha o punho dianteiro pressionado firmemente na direção da caixa e rode-o em 90 graus com a respetiva superfície de agarramento virada para cima.

► **Fig.20:** 1. Punho dianteiro 2. Ranhura 3. Caixa do motor 4. Superfície de agarramento

PRECAUÇÃO: Após a montagem, puxe o punho dianteiro para verificar se este está firmemente fixado.

OBSERVAÇÃO: Certifique-se de que pressiona totalmente o punho dianteiro para dentro da extremidade de ranhura e mantenha-o posicionado onde se encontra enquanto roda o punho dianteiro. O incumprimento desta indicação pode provocar danos na ferramenta.

Desinstalação

Ao remover o punho dianteiro removível, é possível efetuar eficazmente uma operação de lixamento em áreas apertadas, confinadas e de difícil acesso. Pressione e mantenha o punho dianteiro pressionado firmemente na direção da caixa do motor e rode-o em 90 graus para a esquerda ou para a direita. Em seguida, desmonte-o da ferramenta.

Ligar ao aspirador

Acessório opcional

Quando pretender efetuar uma operação de lixamento limpa, ligue um aspirador Makita à sua ferramenta. Utilize uma mangueira opcional de 28 mm ou uma combinação de bainhas frontais 22 e mangueira fornecida com o aspirador para estabelecer uma ligação.

► **Fig.21:** 1. Bico para pó 2. Bainhas frontais 3. Mangueira 4. Aspirador

Instalar e remover o protetor da bateria

Acessório opcional

O protetor da bateria destina-se a proteger a peça de trabalho e a bateria.

► **Fig.22:** 1. Protetor da bateria

PRECAUÇÃO: Nunca segure com as mãos um protetor da bateria quando transportar a ferramenta de uma área para outra ou quando segurar a ferramenta enquanto não estiver em utilização.

NOTA: O protetor da bateria não pode ser utilizado com as baterias finas, como a BL1815N e a BL1820B.

Para instalar o protetor da bateria, siga os passos abaixo.

1. Insira a bateria no protetor da bateria conforme apresentado na figura.

► Fig.23

2. Empurre a bateria para dentro do protetor da bateria de modo que as saliências no protetor da bateria encaixem nos orifícios na bateria.

► Fig.24: 1. Orifício 2. Saliência

3. Certifique-se de que os quatro cantos estão firmemente enganchados com o protetor da bateria.

► Fig.25

Para remover o protetor da bateria, desenganche os quatro cantos e retire lentamente a bateria do protetor da bateria de modo que as saliências saiam dos orifícios na bateria. Enquanto puxa a bateria, segure firmemente a bateria e o protetor da bateria.

OPERAÇÃO

Operação de lixamento

⚠PRECAUÇÃO: Nunca utilize a ferramenta sem o papel de lixa. Pode danificar gravemente a almofada.

⚠PRECAUÇÃO: Nunca force a ferramenta. Uma pressão excessiva pode reduzir a eficiência da lixagem, danificar o papel de lixa e/ou reduzir a vida da ferramenta.

Lixar áreas abertas

1. Segure a ferramenta firmemente com as duas mãos, uma mão na pega e a outra mão no punho dianteiro.

2. Ligue a ferramenta e aguarde até esta atingir a velocidade máxima.

3. Coloque suavemente a ferramenta sobre a superfície da peça de trabalho.

4. Mantenha toda a almofada nivelada e plana com a superfície e exerça uma ligeira pressão sobre a ferramenta.

► Fig.26

Lixar áreas confinadas

1. Desprenda o punho dianteiro da ferramenta.

2. Segure a pega com uma mão.

3. Ligue a ferramenta e aguarde até esta atingir a velocidade máxima.

4. Coloque suavemente a ferramenta sobre a superfície da peça de trabalho.

5. Mantenha toda a almofada nivelada e plana com a superfície e exerça uma ligeira pressão sobre a ferramenta.

6. Mova a ferramenta ao longo das curvas, faces da parede e em outros espaços confinados, lixando com as extremidades dianteira e de canto da almofada conforme necessário.

► Fig.27

FUNÇÃO DE ATIVAÇÃO SEM FIOS

Apenas para o modelo DBO381

OBSERVAÇÃO: A função sem fios está apenas disponível quando o aspirador suportado está a ser instalado.

O que pode fazer com a função de ativação sem fios

A função de ativação sem fios possibilita um funcionamento limpo e confortável. Ao ligar um aspirador suportado à ferramenta, pode utilizar o aspirador automaticamente juntamente com o funcionamento por interruptor da ferramenta.

► Fig.28

Para utilizar a função de ativação sem fios, prepare os seguintes itens:

- Uma unidade sem fios (acessório opcional)
- Um aspirador que suporta a função de ativação sem fios

A vista geral da definição da função de ativação sem fios é a seguinte. Consulte cada secção para obter os procedimentos detalhados.

1. Instalar a unidade sem fios
2. Registo da ferramenta para o aspirador
3. Iniciar a função de ativação sem fios

Instalar a unidade sem fios

Acessório opcional

⚠PRECAUÇÃO: Coloque a ferramenta num superfície plana e estável quando instalar a unidade sem fios.

OBSERVAÇÃO: Limpe a poeira e a sujidade da ferramenta antes de instalar a unidade sem fios. A poeira ou a sujidade podem causar o mau funcionamento caso entrem na ranhura da unidade sem fios.

OBSERVAÇÃO: Para evitar o mau funcionamento causado pela estática, toque num material de descarga estática, tal como uma peça metálica da ferramenta, antes de pegar na unidade sem fios.

OBSERVAÇÃO: Quando instalar a unidade sem fios, certifique-se sempre de que a unidade sem fios é inserida na direção correta e que a tampa está completamente fechada.

1. Abra a tampa da ferramenta conforme ilustrado na figura.

► Fig.29: 1. Tampa

2. Insira a unidade sem fios na ranhura e feche a tampa, em seguida.

Quando inserir a unidade sem fios, alinhe as projeções com as partes encaixadas na ranhura.

► Fig.30: 1. Unidade sem fios 2. Projeção 3. Tampa 4. Parte encaixada

Quando remover a unidade sem fios, abra a tampa lentamente. Os ganchos na parte traseira da tampa elevam a unidade sem fios à medida que puxa a tampa para cima.

► **Fig.31:** 1. Unidade sem fios 2. Gancho 3. Tampa

Após remover a unidade sem fios, guarde-a na caixa fornecida ou num recipiente anti-estática.

OBSERVAÇÃO: Utilize sempre os ganchos da parte traseira da tampa quando remover a unidade sem fios. Se os ganchos não agarrarem a unidade sem fios, feche a tampa completamente e volte a abri-la lentamente.

Registo da ferramenta para o aspirador

NOTA: O aspirador Makita que suporta a função de ativação sem fios é necessário para o registo da ferramenta.

NOTA: Conclua a instalação da unidade sem fios na ferramenta antes de iniciar o registo da ferramenta.

NOTA: Durante o registo da ferramenta, não puxe o gatilho do interruptor ou ligue o interruptor de alimentação do aspirador.

NOTA: Consulte também o manual de instruções do aspirador.

Se pretender ativar o aspirador juntamente com o funcionamento por interruptor da ferramenta, conclua primeiramente o registo da ferramenta.

1. Instale as baterias no aspirador e na ferramenta.

2. Regule o interruptor do modo de espera no aspirador para "AUTO".

► **Fig.32:** 1. Interruptor do modo de espera

3. Pressione o botão de ativação sem fios do aspirador durante 3 segundos até a lâmpada de ativação sem fios piscar a verde. Em seguida, pressione o botão de ativação sem fios da ferramenta da mesma forma.

► **Fig.33:** 1. Botão de ativação sem fios 2. Lâmpada de ativação sem fios

Se o aspirador e a ferramenta forem ligados com sucesso, as lâmpadas de ativação sem fios acendem a verde durante 2 segundos e começam a piscar a azul.

NOTA: As lâmpadas de ativação sem fios acabam de piscar a verde após decorridos 20 segundos. Pressione o botão de ativação sem fios da ferramenta enquanto a lâmpada de ativação sem fios do aspirador estiver a piscar. Se a lâmpada de ativação sem fios não piscar a verde, pressione o botão de ativação sem fios por breves instantes e mantenha-o pressionado novamente.

NOTA: Quando realizar dois ou mais registos da ferramenta para um aspirador, conclua o registo da ferramenta um por um.

Iniciar a função de ativação sem fios

NOTA: Conclua o registo da ferramenta para o aspirador antes de realizar a ativação sem fios.

NOTA: Consulte também o manual de instruções do aspirador.

Após registar uma ferramenta para o aspirador, o aspirador funciona automaticamente com o funcionamento por interruptor da ferramenta.

1. Instale a unidade sem fios na ferramenta.

2. Ligue a mangueira do aspirador à ferramenta.

► **Fig.34**

3. Regule o interruptor do modo de espera no aspirador para "AUTO".

► **Fig.35:** 1. Interruptor do modo de espera

4. Pressione o botão de ativação sem fios da ferramenta por breves instantes. A lâmpada de ativação sem fios pisca a azul.

► **Fig.36:** 1. Botão de ativação sem fios 2. Lâmpada de ativação sem fios

5. Ligue a ferramenta. Verifique se o aspirador funciona enquanto a ferramenta está a funcionar.

Para parar a ativação sem fios do aspirador, pressione o botão de ativação sem fios da ferramenta.

NOTA: A lâmpada de ativação sem fios da ferramenta para de piscar a azul quando não ocorre qualquer utilização durante 2 horas. Neste caso, regule o interruptor do modo de espera do aspirador para "AUTO" e pressione novamente o botão de ativação sem fios da ferramenta.

NOTA: O aspirador inicia/para com um atraso. Ocorre um atraso temporal quando o aspirador deteta o funcionamento por interruptor da ferramenta.










NOTA: A distância de transmissão da unidade sem fios poderá variar em função do local e das circunstâncias envolventes.

NOTA: Quando duas ou mais ferramentas forem registadas para um aspirador, o aspirador poderá iniciar o seu funcionamento mesmo que não ligue a ferramenta devido ao facto de outro utilizador estar a utilizar a função de ativação sem fios.

Descrição do estado da lâmpada de ativação sem fios

► Fig.37: 1. Lâmpada de ativação sem fios

A lâmpada de ativação sem fios exibe o estado da função de ativação sem fios. Consulte a tabela seguinte para obter o significado do estado da lâmpada.

| Estado | Lâmpada de ativação sem fios | | | | Descrição |
|----------------------------------|------------------------------|--|--|--|---|
| | Cor |  Ligada |  A piscar | Duração | |
| Modo de espera | Azul |  | | 2 horas | A ativação sem fios do aspirador está disponível. A lâmpada desliga automaticamente quando o aspirador não é utilizado durante 2 horas. |
| | |  | | Quando a ferramenta estiver a funcionar. | A ativação sem fios do aspirador está disponível e a ferramenta está a funcionar. |
| Registo da ferramenta | Verde |  | | 20 segundos | Preparado para o registo da ferramenta. A aguardar o registo pelo aspirador. |
| | |  | | 2 segundos | O registo da ferramenta foi concluído. A lâmpada de ativação sem fios começa a piscar a azul. |
| Cancelar o registo da ferramenta | Vermelho |  | | 20 segundos | Preparado para o cancelamento do registo da ferramenta. A aguardar o cancelamento pelo aspirador. |
| | |  | | 2 segundos | O cancelamento do registo da ferramenta foi concluído. A lâmpada de ativação sem fios começa a piscar a azul. |
| Outros | Vermelho |  | | 3 segundos | A alimentação elétrica é fornecida à unidade sem fios e a função de ativação sem fios é iniciada. |
| | Desligada | - | | - | A ativação sem fios do aspirador é interrompida. |

Cancelar o registo da ferramenta para o aspirador

Realize o procedimento seguinte quando cancelar o registo da ferramenta para o aspirador.

1. Instale as baterias no aspirador e na ferramenta.
2. Regule o interruptor do modo de espera no aspirador para "AUTO".

► Fig.38: 1. Interruptor do modo de espera

3. Pressione o botão de ativação sem fios do aspirador durante 6 segundos. A lâmpada de ativação sem fios pisca a verde e fica vermelha, em seguida. Seguidamente, pressione o botão de ativação sem fios da ferramenta da mesma forma.

► Fig.39: 1. Botão de ativação sem fios 2. Lâmpada de ativação sem fios

Se o cancelamento for realizado com sucesso, as lâmpadas de ativação sem fios acendem a vermelho durante 2 segundos e começam a piscar a azul.

NOTA: As lâmpadas de ativação sem fios acabam de piscar a vermelho após decorridos 20 segundos. Pressione o botão de ativação sem fios da ferramenta enquanto a lâmpada de ativação sem fios do aspirador estiver a piscar. Se a lâmpada de ativação sem fios não piscar a vermelho, pressione o botão de ativação sem fios por breves instantes e mantenha-o pressionado novamente.

Resolução de problemas para a função de ativação sem fios

Antes de pedir uma reparação, realize primeiro a sua própria inspeção. Se encontrar um problema que não esteja explicado no manual, não tente desmontar a ferramenta. Em vez disso, peça as reparações nos centros de assistência técnica autorizados da Makita, usando sempre peças de substituição da Makita.

| Estado da anomalia | Causa provável (avaria) | Correção |
|--|--|--|
| A lâmpada de ativação sem fios não acende/pisca. | A unidade sem fios não está instalada na ferramenta. A unidade sem fios está instalada incorretamente na ferramenta. | Instale a unidade sem fios corretamente. |
| | O terminal da unidade sem fios e/ou a ranhura estão sujos. | Limpe delicadamente a poeira e a sujidade do terminal da unidade sem fios e limpe a ranhura. |
| | O botão de ativação sem fios da ferramenta não foi pressionado. | Pressione o botão de ativação sem fios da ferramenta por breves instantes. |
| | O interruptor do modo de espera do aspirador não está regulado para "AUTO". | Regule o interruptor do modo de espera no aspirador para "AUTO". |
| | Sem fornecimento de alimentação elétrica | Forneça alimentação elétrica à ferramenta e ao aspirador. |
| Não foi possível concluir o registo da ferramenta / o cancelamento do registo da ferramenta com sucesso. | A unidade sem fios não está instalada na ferramenta. A unidade sem fios está instalada incorretamente na ferramenta. | Instale a unidade sem fios corretamente. |
| | O terminal da unidade sem fios e/ou a ranhura estão sujos. | Limpe delicadamente a poeira e a sujidade do terminal da unidade sem fios e limpe a ranhura. |
| | O interruptor do modo de espera do aspirador não está regulado para "AUTO". | Regule o interruptor do modo de espera no aspirador para "AUTO". |
| | Sem fornecimento de alimentação elétrica | Forneça alimentação elétrica à ferramenta e ao aspirador. |
| | Funcionamento incorreto | Pressione o botão de ativação sem fios por breves instantes e volte a realizar os procedimentos de registo da ferramenta/cancelamento. |
| | A ferramenta e o aspirador estão afastados um do outro (fora do alcance da transmissão). | Aproxime a ferramenta do aspirador. A distância máxima de transmissão é aproximadamente 10 m, contudo, poderá variar de acordo com as circunstâncias. |
| | Antes de terminar o registo/cancelamento da ferramenta; - o interruptor da ferramenta é ativado; ou - o botão de alimentação no aspirador é ativado. | Pressione o botão de ativação sem fios por breves instantes e volte a realizar os procedimentos de registo da ferramenta/cancelamento. |
| | Os procedimentos de registo da ferramenta para a ferramenta ou aspirador não foram concluídos. | Realize os procedimentos de registo da ferramenta para a ferramenta e para o aspirador ao mesmo tempo. |
| Interferência radioelétrica por outros aparelhos que geram ondas de rádio de alta intensidade. | Mantenha a ferramenta e o aspirador afastados de aparelhos como dispositivos Wi-Fi e fornos microondas. | |
| O aspirador não funciona juntamente com o funcionamento por interruptor da ferramenta. | A unidade sem fios não está instalada na ferramenta. A unidade sem fios está instalada incorretamente na ferramenta. | Instale a unidade sem fios corretamente. |
| | O terminal da unidade sem fios e/ou a ranhura estão sujos. | Limpe delicadamente a poeira e a sujidade do terminal da unidade sem fios e limpe a ranhura. |
| | O botão de ativação sem fios da ferramenta não foi pressionado. | Pressione o botão de ativação sem fios por breves instantes e certifique-se de que a lâmpada de ativação sem fios está a piscar a azul. |
| | O interruptor do modo de espera do aspirador não está regulado para "AUTO". | Regule o interruptor do modo de espera no aspirador para "AUTO". |
| | Estão registadas mais de 10 ferramentas para o aspirador. | Realize o registo da ferramenta novamente. Se estiverem registadas mais de 10 ferramentas para o aspirador, a ferramenta registada mais cedo será cancelada automaticamente. |
| | O aspirador apagou todos os registos da ferramenta. | Realize o registo da ferramenta novamente. |
| | Sem fornecimento de alimentação elétrica | Forneça alimentação elétrica à ferramenta e ao aspirador. |
| | A ferramenta e o aspirador estão afastados um do outro (fora do alcance da transmissão). | Aproxime a ferramenta do aspirador. A distância máxima de transmissão é aproximadamente 10 m, contudo, poderá variar de acordo com as circunstâncias. |
| | Interferência radioelétrica por outros aparelhos que geram ondas de rádio de alta intensidade. | Mantenha a ferramenta e o aspirador afastados de aparelhos como dispositivos Wi-Fi e fornos microondas. |

| Estado da anomalia | Causa provável (avaria) | Correção |
|--|--|---|
| O aspirador funciona enquanto a ferramenta não está a funcionar. | Outros utilizadores estão a utilizar a ativação sem fios do aspirador com as respetivas ferramentas. | Desligue o botão de ativação sem fios das outras ferramentas ou cancele o registo da ferramenta das outras ferramentas. |

MANUTENÇÃO

⚠PRECAUÇÃO: Certifique-se sempre de que a ferramenta se encontra desligada e de que a bateria foi retirada antes de executar qualquer inspeção ou manutenção.

OBSERVAÇÃO: Nunca utilize gasolina, benzina, diluente, álcool ou produtos semelhantes. Pode ocorrer a descoloração, deformação ou rachaduras.

Para manter a SEGURANÇA e a FIABILIDADE do produto, as reparações e qualquer outra manutenção ou ajuste devem ser levados a cabo pelos centros de assistência Makita autorizados ou pelos centros de assistência de fábrica, utilizando sempre peças de substituição Makita.

Após a utilização

Limpe a ferramenta regularmente com um pano seco ou um pano ligeiramente humedecido com água com sabão.

ACESSÓRIOS OPCIONAIS

⚠PRECAUÇÃO: Estes acessórios ou peças são recomendados para utilização com a ferramenta Makita especificada neste manual. A utilização de outros acessórios ou peças pode ser perigosa para as pessoas. Utilize apenas acessórios ou peças para os fins indicados.

Se necessitar de informações adicionais relativas a estes acessórios, solicite-as ao seu centro de assistência Makita.

- Papel de lixa (com orifícios pré-perfurados)
- Tipo de papel de lixa com fecho de gancho e laço
- Placa de punção
- Almofada de apoio (Para utilização com o tipo de papel de lixa com fecho de gancho e laço)
- Almofada de apoio (Para utilização com o tipo de papel de lixa convencional)
- Saco para pó
- Caixa do pó
- Filtro
- Mangueira
- Unidade sem fios (Apenas para o modelo DBO381)
- Protetor da bateria
- Bateria e carregador genuínos da Makita

NOTA: Alguns itens da lista podem estar incluídos na embalagem da ferramenta como acessórios padrão. Eles podem variar de país para país.

SPECIFIKATIONER

| Model: | | DBO380 | DBO381 |
|-------------------------------|--------|--------------------------|--------|
| Slibetallerkenens størrelse | | 93 mm x 185 mm | |
| Slibepapirets størrelse | | 93 mm x 228 mm | |
| Omdrejninger per minut | Høj | 12.000 min ⁻¹ | |
| | Medium | 8.000 min ⁻¹ | |
| | Lav | 4.000 min ⁻¹ | |
| Samlet længde (med frontgreb) | | 336 mm | |
| Mærkespænding | | 18 V DC | |
| Nettovægt | | 1,9 - 2,2 kg | |

- På grund af vores kontinuerlige forsknings- og udviklingsprogrammer kan hosstående specifikationer blive ændret uden varsel.
- Specifikationer og akku kan variere fra land til land.
- Vægten kan være anderledes afhængigt af tilbehøret, inklusive akkuen. Den letteste og tungeste kombination i henhold til EPTA-procedure 01/2014 er vist i tabellen.

Anvendelig akku og oplader

| | |
|---------|---|
| Akku | BL1815N / BL1820B / BL1830B / BL1840B / BL1850B / BL1860B |
| Oplader | DC18RC / DC18RD / DC18RE / DC18SD / DC18SE / DC18SF / DC18SH / DC18WC |

- Nogle af de akkuer og opladere, der er angivet ovenfor, er muligvis ikke tilgængelige, afhængigt af hvilket område du bor i.

⚠ ADVARSEL: Brug kun de akkuer og opladere, der er angivet ovenfor. Brug af andre akkuer og opladere kan medføre personskaade og/eller brand.

Tilsigtet anvendelse

Denne maskine er beregnet til slibning af større flader af træ, plast- og metalmaterialer samt malede overflader.

Støj

Det typiske A-vægtede støjniveau bestemt i overensstemmelse med EN62841-2-4:

Model DBO380

Lydtryksniveau (L_{pA}): 72 dB (A)

Usikkerhed (K): 3 dB (A)

Model DBO381

Lydtryksniveau (L_{pA}): 72 dB (A)

Usikkerhed (K): 3 dB (A)

Støjniveauet under arbejdet kan overskride 80 dB (A).

BEMÆRK: De(n) angivne støjemissionsværdi(er) er målt i overensstemmelse med en standardtestmetode og kan anvendes til at sammenligne en maskine med en anden.

BEMÆRK: De(n) angivne støjemissionsværdi(er) kan også anvendes i en præliminær eksponeringsvurdering.

⚠ ADVARSEL: Bær høreværn.

⚠ ADVARSEL: Støjemissionen under den faktiske anvendelse af maskinen kan være forskellig fra de(n) angivne værdi(er), afhængigt af den måde hvorpå maskinen anvendes, især den type arbejdsemne der behandles.

⚠ ADVARSEL: Sørg for at identificere de sikkerhedsforskrifter til beskyttelse af operatøren, som er baseret på en vurdering af eksponering under de faktiske brugsforhold (med hensyntagen til alle dele i brugscyklussen, f.eks. de gange, hvor maskinen er slukket, og når den kører i tomgang i tilgift til afbrydertiden).

Vibration

Vibrationens totalværdi (tre-aksial vektorsum) bestemt i overensstemmelse med EN62841-2-4:

Model DBO380

Arbejdstilstand: slibning af metalplader

Vibrationsemission (a_{h1}): 3,6 m/s²

Usikkerhed (K): 1,5 m/s²

Model DBO381

Arbejdstilstand: slibning af metalplader

Vibrationsemission (a_{h1}): 3,6 m/s²

Usikkerhed (K): 1,5 m/s²

BEMÆRK: De(n) angivne totalværdi(er) for vibration er målt i overensstemmelse med en standardtestmetode og kan anvendes til at sammenligne en maskine med en anden.

BEMÆRK: De(n) angivne totalværdi(er) for vibration kan også anvendes i en præliminær eksponeringsvurdering.

⚠ ADVARSEL: Vibrationsemissionen under den faktiske anvendelse af maskinen kan være forskellig fra de(n) angivne værdi(er), afhængigt af den måde hvorpå maskinen anvendes, især den type arbejdsemne der behandles.

⚠ ADVARSEL: Sørg for at identificere de sikkerhedsforskrifter til beskyttelse af operatøren, som er baseret på en vurdering af eksponering under de faktiske brugsforhold (med hensyntagen til alle dele i brugscyklussen, f.eks. de gange, hvor maskinen er slukket, og når den kører i tomgang i tilgift til afbrydertiden).

EF-overensstemmelseserklæring

Kun for lande i Europa

EF-overensstemmelseserklæringen er inkluderet som Bilag A i denne brugsanvisning.

SIKKERHEDSADVARSLER

Almindelige sikkerhedsregler for el-værktøj

⚠ ADVARSEL: Læs alle de sikkerhedsadvarsler, instruktioner, illustrationer og specifikationer, der følger med denne maskine. Forsømmelse af at overholde alle nedenstående instruktioner kan medføre elektrisk stød, brand og/eller alvorlig personskade.

Gem alle advarsler og instruktioner til fremtidig reference.

Ordet "el-værktøj" i advarslerne henviser til det netforsynede (netledning) el-værktøj eller batteriforsynede (akku) el-værktøj.

Sikkerhedsadvarsler for sliber

1. Anvend altid sikkerhedsbriller eller beskyttelsesbriller. Almindelige briller og solbriller er IKKE sikkerhedsbriller.
2. Hold godt fast i maskinen.
3. Maskinen må ikke køre uden opsyn. Maskinen må kun være i gang, når den holdes i hånden.
4. Denne maskine er ikke vandtæt. Anvend derfor aldrig vand på emnets overflade.
5. Hold arbejdsområdet tilstrækkeligt udluftet, når De udfører slibearbejde.
6. En del materialer indeholder kemikalier, som kan være giftige. Sørg for at forhindre inhalering af støv og kontakt med huden. Følg materialefabrikantens sikkerhedsforskrifter.

7. Anvendelse af denne maskine til slibning af visse produkter, maling og træ kan udsætte brugeren for støv, som indeholder farlige substanser. Brug passende åndedrætsbeskyttelse.
8. Forvis Dem om, inden maskinen tages i brug, at der ikke er nogen revner eller brud i slibetallerkenen. Revner eller brud kan medføre personskade.
9. Sørg for solidt fodfæste, og hold altid balancen med maskinen. Sørg for, at der ikke befinder sig nogen under dig, når du arbejder på højtliggende steder.

GEM DISSE FORSKRIFTER.

⚠ ADVARSEL: LAD IKKE bekvemmelighed eller kendskab til produktet (opnået gennem gentagen brug) forhindre, at sikkerhedsforskrifterne for produktet nøje overholdes. MISBRUG eller forsømmelse af at følge de i denne brugsvejledning givne sikkerhedsforskrifter kan medføre alvorlig personskade.

Vigtige sikkerhedsinstruktioner for akkuen

1. Læs alle instruktioner og advarselmærkater på (1) akku-opladeren, (2) akkuen og (3) produktet, som anvender akku.
2. Adskil eller ændr ikke akkuen. Det kan muligvis resultere i en brand, overdreven varme eller eksplosion.
3. Hold straks op med anvendelsen, hvis brugstiden er blevet stærkt afkortet. Fortsat anvendelse kan resultere i risiko for overophedning, forbrændinger og endog eksplosion.
4. Hvis De har fået elektrolytvæske i øjnene, skal De straks skylle den ud med rent vand og derefter øjeblikkeligt søge lægehjælp. I modsat fald kan De miste synet.
5. Vær påpasselig med ikke at komme til at kortslutte akkuen:
 - (1) Rør ikke ved terminalerne med noget ledende materiale.
 - (2) Undgå at opbevare akkuen i en beholder sammen med andre genstande af metal, for eksempel søm, mønter og lignende.
 - (3) Udsæt ikke akkuen for vand eller regn. Kortslutning af akkuen kan forårsage en kraftig øgning af strømmen, overophedning, mulige forbrændinger og endog værktøjstop.
6. Opbevar og brug ikke maskinen og akkuen på steder, hvor temperaturen muligvis kan nå eller overstige 50 °C.
7. Lad være med at brænde akkuen, selv ikke i tilfælde, hvor den har lidt alvorlig skade eller er fuldstændig udtjent. Akkuen kan eksplodere, hvis man forsøger at brænde den.
8. Slå ikke søm i, skær ikke i, knus, kast, tab ikke akkuen og stød ikke akkuen mod en hård genstand. Sådan adfærd kan muligvis resultere i en brand, overdreven varme eller eksplosion.
9. Anvend ikke en beskadiget akku.

10. **De indbyggede litium-ion-batterier er underlagt lovkrav vedrørende farligt gods.**
Ved kommerciel transport, f.eks. af tredjeparts transportselskaber, skal særlige krav til forpakning og mærkning overholdes.
Ved forberedelse af udstyret til forsendelse skal du kontakte en ekspert i farligt gods. Overhold også eventuel mere detaljeret national lovgivning.
Tape eller tildæk åbne kontakter, og pak batteriet på en måde, så det ikke kan flytte sig rundt i pakningen.
11. **Når akkuen bortskaftes, skal du fjerne den fra maskinen og bortskaft den på et sikkert sted. Følg de lokale love vedrørende bortskaftelsen af batterier.**
12. **Brug kun batterierne med de produkter, som Makita specificerer.** Hvis batterierne installeres i ikke-kompatible produkter, kan det medføre brand, kraftig varme, eksplosion eller udsivning af elektrolyt.
13. **Hvis maskinen ikke skal bruges i længere tid ad gangen, skal du fjerne batteriet fra maskinen.**
14. **Akkuen kan muligvis under og efter brug være varm, hvilket kan forårsage forbrændinger eller lavtemperaturforbrændinger. Vær påpasselig med håndtering af varme akkuer.**
15. **Rør ikke terminalen på maskinen straks efter brug, da den bliver varm nok til at forårsage forbrændinger.**
16. **Sørg for, at spåner, støv eller jord ikke sætter sig fast i akkuens terminaler, huller og riller.** Det kan forårsage opvarmning, antændelse, sprængning og funktionsfejl i maskinen eller akkuen, hvilket kan medføre forbrændinger eller personskade.
17. **Medmindre maskinen understøtter brugen i nærheden af elektriske højspændingsledninger, skal du ikke anvende akkuen i nærheden af elektriske højspændingsledninger.** Det kan muligvis medføre funktionsfejl på eller nedbrud af maskinen eller akkuen.
18. **Opbevar batteriet utilgængeligt for børn.**

GEM DENNE BRUGSANVISNING.

⚠FORSIGTIG: Brug kun originale batterier fra Makita. Brug af uoriginale Makita-batterier, eller batterier som er blevet ændret, kan muligvis medføre brud på batteriet, hvilket kan forårsage brand, personskade eller beskadigelse. Det ugyldiggør også Makita-garantien for Makita-maskinen og opladeren.

Tips til opnåelse af maksimal akku-levetid

1. **Oplad akkuen, inden den er helt afladet. Stop altid værktøjet, og oplad akkuen, hvis De bemærker, at værktøjeffekten er aftagende.**
2. **Genoplad aldrig en fuldt opladet akku. Overopladning vil afkorte akkuens levetid.**
3. **Oplad akkuen ved stuetemperatur ved 10 °C - 40 °C. Lad altid en varm akku få tid til at køle af, inden den oplades.**
4. **Når du ikke anvender akkuen, skal du fjerne den fra maskinen eller opladeren.**
5. **Oplad akkuen, hvis De ikke skal bruge den i længere tid (mere end seks måneder).**

Vigtige sikkerhedsinstruktioner for trådløs enhed

1. **Undlad at adskille eller ændre den trådløse enhed.**
2. **Opbevar den trådløse enhed utilgængeligt for små børn. Søg øjeblikkeligt læge, hvis den sluges ved et uheld.**
3. **Brug kun den trådløse enhed sammen med maskiner fra Makita.**
4. **Udsæt ikke den trådløse enhed for regn eller våde omgivelser.**
5. **Brug ikke den trådløse enhed på steder, hvor temperaturen overskrider 50 °C.**
6. **Brug ikke den trådløse enhed i nærheden af medicinske instrumenter som f.eks. pacemakere.**
7. **Brug ikke den trådløse enhed i nærheden af automatiske enheder.** Hvis den bruges, kan automatiske enheder udvikle fejlfunktion eller fejl.
8. **Undlad at betjene den trådløse enhed på steder med høje temperaturer eller steder, hvor der kan genereres statisk elektricitet eller elektrisk støj.**
9. **Den trådløse enhed kan frembringe elektromagnetiske felter (EMF), men de er ikke skadelige for brugeren.**
10. **Den trådløse enhed er et præcisionsinstrument. Undgå at tabe eller slå på den trådløse enhed.**
11. **Undgå at berøre terminalen på den trådløse enhed med de bare hænder eller metalliske materialer.**
12. **Tag altid batteriet ud af produktet, når den trådløse enhed monteres på det.**
13. **Når låget på åbningen åbnes, skal du undgå steder, hvor der kan komme støv eller vand ind i åbningen. Hold altid indgangen til åbningen ren.**
14. **Indsæt altid den trådløse enhed i den rigtige retning.**
15. **Undgå at trykke for hårdt på den trådløse aktiveringsknap på den trådløse enhed og/eller at trykke på knappen med en genstand med en skarp kant.**
16. **Luk altid låget på åbningen under brug.**
17. **Undlad at fjerne den trådløse enhed fra åbningen, når der er sluttet strøm til maskinen.** Hvis du gør dette, kan det medføre funktionsfejl i den trådløse enhed.
18. **Undlad at fjerne etiketten på den trådløse enhed.**
19. **Undlad at sætte nogen etiket på den trådløse enhed.**
20. **Lad ikke den trådløse enhed ligge på steder, hvor der kan genereres statisk elektricitet eller elektrisk støj.**
21. **Lad ikke den trådløse enhed ligge på steder, der er udsat for høj varme, for eksempel en bil, der står i solen.**
22. **Lad ikke den trådløse enhed ligge på et sted med støv eller pulver eller på et sted, hvor der kan udvikles ætsende gas.**

23. En pludselig temperaturændring kan forårsage dug på den trådløse enhed. Brug ikke den trådløse enhed, før duggen er tørret helt bort.
24. Ved rengøring af den trådløse enhed skal den aftørres forsigtigt med en tør, blød klud. Brug ikke rensebenzin, fortynder, ledende fedtstof eller lignende.
25. Ved opbevaring af den trådløse enhed skal den opbevares i den medfølgende æske eller i en beholder, der er fri for statisk elektricitet.
26. Indsæt ikke andre enheder end den trådløse enhed fra Makita i åbningen på maskinen.
27. Undlad at bruge maskinen, hvis låget til åbningen er beskadiget. Vand, støv og snavs, der kommer ind i åbningen, kan forårsage fejlfunktion.
28. Undlad at trække og/eller vride låget til åbningen mere end nødvendigt. Sæt låget på igen, hvis det falder af maskinen.
29. Udskift låget til åbningen, hvis det bliver væk eller ødelægges.

GEM DISSE FORSKRIFTER.

FUNKTIONSBESKRIVELSE

⚠ FORSIGTIG: Sørg altid for at maskinen er slukket, og at akkuen er taget ud, før der udføres justering eller kontrol af funktioner på maskinen.

Isætning eller fjernelse af akkuen

⚠ FORSIGTIG: Sluk altid for værktøjet, før De monterer eller fjerner akkuen.

⚠ FORSIGTIG: Hold værktøjet og akkuen fast ved montering eller fjernelse af akkuen. Hvis De ikke holder værktøjet og akkuen fast, kan de glide ud af hænderne på Dem og forårsage beskadigelse af værktøjet og akkuen eller personskaade.

► Fig.1: 1. Rød indikator 2. Knap 3. Akku

Akkuen fjernes ved, at De trækker den ud af værktøjet, idet De skyder knappen på forsiden af akkuen i stilling.

For at montere akkuen skal du justere tungen på akkuen med rillen i huset og skubbe den på plads. Indsæt den hele vejen, indtil den låses på plads med et lille klik. Hvis du kan se den røde indikator, som vist i figuren, er den ikke helt låst.

⚠ FORSIGTIG: Monter altid akkuen helt, indtil den røde indikator ikke længere er synlig. Hvis dette ikke gøres, kan den falde ud af værktøjet ved et uheld, hvorved De selv eller personer i nærheden kan komme til skade.

⚠ FORSIGTIG: Brug ikke magt ved montering af akkuen. Hvis akkuen ikke glider på plads uden problemer, betyder det, at den ikke sættes i på korrekt vis.

Indikation af den resterende batteriladning

Kun til akkuer med indikatoren

► Fig.2: 1. Indikatorlamper 2. Kontrolknap

Tryk på kontrolknappen på akkuen for at få vist den resterende batteriladning. Indikatorlampen lyser i nogle sekunder.

| Indikatorlamper | | | Resterende ladning |
|-----------------|---------|---------|-----------------------------------|
| Tændt | Slukket | Blinker | |
| ■ ■ ■ ■ | | | 75% til 100% |
| ■ ■ ■ □ | | | 50% til 75% |
| ■ ■ □ □ | | | 25% til 50% |
| ■ □ □ □ | | | 0% til 25% |
| ▣ □ □ □ | | | Genoplad batteriet. |
| ■ ■ □ □ | | | Der er muligvis fejl i batteriet. |
| □ □ ■ ■ | | | |

BEMÆRK: Afhængigt af brugsforholdene og den omgivende temperatur kan indikationen afvige en smule fra den faktiske ladning.

BEMÆRK: Den første indikatorlampe (længst mod venstre) vil blinke, når batteribeskyttelsessystemet aktiveres.

Beskyttelsessystem til værktøj/batteri

Maskinen er udstyret med et beskyttelsessystem til maskinen/batteriet. Dette system afbryder automatisk strømmen til motoren for at forlænge maskinens og batteriets levetid. Maskinen stopper automatisk under brugen, hvis maskinen eller batteriet udsættes for et af følgende forhold:

Overbelastningsbeskyttelse

Hvis maskinen eller batteriet bruges på en måde, der får den/det til at trække en unormalt høj strøm, stopper maskinen automatisk uden indikation. Sluk i så fald for maskinen, og ophør med den anvendelse, som medførte, at maskinen blev overbelastet. Tænd derefter for maskinen for at starte den igen.

Beskyttelse mod overophedning

Hvis maskinen eller batteriet bliver overophedet, stopper maskinen automatisk. Lad i så fald maskinen og batteriet køle ned, før der tændes for maskinen igen.

Beskyttelse mod overafledning

Når batteriladningen er utilstrækkelig, stopper maskinen automatisk. Tag i så fald akkuen ud af maskinen, og oplad akkuen.

Afbryderbetjening

⚠ FORSIGTIG: Undgå at tænde maskinen, mens den er placeret på arbejdsemnet eller på arbejdsbænken. Det kan forårsage personskade eller skade.

Sådan tændes og slukkes maskinen

Tryk på tænd/sluk-/hastighedsvælgerknappen øverst på hovedhåndtaget for at starte maskinen. Maskinen begynder at køre med sin højeste omløbs hastighed. Tryk på stopknappen for at afbryde eller stoppe anvendelsen.

- **Fig.3:** 1. Tænd/sluk-/hastighedsvælgerknop
2. Stopknop 3. Hovedhåndtag

Ændring af maskinhastigheden

Omløbs hastigheden kan ændres i tre tilstande, dvs. høj, medium og lav afhængigt af anvendelsen og arbejdsbelastningen.

Tryk på tænd/sluk-/hastighedsvælgerknappen for at skifte hastighedstilstand.

- **Fig.4:** 1. Tænd/sluk-/hastighedsvælgerknop

Tablet med hastighedsindstillinger

| Hastighedsniveau | Omløb pr. minut |
|------------------|--------------------------|
| 3 (Høj) | 12.000 min ⁻¹ |
| 2 (Medium) | 8.000 min ⁻¹ |
| 1 (Lav) | 4.000 min ⁻¹ |

BEMÆRKNING: Hvis maskinen anvendes kontinuerligt ved lav hastighed i længere tid ad gangen, bliver motoren overbelastet med funktionsforstyrrelser til følge.

BEMÆRKNING: Vælg et egnet hastighedsområde til slibeanvendelserne for at undgå overophedning og smeltning af arbejdsemnet. Slibning ved høj omløbs hastighed kan opvarme arbejdsemnet og smelte det på berøringspunktet.

Elektronisk funktion

Maskinen er udstyret med den elektroniske funktion for nem anvendelse.

Konstant hastighedskontrol

Denne funktion har en konstant omløbs hastighed for at opnå fin finish.

SAMLING

⚠ FORSIGTIG: Sørg altid for at maskinen er slukket, og at akkuen er taget ud, før der udføres noget arbejde på maskinen.

Montering og afmontering af slibepapir

⚠ FORSIGTIG: Sørg altid for, at et ark slibepapir er monteret sikkert før anvendelse. Ellers kan papiret løsne sig, let afmonteres og udsættes for glidning, hvilket resulterer i ujævn slibning.

Brug af slibepapir, der følger med maskinen

1. Skub og hold klemmehåndtaget nede på enten for- eller bagsiden af slibetallerkenen, og tryk den væk fra stopperen, så klemmen frigøres fra sin fastgjorte position.
2. Træk klemmehåndtaget så langt ud som muligt for at skabe et mellemrum mellem klemmen og sidevæggen på slibebasen, hvor den ene ende af slibepapiret kan indsættes.
► **Fig.5:** 1. Klemmehåndtag 2. Stopper 3. Klemme 4. Slibebase 5. Slibetallerken
3. Anbring et ark slibepapir over slibetallerkenen, og juster støvsugningshullerne i papiret med dem på slibetallerkenen.
► **Fig.6:** 1. Slibepapir 2. Slibetallerken 3. Støvsugningshul

4. Skub den ene ende af slibepapiret ind i rummet mellem klemmen og slibebasen.
5. Sæt klemmehåndtaget tilbage i en låst position, så enden af slibepapiret er sikkert fastspændt.
6. Frigør klemmen i den anden ende, og hold den anden ende af slibepapiret klar til at blive fastspændt.
7. Oprethold en korrekt spænding på slibepapiret, og sæt derefter klemmehåndtaget i den anden ende i en låst position.
► **Fig.7:** 1. Slibepapir 2. Klemme 3. Slibebase 4. Klemmehåndtag 5. Stopper

8. For at afmontere slibepapiret løsnes klemmerne i begge ender, og papiret tages af slibetallerkenen.

Brug af slibepapir til rådighed på markedet

1. Skær et ark slibepapir til en passende størrelse.
► **Fig.8:** 1. Slibepapir 2. Slibetallerken
2. Skub og hold klemmehåndtaget nede på enten for- eller bagsiden af slibetallerkenen, og tryk den væk fra stopperen, så klemmen frigøres fra sin fastgjorte position.
3. Træk klemmehåndtaget så langt ud som muligt for at skabe et mellemrum mellem klemmen og sidevæggen på slibebasen, hvor den ene ende af slibepapiret kan indsættes.
4. Skub den ene ende af slibepapiret ind i rummet mellem klemmen og slibebasen.
5. Flyt slibepapiret, så det er fint overlejret på slibetallerkenens overflade.
6. Sæt klemmehåndtaget tilbage i en låst position for at fastspænde enden af slibepapiret forsvarligt.
7. Frigør klemmen i den anden ende, og hold den anden ende af slibepapiret klar til at blive fastspændt.
8. Oprethold en korrekt spænding på slibepapiret, og sæt derefter klemmehåndtaget i den anden ende i en låst position.
► **Fig.9:** 1. Slibepapir 2. Klemme 3. Slibebase 4. Klemmehåndtag 5. Stopper

9. Tildæk slibepapiret med hulpladen med dens placeringsstoppere, der støder op til hjørnet, og som passer godt ind i to af sidekanterne på slibetallerkenen og slibebasen.

- **Fig.10:** 1. Slibepapir 2. Hulplade
3. Placeringsstoppere 4. Slibetallerken
5. Slibebase

10. Skub hulpladen over slibepapiret for at lave støvsugningshuller.

11. For at afmontere slibepapiret løsnes klemmerne i begge ender, og papiret tages af slibetallerkenen.

Brug af slibepapir med krog og løkke

Ekstraudstyr

⚠FORSIGTIG: Sørg for at montere en slibetallerken med krog og løkke korrekt og sikkert. Et løst monteret tilbehør vil komme ud af balance og forårsage en overdreven vibration, hvilket medfører tab af kontrol.

⚠FORSIGTIG: Sørg for, at en slibetallerken med krog og løkke og slibepapir er justeret og sikkert fastgjort.

⚠FORSIGTIG: Brug kun slibepapir med krog og løkke. Brug aldrig trykfølsomt slibepapir.

1. Løsn og afmonter de fire skruer, der fastgør slibetallerkenen til slibebasen.

2. Udskift den standardstyrede slibetallerken med en valgfri slibetallerken med krog og løkke.

3. Spænd skruerne godt fast igen for at fastgøre slibetallerkenen med krog og løkke.

- **Fig.11:** 1. Skruer 2. Slibebase 3. Slibetallerken

4. Fjern alt snavs og fremmedlegemer fra slibetallerkenen med krog og løkke.

5. Fastgør et ark valgfrit slibepapir med krog og løkke på slibetallerkenen, og juster støvsugningshullerne i papiret med dem på tallerkenen.

- **Fig.12:** 1. Slibetallerken
3. Støvsugningshuller

6. Hvis du vil afmontere slibepapiret, skal du trække det af fra kanten.

⚠FORSIGTIG: O-ringen kan komme ud af slibebasen, mens slibetallerkenen udskiftes. Sæt O-ringen tilbage i de cirkulære riller omkring af midten af basen, før den valgfrie slibetallerken monteres.

- **Fig.13:** 1. O-ring 2. Slibebase 3. Cirkulære riller

Montering og afmontering af støvpose

Ekstraudstyr

Fastgør støvposen over den tilspidsede støvåbning i motorhusets bagende. Sæt posens støvindløb på støvåbningen så langt som den kan komme for at undgå, at den falder af under anvendelse.

- **Fig.14:** 1. Støvåbning 2. Støvindløb 3. Støvpose

BEMÆRK: Sørg for at fastgøre støvposen med lynlåsskyderen vendt nedad.

BEMÆRK: For at sikre optimal støvopsamling skal støvposen tømmes, når den fyldes op til ca. halvdelen af sin kapacitet.

Afmonter støvposen fra maskinen, og træk fastgørelsesanordningen ud. Ryst eller tryk derefter forsigtigt på støvposen for at tømme den.

Montering og afmontering af støvkasse

Ekstraudstyr

Fastgør støvkassen over den tilspidsede støvåbning i motorhusets bagende. Sæt støvdysen på støvåbningen så langt som den kan komme for at undgå, at den falder af under anvendelse.

- **Fig.15:** 1. Støvåbning 2. Støvdyse 3. Støvkasse

BEMÆRK: For at sikre optimal støvopsamling skal støvkassen tømmes, når den fyldes op til ca. halvdelen af sin kapacitet.

1. Afmonter støvkassen fra maskinen.
2. Afmonter støvdysen fra kassen, mens du trykker på og holder låseknapperne nede på begge sider af kassen.
3. Ryst eller tryk forsigtigt på støvkassen for at tømme den.

Udskiftning af filter

BEMÆRKNING: Vær opmærksom på at justere alle logoerne på støvkassen, filteret og støvdysen i en ensartet retning, når komponenterne monteres igen.

1. Afmonter støvkassen fra maskinen.

2. Afmonter støvdysen fra kassen, mens du trykker på og holder låseknapperne nede på begge sider af kassen.

- **Fig.16:** 1. Støvdyse 2. Støvkasse 3. Låseknop

3. Hold i den inderste øverste kant af papåbningen, og træk den nedad for at frigøre den ydre øverste kant af papåbningen fra den øverste tilslutningstap på støvkassens læbe.

4. Tag filteret ud af støvkassen, mens du trækker den ydre nederste kant af papåbningen fri af den nederste tilslutningstap.

- **Fig.17:** 1. Filter 2. Papåbning 3. Øverste tilslutningstap 4. Nederste tilslutningstap 5. Støvkasse

5. Udskift et filter ved at gribe den nederste kant af papåbningen i den nederste tilslutningstap og skubbe den øverste kant indad, indtil den klipses ind i den øverste tilslutningstap.

- **Fig.18:** 1. Filter 2. Papåbning 3. Øverste tilslutningstap 4. Nederste tilslutningstap 5. Støvkasse

6. Sæt støvdysen på plads, mens du trykker på og holder låseknapperne på begge sider af støvkassen.

- **Fig.19:** 1. Støvdyse 2. Støvkasse 3. Låseknop

Montering og afmontering af frontgreb

Montering

Monter frontgrebet på maskinen før anvendelse, hvis det er særskilt inkluderet i pakken.

Indsæt enden af frontgrebet i åbningen på motorhuset, og juster konturerne på grebsenden med konturerne på åbningen.

Skub og hold frontgrebet fast mod huset, og drej det 90 grader med den gribende overflade opad.

- **Fig.20:** 1. Frontgreb 2. Åbning 3. Motorhus
4. Gribende overflade

⚠FORSIGTIG: Efter montering skal du trække i frontgrebet for at kontrollere, om det er forsvarligt fastgjort sammen.

BEMÆRKNING: Sørg for at skubbe frontgrebet helt ind i åbningsenden, og hold det placeret, hvor det er, mens du drejer frontgrebet. I modsat fald kan maskinen blive beskadiget.

Afmontering

Ved at afmontere det aftagelige frontgreb kan slibning i trange, begrænsede og svært tilgængelige områder udføres effektivt.

Skub og hold frontgrebet fast mod motorhuset, og drej det 90 grader til enten venstre eller højre. Træk det derefter væk fra maskinen.

Tilslutning med støvsuger

Ekstraudstyr

Når du ønsker at udføre ren slibning, skal du tilkoble en Makita-støvsuger til maskinen. Brug enten en valgfri slange på 28 mm eller en kombination af frontmanchetter 22 og slange, der følger med støvsugeren, for at etablere en forbindelse.

- **Fig.21:** 1. Støvåbning 2. Frontmanchetter 3. Slange
4. Støvsuger

Montering og afmontering af batteribeskytter

Ekstraudstyr

Batteribeskytteren er beregnet til at beskytte arbejdsemnet og batteriet.

- **Fig.22:** 1. Batteribeskytter

⚠FORSIGTIG: Hold aldrig en batteribeskytter i hånden, når maskinen bæres fra et område til et andet, eller når maskinen holdes, mens den ikke er i brug.

BEMÆRK: Batteribeskytteren kan ikke bruges sammen med de tynde batterier såsom BL1815N og BL1820B.

Følg nedenstående trin for at montere batteribeskytteren.

1. Sæt batteriet i batteribeskytteren som vist på figuren.

► **Fig.23**

2. Skub batteriet ind i batteribeskytteren, så batteribeskytterens bosser passer til hullerne på batteriet.

► **Fig.24:** 1. Hul 2. Boss

3. Sørg for, at de fire hjørner er hægtet godt fast på batteribeskytteren.

► **Fig.25**

For at afmontere batteribeskytteren skal du løsne de fire hjørner og langsomt trække batteriet ud af batteribeskytteren, så bosserne kommer ud af hullerne på batteriet. Mens du trækker i batteriet, skal du holde godt fast i batteriet og batteribeskytteren.

ANVENDELSE

Slibning

⚠FORSIGTIG: Brug aldrig maskinen uden slibepapir. Du kan beskadige slibetallerkenen alvorligt.

⚠FORSIGTIG: Brug aldrig magt på maskinen.

For stort tryk kan mindske slibeeffektiviteten, beskadige slibepapiret og/eller reducere maskinens levetid.

Slibning af åbne områder

1. Hold maskinen godt fast med begge hænder, den ene hånd på håndtaget og den anden på frontgrebet.

2. Tænd for maskinen, og vent, til den når fuld hastighed.

3. Anbring forsigtigt maskinen på arbejdsemnets overflade.

4. Hold hele slibetallerkenen vandret og jævn med overfladen, og tryk let på maskinen.

► **Fig.26**

Slibning af afgrænsede områder

1. Afmonter frontgrebet fra maskinen.

2. Hold håndtaget med den ene hånd.

3. Tænd for maskinen, og vent, til den når fuld hastighed.

4. Anbring forsigtigt maskinen på arbejdsemnets overflade.

5. Hold hele slibetallerkenen vandret og jævn med overfladen, og tryk let på maskinen.

6. Flyt maskinen langs kurver, vægflader og i andre afgrænsede områder for at slibe med slibetallerkenens forreste kanter og hjørnekanter efter behov.

► **Fig.27**

TRÅDLØS AKTIVERINGSFUNKTION

Kun for model DBO381

BEMÆRKNING: Den trådløse funktion er kun tilgængelig, når den understøttede støvsuger monteres.

Hvad kan du foretage dig med den trådløse aktiveringsfunktion

Den trådløse aktiveringsfunktion muliggør ren og behagelig anvendelse. Hvis der sluttes en understøttet støvsuger til maskinen, kan du lade støvsugeren køre automatisk, når kontakten på maskinen betjenes.

► Fig.28

Hvis du vil bruge den trådløse aktiveringsfunktion, skal du forberede følgende genstande:

- En trådløs enhed (ekstraudstyr)
- En støvsuger, der understøtter den trådløse aktiveringsfunktion

Følgende er et overblik over indstilling af den trådløse aktiveringsfunktion. Se de enkelte afsnit for detaljerede procedurer.

1. Montering af en trådløs enhed
2. Maskinregistrering til støvsugeren
3. Start af den trådløse aktiveringsfunktion

Montering af en trådløs enhed

Ekstraudstyr

⚠ FORSIGTIG: Placer maskinen på en flad og stabil overflade, når den trådløse enhed monteres.

BEMÆRKNING: Fjern støv og snavs fra maskinen, før den trådløse enhed monteres. Støv eller snavs kan forårsage funktionsfejl, hvis det kommer ind i åbningen til den trådløse enhed.

BEMÆRKNING: For at forhindre fejlfunktion forårsaget af statisk elektricitet skal du berøre et statisk afledende materiale som f.eks. en metaldele på maskinen, før du tager den trådløse enhed op.

BEMÆRKNING: Ved montering af den trådløse enhed skal du altid sikre dig, at den trådløse enhed er indsat i den korrekte retning, og at låget er lukket helt.

1. Åbn låget på maskinen som vist på figuren.
► Fig.29: 1. Låg
2. Indsæt den trådløse enhed i åbningen, og luk derefter låget. Ved indsættelse af den trådløse enhed skal fremspringene justeres i forhold til de forsinkede dele på åbningen.
► Fig.30: 1. Trådløs enhed 2. Fremspring 3. Låg 4. Forsænket del

Ved fjernelse af den trådløse enhed åbnes låget langsomt. Krogene bag på låget løfter den trådløse enhed, når du trækker låget op.

► Fig.31: 1. Trådløs enhed 2. Krog 3. Låg

Når den trådløse enhed er fjernet, skal den opbevares i den medfølgende æske eller i en beholder, der er fri for statisk elektricitet.

BEMÆRKNING: Brug altid kroge bag på låget ved fjernelse af den trådløse enhed. Hvis kroge ikke griber fat i den trådløse enhed, skal du lukke låget helt og åbne det langsomt igen.

Maskinregistrering til støvsugeren

BEMÆRK: Du skal bruge en Makita-støvsuger, der understøtter den trådløse aktiveringsfunktion, til maskinregistreringen.

BEMÆRK: Afslut monteringen af den trådløse enhed på maskinen, før maskinregistreringen startes.

BEMÆRK: Under maskinregistreringen må du ikke trykke på afbryderknappen eller tænde for hovedafbryderen på støvsugeren.

BEMÆRK: Se også i brugsanvisningen til støvsugeren.

Hvis du vil aktivere støvsugeren, når kontakten på maskinen betjenes, skal du først afslutte maskinregistreringen.

1. Sæt batterierne i støvsugeren og maskinen.

2. Sæt standby-kontakten på støvsugeren til "AUTO".

► Fig.32: 1. Standby-kontakt

3. Tryk på den trådløse aktiveringsknap på støvsugeren i 3 sekunder, indtil den trådløse aktiveringslampe blinker grønt. Tryk derefter på den trådløse aktiveringsknap på maskinen på samme måde.

► Fig.33: 1. Trådløs aktiveringsknap 2. Trådløs aktiveringslampe

Hvis støvsugeren og maskinen sammenkædes korrekt, lyser de trådløse aktiveringslamper grønt i 2 sekunder og begynder at blinke blåt.

BEMÆRK: De trådløse aktiveringslamper holder op med at blinke grønt efter 20 sekunder. Tryk på den trådløse aktiveringsknap på maskinen, når den trådløse aktiveringslampe på støvsugeren blinker. Hvis den trådløse aktiveringslampe ikke blinker grønt, skal du trykke kortvarigt på den trådløse aktiveringsknap og holde den nede igen.

BEMÆRK: Når der udføres to eller flere maskinregistreringer for én støvsuger, skal maskinregistreringerne udføres en for en.

Start af den trådløse aktiveringsfunktion

BEMÆRK: Afslut maskinregistreringen for støvsugeren før den trådløse aktivering.

BEMÆRK: Se også i brugsanvisningen til støvsugeren.

Når en maskine er registreret til støvsugeren, kører støvsugeren automatisk, når kontakten på maskinen betjenes.

1. Monter den trådløse enhed på maskinen.

2. Slut støvsugerens slange til maskinen.

► Fig.34

3. Sæt standby-kontakten på støvsugeren til "AUTO".

► Fig.35: 1. Standby-kontakt

4. Tryk kortvarigt på den trådløse aktiveringsknap på maskinen. Den trådløse aktiveringslampe blinker blåt.

► **Fig.36:** 1. Trådløs aktiveringsknap 2. Trådløs aktiveringslampe

5. Tænd for maskinen. Kontroller, om støvsugeren kører, mens maskinen er i drift.

Tryk på den trådløse aktiveringsknap på maskinen for at stoppe den trådløse aktivering af støvsugeren.

BEMÆRK: Den trådløse aktiveringslampe på maskinen holder op med at blinke blåt, hvis der ikke sker nogen betjening i 2 timer. Indstil i så fald standby-kontakten på støvsugeren til "AUTO", og tryk på den trådløse aktiveringsknap på maskinen igen.

BEMÆRK: Støvsugeren starter/stopper med en forsinkelse. Der er en forsinkelse, når støvsugeren registrerer en betjening af kontakten på maskinen.










BEMÆRK: Den trådløse enheds transmissionsafstand kan variere afhængigt af placeringen og de omgivende forhold.

BEMÆRK: Når to eller flere maskiner er registreret til én støvsuger, kan støvsugeren begynde at køre, selvom du ikke tænder for maskinen, fordi en anden bruger anvender den trådløse aktiveringsfunktion.

Beskrivelse af den trådløse aktiveringslampes status

► **Fig.37:** 1. Trådløs aktiveringslampe

Den trådløse aktiveringslampe viser status for den trådløse aktiveringsfunktion. Se i tabellen nedenfor vedrørende betydningen af lampens status.

| Status | Trådløs aktiveringslampe | | | Varighed | Beskrivelse |
|-------------------------------|--------------------------|---|---|---------------------|---|
| | Farve |  Tændt |  Blinker | | |
| Standby | Blå |  | | 2 timer | Den trådløse aktivering af støvsugeren er tilgængelig. Lampen slukkes automatisk, hvis der ikke sker nogen betjening i 2 timer. |
| | |  | | Når maskinen kører. | Den trådløse aktivering af støvsugeren er tilgængelig, og maskinen kører. |
| Maskinregistrering | Grøn |  | | 20 sekunder | Klar til maskinregistrering. Venter på registrering fra støvsugeren. |
| | |  | | 2 sekunder | Maskinregistreringen er fuldført. Den trådløse aktiveringslampe begynder at blinke blåt. |
| Annullerer maskinregistrering | Rød |  | | 20 sekunder | Klar til annullering af maskinregistrering. Venter på annullering fra støvsugeren. |
| | |  | | 2 sekunder | Annulleringen af maskinregistreringen er fuldført. Den trådløse aktiveringslampe begynder at blinke blåt. |
| Andre | Rød |  | | 3 sekunder | Der er strøm til den trådløse enhed, og den trådløse aktiveringsfunktion starter. |
| | | Slukket | - | - | Den trådløse aktivering af støvsugeren er stoppet. |

Annullerer maskinregistrering for støvsugeren

Benyt følgende fremgangsmåde ved annullering af maskinregistreringen for støvsugeren.

1. Sæt batterierne i støvsugeren og maskinen.

2. Sæt standby-kontakten på støvsugeren til "AUTO".

► **Fig.38:** 1. Standby-kontakt

3. Tryk på den trådløse aktiveringsknap på støvsugeren i 6 sekunder. Den trådløse aktiveringslampe blinker grønt og bliver derefter rød. Tryk derefter på den trådløse aktiveringsknap på maskinen på samme måde.

► **Fig.39:** 1. Trådløs aktiveringsknap 2. Trådløs aktiveringslampe

Hvis annulleringen gennemføres korrekt, lyser de trådløse aktiveringslamper rødt i 2 sekunder og begynder at blinke blåt.

BEMÆRK: De trådløse aktiveringslamper holder op med at blinke rødt efter 20 sekunder. Tryk på den trådløse aktiveringsknap på maskinen, når den trådløse aktiveringslampe på støvsugeren blinker. Hvis den trådløse aktiveringslampe ikke blinker rødt, skal du trykke kortvarigt på den trådløse aktiveringsknap og holde den nede igen.

Fejlfinding i forbindelse med den trådløse aktiveringsfunktion

Udfør selv en inspektion, inden De anmoder om reparation. Hvis De opdager et problem, som ikke er forklaret i brugsanvisningen, må De ikke forsøge at adskille maskinen. Rådfør Dem i stedet med et autoriseret Makita Servicecenter, og brug altid originale Makita udskiftningsdele til reparationer.

| Unormal tilstand | Sandsynlig årsag (fejl) | Afhjælpning |
|---|---|---|
| Den trådløse aktiveringslampe tændes/blinker ikke. | Den trådløse enhed er ikke monteret på maskinen. Den trådløse enhed er ikke monteret korrekt på maskinen. | Monter den trådløse enhed korrekt. |
| | Terminalen på den trådløse enhed og/eller åbningen er snavset. | Aftør forsigtigt støv og snavs på terminalen på den trådløse enhed, og rengør åbningen. |
| | Der er ikke trykket på den trådløse aktiveringsknap på maskinen. | Tryk kortvarigt på den trådløse aktiveringsknap på maskinen. |
| | Standby-kontakten på støvsugeren er ikke indstillet til "AUTO". | Sæt standby-kontakten på støvsugeren til "AUTO". |
| | Ingen strømforsyning | Tilfør strøm til maskinen og støvsugeren. |
| Kan ikke afslutte maskinregistrering/annullering af maskinregistrering korrekt. | Den trådløse enhed er ikke monteret på maskinen. Den trådløse enhed er ikke monteret korrekt på maskinen. | Monter den trådløse enhed korrekt. |
| | Terminalen på den trådløse enhed og/eller åbningen er snavset. | Aftør forsigtigt støv og snavs på terminalen på den trådløse enhed, og rengør åbningen. |
| | Standby-kontakten på støvsugeren er ikke indstillet til "AUTO". | Sæt standby-kontakten på støvsugeren til "AUTO". |
| | Ingen strømforsyning | Tilfør strøm til maskinen og støvsugeren. |
| | Forkert betjening | Tryk kortvarigt på den trådløse aktiveringsknap, og udfør procedurerne for maskinregistrering/annullering igen. |
| | Maskinen og støvsugeren er ikke i nærheden af hinanden (uden for transmissionsafstand). | Flyt maskinen og støvsugeren tættere på hinanden. Den maksimale transmissionsafstand er cirka 10 m, men kan variere afhængigt af forholdene. |
| | Før du afslutter registreringen/annulleringen af maskinen; - er kontakten på maskinen tændt eller; - er tænd/sluk-knappen på støvsugeren tændt. | Tryk kortvarigt på den trådløse aktiveringsknap, og udfør procedurerne for maskinregistrering/annullering igen. |
| | Maskinregistreringsprocedurerne på maskinen eller støvsugeren er ikke fuldført. | Gennemfør maskinregistreringsprocedurerne både på maskinen og støvsugeren på samme tid. |
| | Radiointerferens fra andre apparater, der udsender højintens radiobølger. | Hold maskinen og støvsugeren væk fra apparater som f.eks. Wi-Fi-enheder og mikrobølgeovne. |
| Støvsugeren kører ikke, når kontakten på maskinen betjenes. | Den trådløse enhed er ikke monteret på maskinen. Den trådløse enhed er ikke monteret korrekt på maskinen. | Monter den trådløse enhed korrekt. |
| | Terminalen på den trådløse enhed og/eller åbningen er snavset. | Aftør forsigtigt støv og snavs på terminalen på den trådløse enhed, og rengør åbningen. |
| | Der er ikke trykket på den trådløse aktiveringsknap på maskinen. | Tryk kortvarigt på den trådløse aktiveringsknap, og kontroller, at den trådløse aktiveringslampe blinker blåt. |
| | Standby-kontakten på støvsugeren er ikke indstillet til "AUTO". | Sæt standby-kontakten på støvsugeren til "AUTO". |
| | Der er registreret mere end 10 maskiner til støvsugeren. | Udfør maskinregistreringen igen. Hvis der er registreret mere end 10 maskiner til støvsugeren, bliver den maskine, der blev registreret tidligst, automatisk annulleret. |
| | Støvsugeren har slettet alle maskinregistreringer. | Udfør maskinregistreringen igen. |
| | Ingen strømforsyning | Tilfør strøm til maskinen og støvsugeren. |
| | Maskinen og støvsugeren er ikke i nærheden af hinanden (uden for transmissionsafstand). | Flyt maskinen og støvsugeren tættere på hinanden. Den maksimale transmissionsafstand er cirka 10 m, men kan variere afhængigt af forholdene. |
| | Radiointerferens fra andre apparater, der udsender højintens radiobølger. | Hold maskinen og støvsugeren væk fra apparater som f.eks. Wi-Fi-enheder og mikrobølgeovne. |
| Støvsugeren kører, mens maskinen ikke er i drift. | Andre brugere anvender den trådløse aktivering af støvsugeren med deres maskiner. | Deaktiver den trådløse aktiveringsknap på de andre maskiner, eller annuller maskinregistreringen af de andre maskiner. |

VEDLIGEHOELDELSE

⚠️ FORSIGTIG: Vær altid sikker på, at værktøjet er slukket, og at akkuen er taget ud, inden De begynder at udføre inspektion eller vedligeholdelse.

BEMÆRKNING: Anvend aldrig benzin, rensebenzin, fortynder, alkohol og lignende. Det kan medføre misfarvning, deformation eller revner.

For at opretholde produktets SIKKERHED og PÅLIDELIGHED må reparation, vedligeholdelse eller justering kun udføres af et autoriseret Makita servicecenter eller fabrikksservicecenter med anvendelse af Makita reservedele.

Efter anvendelse

Aftør maskinen med en tør klud eller en klud, der er let fugtet med sæbevand med jævne mellemrum.

EKSTRAUDSTYR

⚠️ FORSIGTIG: Det følgende tilbehør og ekstraudstyr er anbefalet til brug med Deres Makita maskine, der er beskrevet i denne brugsanvisning. Anvendelse af andet tilbehør eller ekstraudstyr kan udgøre en risiko for personskade. Anvend kun tilbehør og ekstraudstyr til det beskrevne formål.

Hvis De behøver hjælp ved valg af tilbehør eller ønsker yderligere informationer, bedes De kontakte Deres lokale Makita servicecenter.

- Slibepapir (med forstansede huller)
- Slibepapir af typen med krog og løkke
- Hulplade
- Bagtallerken (til brug med slibepapir af typen med krog og løkke)
- Bagtallerken (til brug med almindeligt slibepapir)
- Støvpose
- Støvkasse
- Filter
- Slange
- Trådløs enhed (Kun for model DBO381)
- Batteribeskytter
- Original Makita-akku og oplader

BEMÆRK: Nogle ting på denne liste kan være inkluderet i værktøjspakken som standardtilbehør. Det kan være forskellige fra land til land.

ΠΡΟΔΙΑΓΡΑΦΕΣ

| Μοντέλο: | DBO380 | DBO381 |
|---|----------------|--------------------------|
| Μέγεθος πέλματος | 93 mm x 185 mm | |
| Μέγεθος λειαντικού χαρτιού | 93 mm x 228 mm | |
| Περιστροφές ανά λεπτό | Υψηλές | 12.000 min ⁻¹ |
| | Μεσαίες | 8.000 min ⁻¹ |
| | Χαμηλές | 4.000 min ⁻¹ |
| Συνολικό μήκος (με μπροστινή χειρολαβή) | 336 mm | |
| Ονομαστική τάση | D.C. 18 V | |
| Καθαρό βάρος | 1,9 - 2,2 kg | |

- Λόγω του συνεχιζόμενου προγράμματος έρευνας και ανάπτυξης, οι προδιαγραφές αυτές υπόκεινται σε αλλαγές χωρίς προειδοποίηση.
- Οι προδιαγραφές και η κασέτα μπαταριών μπορεί να διαφέρουν ανάλογα με τη χώρα.
- Το βάρος μπορεί να διαφέρει ανάλογα με τα προσαρτήματα, συμπεριλαμβάνοντας την κασέτα μπαταριών. Ο ελαφρύτερος και ο βαρύτερος συνδυασμός, σύμφωνα με τη διαδικασία ΕΡΤΑ 01/2014, παρουσιάζονται στον πίνακα.

Ισχύουσα κασέτα μπαταριών και φορτιστής

| | |
|------------------|---|
| Κασέτα μπαταρίας | BL1815N / BL1820B / BL1830B / BL1840B / BL1850B / BL1860B |
| Φορτιστής | DC18RC / DC18RD / DC18RE / DC18SD / DC18SE / DC18SF / DC18SH / DC18WC |

- Ορισμένες από τις κασέτες και τους φορτιστές μπαταριών που αναγράφονται παραπάνω ίσως να μην είναι διαθέσιμοι, ανάλογα με την τοποθεσία κατοικίας σας.

⚠️ ΠΡΟΕΙΔΟΠΟΙΗΣΗ: Να χρησιμοποιείτε μόνο τις κασέτες μπαταριών και τους φορτιστές που παρατίθενται ανωτέρω. Η χρήση οποιασδήποτε άλλης κασέτας μπαταριών ή φορτιστή μπορεί να προκαλέσει τραυματισμό ή/και πυρκαγιά.

Προοριζόμενη χρήση

Το εργαλείο προορίζεται για λείανση μεγάλων επιφανειών από ξύλο, πλαστικά και μεταλλικά υλικά καθώς και βαμμένων επιφανειών.

Θόρυβος

Το τυπικό Α επίπεδο καταμετρημένου θορύβου καθορίζεται σύμφωνα με το EN62841-2-4:

Μοντέλο DBO380

Στάθμη ηχητικής πίεσης (L_{PA}): 72 dB (A)

Αβεβαιότητα (K): 3 dB (A)

Μοντέλο DBO381

Στάθμη ηχητικής πίεσης (L_{PA}): 72 dB (A)

Αβεβαιότητα (K): 3 dB (A)

Η ένταση θορύβου υπό συνθήκες εργασίας μπορεί να υπερβεί τα 80 dB (A).

ΠΑΡΑΤΗΡΗΣΗ: Η δηλωμένη τιμή(ές) εκπομπής θορύβου έχει μετρηθεί σύμφωνα με την πρότυπη μέθοδο δοκιμής και μπορεί να χρησιμοποιηθεί για τη σύγκριση ενός εργαλείου με κάποιο άλλο.

ΠΑΡΑΤΗΡΗΣΗ: Η δηλωμένη τιμή(ές) εκπομπής θορύβου μπορεί να χρησιμοποιηθεί και στην προκαταρκτική αξιολόγηση της έκθεσης.

⚠️ ΠΡΟΕΙΔΟΠΟΙΗΣΗ: Να φοράτε ωτοασπίδες.

⚠️ ΠΡΟΕΙΔΟΠΟΙΗΣΗ: Η εκπομπή θορύβου κατά τη χρήση του ηλεκτρικού εργαλείου σε πραγματικές συνθήκες μπορεί να διαφέρει από τη δηλωμένη τιμή(ές) ανάλογα με τους τρόπους χρήσης του εργαλείου, ιδιαίτερα το είδος του τεμαχίου εργασίας που υπόκειται επεξεργασία.

⚠️ ΠΡΟΕΙΔΟΠΟΙΗΣΗ: Φροντίστε να λάβετε τα κατάλληλα μέτρα προστασίας του χειριστή βάσει ενός υπολογισμού της έκθεσης σε πραγματικές συνθήκες χρήσης (λαμβάνοντας υπόψη όλες τις συνιστώσες του κύκλου λειτουργίας όπως τους χρόνους που το εργαλείο είναι εκτός λειτουργίας και όταν βρίσκεται σε αδρανή λειτουργία πέραν του χρόνου ενεργοποίησης).

Κραδασμός

Η ολική τιμή δόνησης (άθροισμα τρι-αξονικού διανύσματος) καθορίζεται σύμφωνα με το EN62841-2-4:

Μοντέλο DBO380

Είδος εργασίας: Λείανση μεταλλικής πλάκας

Εκπομπή δόνησης (a_h): 3,6 m/s²

Αβεβαιότητα (K): 1,5 m/s²

Μοντέλο DBO381

Είδος εργασίας: Λείανση μεταλλικής πλάκας

Εκπομπή δόνησης (a_h): 3,6 m/s²

Αβεβαιότητα (K): 1,5 m/s²

ΠΑΡΑΤΗΡΗΣΗ: Η δηλωμένη τιμή(ές) συνολικών κραδασμών έχει μετρηθεί σύμφωνα με την πρότυπη μέθοδο δοκιμής και μπορεί να χρησιμοποιηθεί για τη σύγκριση ενός εργαλείου με κάποιο άλλο.

ΠΑΡΑΤΗΡΗΣΗ: Η δηλωμένη τιμή(ές) συνολικών κραδασμών μπορεί να χρησιμοποιηθεί και στην προκαταρκτική αξιολόγηση της έκθεσης.

▲ΠΡΟΕΙΔΟΠΟΙΗΣΗ: Η εκπομπή κραδασμών κατά τη χρήση του ηλεκτρικού εργαλείου σε πραγματικές συνθήκες μπορεί να διαφέρει από τη δηλωμένη τιμή(ές) εκπομπής ανάλογα με τους τρόπους χρήσης του εργαλείου, ιδιαίτερα το είδος του τεμαχίου εργασίας που υπόκειται επεξεργασία.

▲ΠΡΟΕΙΔΟΠΟΙΗΣΗ: Φροντίστε να λάβετε τα κατάλληλα μέτρα προστασίας του χειριστή βάσει ενός υπολογισμού της έκθεσης σε πραγματικές συνθήκες χρήσης (λαμβάνοντας υπόψη όλες τις συνιστώσες του κύκλου λειτουργίας όπως τους χρόνους που το εργαλείο είναι εκτός λειτουργίας και όταν βρίσκεται σε αδρανή λειτουργία πέραν του χρόνου ενεργοποίησης).

Δήλωση συμμόρφωσης ΕΚ

Μόνο για χώρες της Ευρώπης

Η δήλωση συμμόρφωσης ΕΚ περιλαμβάνεται ως Παράρτημα Α στο παρόν χειρίδιο οδηγιών.

ΠΡΟΕΙΔΟΠΟΙΗΣΕΙΣ ΑΣΦΑΛΕΙΑΣ

Γενικές προειδοποιήσεις ασφαλείας για το ηλεκτρικό εργαλείο

▲ΠΡΟΕΙΔΟΠΟΙΗΣΗ: Διαβάστε όλες τις προειδοποιήσεις ασφαλείας, οδηγίες, εικονογραφίες και προδιαγραφές που παρέχονται με αυτό το ηλεκτρικό εργαλείο. Η μη τήρηση όλων των οδηγιών που αναγράφονται κατωτέρω μπορεί να καταλήξει σε ηλεκτροπληξία, πυρκαγιά ή/και σοβαρό τραυματισμό.

Φυλάξτε όλες τις προειδοποιήσεις και τις οδηγίες για μελλοντική παραπομπή.

Στις προειδοποιήσεις, ο όρος «ηλεκτρικό εργαλείο» αναφέρεται σε ηλεκτρικό εργαλείο που τροφοδοτείται από την κύρια παροχή ηλεκτρικού ρεύματος (με ηλεκτρικό καλώδιο) ή σε ηλεκτρικό εργαλείο που τροφοδοτείται από μπαταρία (χωρίς ηλεκτρικό καλώδιο).

Προειδοποιήσεις ασφαλείας για το λειαντήρα

1. Να χρησιμοποιείτε πάντα γυαλιά ασφαλείας ή προστατευτικά γυαλιά. Τα συνθιγμένα γυαλιά οράσεως ή γυαλιά ηλίου ΔΕΝ είναι γυαλιά ασφαλείας.
2. Κρατήστε το εργαλείο σταθερό.
3. Μην αφήνετε το εργαλείο σε λειτουργία. Να χειρίζεστε το εργαλείο μόνο όταν το κρατάτε με τα χέρια σας.

4. Το εργαλείο αυτό δεν είναι αδιάβροχο, για αυτό το λόγο μη χρησιμοποιείτε νερό στην επιφάνεια του τεμαχίου εργασίας.
5. Να αερίζετε το χώρο εργασίας επαρκώς όταν εκτελείτε εργασίες λείανσης.
6. Μερικά υλικά περιέχουν χημικές ουσίες που μπορεί να είναι τοξικές. Προσέχετε να μην εισπνεύσετε σκόνη και να μην έχετε δερματική επαφή. Ακολουθείτε τα δεδομένα ασφαλείας υλικού που παρέχονται από τον προμηθευτή.
7. Η χρήση του εργαλείου αυτού για λείανση μερικών προϊόντων, χρωμάτων και ξύλου, μπορεί να εκθέσει τον χρήστη σε σκόνη που περιέχει επικίνδυνες ουσίες. Να χρησιμοποιείτε κατάλληλη αναπνευστική προστασία.
8. Βεβαιωθείτε ότι δεν υπάρχουν ρωγμές ή σπάσιμο στο πέλμα πριν από τη χρήση. Οι ρωγμές ή τα σπασίματα μπορεί να προκαλέσουν σοβαρό προσωπικό τραυματισμό.
9. Προσέχετε το στήριγμα των ποδιών σας και διατηρείτε την ισορροπία σας με το εργαλείο. Βεβαιωθείτε ότι δεν υπάρχει κανείς από κάτω όταν εργάζεστε σε υψηλές τοποθεσίες.

ΦΥΛΑΞΤΕ ΑΥΤΕΣ ΤΙΣ ΟΔΗΓΙΕΣ.

▲ΠΡΟΕΙΔΟΠΟΙΗΣΗ: ΜΗΝ επιτρέψετε στην άνεση ή στην εξοικειωσή σας με το προϊόν (που αποκτήθηκε από επανειλημμένη χρήση) να αντικαταστήσει την αυστηρή τήρηση των κανόνων ασφαλείας του παρόντος εργαλείου. Η ΛΑΝΘΑΣΜΕΝΗ ΧΡΗΣΗ ή η αμέλεια να ακολουθήσετε τους κανόνες ασφαλείας που διατυπώνονται στο παρόν χειρίδιο οδηγιών μπορεί να προκαλέσει σοβαρό προσωπικό τραυματισμό.

Σημαντικές οδηγίες ασφαλείας για κασέτα μπαταριών

1. Πριν χρησιμοποιήσετε την κασέτα μπαταριών, διαβάστε όλες τις οδηγίες και σημειώσεις προφύλαξης (1) στον φορτιστή μπαταριών, (2) στην μπαταρία και (3) στο προϊόν που χρησιμοποιεί την μπαταρία.
2. Μην αποσυρμολογήσετε ή παραβιάσετε την κασέτα μπαταριών. Μπορεί να έχει ως αποτέλεσμα πυρκαγιά, υπερθέρμανση ή έκρηξη.
3. Εάν ο χρόνος λειτουργίας έχει γίνει υπερβολικά βραχύς, σταματήστε τη λειτουργία αμέσως. Αλλιώς, μπορεί να έχει ως αποτέλεσμα κίνδυνο υπερθέρμανσης, πιθανά εγκαύματα ή κόμην και έκρηξη.
4. Εάν ηλεκτρολύτης μπει στα μάτια σας, ξεπλύνετε τα με καθαρό νερό και ζητήστε ιατρική φροντίδα αμέσως. Αλλιώς, μπορεί να έχει ως αποτέλεσμα απώλεια της όρασης σας.
5. Μην βραχυκυκλώνετε την κασέτα μπαταριών:
 - (1) Μην αγγίζετε τους πόλους με οτιδήποτε αγώγιμο υλικό.
 - (2) Αποφύγετε να αποθηκεύετε την κασέτα μπαταριών μέσα σε ένα δοχείο μαζί με άλλα μεταλλικά αντικείμενα όπως καρφιά, νομίσματα, κλπ.
 - (3) Μην εκθέτετε την κασέτα μπαταριών στο νερό ή στη βροχή.

Ένα βραχυκύκλωμα μπαταρίας μπορεί να προκαλέσει μεγάλη ροή ρεύματος, υπερθέρμανση, πιθανά εγκαύματα ακόμη και σοβαρή βλάβη.

- Μην αποθηκεύετε και μην χρησιμοποιείτε το εργαλείο και την κασέτα μπαταριών σε τοποθεσίες όπου η θερμοκρασία μπορεί να φτάσει ή να ξεπεράσει τους 50°C.
- Μην καίτε την κασέτα μπαταριών ακόμη και εάν έχει σοβαρή ζημιά ή είναι εντελώς φθαρμένη. Η κασέτα μπαταριών μπορεί να εκραγεί στη φωτιά.
- Μην κερφώσετε, κόψετε, συνθλίψετε, πετάξετε ή ρίξετε κάτω την κασέτα μπαταριών, ούτε να χτυπήσετε ένα σκληρό αντικείμενο επάνω στην κασέτα μπαταριών. Τέτοια συμπεριφορά μπορεί να έχει ως αποτέλεσμα πυρκαγιά, υπερθέρμανση ή έκρηξη.
- Μην χρησιμοποιείτε μπαταρία που έχει υποστεί ζημιά.
- Οι μπαταρίες ιόντων λιθίου που περιέχονται υπόκεινται στις απαιτήσεις της νομοθεσίας για επικίνδυνα αγαθά.

Για εμπορικές μεταφορές, για παράδειγμα από τρίτα μέρη, πρέπει να τηρούνται οι διαμεταφορές, οι ειδικές απαιτήσεις στη συσκευασία και η επισήμανση. Για προτοιμασία του στοιχείου που αποστέλλεται, είναι απαραίτητο να συμβουλευτείτε έναν ειδικό για επικίνδυνα υλικά. Επίσης, τηρήστε τους πιθανούς, πιο αναλυτικούς εθνικούς κανονισμούς. Καλύψτε με αυτοκόλλητη ταινία ή κρύψτε τις ανοικτές επαφές και συσκευάστε την μπαταρία με τρόπο που να μην μπορεί να μετακινείται μέσα στη συσκευασία.

- Όταν απορρίπτετε την κασέτα μπαταριών, αφαιρέστε την από το εργαλείο και διαθέστε την σε ένα ασφαλές μέρος. Τηρήστε τους τοπικούς κανονισμούς που σχετίζονται με τη διάθεση της μπαταρίας.
- Χρησιμοποιήστε τις μπαταρίες μόνο με τα προϊόντα που καθορίζει η Makita. Αν τοποθετήσετε τις μπαταρίες σε μη συμβατά προϊόντα μπορεί να έχει ως αποτέλεσμα πυρκαγιά, υπερβολική θερμότητα, έκρηξη ή διαρροή ηλεκτρολύτη.
- Αν δεν χρησιμοποιείτε το εργαλείο για μεγάλο χρονικό διάστημα, πρέπει να βγάλετε την μπαταρία από το εργαλείο.
- Κατά τη διάρκεια και μετά τη χρήση, η κασέτα μπαταριών μπορεί να θερμανθεί, γεγονός που μπορεί να προκαλέσει εγκαύματα ή εγκαύματα από χαμηλή θερμοκρασία. Προσέχετε το χειρισμό των ζεστών κασετών μπαταριών.
- Μην αγγίξετε τον ακροδέκτη του εργαλείου αμέσως μετά τη χρήση επειδή μπορεί να έχει ζεσταθεί αρκετά για να προκαλέσει εγκαύματα.
- Μην αφήνετε θραύσματα, σκόνη ή βρομιά να κολλήσει στους ακροδέκτες, τις σπές και τις γκοπητές της κασέτας μπαταριών. Μπορεί να προκαλέσει θέρμανση, φωτιά, έκρηξη και δυσλειτουργία του εργαλείου ή της κασέτας μπαταριών, έχοντας ως αποτέλεσμα εγκαύματα ή προσωπικό τραυματισμό.
- Εκτός αν το εργαλείο υποστηρίζει τη χρήση κοντά σε ηλεκτρικές γραμμές υψηλής τάσης, μην χρησιμοποιείτε την κασέτα μπαταριών κοντά σε ηλεκτρικές γραμμές υψηλής τάσης. Μπορεί να έχει ως αποτέλεσμα δυσλειτουργία ή σπάσιμο του εργαλείου ή της κασέτας μπαταριών.

18. Κρφυλάξτε την μπαταρία μακριά από παιδιά.

ΦΥΛΑΞΤΕ ΤΙΣ ΟΔΗΓΙΕΣ ΑΥΤΕΣ.

▲ΠΡΟΣΟΧΗ: Να χρησιμοποιείτε μόνο γνήσιες μπαταρίες της Makita. Η χρήση μη γνήσιων μπαταριών Makita, ή μπαταριών που έχουν τροποποιηθεί, μπορεί να έχει ως αποτέλεσμα τη ρήξη της μπαταρίας, προκαλώντας πυρκαγιά, προσωπικό τραυματισμό και βλάβη. Επίσης, θα ακυρωθεί η εγγύηση της Makita για το εργαλείο και φορτιστή Makita.

Συμβουλές για τη διατήρηση της μέγιστης ζωής μπαταρίας

- Φορτίζετε την κασέτα μπαταριών πριν από την πλήρη αποφόρτισή της. Πάντοτε να σταματάτε τη λειτουργία του εργαλείου και να φορτίζετε την κασέτα μπαταριών όταν παρατηρείτε μειωμένη ισχύ εργαλείου.
- Ποτέ μην επαναφορτίζετε μια πλήρως φορτισμένη κασέτα μπαταριών. Η υπερφόρτιση μειώνει την ωφέλιμη ζωή της μπαταρίας.
- Να φορτίζετε την κασέτα μπαταριών σε θερμοκρασία δωματίου, δηλαδή στους 10 °C έως 40 °C. Αφήστε μια θερμή κασέτα μπαταριών να κρυώσει πριν την φορτίσετε.
- Όταν δεν χρησιμοποιείτε την κασέτα μπαταριών, αφαιρέστε την από το εργαλείο ή τον φορτιστή.
- Να φορτίζετε την κασέτα μπαταριών εάν δεν τη χρησιμοποιείτε για μεγάλη χρονική περίοδο (περισσότερο από έξι μήνες).

Σημαντικές οδηγίες ασφάλειας για την ασύρματη μονάδα

- Μην αποσυναρμολογείτε ή παραβιάζετε την ασύρματη μονάδα.
- Διατηρείτε την ασύρματη μονάδα μακριά από μικρά παιδιά. Αν καταποθεί κατά λάθος, αναζητήστε αμέσως ιατρική βοήθεια.
- Να χρησιμοποιείτε την ασύρματη μονάδα μόνο με εργαλεία της Makita.
- Μην εκθέτε την ασύρματη μονάδα στη βροχιά ή σε υγρές συνθήκες.
- Μη χρησιμοποιείτε την ασύρματη μονάδα σε μέρη όπου η θερμοκρασία ξεπερνάει τους 50 °C.
- Μη θέτετε την ασύρματη μονάδα σε λειτουργία σε μέρη όπου υπάρχουν ιατρικά όργανα, όπως καρδιακοί βηματοδότες.
- Μη θέτετε την ασύρματη μονάδα σε λειτουργία σε μέρη όπου υπάρχουν αυτοματοποιημένες διατάξεις. Αν τεθούν σε λειτουργία, οι αυτοματοποιημένες συσκευές μπορεί να εμφανίσουν δυσλειτουργία ή σφάλμα.
- Μη θέτετε σε λειτουργία την ασύρματη μονάδα σε μέρη με υψηλή θερμοκρασία ή σε μέρη όπου μπορεί να παραχθεί στατικός ηλεκτρισμός ή ηλεκτρικός θόρυβος.
- Η ασύρματη μονάδα μπορεί να παράγει ηλεκτρομαγνητικά πεδία (ΗΜΠ) αλλά δεν είναι επιβλαβή για τον χρήστη.

10. Η ασύρματη μονάδα είναι ένα όργανο ακριβείας. Προσέχετε να μη ρίξετε κάτω ή να χτυπήσετε την ασύρματη μονάδα.
11. Αποφύγετε να αγγίζετε τον ακροδέκτη της ασύρματης μονάδας με γυμνά χέρια ή μεταλλικά υλικά.
12. Αφαιρείτε πάντοτε την μπαταρία από το προϊόν όταν τοποθετείτε σε αυτό την ασύρματη μονάδα.
13. Όταν ανοίγετε το καπάκι της σχισμής, αποφύγετε μέρη όπου μπορεί να εισέλθει σκόνη και νερό μέσα στη σχισμή. Να διατηρείτε πάντα καθαρή την είσοδο της σχισμής.
14. Να φορτώνετε πάντα την ασύρματη μονάδα με τη σωστή κατεύθυνση.
15. Μην πατήσετε το κουμπί ασύρματης ενεργοποίησης στην ασύρματη μονάδα πολύ δυνατά ή/και μην πατήσετε το κουμπί με ένα αντικείμενο με αιχμηρό άκρο.
16. Κατά τη λειτουργία, να κλείνετε πάντα το καπάκι της σχισμής.
17. Μην αφαιρείτε την ασύρματη μονάδα από τη σχισμή ενώ παρέχεται ισχύς στο εργαλείο. Αν το κάνετε αυτό, μπορεί να προκληθεί δυσλειτουργία της ασύρματης μονάδας.
18. Μην αφαιρείτε το αυτοκόλλητο στην ασύρματη μονάδα.
19. Μην τοποθετείτε αυτοκόλλητα επάνω στην ασύρματη μονάδα.
20. Μην αφήνετε την ασύρματη μονάδα σε ένα μέρος όπου μπορεί να παραχθεί στατικός ηλεκτρισμός ή ηλεκτρικός θόρυβος.
21. Μην αφήνετε την ασύρματη μονάδα σε ένα μέρος που υπόκειται σε υψηλή θερμότητα, όπως ένα αυτοκίνητο στον ήλιο.
22. Μην αφήνετε την ασύρματη μονάδα σε ένα μέρος με πολλή σκόνη ή πούδρα ή σε ένα μέρος όπου μπορεί να παραχθεί διαβρωτικό αέριο.
23. Η απότομη αλλαγή της θερμοκρασίας μπορεί να υγραίνει την ασύρματη μονάδα. Μη χρησιμοποιείτε την ασύρματη μονάδα μέχρι να στεγνώσει εντελώς όλη η υγρασία.
24. Όταν καθαρίζετε την ασύρματη μονάδα, σκουπίστε απαλά με ένα στεγνό μαλακό πανί. Μη χρησιμοποιείτε βενζίνη, νέφτι, αγώγιμο γράσο ή παρόμοιες ουσίες.
25. Όταν αποθηκεύετε την ασύρματη μονάδα, να τη διατηρείτε μέσα στην παρεχόμενη θήκη ή μέσα σε δοχείο χωρίς στατικό ηλεκτρισμό.
26. Μην εισαγάγετε καμία συσκευή διαφορετική από την ασύρματη μονάδα Makita μέσα στη σχισμή στο εργαλείο.
27. Μη χρησιμοποιείτε το εργαλείο αν το καπάκι της σχισμής είναι κατεστραμμένο. Αν εισέλθει νερό, σκόνη και βρομιά μέσα στη σχισμή, μπορεί να προκληθεί δυσλειτουργία.
28. Μην τραβάτε ή/και μη συστρέψετε το καπάκι της σχισμής περισσότερο από ό,τι απαιτείται. Τοποθετήστε ξανά το καπάκι αν βγει από το εργαλείο.
29. Αντικαταστήστε ξανά το καπάκι της σχισμής αν χαθεί ή καταστραφεί.

ΦΥΛΑΞΕΤΕ ΑΥΤΕΣ ΤΙΣ ΟΔΗΓΙΕΣ.

ΠΕΡΙΓΡΑΦΗ ΛΕΙΤΟΥΡΓΙΑΣ

▲ΠΡΟΣΟΧΗ: Να φροντίζετε πάντα για την απενεργοποίηση του εργαλείου και την αφαίρεση της κασέτας μπαταρίας, πριν από οποιαδήποτε ρύθμιση ή έλεγχο της λειτουργίας του.

Τοποθέτηση ή αφαίρεση της κασέτας μπαταριών

▲ΠΡΟΣΟΧΗ: Να σβήνετε πάντα το εργαλείο πριν τοποθετήσετε ή αφαιρέσετε την κασέτα μπαταριών.

▲ΠΡΟΣΟΧΗ: Κρατήστε το εργαλείο και την κασέτα μπαταριών σταθερά κατά την τοποθέτηση ή αφαίρεση της κασέτας μπαταριών. Εάν δεν κρατάτε το εργαλείο και την κασέτα μπαταριών σταθερά μπορεί να γλιστρήσουν από τα χέρια σας και να προκληθεί βλάβη στο εργαλείο και την κασέτα μπαταριών και προσωπικός τραυματισμός.

► **Εικ. 1:** 1. Κόκκινος δείκτης 2. Κουμπί 3. Κασέτα μπαταριών

Για να αφαιρέσετε την κασέτα μπαταριών, ολισθήστε την από το εργαλείο ενώ σύρετε το κουμπί στο μπροστινό μέρος της κασέτας.

Για να τοποθετήσετε την κασέτα μπαταριών, ευθυγραμμίστε τη γλώσσα στην κασέτα μπαταριών με την εγκοπή στο περίβλημα και ολισθήστε τη στη θέση της. Τοποθετήστε τη μέχρι τέρμα μέχρι να ασφαλίσει στη θέση της, γεγονός που υποδεικνύεται με ένα χαρακτηριστικό ήχο. Αν μπορείτε να δείτε τον κόκκινο δείκτη όπως απεικονίζεται στην εικόνα, δεν έχει κλειδώσει τελείως.

▲ΠΡΟΣΟΧΗ: Να τοποθετείτε πάντα την κασέτα μπαταριών πλήρως μέχρι να μη βλέπετε τον κόκκινο δείκτη. Εάν δεν ασφαλίσει, μπορεί να πέσει από το εργαλείο τυχαία, προκαλώντας σωματική βλάβη σε εσάς ή κάποιον άλλο γύρω σας.

▲ΠΡΟΣΟΧΗ: Μην τοποθετείτε την κασέτα μπαταριών με βία. Εάν η κασέτα δεν ολισθαίνει με ευκολία, τότε δεν έχει τοποθετηθεί κατάλληλα.

Εμφάνιση υπολειπόμενης χωρητικότητας μπαταρίας

Μόνο για κασέτες μπαταρίας με την ενδεικτική λυχνία

► **Εικ. 2:** 1. Ενδεικτικές λυχνίες 2. Κουμπί ελέγχου

Πιέστε το κουμπί ελέγχου στην κασέτα μπαταριών για να υποδείξετε την υπολειπόμενη χωρητικότητα μπαταρίας. Οι ενδεικτικές λυχνίες ανάβουν για λίγα δευτερόλεπτα.

| Ενδεικτικές λυχνίες | | | Υπολει- πόμενη χωρητικότητα |
|---------------------|---------|-------------------|---|
| Αναμμένες | Σβηστές | Αναβο- σβήνουν | |
| ■ | □ | ▧ | 75% έως 100% |
| ■ | ■ | ■ | |
| ■ | ■ | □ | |
| ■ | □ | □ | |
| ▧ | □ | □ | |
| ■ | □ | □ | |
| ■ | ■ | □ | 50% έως 75% |
| ■ | ■ | □ | |
| ■ | □ | □ | 25% έως 50% |
| ■ | □ | □ | |
| ■ | □ | □ | 0% έως 25% |
| ■ | □ | □ | |
| ▧ | □ | □ | Φορτίστε την μπαταρία. |
| ■ | ■ | □ | Μπορεί να προέκυψε δυσλειτουργία στην μπαταρία. |
| □ | □ | ■ | |

ΠΑΡΑΤΗΡΗΣΗ: Ανάλογα με τις συνθήκες χρήσης και τη θερμοκρασία περιβάλλοντος, η ένδειξη μπορεί να διαφέρει λίγο από την πραγματική χωρητικότητα.

ΠΑΡΑΤΗΡΗΣΗ: Η πρώτη (τέρμα αριστερά) ενδεικτική λυχνία θα αναβοσβήνει όταν λειτουργεί το σύστημα προστασίας μπαταρίας.

Σύστημα προστασίας εργαλείου/ μπαταρίας

Το εργαλείο είναι εξοπλισμένο με σύστημα προστασίας εργαλείου/μπαταρίας. Αυτό το σύστημα αποκόπτει αυτόματα την ισχύ προς το μοτέρ για να παραταθεί η διάρκεια λειτουργίας του εργαλείου και της μπαταρίας. Το εργαλείο σταματάει αυτόματα κατά τη διάρκεια της λειτουργίας εάν το εργαλείο ή η μπαταρία βρεθούν κάτω από τις παρακάτω συνθήκες:

Προστασία υπερφόρτωσης

Αν χειριστείτε το εργαλείο ή την μπαταρία με τρόπο που να τραβά αφύσικα υψηλό ρεύμα, το εργαλείο θα σταματήσει αυτόματα χωρίς προειδοποίηση. Σε αυτήν την περίπτωση, απενεργοποιήστε το εργαλείο και διακόψτε την εργασία που προκάλεσε την υπερφόρτωση του εργαλείου. Στη συνέχεια, ενεργοποιήστε το εργαλείο για να ξεκινήσει και πάλι.

Προστασία υπερθέρμανσης

Σε περίπτωση υπερθέρμανσης του εργαλείου ή της μπαταρίας, το εργαλείο σταματά αυτόματα. Σε αυτήν την περίπτωση, αφήστε το εργαλείο και την μπαταρία να κρυώσουν πριν ενεργοποιήσετε ξανά το εργαλείο.

Προστασία υπερβολικής αποφόρτισης

Όταν η φόρτιση μπαταρίας δεν είναι αρκετή, το εργαλείο σταματάει αυτόματα. Σε αυτή την περίπτωση, βγάλτε την μπαταρία από το εργαλείο και φορτίστε την μπαταρία.

Δράση διακόπτη

▲ΠΡΟΣΟΧΗ: Αποφεύγετε να ενεργοποιείτε το εργαλείο ενώ είναι τοποθετημένο επάνω στο τεμάχιο εργασίας ή επάνω στον πάγκο σας. Μπορεί να προκληθεί προσωπικός τραυματισμός ή ζημιά.

Ενεργοποίηση και απενεργοποίηση του εργαλείου

Πατήστε το κουμπί λειτουργίας/επιλογής ταχύτητας στο πάνω μέρος της κύριας λαβής για να ξεκινήσετε το εργαλείο. Το εργαλείο ξεκινάει να λειτουργεί στην υψηλότερη περιστροφική ταχύτητα.

Πατήστε το κουμπί διακοπής για παύση ή διακοπή της λειτουργίας.

- **Εικ.3:** 1. Κουμπί λειτουργίας/επιλογής ταχύτητας
2. Κουμπί διακοπής 3. Κύρια λαβή

Αλλαγή της ταχύτητας εργαλείου

Μπορείτε να αλλάξετε την περιστροφική ταχύτητα σε τρεις τρόπους λειτουργίας, δηλαδή υψηλή, μεσαία και χαμηλή, ανάλογα με την εφαρμογή και το φόρτο εργασίας.

Πατήστε το κουμπί λειτουργίας/επιλογής ταχύτητας για να αλλάξετε τον τρόπο λειτουργίας ταχύτητας.

- **Εικ.4:** 1. Κουμπί λειτουργίας/επιλογής ταχύτητας

Πίνακας ρυθμίσεων ταχύτητας

| Επίπεδο ταχύτητας | Περιστροφές ανά λεπτό |
|-------------------|--------------------------|
| 3 (Υψηλές) | 12.000 min ⁻¹ |
| 2 (Μεσαίες) | 8.000 min ⁻¹ |
| 1 (Χαμηλές) | 4.000 min ⁻¹ |

ΕΙΔΟΠΟΙΗΣΗ: Αν το εργαλείο λειτουργεί συνεχόμενα σε χαμηλές ταχύτητες για μεγάλο χρονικό διάστημα, το μοτέρ θα υπερφορτωθεί και θα προκαλέσει δυσλειτουργία του εργαλείου.

ΕΙΔΟΠΟΙΗΣΗ: Επιλέξτε ένα κατάλληλο εύρος ταχύτητας για τις εργασίες λείανσής σας, ώστε να αποφύγετε την υπερθέρμανση και το λιώσιμο του τεμαχίου εργασίας. Η λείανση με υψηλή περιστροφική ταχύτητα μπορεί να θερμάνει το τεμάχιο εργασίας και να το λιώσει στο σημείο επαφής.

Ηλεκτρονική λειτουργία

Το εργαλείο είναι εξοπλισμένο με την ηλεκτρονική λειτουργία για εύκολη λειτουργία.

Έλεγχος σταθερής ταχύτητας

Η δυνατότητα αυτή παρέχει μια σταθερή περιστροφική ταχύτητα για να ληφθεί ένα λεπτό τελείωμα.

ΣΥΝΑΡΜΟΛΟΓΗΣΗ

▲ΠΡΟΣΟΧΗ: Να βεβαιώνετε πάντα ότι το εργαλείο είναι σβηστό και η κασέτα μπαταρίας έχει αφαιρεθεί πριν εκτελέσετε κάποια εργασία στο εργαλείο.

Τοποθέτηση και αφαίρεση λειαντικού χαρτιού

▲ΠΡΟΣΟΧΗ: Να βεβαιώνετε πάντα ότι έχει τοποθετηθεί με ασφάλεια ένα φύλλο λειαντικού χαρτιού πριν από τη χρήση. Διαφορετικά, το χαρτί μπορεί να χαλαρώσει, να αφαιρεθεί εύκολα και να γλιστράει, με αποτέλεσμα ανομοιόμορφη λειτουργία λείανσης.

Χρήση του λειαντικού χαρτιού που παρέχεται με το εργαλείο

1. Πατήστε παρατεταμένα τον μοχλό συγκράτησης είτε στο μπροστινό είτε στο πίσω άκρο του πέλματος, και σύρετέ το μακριά από τον αναστολέα ώστε ο σφινγκτήρας να αποδεσμευτεί από τη στερεωμένη θέση.
2. Τραβήξτε τον μοχλό συγκράτησης προς τα έξω μέχρι τέρμα, για να δημιουργήσετε έναν χώρο μεταξύ του σφινγκτήρα και του πλαινίου τοιχώματος της βάσης λείανσης, στο ένα άκρο της οποίας μπορεί να εισαχθεί το λειαντικό χαρτί.
▶ **Εικ.5:** 1. Μοχλός συγκράτησης 2. Αναστολέας 3. Σφινγκτήρας 4. Βάση λείανσης 5. Πέλμα
3. Τοποθετήστε ένα φύλλο λειαντικού χαρτιού πάνω από το πέλμα, ευθυγραμμίζοντας τις οπές αναρρόφησης σκόνης στο χαρτί με αυτές στο πέλμα.
▶ **Εικ.6:** 1. Λειαντικό χαρτί 2. Πέλμα 3. Οπή αναρρόφησης σκόνης
4. Σύρετε το ένα άκρο του λειαντικού χαρτιού στον χώρο μεταξύ του σφινγκτήρα και της βάσης λείανσης.
5. Θέστε τον μοχλό συγκράτησης ξανά σε μια κλειδωμένη θέση, ώστε το άκρο του λειαντικού χαρτιού να έχει συσφιχθεί με ασφάλεια.
6. Αποδεσμεύστε τον σφινγκτήρα στο άλλο άκρο και ετοιμάστε το άλλο άκρο του λειαντικού χαρτιού για σύσφιξη.
7. Διατηρήστε σωστό τέντωμα του λειαντικού χαρτιού και, στη συνέχεια, θέστε τον μοχλό συγκράτησης στο άλλο άκρο στην κλειδωμένη θέση.
▶ **Εικ.7:** 1. Λειαντικό χαρτί 2. Σφινγκτήρας 3. Βάση λείανσης 4. Μοχλός συγκράτησης 5. Αναστολέας
8. Για να αφαιρέσετε το λειαντικό χαρτί, αποδεσμεύστε τους σφινγκτήρες και στα δύο άκρα και βγάλτε το χαρτί από το πέλμα.

Χρήση εμπορικά διαθέσιμου λειαντικού χαρτιού

1. Κόψτε ένα φύλλο λειαντικού χαρτιού στο κατάλληλο μέγεθος.
▶ **Εικ.8:** 1. Λειαντικό χαρτί 2. Πέλμα
2. Πατήστε παρατεταμένα τον μοχλό συγκράτησης είτε στο μπροστινό είτε στο πίσω άκρο του πέλματος, και σύρετέ το μακριά από τον αναστολέα ώστε ο σφινγκτήρας να αποδεσμευτεί από τη στερεωμένη θέση.

3. Τραβήξτε τον μοχλό συγκράτησης προς τα έξω μέχρι τέρμα, για να δημιουργήσετε έναν χώρο μεταξύ του σφινγκτήρα και του πλαινίου τοιχώματος της βάσης λείανσης, στο ένα άκρο της οποίας μπορεί να εισαχθεί το λειαντικό χαρτί.
4. Σύρετε το ένα άκρο του λειαντικού χαρτιού στον χώρο μεταξύ του σφινγκτήρα και της βάσης λείανσης.
5. Επανατοποθετήστε το λειαντικό χαρτί ώστε να καλύπτει σωστά την επιφάνεια του πέλματος.
6. Θέστε τον μοχλό συγκράτησης ξανά σε μια κλειδωμένη θέση, για να συσφίξετε το άκρο του λειαντικού χαρτιού με ασφάλεια.
7. Αποδεσμεύστε τον σφινγκτήρα στο άλλο άκρο και ετοιμάστε το άλλο άκρο του λειαντικού χαρτιού για σύσφιξη.
8. Διατηρήστε σωστό τέντωμα του λειαντικού χαρτιού και, στη συνέχεια, θέστε τον μοχλό συγκράτησης στο άλλο άκρο στην κλειδωμένη θέση.
▶ **Εικ.9:** 1. Λειαντικό χαρτί 2. Σφινγκτήρας 3. Βάση λείανσης 4. Μοχλός συγκράτησης 5. Αναστολέας
9. Καλύψτε το λειαντικό χαρτί με την πλάκα διάνοιξης οπών, με τους αναστολείς τοποθέτησης που βρίσκονται παρακείμενα στη γωνία να ταιριάζουν καλά με δύο από τα πλαινιά άκρα του πέλματος και βάσης λείανσης.
▶ **Εικ.10:** 1. Λειαντικό χαρτί 2. Πλάκα διάνοιξης οπών 3. Αναστολείς τοποθέτησης 4. Πέλμα 5. Βάση λείανσης

10. Σπρώξτε την πλάκα διάνοιξης οπών πάνω από το λειαντικό χαρτί για να δημιουργήσετε τις οπές αναρρόφησης σκόνης.
11. Για να αφαιρέσετε το λειαντικό χαρτί, αποδεσμεύστε τους σφινγκτήρες και στα δύο άκρα και βγάλτε το χαρτί από το πέλμα.

Χρήση λειαντικού χαρτιού με άγκιστρο και βρόχο

Προαιρετικό αξεσουάρ

▲ΠΡΟΣΟΧΗ: Βεβαιωθείτε να τοποθετήσετε το πέλμα με άγκιστρο και βρόχο με σωστό και ασφαλές τρόπο. Ένα χαλαρό εξάρτημα θα παρουσιάσει υποβαθμισμένη ζυγοστάθμιση και θα προκαλέσει υπερβολικούς κραδασμούς με αποτέλεσμα την απώλεια ελέγχου.

▲ΠΡΟΣΟΧΗ: Βεβαιωθείτε ότι το πέλμα και λειαντικό χαρτί με άγκιστρο και βρόχο είναι ευθυγραμμισμένα και στερεωμένα με ασφάλεια.

▲ΠΡΟΣΟΧΗ: Να χρησιμοποιείτε μόνο λειαντικά χαρτιά με άγκιστρο και βρόχο. Μη χρησιμοποιήσετε ποτέ λειαντικά χαρτιά που είναι ευαίσθητα στην πίεση.

1. Χαλαρώστε και αφαιρέστε τις τέσσερις βίδες που ασφαλίζουν το πέλμα στη βάση λείανσης.
2. Αντικαταστήστε το στάνταρ πέλμα που παρέχεται με ένα προαιρετικό πέλμα με άγκιστρο και βρόχο.
3. Σφίξτε ξανά και καλά τις βίδες για να ασφαλίσετε το πέλμα με άγκιστρο και βρόχο.
▶ **Εικ.11:** 1. Βίδες 2. Βάση λείανσης 3. Πέλμα
4. Αφαιρέστε όλη τη βρομιά και ξένο υλικό από το πέλμα με άγκιστρο και βρόχο.

5. Προσαρτήστε ένα φύλλο προαιρετικού λειαντικού χαρτιού με άγκιστρο και βρόχο στο πέλμα, ευθυγραμμίζοντας τις οπές αναρρόφησης σκόνης στο χαρτί με αυτές στο πέλμα.

► **Εικ. 12:** 1. Λειαντικό χαρτί 2. Πέλμα 3. Οπές αναρρόφησης σκόνης

6. Για να αφαιρέσετε το λειαντικό χαρτί, ξεκολλήστε το από το άκρο.

ΠΡΟΣΟΧΗ: Ο στρογγυλός δακτύλιος μπορεί να βγει από τη βάση λείανσης ενώ αντικαθιστάτε το πέλμα. Θέστε τον στρογγυλό δακτύλιο ξανά στις κυκλικές εγκοπές γύρω από το κέντρο της βάσης πριν τοποθετήσετε το προαιρετικό πέλμα.

► **Εικ. 13:** 1. Στρογγυλός δακτύλιος 2. Βάση λείανσης 3. Κυκλικές εγκοπές

Τοποθέτηση και αφαίρεση του σάκου συλλογής σκόνης

Προαιρετικό αξεσουάρ

Προσαρτήστε τον σάκο συλλογής σκόνης πάνω από το κωνικό στόμιο απαγωγής σκόνης στο πίσω μέρος του περιβλήματος μοτέρ. Τοποθετήστε την είσοδο σκόνης του σάκου στο στόμιο απαγωγής σκόνης μέχρι τέρμα, για να μην αποσυνδεθεί κατά τη διάρκεια της λειτουργίας.

► **Εικ. 14:** 1. Στόμιο απαγωγής σκόνης 2. Είσοδος σκόνης 3. Σάκος συλλογής σκόνης

ΠΑΡΑΤΗΡΗΣΗ: Βεβαιωθείτε να προσαρτήσετε τον σάκο συλλογής σκόνης με το φερμουάρ στραμμένο προς τα κάτω.

ΠΑΡΑΤΗΡΗΣΗ: Για να εξασφαλιστεί η βέλτιστη συλλογή σκόνης, αδειάστε τον σάκο συλλογής σκόνης όταν γεμίσει σχεδόν στη μισή χωρητικότητά της. Αφαιρέστε τον σάκο συλλογής σκόνης από το εργαλείο και τραβήξτε τον συνδετήρα προς τα έξω. Στη συνέχεια, ανακινήστε απαλά ή κτυπήστε τον σάκο συλλογής σκόνης για να τον αδειάσετε.

Τοποθέτηση και αφαίρεση του κουτιού συλλογής σκόνης

Προαιρετικό αξεσουάρ

Προσαρτήστε το κουτί συλλογής σκόνης πάνω από το κωνικό στόμιο απαγωγής σκόνης στο πίσω μέρος του περιβλήματος μοτέρ. Τοποθετήστε το ακροφύσιο σκόνης στο στόμιο απαγωγής σκόνης μέχρι τέρμα, για να μην αποσυνδεθεί κατά τη διάρκεια της λειτουργίας.

► **Εικ. 15:** 1. Στόμιο απαγωγής σκόνης 2. Ακροφύσιο σκόνης 3. Κουτί συλλογής σκόνης

ΠΑΡΑΤΗΡΗΣΗ: Για να εξασφαλιστεί η βέλτιστη συλλογή σκόνης, αδειάστε το κουτί συλλογής σκόνης όταν γεμίσει σχεδόν στη μισή χωρητικότητά της.

1. Αφαιρέστε το κουτί συλλογής σκόνης από το εργαλείο.
2. Αποδεσμεύστε το ακροφύσιο σκόνης από το κουτί ενώ πατάτε παρατεταμένα τα μάνδαλα κλειδώματος και στις δύο πλευρές του κουτιού.
3. Ανακινήστε απαλά ή κτυπήστε το κουτί συλλογής σκόνης για να το αδειάσετε.

Αντικατάσταση φίλτρου

ΕΙΔΟΠΟΙΗΣΗ: Προσέχετε ώστε να ευθυγραμμίσετε τα λογότυπα στο κουτί συλλογής σκόνης, το φίλτρο και το ακροφύσιο σκόνης με συνεπή προσανατολισμό όταν συναρμολογείτε ξανά τα εξαρτήματα.

1. Αφαιρέστε το κουτί συλλογής σκόνης από το εργαλείο.

2. Αποδεσμεύστε το ακροφύσιο σκόνης από το κουτί ενώ πατάτε παρατεταμένα τα μάνδαλα κλειδώματος και στις δύο πλευρές του κουτιού.

► **Εικ. 16:** 1. Ακροφύσιο σκόνης 2. Κουτί συλλογής σκόνης 3. Μάνδαλο κλειδώματος

3. Κρατήστε το εσωτερικό άνω άκρο του ανοίγματος χαρτονίου και τραβήξτε και βγάλετε το προς τα κάτω, για να αποδεσμεύσετε το εξωτερικό άνω άκρο του ανοίγματος χαρτονιού από την άνω γλωττίδα αγκύρωσης στο χείλος του κουτιού συλλογής σκόνης.

4. Βγάλτε το φίλτρο από το κουτί συλλογής σκόνης ενώ τραβάτε το εξωτερικό κάτω άκρο του ανοίγματος χαρτονιού από την κάτω γλωττίδα αγκύρωσης.

► **Εικ. 17:** 1. Φίλτρο 2. Ανοιγμα χαρτονιού 3. Άνω γλωττίδα αγκύρωσης 4. Κάτω γλωττίδα αγκύρωσης 5. Κουτί συλλογής σκόνης

5. Αντικαταστήστε το φίλτρο δεσμεύοντας το κάτω άκρο του ανοίγματος χαρτονιού στη κάτω γλωττίδα αγκύρωσης και σπρώξτε το άνω άκρο προς τα μέσα μέχρι να ασφαλίσει στην άνω γλωττίδα αγκύρωσης.

► **Εικ. 18:** 1. Φίλτρο 2. Ανοιγμα χαρτονιού 3. Άνω γλωττίδα αγκύρωσης 4. Κάτω γλωττίδα αγκύρωσης 5. Κουτί συλλογής σκόνης

6. Ασφαλίστε το ακροφύσιο σκόνης στη θέση του ενώ πατάτε παρατεταμένα τα μάνδαλα κλειδώματος και στις δύο πλευρές του κουτιού συλλογής σκόνης.

► **Εικ. 19:** 1. Ακροφύσιο σκόνης 2. Κουτί συλλογής σκόνης 3. Μάνδαλο κλειδώματος

Τοποθέτηση και αφαίρεση μπροστινής χειρολαβής

Τοποθέτηση

Τοποθετήστε την μπροστινή χειρολαβή στο εργαλείο πριν τη λειτουργία, αν περιλαμβάνονται στη συσκευασία ξεχωριστά. Εισαγάγετε το άκρο της μπροστινής χειρολαβής στην υποδοχή στο περίβλημα μοτέρ, ευθυγραμμίζοντας τα περιγράμματα του άκρου χειρολαβής με αυτά της υποδοχής. Σπρώξτε παρατεταμένα και σταθερά την μπροστινή χειρολαβή προς το περίβλημα και περιστρέψτε την κατά 90 μοίρες με την επιφάνεια χειρολαβής να είναι στραμμένη προς τα πάνω.

► **Εικ. 20:** 1. Μπροστινή χειρολαβή 2. Υποδοχή 3. Περιβλήμα μοτέρ 4. Επιφάνεια χειρολαβής

ΠΡΟΣΟΧΗ: Μετά τη συναρμολόγηση, τραβήξτε την μπροστινή χειρολαβή για να ελέγξετε αν είναι προσαρτημένη με ασφάλεια.

ΕΙΔΟΠΟΙΗΣΗ: Βεβαιωθείτε να σπρώξετε εντελώς την μπροστινή χειρολαβή μέσα στο άκρο υποδοχής και να τη διατηρείτε τοποθετημένη στη θέση της ενώ περιστρέφετε την μπροστινή χειρολαβή. Αν δεν το κάνετε αυτό, μπορεί να προκληθεί ζημιά στο εργαλείο.

Αφαίρεση

Αν αφαιρέσετε την αποσπώμενη μπροστινή χειρολαβή, η λείανση σε στενές, περιορισμένες και δυσπρόσιτες περιοχές μπορεί να γίνει αποτελεσματικά.

Πατήστε παρατεταμένα και σταθερά την μπροστινή χειρολαβή προς το περιβλήμα μοτέρ και περιστρέψτε την 90 μοίρες προς τα αριστερά ή προς τα δεξιά. Στη συνέχεια, τραβήξτε και βγάλτε την από το εργαλείο.

Σύνδεση με ηλεκτρική σκούπα

Προαιρετικό αξεσουάρ

Όταν θέλετε να εκτελέσετε καθαρή λείανση, συνδέστε μια ηλεκτρική σκούπα της Makita στο εργαλείο σας. Χρησιμοποιήστε είτε έναν προαιρετικό εύκαμπτο σωλήνα 28 mm ή έναν συνδυασμό μπροστινών συνδέσμων 22 και τον εύκαμπτο σωλήνα που παρέχεται με τη σκούπα για τη σύνδεση.

► **Εικ.21:** 1. Στόμιο απαγωγής σκόνης 2. Μπροστινά στόμια 3. Εύκαμπτος σωλήνας 4. Ηλεκτρική σκούπα

Τοποθέτηση και αφαίρεση του προστατευτικού μπαταρίας

Προαιρετικό αξεσουάρ

Το προστατευτικό μπαταρίας προορίζεται για την προστασία του τεμαχίου εργασίας και της μπαταρίας.

► **Εικ.22:** 1. Προστατευτικό μπαταρίας

▲ΠΡΟΣΟΧΗ: Μην κρατάτε ποτέ με τα χέρια το προστατευτικό μπαταρίας όταν μεταφέρετε το εργαλείο από τη μία περιοχή στην άλλη ή όταν κρατάτε το εργαλείο ενώ δεν το χρησιμοποιείτε.

ΠΑΡΑΤΗΡΗΣΗ: Το προστατευτικό μπαταρίας δεν μπορεί να χρησιμοποιηθεί με τις λεπτές μπαταρίες, όπως τις BL1815N και BL1820B.

Για να τοποθετήσετε το προστατευτικό μπαταρίας, ακολουθήστε τα παρακάτω βήματα.

1. Εισαγάγετε την μπαταρία μέσα στο προστατευτικό μπαταρίας όπως απεικονίζεται στην εικόνα.

► **Εικ.23**

2. Σπρώξτε την μπαταρία στο προστατευτικό μπαταρίας ώστε οι προεξοχές στο προστατευτικό μπαταρίας να ταιριάζουν με τις οπές στην μπαταρία.

► **Εικ.24:** 1. Οπή 2. Προεξοχή

3. Βεβαιωθείτε ότι οι τέσσερις γωνίες είναι σταθερά ακιςτρωμένες με το προστατευτικό μπαταρίας.

► **Εικ.25**

Για να αφαιρέσετε το προστατευτικό μπαταρίας, απεκκιστρώστε τις τέσσερις γωνίες και τραβήξτε αργά την μπαταρία προς τα έξω από το προστατευτικό μπαταρίας, με τρόπο ώστε οι προεξοχές να βγουν από τις οπές στην μπαταρία. Ενώ τραβάτε την μπαταρία, να κρατάτε καλά την μπαταρία και το προστατευτικό μπαταρίας.

ΛΕΙΤΟΥΡΓΙΑ

Λειτουργία λείανσης

▲ΠΡΟΣΟΧΗ: Μη θέτετε ποτέ το εργαλείο σε λειτουργία χωρίς το λειαντικό χαρτί. Μπορεί να προκαλέσετε σοβαρή ζημιά στο πέλμα.

▲ΠΡΟΣΟΧΗ: Μη ζορίζετε ποτέ το εργαλείο. Η υπερβολική πίεση μπορεί να μειώσει την αποδοτικότητα της λείανσης, να καταστρέψει το λειαντικό χαρτί ή/και να μειώσει τη διάρκεια ζωής του εργαλείου.

Λείανση ανοιχτών περιοχών

1. Κρατάτε το εργαλείο σταθερά και με τα δύο χέρια σας, με το ένα χέρι στη λαβή και το άλλο χέρι στην μπροστινή χειρολαβή.
2. Ενεργοποιήστε το εργαλείο και περιμένετε έως ότου αποκτήσει την πλήρη ταχύτητά του.
3. Τοποθετήστε απαλά το εργαλείο στην επιφάνεια του τεμαχίου εργασίας.
4. Διατηρήστε ολόκληρο το πέλμα ισόπεδα και ομοιόμορφα με την επιφάνεια και εφαρμόστε λίγη πίεση στο εργαλείο.

► **Εικ.26**

Λείανση περιορισμένων περιοχών

1. Αποσυνδέστε την μπροστινή χειρολαβή από το εργαλείο.
2. Κρατήστε τη λαβή με το ένα χέρι.
3. Ενεργοποιήστε το εργαλείο και περιμένετε έως ότου αποκτήσει την πλήρη ταχύτητά του.
4. Τοποθετήστε απαλά το εργαλείο στην επιφάνεια του τεμαχίου εργασίας.
5. Διατηρήστε ολόκληρο το πέλμα ισόπεδα και ομοιόμορφα με την επιφάνεια και εφαρμόστε λίγη πίεση στο εργαλείο.
6. Μετακινήστε το εργαλείο κατά μήκος των καμπύλων, προσώπων τοίχους και σε άλλους περιορισμένους χώρους, λειανώντας με τα μπροστινά και γωνιακά άκρα του πέλματος όπως απαιτείται.

► **Εικ.27**

ΛΕΙΤΟΥΡΓΙΑ ΑΣΥΡΜΑΤΗΣ ΕΝΕΡΓΟΠΟΙΗΣΗΣ

Για το μοντέλο **DB0381** μόνο

ΕΙΔΟΠΟΙΗΣΗ: Η ασύρματη λειτουργία διατίθεται μόνο όταν η υποστηριζόμενη ηλεκτρική σκούπα είναι τοποθετημένη.

Τι μπορείτε να κάνετε με τη λειτουργία ασύρματης ενεργοποίησης

Η λειτουργία ασύρματης ενεργοποίησης επιτρέπει την καθαρή και άνετη λειτουργία. Αν συνδέσετε μια υποστηριζόμενη ηλεκτρική σκούπα στο εργαλείο, μπορείτε να χρησιμοποιείτε την ηλεκτρική σκούπα αυτόματα μαζί με τη λειτουργία διακόπτη του εργαλείου.

► **Εικ.28**

Για να χρησιμοποιήσετε τη λειτουργία ασύρματης ενεργοποίησης, προετοιμάστε τα ακόλουθα στοιχεία:

- Μια ασύρματη μονάδα (προαιρετικό εξάρτημα)
- Ηλεκτρική σκούπα που υποστηρίζει τη λειτουργία ασύρματης ενεργοποίησης

Η σύνοψη της ρύθμισης λειτουργίας ασύρματης ενεργοποίησης είναι η εξής. Ανατρέξτε σε κάθε τμήμα για λεπτομερείς διαδικασίες.

1. Εγκατάσταση της ασύρματης μονάδας
2. Καταχώρηση εργαλείου για την ηλεκτρική σκούπα
3. Έναρξη της λειτουργίας ασύρματης ενεργοποίησης

Εγκατάσταση της ασύρματης μονάδας

Προαιρετικό εξάρτημα

▲ ΠΡΟΣΟΧΗ: Τοποθετήστε το εργαλείο σε μια επίπεδη και σταθερή επιφάνεια όταν εγκαθιστάτε την ασύρματη μονάδα.

ΕΙΔΟΠΟΙΗΣΗ: Καθαρίστε τη σκόνη και τη βρομιά στο εργαλείο πριν τοποθετήσετε την ασύρματη μονάδα. Η σκόνη ή η βρομιά μπορεί να προκαλέσει δυσλειτουργία αν έρθει σε επαφή με τη σχισμή της ασύρματης μονάδας.

ΕΙΔΟΠΟΙΗΣΗ: Για να αποτρέψετε τη δυσλειτουργία που προκαλείται από στατικό ηλεκτρισμό, αγγίξτε κάποιο υλικό στατικής εκκένωσης, όπως ένα μεταλλικό εξάρτημα του εργαλείου, πριν σηκώσετε την ασύρματη μονάδα.

ΕΙΔΟΠΟΙΗΣΗ: Όταν τοποθετείτε την ασύρματη μονάδα, να βεβαιώνετε πάντα ότι η ασύρματη μονάδα έχει εισαχθεί με τη σωστή κατεύθυνση και το καπάκι είναι εντελώς κλειστό.

1. Ανοίξτε το καπάκι στο εργαλείο όπως απεικονίζεται στην εικόνα.

► **Εικ.29:** 1. Καπάκι

2. Εισαγάγετε την ασύρματη μονάδα στη σχισμή και μετά κλείστε το καπάκι.

Όταν εισαγάγετε την ασύρματη μονάδα, ευθυγραμμίστε τις προεξοχές με τα βαθουλωτά τμήματα στη σχισμή.

► **Εικ.30:** 1. Ασύρματη μονάδα 2. Προεξοχή 3. Καπάκι 4. Βαθουλωτό τμήμα

Όταν αφαιρείτε την ασύρματη μονάδα, ανοίξτε το καπάκι αργά. Οι γάντζοι στο πίσω μέρος του κατακτιού θα σηκώσουν την ασύρματη μονάδα καθώς τραβάτε το καπάκι προς τα πάνω.

► **Εικ.31:** 1. Ασύρματη μονάδα 2. Γάντζος 3. Καπάκι

Αφού αφαιρέσετε την ασύρματη μονάδα, να τη διατηρείτε μέσα στην παρεχόμενη θήκη ή μέσα σε δοχείο χωρίς στατικό ηλεκτρισμό.

ΕΙΔΟΠΟΙΗΣΗ: Να χρησιμοποιείτε πάντα τους γάντζους στο πίσω μέρος του κατακτιού όταν αφαιρείτε την ασύρματη μονάδα. Αν οι γάντζοι δεν ασφαλίσουν την ασύρματη μονάδα, κλείστε εντελώς το καπάκι και ανοίξτε το ξανά αργά.

Καταχώρηση εργαλείου για την ηλεκτρική σκούπα

ΠΑΡΑΤΗΡΗΣΗ: Για την καταχώρηση εργαλείου, απαιτείται ηλεκτρική σκούπα Makita που υποστηρίζει τη λειτουργία ασύρματης ενεργοποίησης.

ΠΑΡΑΤΗΡΗΣΗ: Ολοκληρώστε την εγκατάσταση της ασύρματης μονάδας στο εργαλείο πριν ξεκινήσετε την καταχώρηση εργαλείου.

ΠΑΡΑΤΗΡΗΣΗ: Κατά την καταχώρηση εργαλείου, μην τραβήξετε τη σκανδάλη διακόπτη ούτε να ενεργοποιήσετε το διακόπτη λειτουργίας στην ηλεκτρική σκούπα.

ΠΑΡΑΤΗΡΗΣΗ: Ανατρέξτε και στο εγχειρίδιο οδηγιών της ηλεκτρικής σκούπας.

Αν επιθυμείτε να ενεργοποιήσετε την ηλεκτρική σκούπα μαζί με τη λειτουργία διακόπτη του εργαλείου, ολοκληρώστε εκ των προτέρων την καταχώρηση εργαλείου.

1. Τοποθετήστε τις μπαταρίες στην ηλεκτρική σκούπα και στο εργαλείο.

2. Θέστε τον διακόπτη αναμονής στην ηλεκτρική σκούπα στη θέση «ΑΥΤΟ».

► **Εικ.32:** 1. Διακόπτης αναμονής

3. Πατήστε το κουμπί ασύρματης ενεργοποίησης στην ηλεκτρική σκούπα για 3 δευτερόλεπτα μέχρι η λυχνία ασύρματης ενεργοποίησης αναβοσβήνει με πράσινο χρώμα. Και μετά πατήστε το κουμπί ασύρματης ενεργοποίησης στο εργαλείο με τον ίδιο τρόπο.

► **Εικ.33:** 1. Κουμπί ασύρματης ενεργοποίησης 2. Λυχνία ασύρματης ενεργοποίησης

Αν η ηλεκτρική σκούπα και το εργαλείο συνδεθούν με επιτυχία, οι λυχνίες ασύρματης ενεργοποίησης θα ανάψουν με πράσινο χρώμα για 2 δευτερόλεπτα και θα αρχίσουν να αναβοσβήνουν με μπλε χρώμα.

ΠΑΡΑΤΗΡΗΣΗ: Οι λυχνίες ασύρματης ενεργοποίησης θα αρχίσουν να αναβοσβήνουν με πράσινο χρώμα αφού περάσουν 20 δευτερόλεπτα. Πατήστε το κουμπί ασύρματης ενεργοποίησης στο εργαλείο ενώ η λυχνία ασύρματης ενεργοποίησης αναβοσβήνει στη σκούπα. Αν η λυχνία ασύρματης ενεργοποίησης δεν αναβοσβήνει με πράσινο χρώμα, πατήστε για λίγο το κουμπί ασύρματης ενεργοποίησης και κρατήστε το ξανά πατημένο.

ΠΑΡΑΤΗΡΗΣΗ: Όταν εκτελείτε δύο ή περισσότερες καταχωρήσεις εργαλείων για μία ηλεκτρική σκούπα, ολοκληρώστε την καταχώρηση εργαλείου ένα τη φορά.

Έναρξη της λειτουργίας ασύρματης ενεργοποίησης

ΠΑΡΑΤΗΡΗΣΗ: Ολοκληρώστε την καταχώρηση εργαλείου για την ηλεκτρική σκούπα πριν από την ασύρματη ενεργοποίηση.

ΠΑΡΑΤΗΡΗΣΗ: Ανατρέξτε και στο εγχειρίδιο οδηγιών της ηλεκτρικής σκούπας.

Αφού καταχωρήσετε ένα εργαλείο με την ηλεκτρική σκούπα, η ηλεκτρική σκούπα θα λειτουργεί αυτόματα μαζί με τη λειτουργία διακόπτη του εργαλείου.

1. Εγκαταστήστε την ασύρματη μονάδα στο εργαλείο.

2. Συνδέστε τον εύκαμπτο σωλήνα της ηλεκτρικής σκούπας με το εργαλείο.

► **Εικ.34**

3. Θέστε τον διακόπτη αναμονής στην ηλεκτρική σκούπα στη θέση «AUTO».

► **Εικ.35:** 1. Διακόπτης αναμονής

4. Πατήστε σύντομα το κουμπί ασύρματης ενεργοποίησης στο εργαλείο. Η λυχνία ασύρματης ενεργοποίησης θα αναβοσβήνει με μπλε χρώμα.

► **Εικ.36:** 1. Κουμπί ασύρματης ενεργοποίησης
2. Λυχνία ασύρματης ενεργοποίησης

5. Ενεργοποιήστε το εργαλείο. Ελέγξτε αν η ηλεκτρική σκούπα λειτουργεί ενώ το εργαλείο λειτουργεί.

Για να σταματήσετε την ασύρματη ενεργοποίηση της ηλεκτρικής σκούπας, πατήστε το κουμπί ασύρματης ενεργοποίησης στο εργαλείο.

ΠΑΡΑΤΗΡΗΣΗ: Η λυχνία ασύρματης ενεργοποίησης στο εργαλείο θα σταματήσει να αναβοσβήνει με μπλε χρώμα όταν δεν υπάρχει λειτουργία για 2 ώρες. Σε αυτή την περίπτωση, θέστε το διακόπτη αναμονής στην ηλεκτρική σκούπα στη θέση «AUTO» και πατήστε ξανά το κουμπί ασύρματης ενεργοποίησης στο εργαλείο.

ΠΑΡΑΤΗΡΗΣΗ: Η ηλεκτρική σκούπα αρχίζει/σταματάει με καθυστέρηση. Υπάρχει χρονική καθυστέρηση όταν η ηλεκτρική σκούπα ανιχνεύει τη λειτουργία διακόπτη του εργαλείου.










ΠΑΡΑΤΗΡΗΣΗ: Η απόσταση μετάδοσης της ασύρματης μονάδας μπορεί να ποικίλλει ανάλογα με την τοποθεσία και τις περιβάλλουσες συνθήκες.

ΠΑΡΑΤΗΡΗΣΗ: Όταν δύο ή περισσότερα εργαλεία καταχωρούνται σε μία ηλεκτρική σκούπα, η ηλεκτρική σκούπα μπορεί να αρχίσει να λειτουργεί ακόμη κι αν δεν ενεργοποιείτε το εργαλείο επειδή κάποιος άλλος χρήστης χρησιμοποιεί τη λειτουργία ασύρματης ενεργοποίησης.

Περιγραφή της κατάστασης της λυχνίας ασύρματης ενεργοποίησης

► **Εικ.37:** 1. Λυχνία ασύρματης ενεργοποίησης

Η λυχνία ασύρματης ενεργοποίησης δείχνει την κατάσταση της λειτουργίας ασύρματης ενεργοποίησης. Ανατρέξτε στον παρακάτω πίνακα για τη σημασία της κατάστασης λυχνίας.

| Κατάσταση | Λυχνία ασύρματης ενεργοποίησης | | | Περιγραφή |
|-------------------------------|--------------------------------|--|---|--|
| | Χρώμα |  Αναμμένη |  Αναβοσβήνει | |
| Αναμονή | Μπλε |  | 2 ώρες | Η ασύρματη ενεργοποίηση της ηλεκτρικής σκούπας είναι διαθέσιμη. Η λυχνία θα σβήσει αυτόματα όταν δεν εκτελεστεί καμία λειτουργία για 2 ώρες. |
| | |  | Όταν το εργαλείο λειτουργεί. | Η ασύρματη ενεργοποίηση της ηλεκτρικής σκούπας είναι διαθέσιμη και το εργαλείο λειτουργεί. |
| Καταχώρηση εργαλείου | Πράσινη |  | 20 δευτερόλεπτα | Έτοιμο για καταχώρηση εργαλείου. Σε αναμονή για καταχώρηση από την ηλεκτρική σκούπα. |
| | |  | 2 δευτερόλεπτα | Η καταχώρηση εργαλείου έχει ολοκληρωθεί. Η λυχνία ασύρματης ενεργοποίησης θα αρχίσει να αναβοσβήνει με μπλε χρώμα. |
| Ακύρωση καταχώρησης εργαλείου | Κόκκινη |  | 20 δευτερόλεπτα | Έτοιμο για ακύρωση της καταχώρησης εργαλείου. Σε αναμονή για ακύρωση από την ηλεκτρική σκούπα. |
| | |  | 2 δευτερόλεπτα | Η ακύρωση της καταχώρησης εργαλείου έχει ολοκληρωθεί. Η λυχνία ασύρματης ενεργοποίησης θα αρχίσει να αναβοσβήνει με μπλε χρώμα. |
| Άλλες | Κόκκινη |  | 3 δευτερόλεπτα | Η ισχύς παρέχεται στην ασύρματη μονάδα και η λειτουργία ασύρματης ενεργοποίησης εκκινείται. |
| | Σβηστή | - | - | Η ασύρματη ενεργοποίηση της ηλεκτρικής σκούπας έχει σταματήσει. |

Ακύρωση καταχώρησης εργαλείου για την ηλεκτρική σκούπα

Εκτελέστε την ακόλουθη διαδικασία όταν ακυρώνετε την καταχώρηση εργαλείου για την ηλεκτρική σκούπα.

1. Τοποθετήστε τις μπαταρίες στην ηλεκτρική σκούπα και στο εργαλείο.

2. Θέστε τον διακόπτη αναμονής στην ηλεκτρική σκούπα στη θέση «AUTO».

► **Εικ.38:** 1. Διακόπτης αναμονής

3. Πατήστε το κουμπί ασύρματης ενεργοποίησης στην ηλεκτρική σκούπα για 6 δευτερόλεπτα. Η λυχνία ασύρματης ενεργοποίησης αναβοσβήνει με πράσινο χρώμα και μετά γίνεται κόκκινη. Μετά από αυτό, πατήστε το κουμπί ασύρματης ενεργοποίησης στο εργαλείο με τον ίδιο τρόπο.

► **Εικ.39:** 1. Κουμπί ασύρματης ενεργοποίησης
2. Λυχνία ασύρματης ενεργοποίησης

Αν η ακύρωση εκτελεστεί με επιτυχία, οι λυχνίες ασύρματης ενεργοποίησης θα ανάψουν με κόκκινο χρώμα για 2 δευτερόλεπτα και θα αρχίσουν να αναβοσβήνουν με μπλε χρώμα.

ΠΑΡΑΤΗΡΗΣΗ: Οι λυχνίες ασύρματης ενεργοποίησης θα αρχίσουν να αναβοσβήνουν με κόκκινο χρώμα αφού περάσουν 20 δευτερόλεπτα. Πατήστε το κουμπί ασύρματης ενεργοποίησης στο εργαλείο ενώ η λυχνία ασύρματης ενεργοποίησης αναβοσβήνει στη σκούπα. Αν η λυχνία ασύρματης ενεργοποίησης δεν αναβοσβήνει με κόκκινο χρώμα, πατήστε για λίγο το κουμπί ασύρματης ενεργοποίησης και κρατήστε το ξανά πατημένο.

Αντιμετώπιση προβλημάτων για τη λειτουργία ασύρματης ενεργοποίησης

Πριν ζητήσετε επισκευές, εκτελέστε αρχικά τη δική σας επιθεώρηση. Αν εντοπίσετε πρόβλημα που δεν επεξηγείται στο εγχειρίδιο, μην επιχειρήσετε να αποσυναρμολογήσετε το εργαλείο. Αντ' αυτού, ζητήστε βοήθεια από εξουσιοδοτημένα κέντρα εξυπηρέτησης της Makita και πάντοτε να χρησιμοποιείτε γνήσια ανταλλακτικά της Makita.

| Κατάσταση προβλήματος | Πιθανή αιτία (δυσλειτουργία) | Αποκατάσταση |
|---|--|---|
| Η λυχνία ασύρματης ενεργοποίησης δεν ανάβει/αναβοσβήνει. | Η ασύρματη μονάδα δεν είναι εγκατεστημένη στο εργαλείο. Η ασύρματη μονάδα είναι εγκατεστημένη στο εργαλείο λανθασμένα. | Τοποθετήστε σωστά την ασύρματη μονάδα. |
| | Ο ακροδέκτης της ασύρματης μονάδας ή/και η σχισμή είναι βρόμικα. | Σκουπίστε απαλά τη σκόνη και τη βρομιά από τον ακροδέκτη της ασύρματης μονάδας και καθαρίστε τη σχισμή. |
| | Το κουμπί ασύρματης ενεργοποίησης στο εργαλείο δεν έχει πατηθεί. | Πατήστε σύντομα το κουμπί ασύρματης ενεργοποίησης στο εργαλείο. |
| | Ο διακόπτης αναμονής στην ηλεκτρική σκούπα δεν έχει τεθεί στη θέση «AUTO». | Θέστε τον διακόπτη αναμονής στην ηλεκτρική σκούπα στη θέση «AUTO». |
| | Δεν υπάρχει παροχή ρεύματος | Παρέχετε ισχύ στο εργαλείο και την ηλεκτρική σκούπα. |
| Δεν είναι δυνατή η ολοκλήρωση της καταχώρησης εργαλείου / ακύρωσης καταχώρησης εργαλείου με επιτυχία. | Η ασύρματη μονάδα δεν είναι εγκατεστημένη στο εργαλείο. Η ασύρματη μονάδα είναι εγκατεστημένη στο εργαλείο λανθασμένα. | Τοποθετήστε σωστά την ασύρματη μονάδα. |
| | Ο ακροδέκτης της ασύρματης μονάδας ή/και η σχισμή είναι βρόμικα. | Σκουπίστε απαλά τη σκόνη και τη βρομιά από τον ακροδέκτη της ασύρματης μονάδας και καθαρίστε τη σχισμή. |
| | Ο διακόπτης αναμονής στην ηλεκτρική σκούπα δεν έχει τεθεί στη θέση «AUTO». | Θέστε τον διακόπτη αναμονής στην ηλεκτρική σκούπα στη θέση «AUTO». |
| | Δεν υπάρχει παροχή ρεύματος | Παρέχετε ισχύ στο εργαλείο και την ηλεκτρική σκούπα. |
| | Λανθασμένη λειτουργία | Πατήστε σύντομα το κουμπί ασύρματης ενεργοποίησης και πραγματοποιήστε ξανά τις διαδικασίες καταχώρησης/ακύρωσης εργαλείου. |
| | Το εργαλείο και η ηλεκτρική σκούπα βρίσκονται σε αρκετή απόσταση μεταξύ τους (εκτός του εύρους μετάδοσης). | Φέρετε το εργαλείο και την ηλεκτρική σκούπα πιο κοντά. Η μέγιστη απόσταση μετάδοσης είναι περίπου 10 μέτρα, ωστόσο, μπορεί να διαφέρει ανάλογα με τις συνθήκες. |
| | Πριν τελειώσετε την καταχώρηση/ακύρωση του εργαλείου, - ο διακόπτης του εργαλείου είναι τραβηγμένος, ή - το κουμπί λειτουργίας στην ηλεκτρική σκούπα είναι ενεργοποιημένο. | Πατήστε σύντομα το κουμπί ασύρματης ενεργοποίησης και πραγματοποιήστε ξανά τις διαδικασίες καταχώρησης/ακύρωσης εργαλείου. |
| | Δεν έχουν ολοκληρωθεί οι διαδικασίες καταχώρησης εργαλείου για το εργαλείο ή την ηλεκτρική σκούπα. | Εκτελέστε τις διαδικασίες καταχώρησης εργαλείου για το εργαλείο και την ηλεκτρική σκούπα ταυτόχρονα. |
| Ραδιοφωνικά παράσιτα από άλλες συσκευές που παράγουν ραδιοκύματα υψηλής έντασης. | Διατηρήστε το εργαλείο και την ηλεκτρική σκούπα μακριά από τις συσκευές, όπως συσκευές Wi-Fi και φούρνους μικροκυμάτων. | |

| Κατάσταση προβλήματος | Πιθανή αιτία (δυσλειτουργία) | Αποκατάσταση |
|--|---|--|
| Η ηλεκτρική σκούπα δεν λειτουργεί μαζί με τη λειτουργία διακοπής του εργαλείου. | Η ασύρματη μονάδα δεν είναι εγκατεστημένη στο εργαλείο. Η ασύρματη μονάδα είναι εγκατεστημένη στο εργαλείο λανθασμένα. | Τοποθετήστε σωστά την ασύρματη μονάδα. |
| | Ο ακροδέκτης της ασύρματης μονάδας ή/και η σχισμή είναι βρόμικα. | Σκουπίστε απαλά τη σκόνη και τη βρομιά από τον ακροδέκτη της ασύρματης μονάδας και καθαρίστε τη σχισμή. |
| | Το κουμπί ασύρματης ενεργοποίησης στο εργαλείο δεν έχει πατηθεί. | Πατήστε για λίγο το κουμπί ασύρματης ενεργοποίησης και βεβαιωθείτε ότι η λυχνία ασύρματης ενεργοποίησης αναβοσβήνει με μπλε χρώμα. |
| | Ο διακόπτης αναμονής στην ηλεκτρική σκούπα δεν έχει τεθεί στη θέση «AUTO». | Θέστε τον διακόπτη αναμονής στην ηλεκτρική σκούπα στη θέση «AUTO». |
| | Περισσότερα από 10 εργαλεία έχουν καταχωρηθεί με την ηλεκτρική σκούπα. | Πραγματοποιήστε ξανά την καταχώρηση εργαλείου. Αν περισσότερα από 10 εργαλεία είναι καταχωρημένα στην ηλεκτρική σκούπα, το εργαλείο που είχε καταχωρηθεί πιο νωρίς θα ακυρωθεί αυτόματα. |
| | Η ηλεκτρική σκούπα έσβησε όλες τις καταχωρήσεις εργαλείων. | Πραγματοποιήστε ξανά την καταχώρηση εργαλείου. |
| | Δεν υπάρχει παροχή ρεύματος | Παρέχετε ισχύ στο εργαλείο και την ηλεκτρική σκούπα. |
| | Το εργαλείο και η ηλεκτρική σκούπα βρίσκονται σε αρκετή απόσταση μεταξύ τους (εκτός του εύρους μετάδοσης). | Φέρετε το εργαλείο και την ηλεκτρική σκούπα πιο κοντά. Η μέγιστη απόσταση μετάδοσης είναι περίπου 10 μέτρα, ωστόσο, μπορεί να διαφέρει ανάλογα με τις συνθήκες. |
| Ραδιοφωνικά παράσιτα από άλλες συσκευές που παράγουν ραδιοκύματα υψηλής έντασης. | Διατηρήστε το εργαλείο και την ηλεκτρική σκούπα μακριά από τις συσκευές, όπως συσκευές Wi-Fi και φούρνους μικροκυμάτων. | |
| Η ηλεκτρική σκούπα λειτουργεί ενώ το εργαλείο δεν λειτουργεί. | Άλλοι χρήστες χρησιμοποιούν την ασύρματη ενεργοποίηση της ηλεκτρικής σκούπας με τα εργαλεία τους. | Κλείστε το κουμπί ασύρματης ενεργοποίησης των άλλων εργαλείων ή ακυρώστε την καταχώρηση εργαλείου των άλλων εργαλείων. |

ΣΥΝΤΗΡΗΣΗ

⚠️ ΠΡΟΣΟΧΗ: Πριν την εκτέλεση εργασιών επιθεώρησης ή συντήρησης, πάντοτε να βεβαιώνετε ότι η συσκευή απενεργοποιήθηκε και η κασέτα μπαταριών έχει αφαιρεθεί.

ΕΙΔΟΠΟΙΗΣΗ: Μην χρησιμοποιείτε ποτέ βενζίνη, πετρελαϊκό αιθέρα, διαλυτικό, αλκοόλη ή παρόμοιες ουσίες. Μπορεί να προκληθεί αποχρωματισμός, παραμόρφωση ή ρωγμές.

Για τη διατήρηση της ΑΣΦΑΛΕΙΑΣ και ΑΞΙΟΠΙΣΤΙΑΣ του προϊόντος, οι επισκευές και οποιαδήποτε άλλη εργασία συντήρησης ή ρύθμισης πρέπει να εκτελούνται από εξουσιοδοτημένα ή εργοστασιακά κέντρα εξυπηρέτησης της Makita, χρησιμοποιώντας πάντοτε ανταλλακτικά της Makita.

Μετά τη χρήση

Σκουπίστε το εργαλείο χρησιμοποιώντας ένα στεγνό πανί ή ένα πανί λίγο υγραμένο με σαπουνό νερο σε τακτά χρονικά διαστήματα.

ΠΡΟΑΙΡΕΤΙΚΑ ΕΞΑΡΤΗΜΑΤΑ

⚠️ ΠΡΟΣΟΧΗ: Αυτά τα εξαρτήματα ή προσαρτήματα συνιστώνται για χρήση με το εργαλείο Makita που περιγράφηκε στις οδηγίες αυτές. Η χρήση οποιωνδήποτε άλλων εξαρτημάτων ή προσαρτημάτων μπορεί να προκαλέσει κίνδυνο τραυματισμού σε άτομα. Να χρησιμοποιείτε τα εξαρτήματα ή προσαρτήματα μόνο για την χρήση που προορίζονται.

Εάν χρειάζεστε οποιαδήποτε βοήθεια για περισσότερες πληροφορίες σε σχέση με αυτά τα εξαρτήματα, απαντηθείτε στο τοπικό σας κέντρο εξυπηρέτησης Makita.

- Λειαντικό χαρτί (με προ-διατρυπημένες οπές)
- Λειαντικό χαρτί τύπου άγκιστρου και βρόχου
- Πλάκα διάνοιξης οπών
- Πέλμα υποστήριξης (Για χρήση με λειαντικό χαρτί τύπου άγκιστρου και βρόχου)
- Πέλμα υποστήριξης (Για χρήση με λειαντικό χαρτί συμβατικού τύπου)
- Σάκος συλλογής σκόνης
- Κουτί συλλογής σκόνης
- Φίλτρο
- Εύκαμπος σωλήνας
- Ασύρματη μονάδα (Για το μοντέλο DBO381 μόνο)
- Προστατευτικό μπαταρίας
- Γνήσια μπαταρία και φορτιστής της Makita

ΠΑΡΑΤΗΡΗΣΗ: Μερικά στοιχεία στη λίστα μπορεί να συμπεριλαμβάνονται στη συσκευασία εργαλείου ως στάνταρ εξαρτήματα. Μπορεί να διαφέρουν ανάλογα με τη χώρα.

TEKNİK ÖZELLİKLER

| Model: | DBO380 | DBO381 |
|-----------------------------|----------------|--------------------------|
| Ped boyutu | 93 mm x 185 mm | |
| Zımpara kağıdı boyutu | 93 mm x 228 mm | |
| Dakikada devir | Yüksek | 12.000 min ⁻¹ |
| | Orta | 8.000 min ⁻¹ |
| | Düşük | 4.000 min ⁻¹ |
| Toplam uzunluk (ön sap ile) | 336 mm | |
| Anma voltajı | D.C. 18 V | |
| Net ağırlık | 1,9 - 2,2 kg | |

- Sürekli yapılan araştırma ve geliştirmelerden dolayı, burada belirtilen özellikler önceden bildirilmeksizin değiştirilebilir.
- Özellikler ve batarya kartuşu ülkeden ülkeye değişebilir.
- Ağırlık, ekli aksesuara/aksesuarlara ve batarya kartuşuna bağlı olarak farklılık gösterebilir. EPTA-Prosedürü 01/2014'e göre en hafif ve en ağır kombinasyonlar tabloda verilmiştir.

Geçerli batarya kartuşu ve şarj aleti

| | |
|-----------------|---|
| Batarya kartuşu | BL1815N / BL1820B / BL1830B / BL1840B / BL1850B / BL1860B |
| Şarj aleti | DC18RC / DC18RD / DC18RE / DC18SD / DC18SE / DC18SF / DC18SH / DC18WC |

- Yukarıda listelenen batarya kartuşlarının ve şarj aletlerinin bazıları yaşadığınız bölgeye bağlı olarak mevcut olmayabilir.

UYARI: Sadece yukarıda listelenen batarya kartuşlarını ve şarj aletlerini kullanın. Başka batarya kartuşlarının ve şarj aletlerinin kullanılması yaralanma ve/veya yangına neden olabilir.

Kullanım amacı

Bu alet ahşap, plastik ve metal malzemelerin geniş yüzeyleriyle boyalı yüzeylerin zımparalanması amacıyla kullanılır.

Gürültü

Tipik A-ağırlıklı gürültü düzeyi (EN62841-2-4 standardına göre belirlenen):

Model DBO380

Ses basınç seviyesi (L_{PA}): 72 dB (A)

Belirsizlik (K): 3 dB (A)

Model DBO381

Ses basınç seviyesi (L_{PA}): 72 dB (A)

Belirsizlik (K): 3 dB (A)

İşlem sırasında gürültü seviyesi 80 dB (A)'yi geçebilir.

NOT: Beyan edilen gürültü emisyonu değer(ler)i bir standart test yöntemine uygun şekilde ölçülmüştür ve bir aleti bir başkasıyla karşılaştırmak için kullanılabilir.

NOT: Beyan edilen gürültü emisyonu değer(ler)i bir ön maruz kalma değerlendirmesi olarak da kullanılabilir.

UYARI: Kulak koruyucuları takın.

UYARI: Elektrikli aletin gerçek kullanımı sırasındaki gürültü emisyonu, aletin kullanım biçimlerine, özellikle işlenen iş parçasının türüne bağlı olarak beyan edilen değer(ler)den farklı olabilir.

UYARI: Gerçek kullanım koşullarındaki tahmini maruziyeti baz alan, operatörü koruyacak güvenlik önlemlerini mutlaka belirleyin (çalışma döngüsü içerisinde aletin kapalı olduğu ve aktif durumda olmasının yanı sıra boşta çalıştığı zamanlar gibi, bütün zaman dilimleri göz önünde bulundurarak).

Titreşim

Titreşim toplam değeri (üç eksenli vektör toplamı) (EN62841-2-4 standardına göre hesaplanan):

Model DBO380

Çalışma modu: metal levha zımparalama

Titreşim emisyonu (a_h): 3,6 m/s²

Belirsizlik (K) : 1,5 m/s²

Model DBO381

Çalışma modu: metal levha zımparalama

Titreşim emisyonu (a_h): 3,6 m/s²

Belirsizlik (K) : 1,5 m/s²

NOT: Beyan edilen titreşim toplam değer(ler)i bir standart test yöntemine uygun şekilde ölçülmüştür ve bir aleti bir başkasıyla karşılaştırmak için kullanılabilir.

NOT: Beyan edilen titreşim toplam değer(ler)i bir ön maruz kalma değerlendirmesi olarak da kullanılabilir.

UYARI: Elektrikli aletin gerçek kullanımı sırasındaki titreşim emisyonu, aletin kullanımı biçimlerine, özellikle işlenen iş parçasının türüne bağlı olarak beyan edilen değer(ler)den farklı olabilir.

UYARI: Gerçek kullanım koşullarındaki tahmini maruziyeti baz alan, operatörü koruyacak güvenlik önlemlerini mutlaka belirleyin (çalışma döngüsü içerisinde aletin kapalı olduğu ve aktif durumda olmasının yanı sıra boşta çalıştığı zamanlar gibi, bütün zaman dilimleri göz önünde bulundurarak).

EC Uygunluk Beyanı

Sadece Avrupa ülkeleri için

EC uygunluk beyanı bu kullanım kılavuzuna Ek A olarak eklenmiştir.

GÜVENLİK UYARILARI

Genel elektrikli alet güvenliği uyarıları

UYARI: Bu elektrikli aletle birlikte sunulan tüm güvenlik uyarılarını, talimatları, çizimleri ve teknik özellikleri okuyun. Aşağıda verilen talimatlara uyulmaması elektrik şoku, yangın ve/veya ciddi yaralanmalar ile sonuçlanabilir.

Tüm uyarıları ve talimatları ile- ride baş vurmak için saklayın.

Uyarılardaki "elektrikli alet" terimi ile ya prizden çalışan (kordonlu) elektrikli aletiniz ya da kendi aküsü ile çalışan (kordsuz) elektrikli aletiniz kastedilmektedir.

Zımpara makinası güvenlik uyarıları

1. Daima koruyucu gözlükler kullanın. Normal gözlükler veya güneş gözlükleri koruyucu gözlük DEĞİLDİR.
2. Aleti sıkı tutun.
3. Aleti çalışır durumda bırakmayın. Aleti sadece elinizde tutarken çalıştırın.
4. Bu alet su geçirmez değildir, bu nedenle iş parçasının yüzeyinde su kullanmayın.
5. Zımparalama işlemi yaparken çalışma yerinizi iyi havalandırın.
6. Bazı malzemeler zehirli olabilen kimyasallar içerirler. Toz yutmayı ve cilt temasını önlemek için tedbir alın. Malzeme sağlığını güvenliği için kullanın.
7. Bu aletin bazı ürünleri, boyaları ve ahşabı zımparalamak için kullanımı kullanıcıyı tehlikeli maddeler içeren toza maruz bırakabilir. Uygun solunum koruması kullanın.

8. Kullanmadan önce yastıkta çatlak veya kırık olmadığından emin olun. Çatlaklar veya kırıklar yaralanmaya neden olabilirler.
9. Duruşunuza dikkat edin ve aleti dengeli tutun. Yüksek yerlerde çalışırken aşağıda kimse olmadığından emin olun.

BU TALİMATLARI MUHAFAZA EDİNİZ.

UYARI: Ürünü kullanırken (defalarca kullanınca kazanılan) rahatlık ve tanıdıklık duygusunun ilgili ürünün güvenlik kurallarına sıkı sıkıya bağlı kalmanızı yerine geçmesine İZİN VERMEYİN. YANLIŞ KULLANIM veya bu kullanma kılavuzunda belirtilen emniyet kurallarına uymama ciddi yaralanmaya neden olabilir.

Batarya kartuşu hakkında önemli güvenlik talimatları

1. Batarya kartuşunu kullanmadan önce, tüm talimatları ve (1) batarya kartuşu, (2) batarya ve (3) ürün üzerindeki tüm uyarı işaretlerini okuyun.
2. Batarya kartuşunu parçalarını ayırmayın veya kurcalamayın. Yangın, aşırı ısı veya patlamaya neden olabilir.
3. Çalışma süresi aşırı derecede kısalmışsa kullanmayı derhal bırakın. Aşırı ısınma, yanma riski hatta patlamaya neden olabilir.
4. Gözünüze elektrolit kaçarsa, gözlerinizi temiz suyla durulayın ve hemen tıbbi yardım alın. Görme kaybına yol açabilir.
5. Batarya kartuşuna kısa devre yaptırmayın:
 - (1) Terminallere herhangi bir iletken madde değdirmeyin.
 - (2) Batarya kartuşunu çiviler, madeni paralar, vb. gibi başka metal nesnelere aynı kaba koymaktan kaçının.
 - (3) Batarya kartuşunu yağmura ya da suya maruz bırakmayın.

Kısa devre, büyük bir akım akışına, aşırı ısınmaya, olası yangınlara hatta bataryanın bozulmasına yol açabilir.

6. Aleti ve batarya kartuşunu sıcaklığın 50°C ya da daha yükseğe ulaştığı yerlerde saklamayın ve kullanmayın.
7. Aşırı derecede hasar görmüş ya da tamamen kullanılamaz durumda olsa bile batarya kartuşunu yakmayın. Batarya kartuşu ateşe atılırsa patlayabilir.
8. Batarya kartuşunu çivilemeyin, kesmeyin, ezmeyin, fırlatmayın, düşürmeyin ya da batarya kartuşuna sert bir nesne ile vurmuyun. Bu eylemler yangın, aşırı ısı veya patlamaya neden olabilir.
9. Hasarlı bataryayı kullanmayın.
10. Aletin içerdiği lityum-iyon bataryalar Tehlikeli Eşyalar Yönetmeliğinin gereksinimlerine tabidir. Ticari nakliye işlemleri için, örneğin üçüncü taraflar, nakliye acenteleri tarafından yapılan nakliyelerde, paketleme ve etiketleme gereksinimlerine uyulmalıdır.

Kablosuz ünitesi için önemli güvenlik talimatları

Nakliyesi yapılacak ürünün hazırlanması için, tehlikeli maddeler konusunda uzman bir kişiye danışın. Lütfen muhtemelen daha ayrıntılı olan ulusal yönetmeliklere de uyun.

Açık kontakları bantlayın ya da maskeleyin ve bataryayı paketin içinde hareket etmeyecek şekilde paketlenin.

11. **Batarya kartuşunu bertaraf ederken aletten çıkarın ve güvenli bir yerde bertaraf edin. Bataryanın bertaraf edilmesi ile ilgili yerel düzenlemelere uyunuz.**
12. **Bataryaları sadece Makita tarafından belirtilen ürünlerle kullanın.** Bataryaların uyumsuz ürünlere takılması; yangın, aşırı ısınma, patlama ya da elektrolit sızıntısına neden olabilir.
13. **Alet uzun süre kullanılmıyacaksa batarya aletten çıkarılmalıdır.**
14. **Kullanma sırasında ve sonrasında batarya kartuşu ısınarak yanıklara veya düşük sıcaklık yanıklarına yol açabilir. Sıcak batarya kartuşları ile işlem yaparken dikkat edin.**
15. **Yanıklara neden olabilecek kadar sıcak olabileceğinden kullandıktan hemen sonra aletin terminaline dokunmayın.**
16. **Batarya kartuşunun terminallerine, deliklerine ve kanallarına micir, toz veya toprak girmesine izin vermeyin.** Aletin veya batarya kartuşunun ısınmasına, alev almasına, patlamasına ve arızalanmasına neden olarak yanıklara veya yaralanmaya yol açabilir.
17. **Alet yüksek gerilim elektrik güç hatları yakınında kullanımı desteklemediği sürece batarya kartuşunu yüksek gerilim elektrik güç hatlarının yakınında kullanmayın.** Aletin veya batarya kartuşunun arızalanmasına veya bozulmasına neden olabilir.
18. **Bataryayı çocuklardan uzak tutun.**

BU TALİMATLARI MUHAFAZA EDİNİZ.

⚠DİKKAT: Sadece orijinal Makita bataryalarını kullanın. Orijinal olmayan Makita bataryaları ya da üzerine değişiklik yapılmış bataryaların kullanımı bataryanın patlamasına ve sonuç olarak yangın, kişisel yaralanma ve hasara neden olabilir. Ayrıca Makita aleti ve şarj aletinin Makita tarafından sunulan garantisi de geçersiz olur.

Maksimum batarya ömrü için ipuçları

1. **Batarya kartuşunu tamamen boşalmadan önce şarj edin.** Aletin gücünün zayıflamaya başladığını fark ettiğinizde aleti durdurun ve batarya kartuşunu şarj edin.
2. **Tam dolu bir batarya kartuşunu asla yeniden şarj etmeyin.** Aşırı şarj etme bataryanın hizmet ömrünü kısaltır.
3. **Batarya kartuşunu 10 °C - 40 °C oda sıcaklığında şarj edin.** Sıcak bir batarya kartuşunu şarj etmeden önce soğumasını bekleyin.
4. **Batarya kartuşunu kullanılmıyorken aletten veya şarj aletinden çıkarın.**
5. **Uzun bir süre (altı aydan daha fazla) kullanmadığınız durumlarda batarya kartuşunu şarj edin.**

1. **Kablosuz ünitesini parçalarına ayırmayın veya kurcalamayın.**
2. **Kablosuz ünitesini küçük çocuklardan uzak tutun.** Kazara yutulursa derhal tıbbi yardım alın.
3. **Kablosuz ünitesini sadece Makita aletlerle kullanın.**
4. **Kablosuz ünitesini yağmura veya ıslak koşullara maruz bırakmayın.**
5. **Kablosuz ünitesini sıcaklığın 50 °C'yi aştığı yerlerde kullanmayın.**
6. **Kablosuz ünitesini, kalp pilleri gibi tıbbi cihazların yakınında bulunan yerlerde kullanmayın.**
7. **Kablosuz ünitesini, otomatik cihazların yakınında bulunan yerlerde kullanmayın.** Kullanılırsa otomatik cihazlar arızalanabilir veya hata verebilir.
8. **Kablosuz ünitesini, yüksek sıcaklık altındaki yerlerde veya statik elektrik veya elektrik gürültüsü üretilebilecek yerlerde kullanmayın.**
9. **Kablosuz ünitesi elektromanyetik alanlar üretilebilir ancak onlar kullanıcıya zararlı değildir.**
10. **Kablosuz ünitesi hassas bir cihazdır. Kablosuz ünitesini düşürmemeye veya çarpmamaya dikkat edin.**
11. **Kablosuz ünitesinin terminaline çıplak ellerle veya metalik malzemelerle dokunmaktan kaçınınız.**
12. **Kablosuz ünitesini ürüne takarken ürünün üzerindeki bataryayı mutlaka çıkarın.**
13. **Yuva kapağını açarken yuvaya toz ve suyun girebileceği yerlerden kaçınınız. Yuva girişini daima temiz tutun.**
14. **Kablosuz ünitesi her zaman doğru yönde takınız.**
15. **Kablosuz ünitesinin üzerindeki kablosuz çalıştırma düğmesine çok sert basmayın ve/veya düğmeye keskin uçlu bir cisim ile basmayın.**
16. **Kullanırken yuva kapağını mutlaka kapatınız.**
17. **Alete güç beslenirken kablosuz ünitesini yuvadan çıkarmayınız.** Aksi takdirde kablosuz ünitesi arızalanabilir.
18. **Kablosuz ünitesinin üzerindeki etiketi çıkarmayınız.**
19. **Kablosuz ünitesinin üzerine hiçbir etiket koymayınız.**
20. **Kablosuz ünitesini, statik elektrik veya elektrik gürültüsü üretilebilecek yerlerde bırakmayınız.**
21. **Kablosuz ünitesini, güneşin altında duran bir araba gibi yüksek ısıya maruz yerlerde bırakmayınız.**
22. **Kablosuz ünitesini, tozlu veya aşındırıcı gaz üretilebilecek yerlerde bırakmayınız.**
23. **Ani sıcaklık değişimleri kablosuz ünitesini nemlendirebilir. Nem tamamen kuruyana dek kablosuz ünitesini kullanmayınız.**
24. **Kablosuz ünitesini temizlerken kuru yumuşak bir bezle nazikçe siliniz. Benzin, tiner, iletken gres veya benzeri maddeler kullanmayınız.**

25. Kablosuz ünitesini saklarken ürünle verilen kutusunda veya anti-statik bir kaptaki saklayın.
26. Alet üzerindeki yuvaya Makita kablosuz ünitesinin dışına başka hiçbir aygıt sokmayın.
27. Aleti, yuvanın kapağı hasarlı iken kullanmayın. Yuvaya giren su, toz ve pislik arızaya neden olabilir.
28. Yuvanın kapağını gerekenden fazla çekmeyin ve/veya bükmeyin. Aletten çıkması durumunda kapağı yeniden takın.
29. Kaybolur veya hasar görürse kapağı değiştirin.

BU TALİMATLARI MUHAFAZA EDİNİZ.

İŞLEVSEL NİTELİKLER

⚠ DİKKAT: Alet üzerinde ayarlama veya işleyiş kontrolü yapmadan önce aletin kapalı ve batarya kartuşunun ayrılmış olduğundan daima emin olun.

Batarya kartuşunun takılması ve çıkarılması

⚠ DİKKAT: Batarya kartuşunu takmadan ya da çıkarmadan önce aleti daima kapatın.

⚠ DİKKAT: Batarya kartuşunu takarken veya çıkarırken aleti ve batarya kartuşunu sıkıca tutun. Aletin ve batarya kartuşunun sıkıca tutulmaması bunların düşürülmesine sebep olabilir ve alet ve batarya kartuşunun zarar görmesine ya da ciddi yaralanmasına yol açabilir.

► **Şek.1:** 1. Kırmızı gösterge 2. Düğme 3. Batarya kartuşu

Batarya kartuşunu çıkarmak için, kartuşun ön tarafındaki düğmeyi kaydırarak kartuşu aletten çıkarın.

Batarya kartuşunu takmak için, batarya kartuşu üzerindeki dili yuvanın oluşu ile hizalayın ve kartuşu yerine oturtun. Kartuşu, küçük bir tık sesi ile yerine sabitlenene kadar sonuna kadar ittirin. Şekilde gösterildiği gibi kırmızı göstergeyi görebiliyorsanız tam olarak kilitlenmemiştir demektir.

⚠ DİKKAT: Batarya kartuşunu daima kırmızı gösterge görünmeyecek şekilde tam olarak takın. Yerine tam oturmazsa, aletten yanlışlıkla düşebilir, sizin ya da çevrenizdeki kişilerin yaralanmasına neden olabilir.

⚠ DİKKAT: Batarya kartuşunu zorlayarak takmayın. Kartuş kolay bir şekilde kaymıyorsa doğru yerleştirilmemiş demektir.

Kalan batarya kapasitesinin gösterilmesi

Sadece göstergeli batarya kartuşları için

► **Şek.2:** 1. Gösterge lambaları 2. Kontrol düğmesi

Kalan batarya kapasitesini göstermesi için batarya kartuşu üzerindeki kontrol düğmesine basın. Gösterge lambaları birkaç saniye yanar.

| Gösterge lambaları | | | Kalan kapasite |
|--------------------|--------|---------------|-------------------------------|
| Yanıyor | Kapalı | Yanıp sönüyor | |
| ■ | □ | ▣ | %75 ila %100 |
| ■ | ■ | □ | %50 ila %75 |
| ■ | □ | □ | %25 ila %50 |
| ■ | □ | □ | %0 ila %25 |
| ▣ | □ | □ | Bataryayı şarj edin. |
| ■ | ■ | □ | Batarya arızalanmış olabilir. |
| □ | □ | ■ | |

NOT: Kullanım koşullarına ve ortam sıcaklığına bağlı olarak, gösterilen değer gerçek kapasiteden biraz farklılık gösterebilir.

NOT: İlk (en soldaki) gösterge lambası, batarya koruma sistemi çalıştığından yanıp söner.

Alet/batarya koruma sistemi

Bu alet bir alet/batarya koruma sistemi ile donatılmıştır. Bu sistem motora giden gücü otomatik olarak keserek uzun alet ve batarya ömrü sağlar. Alet veya batarya için aşağıdaki durumlardan biri söz konusu olduğunda aletin işleyişi otomatik olarak durur:

Aşırı yük koruması

Alet veya batarya, anormal yüksek akım çekmesine neden olacak şekilde çalıştırılırsa alet hiçbir belirti vermeden otomatik olarak durur. Bu durumda aleti kapatın ve aletin aşırı yüklenmesine neden olan uygulamayı durdurun. Daha sonra aleti yeniden başlatın.

Aşırı ısınma koruması

Alet veya batarya aşırı ısındığında alet otomatik olarak durur. Bu durumda aleti yeniden açmadan önce aletin ve bataryanın soğumasını bekleyin.

Aşırı deşarj koruması

Batarya kapasitesi yeterli olmadığında, alet otomatik olarak durur. Bu durumda, bataryayı aletten çıkarın ve bataryayı tekrar şarj edin.

Anahtar işlemleri

⚠️ DİKKAT: Alet iş parçasının üzerine veya tezgahınıza yerleştirilmiş durumdayken aleti açmaktan kaçının. Yaralanmaya veya hasara neden olabilir.

Aletin açılması ve kapatılması

Aleti çalıştırmak için ana tutamağın üst kısmındaki güç/hız seçme düğmesine basın. Alet en yüksek titreşim hızında çalışmaya başlar. Çalışmayı duraklatmak veya durdurmak için durdurma düğmesine basın.

► **Şek.3:** 1. Güç/hız seçme düğmesi 2. Durdurma düğmesi 3. Ana tutamak

Alet hızının değiştirilmesi

Titreşim hızı uygulamaya ve iş yüküne bağlı olarak yüksek, orta ve düşük olmak üzere üç modda değiştirilebilir. Hız modunu değiştirmek için güç/hız seçme düğmesine basın.

► **Şek.4:** 1. Güç/hız seçme düğmesi

Hız ayarları tablosu

| Hız seviyesi | Dakikadaki titreşim sayısı |
|--------------|----------------------------|
| 3 (Yüksek) | 12.000 min ⁻¹ |
| 2 (Orta) | 8.000 min ⁻¹ |
| 1 (Düşük) | 4.000 min ⁻¹ |

ÖNEMLİ NOT: Eğer alet uzun süre devamlı düşük hızlarda çalıştırılırsa, motor aşırı yüklenir ve bozulmaya neden olur.

ÖNEMLİ NOT: Aşırı ısınmayı ve iş parçasının erimesini önlemek için zımparalama işlemleriniz için uygun bir hız aralığı seçin. Yüksek titreşim hızında zımparalamak iş parçasını istabilir ve temas noktasında eritebilir.

Elektronik işlev

Alet, kolay kullanım için elektronik fonksiyonla donatılmıştır.

Sabit hız kontrolü

Bu fonksiyon ince bir yüzey elde etmek için sabit bir titreşim hızına olanak tanır.

MONTAJ

⚠️ DİKKAT: Alet üzerinde herhangi bir iş yapmadan önce aletin kapalı ve batarya kartuşunun ayrılması olduğundan daima emin olun.

Zımpara kağıdının takılması ve çıkarılması

⚠️ DİKKAT: Kullanmadan önce bir zımpara kağıdı tabakasının güvenli bir şekilde takıldığından mutlaka emin olun. Aksi takdirde kağıt gevşeyebilir, kolayca çıkabilir ve kayabilir, bu da zımparalamanın düzensiz bir şekilde yapılmasına neden olur.

Aletle verilen zımpara kağıdının kullanılması

1. Pedin ön veya arka ucundaki kısıkaç kolunu ittirip basılı tutun ve kısıkaçın takılı konumundan kurtulması için durdurucudan uzağa kaydırın.

2. Kısıkaç ile zımparalama tabanının yan cidarı arasında, zımpara kağıdının bir ucunun sokulabileceği bir boşluk oluşturmak için kısıkaç kolunu mümkün olduğu kadar dışa doğru çekin.

► **Şek.5:** 1. Kısıkaç kolu 2. Durdurucu 3. Kısıkaç 4. Zımparalama tabanı 5. Ped

3. Kağıttaki toz emme deliklerini peddekilerle hizalayarak bir zımpara kağıdı tabakasını pedin üzerine yerleştirin.

► **Şek.6:** 1. Zımpara kağıdı 2. Ped 3. Toz emme deliği

4. Zımpara kağıdının bir ucunu, kısıkaç ile zımparalama tabanı arasındaki boşluğa geçirin.

5. Zımpara kağıdının ucu sıkıca kenetlenemez şekilde kısıkaç kolunu kilitleti konuma geri alın.

6. Diğer uçtaki kısıkaçı kurtarın ve zımpara kağıdının diğer ucunu kenetlenmeye hazır hale getirin.

7. Zımpara kağıdı üzerinde uygun bir gerginliği koruyun ve ardından diğer uçtaki kısıkaç kolunu kilitleti konuma alın.

► **Şek.7:** 1. Zımpara kağıdı 2. Kısıkaç 3. Zımparalama tabanı 4. Kısıkaç kolu 5. Durdurucu

8. Zımpara kağıdını çıkarmak için her iki uçtaki kısıkaçları kurtarın ve kağıdı pedden kaldırın.

Piyasada mevcut zımpara kağıdının kullanılması

1. Uygun boyutta bir zımpara kağıdı tabakasını kesin.

► **Şek.8:** 1. Zımpara kağıdı 2. Ped

2. Pedin ön veya arka ucundaki kısıkaç kolunu ittirip basılı tutun ve kısıkaçın takılı konumundan kurtulması için durdurucudan uzağa kaydırın.

3. Kısıkaç ile zımparalama tabanının yan cidarı arasında, zımpara kağıdının bir ucunun sokulabileceği bir boşluk oluşturmak için kısıkaç kolunu mümkün olduğu kadar dışa doğru çekin.

4. Zımpara kağıdının bir ucunu, kısıkaç ile zımparalama tabanı arasındaki boşluğa geçirin.

5. Zımpara kağıdını, ped yüzeyine güzel bir şekilde binecek şekilde yeniden konumlandırın.

6. Zımpara kağıdının ucunu sıkıca kenetlemek için kısıkaç kolunu kilitleti konuma geri alın.

7. Diğer uçtaki kısıkaçı kurtarın ve zımpara kağıdının diğer ucunu kenetlenmeye hazır hale getirin.

8. Zımpara kağıdı üzerinde uygun bir gerginliği koruyun ve ardından diğer uçtaki kısıkaç kolunu kilitleti konuma alın.

► **Şek.9:** 1. Zımpara kağıdı 2. Kısıkaç 3. Zımparalama tabanı 4. Kısıkaç kolu 5. Durdurucu

9. Zımpara levhasının köşeye bitişik konumlandırma durdurucuları ped ve zımparalama tabanının yan kenarlarının ikisine tam olarak oturmuş halde zımpara kağıdını zımpara levhası ile örtün.

► **Şek.10:** 1. Zımpara kağıdı 2. Zımpara levhası 3. Konumlandırma durdurucuları 4. Ped 5. Zımparalama tabanı

10. Toz emme deliklerini açmak için zımbara levhasını zımpara kağıdının üzerine bastırın.

11. Zımpara kağıdını çıkarmak için her iki uçtaki kıskaçları kurtarın ve kağıdı pedden kaldırın.

Cırt cırt zımpara kağıdının kullanılması

İsteğe bağlı aksesuar

⚠DİKKAT: Cırt cırt pedi düzgün ve güvenli bir şekilde taktığınızdan emin olun. Gevşek bir ek parça dengesini kaybedecek ve aşırı titreşime neden olarak kontrol kaybına yol açacaktır.

⚠DİKKAT: Cırt cırt ped ve zımpara kağıdının hizalandığından ve sıkıca takıldığından emin olun.

⚠DİKKAT: Sadece cırt cırt zımpara kağıtları kullanın. Hiç bir zaman basınca hassas zımpara kağıtları kullanmayın.

1. Pedi zımparalama tabanına sabitleyen dört vidayı gevşetip çıkarın.
2. Standart olarak bulunan pedi isteğe bağlı cırt cırt ped ile değiştirin.
3. Vidaları iyice yeniden sıkarak cırt cırt pedi sabitleyin.

► **Şek.11:** 1. Vidalar 2. Zımparalama tabanı 3. Ped

4. Cırt cırt ped üzerindeki tüm kir ve yabancı maddeleri temizleyin.

5. Kağıttaki toz emme deliklerini peddekilerle hizalayarak bir isteğe bağlı cırt cırt zımpara kağıdı tabakasını pede yerleştirin.

► **Şek.12:** 1. Zımpara kağıdı 2. Ped 3. Toz emme delikleri

6. Zımpara kağıdını çıkarmak için kenardan sıyrarak kaldırın.

⚠DİKKAT: Pedi değiştirirken O halka conta zımparalama tabanından çıkabilir. İsteğe bağlı pedi takmadan önce O halka contayı, tabanın merkezinin etrafındaki dairesel kanala tekrar yerleştirin.

► **Şek.13:** 1. O halka conta 2. Zımparalama tabanı 3. Dairesel kanallar

Toz torbasının takılması ve çıkarılması

İsteğe bağlı aksesuar

Toz torbasını, motor gövdesinin arka ucundaki konik toz ağzına takın. Çalışma sırasında çıkmasını önlemek için torbanın toz girişini toz ağzına sonuna kadar sokun.

► **Şek.14:** 1. Toz ağzı 2. Toz girişi 3. Toz torbası

NOT: Toz torbasını, fermuar başlığı aşağı bakacak şekilde taktığınızdan emin olun.

NOT: Optimum toz toplama sağlamak için kapasitesinin yaklaşık yarısına kadar dolduğunda toz torbasını boşaltın.

Toz torbasını aletten çıkarın ve fermuarı açın.

Ardından toz torbasını hafifçe sallayarak veya vurarak boşaltın.

Toz kutusunun takılması ve çıkarılması

İsteğe bağlı aksesuar

Toz kutusunu, motor gövdesinin arka ucundaki konik toz ağzına takın. Çalışma sırasında çıkmasını önlemek için toz ağızlığını toz ağzına sonuna kadar sokun.

► **Şek.15:** 1. Toz ağzı 2. Toz ağızlığı 3. Toz kutusu

NOT: Optimum toz toplama sağlamak için kapasitesinin yaklaşık yarısına kadar dolduğunda toz kutusunu boşaltın.

1. Toz kutusunu aletten çıkarın.
2. Kutunun her iki tarafındaki kilitleme mandallarına bastırıp basılı tutarken toz ağızlığını kutudan ayırın.
3. Toz kutusunu hafifçe sallayarak veya vurarak boşaltın.

Filtrenin değiştirilmesi

ÖNEMLİ NOT: Bileşenleri yeniden monte ederken tüm toz kutusu, filtre ve toz ağızlığı üzerindeki logoları tutarlı bir yönde hizalamaya dikkat edin.

1. Toz kutusunu aletten çıkarın.

2. Kutunun her iki tarafındaki kilitleme mandallarına bastırıp basılı tutarken toz ağızlığını kutudan ayırın.

► **Şek.16:** 1. Toz ağızlığı 2. Toz kutusu 3. Kilitleme mandalı

3. Karton açıklığın iç üst kenarını tutun ve karton açıklığın dış üst kenarını toz kutusunun kapağındaki üst geçirme tırnağından ayırmak için aşağıda doğru çekip çıkarın.

4. Karton açıklığın dış alt kenarını çekip alt geçirme tırnağından kurtararak filtreyi toz kutusundan çıkarın.

► **Şek.17:** 1. Filtre 2. Karton açıklık 3. Üst geçirme tırnağı 4. Alt geçirme tırnağı 5. Toz kutusu

5. Karton açıklığın alt kenarını alt geçirme tırnağına geçirip üst kenarı, üst geçirme tırnağına oturana kadar içeri doğru itirerek filtreyi değiştirin.

► **Şek.18:** 1. Filtre 2. Karton açıklık 3. Üst geçirme tırnağı 4. Alt geçirme tırnağı 5. Toz kutusu

6. Toz kutusunun her iki tarafındaki kilitleme mandallarına bastırıp basılı tutarken toz ağızlığını yerine oturtun.

► **Şek.19:** 1. Toz ağızlığı 2. Toz kutusu 3. Kilitleme mandalı

Ön sapın takılması ve çıkarılması

Takma

Pakete ayrı olarak konulmuşlarsa kullanmadan önce ön sapı alete takın.

Sap ucunun dış hatları ile yuvanın dış hatlarını hizalayarak ön sapın ucunu motor gövdesi üzerindeki yuvaya sokun.

Ön sapı gövdeye doğru sıkıca itirip tutun ve kavrama yüzeyi yukarı bakacak şekilde 90 derece çevirin.

► **Şek.20:** 1. Ön sap 2. Yuva 3. Motor gövdesi 4. Kavrama yüzeyi

⚠ DİKKAT: Monte ettikten sonra ön sapı çekerek sıkıca takıldığını kontrol edin.

ÖNEMLİ NOT: Ön sapı yuva ucuna sonuna kadar itirdiğinizden ve ön sapı döndürürken olduğu yerde tuttuğunuzdan emin olun. Aksi takdirde aletin hasar görmesine neden olabilir.

Çıkarma

Ayrılabilir ön sapı çıkararak dar, kapalı ve ulaşması zor alanlarda zımparalama işlemi verimli bir şekilde yapılabilir.

Ön sapı motor gövdesine doğru sıkıca ittirip tutun ve sola veya sağa 90 derece çevirin. Ardından çekerek aletten çıkarın.

Elektrikli süpürge bağlanması

İsteğe bağlı aksesuar

Temiz zımparalama işlemi yapmak istediğinizde aletimize bir Makita elektrikli süpürge bağlayın. Bağlantı kurmak için isteğe bağlı 28 mm hortumu veya süpürge ile verilen ön rakor 22 ve hortum kombinasyonunu kullanın.

► **Şek.21:** 1. Toz ağız 2. Ön rakor 3. Hortum
4. Elektrikli süpürge

Batarya koruyucunun takılması ve çıkarılması

İsteğe bağlı aksesuar

Batarya koruyucu, iş parçasını ve bataryayı korumak için tasarlanmıştır.

► **Şek.22:** 1. Batarya koruyucu

⚠ DİKKAT: Aleti bir yerden başka bir yere taşıırken veya kullanımda olmadığında alet tutarken asla batarya koruyucuyu elle tutmayın.

NOT: Batarya koruyucu BL1815N ve BL1820B gibi ince bataryalarla kullanılamaz.

Batarya koruyucuyu takmak için aşağıdaki adımları izleyin.

1. Şekilde gösterildiği gibi bataryayı batarya koruyucuna sokun.

► **Şek.23**

2. Batarya koruyucudaki başlıklar batarya üzerindeki deliklere geçecek şekilde bataryayı batarya koruyucunun içine ittirin.

► **Şek.24:** 1. Delik 2. Başlık

3. Dört köşenin de batarya koruyucuya sıkıca takıldığınından emin olun.

► **Şek.25**

Batarya koruyucuyu çıkarmak için dört köşeyi kurtarın ve başlıklar batarya üzerindeki deliklerden çıkacak şekilde bataryayı batarya koruyucudan yavaşça dışarı çekin. Bataryayı çekerken bataryayı ve batarya koruyucuyu sıkıca tutun.

KULLANIM

Zımparalama işlemi

⚠ DİKKAT: Aleti zımpara kağıdı olmadan asla çalıştırmayın. Pede ciddi şekilde zarar verebilirsiniz.

⚠ DİKKAT: Aleti hiç bir zaman zorlamayın. Aşırı basınç zımparalama verimliliğini azaltabilir, zımpara kağıdına zarar verebilir ve/veya aletin kullanım ömrünü kısaltabilir.

Açık alanları zımparalama

1. Aleti bir eliniz tutmakta ve diğer eliniz ön sapta olacak şekilde her iki elinizle sıkıca tutun.
 2. Aleti çalıştırın ve tam hızına ulaşmasını bekleyin.
 3. Aleti hafifçe iş parçasının yüzeyine yerleştirin.
 4. Tüm pedi yüzeyle aynı seviyede ve eşit tutun ve alete hafif baskı uygulayın.
- **Şek.26**

Kapalı alanları zımparalama

1. Ön sapı aletten ayırın.
 2. Tutamağı bir elinizle tutun.
 3. Aleti çalıştırın ve tam hızına ulaşmasını bekleyin.
 4. Aleti hafifçe iş parçasının yüzeyine yerleştirin.
 5. Tüm pedi yüzeyle aynı seviyede ve eşit tutun ve alete hafif baskı uygulayın.
 6. Aleti kıvrımlar, duvar cepheleri ve diğer kapalı alanlarda gezdirerek ihtiyaç duyduğunuz şekilde pedin ön ve köşe kenarları ile zımparalayın.
- **Şek.27**

KABLOSUZ ÇALIŞTIRMA İŞLEVİ

Sadece model DBO381 için

ÖNEMLİ NOT: Kablosuz işlevi sadece desteklenen elektrikli süpürge takıldığında kullanılabilir.

Kablosuz çalıştırma işlevi ile yapabilecekleriniz

Kablosuz çalıştırma işlevi temiz ve rahat kullanım sağlar. Alete desteklenen bir elektrikli süpürge bağlayarak elektrikli süpürgeyi aletin anahtarla çalıştırılması ile birlikte çalıştırabilirsiniz.

► **Şek.28**

Kablosuz çalıştırma işlevini kullanmak için aşağıdaki unsurları hazırlayın:

- Bir kablosuz ünitesi (isteğe bağlı aksesuar)
- Kablosuz çalıştırma işlevini destekleyen bir elektrikli süpürge

Kablosuz çalıştırma işlevi ayarına genel bakış aşağıda verilmiştir. Ayrıntılı işlemler için her bir kısma bakın.

1. Kablosuz ünitesinin takılması
2. Elektrikli süpürge için alet kaydı
3. Kablosuz çalıştırma işlevinin başlatılması

Kablosuz ünitesinin takılması

İsteğe bağlı aksesuar

⚠ DİKKAT: Kablosuz ünitesini takarken aleti düz ve dengeli bir zemine yerleştirin.

ÖNEMLİ NOT: Kablosuz ünitesini takmadan önce aletin üzerindeki toz ve kiri temizleyin. Toz veya kir, kablosuz ünitesinin yuvasına girerse arızaya neden olabilir.

ÖNEMLİ NOT: Statik elektrik kaynaklı arızaları engellemek için kablosuz ünitesini almadan önce aletin metal kısmı gibi statik deşarj özellikli bir materyale dokununuz.

ÖNEMLİ NOT: Kablosuz ünitesini takarken kablosuz ünitesinin doğru yönde sokulduğundan ve kapağın tamamen kapatıldığından mutlaka emin olun.

1. Aletin üzerindeki kapağı şekilde gösterildiği gibi açın.

► **Şek.29:** 1. Kapak

2. Kablosuz ünitesini yuvaya sokun ve daha sonra kapağı kapatın.

Kablosuz ünitesini sokarken çıkıntıları yuva üzerindeki girintili kısımlarla hizalayın.

► **Şek.30:** 1. Kablosuz ünitesi 2. Çıkıntı 3. Kapak 4. Girintili kısım

Kablosuz ünitesini çıkarırken kapağı yavaşça açın. Kapağın arka kısmındaki kancalar, kapağı yukarı çektikçe kablosuz ünitesini kaldıracaktır.

► **Şek.31:** 1. Kablosuz ünitesi 2. Kanca 3. Kapak

Kablosuz ünitesini çıkardıktan sonra ürünle verilen kutusunda veya anti-statik bir kaptaki saklayın.

ÖNEMLİ NOT: Kablosuz ünitesini çıkarırken daima kapağın arka kısmındaki kancaları kullanın. Kancalar kablosuz ünitesini yakalamazsa kapağı tamamen kapatın ve yavaşça tekrar açın.

Elektrikli süpürge için alet kaydı

NOT: Alet kaydı için kablosuz çalıştırma işlevini destekleyen bir Makita elektrikli süpürge gerekir.

NOT: Alet kaydına başlamadan önce kablosuz ünitesini alete takmayı bitirin.

NOT: Alet kaydı sırasında anahtar tetiği çekmeyin veya elektrikli süpürge üzerindeki güç düğmesini açmayın.

NOT: Elektrikli süpürge kullanma kılavuzuna da bakın.

Elektrikli süpürgeyi aletin anahtarla çalıştırılması ile birlikte çalıştırmak isterseniz önceden alet kaydını tamamlayın.

1. Elektrikli süpürge ve alete bataryaları takın.

2. Elektrikli süpürge üzerindeki bekleme düğmesini "AUTO" konumuna alın.

► **Şek.32:** 1. Bekleme düğmesi

3. Kablosuz çalıştırma lambası yeşil yanıp sönene kadar elektrikli süpürge üzerindeki kablosuz çalıştırma düğmesine 3 saniye süreyle basın. Daha sonra aletin üzerindeki kablosuz çalıştırma düğmesine aynı şekilde basın.

► **Şek.33:** 1. Kablosuz çalıştırma düğmesi
2. Kablosuz çalıştırma lambası

Elektrikli süpürge ve alet başarıyla birbirlerine bağlanırsa kablosuz çalıştırma lambaları 2 saniye süreyle yeşil yanar ve mavi yanıp sönmeye başlar.

NOT: Kablosuz çalıştırma lambaları 20 saniye geçtikten sonra yeşil yanıp sönmeyi keser. Süpürge üzerindeki kablosuz çalıştırma lambası yanıp sönen aletin üzerindeki kablosuz çalıştırma düğmesine basın. Kablosuz çalıştırma lambası yeşil yanıp sönmeye kablosuz çalıştırma düğmesine kısa süreli basın ve tekrar basılı tutun.

NOT: Tek bir elektrikli süpürge için iki veya daha fazla alet kaydı yaparken alet kaydını birer birer tamamlayın.

Kablosuz çalıştırma işlevinin başlatılması

NOT: Kablosuz çalıştırma öncesinde elektrikli süpürge için alet kaydını tamamlayın.

NOT: Elektrikli süpürge kullanma kılavuzuna da bakın.

Elektrikli süpürgeye bir aleti kaydettikten sonra elektrikli süpürge, aletin anahtarla çalıştırılması ile birlikte otomatik olarak çalışır.

1. Kablosuz ünitesini alete takın.

2. Elektrikli süpürge hortumunu alete bağlayın.

► **Şek.34**

3. Elektrikli süpürge üzerindeki bekleme düğmesini "AUTO" konumuna alın.

► **Şek.35:** 1. Bekleme düğmesi

4. Aletin üzerindeki kablosuz çalıştırma düğmesine kısa süreyle basın. Kablosuz çalıştırma lambası mavi yanıp söner.

► **Şek.36:** 1. Kablosuz çalıştırma düğmesi
2. Kablosuz çalıştırma lambası

5. Aleti açın. Alet çalışırken elektrikli süpürgeyi çalıştırdığınız kontrol edin.

Elektrikli süpürgeyi kablosuz çalıştırılmasını durdurmak için alet üzerindeki kablosuz çalıştırma düğmesine basın.

NOT: Alet üzerindeki kablosuz çalıştırma lambası, 2 saat süreyle işlem yapılmazsa mavi yanıp sönmeyi keser. Bu durumda elektrikli süpürge üzerindeki bekleme düğmesini "AUTO" konumuna alın ve alet üzerindeki kablosuz çalıştırma düğmesine tekrar basın.

NOT: Elektrikli süpürge bir gecikmeyle başlar/durur. Elektrikli süpürge, aletin anahtarla çalıştırıldığını algıladığında bir gecikme söz konusu olur.











NOT: Kablosuz ünitesinin iletim mesafesi konum ve çevre şartlarına bağlı olarak değişebilir.

NOT: Tek bir elektrikli süpürgeye iki veya daha fazla alet kaydedildiğinde başka bir kullanıcı kablosuz çalıştırma işlevini kullandığından aletinizi açmasanız bile elektrikli süpürge çalışmaya başlayabilir.

Kablosuz çalıştırma lambası durumunun açıklanması

► Şek.37: 1. Kablosuz çalıştırma lambası

Kablosuz çalıştırma lambası kablosuz çalıştırma işlevinin durumunu gösterir. Lamba durumunun anlamı için aşağıdaki tabloya bakın.

| Durum | Kablosuz çalıştırma lambası | | | | Açıklama |
|------------------------------|-----------------------------|--|--|------------------|--|
| | Renk |  Kapalı |  Yanıp sönmüyor | Süre | |
| Beklemede | Mavi |  | | 2 saat | Elektrikli süpürge için kablosuz çalıştırılması kullanılabilir. 2 saat süreyle işlem yapılmazsa lamba otomatik olarak söner. |
| | |  | | Alet çalışırken. | Elektrikli süpürge için kablosuz çalıştırılması kullanılabilir ve alet çalışıyor. |
| Alet kaydı | Yeşil |  | | 20 saniye | Alet kaydı için hazır. Elektrikli süpürge tarafından alet kaydı bekleniyor. |
| | |  | | 2 saniye | Alet kaydı tamamlandı. Kablosuz çalıştırma lambası mavi yanıp sönmeye başlar. |
| Alet kaydının iptal edilmesi | Kırmızı |  | | 20 saniye | Alet kaydının iptali için hazır. Elektrikli süpürge tarafından iptal bekleniyor. |
| | |  | | 2 saniye | Alet kaydı iptali tamamlandı. Kablosuz çalıştırma lambası mavi yanıp sönmeye başlar. |
| Diğer | Kırmızı |  | | 3 saniye | Kablosuz ünitesine güç besleniyor ve kablosuz çalıştırma işlevi başlıyor. |
| | |  | - | - | Elektrikli süpürge için kablosuz çalıştırılması durduruldu. |

Elektrikli süpürge için alet kaydının iptal edilmesi

Elektrikli süpürge için alet kaydını iptal ederken aşağıdaki prosedürü uygulayın.

1. Elektrikli süpürge ve alete bataryaları takın.
2. Elektrikli süpürge üzerindeki bekleme düğmesini "AUTO" konumuna alın.
- **Şek.38:** 1. Bekleme düğmesi
3. Elektrikli süpürge üzerindeki kablosuz çalıştırma düğmesine 6 saniye süreyle basın. Kablosuz çalıştırma lambası yeşil yanıp söner ve daha sonra kırmızı olur. Ondan sonra aletin üzerindeki kablosuz çalıştırma düğmesine aynı şekilde basın.

- **Şek.39:** 1. Kablosuz çalıştırma düğmesi
2. Kablosuz çalıştırma lambası

İptal başarıyla yapılırsa kablosuz çalıştırma lambaları 2 saniye süreyle kırmızı yanar ve mavi yanıp sönmeye başlar.

NOT: Kablosuz çalıştırma lambaları 20 saniye geçtikten sonra kırmızı yanıp sönmeyi keser. Süpürge üzerindeki kablosuz çalıştırma lambası yanıp sönerken aletin üzerindeki kablosuz çalıştırma düğmesine basın. Kablosuz çalıştırma lambası kırmızı yanıp sönmeye kablosuz çalıştırma düğmesine kısa süreli basın ve tekrar basılı tutun.

Kablosuz çalışma işlevi için sorun giderme

Onarım için servise gitmeden önce kontrolleri yapın. Kılavuzda açıklanmayan bir problemle karşılaşırsanız aleti demonte etmeyin. Bunun yerine, Makita Yetkili Servis Merkezlerine başvurun ve daima orijinal Makita yedek parçaları kullanın.

| Anormal durum | Olası nedeni (arıza) | Çözümü |
|--|--|--|
| Kablosuz çalışma lambası yanmıyor/yanıp sönmüyor. | Kablosuz ünitesi alete takılmamış. Kablosuz ünitesi alete hatalı takılmış. | Kablosuz ünitesini doğru takın. |
| | Kablosuz ünitesinin terminali ve/veya yuva kirlidir. | Kablosuz ünitesinin terminalindeki tozu ve kiri hafifçe silin ve yuvayı temizleyin. |
| | Aletin üzerindeki kablosuz çalışma düğmesine basılmamış. | Aletin üzerindeki kablosuz çalışma düğmesine kısa süreyle basın. |
| | Elektrikli süpürge üzerindeki bekleme düğmesi "AUTO" konumuna alınmamış. | Elektrikli süpürge üzerindeki bekleme düğmesini "AUTO" konumuna alın. |
| | Güç beslemesi yok | Alete ve elektrikli süpürgeye güç besleyin. |
| Alet kaydı / alet kaydı iptali başarıyla tamamlanmıyor. | Kablosuz ünitesi alete takılmamış. Kablosuz ünitesi alete hatalı takılmış. | Kablosuz ünitesini doğru takın. |
| | Kablosuz ünitesinin terminali ve/veya yuva kirlidir. | Kablosuz ünitesinin terminalindeki tozu ve kiri hafifçe silin ve yuvayı temizleyin. |
| | Elektrikli süpürge üzerindeki bekleme düğmesi "AUTO" konumuna alınmamış. | Elektrikli süpürge üzerindeki bekleme düğmesini "AUTO" konumuna alın. |
| | Güç beslemesi yok | Alete ve elektrikli süpürgeye güç besleyin. |
| | Hatalı çalışma | Kablosuz çalışma düğmesine kısa süreyle basın ve alet kaydı/iptal prosedürlerini yeniden uygulayın. |
| | Alet ve elektrikli süpürge birbirlerinden uzakta (iletim aralığının dışında). | Aleti ve elektrikli süpürgeyi birbirlerine yaklaştırın. Maksimum iletim mesafesi yaklaşık 10 m'dir, ancak şartlara bağlı olarak değişebilir. |
| | Alet kaydını/iptalini tamamlamadan önce; - aletin anahtarları açılıyor veya; - elektrikli süpürge üzerindeki güç düğmesi açılıyor. | Kablosuz çalışma düğmesine kısa süreyle basın ve alet kaydı/iptal prosedürlerini yeniden uygulayın. |
| | Alet veya elektrikli süpürge için alet kaydı prosedürleri tamamlanmamış. | Alet ve elektrikli süpürge için alet kaydı prosedürlerini aynı zamanda uygulayın. |
| | Yüksek güçte radyo dalgaları üreten diğer cihazlardan radyo paraziti. | Aleti ve elektrikli süpürgeyi, Wi-Fi cihazları ve mikro-dalga fırınlar gibi cihazlardan uzak tutun. |
| Elektrikli süpürge, aletin anahtarları çalıştırılması ile birlikte çalışmıyor. | Kablosuz ünitesi alete takılmamış. Kablosuz ünitesi alete hatalı takılmış. | Kablosuz ünitesini doğru takın. |
| | Kablosuz ünitesinin terminali ve/veya yuva kirlidir. | Kablosuz ünitesinin terminalindeki tozu ve kiri hafifçe silin ve yuvayı temizleyin. |
| | Aletin üzerindeki kablosuz çalışma düğmesine basılmamış. | Kablosuz çalışma düğmesine kısa süreli basın ve kablosuz çalışma lambasının mavi yanıp söndüğünü kontrol edin. |
| | Elektrikli süpürge üzerindeki bekleme düğmesi "AUTO" konumuna alınmamış. | Elektrikli süpürge üzerindeki bekleme düğmesini "AUTO" konumuna alın. |
| | Elektrikli süpürgeye 10'dan fazla alet kayıtlı. | Alet kaydını yeniden yapın. Elektrikli süpürgeye 10'dan fazla alet kayıtlı ise ilk önce kaydedilen alet otomatik olarak iptal edilir. |
| | Elektrikli süpürge tüm alet kayıtlarını silmiş. | Alet kaydını yeniden yapın. |
| | Güç beslemesi yok | Alete ve elektrikli süpürgeye güç besleyin. |
| | Alet ve elektrikli süpürge birbirlerinden uzakta (iletim aralığının dışında). | Aleti ve elektrikli süpürgeyi birbirlerine yaklaştırın. Maksimum iletim mesafesi yaklaşık 10 m'dir, ancak şartlara bağlı olarak değişebilir. |
| | Yüksek güçte radyo dalgaları üreten diğer cihazlardan radyo paraziti. | Aleti ve elektrikli süpürgeyi, Wi-Fi cihazları ve mikro-dalga fırınlar gibi cihazlardan uzak tutun. |
| Alet çalışmıyorken elektrikli süpürge çalışıyor. | Diğer kullanıcılar, elektrikli süpürgeyi kablosuz çalıştırılmasını kendi aletleriyle kullanıyor. | Diğer aletlerin kablosuz çalışma düğmesini kapatın veya diğer aletlerin alet kaydını iptal edin. |

BAKIM

⚠ DİKKAT: Muayene ya da bakım yapmadan önce aletin kapalı ve batarya kartuşunun çıkartılmış olduğundan daima emin olun.

ÖNEMLİ NOT: Benzin, tiner, alkol ve benzeri maddeleri kesinlikle kullanmayın. Renk değişimi, deformasyon veya çatlaklar oluşabilir.

Aleti EMNİYETLİ ve ÇALIŞMAYA HAZIR durumda tutmak için onarımlar, başka her türlü bakım ve ayarlamalar daima Makita yedek parçaları kullanılarak Makita yetkili servis merkezleri veya Fabrikanın Servis Merkezleri tarafından yapılmalıdır.

Kullanım sonrası

Aleti düzenli aralıklarla kuru bir bez veya sabunlu su ile hafifçe nemlendirilmiş bir bez kullanarak silin.

İSTEĞE BAĞLI AKSESUARLAR

⚠ DİKKAT: Bu aksesuarlar ve ek parçalar bu el kitabında belirtilen Makita aletiniz ile kullanılmak için tavsiye edilmektedir. Herhangi başka bir aksesuar ya da ek parça kullanılması insanlar için bir yaralanma riski getirebilir. Aksesuarları ya da ek parçaları yalnızca belirtilmiş olan kullanım amaçlarına uygun olarak kullanın.

Bu aksesuarlarla ilgili daha fazla bilgiye ihtiyac duyarsanız bulunduğunuz yerdeki yetkili Makita servisine başvurun.

- Zımpara kağıdı (delikleri önceden delinmiş)
- Cırt cırt tipi zımpara kağıdı
- Zimba levhası
- Taban pedi (cırt cırt tipi zımpara kağıdı ile kullanmak için)
- Taban pedi (klasik tip zımpara kağıdı ile kullanmak için)
- Toz torbası
- Toz kutusu
- Filtre
- Hortum
- Kablosuz ünitesi (Sadece model DBO381 için)
- Batarya koruyucu
- Orijinal Makita batarya ve şarj aleti

NOT: Listedeki parçaların bazıları alet paketi içerisinde standart aksesuar olarak dahil edilmiş olabilir. Bunlar ülkeden ülkeye farklılık gösterebilir.

Makita Europe N.V. Jan-Baptist Vinkstraat 2,
3070 Kortenberg, Belgium

Makita Corporation 3-11-8, Sumiyoshi-cho,
Anjo, Aichi 446-8502 Japan

www.makita.com

885907B996
EN, FR, DE, IT, NL,
ES, PT, DA, EL, TR
20220615