









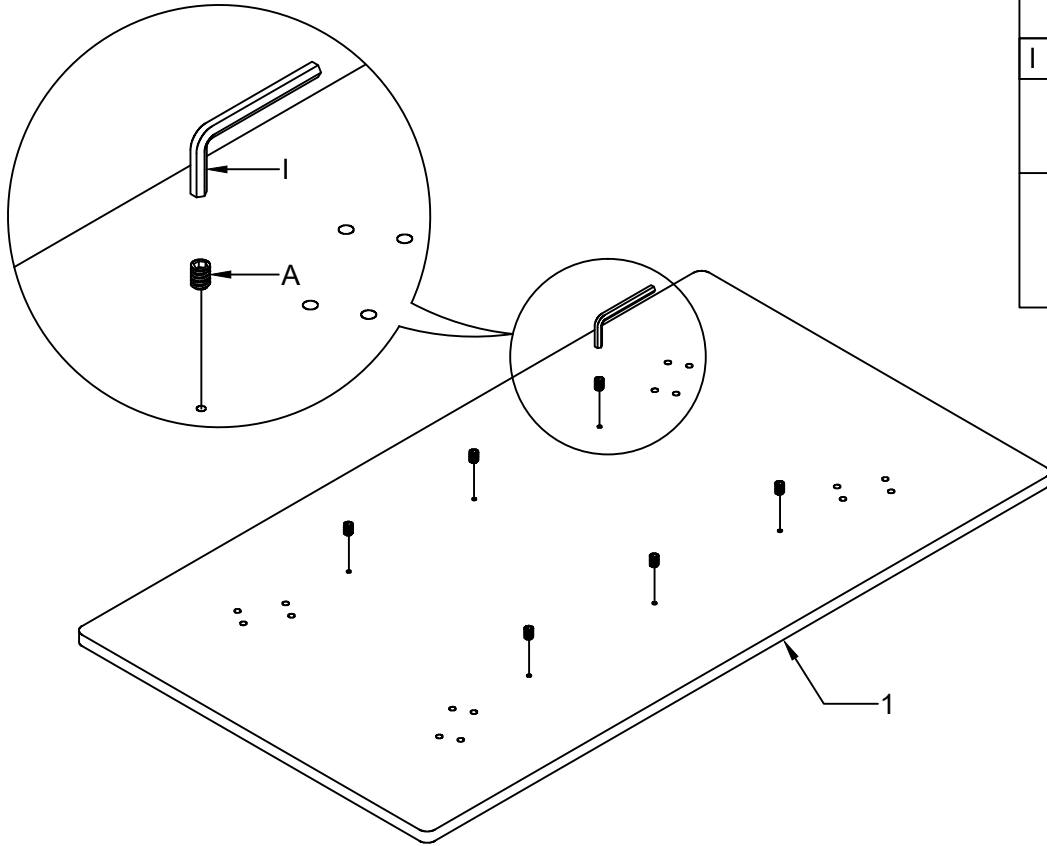





A	 M6x12 6x	B	 M8x12 16x	C	 M6x35 6x	D	 M8x16 16x	E	 Ø18xØ8x1.5 16x	F	 Ø25 (2.2) 4x
G	 Ø18xØ6x2.5 2x	H	 5MM 1x	I	 6MM 1x	J	 8MM 1x				

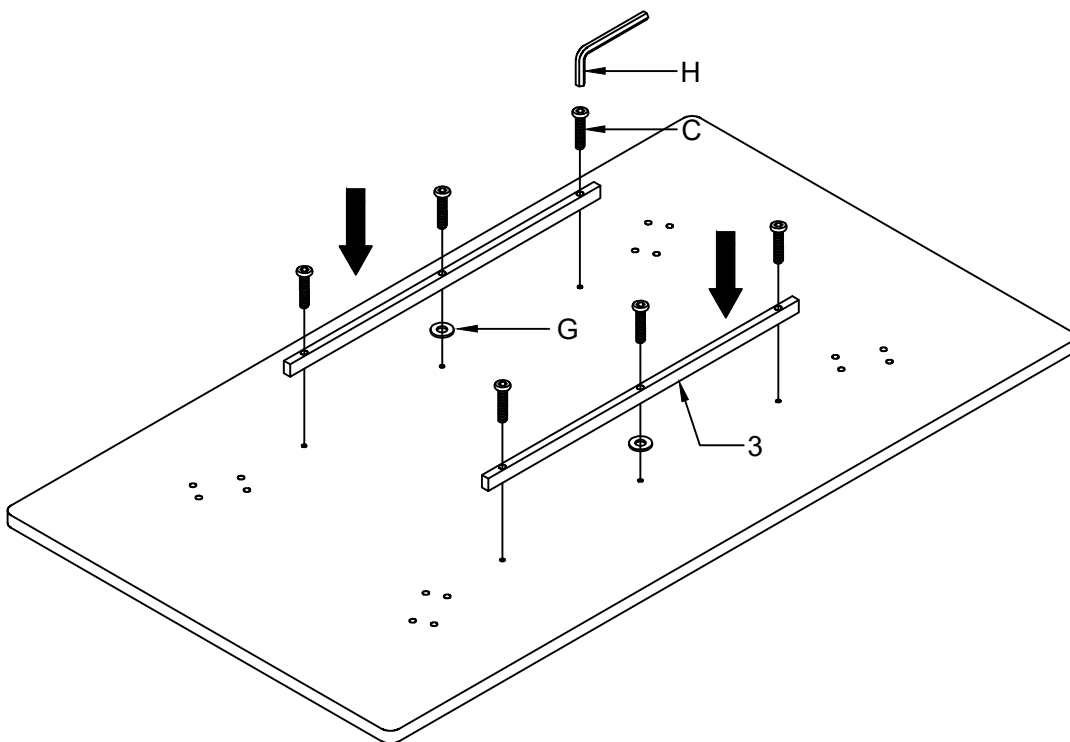
I.





1.



A	M6x12
	6x
I	6MM
	1x
	

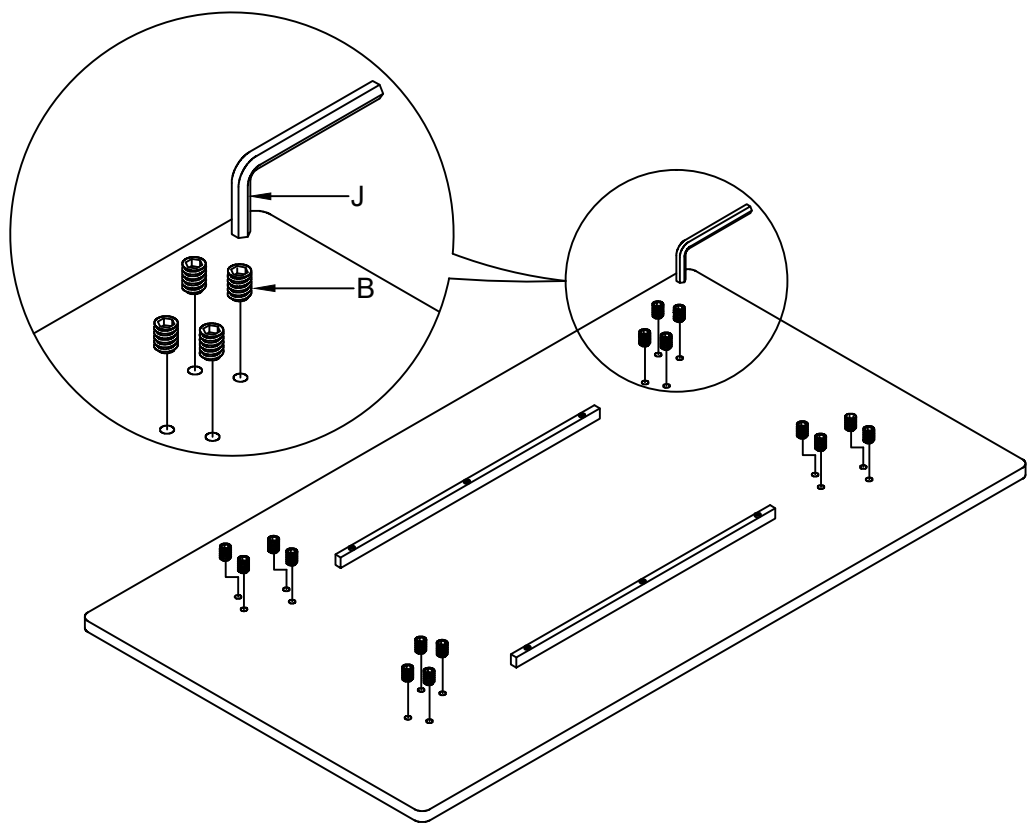
2.


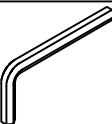



G	Ø18xØ6x2.5	C	M6x35
	2x		6x
		H	5MM
			1x
			

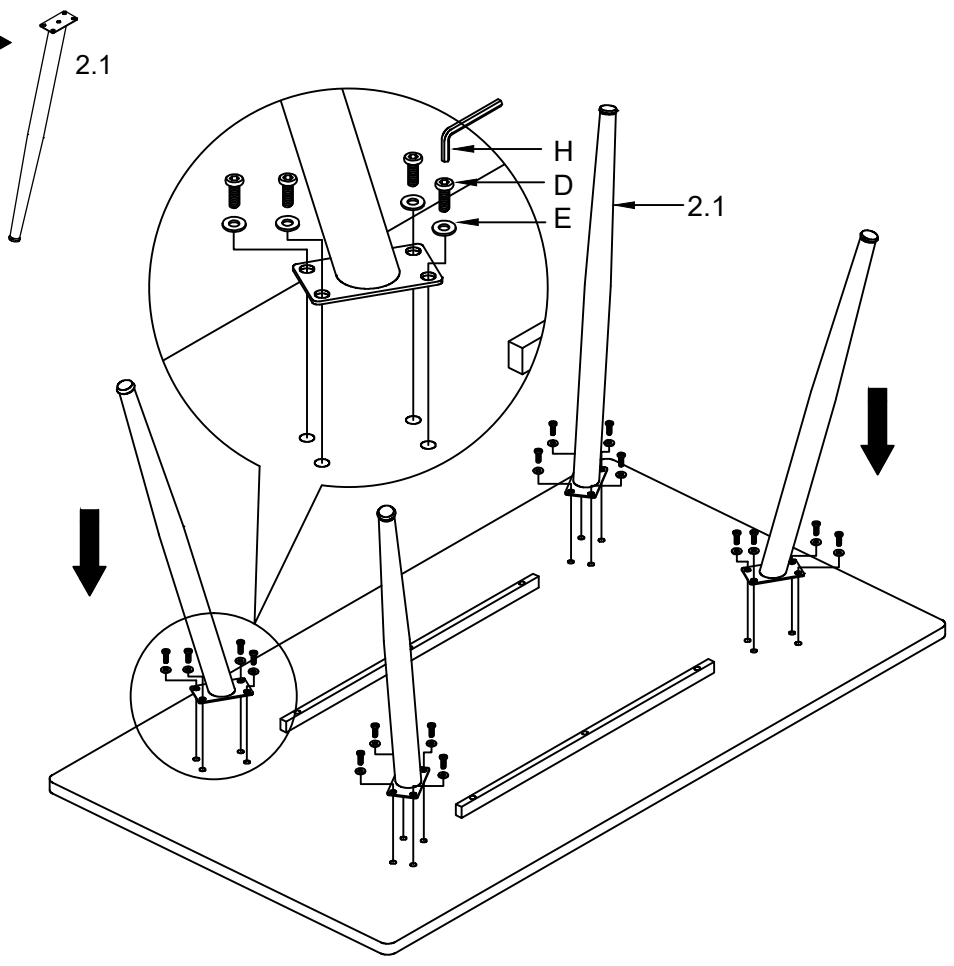
II.

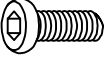



3.

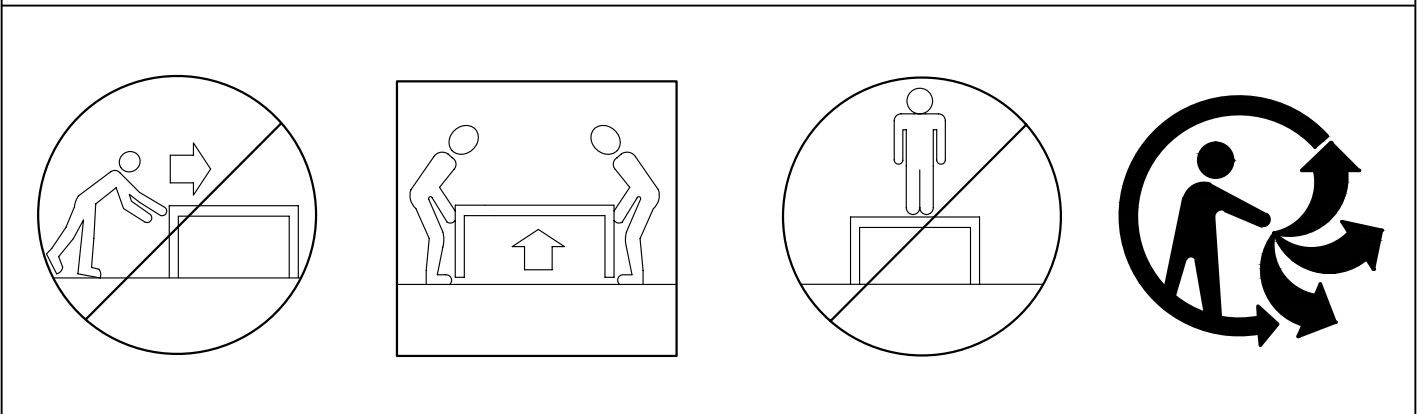
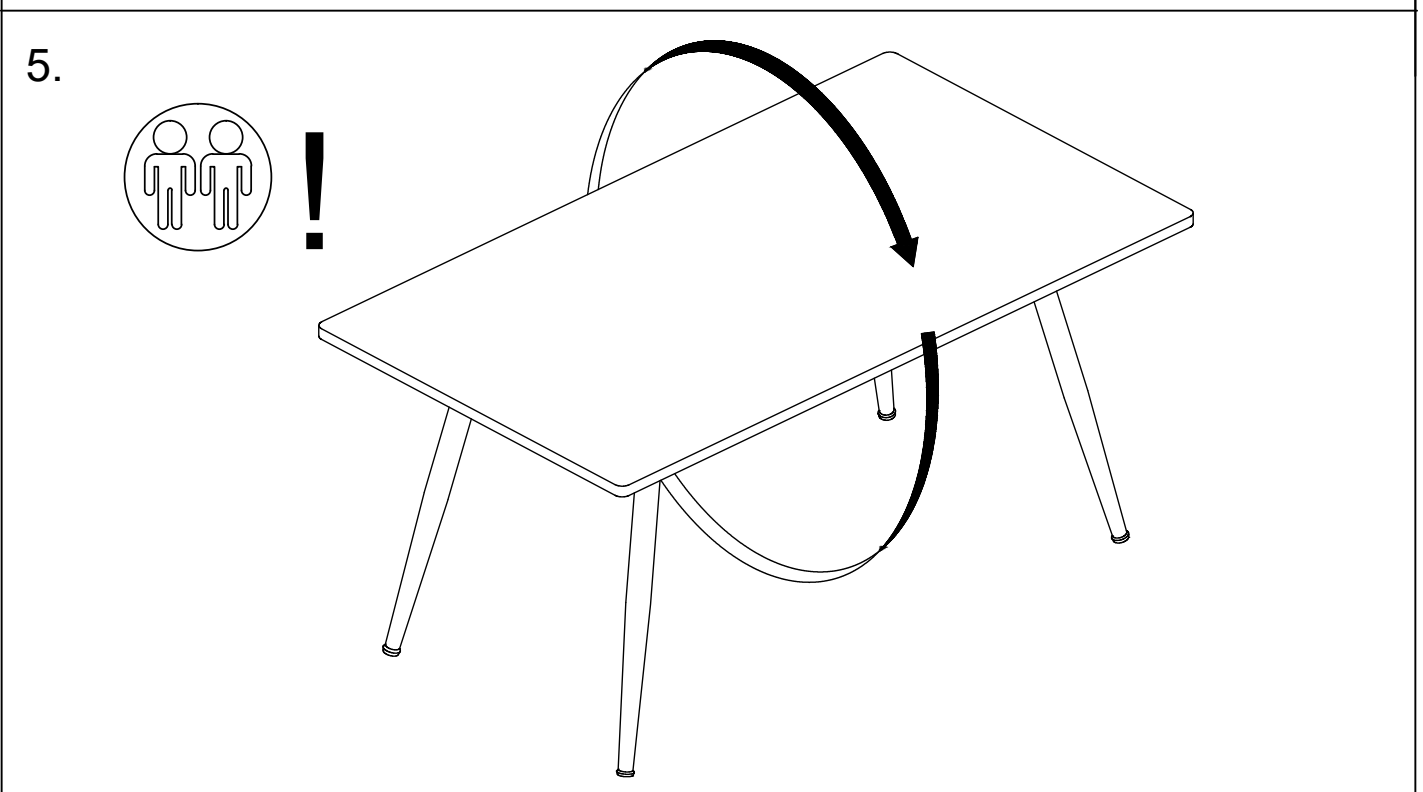
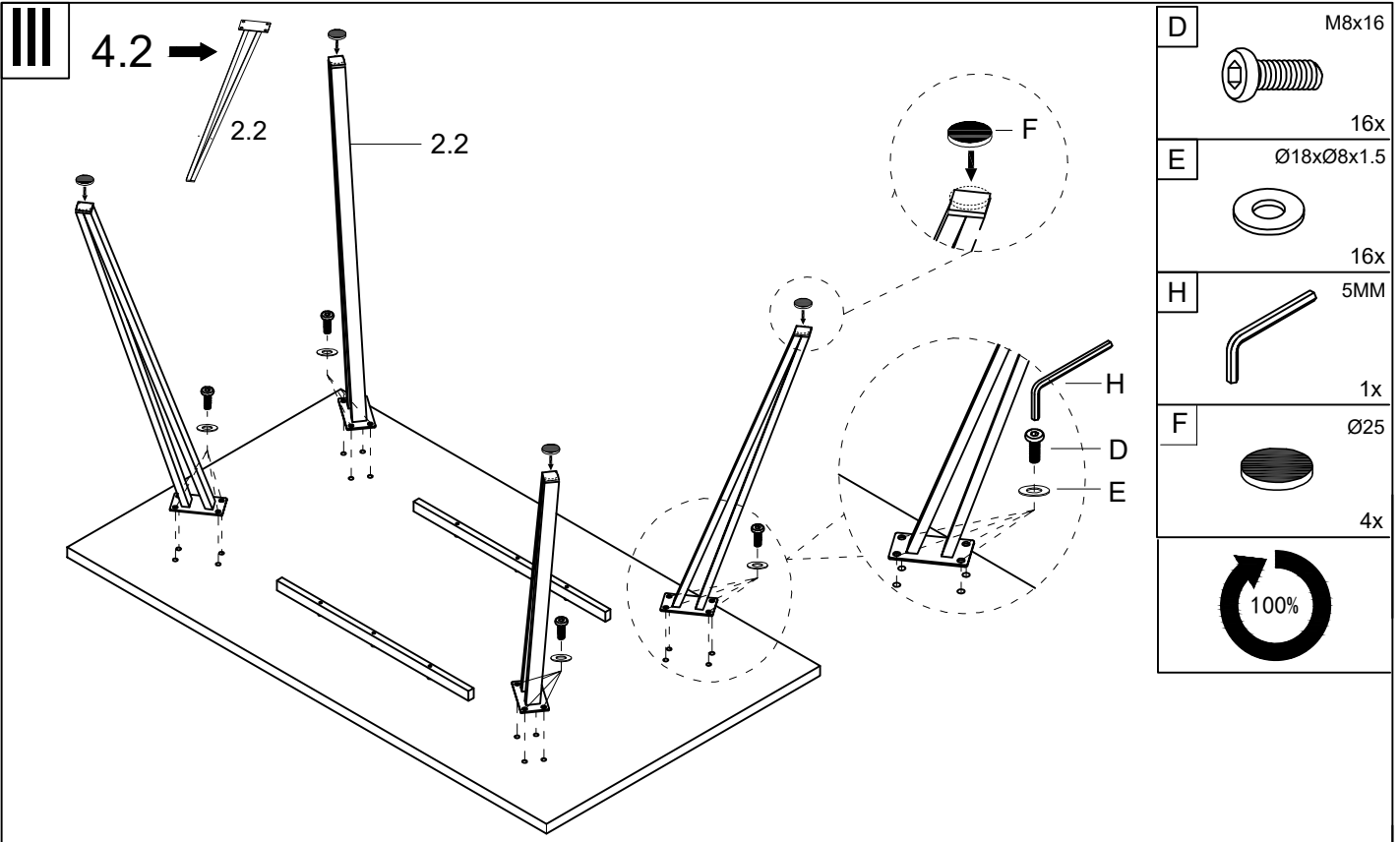


B	M8x12
	16x
J	8MM
	1x
	

4.1 →

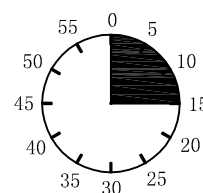
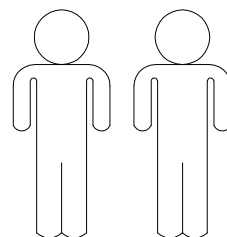
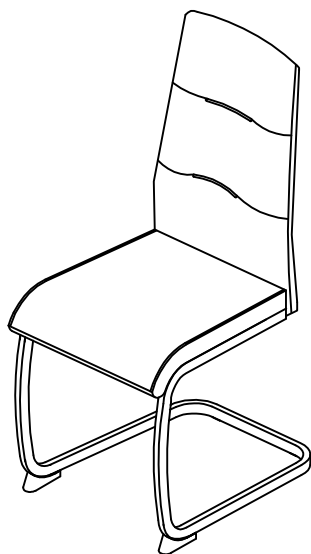


D	M8x16
	16x
E	Ø18xØ8x1.5
	16x
H	5MM
	1x
	



086-8874

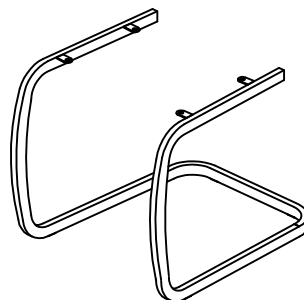
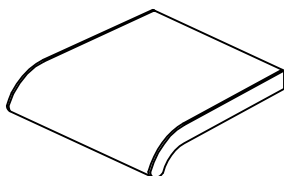
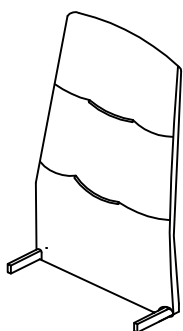
13042022



1

2

3



1	1X
2	1X
3	1X

A

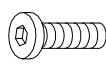
M6\*12



4X

B

M6\*18



4X

C

Ø18\*Ø6.5\*1.5



4X

D

M4\*20



4X

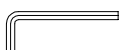
E



2X

F

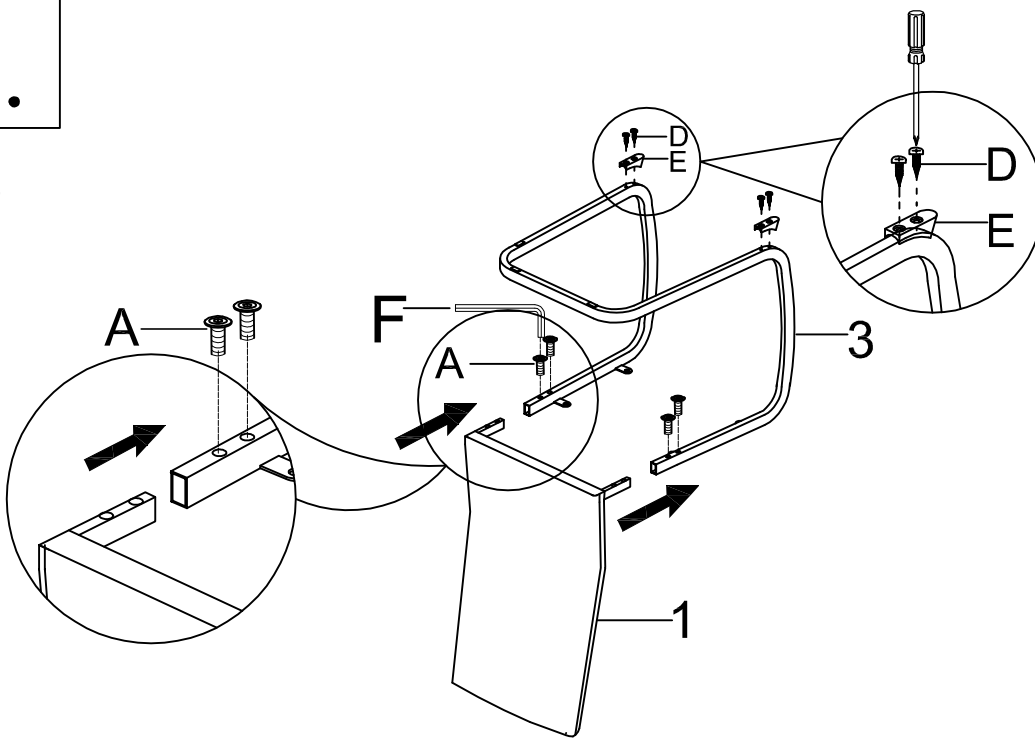
4mm



1X

I.

1.



A

M6\*12



4X

D

M4\*20



4X

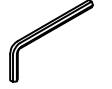
E



2X

F

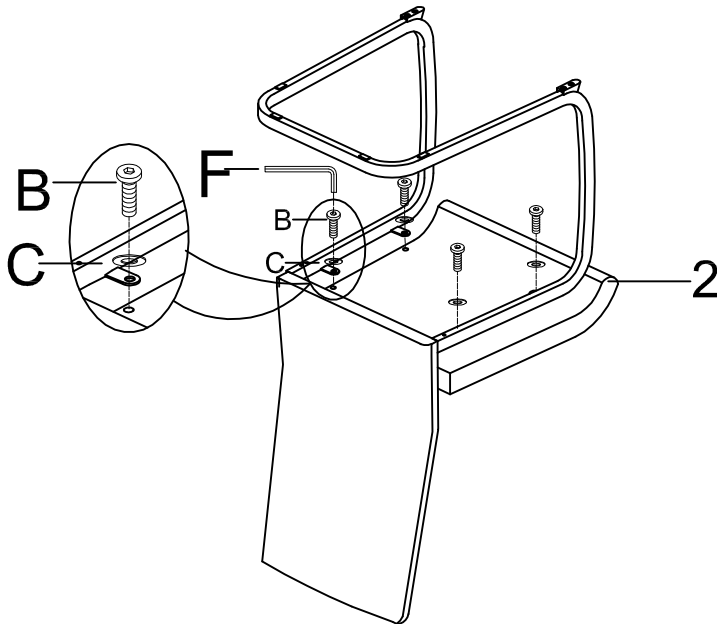
4mm



1X



2.



B

M6\*18



4X

C

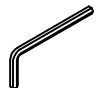
Ø18\*Ø6.5\*1.5



4X

F

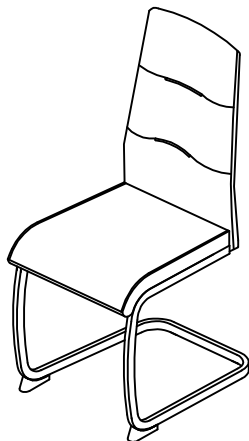
4mm



1X

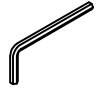


3.



F

4mm



1X

