

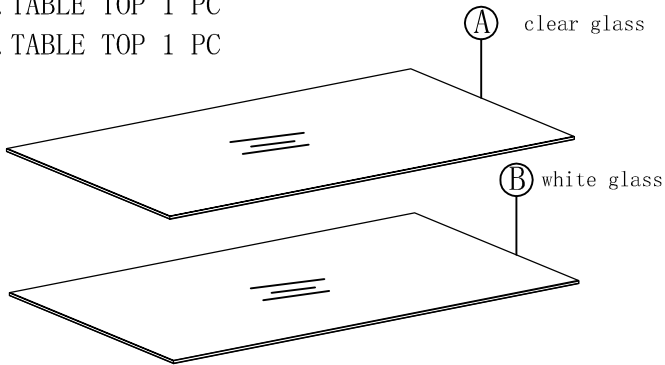
# JASPER REC COFFEE TABLE ASSEMBLY INSTRUCTIONS



## PARTS/PACKAGING CONFIGURATION

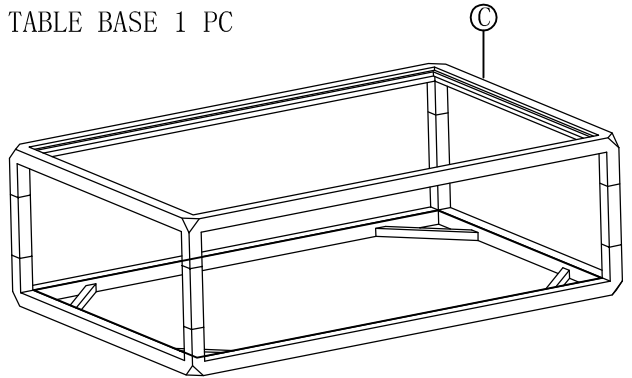
BOX #1

- A. TABLE TOP 1 PC
- B. TABLE TOP 1 PC




BOX #2

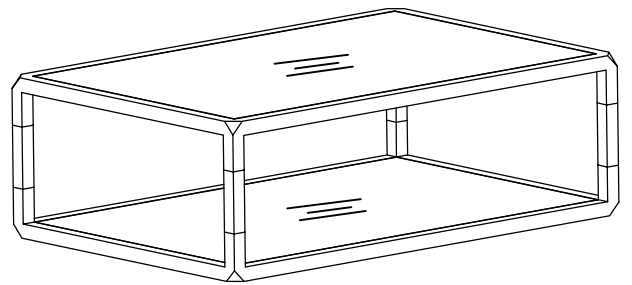
- C. TABLE BASE 1 PC



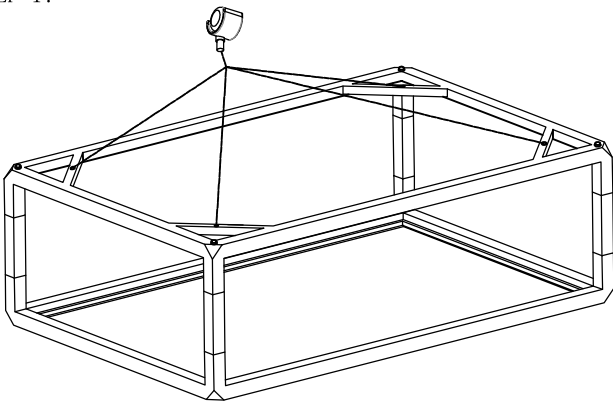
### HARDWARE PACKED IN BOX #2

NO	DESCRIPTION	PHOTO	QUANTITY
1	CASTER		4pcs

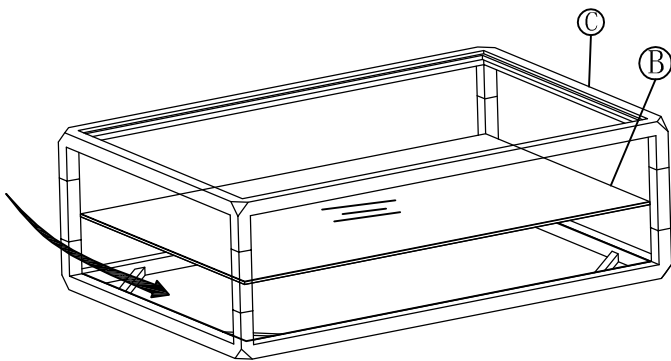
### JASPER REC COFFEE TABLE FULLY ASSEMBLED



OPTIONAL: INSTALL WITH CASTERS  
STEP 1:



OPTIONAL: INSTALL WITHOUT CASTERS  
STEP 2:



NOTE: INSERT BOTTOM GLASS THROUGH SIDE

STEP 3:

