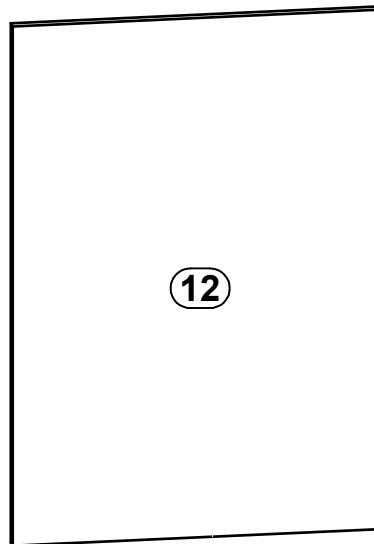
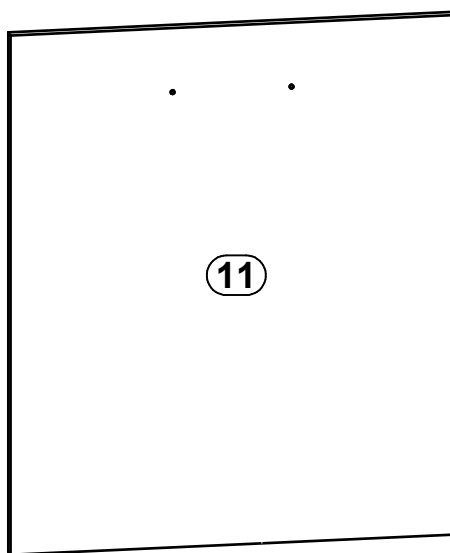
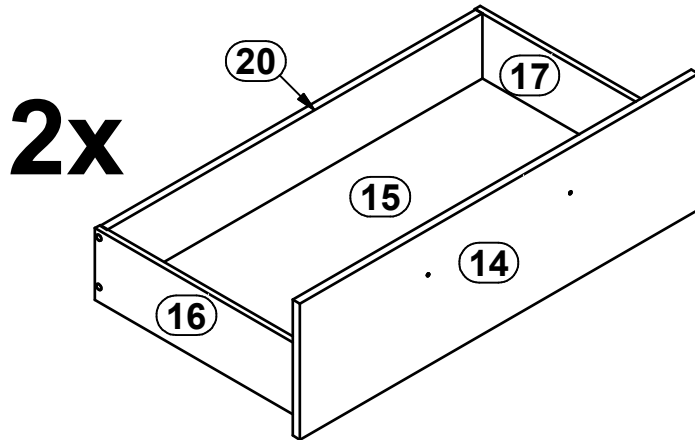
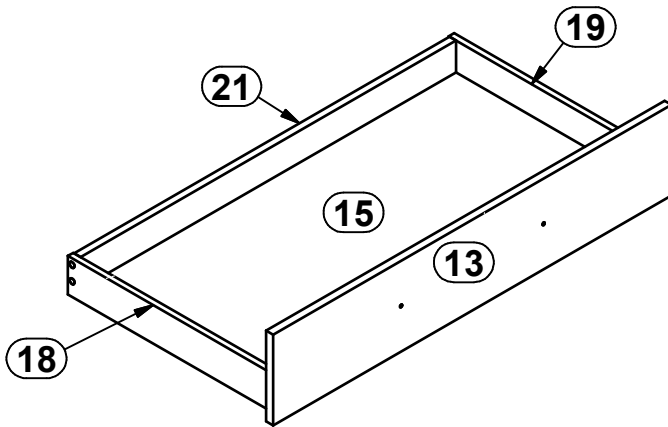


|                                 |                                   |                                      |
|---------------------------------|-----------------------------------|--------------------------------------|
| 36x<br>2011<br><b>r42</b>       | 24x<br>Ø15x12 mm #16<br><b>r1</b> | 12x<br>Ø12x10,5 mm #12<br><b>r15</b> |
| 8x<br>Ø4x13 mm<br><b>p28</b>    | 4x<br>Ø3,5x15 mm<br><b>p51</b>    | 27x<br>Ø2,9x16 mm<br><b>p55</b>      |
| 32x<br>Ø4x16 mm<br><b>p69</b>   | 6x<br>Ø3,5x16 mm<br><b>p25</b>    | 6x<br>Ø3,5x10 mm<br><b>p35</b>       |
| 12x<br>Ø6,5x40 mm<br><b>f25</b> | 10x<br>M4x25 mm<br><b>j8</b>      | 4x<br><b>k1</b>                      |
| 3x<br>Ø20 mm<br><b>c539</b>     | 12x<br>Ø6x13 mm<br><b>e3</b>      | 24x<br>Ø8x30 mm<br><b>f1</b>         |
| 2x<br>K18 Ø35<br><b>a172</b>    | 2x<br><b>b42</b>                  | 2x<br>176 mm<br><b>c539\2</b>        |

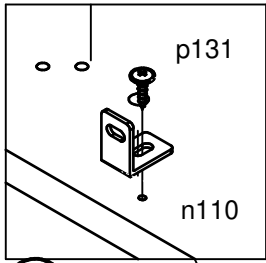
|                                 |                                 |                                  |
|---------------------------------|---------------------------------|----------------------------------|
| 3x<br>L=450 mm<br><b>w196\L</b> | 3x<br>L=450 mm<br><b>w196\P</b> | 6x<br>450 mm<br><b>t38</b>       |
| 8x<br>25x25x16\2<br><b>n110</b> | 16x<br>Ø4x16 mm<br><b>p131</b>  | 2x<br>Ø35x62x40x10<br><b>s71</b> |
| 8x<br><b>k66\1</b>              | 4x<br><b>k66\4</b>              | 8x<br><b>k66\5</b>               |
|                                 |                                 | 8x<br><b>k66\6</b>               |



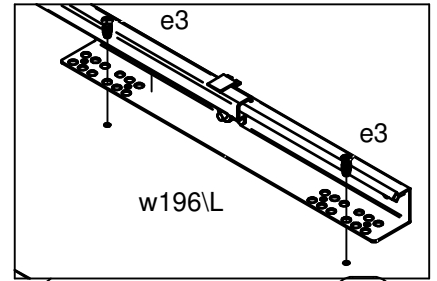
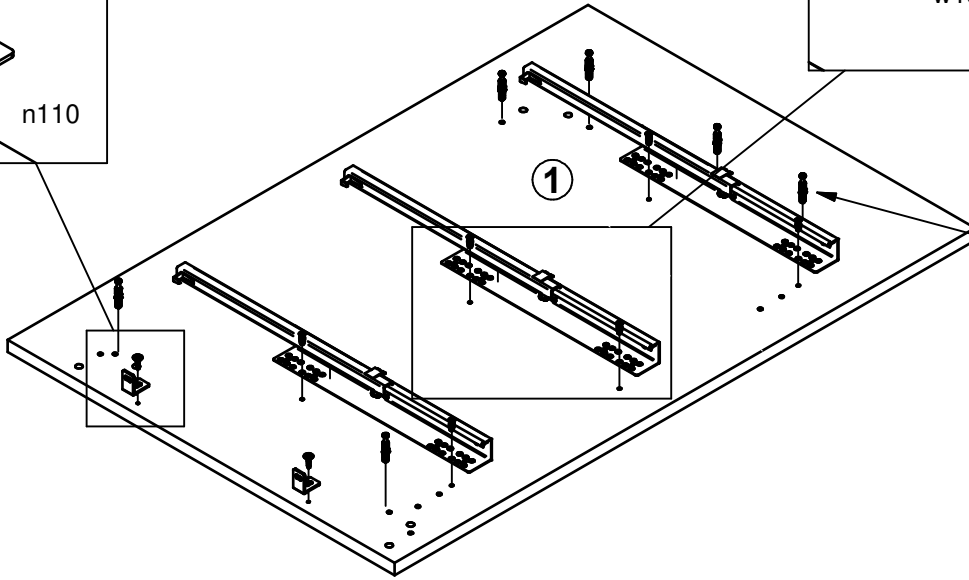
| A  | B         | C1   | C2  | C3  | D  |
|----|-----------|------|-----|-----|----|
| 1  | S540-1001 | 870  | 580 | 16  | 14 |
| 2  | S540-1002 | 870  | 580 | 16  | 14 |
| 3  | S540-1003 | 720  | 481 | 16  | 14 |
| 4  | S540-1004 | 720  | 481 | 16  | 14 |
| 5  | S540-2001 | 2034 | 600 | 38  | 24 |
| 6  | S540-3001 | 884  | 481 | 16  | 44 |
| 7  | S540-3002 | 484  | 481 | 16  | 14 |
| 8  | S540-4001 | 1999 | 150 | 16  | 24 |
| 9  | S540-4002 | 884  | 70  | 16  | 34 |
| 10 | S540-4004 | 484  | 70  | 16  | 34 |
| 11 | S548-0001 | 713  | 596 | 16  | 34 |
| 12 | S548-0002 | 713  | 496 | 16  | 34 |
| 13 | S548-0003 | 896  | 177 | 16  | 34 |
| 14 | S548-0004 | 896  | 265 | 16  | 34 |
| 15 | WSP-9412  | 854  | 458 | 2,5 | 44 |
| 16 | ZQ6-535   | 450  | 140 | 12  | 44 |
| 17 | ZQ6-536   | 450  | 140 | 12  | 44 |
| 18 | ZQ6-539   | 450  | 75  | 12  | 44 |
| 19 | ZQ6-540   | 450  | 75  | 12  | 44 |
| 20 | ZQ6-5248  | 844  | 127 | 15  | 44 |
| 21 | ZQ6-5250  | 844  | 62  | 15  | 44 |



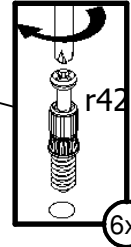
# 1A



2x

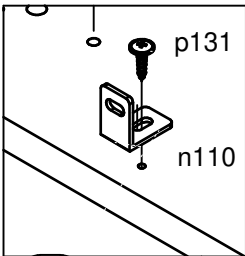


3x

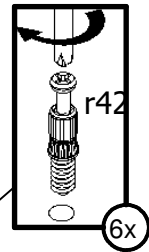
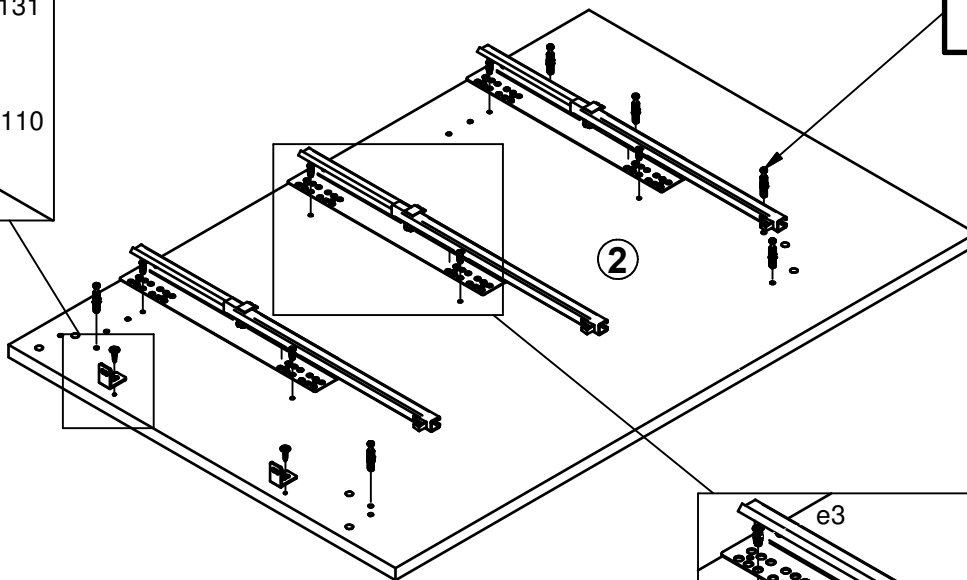


6x

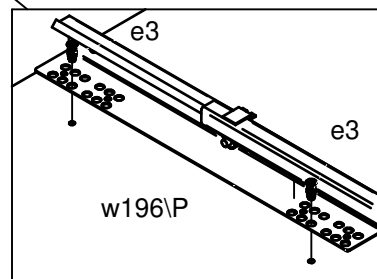
# 1B



2x

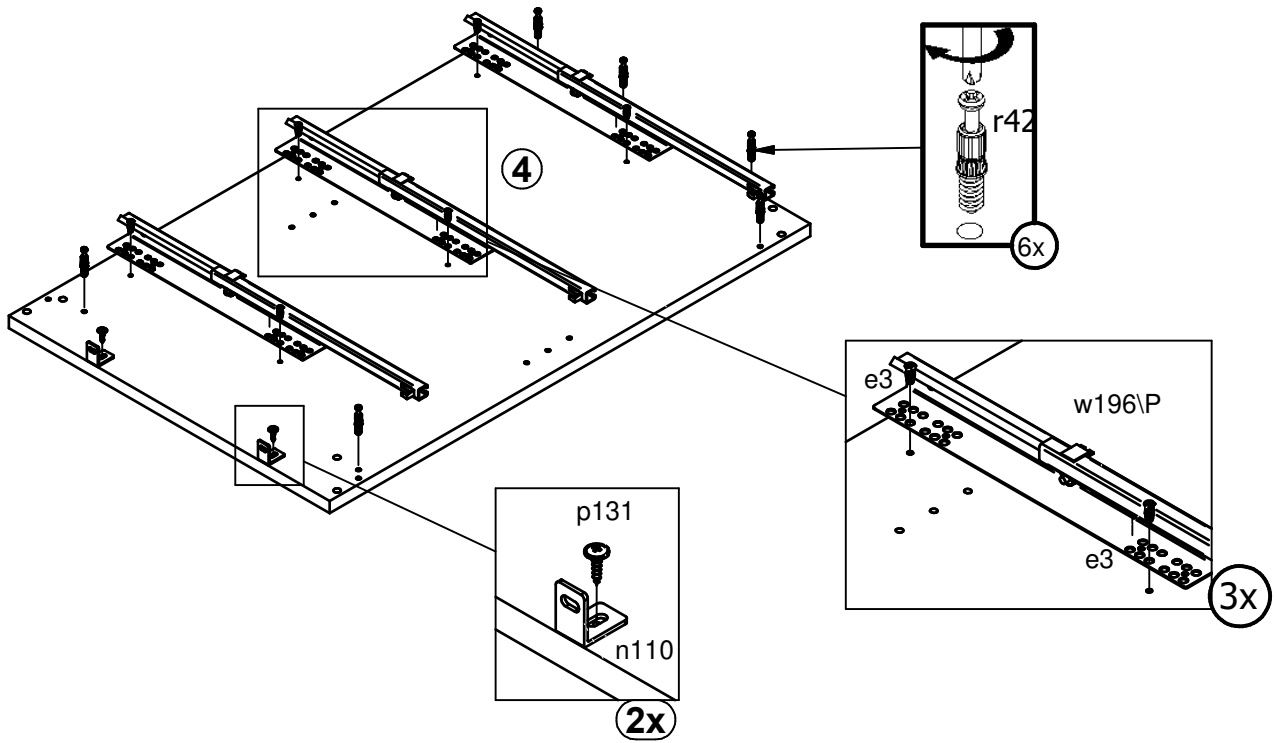


6x

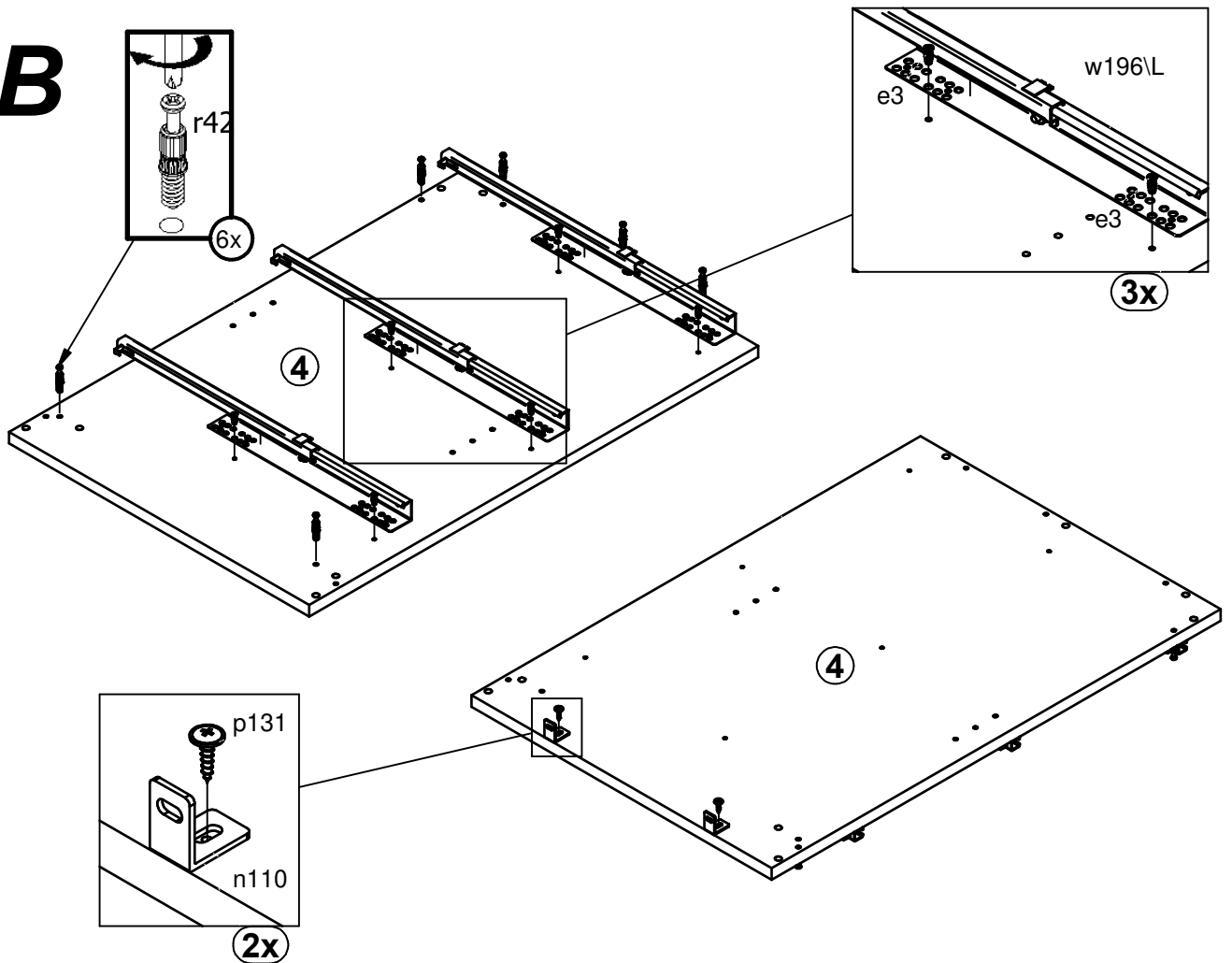


3x

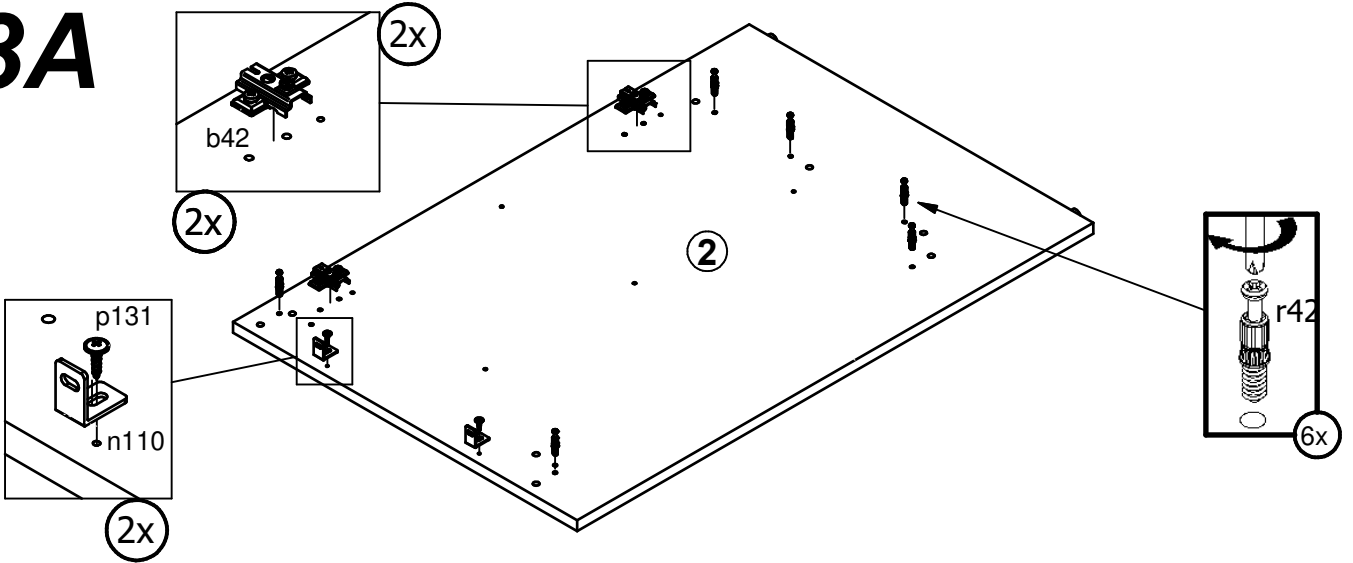
# 2A



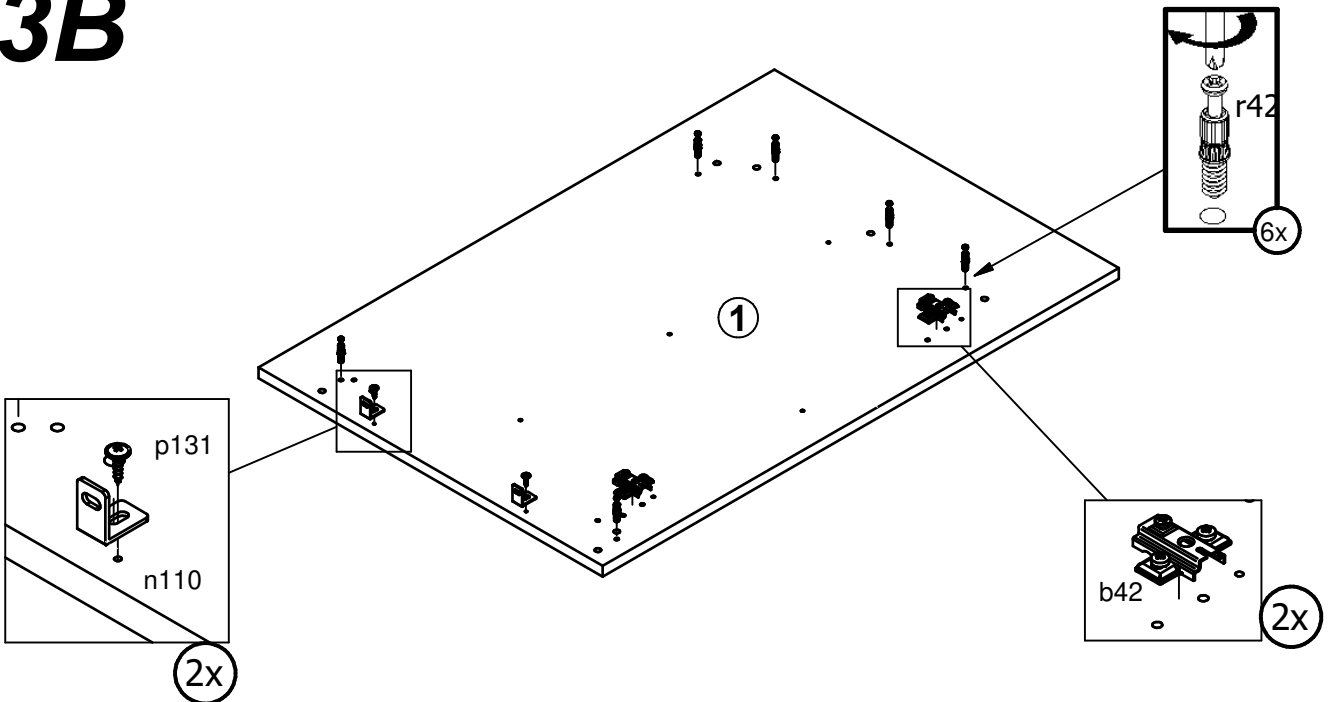
# 2B



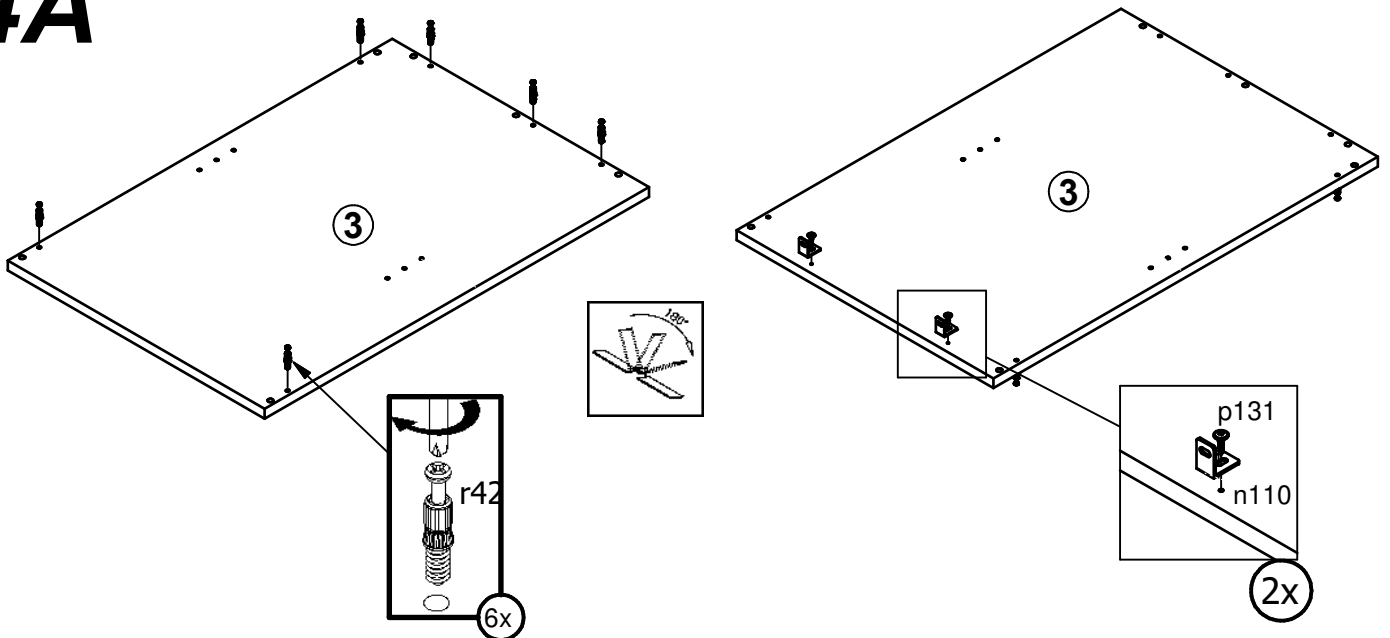
# 3A



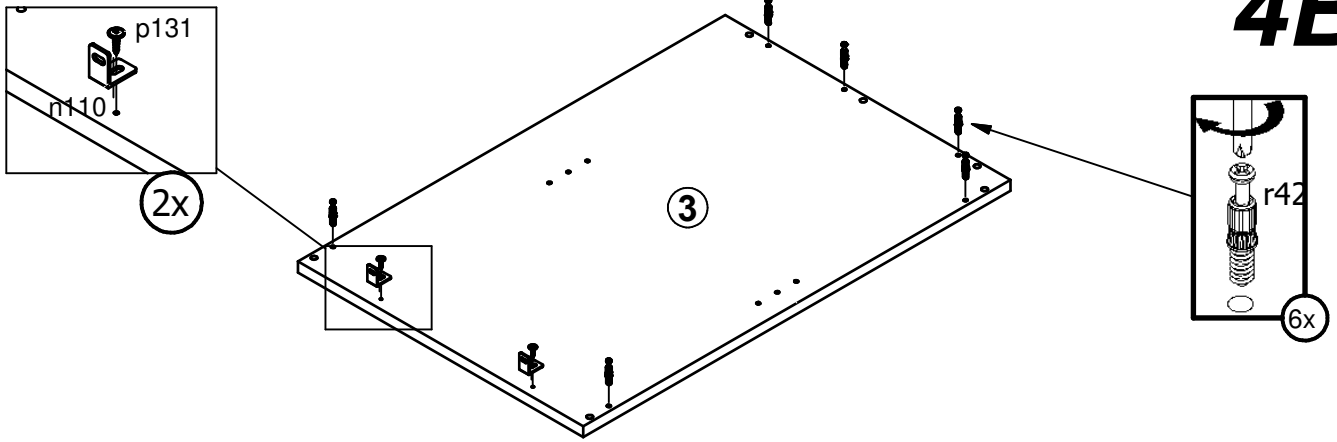
# 3B



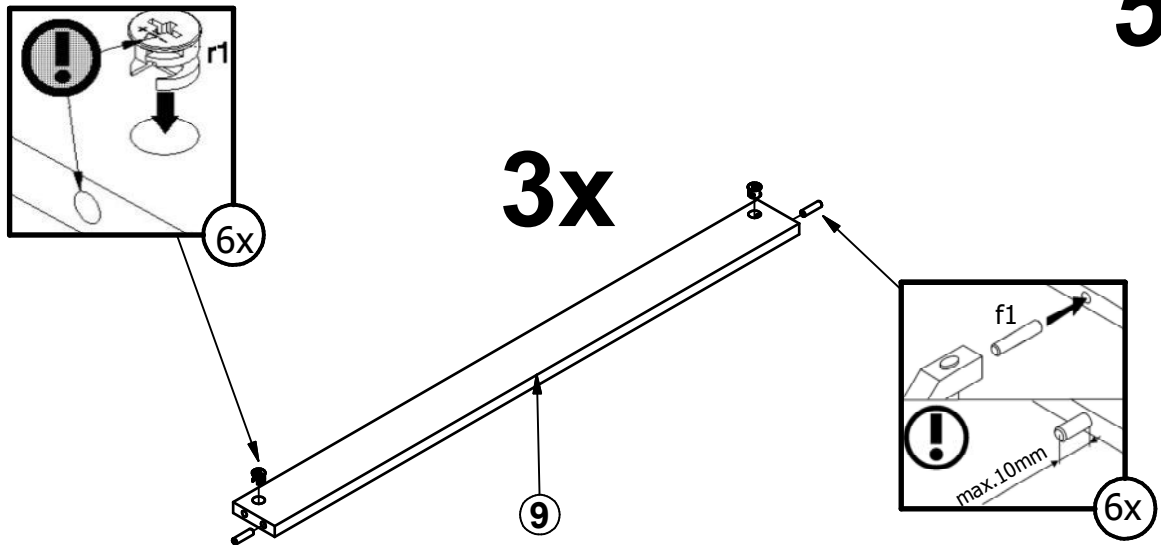
# 4A



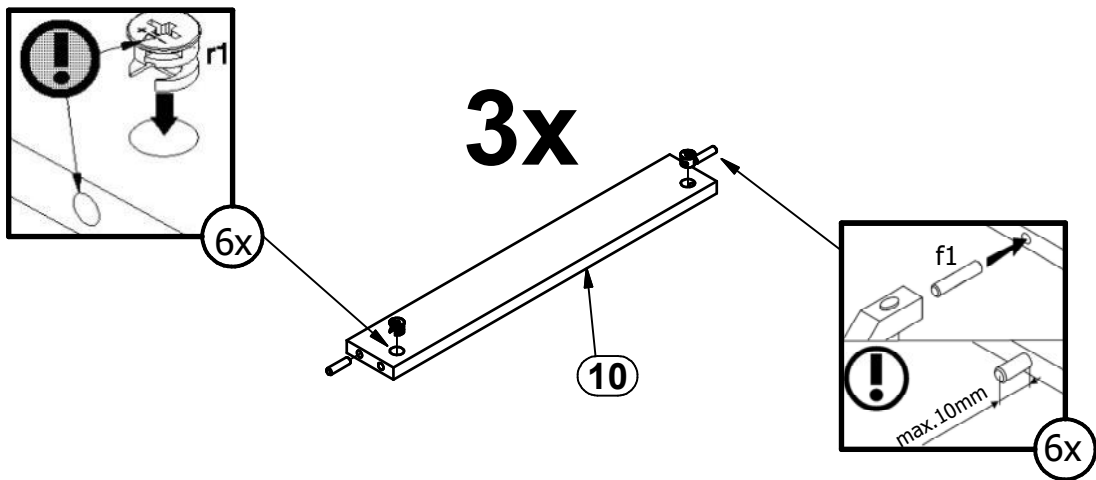
**4B**



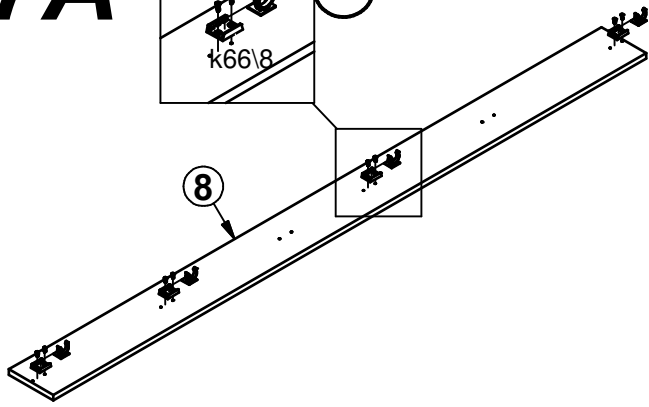
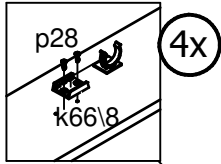
**5**



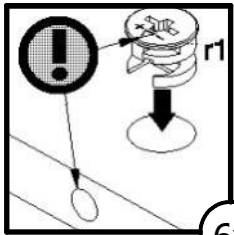
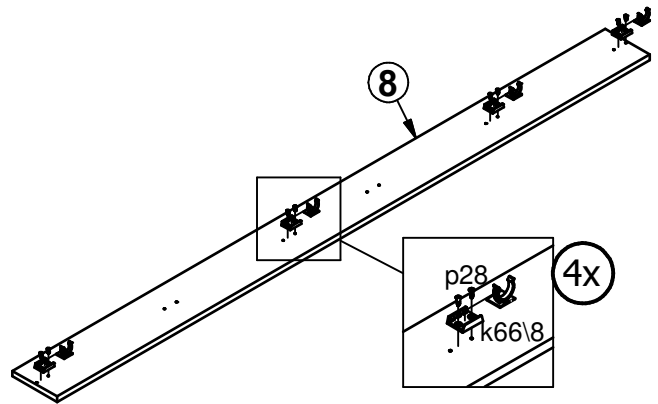
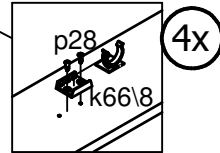
**6**



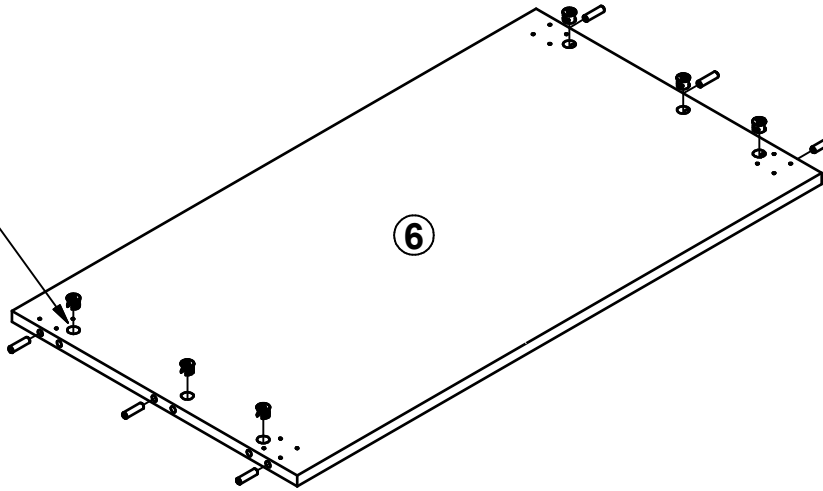
# 7A



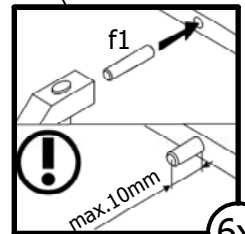
# 7B



6x

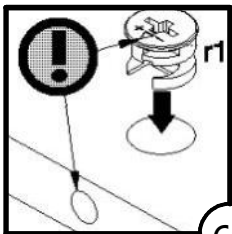


6

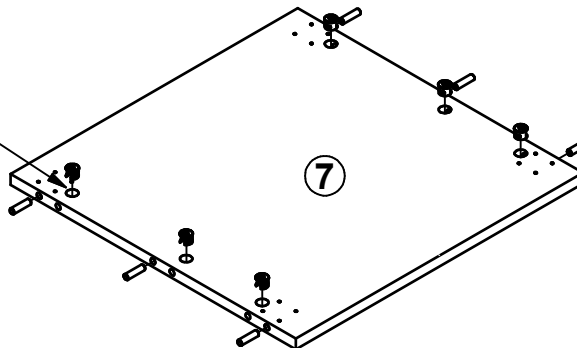


6x

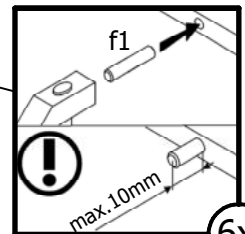
# 8



6x



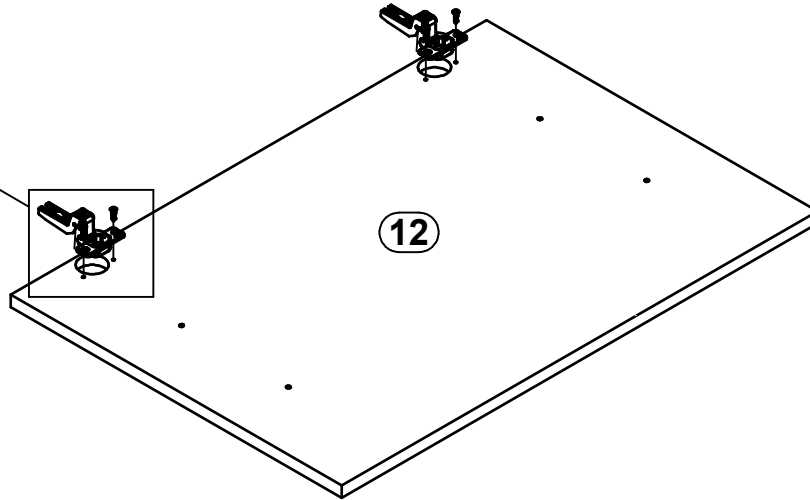
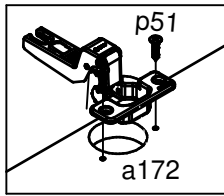
7



6x

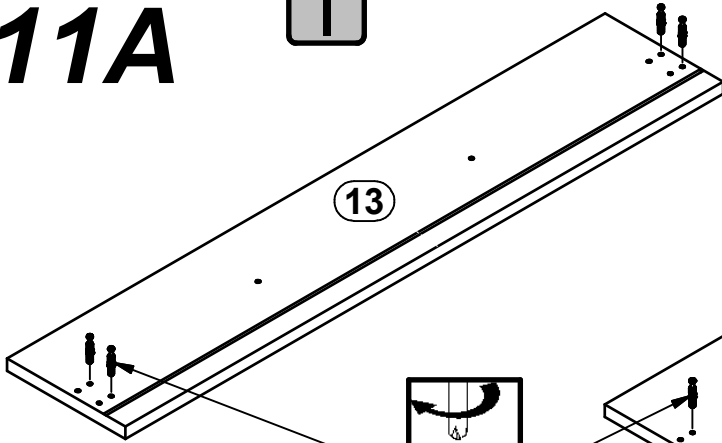
# 9



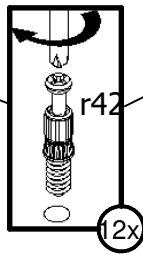
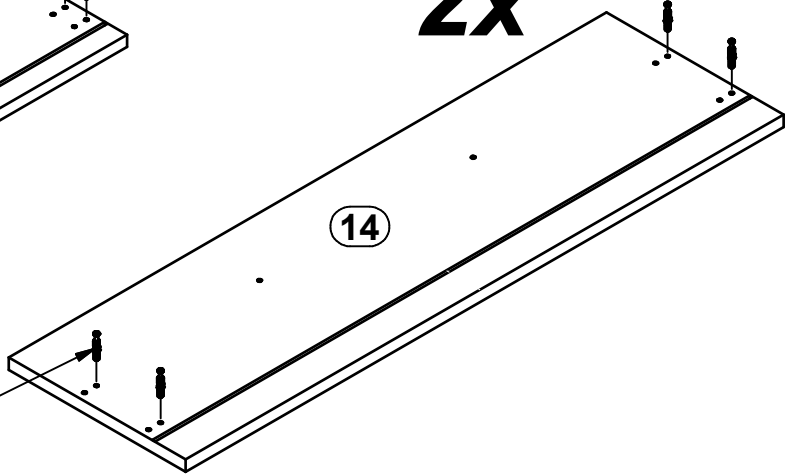


10

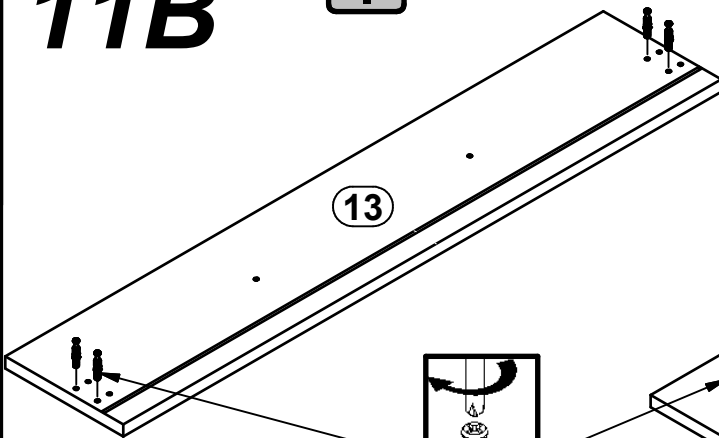
11A



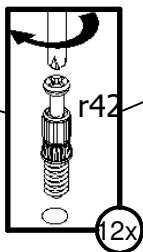
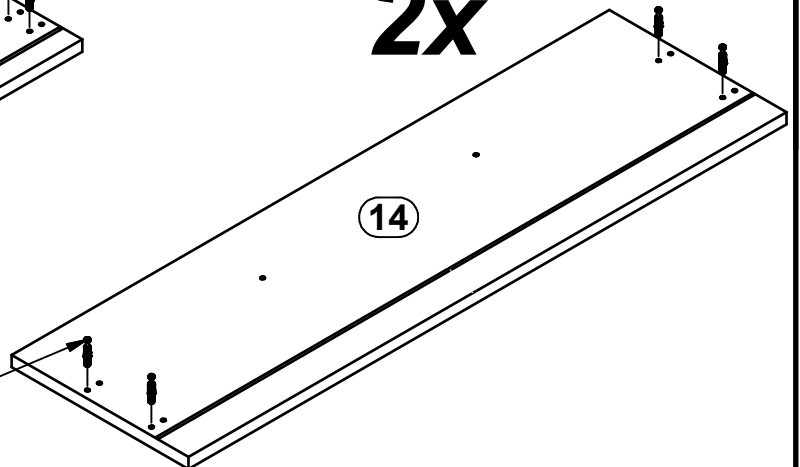
2x



11B

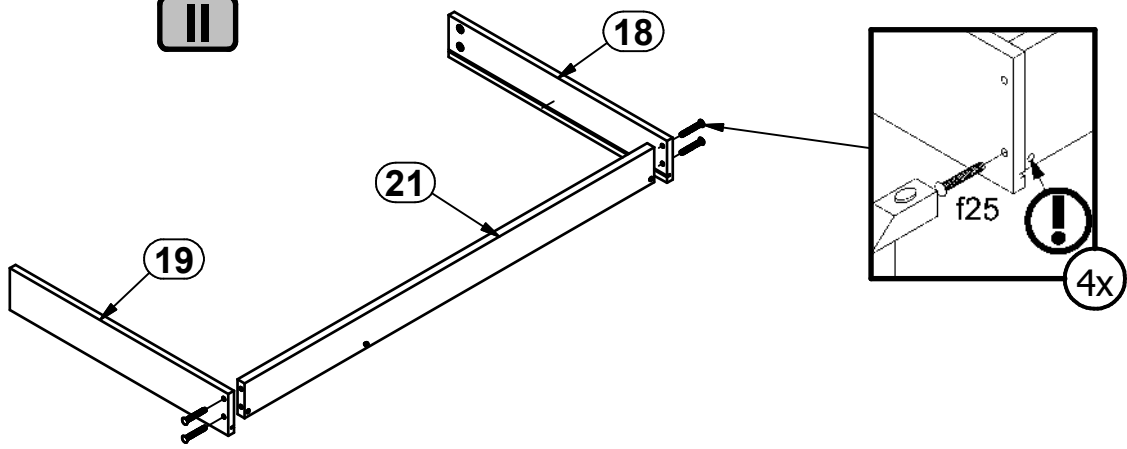


2x

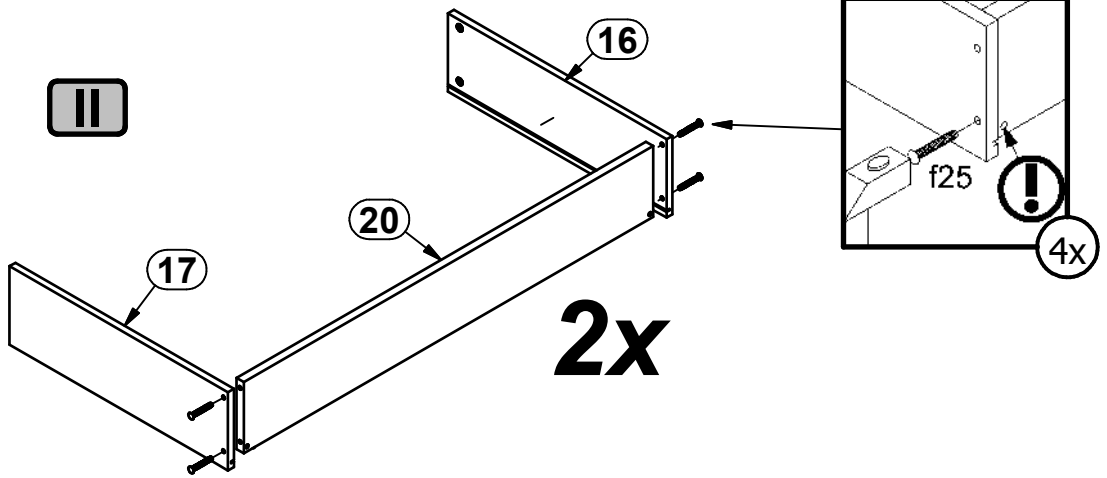


12

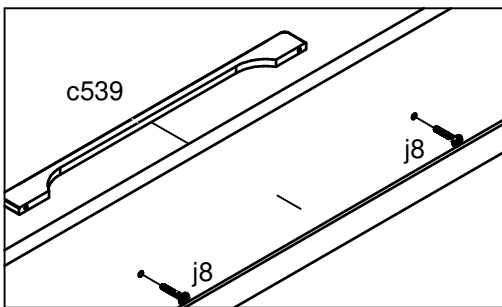
II



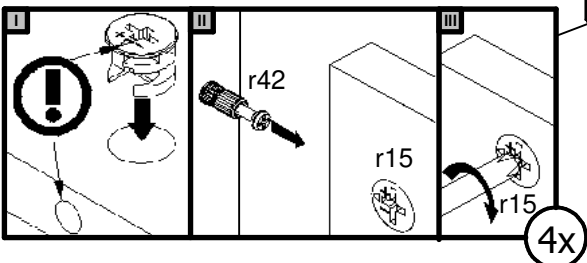
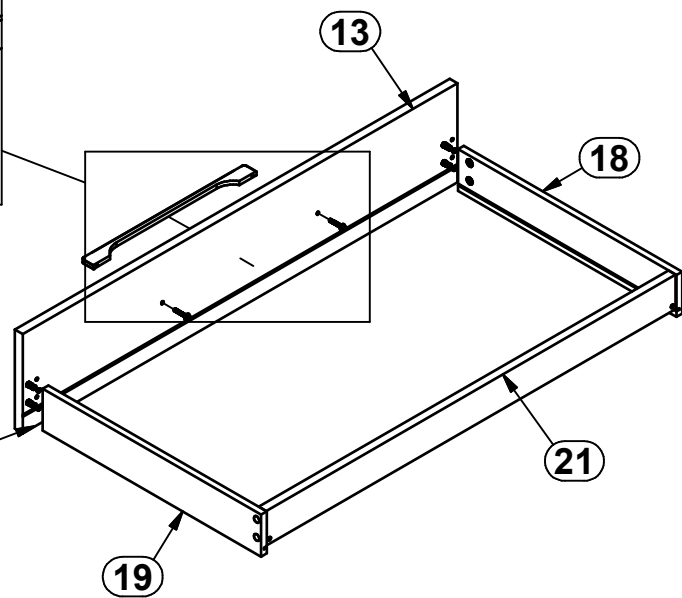
II



2x

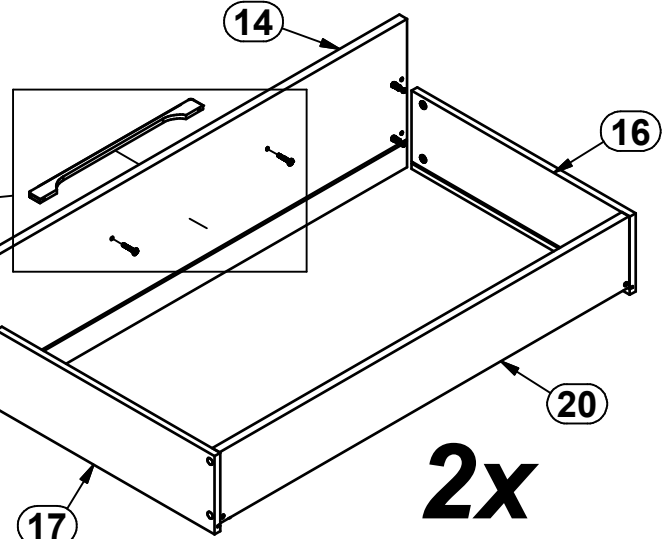
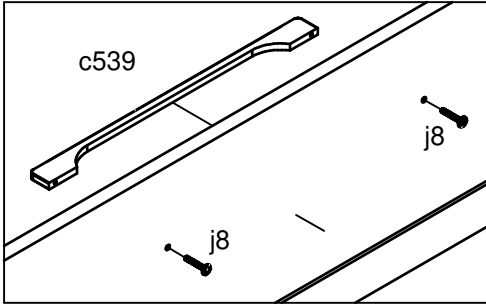


III

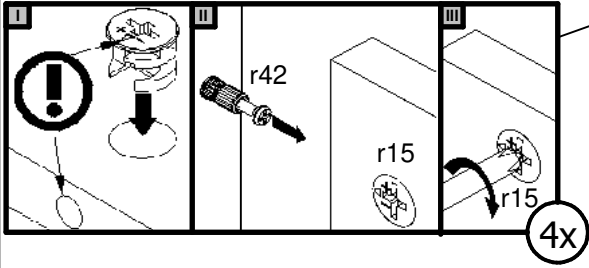


12

III

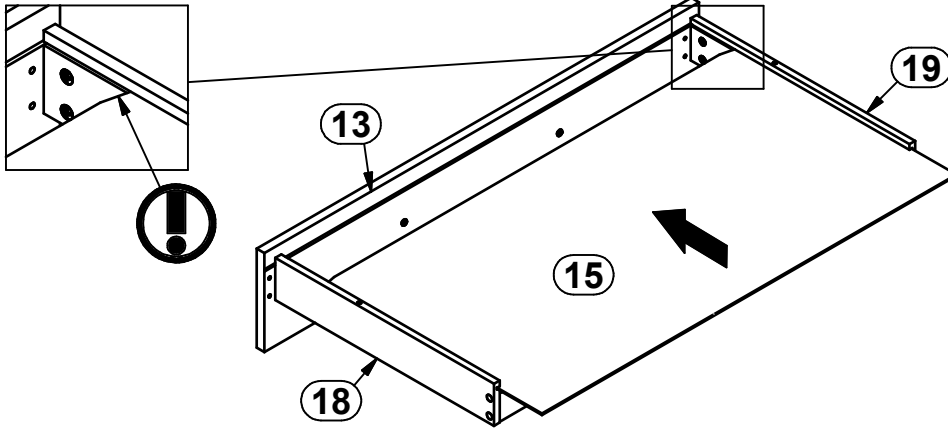


2x



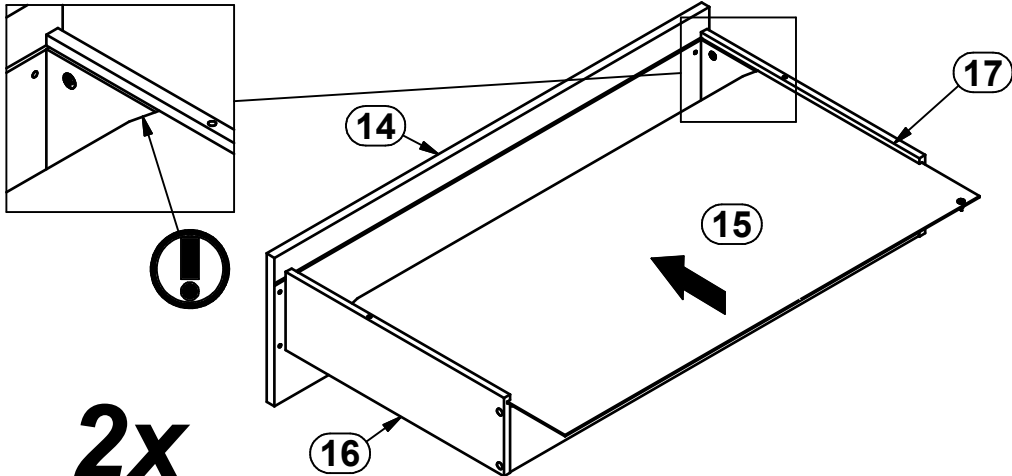
12

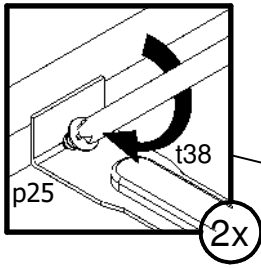
IV



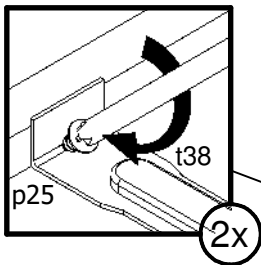
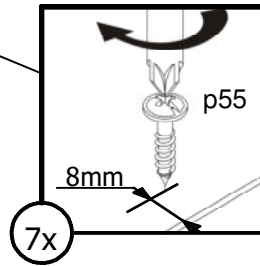
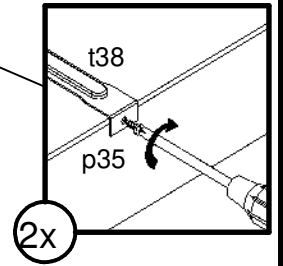
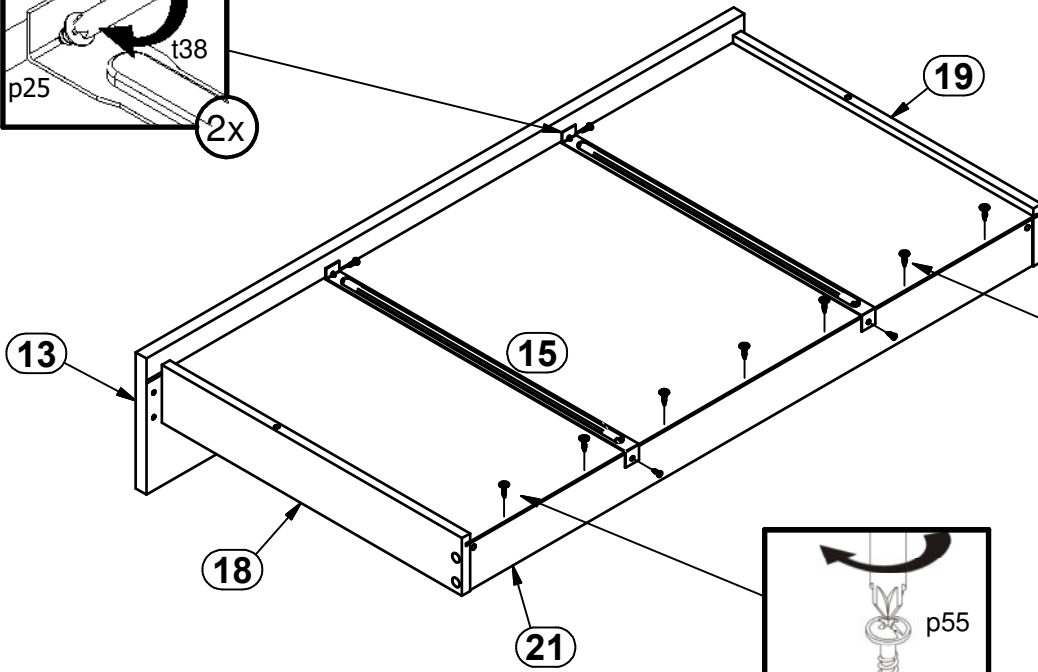
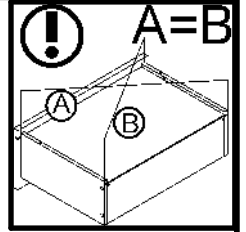
2x

IV

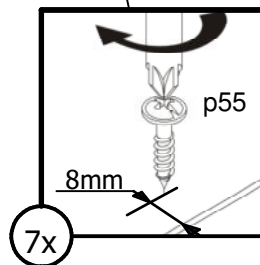
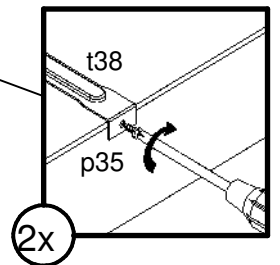
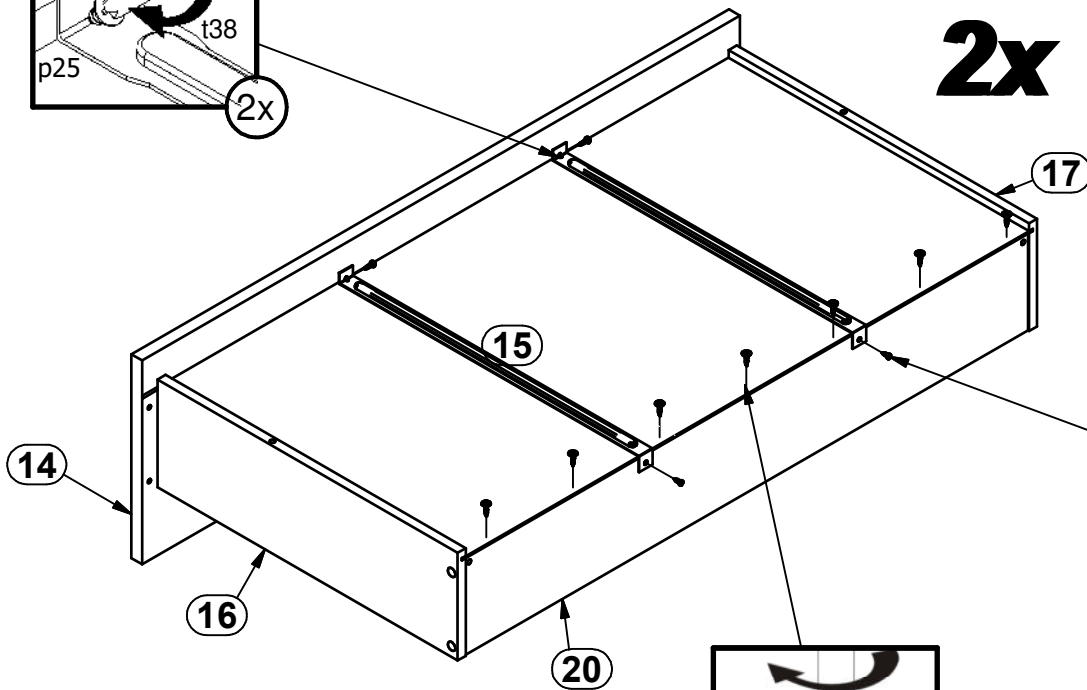




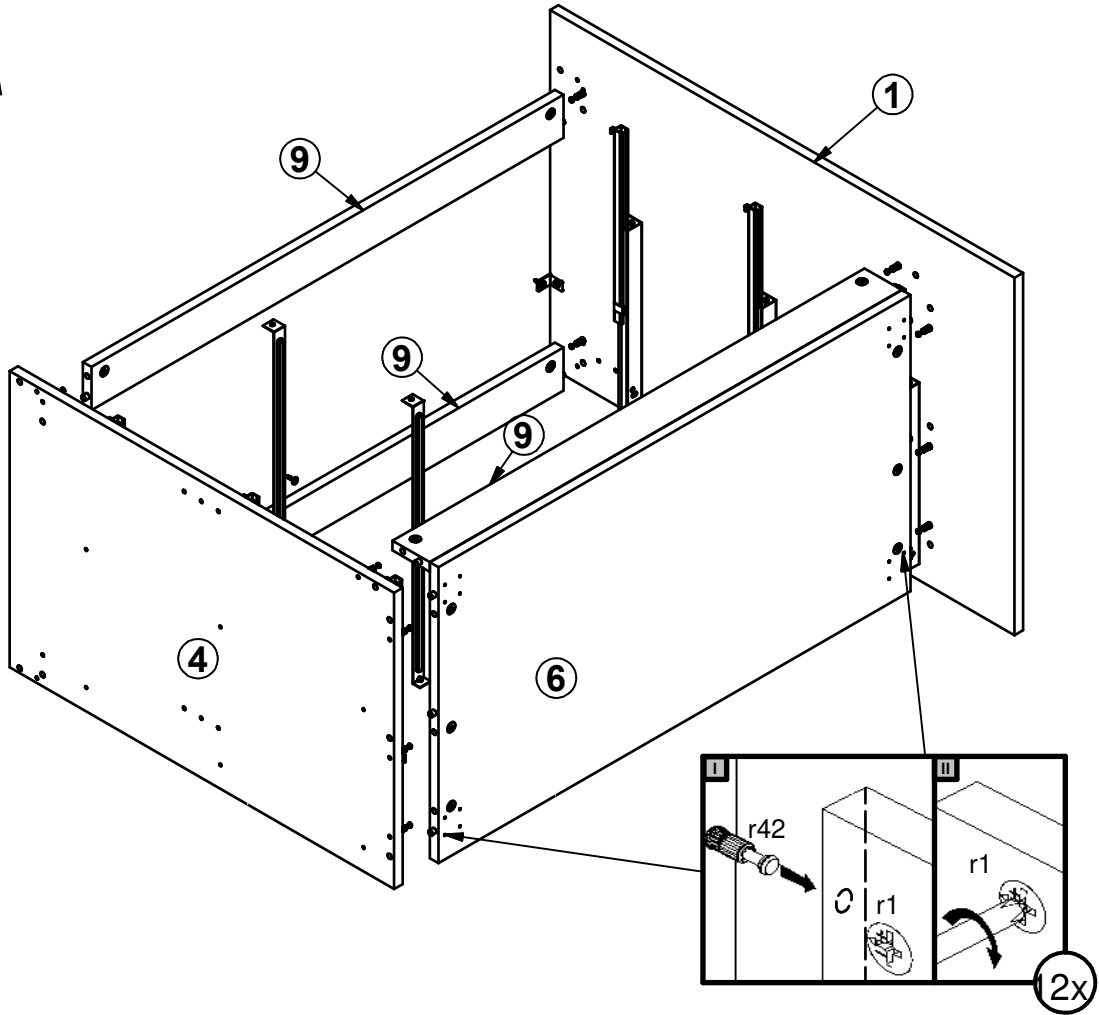
12



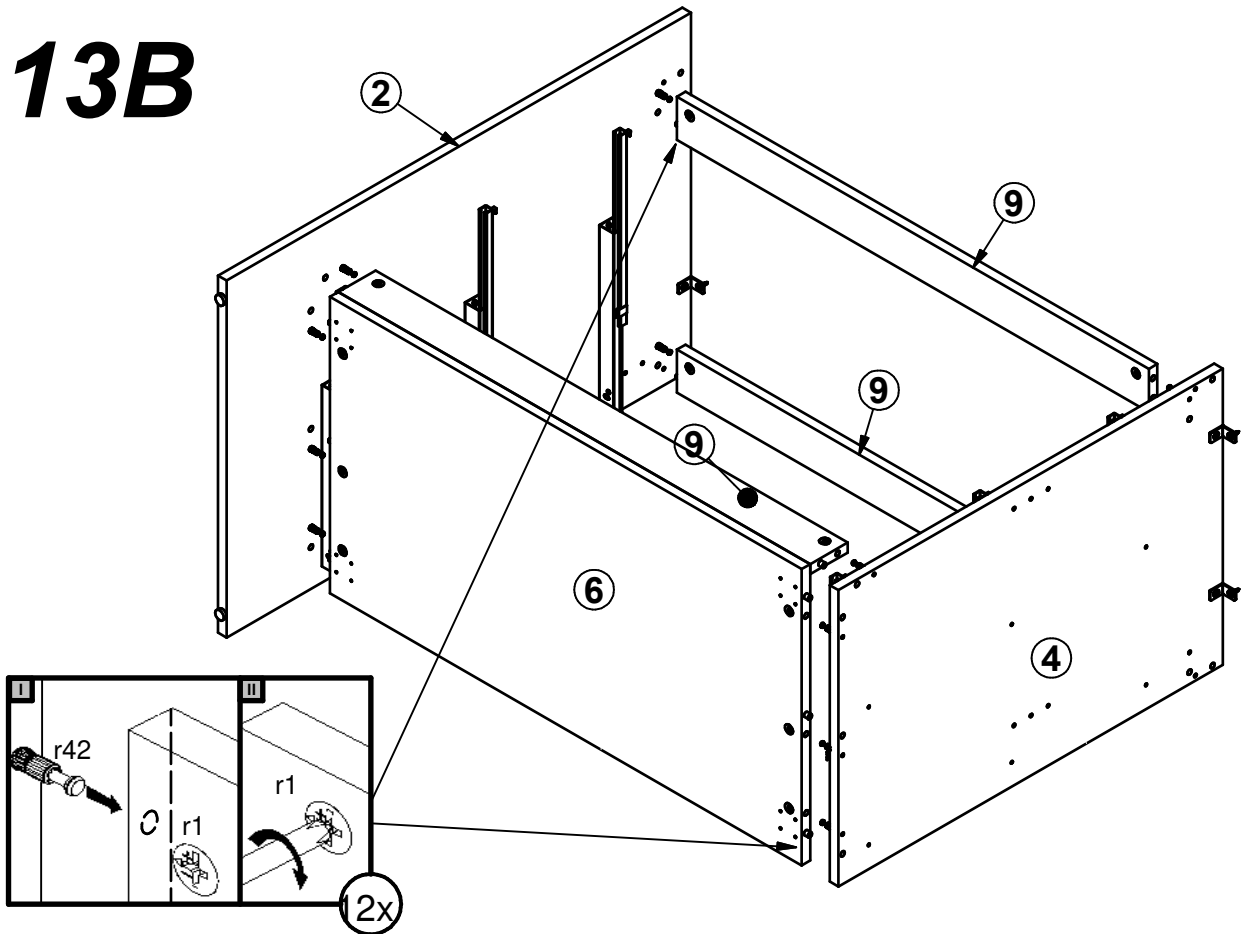
2x



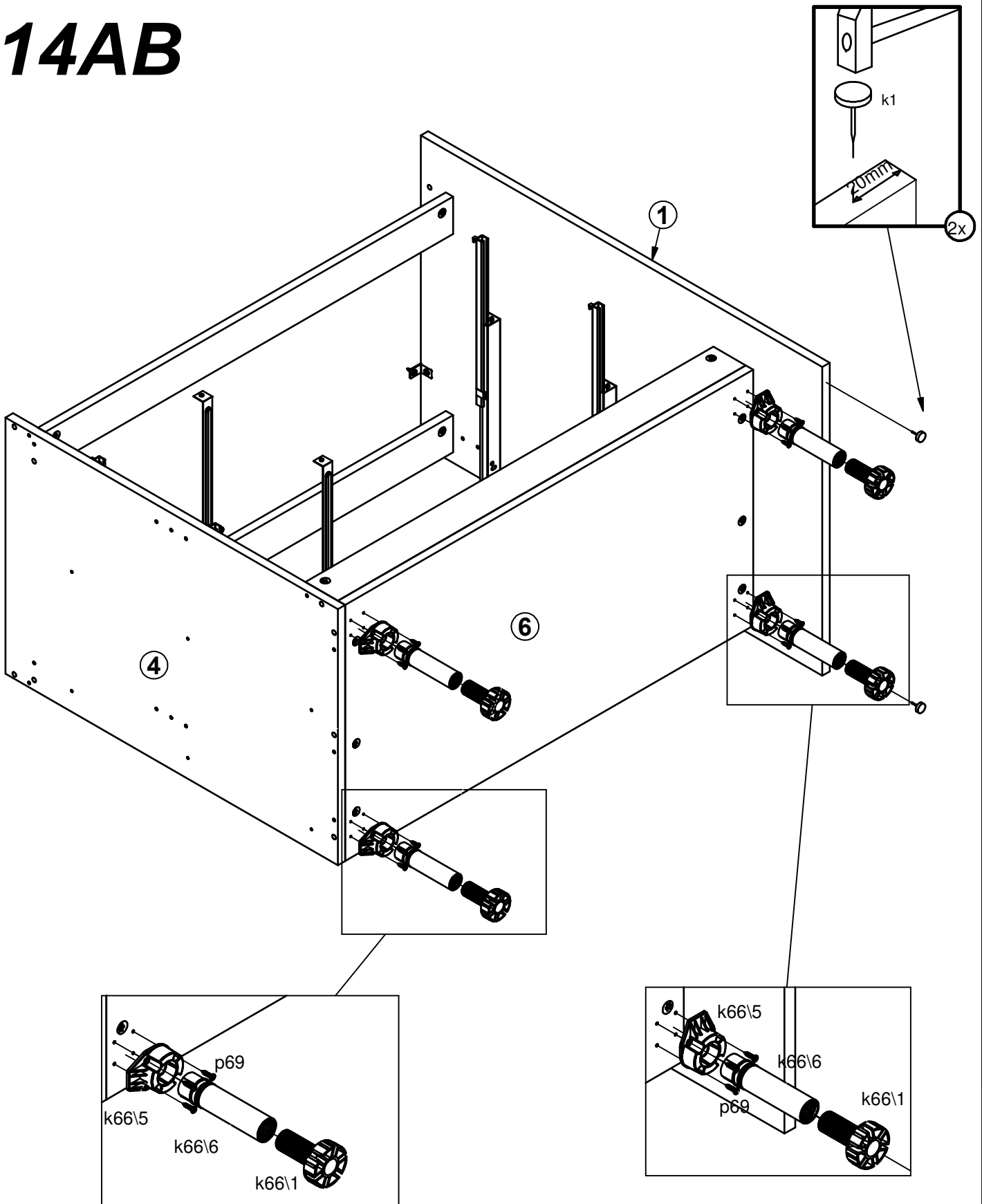
# 13A



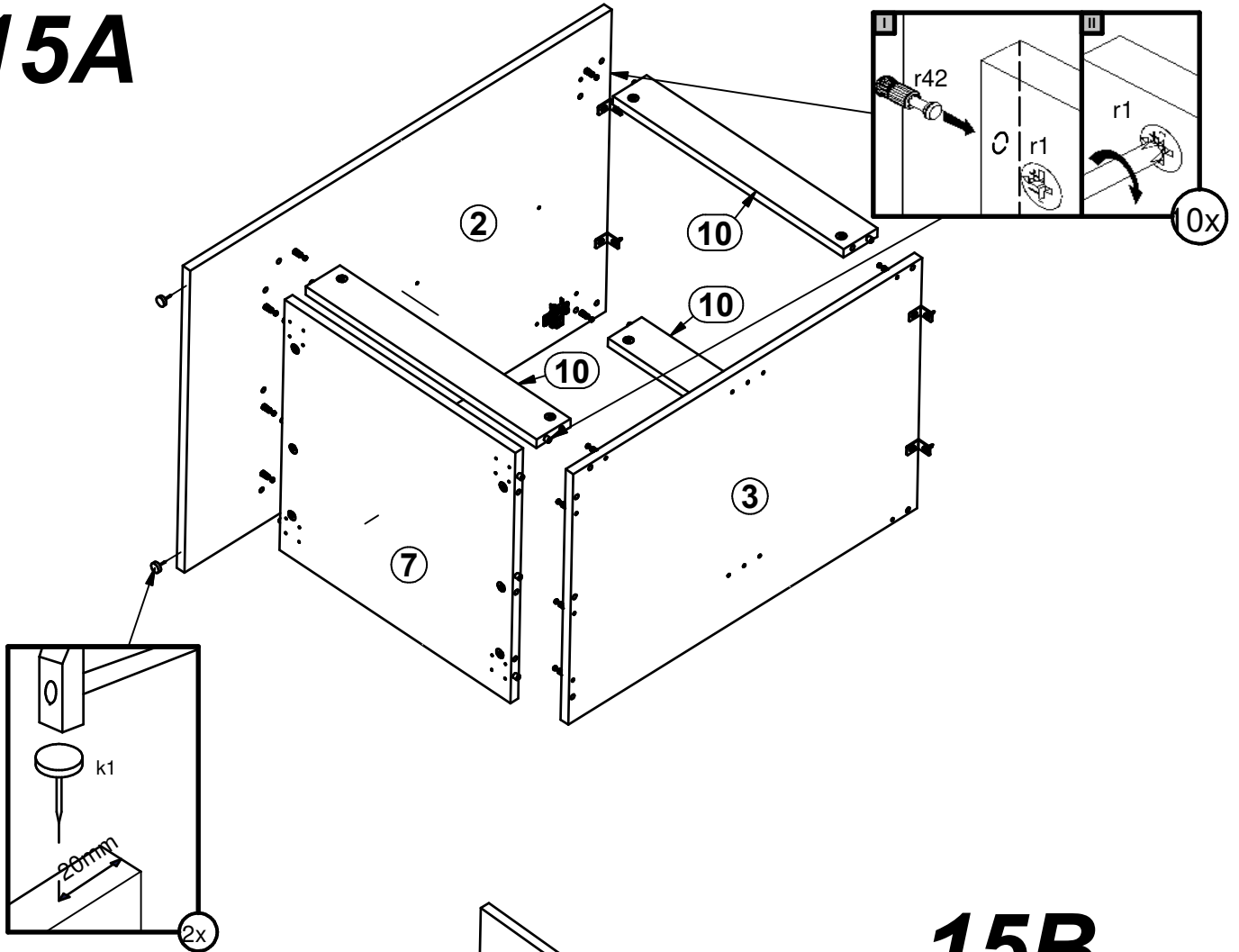
# 13B



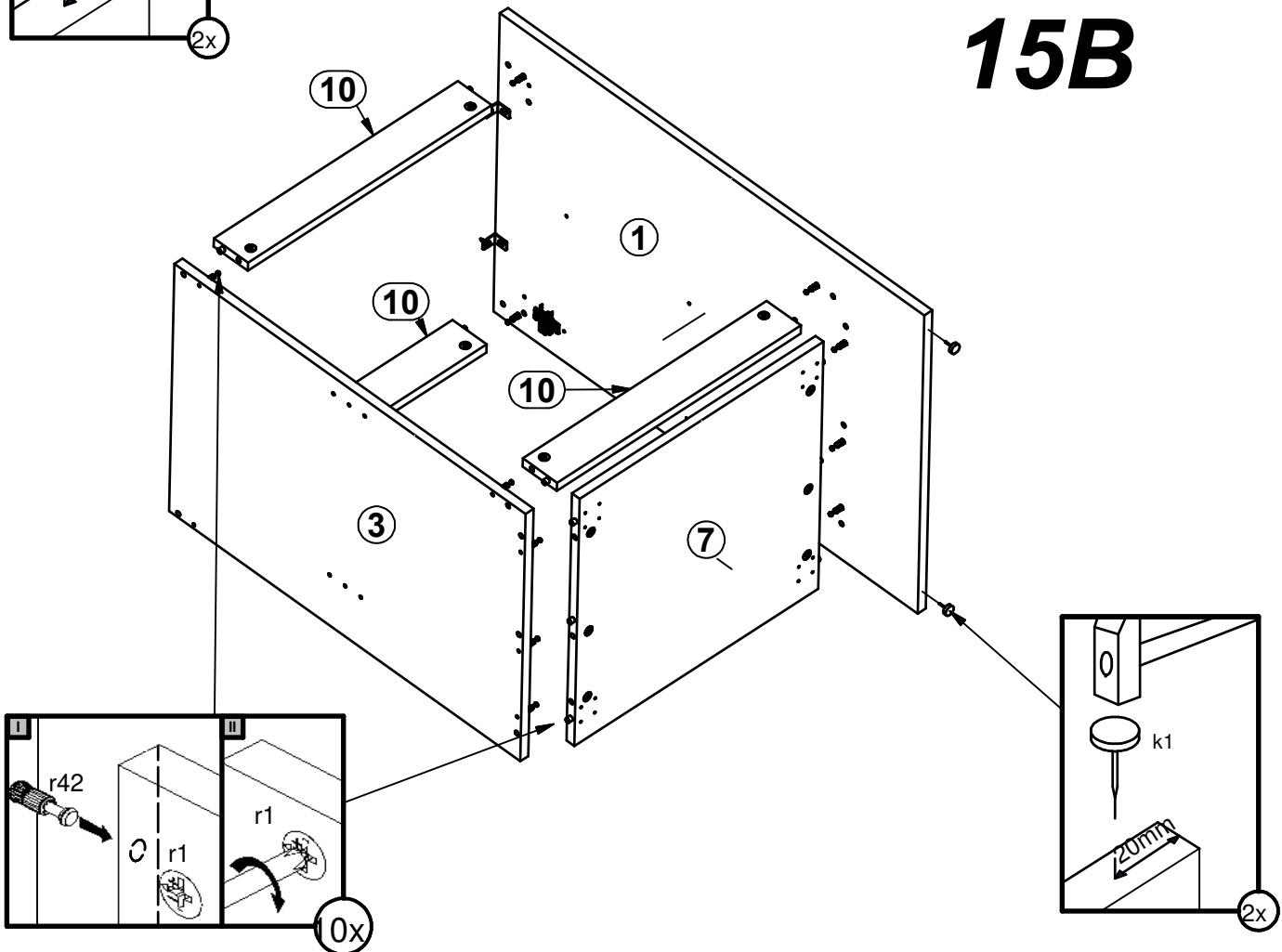
# 14AB



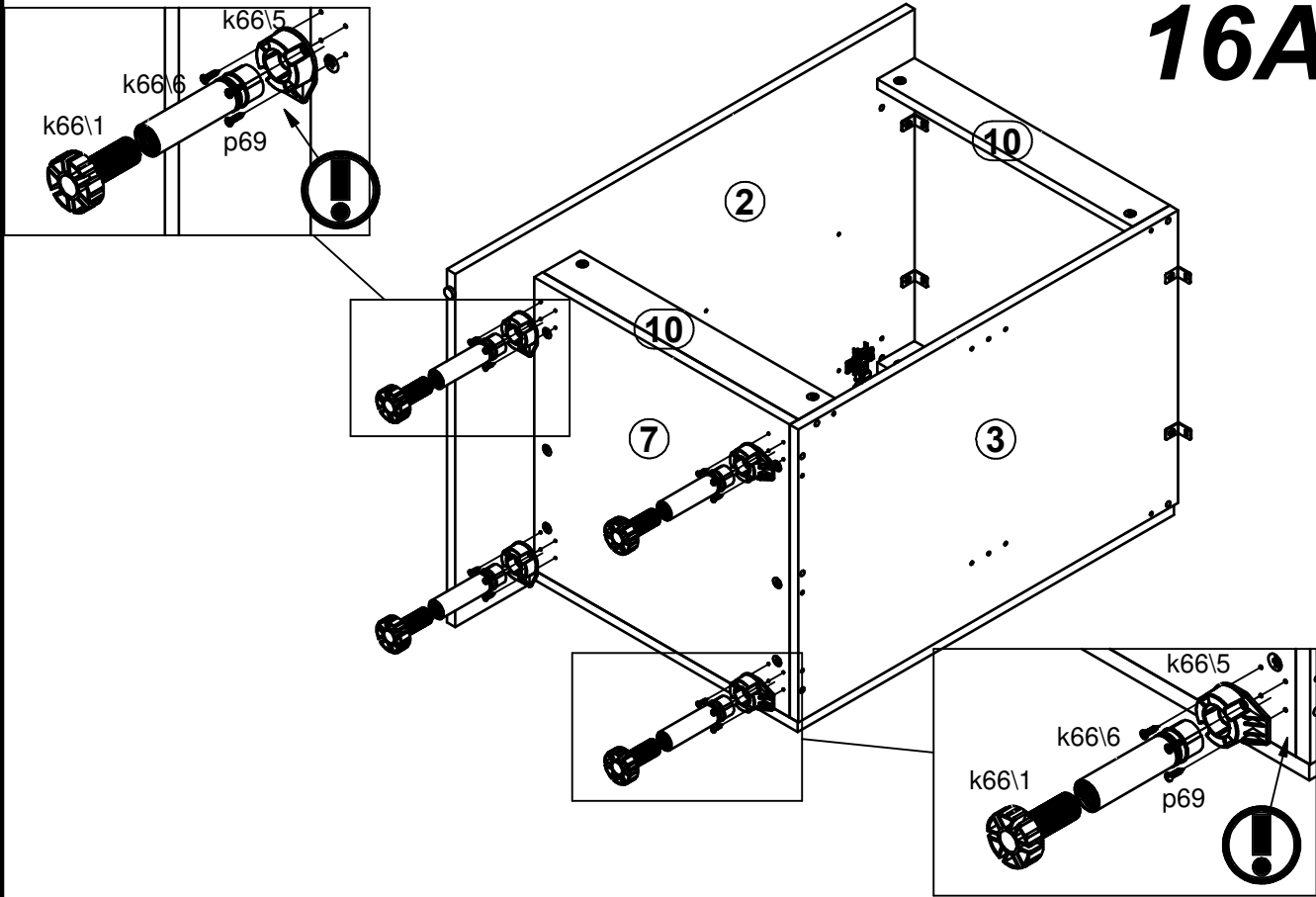
# 15A



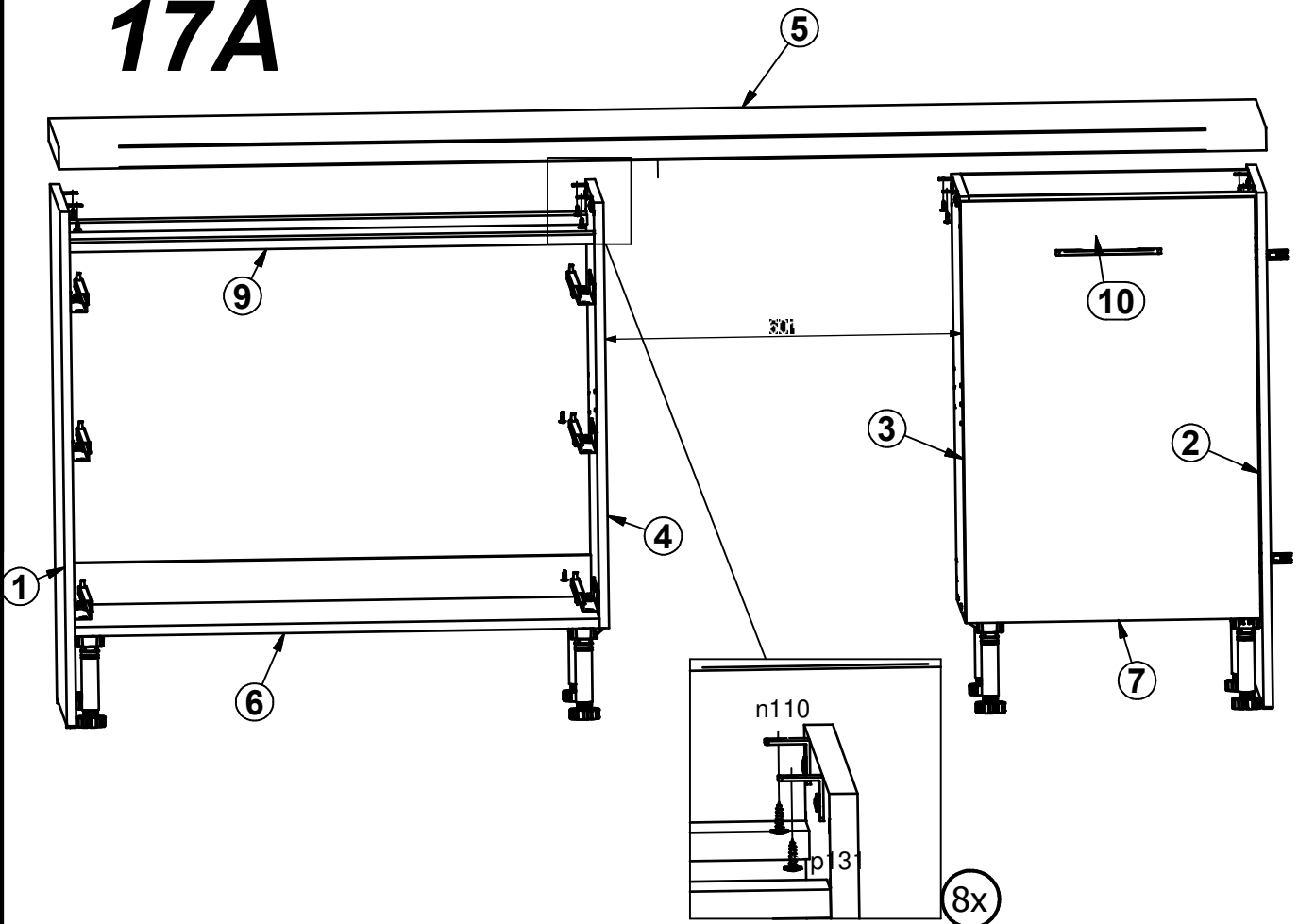
# 15B



# 16AB

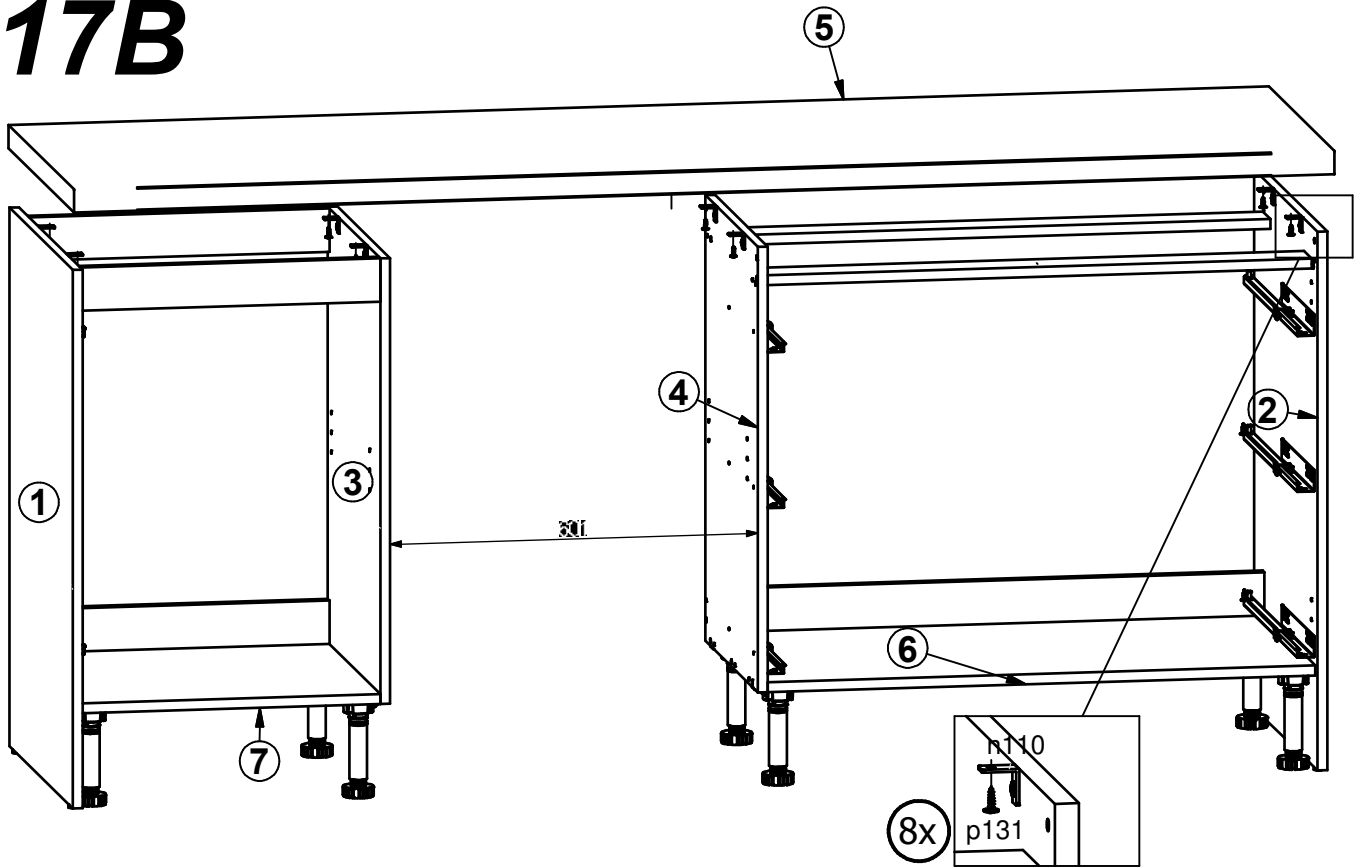


# 17A

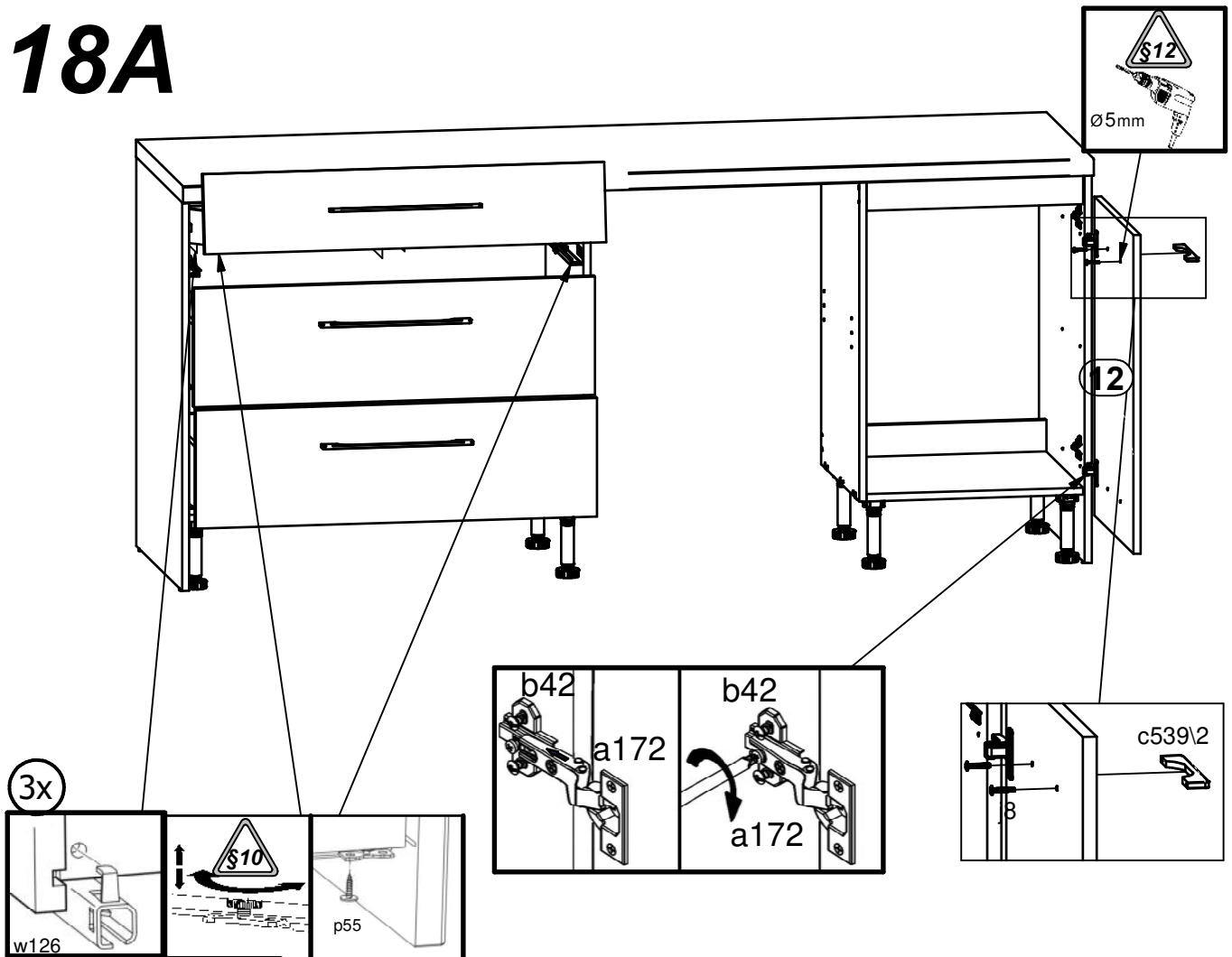




# 17B



# 18A

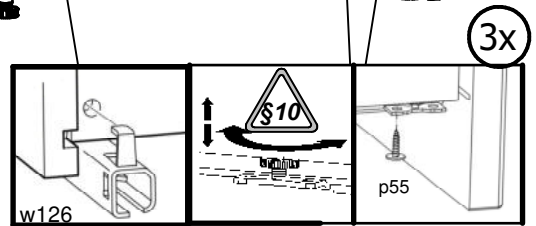
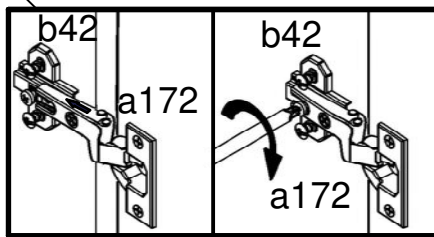
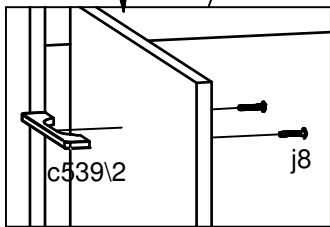
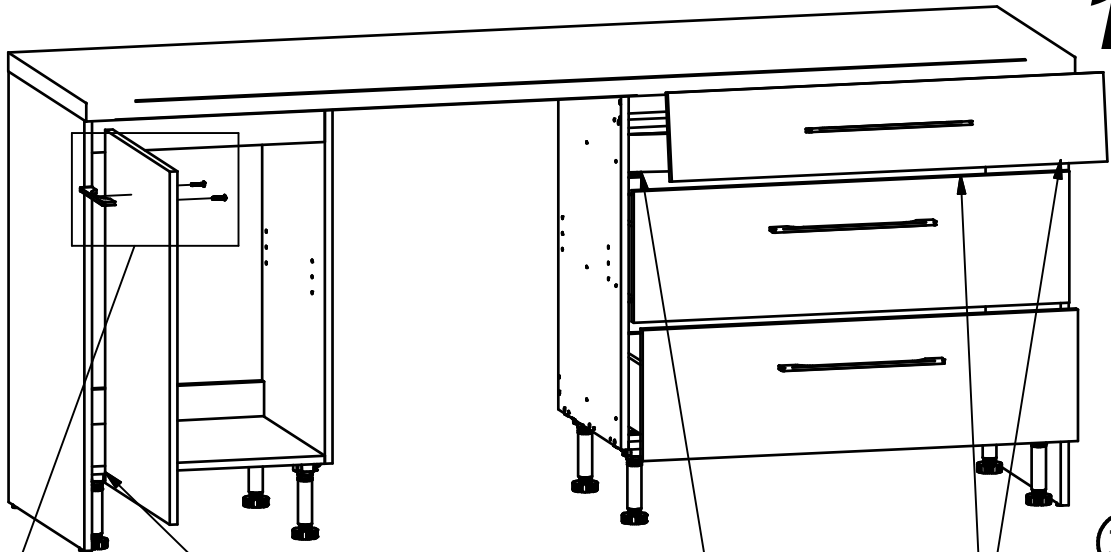


# 18B

# 14

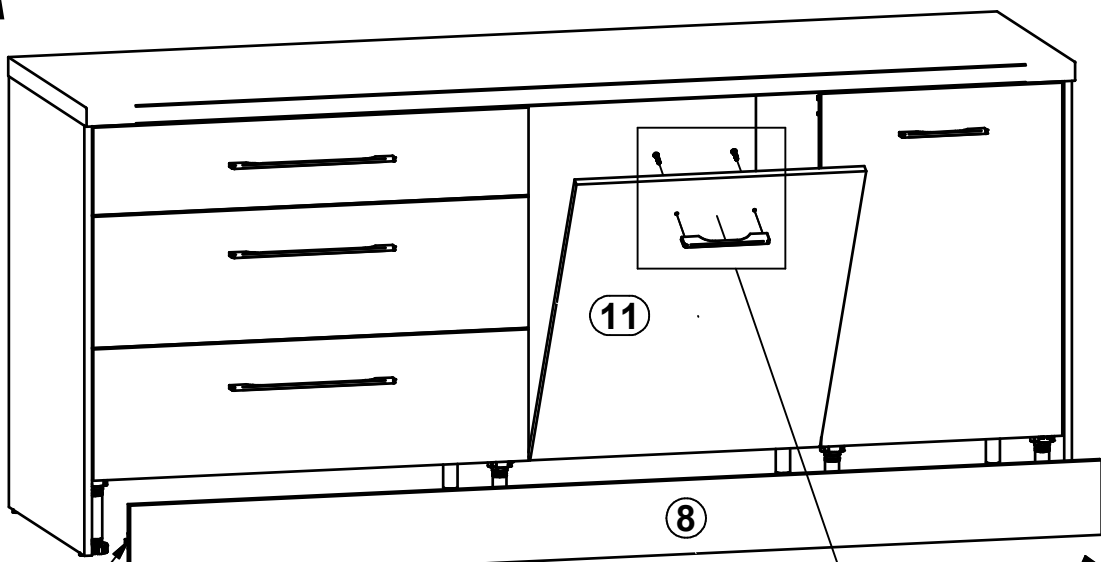


Ø5mm



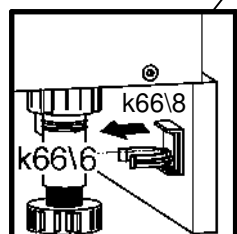
3x

# 19A

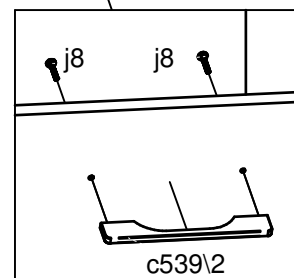


11

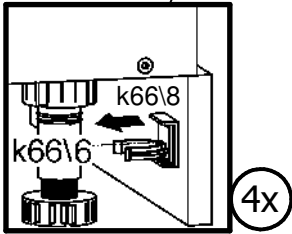
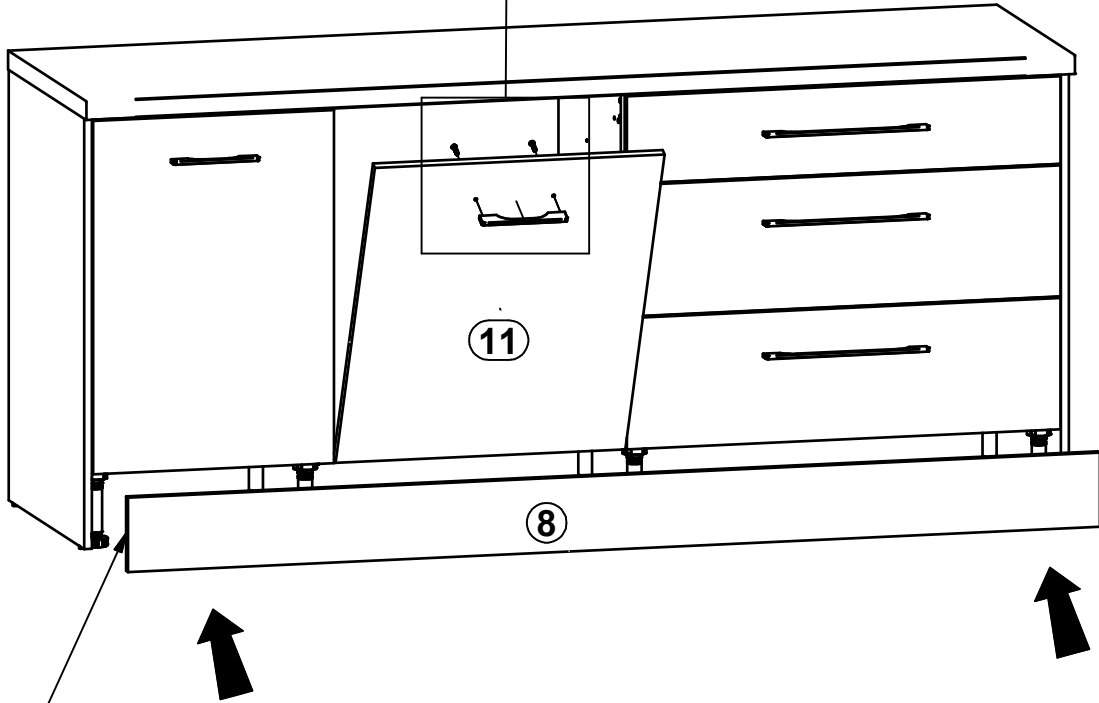
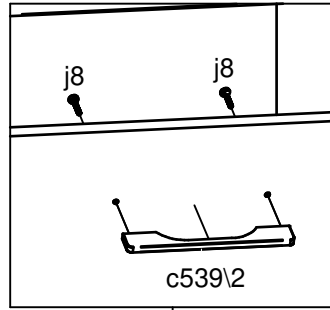
8



4x

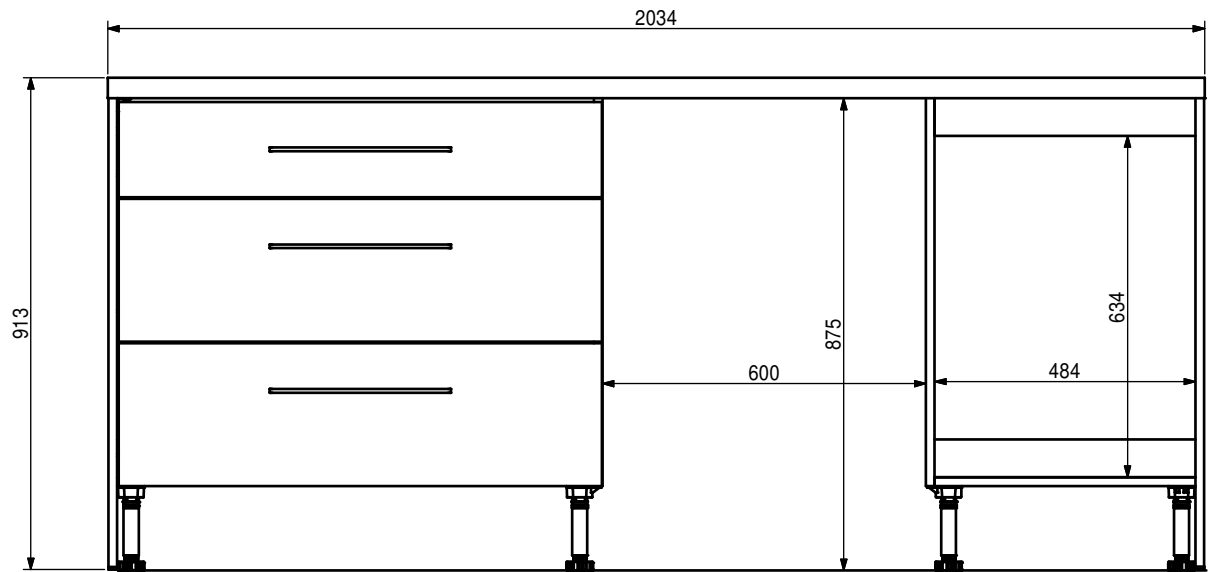


# 19B

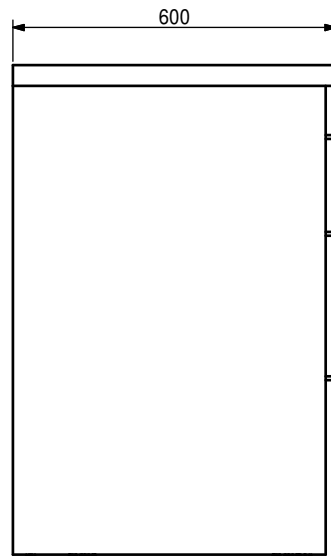
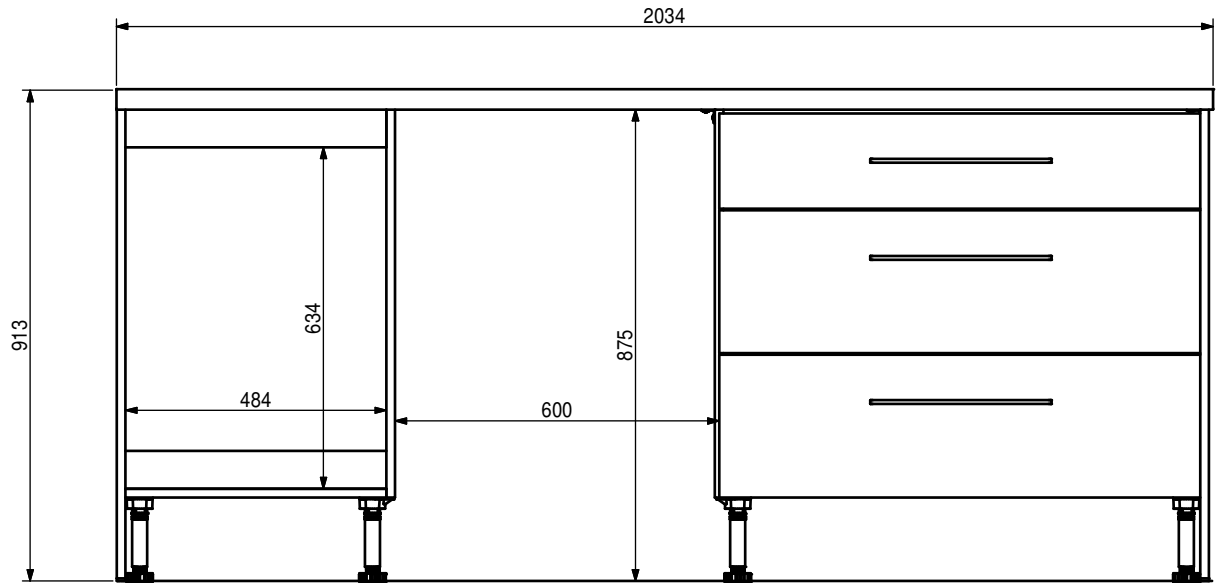


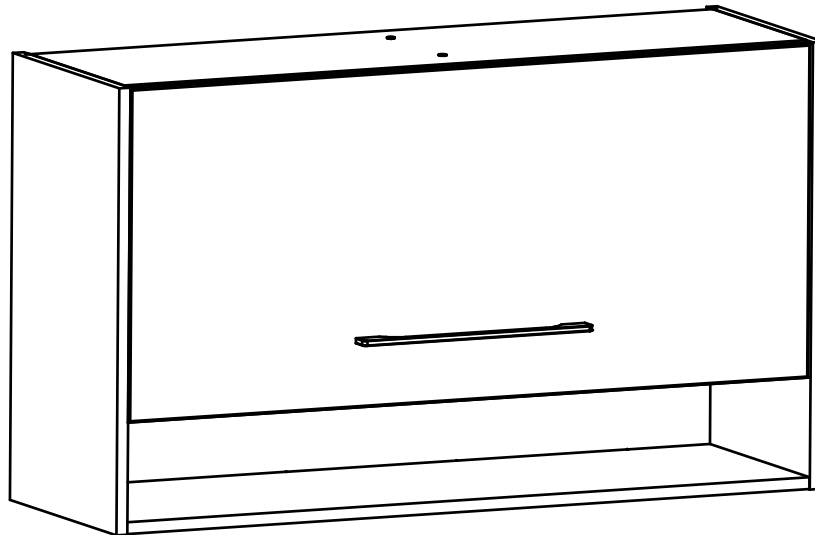
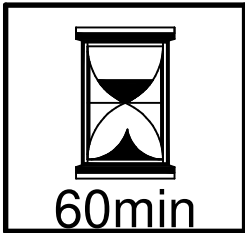
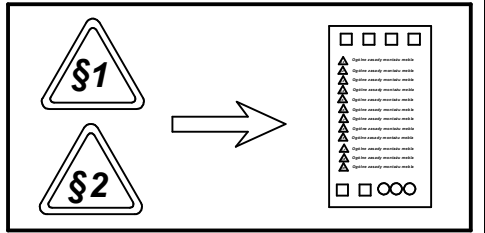
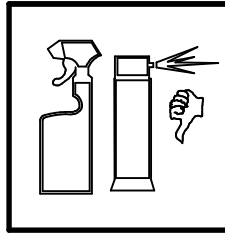
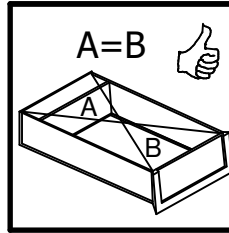
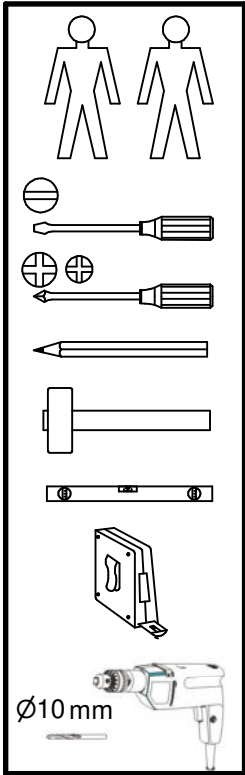
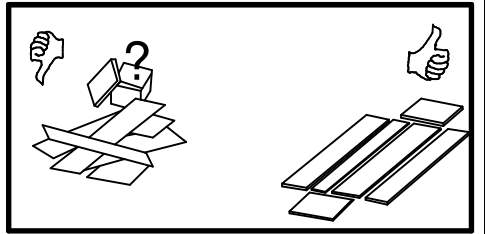
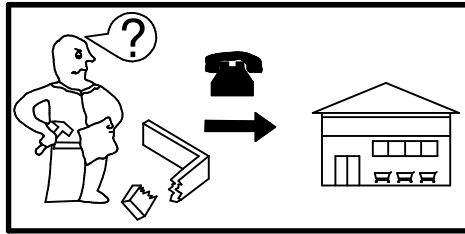
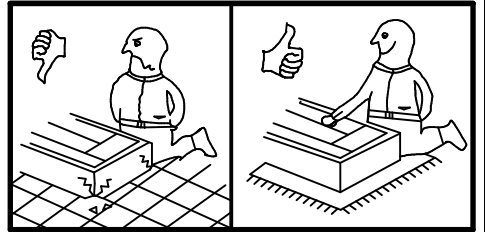
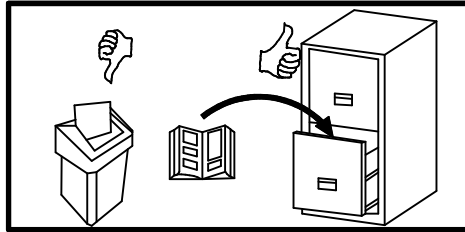
|  |  |  |  |  |
|--|--|--|--|--|
|  |  |  |  |  |
|--|--|--|--|--|

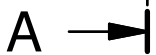
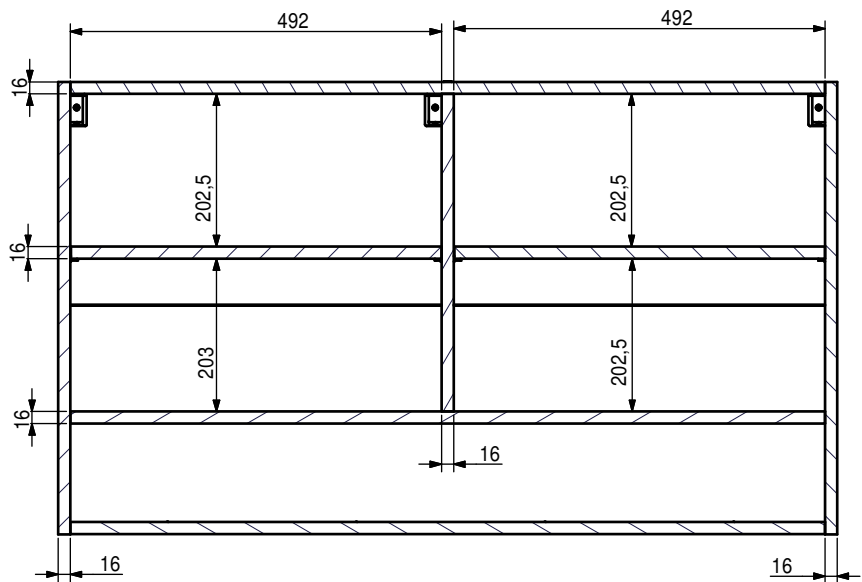
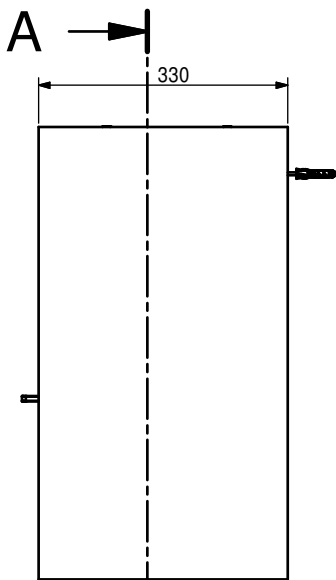
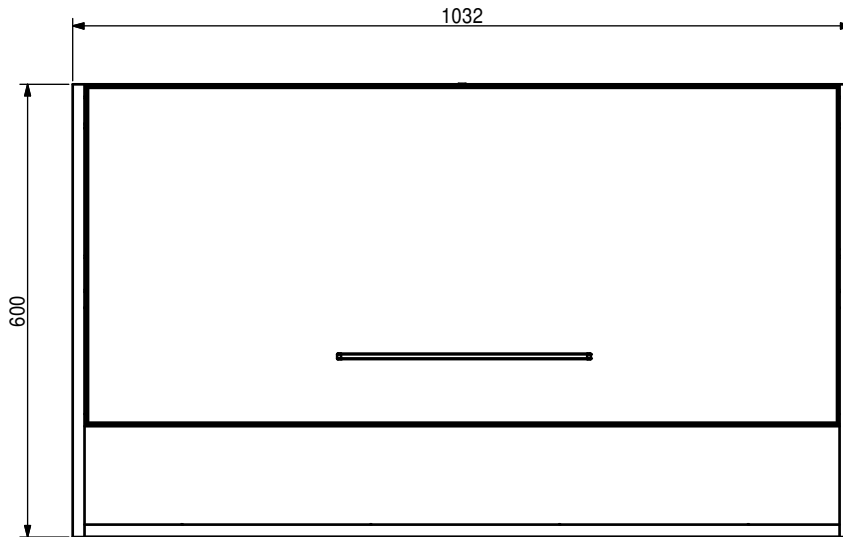
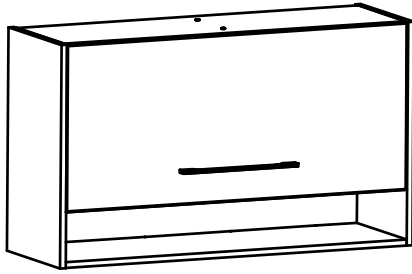
A

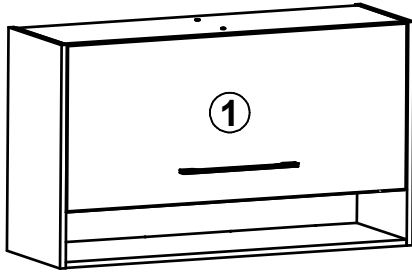


B

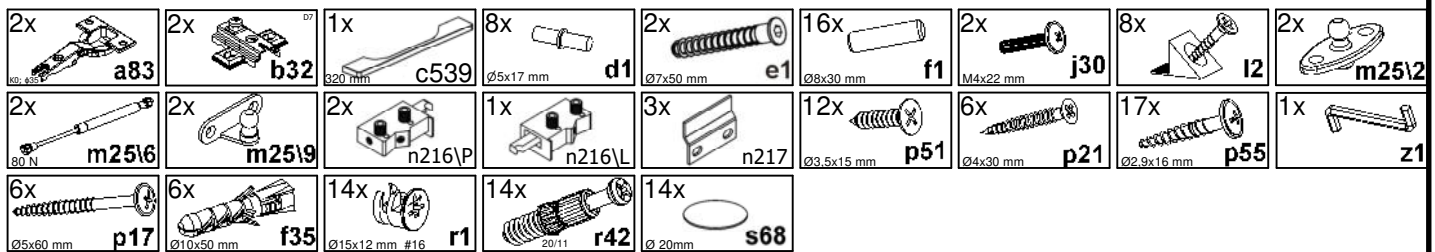
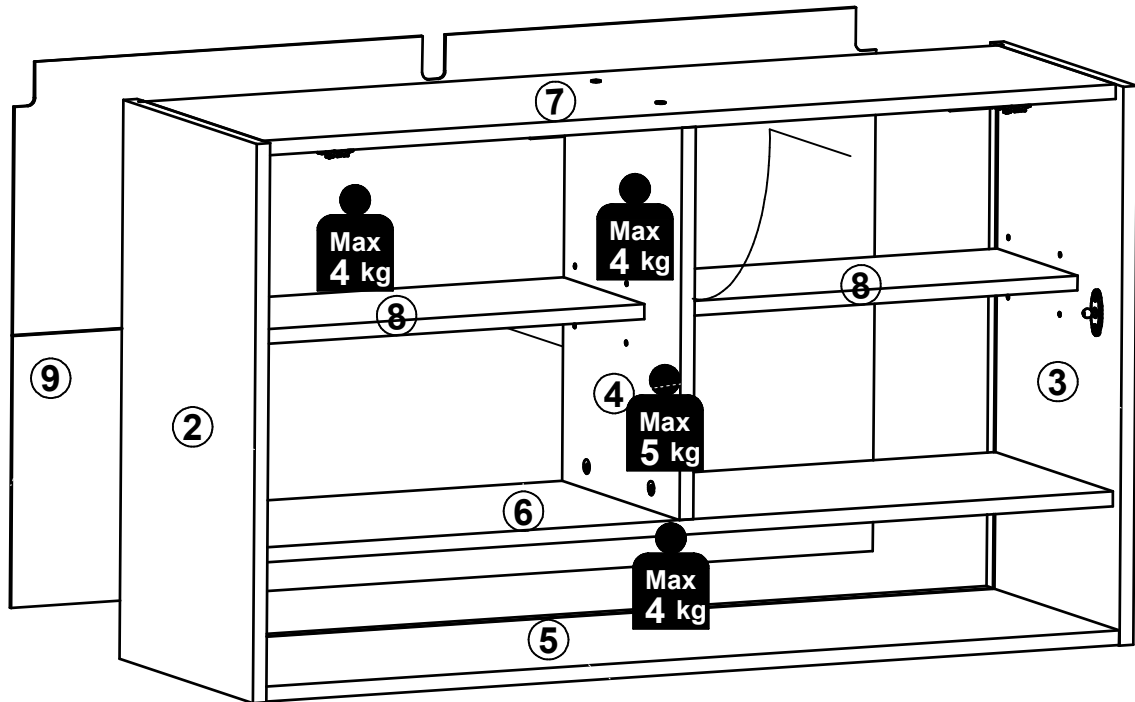




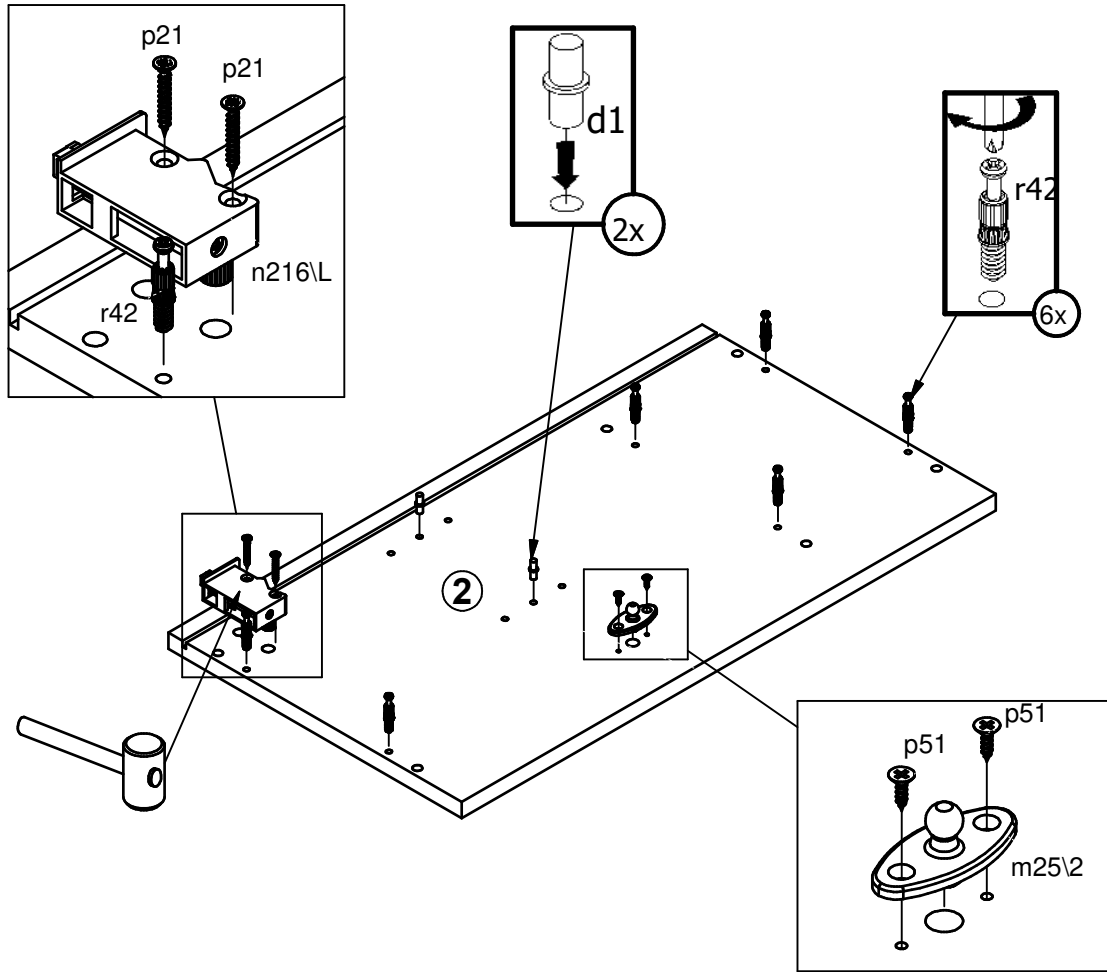




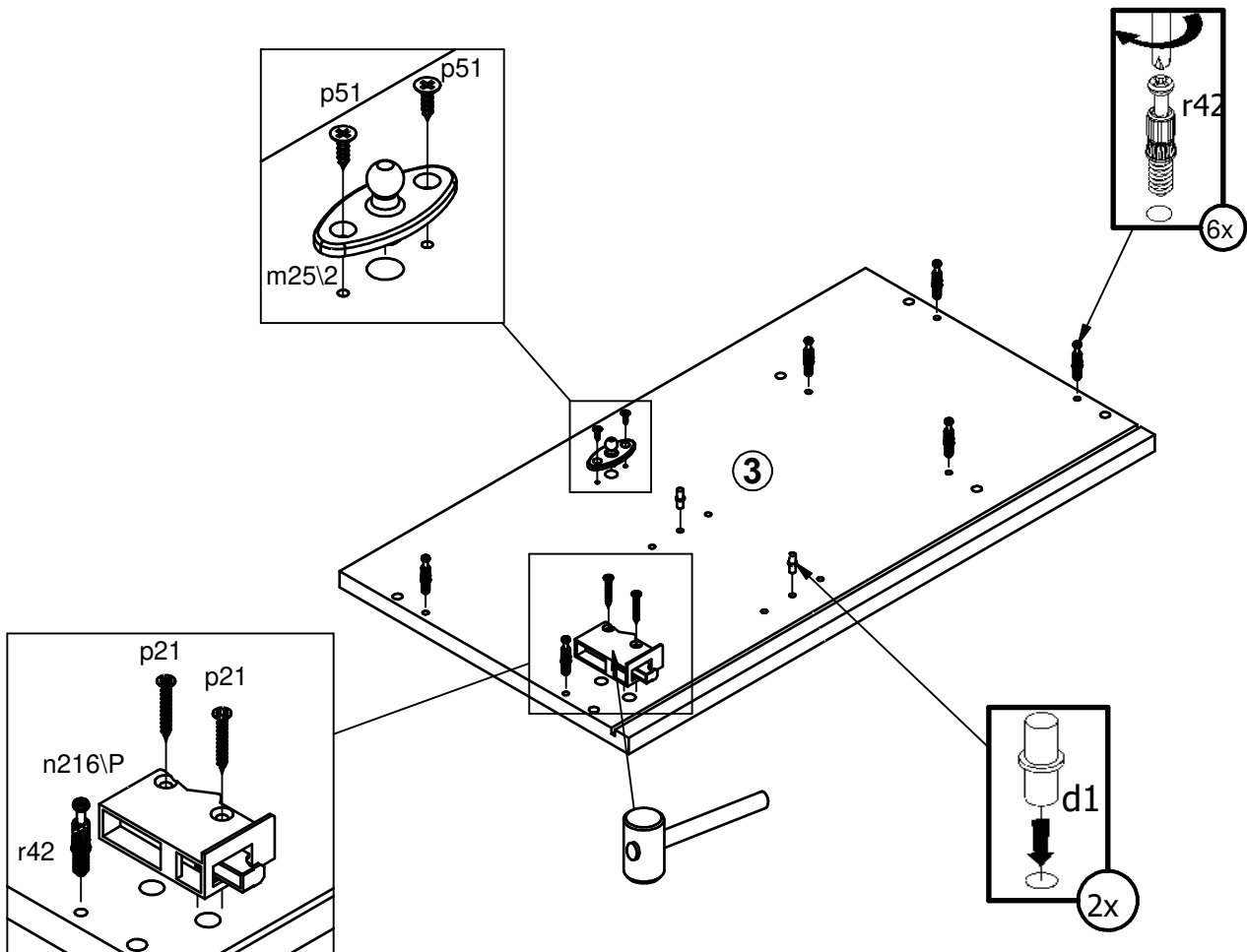
| A | B         | C1   | C2  | C3  | D   |
|---|-----------|------|-----|-----|-----|
| 1 | S540-0006 | 996  | 448 | 16  | 1/2 |
| 2 | S540-1008 | 600  | 330 | 16  | 2/2 |
| 3 | S540-1009 | 600  | 330 | 16  | 1/2 |
| 4 | S540-1019 | 421  | 291 | 16  | 2/2 |
| 5 | S540-3006 | 1000 | 329 | 16  | 1/2 |
| 6 | S540-3007 | 1000 | 291 | 16  | 1/2 |
| 7 | S540-3015 | 1000 | 291 | 16  | 1/2 |
| 8 | S540-3020 | 491  | 200 | 16  | 2/2 |
| 9 | S540-9301 | 1010 | 585 | 2.5 | 1/2 |



1

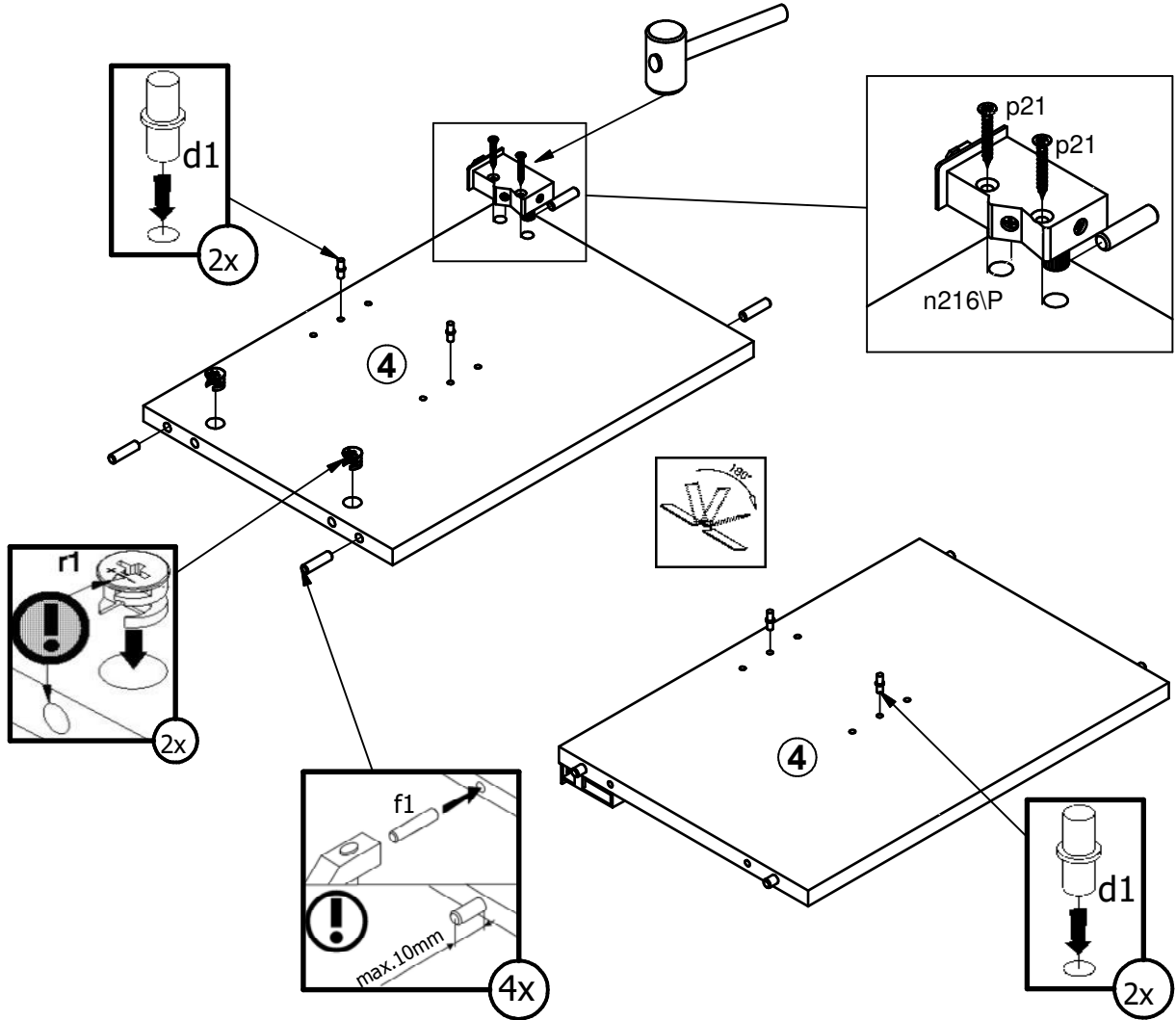


2

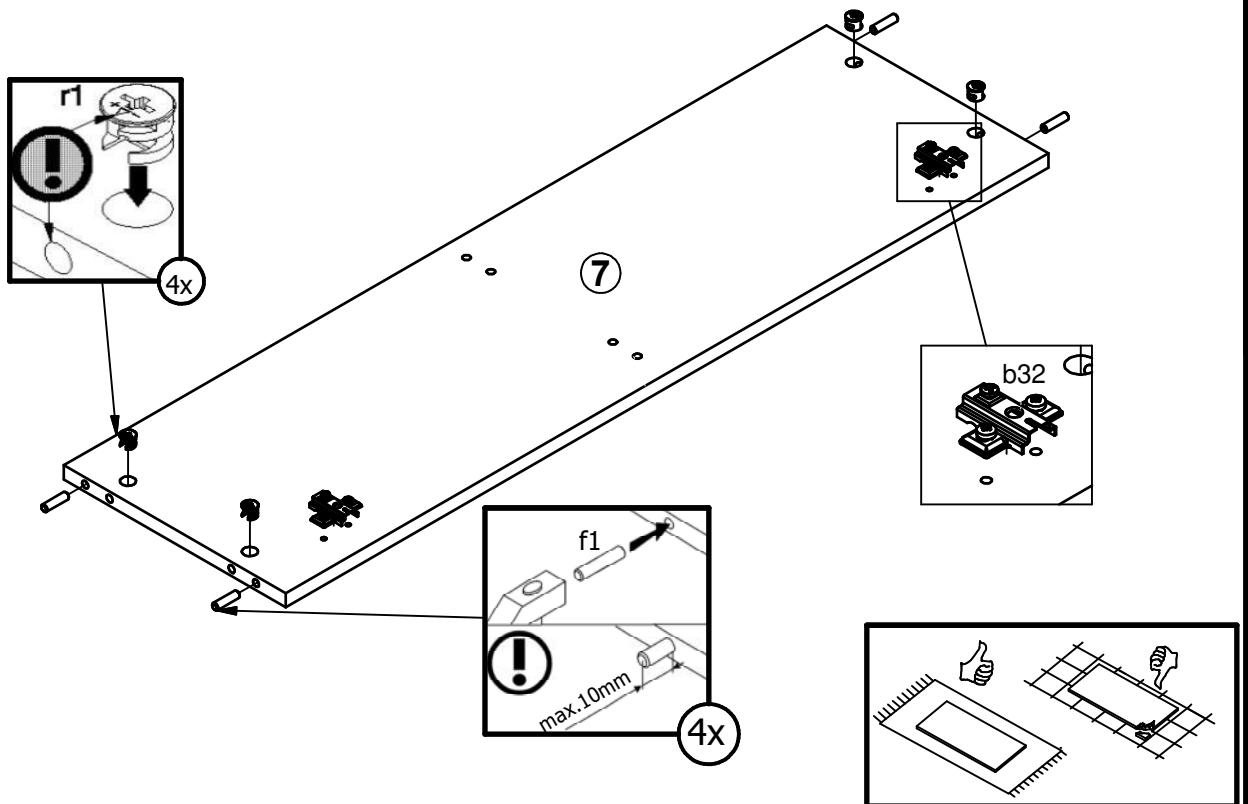




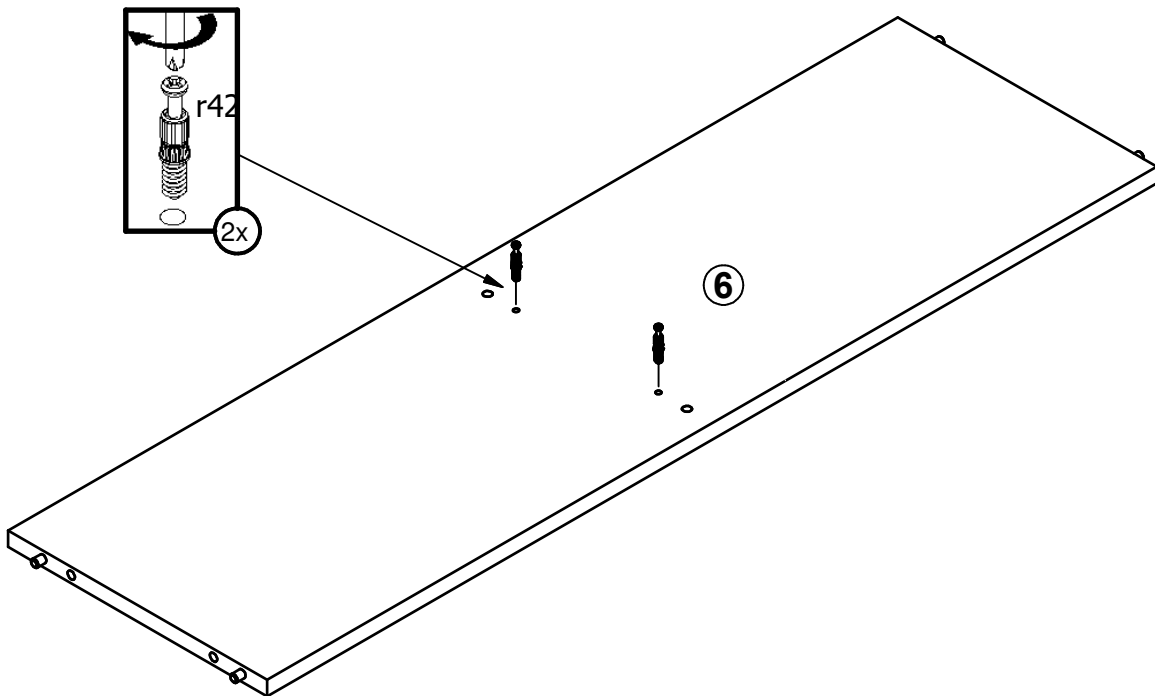
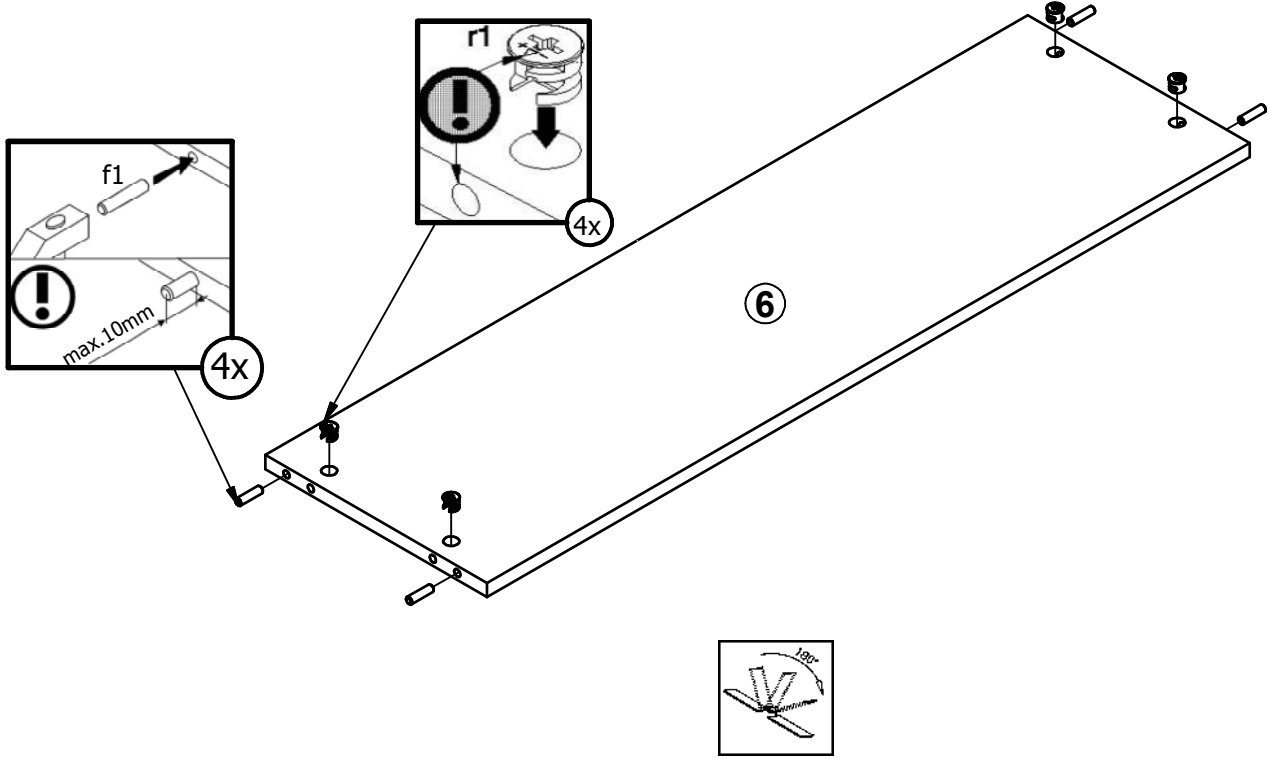
# 3



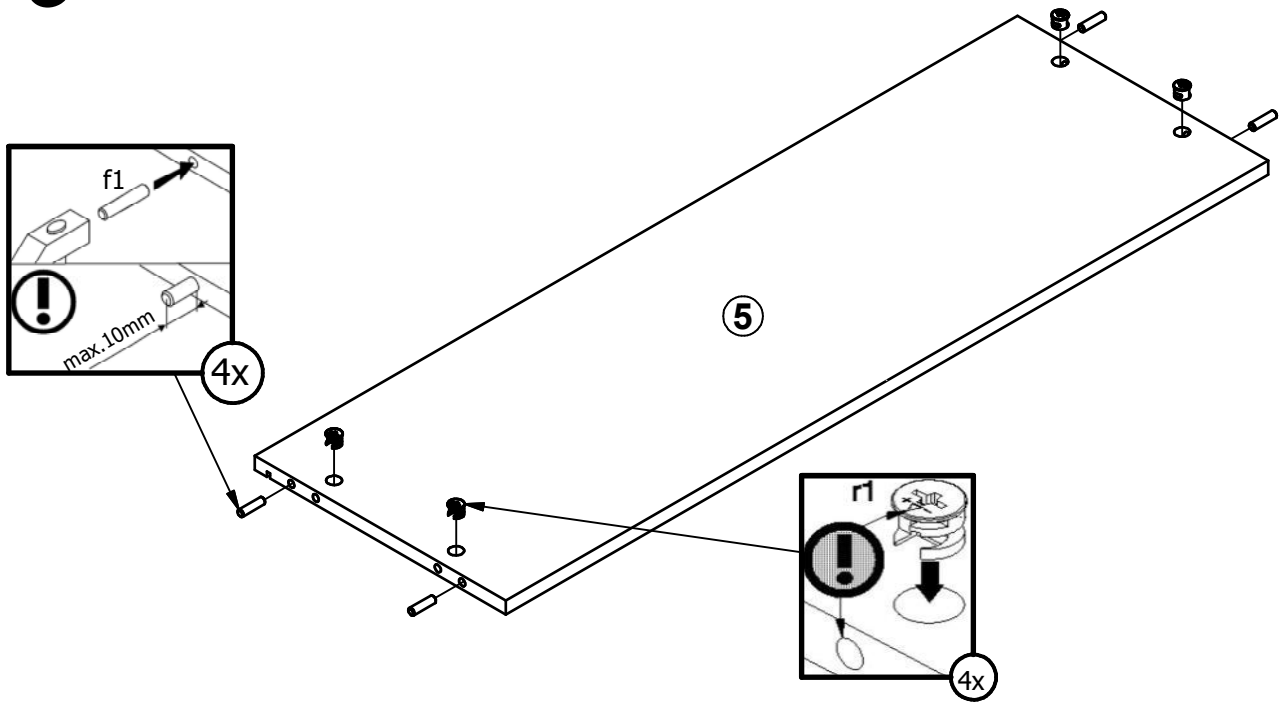
# 4



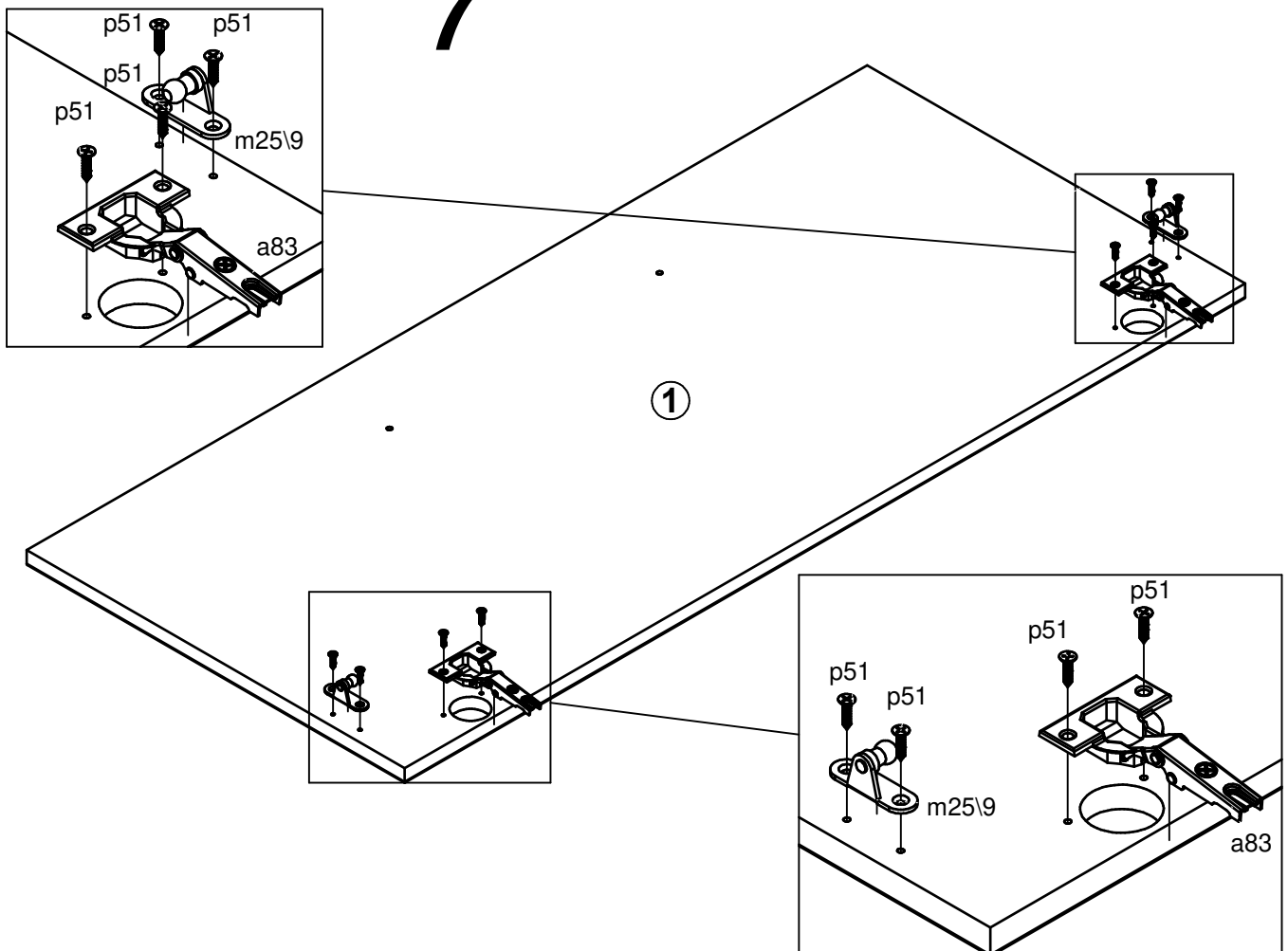
# 5



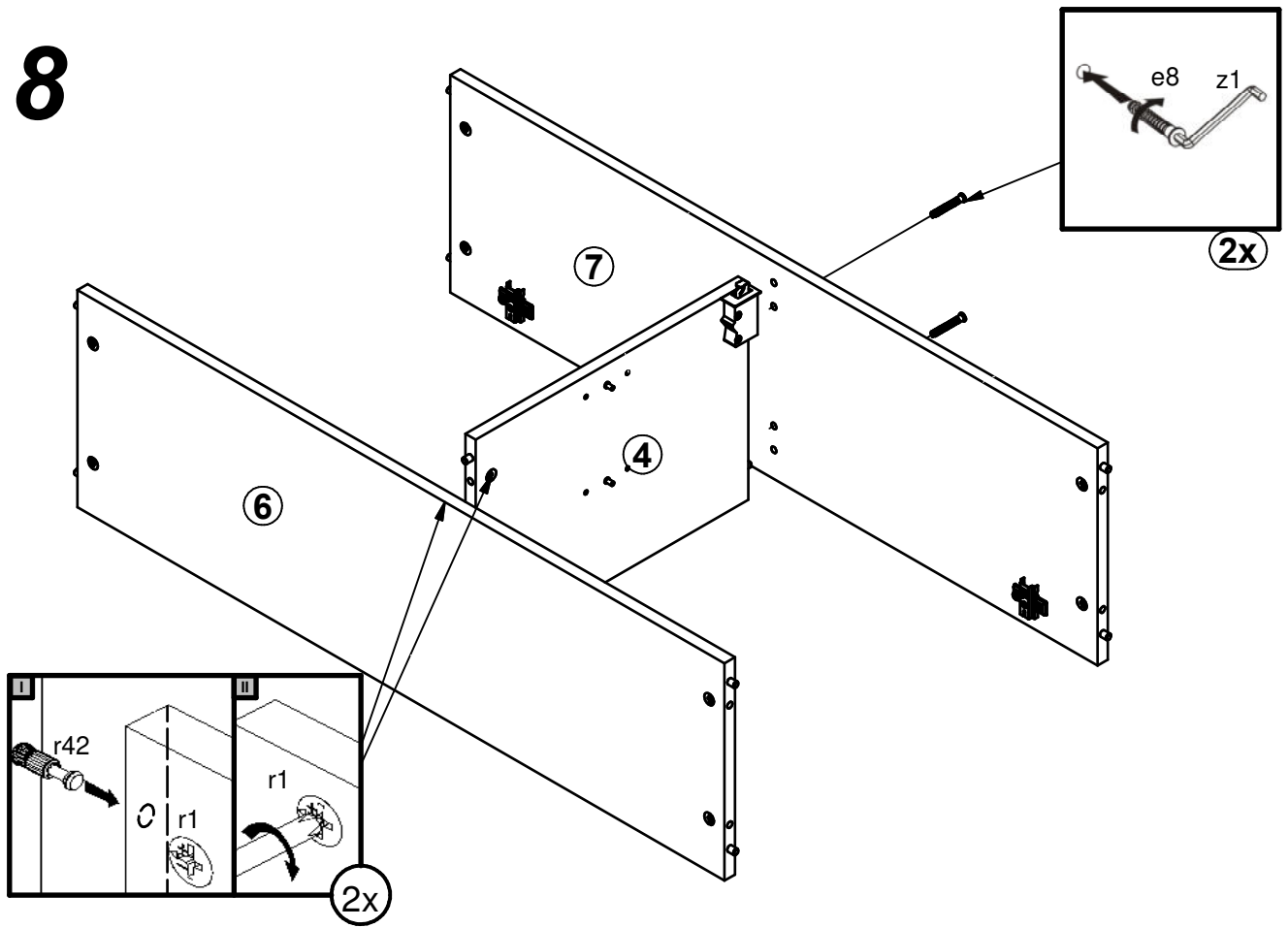
# 6



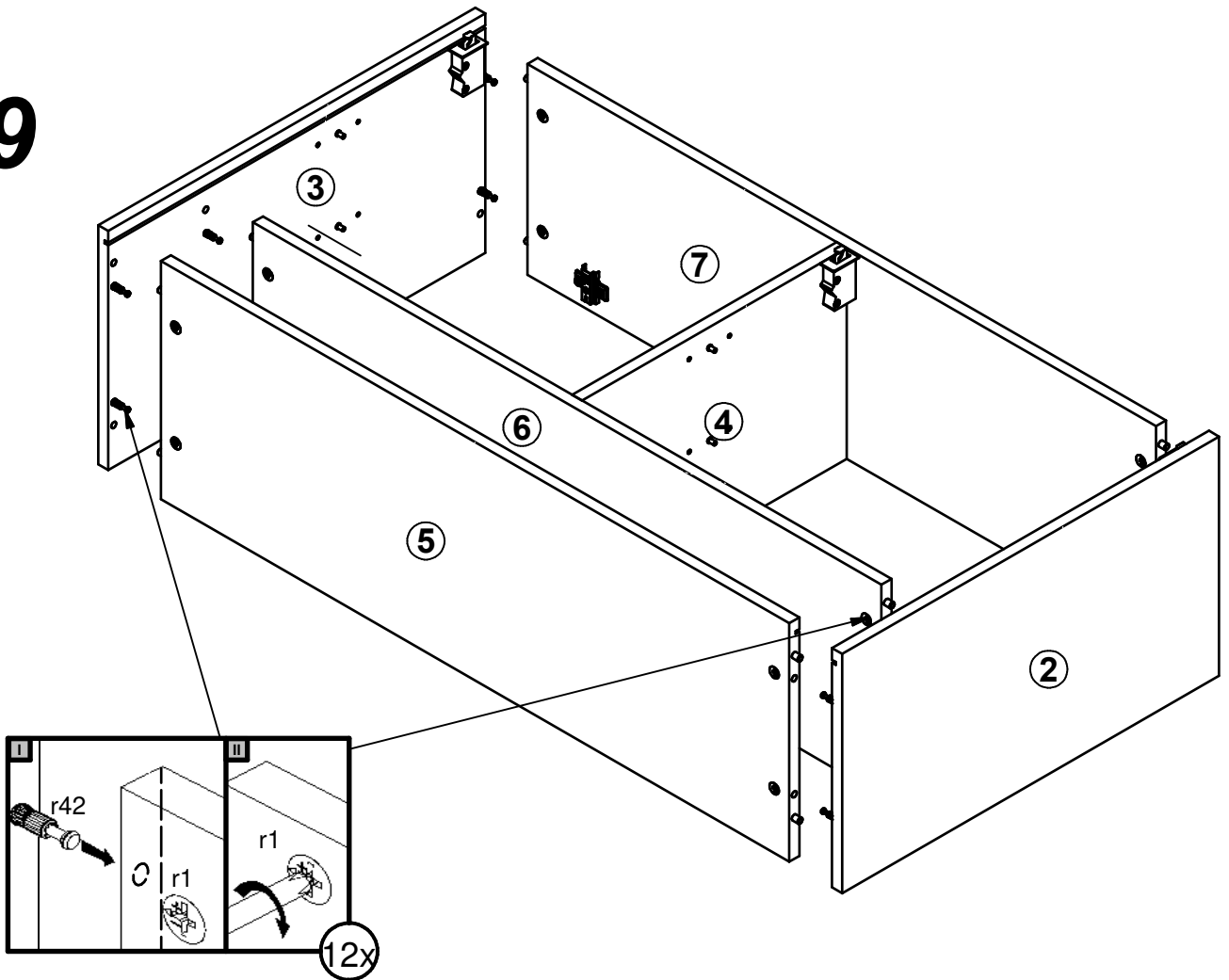
# 7



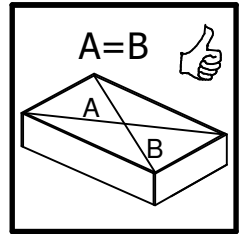
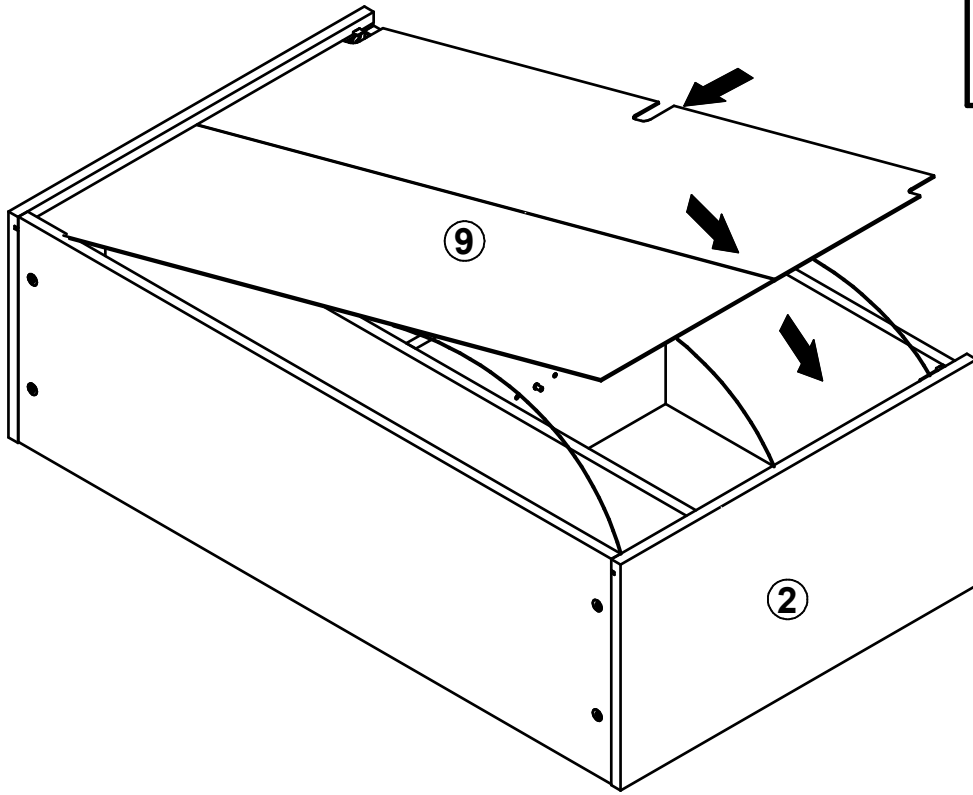
8



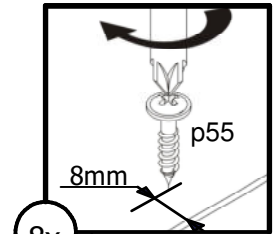
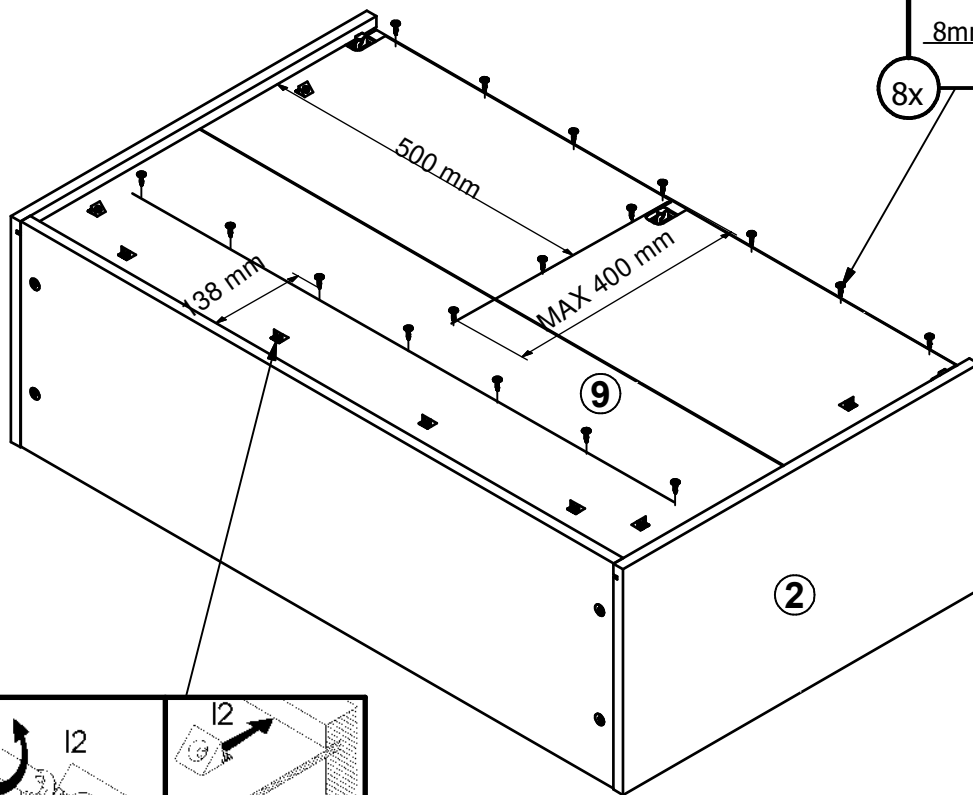
9



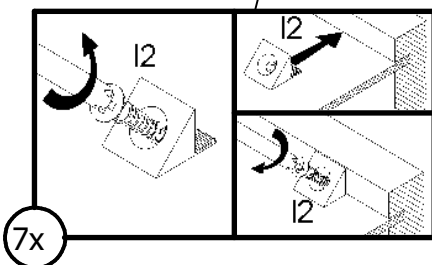
10

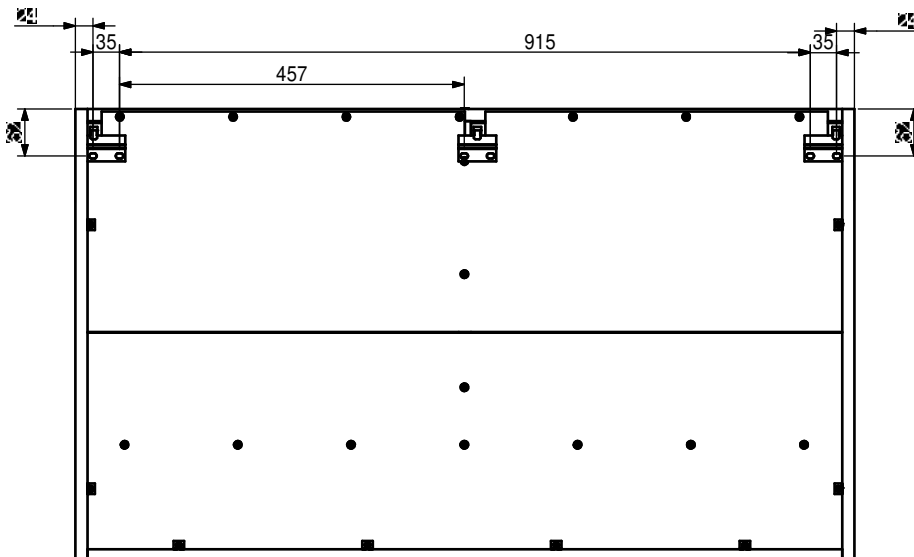
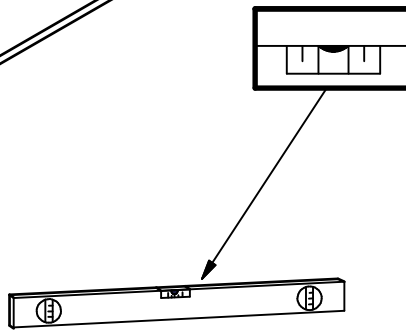
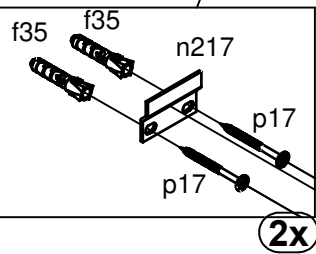
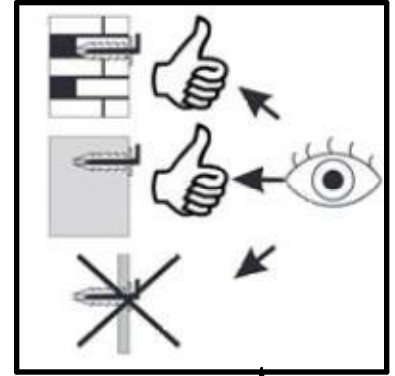
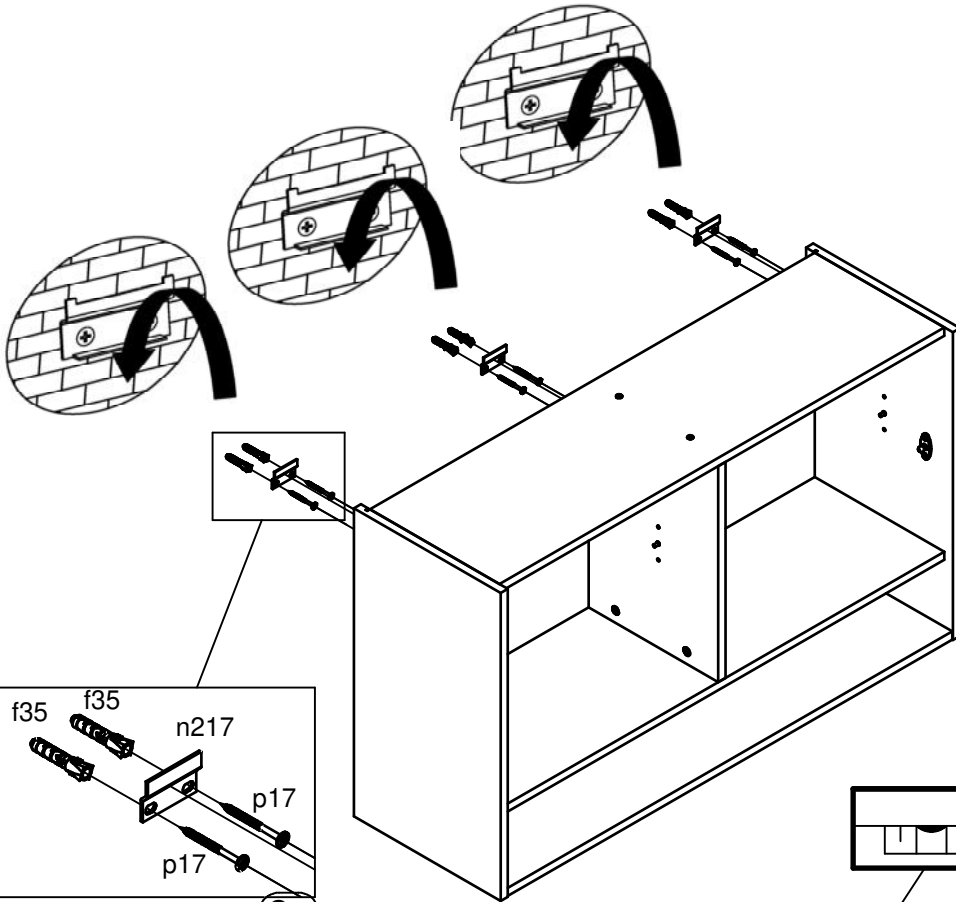
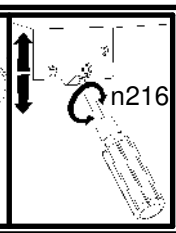
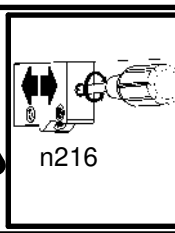
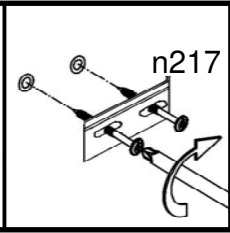
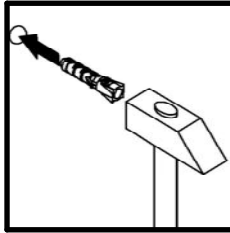
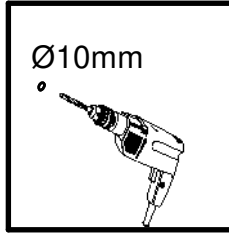


11

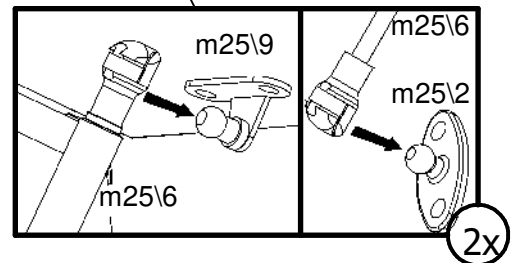
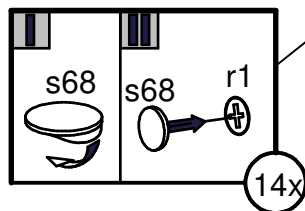
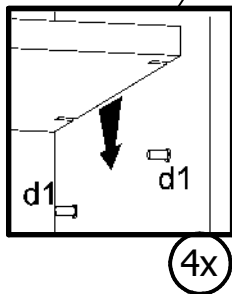
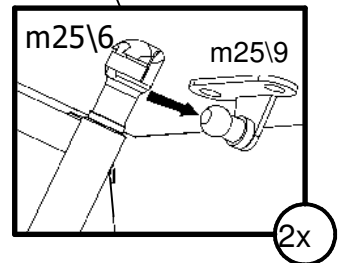
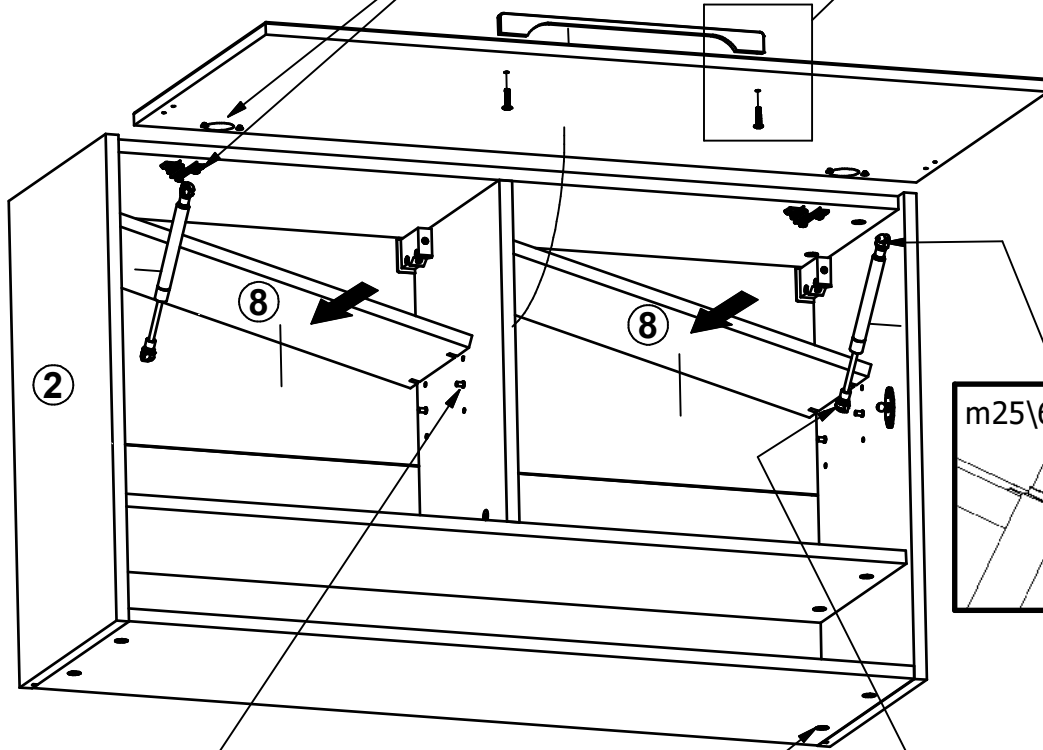
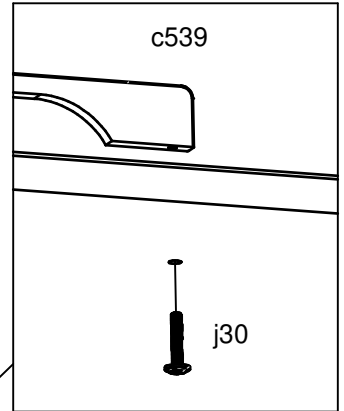
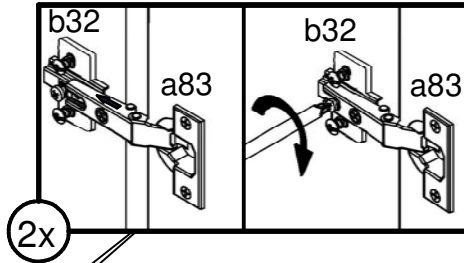
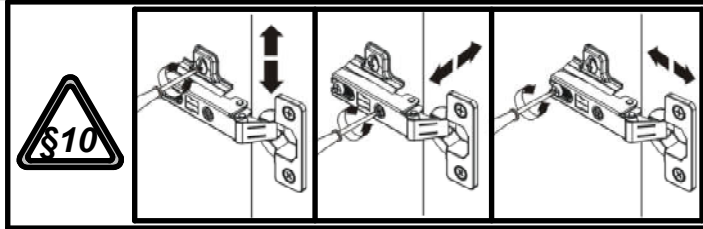


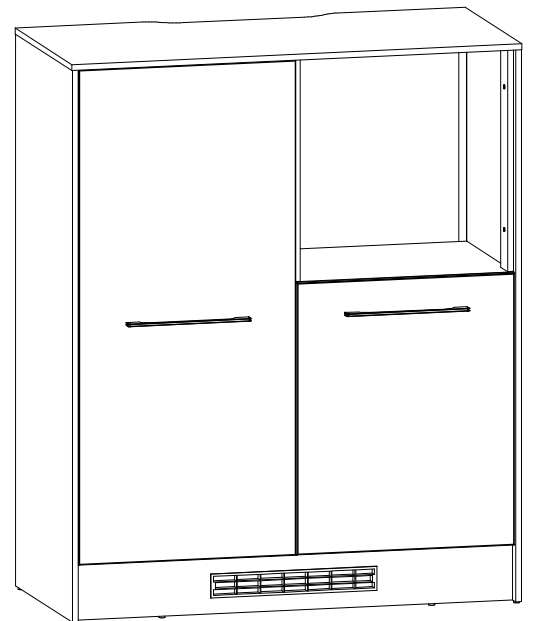
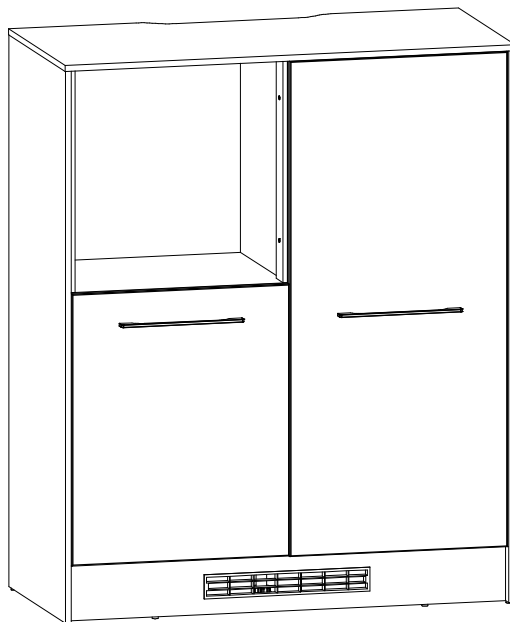
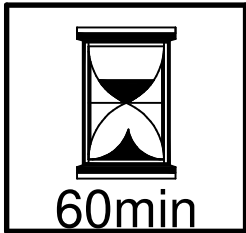
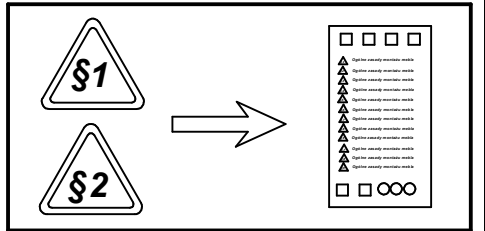
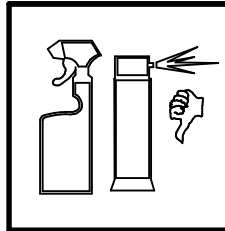
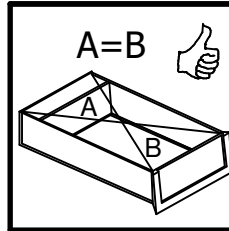
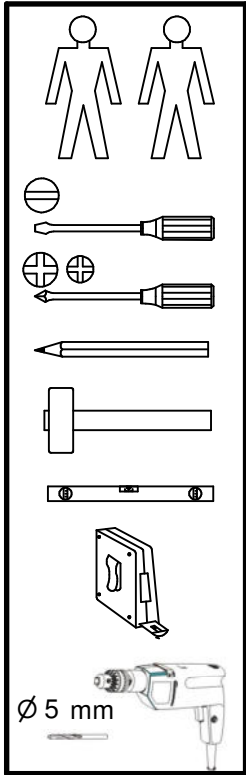
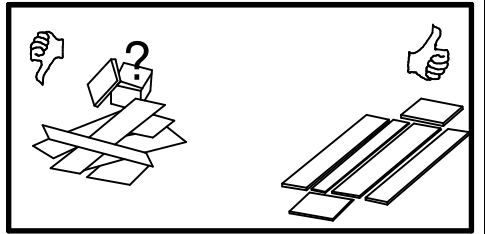
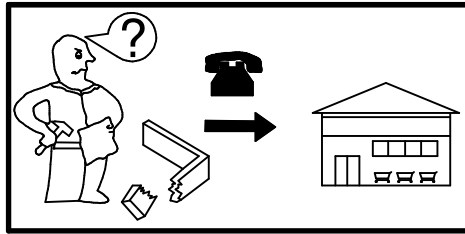
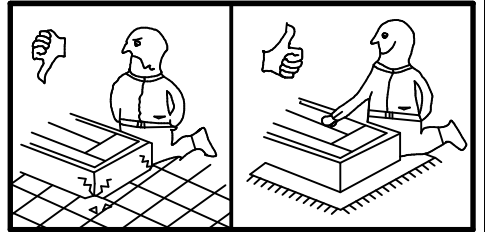
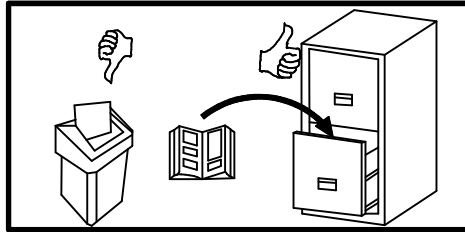
8x





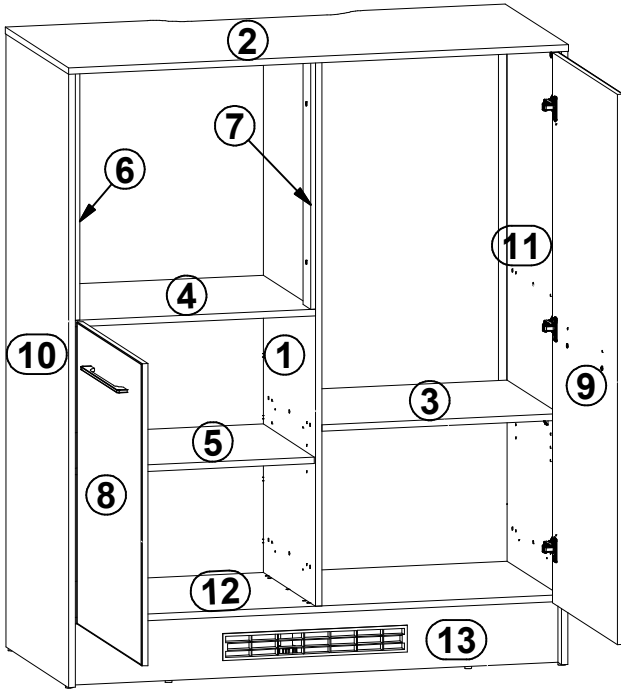
# 13



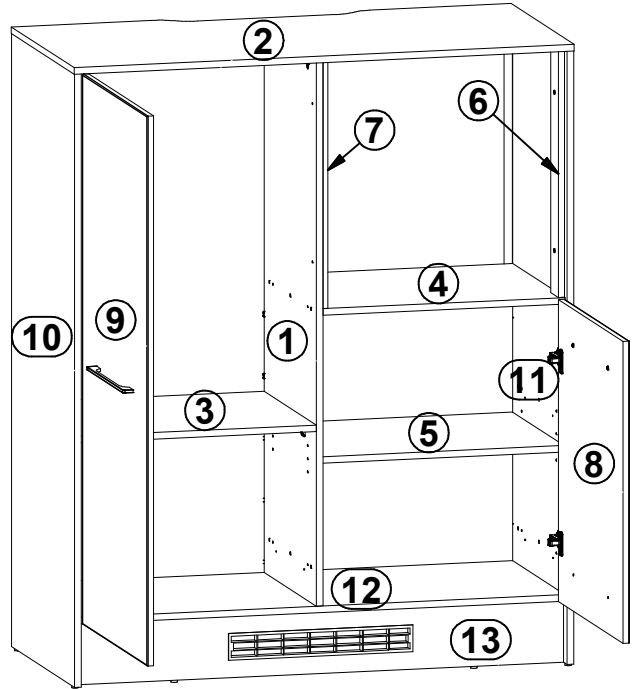




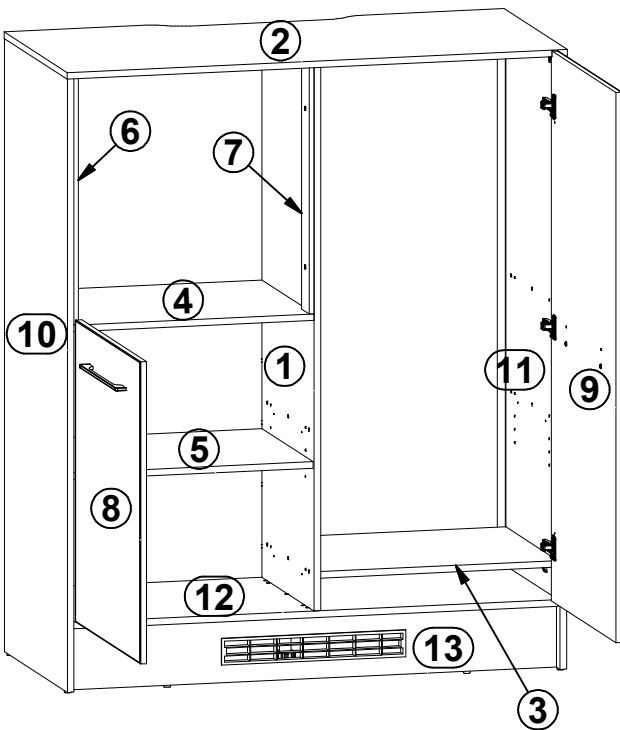
# A



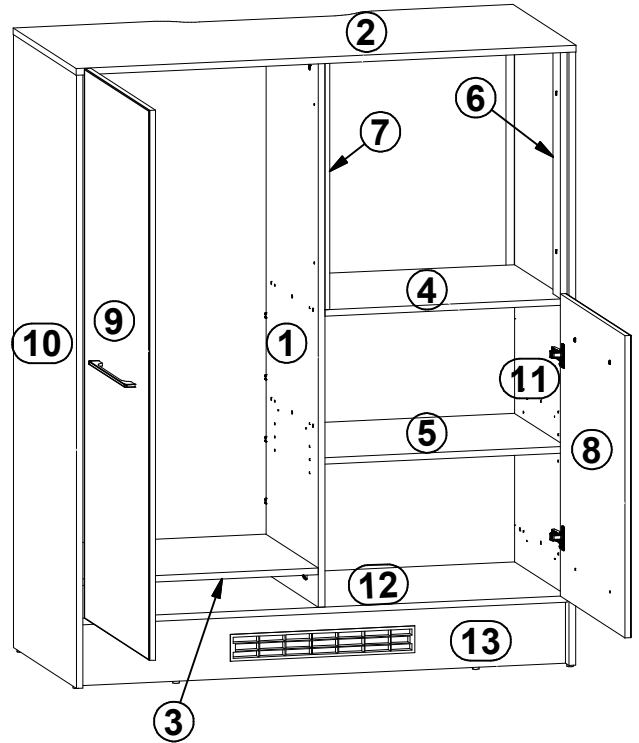
# B

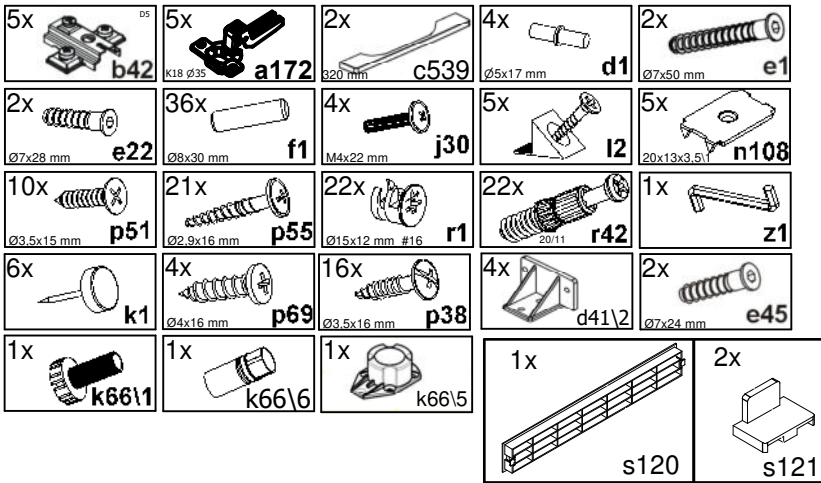


# C

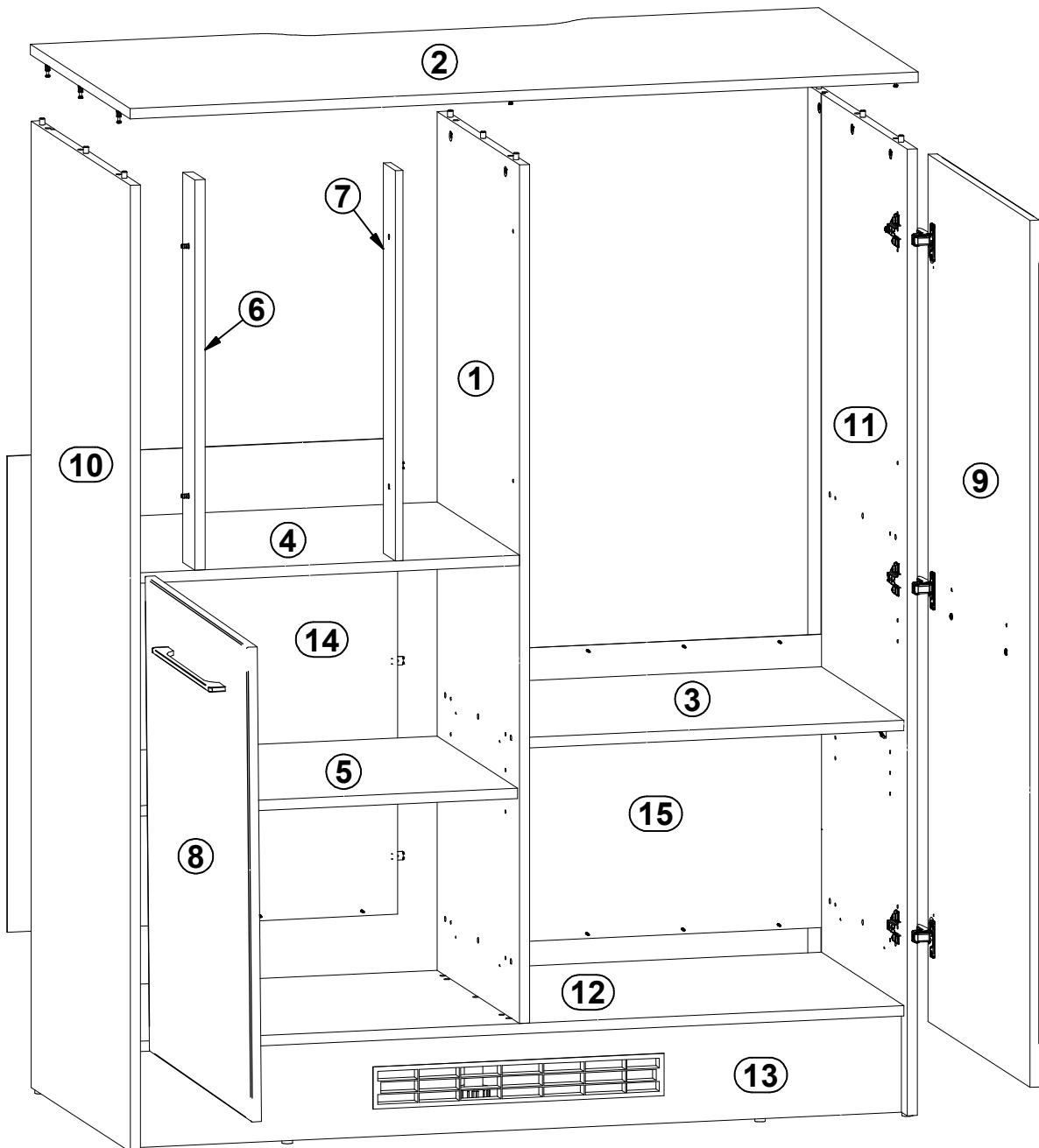


# D

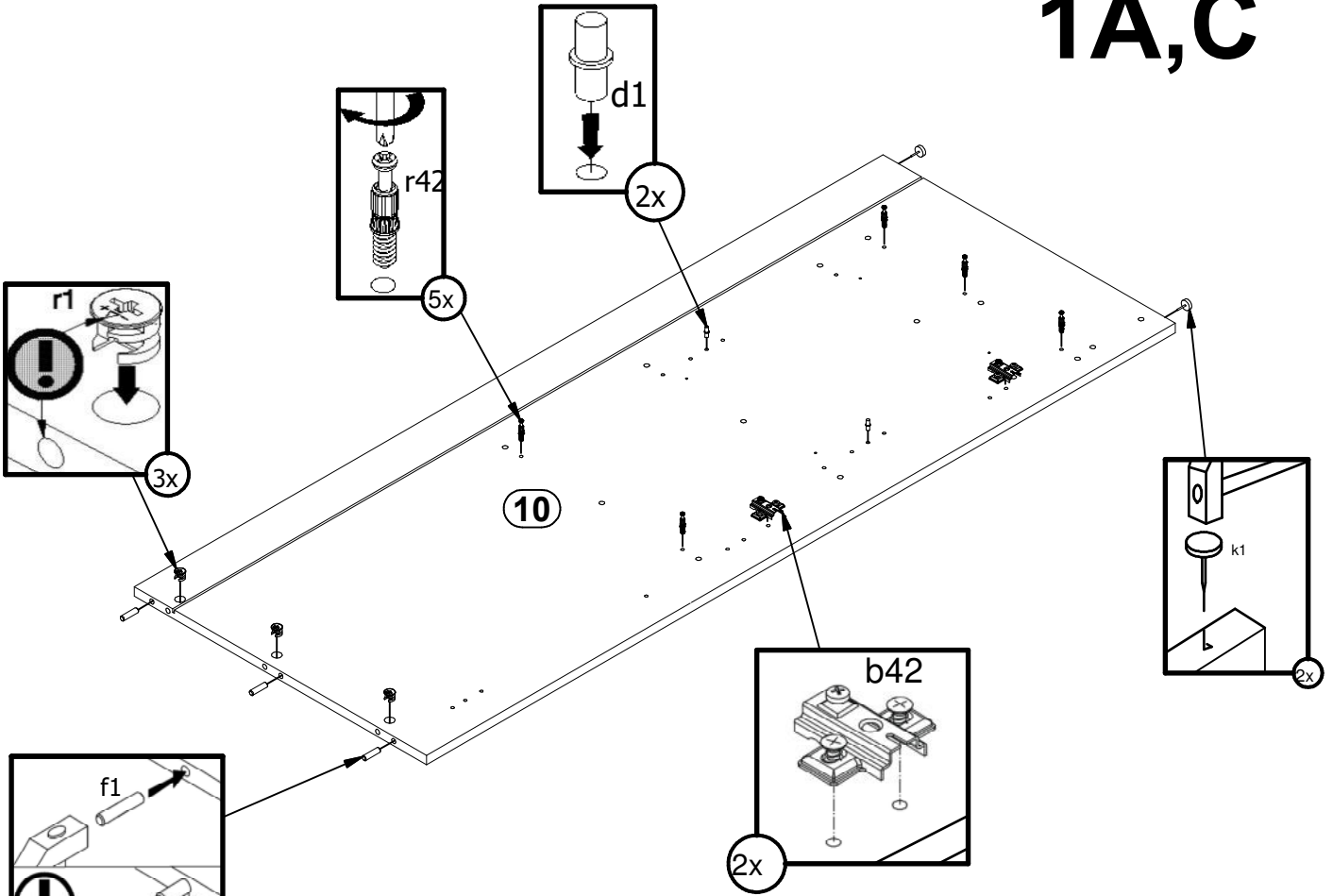




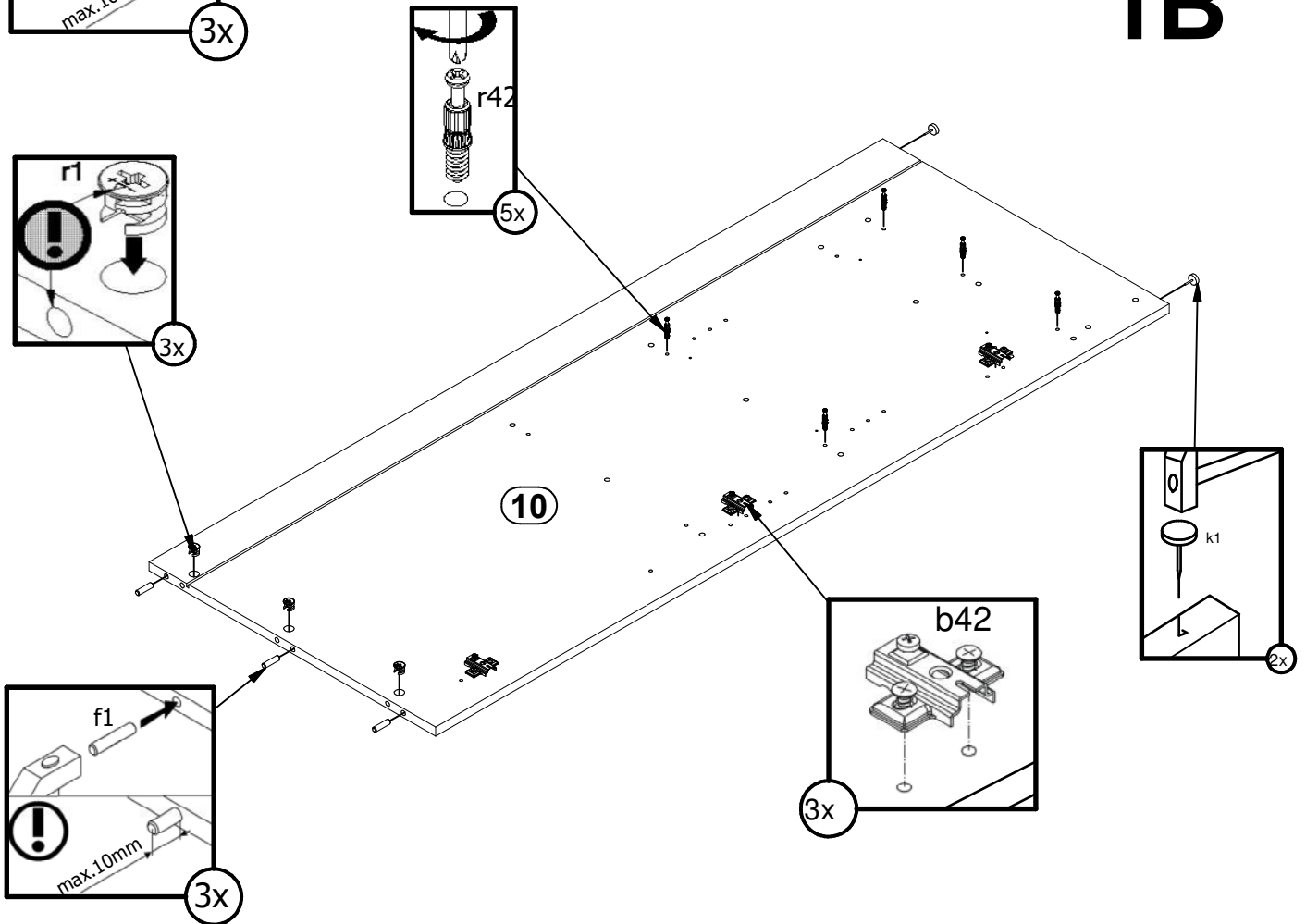
| A  | B         | C1   | C2  | C3  | D   |
|----|-----------|------|-----|-----|-----|
| 1  | S540-1015 | 1320 | 481 | 16  | 1/3 |
| 2  | S540-2003 | 1234 | 581 | 16  | 3/3 |
| 3  | S540-3012 | 586  | 481 | 16  | 1/3 |
| 4  | S540-3013 | 598  | 481 | 16  | 1/3 |
| 5  | S540-3014 | 597  | 471 | 16  | 1/3 |
| 6  | S540-4005 | 600  | 70  | 16  | 1/3 |
| 7  | S540-4007 | 600  | 70  | 12  | 1/3 |
| 8  | S548-0008 | 732  | 596 | 16  | 3/3 |
| 9  | S548-0009 | 1333 | 596 | 16  | 3/3 |
| 10 | S548-1001 | 1486 | 580 | 16  | 2/3 |
| 11 | S548-1002 | 1486 | 580 | 16  | 2/3 |
| 12 | S548-3001 | 1200 | 481 | 16  | 2/3 |
| 13 | S548-4001 | 1200 | 150 | 16  | 2/3 |
| 14 | S548-9001 | 732  | 611 | 2,5 | 3/3 |
| 15 | S548-9002 | 598  | 451 | 2,5 | 3/3 |



# 1A,C

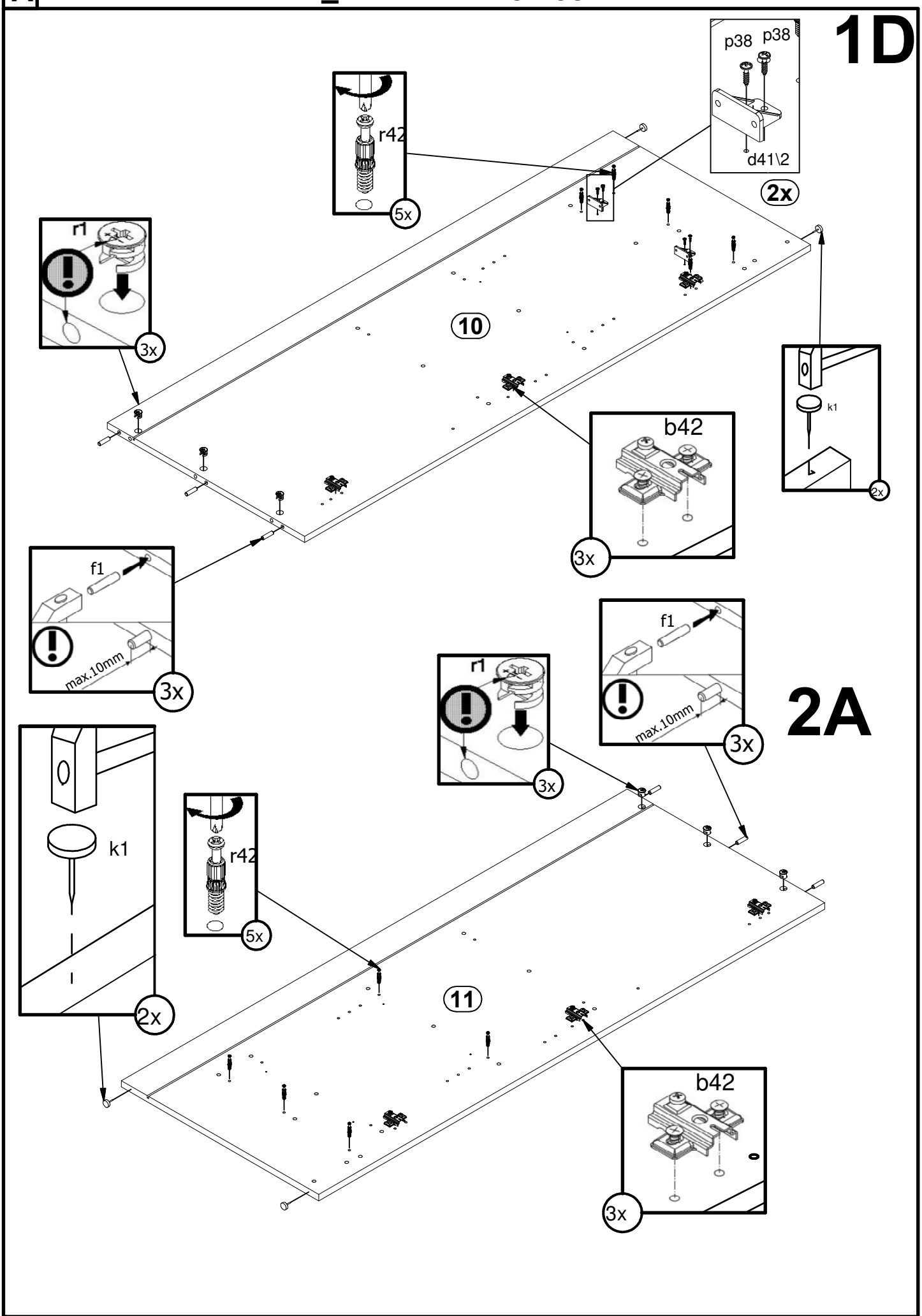


# 1B

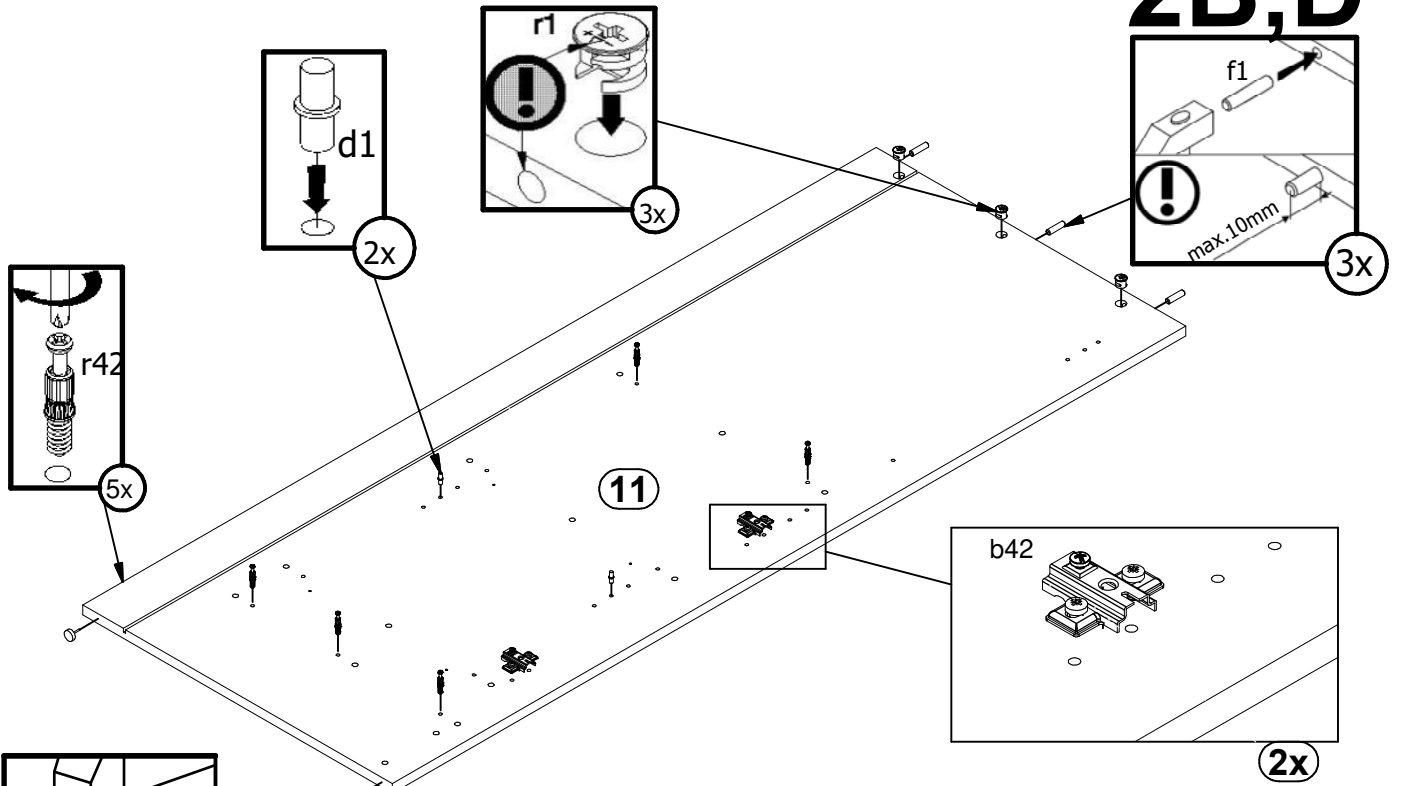


1D

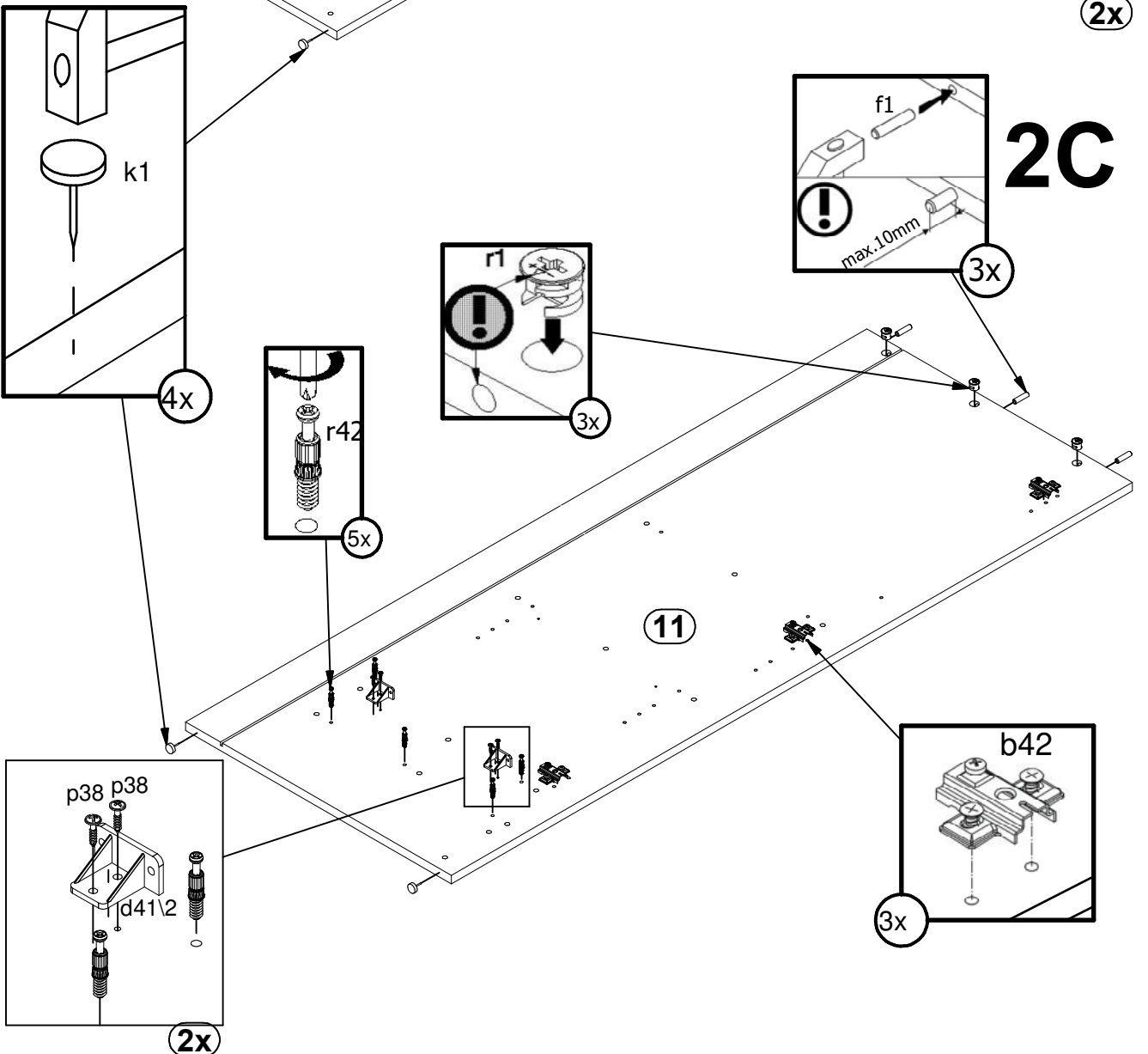
2A



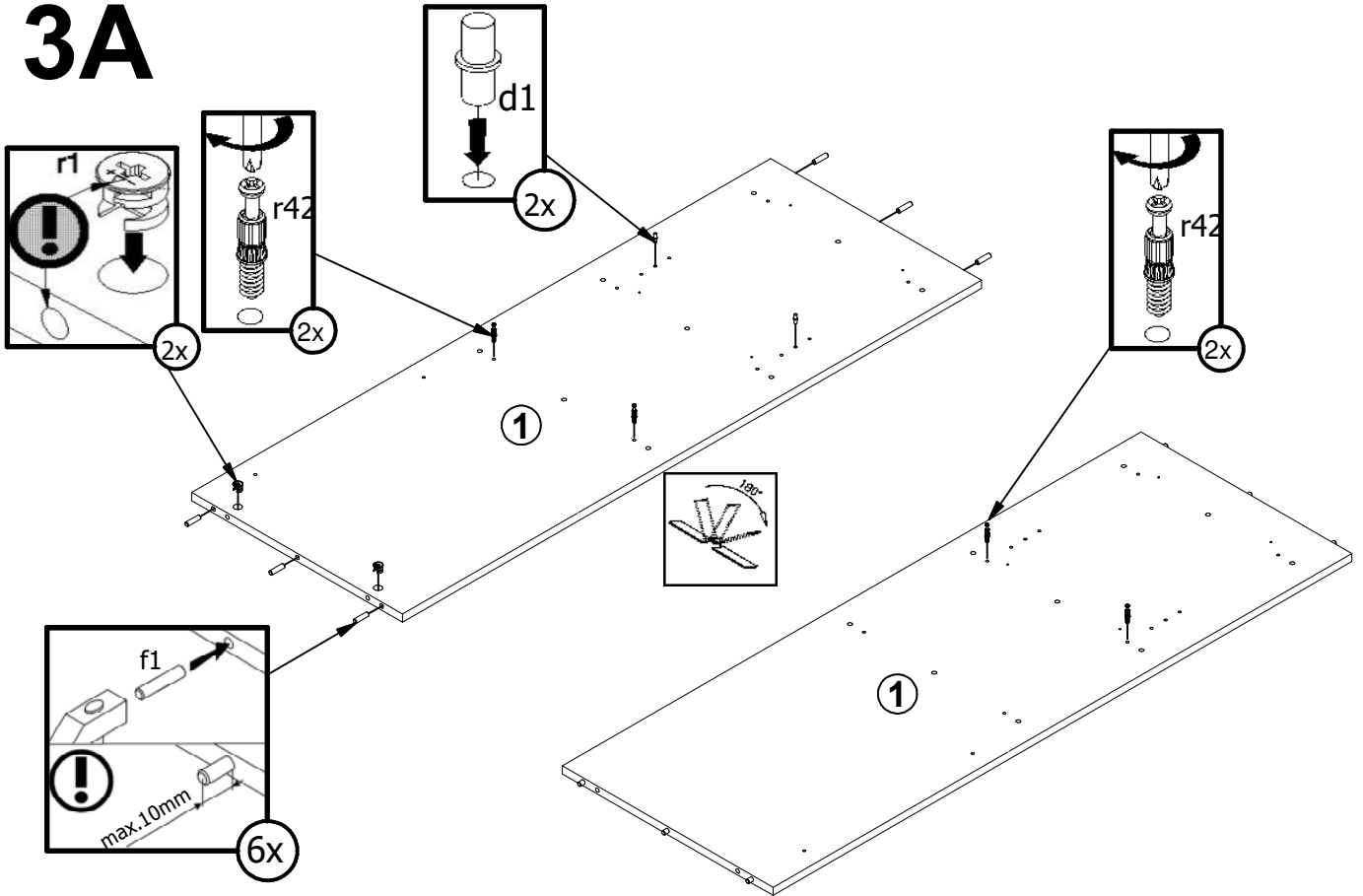
# 2B,D



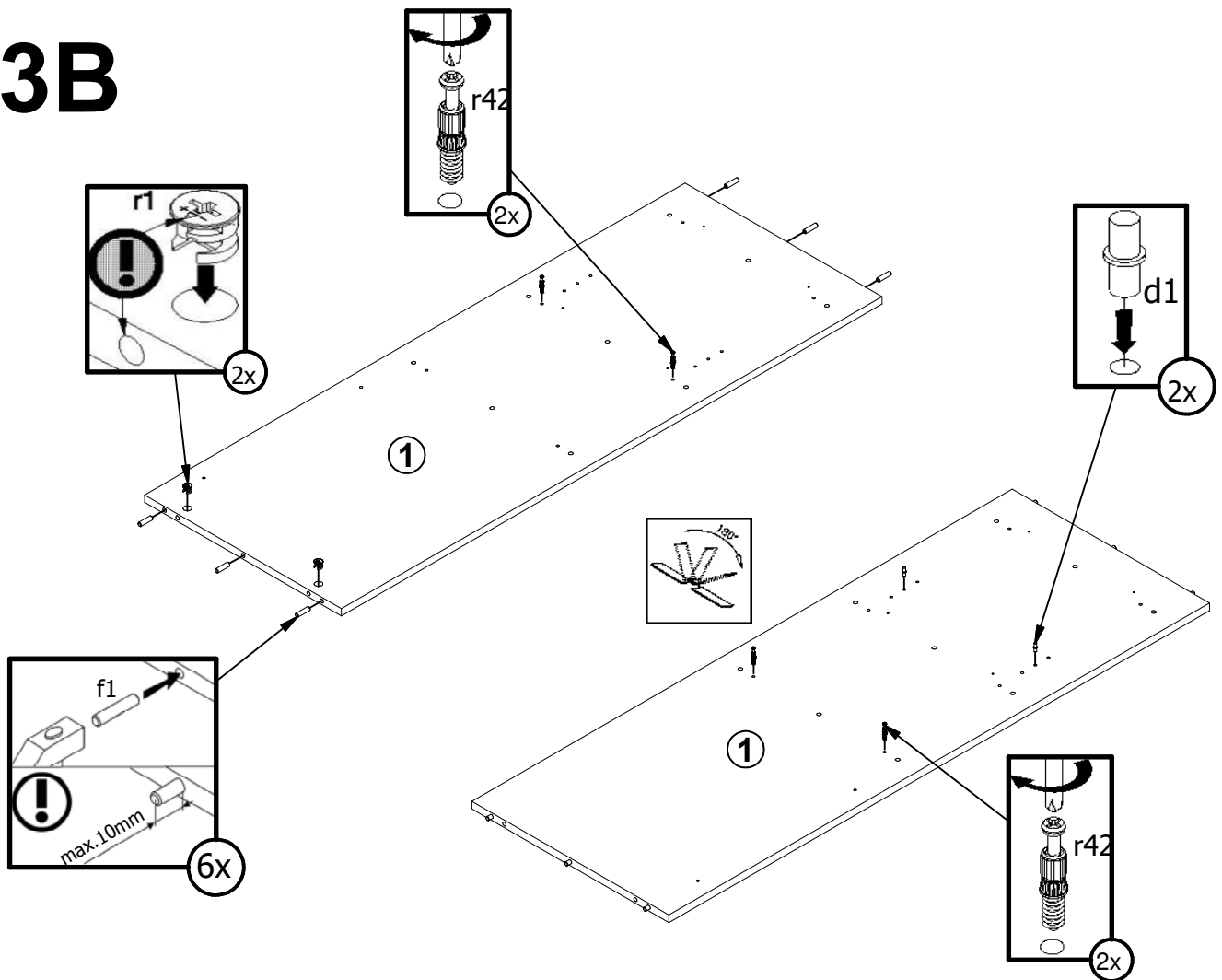
# 2C



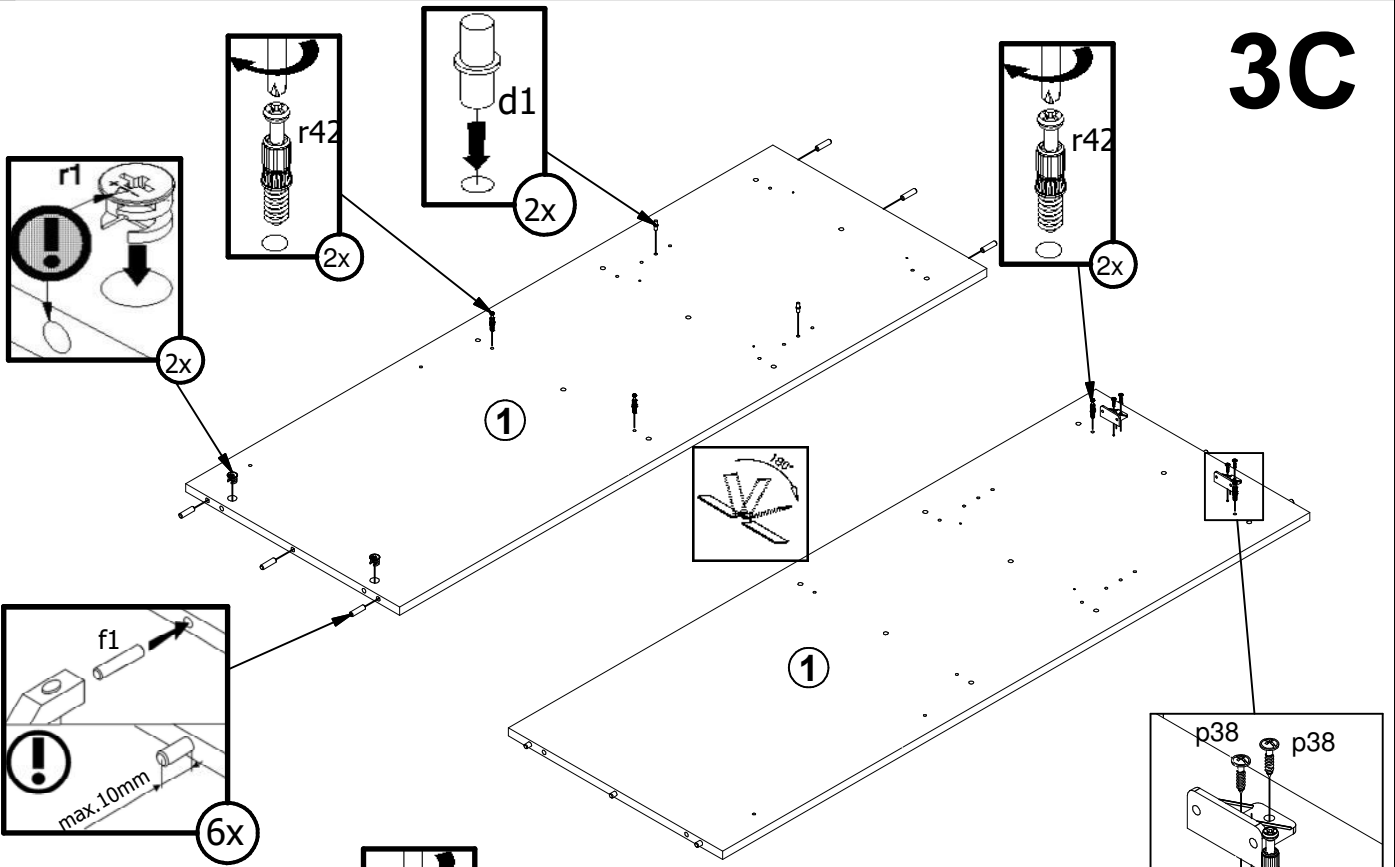
# 3A



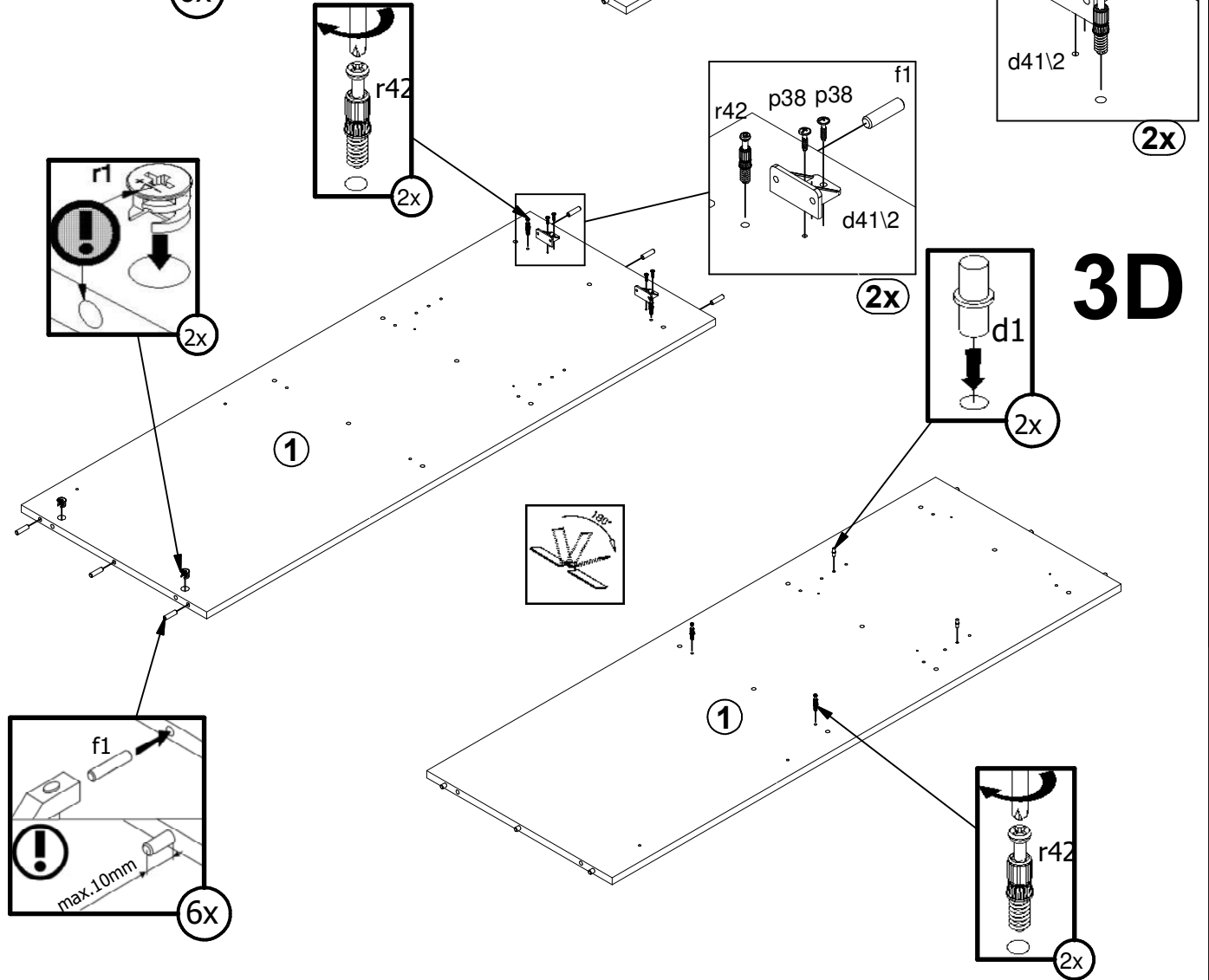
# 3B



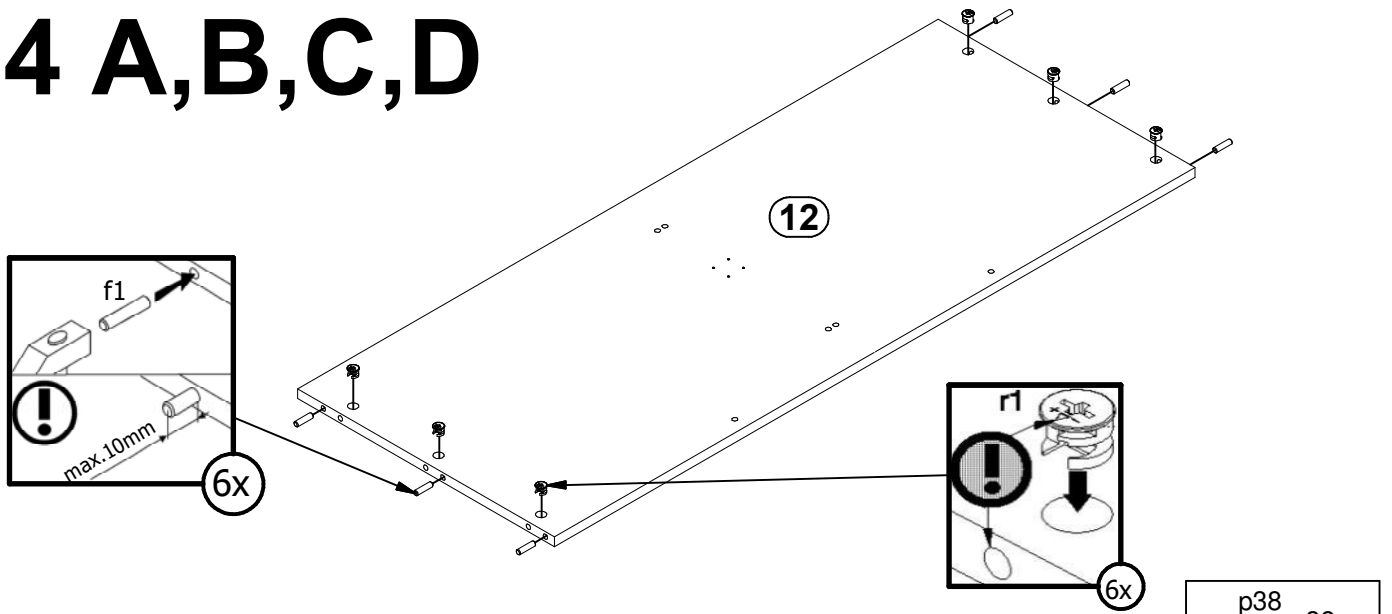
3C



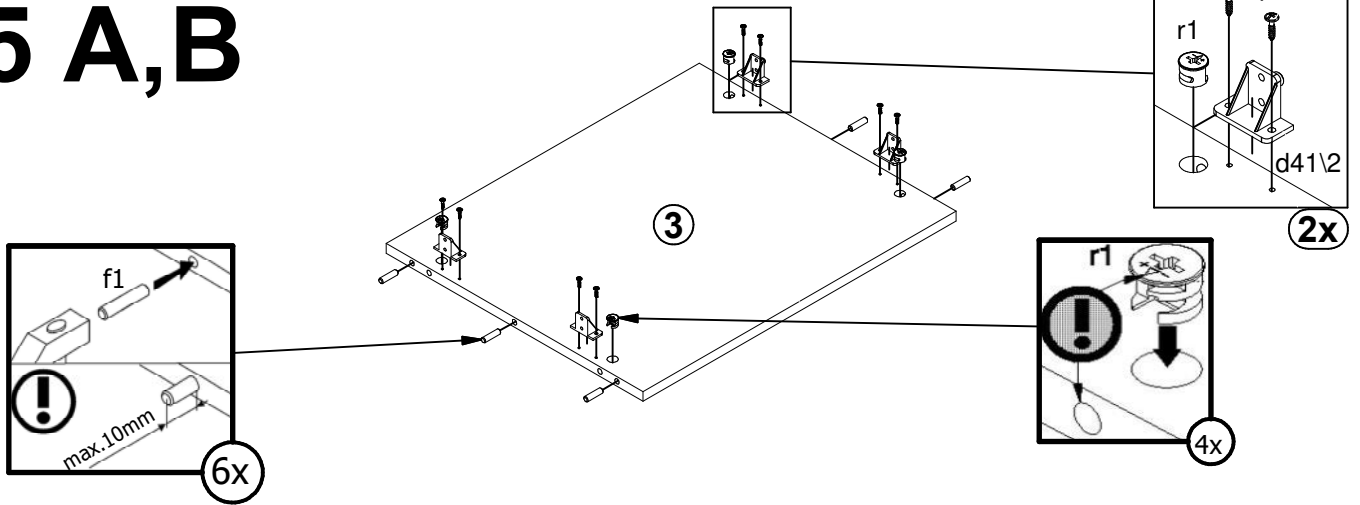
3D



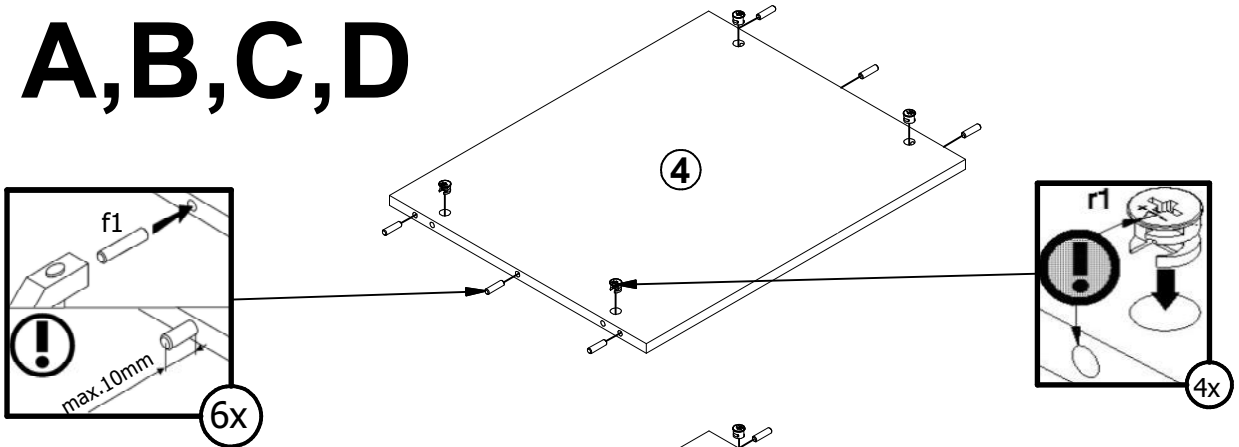
# 4 A,B,C,D



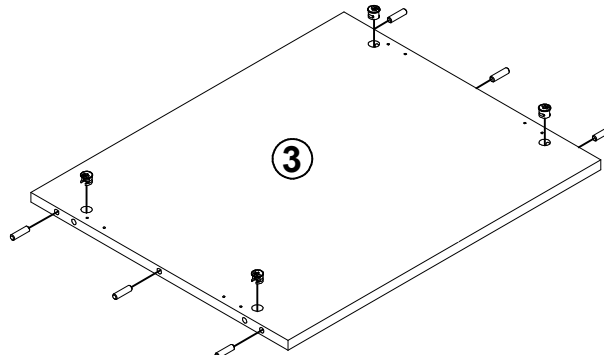
# 5 A,B



# 6 A,B,C,D

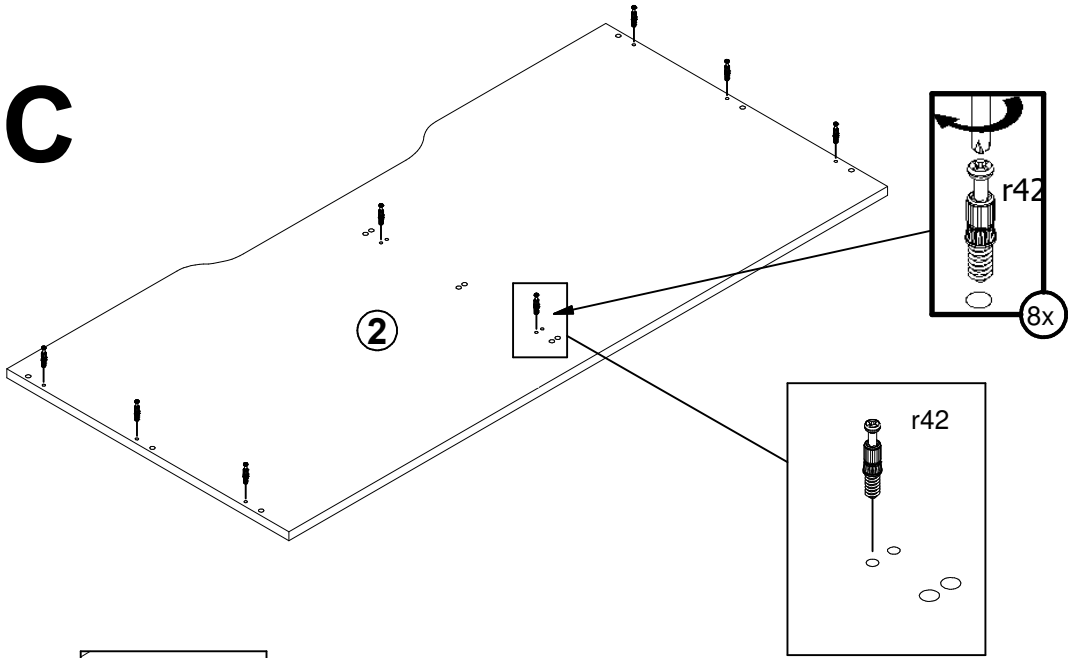


# 7 C,D

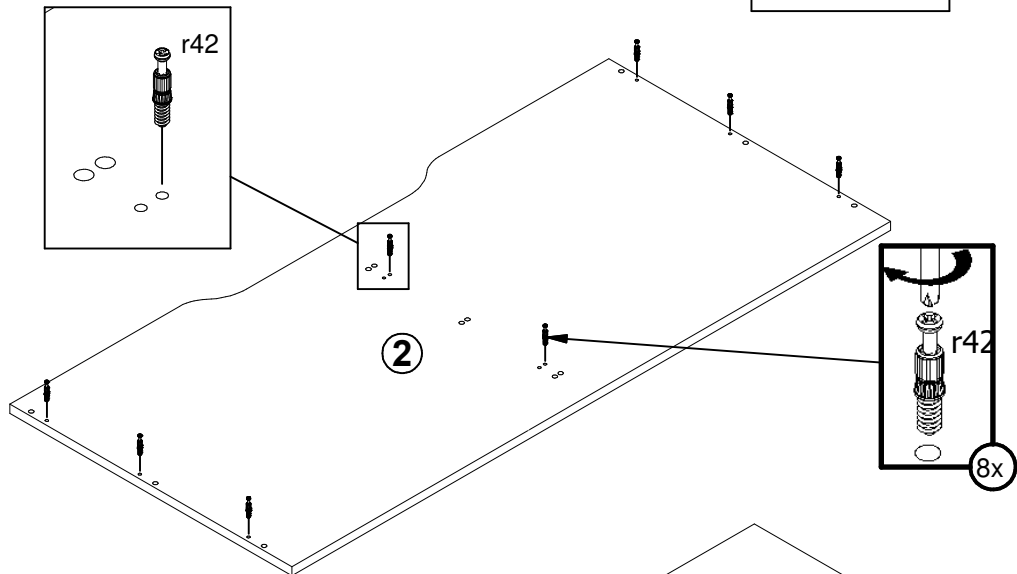




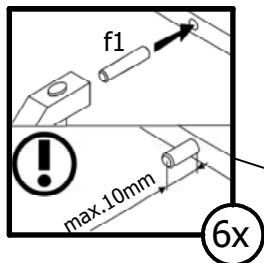
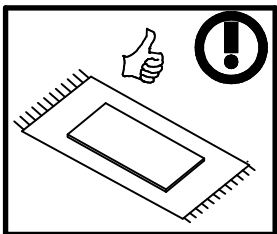
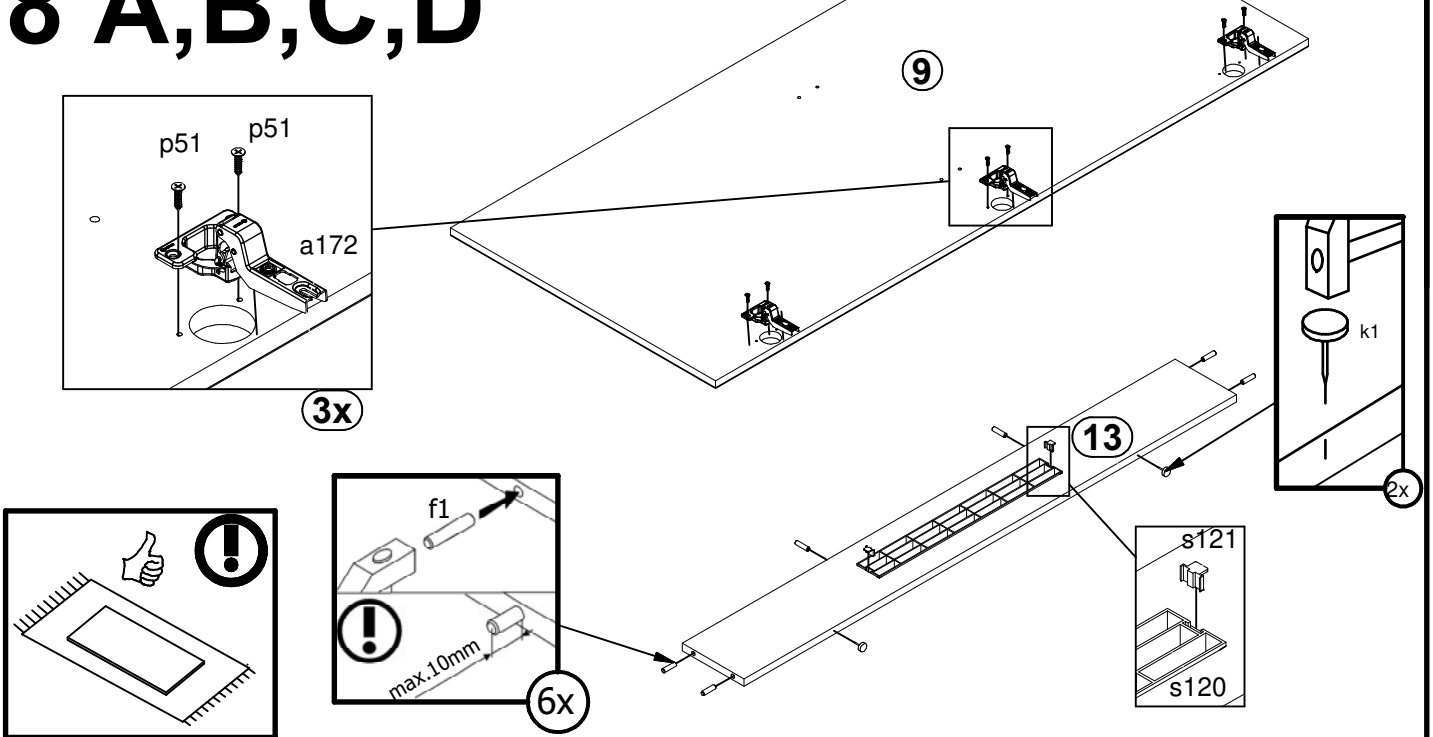
# 7 A,C



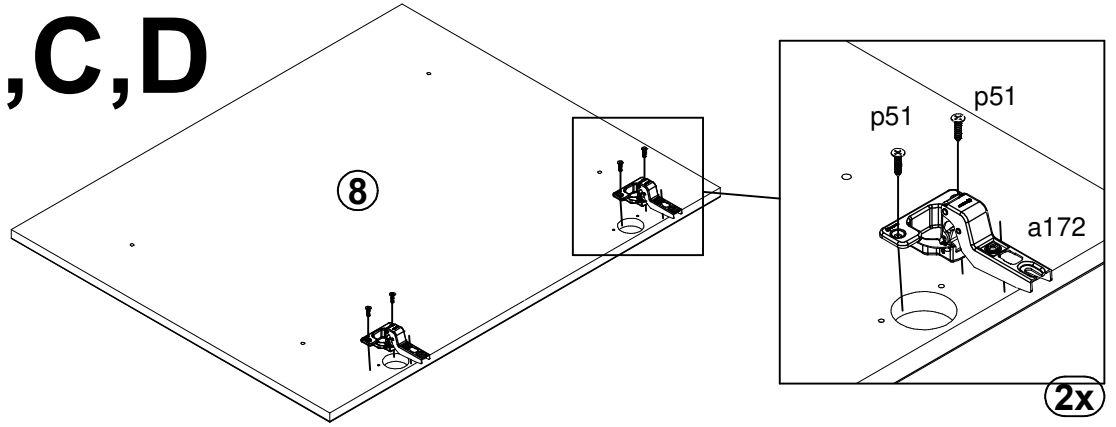
# 7 B,D



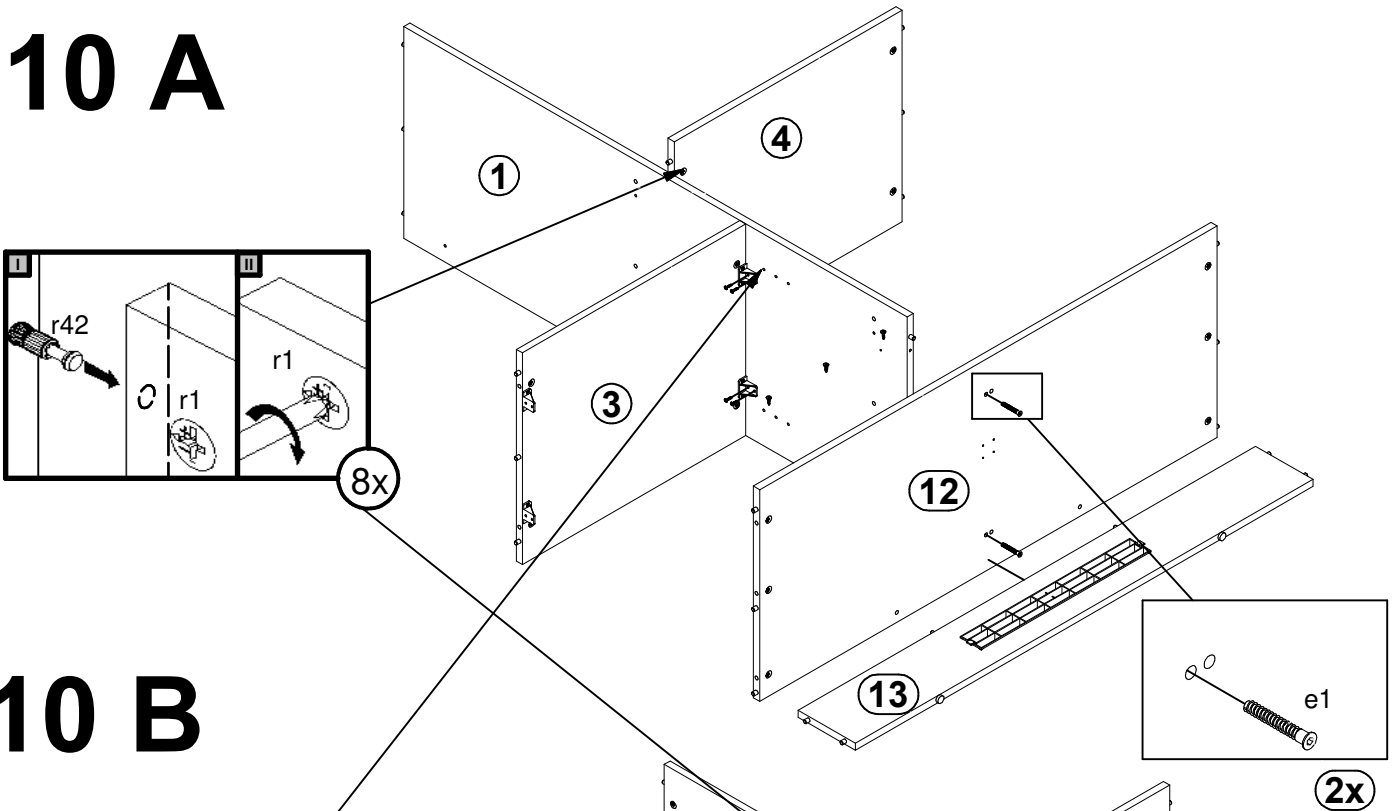
# 8 A,B,C,D



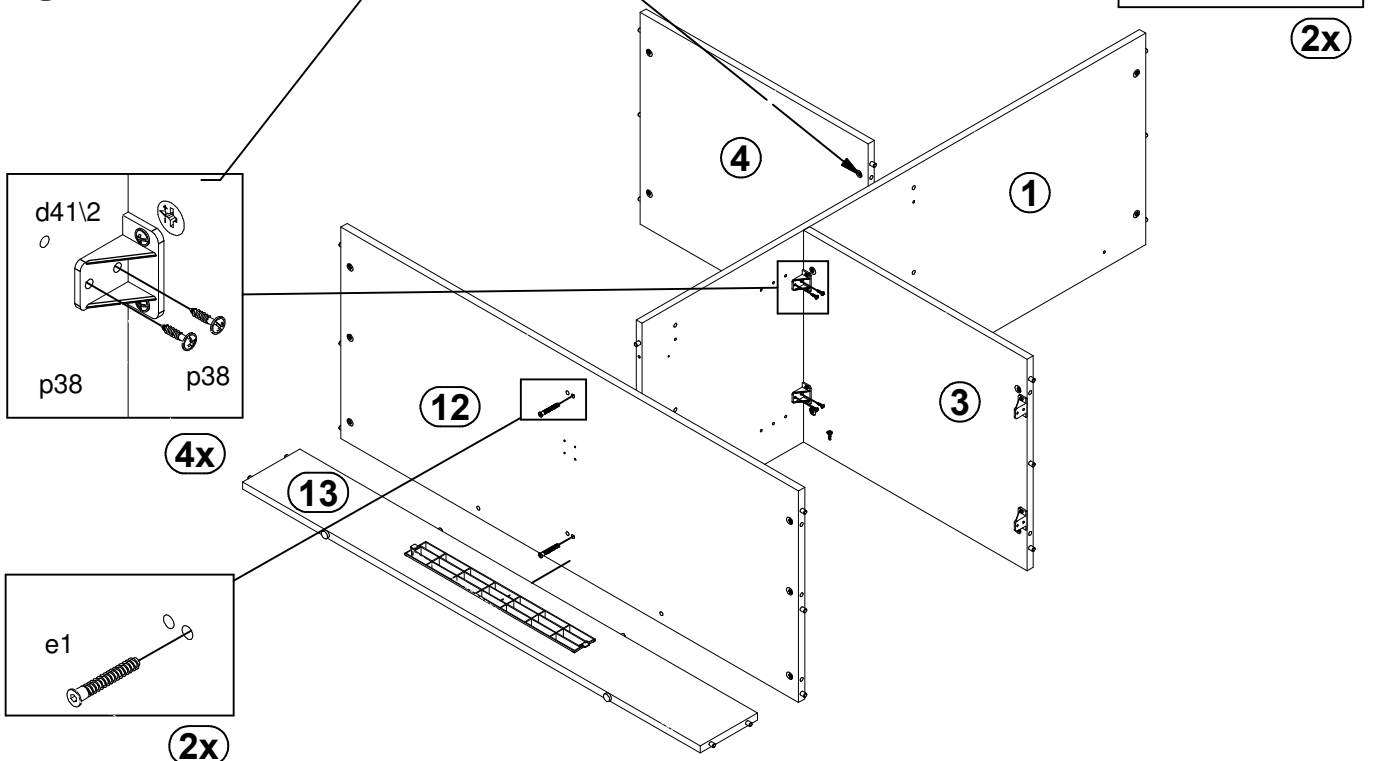
# 9 A,B,C,D



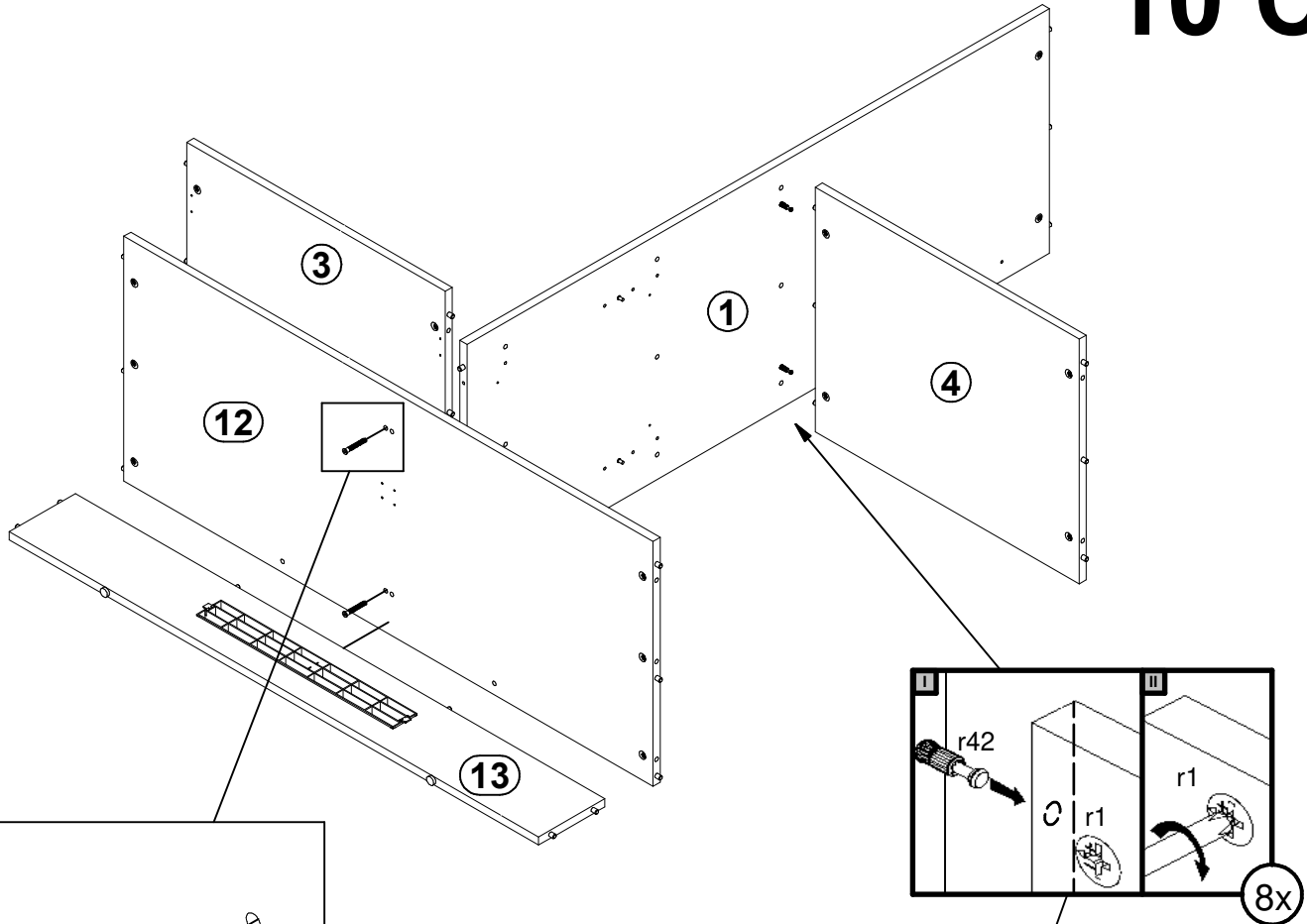
# 10 A



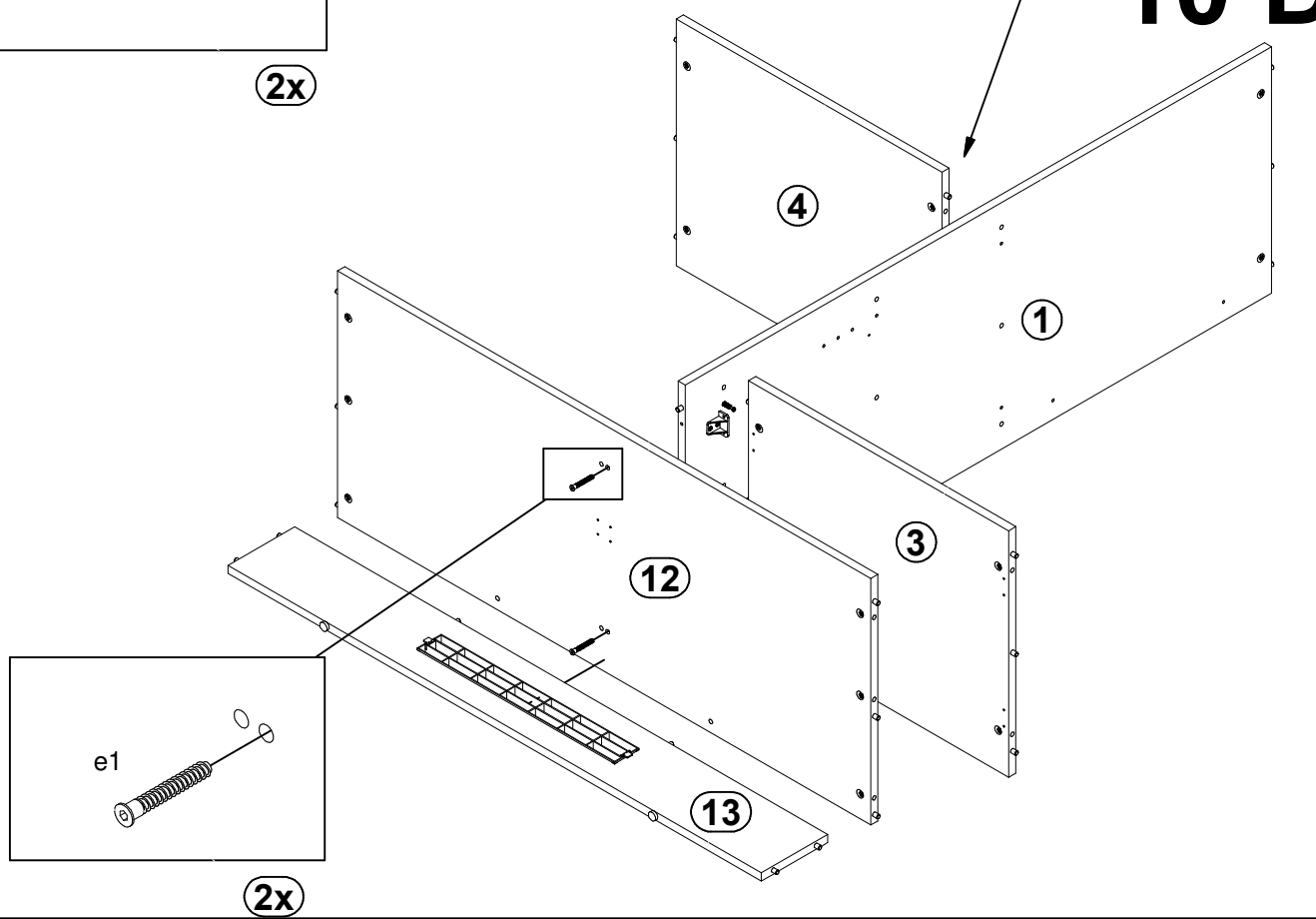
# 10 B



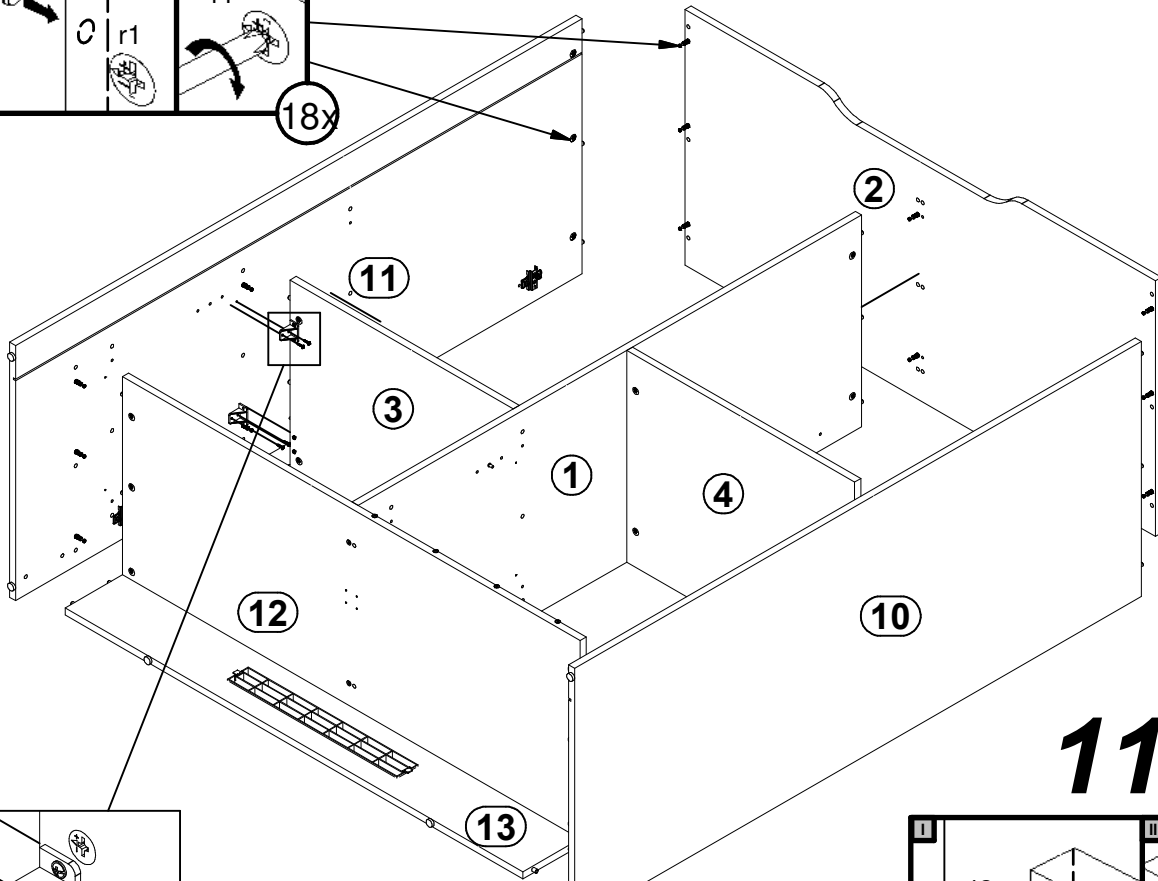
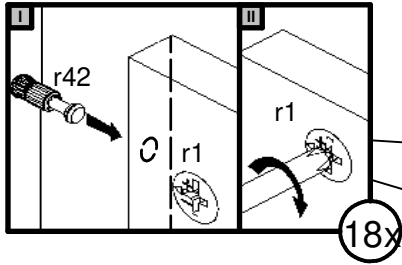
# 10 C



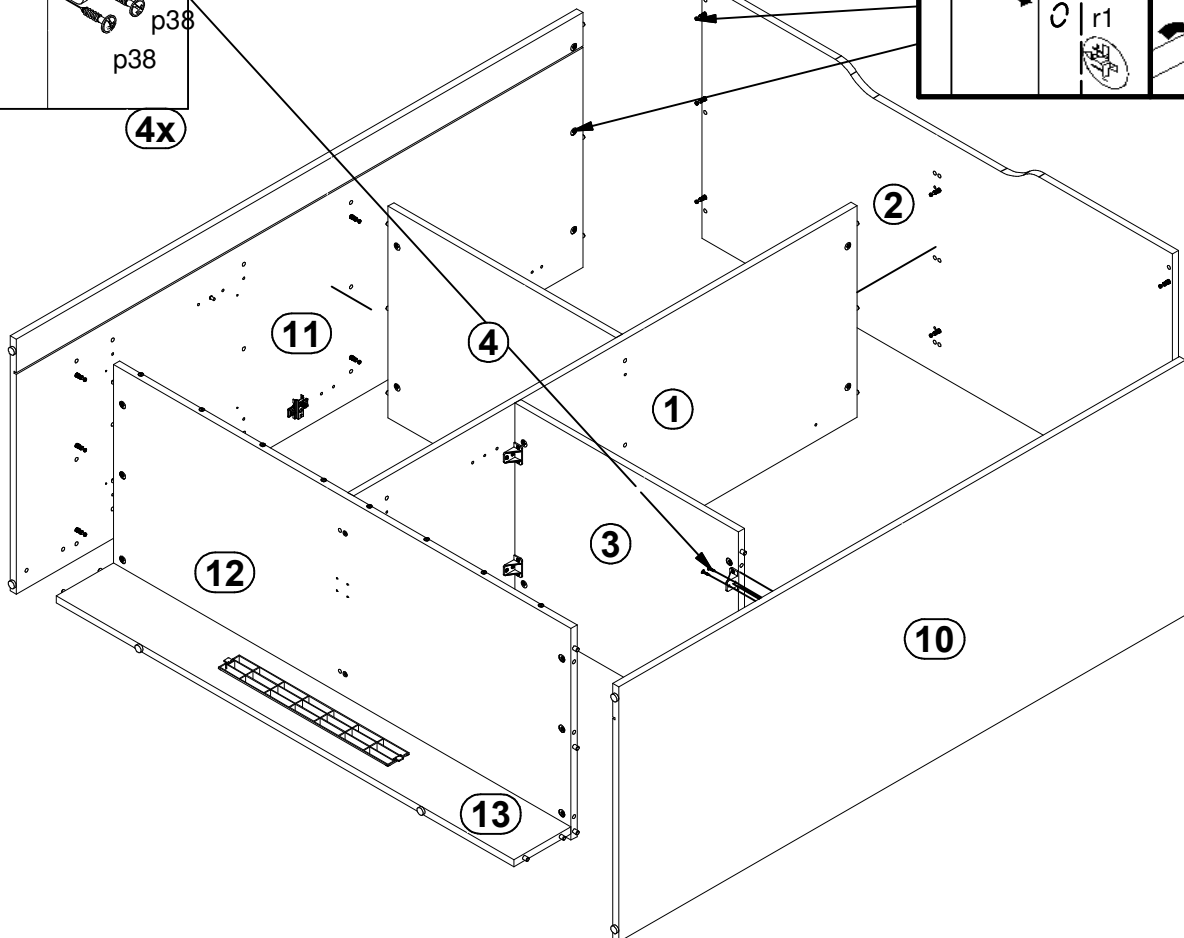
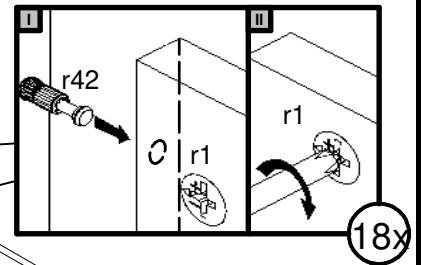
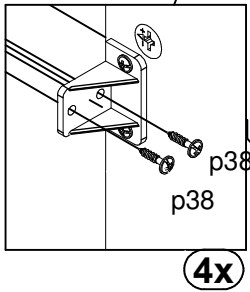
# 10 D



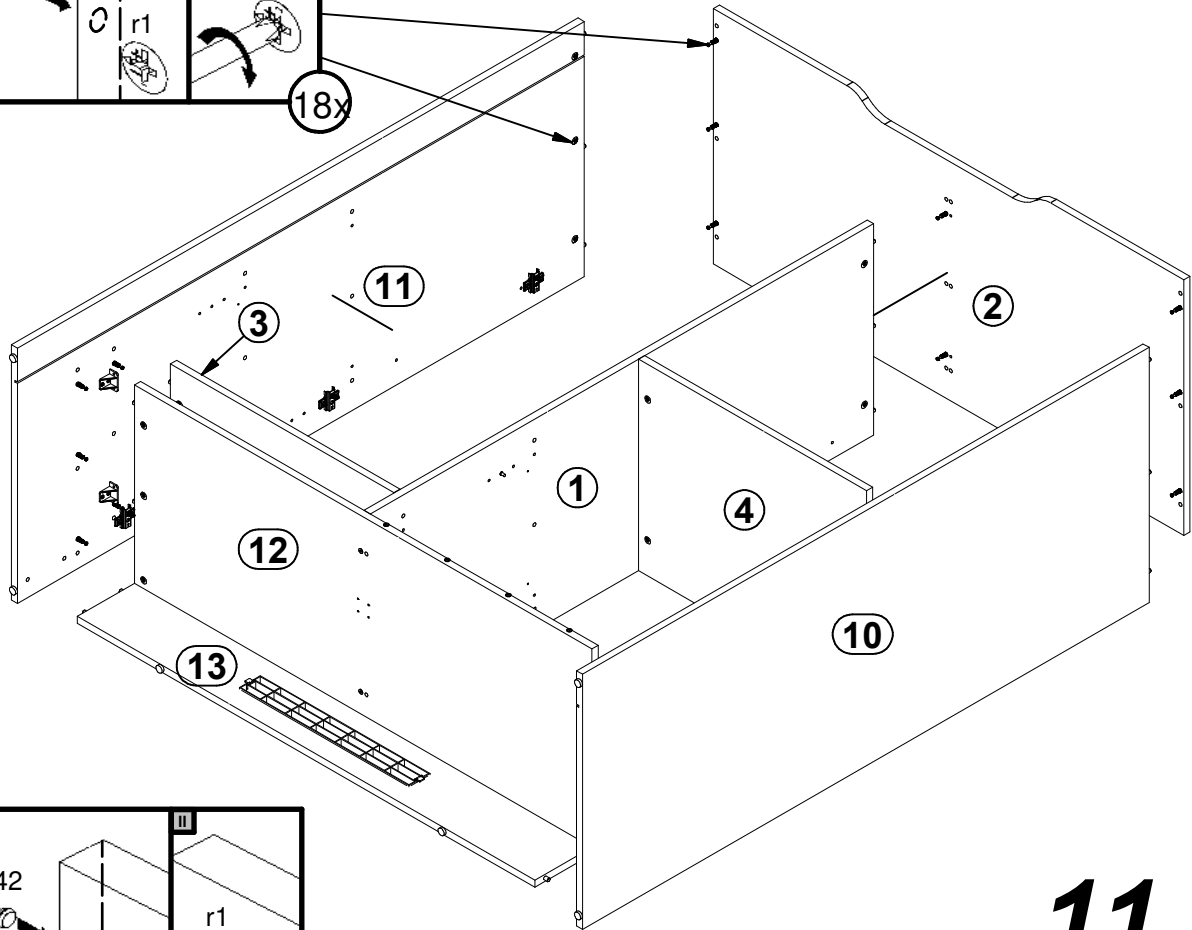
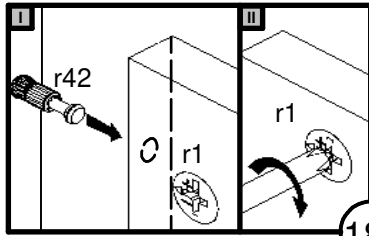
# 11 A



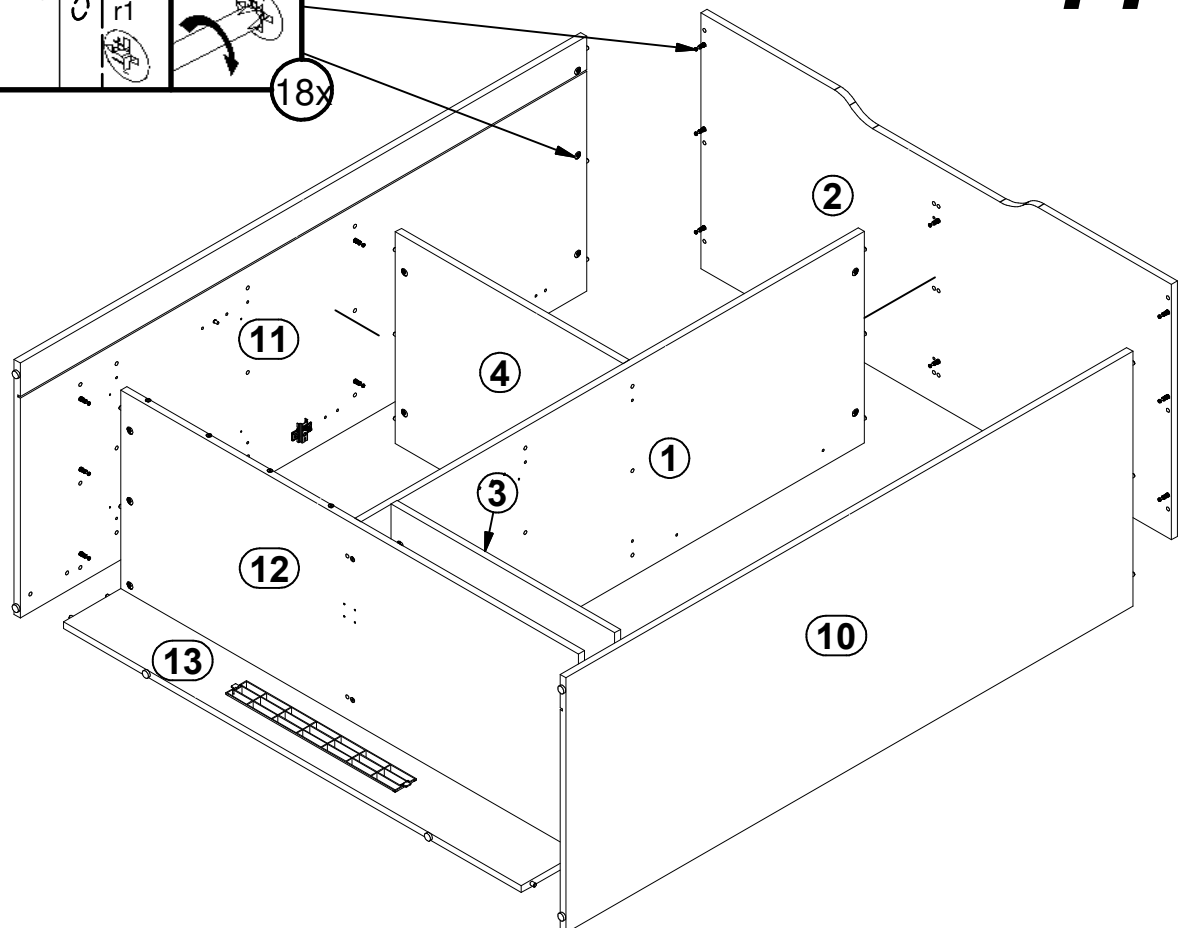
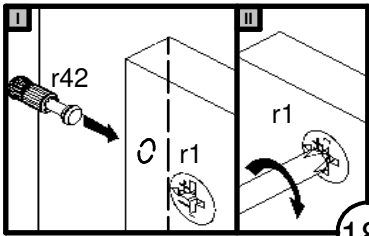
# 11 B

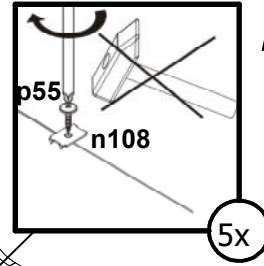
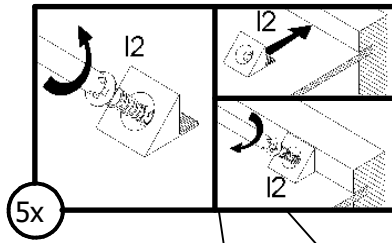


# 11 C

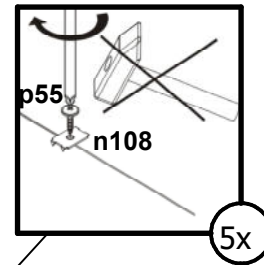
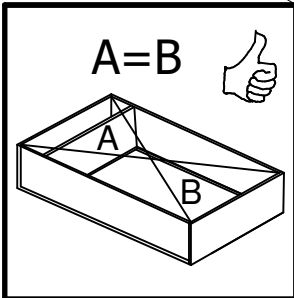
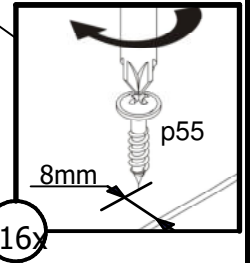
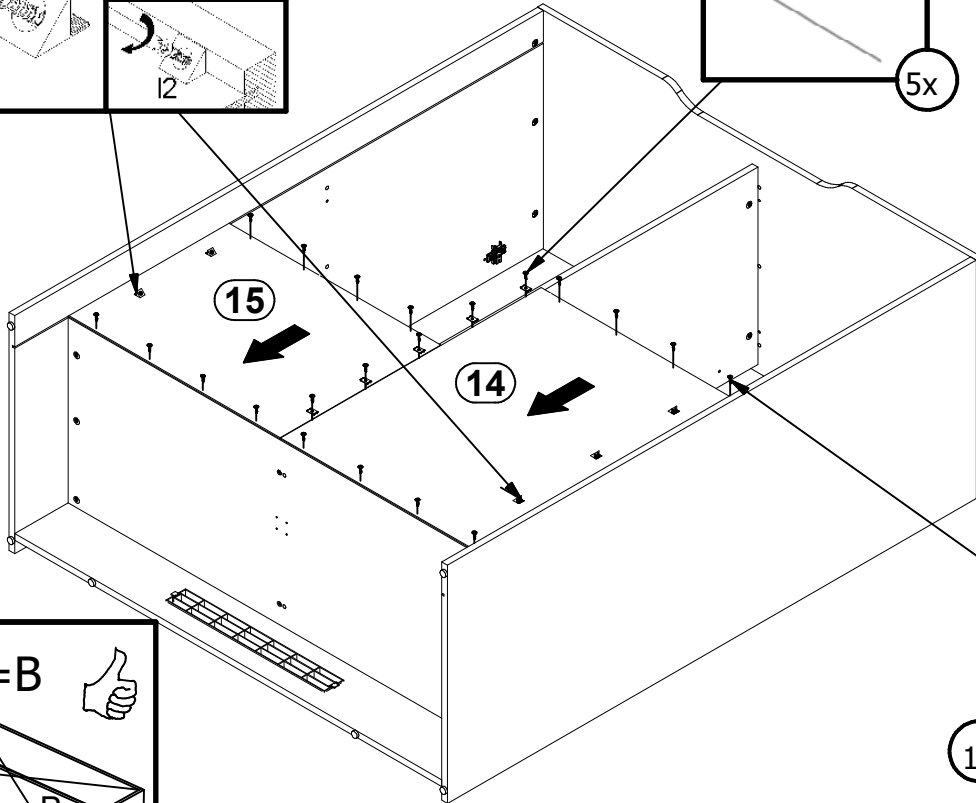


# 11 D

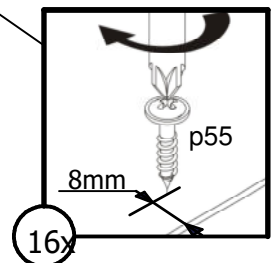
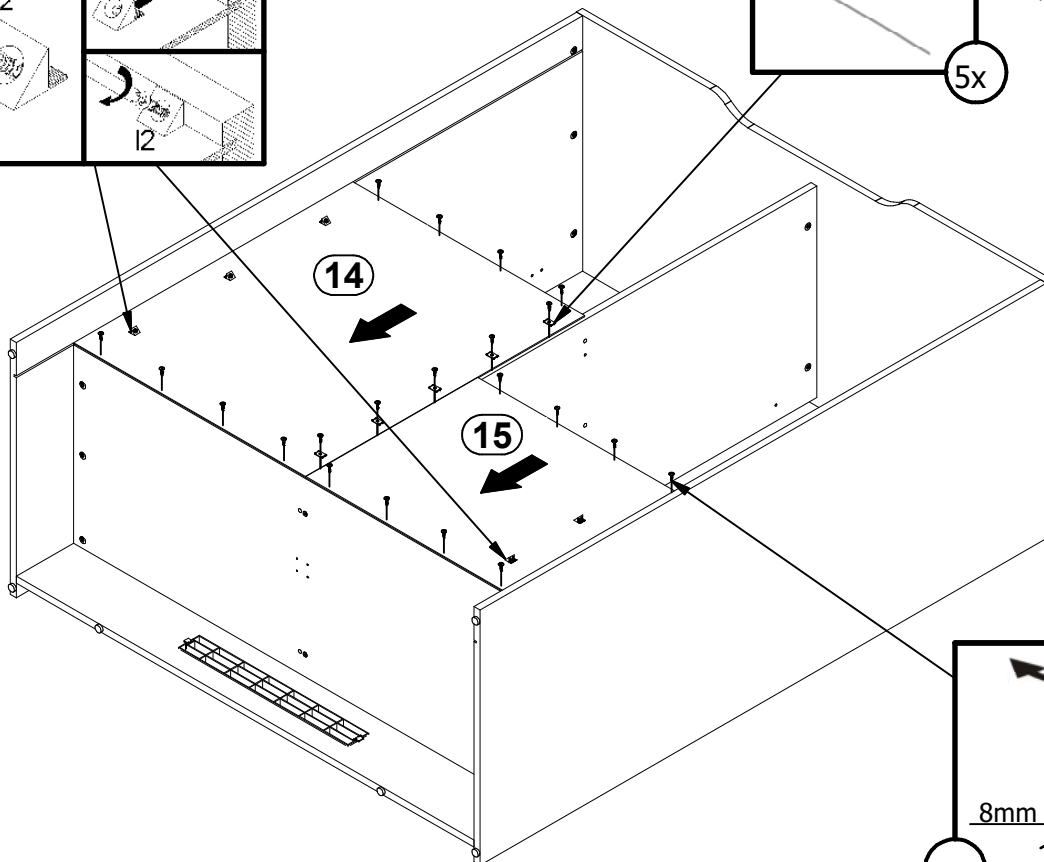
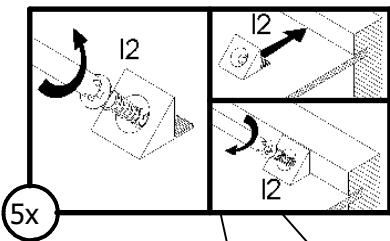




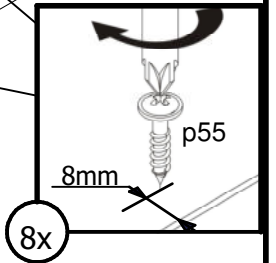
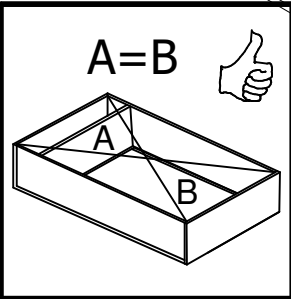
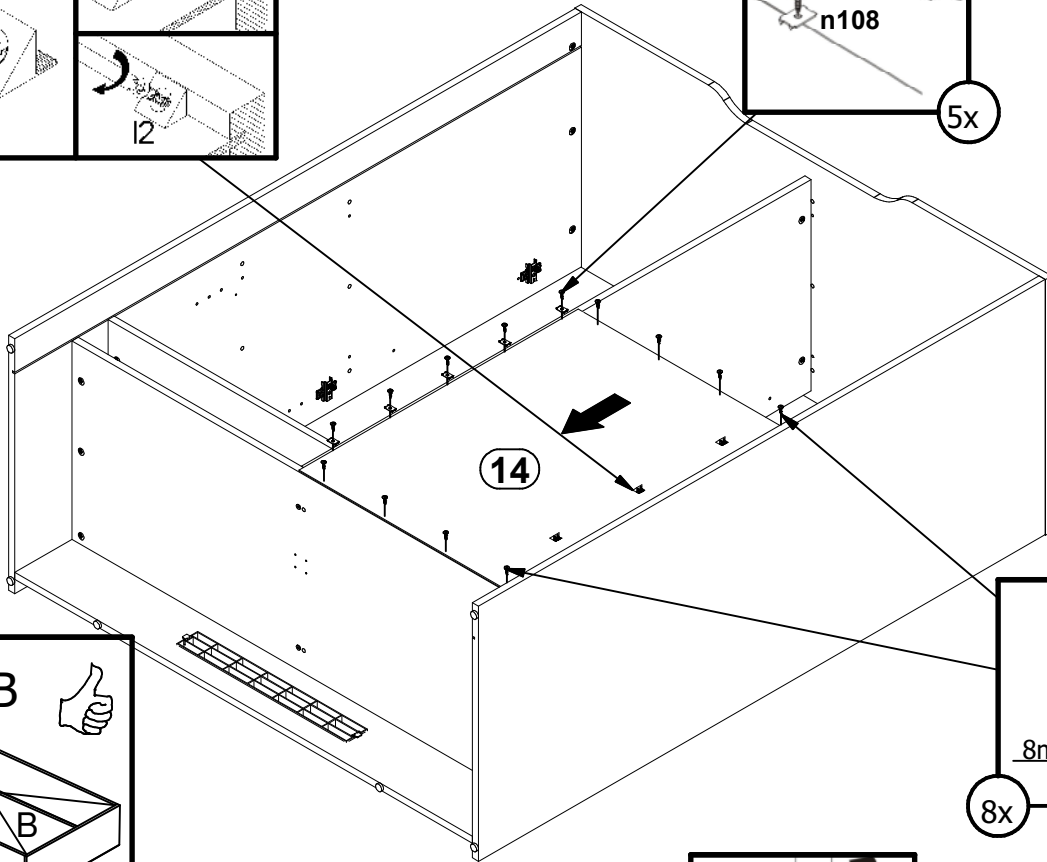
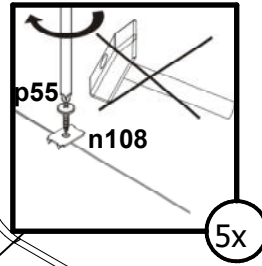
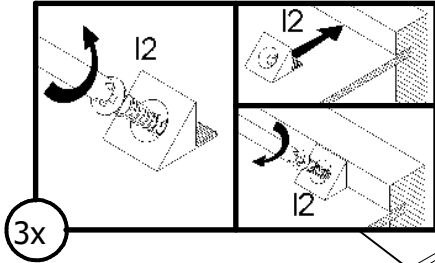
**12 A**



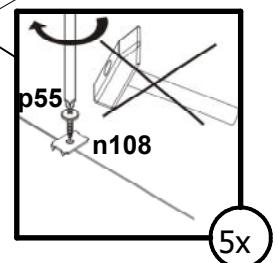
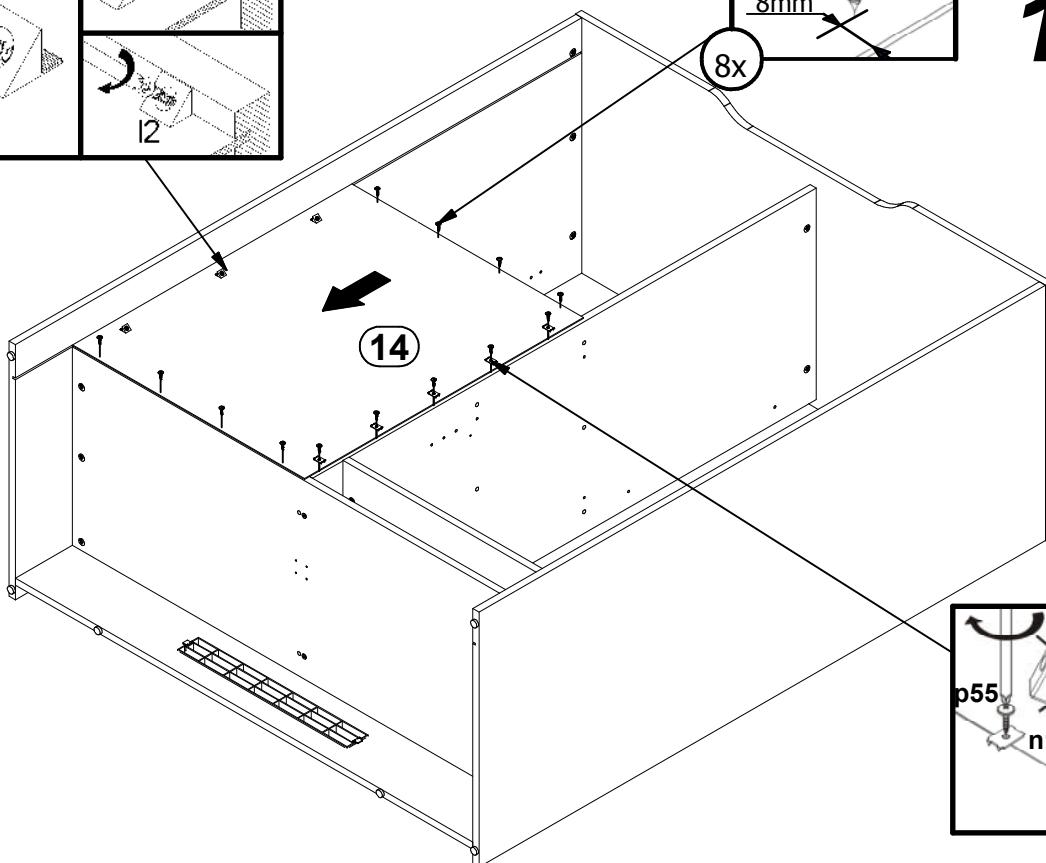
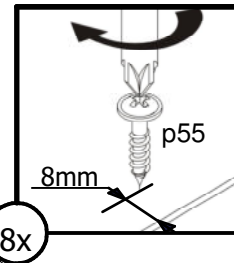
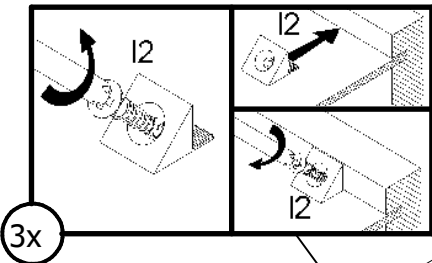
**12 B**



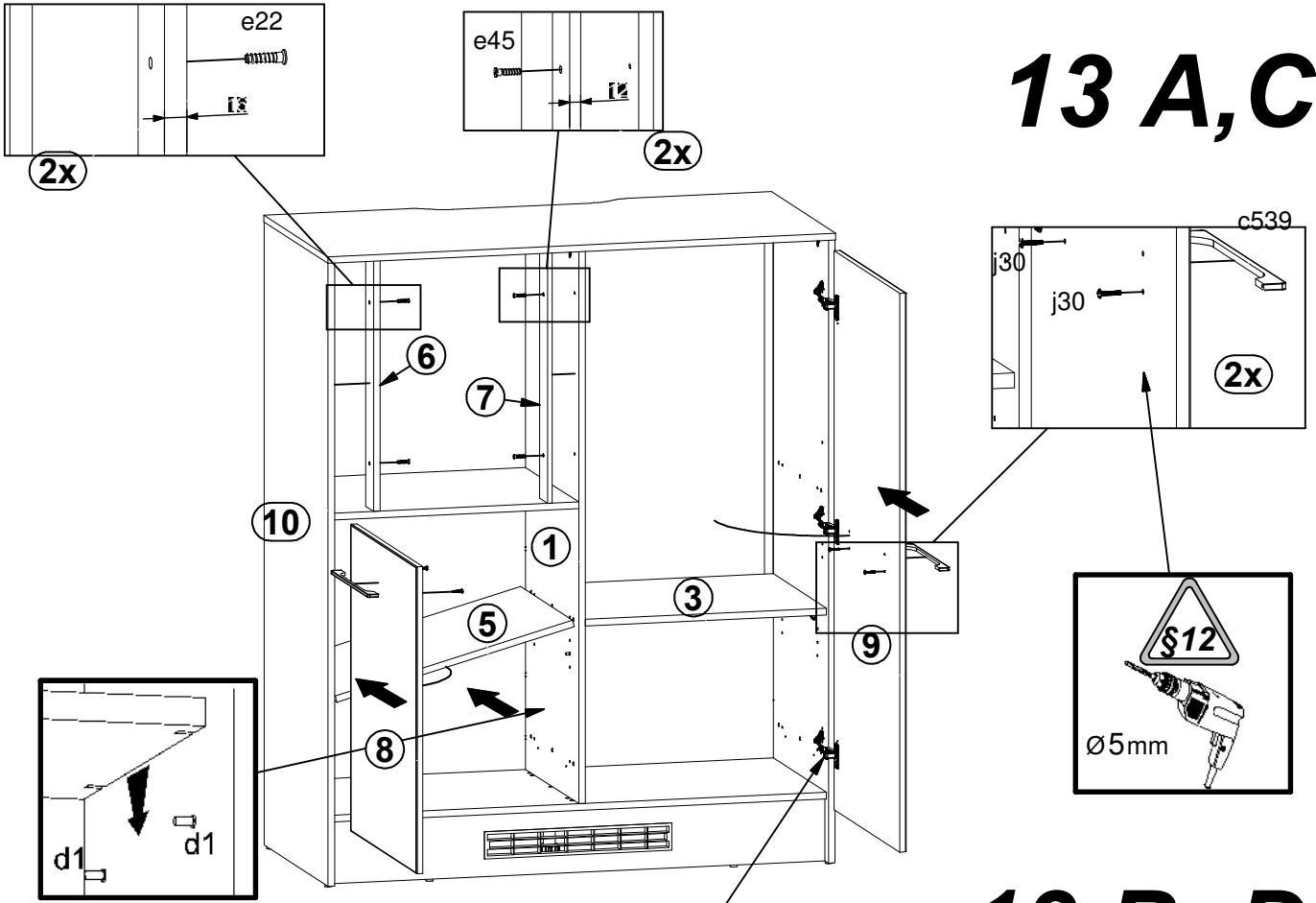
12 C



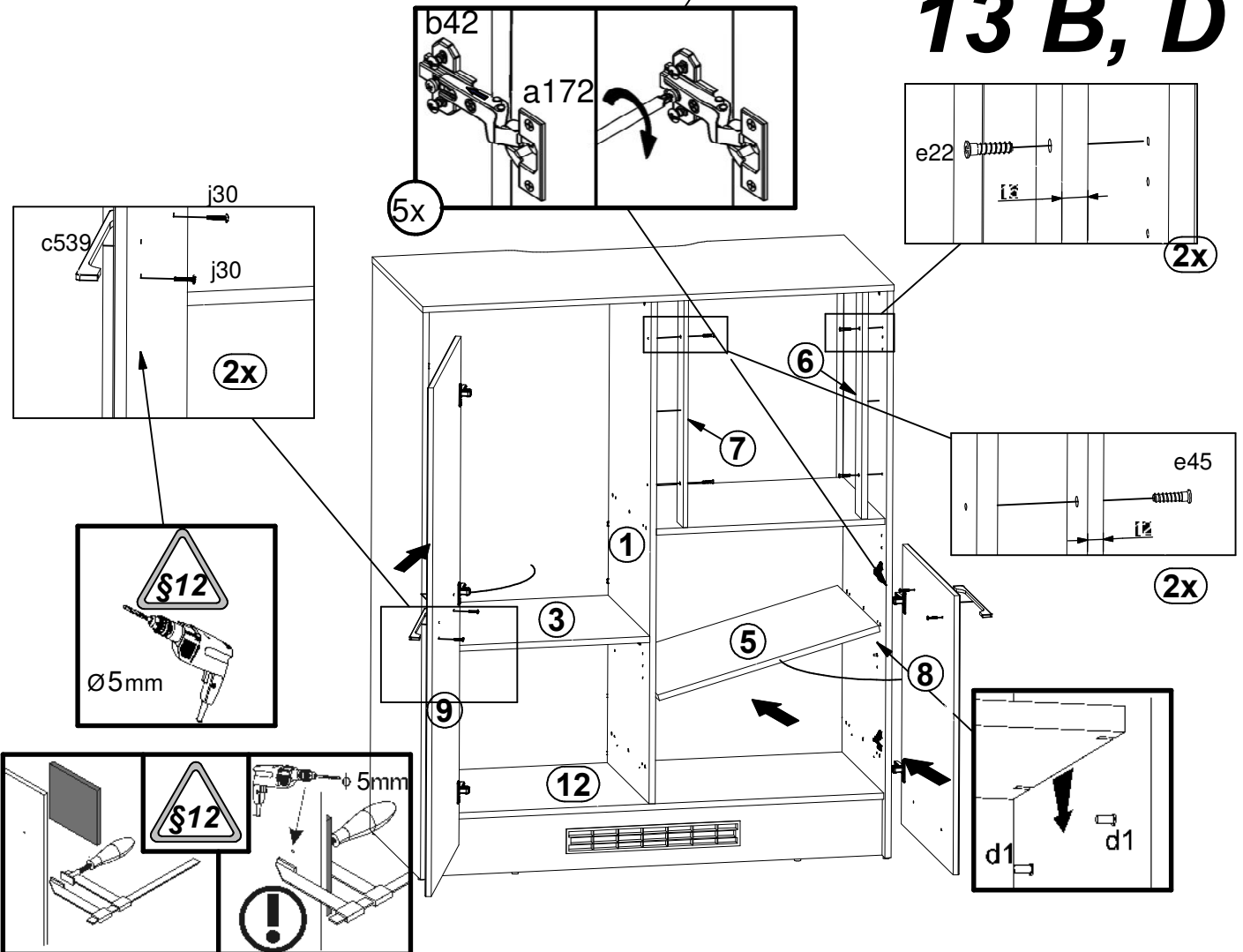
12 D



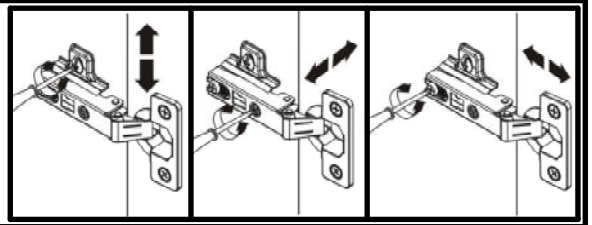
# 13 A, C



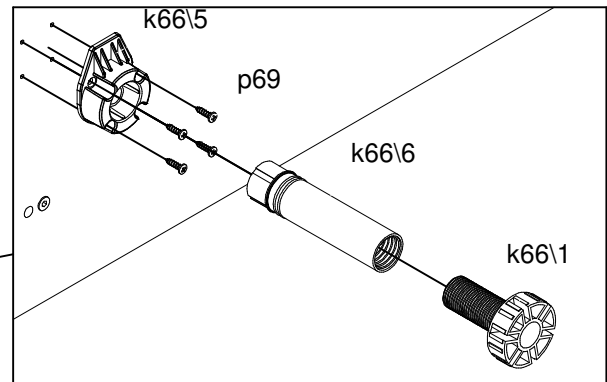
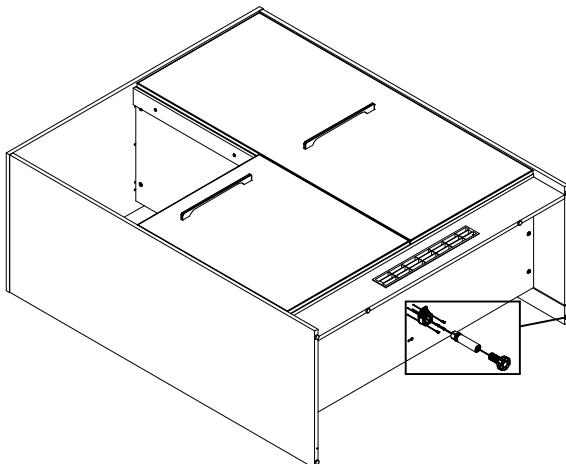
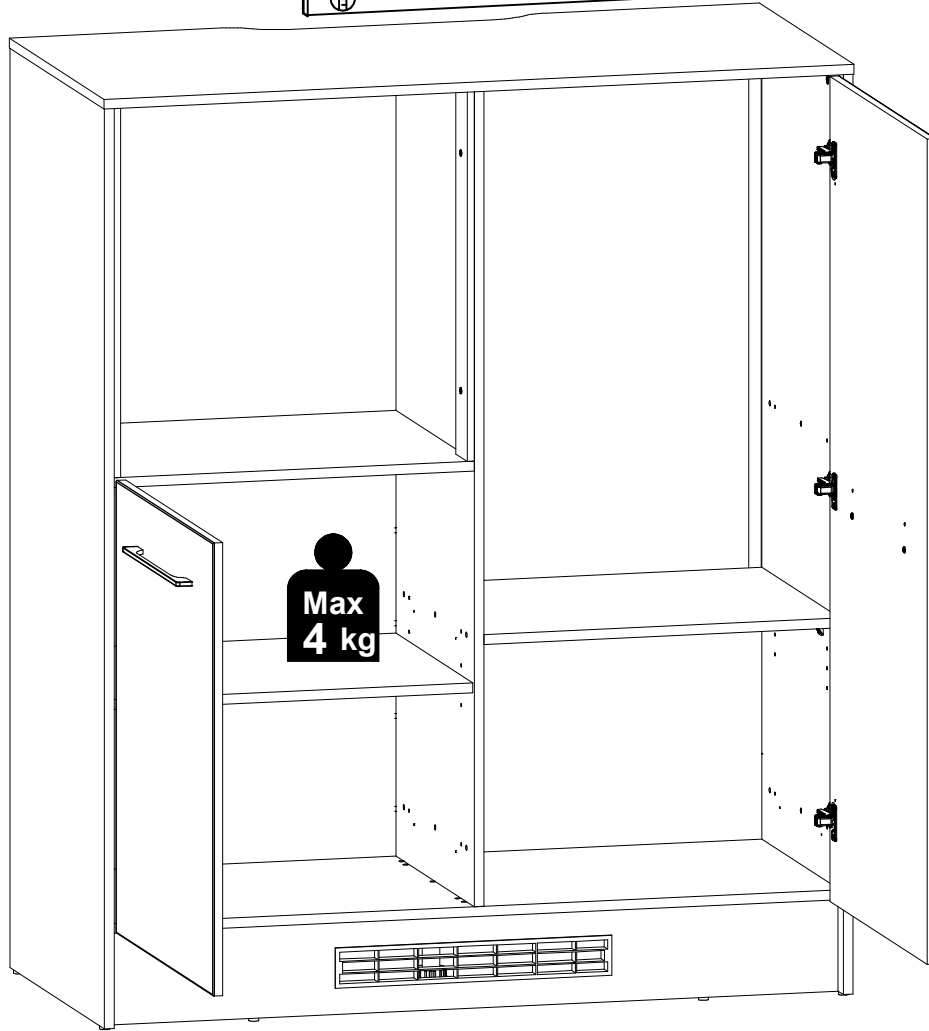
# 13 B, D

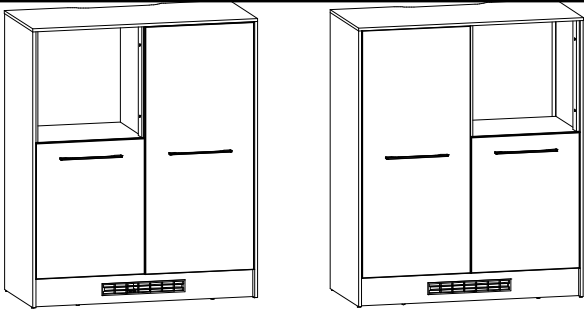




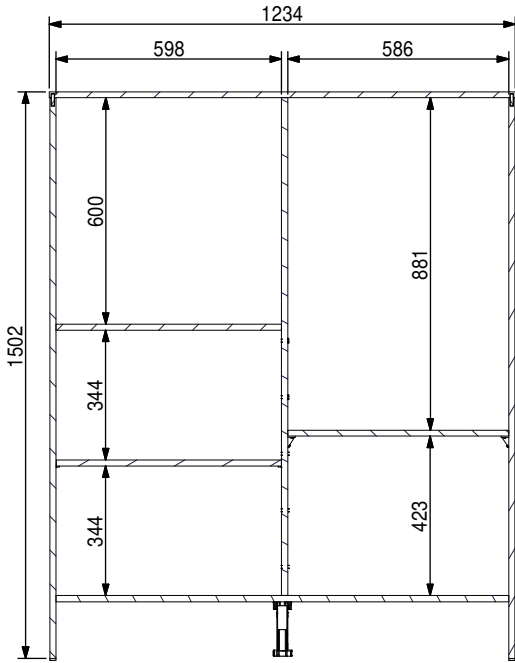


14

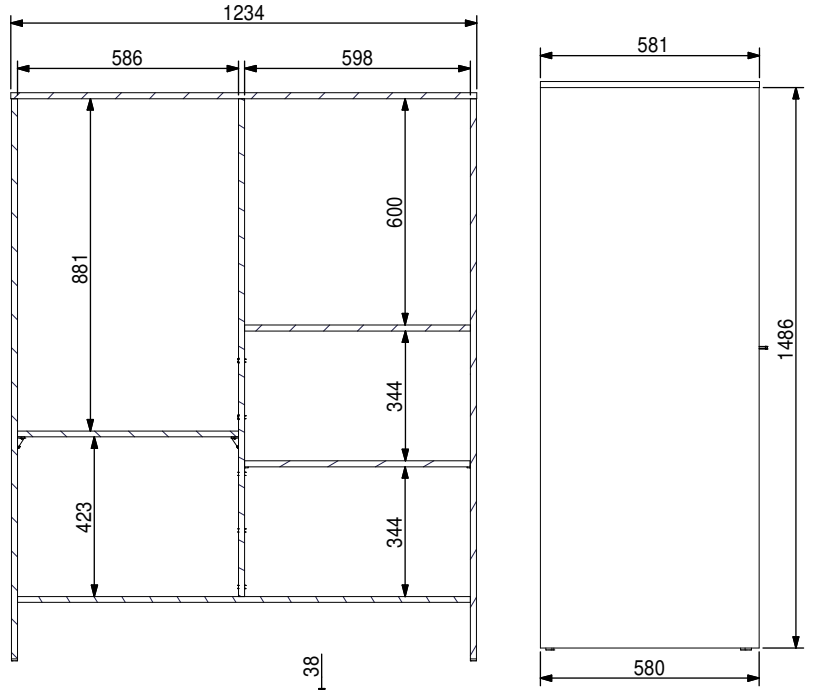




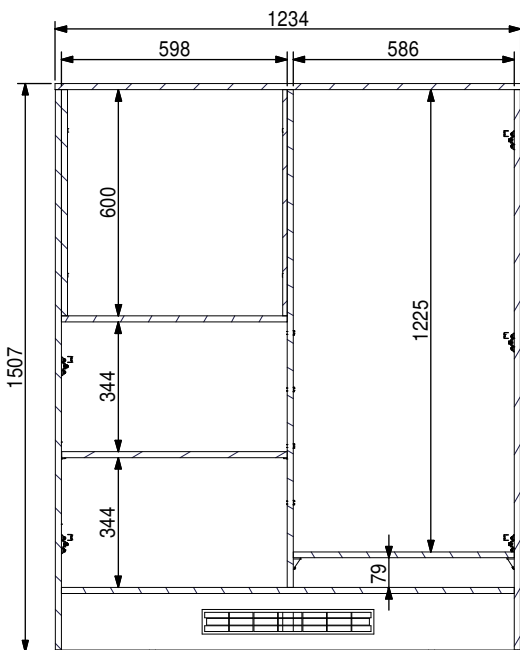
**A**



**B**



**C**



**D**

