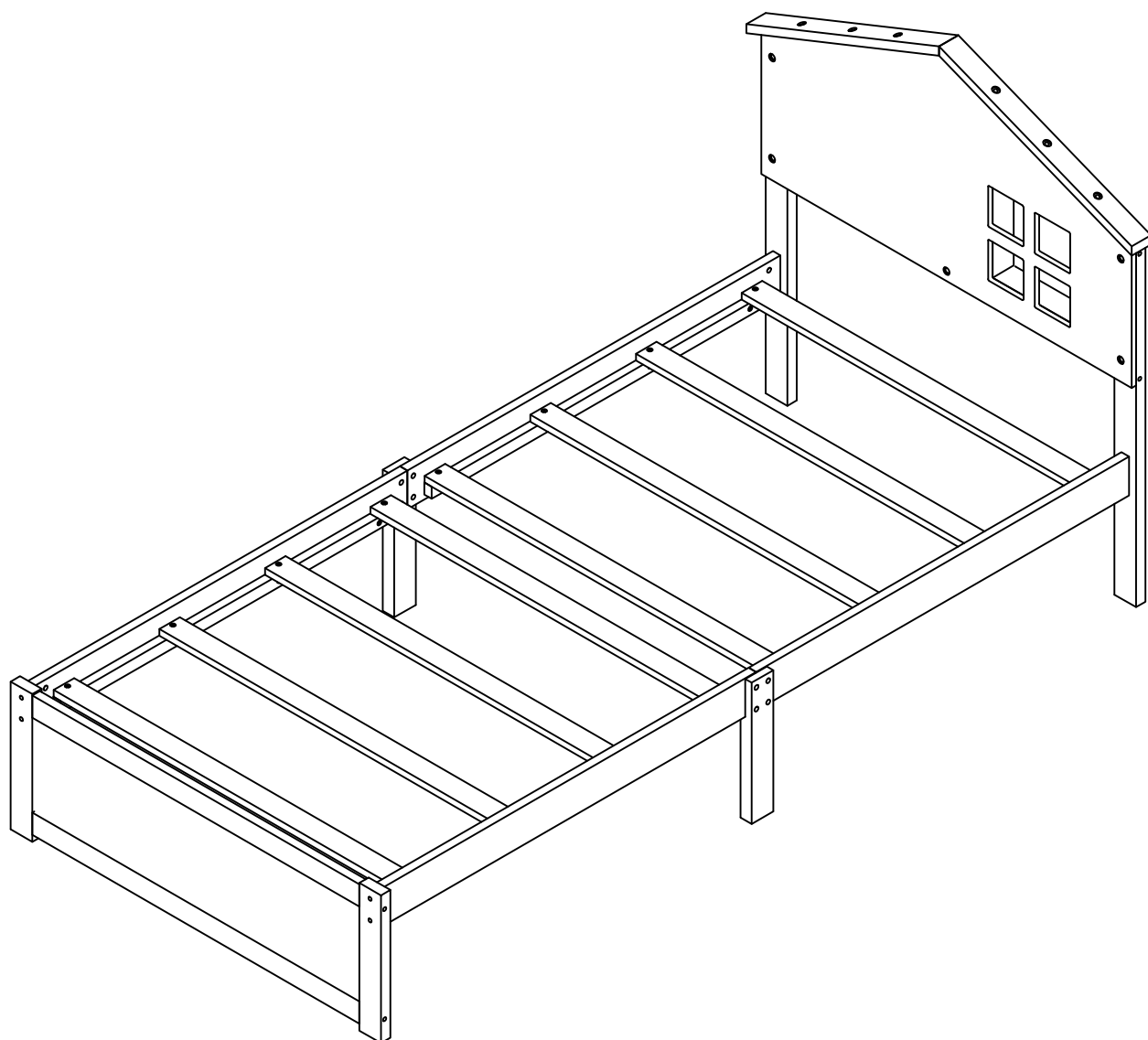


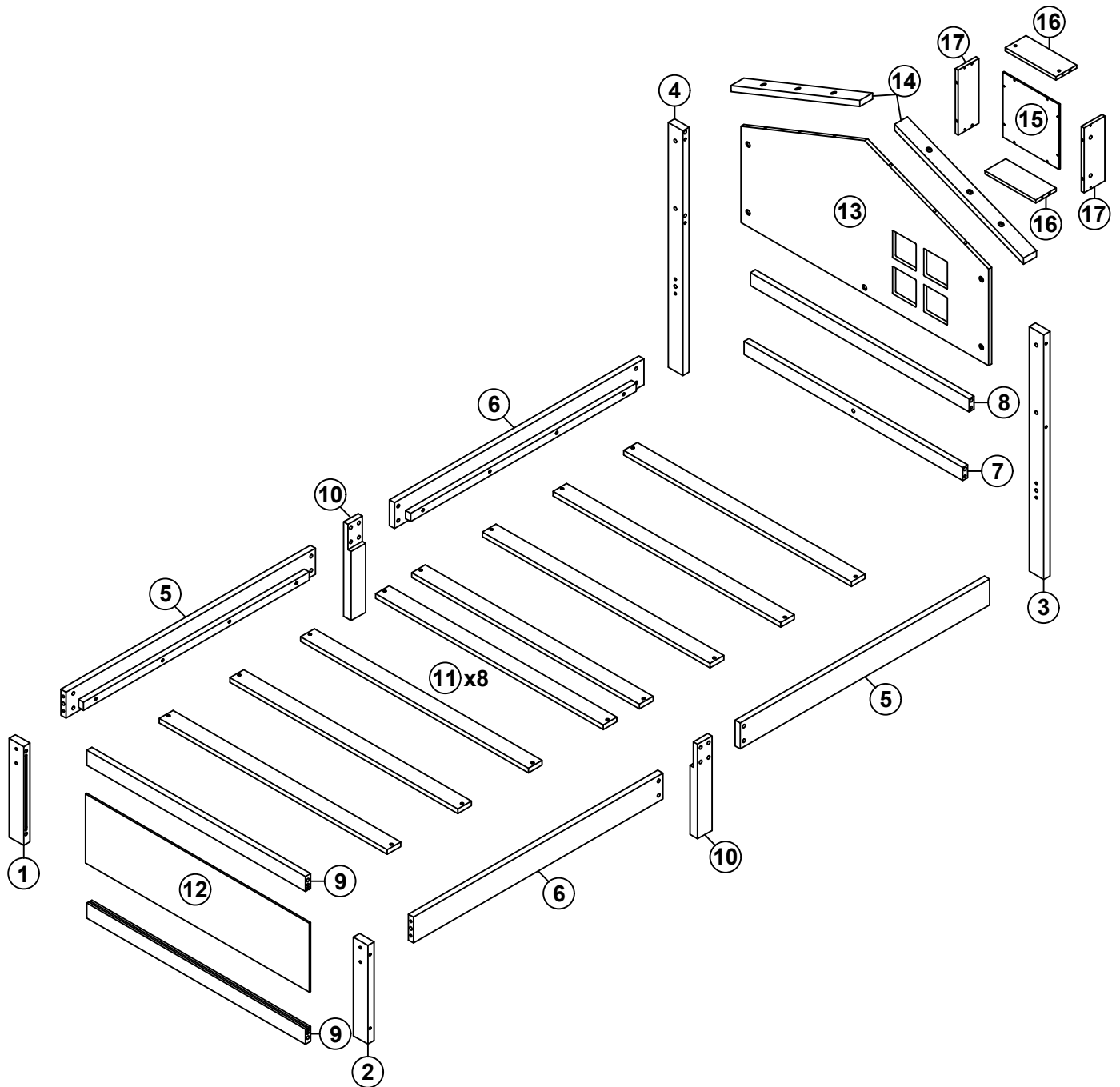
# ASSEMBLY INSTRUCTIONS

## EINZELBETT




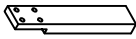
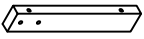
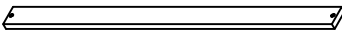
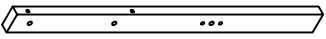
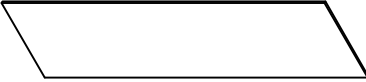
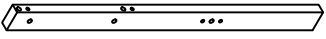
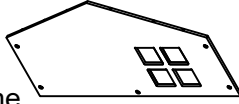
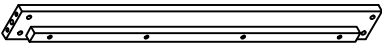

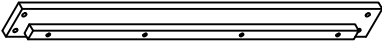
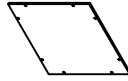
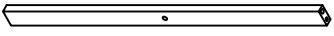
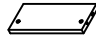
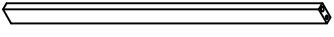


WF318999

# ASSEMBLY INSTRUCTIONS
















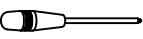


# ASSEMBLY INSTRUCTIONS

## WF318999 (Hardware in this SKU)

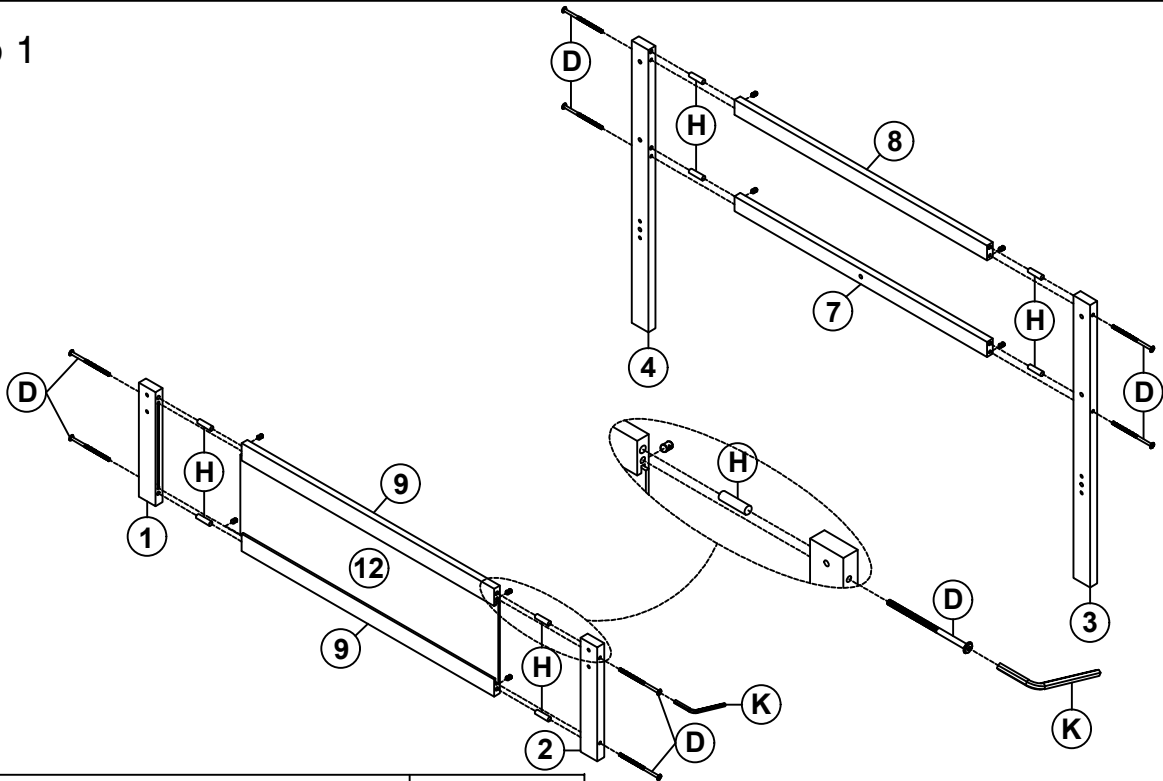
<b>1</b>		1pc	<b>10</b>		2pcs
<b>2</b>		1pc	<b>11</b>		8pcs
<b>3</b>		1pc	<b>12</b>		1pc
<b>4</b>		1pc	<b>13</b>		1pc
<b>5</b>		2pcs	<b>14</b>		2pcs
<b>6</b>		2pcs	<b>15</b>		1pc
<b>7</b>		1pc	<b>16</b>		2pcs
<b>8</b>		1pc	<b>17</b>		2pcs
<b>9</b>		2pcs			




## WF318999 (Hardware in this SKU)

<b>A</b>	Ø4x38		10PCS	<b>I</b>	Ø8x30		4PCS
<b>B</b>	Ø4x30		16PCS	<b>J</b>			1PC
<b>C</b>	Ø3.5x12		16PCS	<b>K</b>	4x58		1PC
<b>D</b>	1/4x110		8PCS	<b>L</b>	Ø8x9		10PCS
<b>E</b>	1/4x65		8PCS	<b>M</b>	15x15x2		4PCS
<b>F</b>	1/4x30		8PCS	<b>N</b>	1/4x25		2PCS
<b>G</b>	1/4x25		4PCS	<b>O</b>	1/4x20		1PC
<b>H</b>	Ø10x40		12PCS		Phillip head screw Not include		

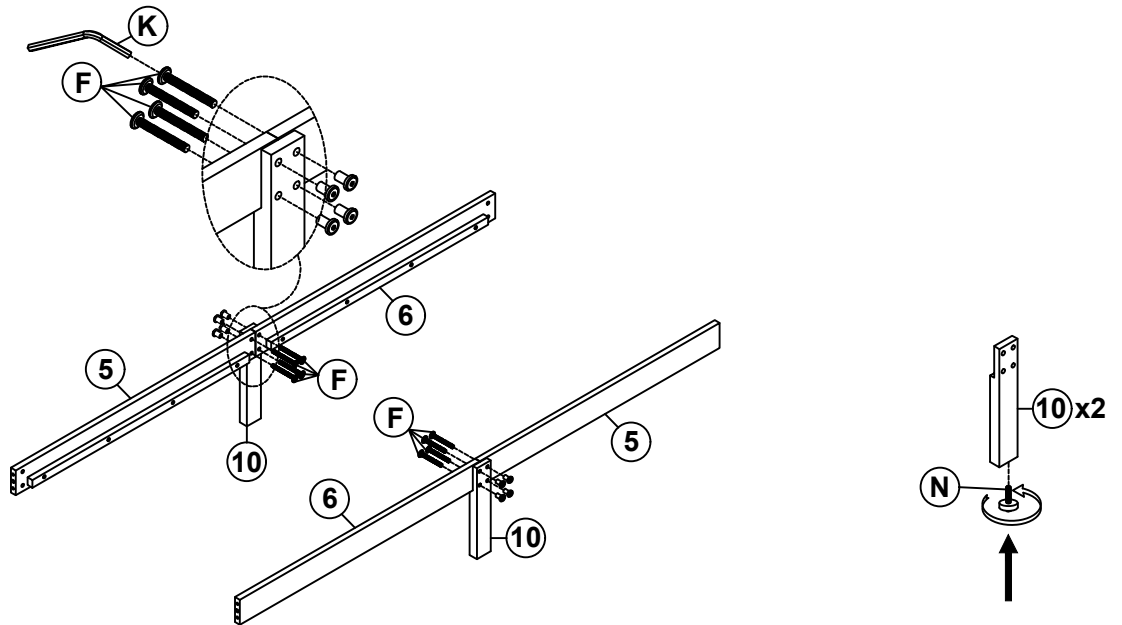
# ASSEMBLY INSTRUCTIONS




Step 1



<b>K</b>	4x58		1PC				
<b>D</b>	1/4x110		8PCS	<b>H</b>	Ø10x40		8PCS

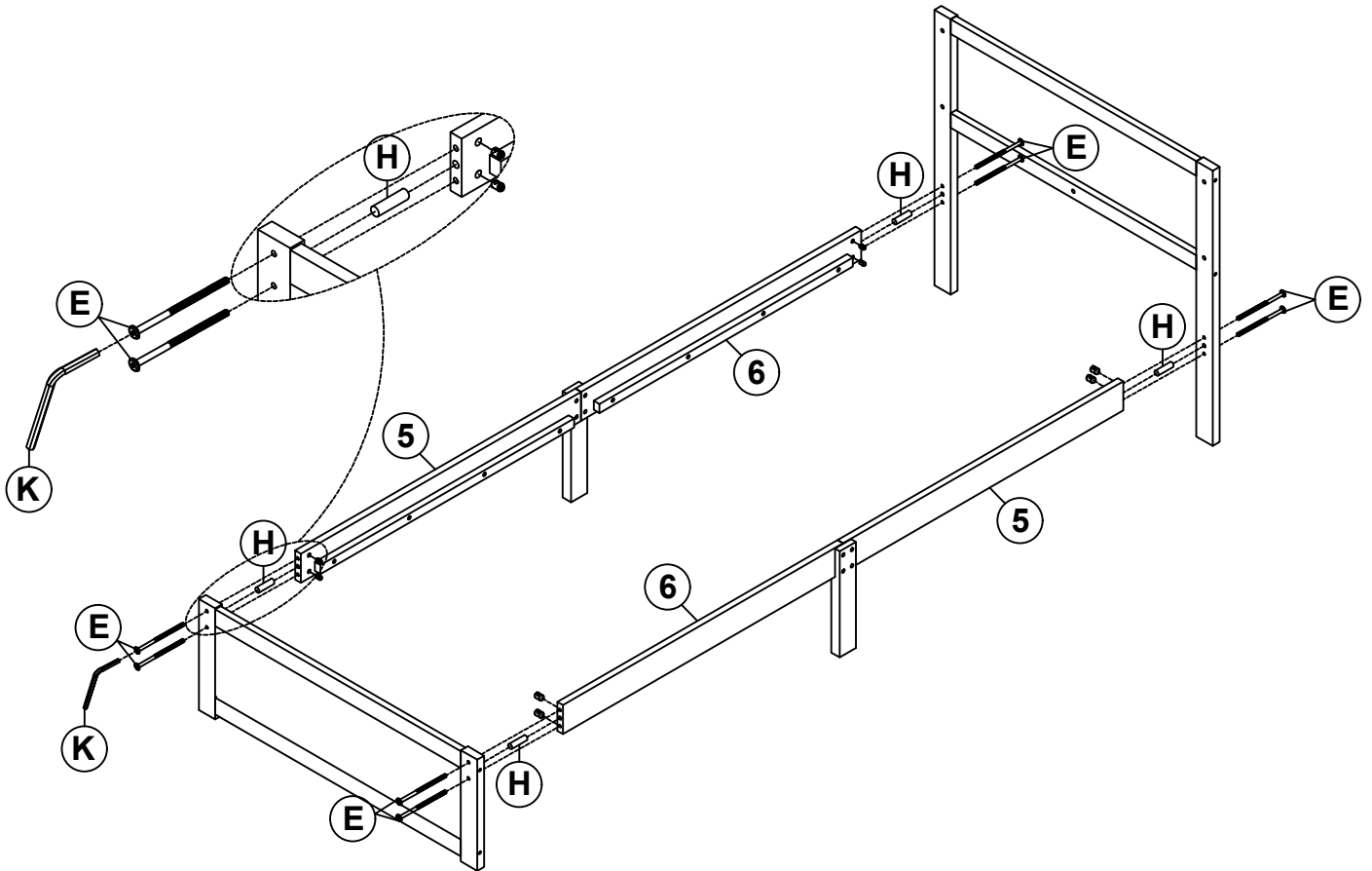
Step 2






				<b>K</b>	4x58		1PC
<b>N</b>	1/4x25		2PCS	<b>F</b>	1/4x30		8PCS

# ASSEMBLY INSTRUCTIONS

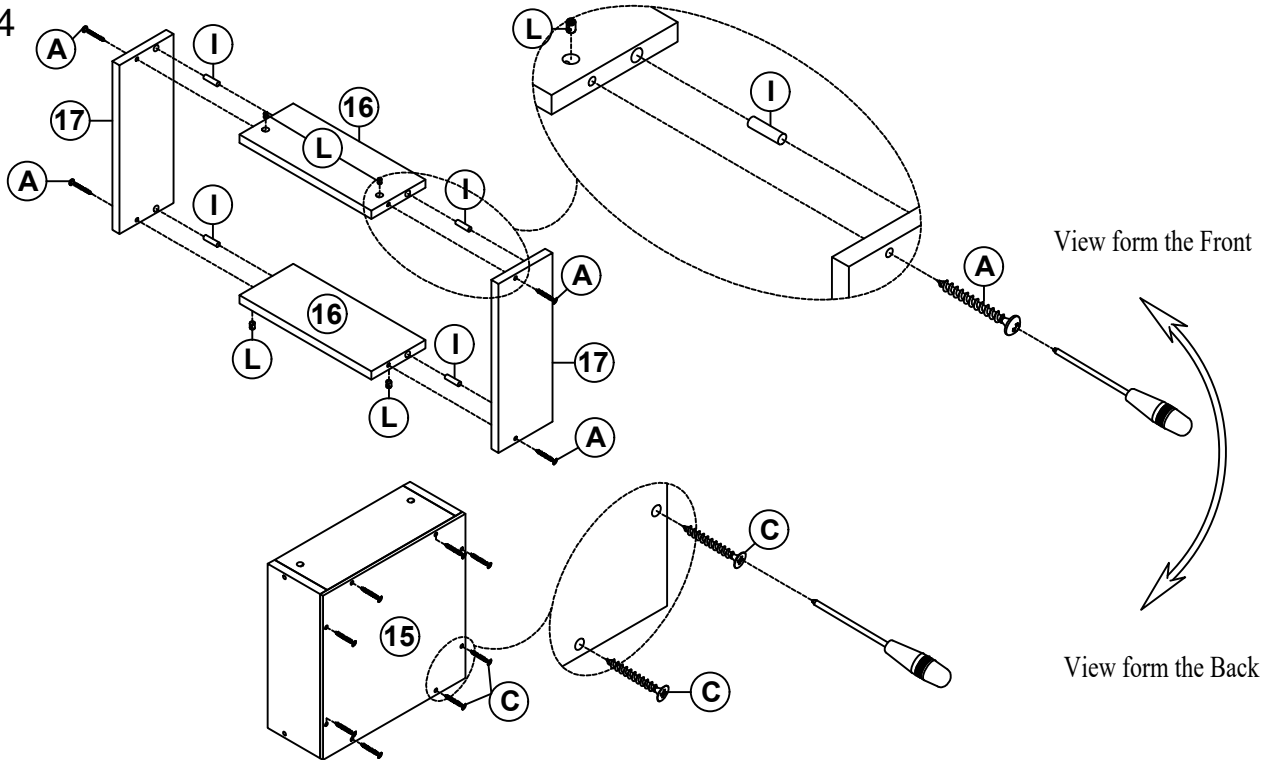
## Step 3







<b>K</b>	4x58		1PC
<b>E</b>	1/4x65		8PCS
<b>H</b>	Ø10x40		4PCS

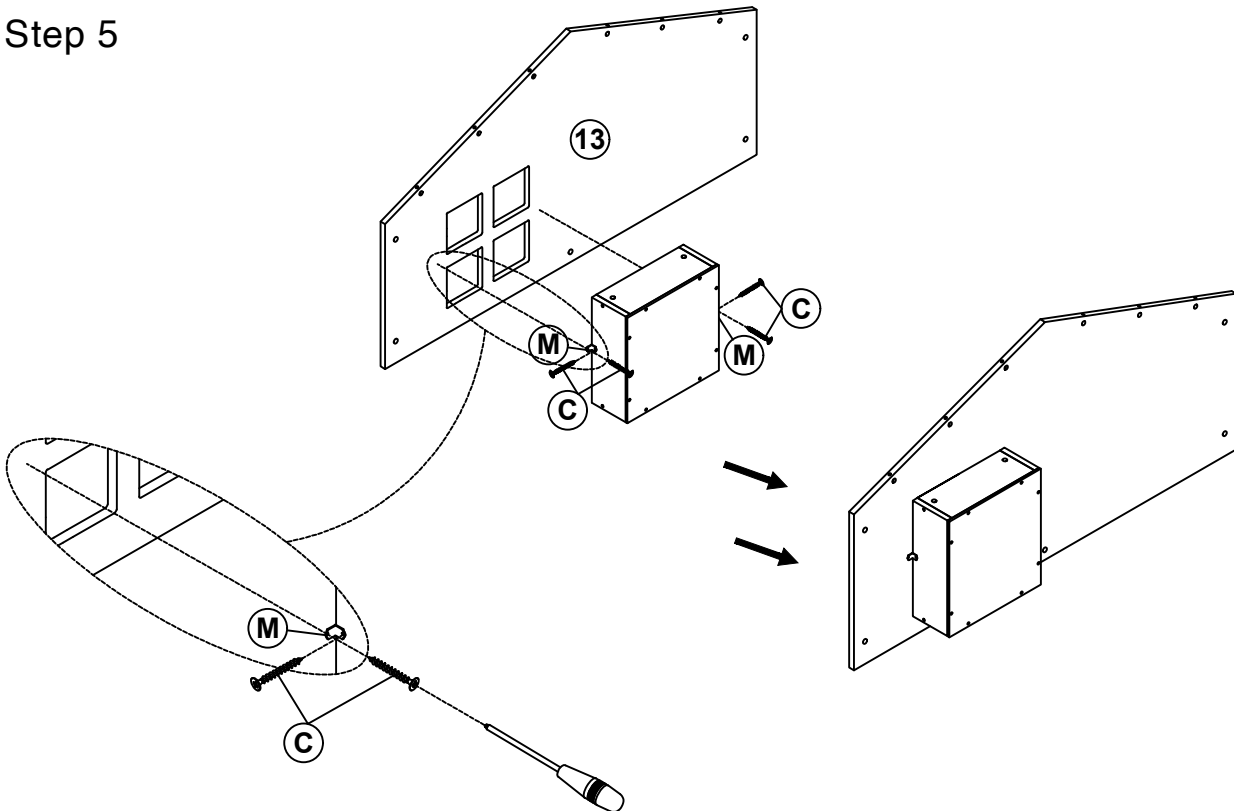
# ASSEMBLY INSTRUCTIONS


Step 4



<b>A</b>	Ø4x38		4PCS	<b>C</b>	Ø3.5x12		8PCS
<b>L</b>	Ø8x9		4PCS	<b>I</b>	Ø8x30		4PCS

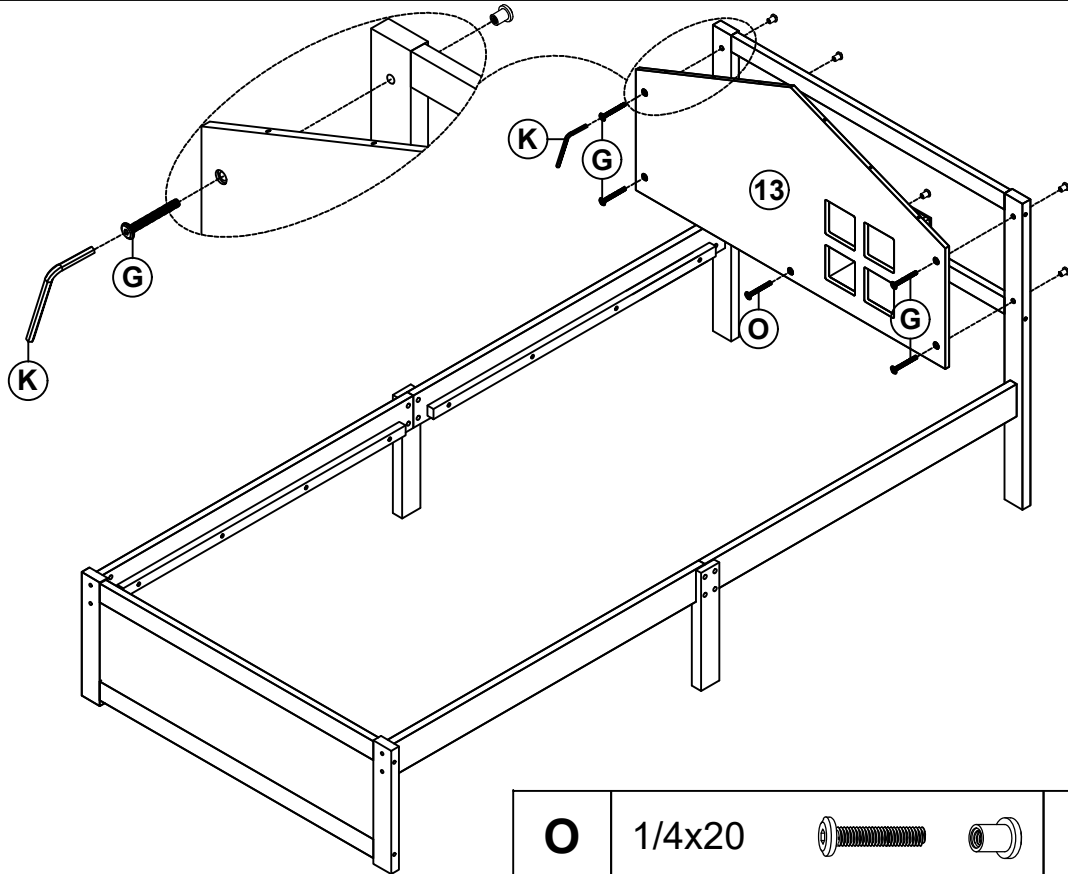
Step 5



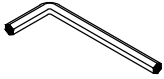


<b>C</b>	Ø3.5x12		4PCS	<b>M</b>	15x15x2		2PCS
----------	---------	---	------	----------	---------	---	------

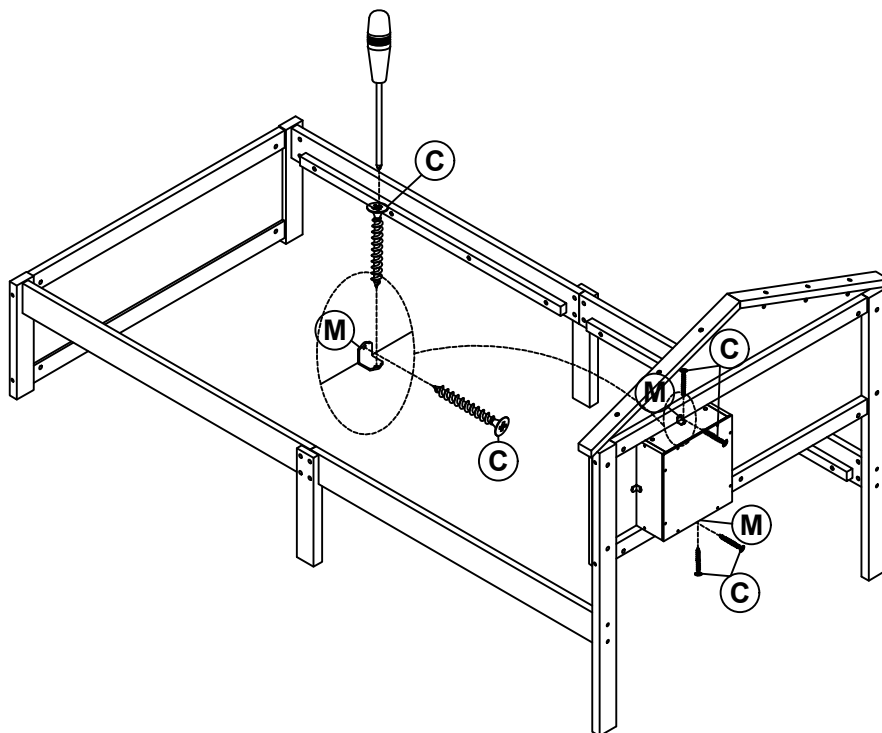
# ASSEMBLY INSTRUCTIONS

Step 6



<b>O</b>	1/4x20		1PC
<b>G</b>	1/4x25		4PCS
<b>K</b>	4x58		1PC

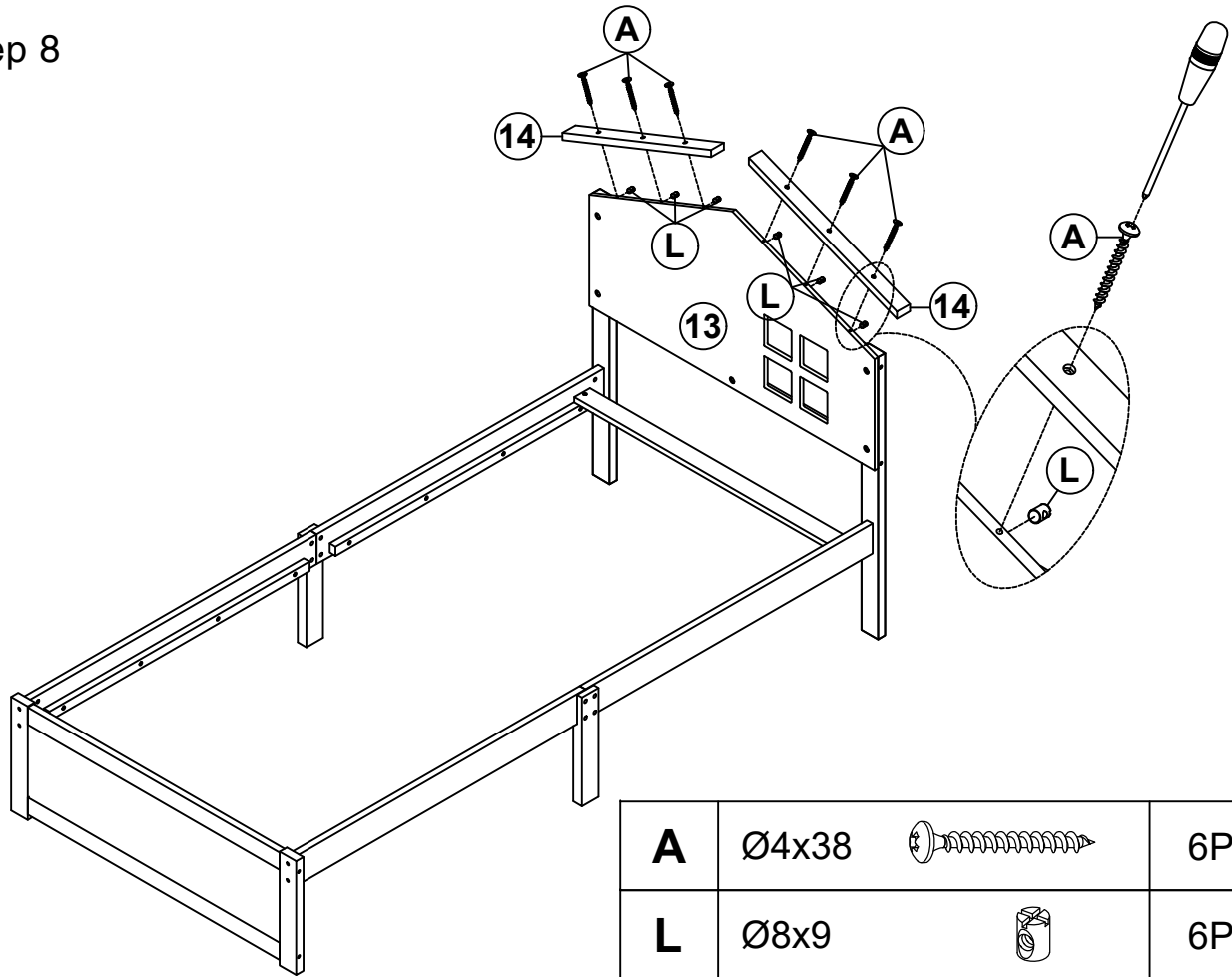
Step 7





<b>C</b>	Ø3.5x12		4PCS	<b>M</b>	15x15x2		2PCS
----------	---------	---	------	----------	---------	---	------

# ASSEMBLY INSTRUCTIONS

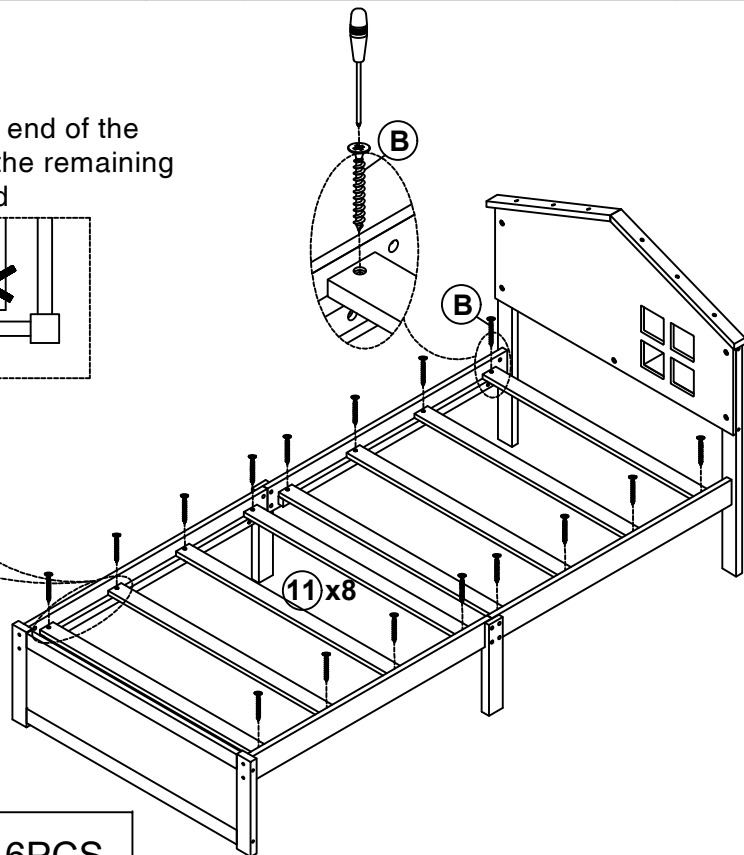
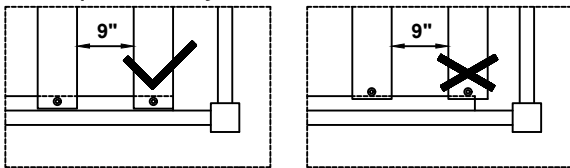
## Step 8




<b>A</b>	Ø4x38		6PCS
<b>L</b>	Ø8x9		6PCS

## Step 9

First attach 2pcs part 11 to the front and end of the frame between headboard. Then attach the remaining part 11 equidistantly between headboard

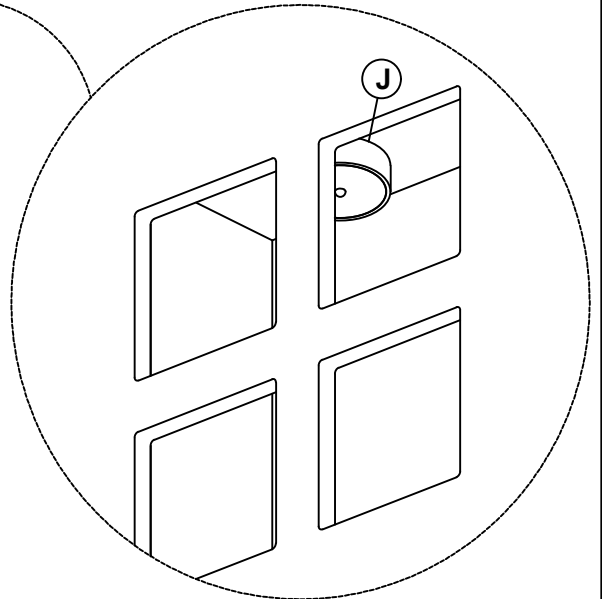
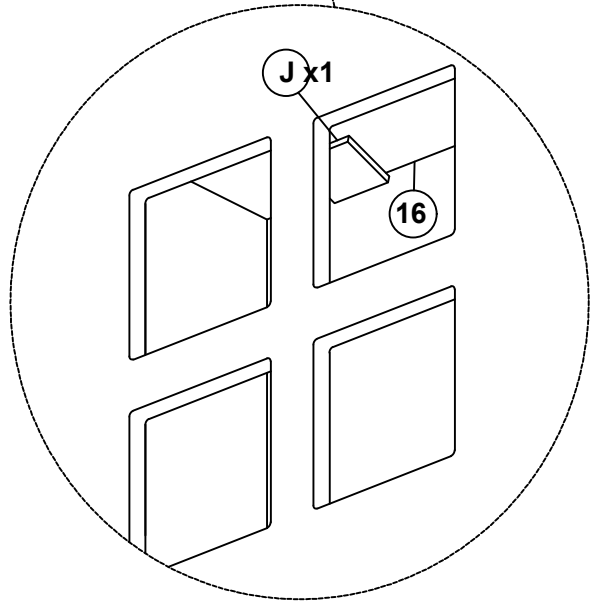
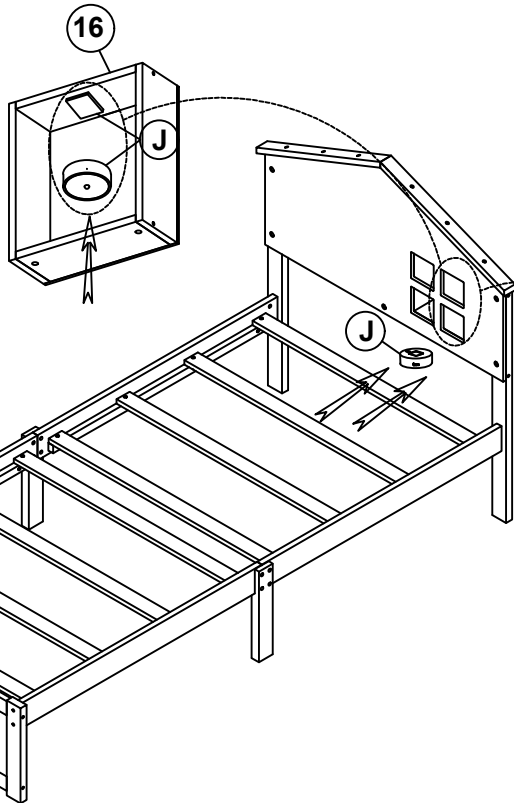
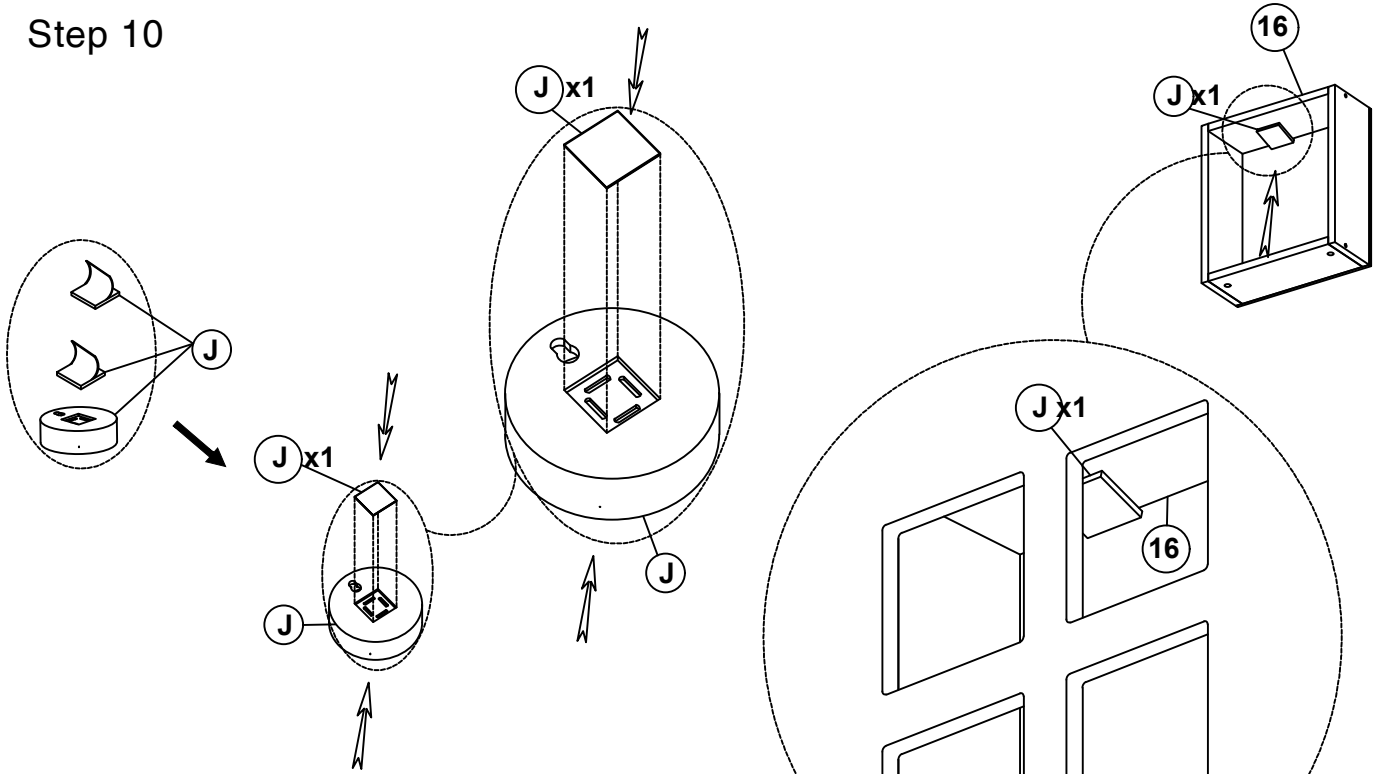


<b>B</b>	Ø4x30		16PCS
----------	-------	---	-------



# ASSEMBLY INSTRUCTIONS

Step 10



**J**



1PC