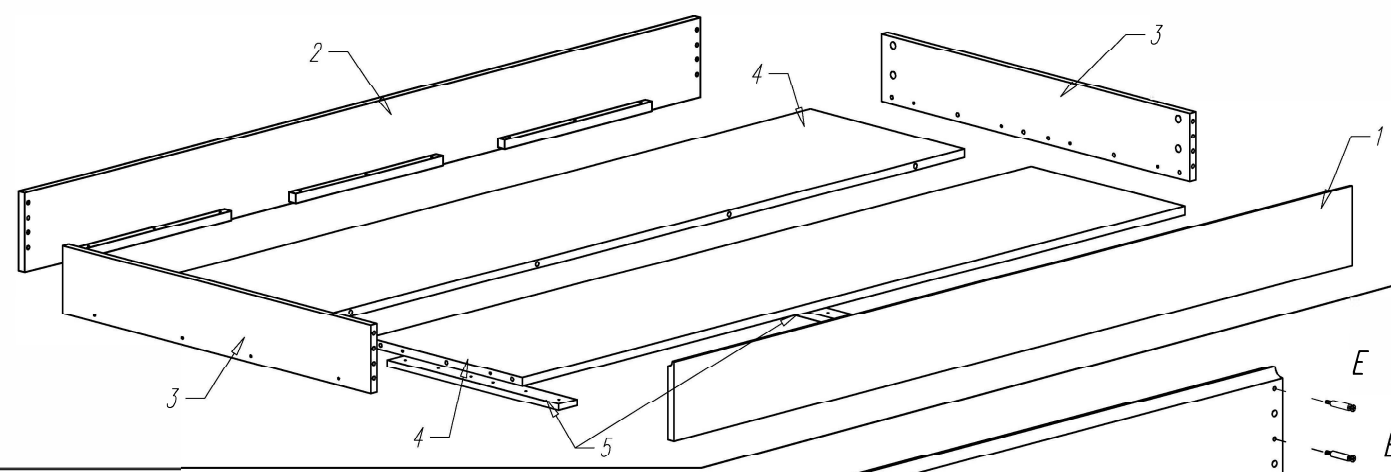


- | A | B | C | D | E | F | G | H | I | |
|--------|-------|-------|---------|---------|-----|---------|---------|----|----|
| | | | | | | | | | |
| ∅10x50 | ∅8x40 | ∅8x50 | M6/L=34 | ST/L=34 | ∅15 | ∅3,5x30 | ∅4,0x16 | | |
| x4 | x20 | x8 | x4 | x4 | x8 | x30 | x14 | x7 | x1 |

LARA-DRAWER 1/2009



! D + E

