



User manual
Gebrauchsanweisung
Gebruikshandleiding
Mode d'emploi

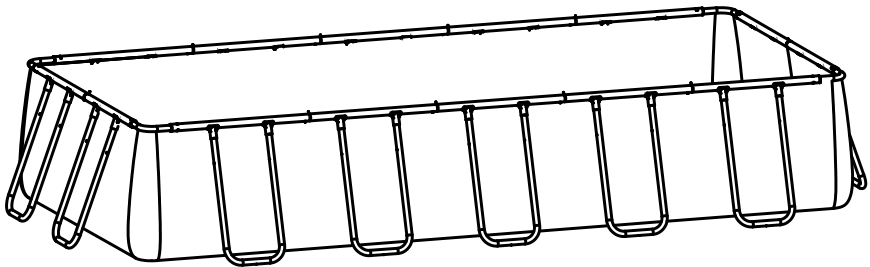
FRAME POOL

18FTX8.2FTX39/48IN

5.4X2.5X1/1.22M

13FTX6.5FTX39/48IN

4X2X1/1.22M



Important safety rules: Before installing and using this product read, understand, follow all instructions carefully and keep it for future reference!

Wichtige sicherheitsregeln: Bevor Sie dieses Produkt installieren und verwenden lesen, verstehen und beachten Sie sorgfältig alle anweisungen, und für künftige bezugnahme aufbewahren!

Belangrijke veiligheidsvoorschriften: Voor installatie en gebruik, zorg dat u alle instructies aandachtig leest, begrijpt, naleeft en bewaar dit document voor latere inzage.

Règles importantes de sécurité: Lisez, comprenez et suivez attentivement toutes les instructions avant d'installer et d'utiliser ce produit! Conserver pour consultation ultérieure!



4

English



6

Deutsch



17

Nederlands



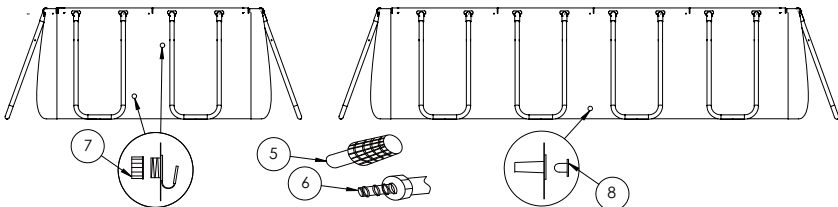
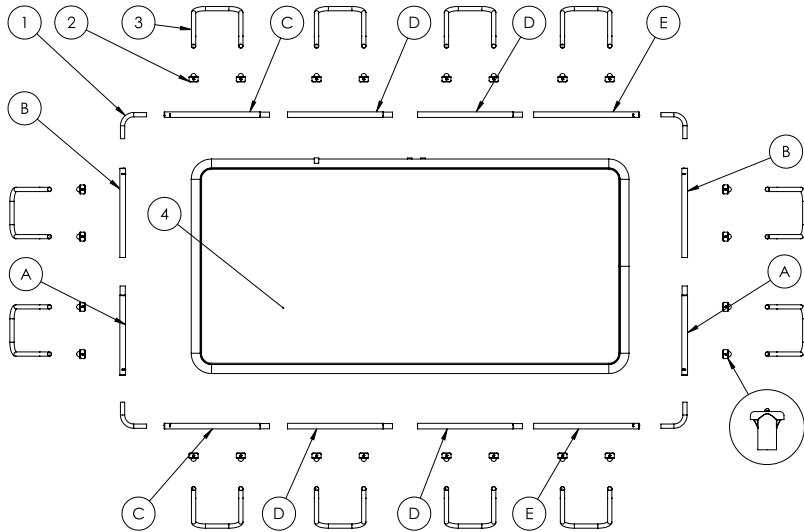
28

Français

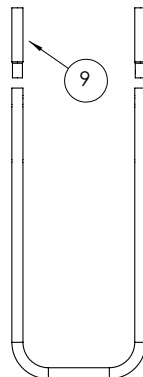


39

1.0 Part reference (4x2x1m)



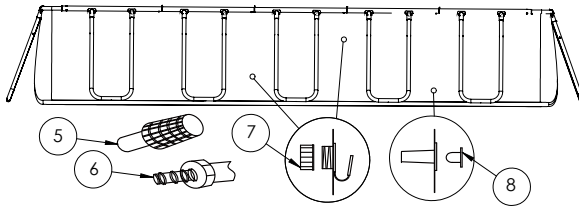
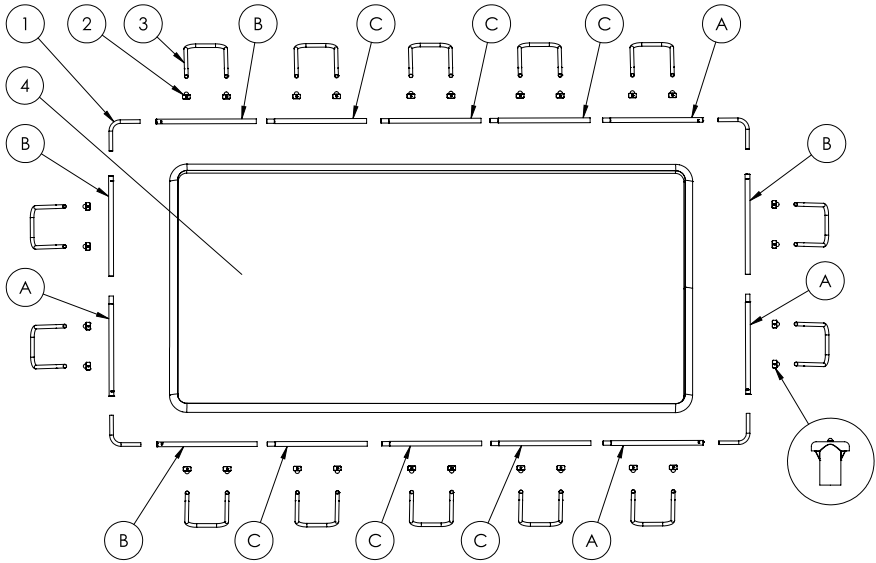
1.1 Part reference (4x2x1.22m)



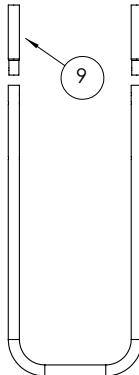
Part	Quantity	No
A	2	PF2905B
B	2	PF2910B
C	2	PF2908B
D	4	PF2906B
E	2	PF2909B
1	4	GN02826
2	24	PF2003B
3	12	PF2005B
4	1	liner
5	2	290312
6	1	290365
7	1	290367
8	2	290311
9*	24	PF2006B

*for 1.22m models

1.2 Part reference (5.4x2.5x1m)



1.3 Part reference (5.4x2.5x1.22m)



Part	Quantity	No
A	4	PF2907B
B	4	PF2901B
C	6	PF2902B
1	4	PF2001B
2	28	PF2003B
3	14	PF2005B
4	1	liner
5	2	290312
6	1	290365
7	1	290367
8	2	290311
9*	28	PF2006B

*for 1.22m models



NOTE: Drawing for illustration purpose only. Actual product may vary. Not to scale. Before assembling your pool, layout and review the contents to become familiar with all the parts you will be using during the assembly:

HINWEIS: Die Zeichnungen dienen nur der Illustration. Das tatsächliche Produkt könnte etwas anders aussehen. Nicht maßstabsgetreu. Bevor Sie Ihren Pool zusammenbauen, breiten Sie den angelieferten Inhalt aus und überprüfen Sie ihn, um sich mit allen Teilen, die Sie während der Montage benötigen, vertraut zu machen:

OPMERKING: de tekening is uitsluitend bedoeld voor illustratiedoeleinden. Het werkelijke product kan verschillen. Niet volgens schaal. Voordat u het zwembad monteert, moet u de inhoud openleggen en controleren zodat u de onderdelen die u bij de montage zult gebruiken, leert kennen:

REMARQUE : Dessin à but d'illustration uniquement. Le produit réel peut varier. N'est pas à l'échelle. Avant de monter votre piscine, disposez et passez en revue le contenu pour vous familiariser avec toutes les pièces que vous utiliserez pendant le montage.

2.0 Introduction

Congratulations on choosing a EXIT Frame Pool!

Have fun, be active and play outdoors.....

That's what keeps driving us to develop innovative, quality toys for cool kids and parents.

We do everything possible to develop safe products for children. As our products are classed as toys, we comply with the toughest consumer safety regulations. Before launching our products onto the market, we have independent tests carried out for certification. We also continuously test our production runs and periodically have independent tests performed again as a further check. Only products which live up to the highest EXIT Toys standard are marked with and recognized by the EXIT-brand.

"We want to thank you for your custom and your confidence in this product. We're sure your kids will have as much fun as we did during development. Being open-minded, we really appreciate all comments and ideas which will help us improve our products or develop new ones. You are invited to send your ideas to us at info@exittoys.com"

3.0 Guidelines for safe use

Using your Frame Pool as instructed in this manual will eliminate virtually all hazards. However, please bear in mind that children have a natural urge to play and that this may lead to unforeseen dangerous situations for which the manufacturer cannot be held responsible. Teach your children how to use the product and point out possible dangers to them.

Before assembling and using the product, please read and observe these main warnings:



WARNING: To enhance the enjoyment of your pool and protect the safety of those in and around the pool, **ALWAYS STRICTLY OBSERVE** the following safety and maintenance instructions:

- 1). It is the responsibility of the pool owner to identify and obey all local and state laws pertaining to above ground swimming pool safety PRIOR to set-up or use of the pool. These include, but are not limited to, laws on: decks, fences, barriers, covers, pool ladders, lighting, and required safety equipment. Please consult your local authorities to ensure compliance.
- 2). Do not allow unattended Children in the pool. Always make sure that at least one responsible adult is supervising all Children and those who do not know how to swim AT ALL TIMES. Never swim / bathe in the pool alone.
- 3). NEVER permit diving or jumping into the pool. Never enter the pool from any decks or other raised surfaces. The water level in your pool is extremely shallow and is not suitable for these activities. Failure to heed these in-structions can result in serious injury or even death.
- 4). Do not permit Children or adults to engage in any "rough-housing" or other aggressive sports or activity in or around the pool. Failure to observe this guideline can result in serious injury for those in and around the pool area.
- 5). Always maintain the proper pool safety equipment in an easily accessible area adjacent to your pool. Clearly post emergency phone numbers as well as safety advisories and rules (such as "No Jumping or Diving" and "Do Not Swim Alone"). Do not allow bathers in the pool unless the area is sufficiently bright or lighted.
- 6) All filtrations are in agreement with the installation standard NF C 15-100 that all electric appliances located within 3.50 m for the pond and with a free access should have a low voltage supply of 12V. All electrical appliance supplied with 220V must be located at least at 3.50 meter from the edge of the pond. Consult the manufacturer for any change of one or several elements to the filtration system. (For France Market)



7). The safety of your children is up to you! The risk is greatest when children are younger than 5 years old. The accidents do not only happen to others! Be ready to face it!

8). Watch and act:

- Supervision of children must be close and constant;
- Designate one responsible for security;
- Strengthen monitoring when there are multiple users in the pool;
- Teach your children to swim as soon as possible;
- Wet neck, arms and legs before entering the water;
- Learn lifesaving, especially those specific to children;
- Forbid diving or jumping in front of young children;
- Forbid running and violent games around the pool;
- Do not allow access to the pool without a safety vest for a child not knowing how to swim and not accompanied in the water;
- Do not leave toys near unmonitored pool;
- Keep water clear and healthy;
- Store water treatment products out of reach of children;

9). Plan:

- Phone near the pool, do not leave your children unattended when you call;
- Buy and pole near the pool;

10). Moreover, some devices may contribute to security:

- Barrier whose portal will be constantly kept closed (e.g. a hedge cannot be regarded as a protective barrier);
- Manual or automatic cover properly positioned and secured protection;
- Electronic sensor to detect or drop in service and operational, but not a substitute for close supervision;

11). Accident:

- Remove the child from the water as quickly as possible;
- Call for help immediately and follow the advice that given to you;
- Replace wet clothes with warm blankets;

12) Store and view pool number of first aid:

- Fire: (18 for France); (112 Europe)
- EMS: (15 for France); (112 Europe)
- Poison Center; (112 Europe)

13). Prohibit access to the pool for the deterioration or the system(s) filter;

14). Do not submerge;

15). Do not walk on the edge;

16). Warning: Never put the empty swimming pool in the open air.

17). Keep free space around the pool: see table 1

PREVENT DROWNING



WARNING

Closely watch children who are *in or near* this pool. Children under 5 are at highest risk for drowning.

Stay away from drains & suction fittings



WARNING

Your hair, body & jewelry can get sucked into drain. You could be held under water & drown!

NO DIVING!



WARNING

You can break your neck and be paralyzed!

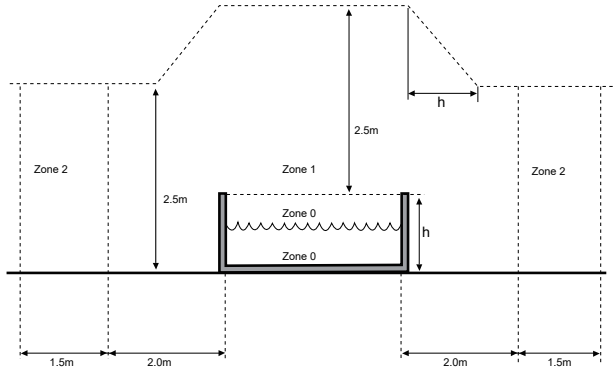


table 1

4.0 Site selection

WARNING: Pools installed on inadequately level surfaces are subject to leaking, forming irregularities, or collapse, which can result in property damage or serious injury for those in or around the pool area!

WARNING: Do not use sand during setup process. If it appears that there is a need for use of a "leveling agent", then your set-up site is likely unsuitable. FAILURE TO OBEY THIS WARNING MAY RESULT IN SERIOUS PERSONAL INJURY.

CAUTION: Please choose your set-up area carefully, as lawn and other desirable vegetation underneath the ground cloth (If applicable) will die. Furthermore, try to avoid setting the ground cloth (If applicable) in areas prone to aggressive plant and weed species, as they may grow through the ground cloth (If applicable).

CAUTION: The pool must be accessible to a 110 or 230-volt AC outlet protected by a Ground Fault Circuit Interrupter (GFCI). The pool should be set no closer than 10 ft. to the power source, but no further than the length of the filter pump cord. Under no circumstances should an extension cord be used to extend the range of the connection.

It is absolutely essential to select a suitable site for your pool BEFORE attempting to fill it with any water. Please select a set-up site which strictly conforms to the following guidelines:

Guide1. Ensure that the area is firm, flat (no bumps or mounds of earth) and extremely level, with a grade not exceeding 3° of slope at any point in the set-up area.

Guide2. Make sure that the area you have selected to set-up the pool is completely free of sticks, stones, sharp objects or other foreign debris.

Guide3. Select an area that is not directly underneath overhead power lines or trees. Additionally, make sure that the pool set-up area does not contain underground utility pipes, lines, or cables or any kind.

Guide4. If a ground cloth is provided with your pool kit, its use is highly recommended. The ground cloth will help protect the pool liner from damage due to weed growth, sharp objects, and debris.

Guide5. If at all possible, choose an open location on your property that is exposed to direct sunlight. This will help to warm your pool.

Flat, Level Ground-CORRECT

Bumpy, Sloping Ground-INCORRECT



5.0 Set up the pool

IMPORTANT: Do not start assembly if any pieces are missing. For replacement pieces call the Consumer Service telephone number in your area.

The number of persons required for installation: 2 adult at least.

Total installation time except the time for site preparation and water filling:
45 up to 60 minutes.

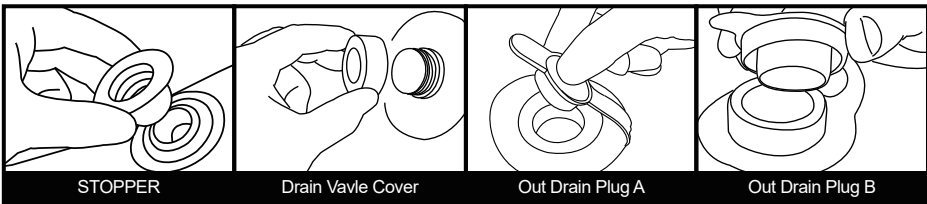
Step1. Account for all parts.

Remove all the parts from the carton(s) and place them on the ground in the location where they are to be assembled

Check each part according to "PART REFERENCE" 1.0 / 1.1. Make sure all the pieces to be assembled are accounted for.

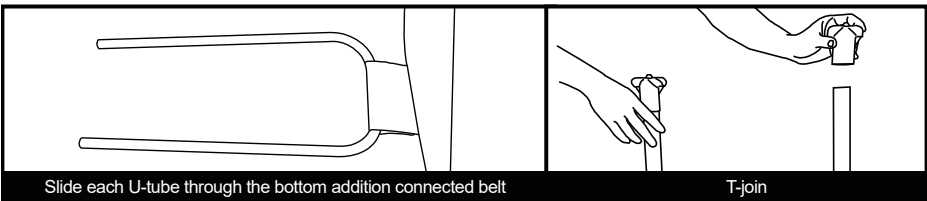
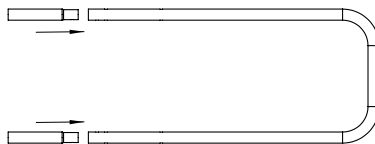
Step2. Install drain valves cover and stopper.

Make sure that outer drain plug is inserted into the outer drain cap and drain valve cover is screwed on tightly. Plug the connection holes with the stoppers. (The out drain plug changes according to different size of pool.)



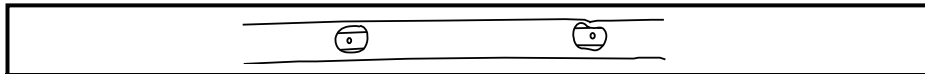
Step3. Install the U-tubes

Install the leg extensions:
only on 1.22m models

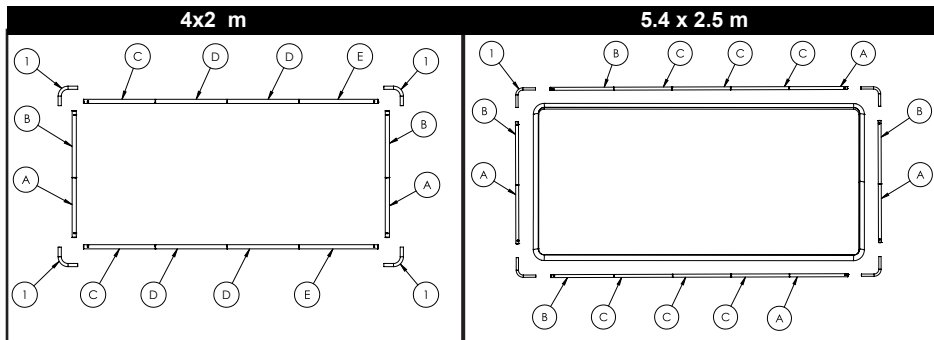


Step4. Install the horizontal beams

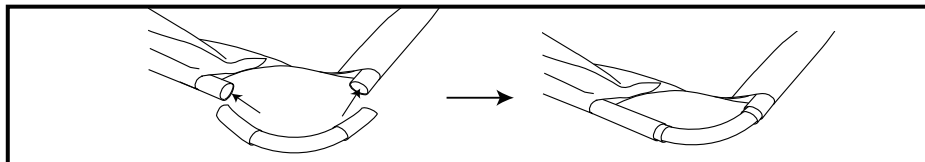
For the both sides sleeve of the pool:



Slide combined beams into sleeve, the hole on the beams should face outwards.

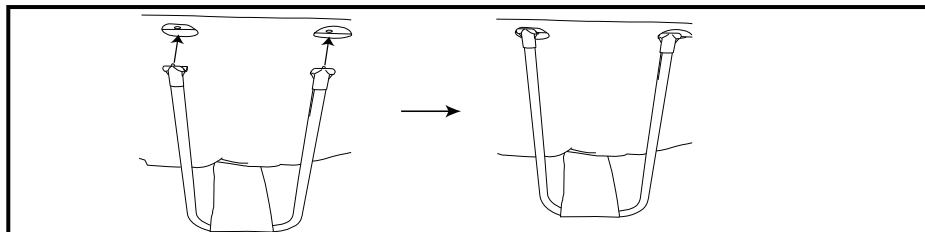


Step5. Install horizontal beam and L-tube



Use the connection end of the L tube to connect the adjacent horizontal tubes

Step6. Install horizontal beam and U-tubes



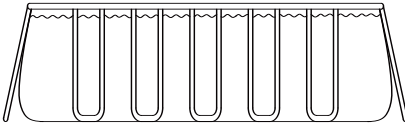
Find the one side holes on the horizontal beam. Place and lock the T-joints into the holes. Ensure they are fully connected

6.0 Fill the pool with water

WARNING: Do not leave pool unattended while filling with water.

WARNING: If more than 5 ~ 10 cm (1~2inch) of water collects on any one side before you start filling in the center.The pool is not level enough,and most be corrected!You shall pull out the drain plug, release the water completely, disassemble the pool completely,locate the pool on a plane surface, repeat set up instructiion.

WARNING: DO NOT OVERFILL as this could cause the pool to collapse.In times of heavy rainfall you may need to empty some of the water to ensure the level is correct.



1.Make sure the drain fitting is plugged securely and the cap is in place.Start filling the pool with water. After about 5cm (1-inch) of water is on the bottom,stop flling and smooth wrinkles out of the bottom of the pool.Pull the outer wall out from the top edge,all around te bottom of the pool,so that it fills evenly.

2.Continue filling the pool until water level.

7.0 Disassembly and storage

WARNING: Do not let your children stand at downfold and face the water outlet during the drainage. The water current may sweep your children.

WARNING: Pool should be stored at places where it is cool and dry, with no sharp object surrounded, or no heavy objects lying above, which may cause damage to the pool.

Step1. If you havea filter pump,make sure that the electricy source to the filter pump has been disconnected.

Step2. Check to ensure that the out drain plug is firmly inserted on the inside of the pool.

Step3. Attach your garden hose to the drainage valve connector, and placing the other end of the hose in an area where the water can drain safely,such as a storm drain or street gutter.Remember that because water always finds its own level,the end of the hose must be lower in elevation than the pool to ensure complete drainage.

Step4. If you have a filter pump,insert the stopper into the inlet and outlet fixtures,on inside of pool,and then disconnect the filter pump hoses.

Step5. Attach the drainage valve connector to the drain outlet by turning connector in a clockwise direction.

Step6. Open the out drain plug on the inside of the pool and the water will begin to drain immediately.

Step7. Disconnect the hose and drainage valve connector when finished.

Step8. Replace the out drain plug on the inside of the pool.

Step9. Be sure that the pool liner is completely dry before folding the pool for long-term storage. Leaving the pool exposed to sunlight for a few hours will clean and speed the drying process and make it easier to fold the pool for storage. (Never attempt to fold or stow a pool that is not completely dry as this could lead to a proliferation of mold or mildew build-up during the time the pool is in storage.)

Step10. Remember, proper off-season storage is critical to protect your investment in your pool.(especcially in winter) Once drained and dry, your pool should be carefully folded and wrapped in a ground cloth (if available) or other similar protective tarp-like material. The pool and all applicable accessories such as the pump, cover, ground cloth, ladder, hoses, clamps, and hardware should be kept together and stored indoors, in a reasonably warm, dry and weatherproof location.

7.1 Folding instruction

Before folding, it's better to dry all parts and pool completely by lying them in the sun for one hour or so.(PIC.1). And then, spread some talcum powder to prevent the vinyl from sticking together.

Step1. Please fold the protrusion sides inside to gain rectangle shape. (PIC.2).

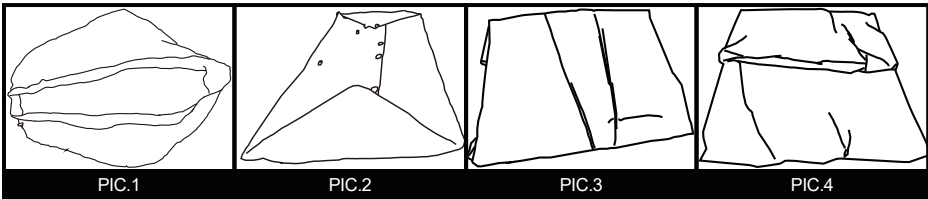
Step2. Fold each half of the rectangle to gain a smaller rectangle shape. (PIC.3).

Step3. Fold each ends backwards. (PIC.4).

Step4. Fold the rest ends together to create an ultimate rectangle one. (PIC.5).

TIPS1. Please remove air inside to make the folded pool thin and flat during each folding.

TIPS2. The original packing can be used for storage.

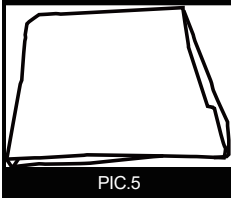


PIC.1

PIC.2

PIC.3

PIC.4



PIC.5



8.0 In-season pool maintenance and care

WARNING: If applicable, the filter pump included with your pool is designed to remove dirt and other small particles from your pool water. However, to maintain pool water that is perfectly clear, algae free, and safe from harmful bacteria, it is VERY IMPORTANT TO ENGAGE IN A CONSISTENT REGIMEN OF CHEMICAL TREATMENT. Contact your local pool supply retailer for guidance on the safe and effective use of chlorine, shock, algaecide and other such chemicals.

WARNING: To avoid skin and eye irritation or even injury to bathers, never add chemicals to the pool while it is occupied. Never add any chemicals or substances to your pool if you cannot verify the exact quantity or type to add to the water. Consult a pool supply retailer for specific instructions and guidelines concerning the use of chemicals in your pool.

WARNING: It is highly recommended that pool owners frequently test their pool water to ensure that the pH and chlorine concentration in the water is optimal for safe and enjoyable bathing throughout the season. Please consult your pool supply retailer to find a suitable testing kit and instructions on its use.

WARNING: Non-respect of the maintenance rules may result in serious hazards for health and especially for the children.

This product is designed to be storable, seasonal pools. If you live in a temperate area in which the pool will not be in use year-round, it is STRONGLY RECOMMENDED that you drain your pool, clean and dry it thoroughly, and store it in a protected area for the off-season. This will help extend the life of your pool and prevent a safety hazard from developing while the pool is not in use. During the season of use of the pool kit, the filtration system (if applicable) must be put into service each day, long enough to ensure at least a complete renewal of the volume of water.

In order to keep your pool water clean and hygienic all season long please closely adheres to the following guidelines:

1. The proper and consistent use of basic pool chemicals are required to maintain the proper pH balance in your pool water. Furthermore, the application of chemicals will help prevent the growth of harmful bacteria or algae in your pool, and assist your filter-pump in keeping your water crystal clear. Chemical that your pool may require include but are not limited to:

1) Tabular, Granular, or Liquid Chlorine: Disinfects pool water and inhibits algae growth.

2) PH Adjusting Chemicals: These are used to correct PH level and make water more or less acidic.

3) Algaecides: These chemicals are formulated to remove algae.

4) "Shock" (Super chlorinator): Eliminates certain organic and other combination compounds that can affect water clarity.

In order to obtain specific details on the use of chemicals, please consult a local pool supply retailer and provide them with the volume of water in your specific pool, and if desired, a sample of your pool water. This will enable them to properly instruct you on: 1) which chemicals to purchase, 2) what quantities of chemicals to purchase, and 3) how to use specific chemicals safely and effectively.



2. Never let chlorine come into direct contact with the pool liner until it has completely dissolved. This means that granular or tabulated chlorine is first dissolved in a bucket of water before applying to pool water, and likewise, liquid chlorine is slowly and evenly poured into pool water from various locations around perimeter of pool.

DANGER: NEVER add water to chemicals. INSTEAD, always add chemicals to water. Also, never mix separate chemicals together, rather, add chemicals to the pool separately and allow them to circulate throughout the pool before adding additional types of chemicals.

3. We recommend that you purchase a test kit, and frequently test your pool water to make sure that your PH balance and chlorine levels are optimal. Your local pool supply retailer can provide information on purchasing and using a test kit that is most suitable for your needs. NOTE: Excessive chlorine levels or low (acidic) pH levels can damage your pool liner, so please take corrective action as soon as possible if testing reveals either condition.

The tasks of removing larger debris from your pool and keeping the inside of the pool liner clean are simplified by using a take corrective action as soon as possible if testing reveals either condition. included as a bonus feature in larger pool systems, and can also be purchased separately as an accessory. Please contact your local after sale service center if you want to get advice on any repair during the life of the pool kit.

4. If applicable, check your filter-pump cartridge every two weeks (or more frequently during periods of heavy usage) to verify whether it needs to be cleaned or replaced. If your cartridge is no longer white in color, attempt to spray it clean with a strong blast of water from your garden hose. If your cartridge cannot be cleaned in this manner, the cartridge must be replaced. Failure to frequently clean and/or replace your cartridges will affect the effectiveness of your filter pump and could shorten its useful life.

5. If your pool system included a cover, try to keep your pool covered at all times when not in use. This will help keep the wind and other elements from depositing dirt and debris in your pool, and will also prevent excess rainwater from overflowing your pool.

6. Remind your family and friends to always hose or rinse off any dirt or tanning oil from their hands, feet, and body prior to entering the pool.

7. It's necessary to monitor the bolts and hardware of the pool (eg. rust stain) when possible.

8. Once your pool has been filled with water for th season, take note if your pool becomes overfilled due to rainwater or accidental overflow. If this should occur, it is important to drain or bale out the excess water as soon as possible. If it is an inflatable ring pool, the water level should never be higher than the bottom edge of the inflatable ring.



9.0 Trouble shooting

PROBLEM	DESCRIPTION	CAUSE	REMEDY
COLORED WATER	<ul style="list-style-type: none"> Water turns blue, brown, or black when first treated with chlorine. 	<ul style="list-style-type: none"> The chlorine is oxidizing minerals in your water. This commonly occurs with water from different sources. 	<ul style="list-style-type: none"> Adjust pH to recommended level. Run filter until water is clear. Regularly clean cartridge.
PARTICALS SUSPENDED IN WATER	<ul style="list-style-type: none"> Water looks "milky" or cloudy. 	<ul style="list-style-type: none"> "Hard Water" caused by an elevated pH. Chlorination is inadequate. Foreign debris in water. Bathers are not cleaning their feet prior to entering pool. 	<ul style="list-style-type: none"> Adjust pH. Check with a swimming pool supply retailer for correct water treatment. Ensure proper chlorine level. Clean or replace your filter. Spray off dirt with a high-pressure hose before entry.
PERSISTENT LOW WATER LEVEL	<ul style="list-style-type: none"> Pool appears to be losing water on a daily basis. 	<ul style="list-style-type: none"> Tear or hole in pool liner. Tear or hole in a filter pump hose. Hose clamps are too loose. Evaporation from high summer temperatures. 	<ul style="list-style-type: none"> Locate damage and repair with the included patch kit. Repair or replace hoses. Tighten all hose clamps. Keep pool covered when not in use.
ALGAE	<ul style="list-style-type: none"> Water has greenish tint. Green, brown or black spots appear on pool liner. Pool bottom is slippery and/or an unpleasant odor is present. 	<ul style="list-style-type: none"> Algae is present. 	<ul style="list-style-type: none"> Apply "shock" treatment (super-chlorinator). Check pH and adjust to an appropriate level per your local pool supply retailer. Vacuum or lightly scrub pool liner. Test water often to maintain proper chlorine levels.
POOL WATER IS COOL	<ul style="list-style-type: none"> Water is not warming to a comfortable swimming temperature. 	<ul style="list-style-type: none"> Pool was set up in an excessively shady or tree lined area. Heat is escaping from pool water. 	<ul style="list-style-type: none"> Relocate pool to a more open location where it can get maximum exposure to sunlight during peak daylight hours. Keep your pool covered whenever it is not in use.

10.0 Limited warranty

We warrant all components contained in this Pool Set (excluding the filter pump unit) against defects in materials and workmanship under normal use and service, for a period of 90days from the date of purchase for the original owner only.

If any of the components have been consumer-replaced, damaged, or misused, the corresponding warranty on those components is invalidated. In this situation, you will be advised of the cost of replacement parts and processing instructions.

If a verifiable manufacturing defect is found during the relevant time period, we agree to replace at its option any product under warranty provided proper proof of purchase is presented.

This limited warranty is not valid if the product is used for commercial purposes, or if the damage is caused by an accident, consumer misuse, neglect or abuse, vandalism, improper use of chemicals, exposure to extreme weather conditions or negligence during product set up or disassembly.

We cannot be held responsible for the cost of installation, labor, or transportation expenses incurred due to the replacement of defective parts. This limited warranty, furthermore, does not cover any unauthorized alterations to the product.

2.0 Einführung

Glückwunsch zur Wahl des EXIT Toys Frame Pool!

Amüsier dich, sei aktiv und spiele im Freien!

Für diesen Spaß entwickeln wir innovative und hochwertige Spielzeuge für coole Kids.

Wir tun alles in unserer Macht stehende, um sichere Produkte für Kinder zu entwickeln. Da unsere Produkte als Spielzeuge klassifiziert werden, erfüllen wir die strengsten Sicherheitsvorschriften. Bevor unsere Produkte auf dem Markt kommen, veranlassen wir die Durchführung von unabhängigen Prüfungen zur Zertifizierung. Außerdem kontrollieren wir selbst ständig unsere Produktionsabläufe und lassen diese als weitere Kontrolle regelmäßig durch unabhängige Stellen überprüfen. Nur Produkte, die den höchsten EXIT Toys Standards gerecht werden, werden mit dem EXIT Toys label gekennzeichnet.

Wir danken Ihnen für Ihr Vertrauen in dieses Produkt. Und wir sind sicher, dass Ihre Kinder genau viel Spaß haben werden wie wir ihn während der Entwicklung hatten. Da wir aufgeschlossen sind, schätzen wir wirklich all Ihre Kommentare und Ideen, die uns bei der Verbesserung unserer Produkte bzw. bei der Entwicklung neuer Spielzeuge helfen. Sie sind herzlich eingeladen, uns Ihre Ideen unter info@exittoys.com zu senden.

Besuchen Sie www.exittoys.com und entdecken Sie weitere tolle neue Produkte.

Das EXIT Toys Team

3.0 Sicherheitsanweisungen



Achten Sie darauf, vor Installation und Benutzung des Pools alle Informationen in dieser Bedienungsanleitung sorgfältig zu lesen, zu verstehen und zu befolgen. Diese Warnungen, Anweisungen und Sicherheitsrichtlinien beziehen sich auf einige allgemeine Gefahren in Verbindung mit wasserbasierten Freizeitaktivitäten, sie können jedoch nicht sämtliche Gefahren und Risiken abdecken. Seien Sie immer entsprechend vorsichtig, vertrauen Sie auf Ihren natürlichen Menschenverstand.

Sicherheit von Nichtschwimmern

- 1) Anfänger und Nichtschwimmer sollten kontinuierlich, aktiv und wachsam von einem kompetenten Erwachsenen beaufsichtigt werden (denken Sie daran, dass bei Kindern unter fünf Jahren die größte Gefahr des Ertrinkens besteht);
- 2) Bestimmen Sie einen kompetenten Erwachsenen zur Überwachung des Pools bei jeder Benutzung;
- 3) Anfänger und Nichtschwimmer sollten bei Benutzung des Pools Schwimmhilfen tragen;
- 4) Wenn der Pool nicht benutzt oder nicht beaufsichtigt wird, entfernen Sie alle Spielzeuge aus und rund um den Pool, damit sich Kinder nicht zu nah am Pool aufhalten.

Sicherheitsvorrichtungen

- 1) Sie sollten eine Barriere installieren (und alle Türen und Fenstern sichern, sofern zutreffend), damit niemand unautorisiert in den Pool steigt;
- 2) Barrieren, Poolabdeckungen, Poolalarme oder ähnliche Sicherheitsvorrichtungen sind praktische Hilfen, ersetzen jedoch keine kontinuierliche und kompetente Beaufsichtigung durch einen Erwachsenen.

Sicherheitsausrüstung

- 1) Sie sollten Rettungs-ausrüstung (z. B. Rettungsring) in der Nähe des Pools aufbewahren;
- 2) Bewahren Sie ein funktionierendes Telefon und eine Liste mit Notrufnummern in der Nähe des Pools auf.

Sichere Benutzung des Pools

- 1) Ermutigen Sie alle Nutzer, insbesondere Kinder, schwimmen zu lernen;
- 2) Erlernen Sie grundlegende lebensrettende Sofortmaßnahmen (Herz-Lungen-Wiederbelebung) und frischen Sie dieses Wissen



regelmäßig auf. Dies kann bei einem Notfall Leben retten;

3) Weisen Sie alle Poolbenutzer, einschließlich Kindern, an, was bei einem Notfall zu tun ist;

4) Springen Sie niemals kopfüber in flaches Wasser. Andernfalls drohen ernsthafte oder sogar lebensgefährliche Verletzungen;

5) Verwenden Sie den Pool nicht, wenn Alkohol oder Medikamente Ihre Fähigkeit zur sicheren Benutzung des Pools beeinträchtigen; Achten Sie darauf, vor Installation und Benutzung des Pools alle Informationen in dieser Bedienungsanleitung sorgfältig zu lesen, zu verstehen und zu befolgen. Diese Warnungen, Anweisungen und Sicherheitsrichtlinien beziehen sich auf einige allgemeine Gefahren in Verbindung mit wasserbasierten Freizeitaktivitäten, sie können jedoch nicht sämtliche Gefahren und Risiken abdecken. Seien Sie immer entsprechend vorsichtig, vertrauen Sie auf Ihren natürlichen Menschenverstand. Bewahren Sie diese Hinweise auf, damit Sie später darin nachlesen können.

6) Wenn Poolabdeckungen genutzt werden, entfernen Sie sie vor dem Einsteigen in den Pool von der Wasseroberfläche;

7) Schützen Sie Poolbenutzer von wasserrelevanten Krankheiten, indem Sie das Poolwasser behandeln und auf gute Hygiene achten. Beachten Sie die Richtlinien zur Wasserbehandlung in der Bedienungsanleitung;

8) Halten Sie Chemikalien (bspw. Produkte zur Wasserbehandlung, Reinigung oder Desinfektion) von Kindern fern.

9) Nutzen Sie die Schilder wie unten gezeigt;

10) Abnehmbare Leitern sollten auf einer horizontalen Fläche angebracht werden.

11) Warnung: Ein abgelassener Pool im Freien kann unvorhersagbare Gefahren verursachen.

12). Halten Sie Freiraum um den Pool herum: siehe Tabelle 1

WARNUNG: Installation und Montage dürfen nur von Erwachsenen durchgeführt werden.

WARNUNG: Lesen und befolgen Sie zur Gewährleistung einer sicheren Verwendung des Poolsets die Anweisungen zur Nutzung und Wartung. Bei Nichtbeachtung der Anweisungen zur Nutzung und Wartung können ernsthafte gesundheitliche Risiken – insbesondere für Kinder – entstehen.

WARNUNG: Nur für den privaten Einsatz im Freien vorgesehen.

WARNUNG: Gefahr des Ertrinkens. Kinder könnten in mobile Pools ertrinken.

WARNUNG: Sie sollten durch Installation einer Barriere unautorisierten Zugang zum Pool verhindern.

WARNUNG: Kinder im Pool und dessen Umfeld sollten kontinuierlich beaufsichtigt werden.

WARNUNG: Nicht tauchen.

ERTRINKEN VERMEIDEN 	WARNUNG Überwachen Sie sorgfältig Kinder, die in oder in der Nähe dieses Pools sind. Kinder unter 5 Jahren sind am meisten gefährdet zu ertrinken.
--------------------------------	--

Abstand zu Abflussrohren und Sauganschlüssen einhalten 	WARNUNG Ihre Haare, Körper und Schmuckstücke können in den Abfluss gesaugt werden. Sie können unter Wasser gehalten werden und ertrinken.
--	---

TAUCHEN VERBOTEN! 	WARNUNG Sie können sich den Hals brechen und gelähmt werden.
------------------------------	--

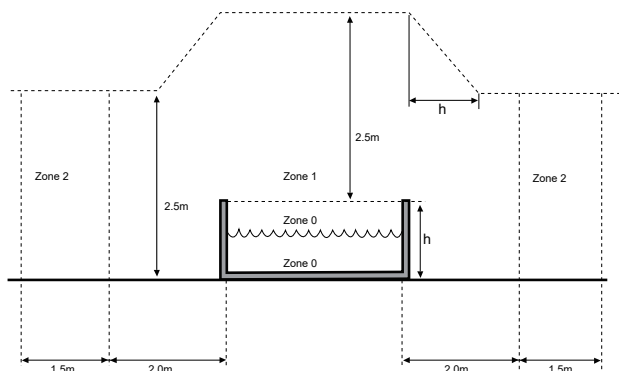


Tabelle 1

4.0 Aufstellungsort

WARNUNG: Pools, die auf unebenen Oberflächen aufgestellt werden, neigen zu Undichtigkeiten, Verformungen oder Zusammensturz, gefolgt von Sachbeschädigung oder schwerer Körpverletzung derjenigen, die sich im oder um den Pool herum aufhalten!

WARNUNG: Verwenden Sie für die Aufstellung keinen Sand. Sollte die Verwendung eines „Mittels zur Einebnung“ erforderlich werden, dann ist Ihr Aufstellungsort sehr wahrscheinlich ungeeignet. NICHTBEACHTUNG DIESER WARNUNG KANN SCHWERE KÖRPERVERLETZUNGEN ZUR FOLGE HABEN.

ACHTUNG: Wählen Sie Ihren Aufstellungsort sorgfältig aus, denn Rasen und anderer wünschenswerter Pflanzenwuchs wird unterhalb der Bodenplane (sofern vorhanden) absterben. Achten Sie zudem auch darauf, die Bodenplane (sofern vorhanden) nicht auf Bereiche zu legen, in denen häufig kraftvolle Pflanzen- und Unkrautarten sprießen, denn sie könnten sich durch die Bodenplane (sofern vorhanden) bohren.

ACHTUNG: Der Pool muss für einen 110- oder 230-Volt-Netzstromanschluss erreichbar sein, der mit einem Fehlerstromschutzschalters (FI-Schalter) geschützt ist. Der Pool muss in einem Mindestabstand von 3 Metern (10 Fuß) zur Stromquelle

aufgestellt werden, aber nicht weiter als die Länge der Filterpumpenleitung. Unter keinen Umständen darf eine Verlängerungsschnur verwendet werden, um den Anschlussbereich zu verlängern.

Das wichtigste ist die Wahl eines geeigneten Aufstellungsortes für Ihren Pool, BEVOR Sie es mit Wasser befüllen. Wählen Sie einen Aufstellungsort, der den folgenden Richtlinien sehr genau entspricht:

Anleitung 1. Überzeugen Sie sich davon, dass der gewählte Ort fest, flach (keine Höcker oder Erdhügel) und extrem eben ist, wobei eine Neigung von mehr als 3° an keiner Stelle am Aufstellungsort überschritten werden darf.

Anleitung 2. Vergewissern Sie sich, dass der gewählte Aufstellungsort für den Pool komplett frei von Ästen, Steinen, scharfkantigen Gegenständen oder anderen Fremdobjekten ist.

Anleitung 3. Wählen Sie einen Ort, der nicht direkt unterhalb von Stromleitungen oder Bäumen liegt. Achten Sie zudem darauf, dass sich im Untergrund des Aufstellungsortes für den Pool keinerlei Rohrleitungen, Zuleitungen oder Kabel befinden.

Anleitung 4. Sollte Ihrem Poolset eine Bodenplane mitgeliefert worden sein, wird dringendst empfohlen, diese auch zu verwenden. Die Bodenplane hat den Zweck, die Poolverkleidung vor Beschädigungen aufgrund von Unkrautwuchs, scharfkantigen Gegenständen und Kleinteilen zu schützen.

Anleitung 5. Sofern möglich, wählen Sie eine offene Stelle auf Ihrem Grundstück, die direkt von der Sonne bestrahlt wird. Dadurch wird Ihr Pool aufgewärmt.

Flacher, ebener Boden-RICHTIG

Hügeliger, schräger Boden-FALSCH



5.0 Aufstellen des Pools

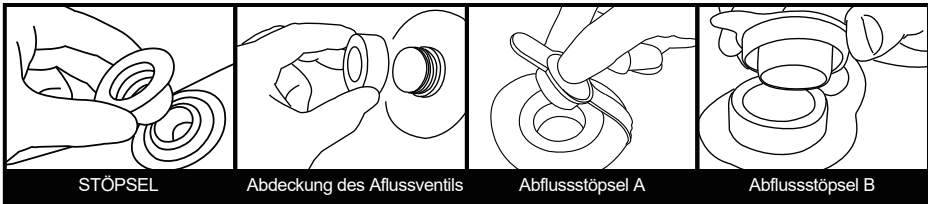
WICHTIG: Beginnen Sie nicht mit der Montage, wenn Teile fehlen sollten. Rufen Sie den Kundendienst Ihrer Region an, wenn Sie Ersatzteile benötigen. Die für die Installation benötigte Anzahl an Personen: Mindestens 2 Erwachsene. Die Installationszeit, abgesehen von der Zeit zur Vorbereitung des Aufstellungsortes und zum Befüllen mit Wasser: 45 ~ 60 Minuten

Schritt 1. Überprüfen Sie das Vorhandensein aller Teile..

Nehmen Sie alle Teile aus ihren Kartons und legen Sie sie dort auf den Boden, wo sie zusammengebaut werden. Prüfen Sie jedes Teil entsprechend der Liste im Abschnitt „DIE EINZELTEILE“ 1.0 / 1.1. Achten Sie darauf, dass alle vorhandenen Teile auch montiert werden.

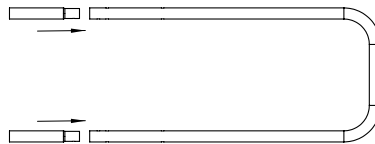
Schritt 2. Installieren Sie die Abdeckung der Abflussventile und die Stöpsel

Vergewissern Sie sich, dass der Abflussstöpsel in die Abflusskappe hineingesteckt ist und die Abdeckung des Abflussventils fest angeschraubt ist. Verschließen Sie die Verbindungslöcher mit den Stöpseln. (Der Abflussstöpsel fällt je nach Poolgröße anders aus.)



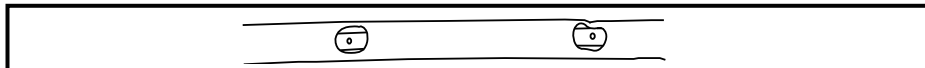
Schritt 3. Installieren Sie die U-Rohre

Instal die Beinverlängerungen:
nur bei 1,22 m Modellen

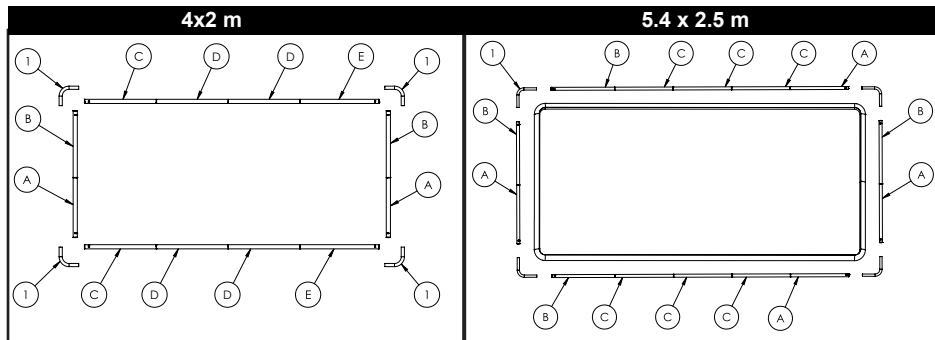


Schritt 4. Installieren Sie den Horizontalholm

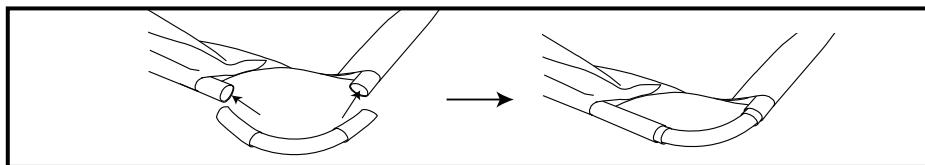
Für die lange und kurze Seitenmanschette des Pools:



Schieben Sie Holmenkombination in die Manschette hinein, wobei das Loch in den Holmen nach außen weisen muss.

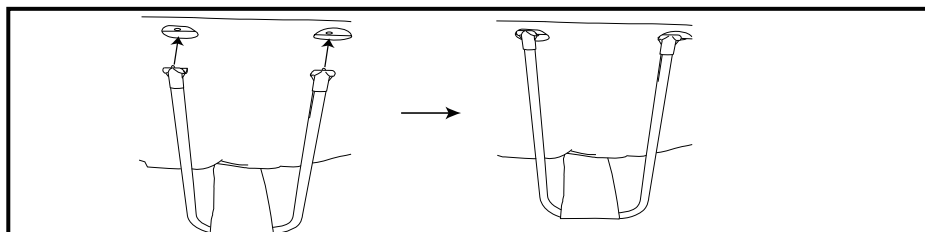


Schritt 5. Installieren Sie den Horizontalholm und das L-Rohr



Verbinden Sie das Anschlussesende des L-Rohrs mit den angrenzenden horizontalen Schläuchen.

Schritt 6. Installieren Sie den Horizontalholm und die U-Rohre



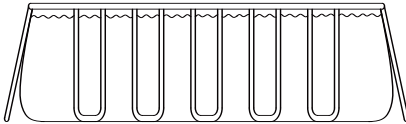
Finden Sie die Löcher an der Seite des Horizontalholms. Stecken Sie die T-Verbindungsstücke in die Löcher und verriegeln Sie sie. Achten Sie darauf, dass sie fest verbunden sind.

6.0 Befüllen des Pools mit Wasser.

WARNUNG: Lassen Sie den Pool nicht unbeaufsichtigt stehen, während Sie ihn mit Wasser befüllen.

WARNUNG: Wenn sich an einer Seite mehr als 2,5 ~ 5 cm Wasser ansammelt, bevor die Mitte aufgefüllt ist, steht der Pool nicht eben und muss richtig aufgestellt werden! Ziehen Sie den Abflusstöpsel heraus, lassen Sie das gesamte Wasser ab, demontieren Sie den gesamten Pool und stellen Sie den Pool durch erneute Errichtung anweisungsgemäß ganz eben auf.

WARNUNG: Füllen Sie NICHT ZUVIEL Wasser in den Pool, denn der Pool könnte zusammenbrechen. Bei schweren Regenfällen sollten Sie etwas Wasser abschöpfen, um sicherzustellen, dass der Pegel richtig ist.



1. Vergewissern Sie sich, dass das Abflusszubehör fest hineingesteckt und die Kappe angebracht ist. Beginnen Sie damit, den Pool mit Wasser zu befüllen. Befindet sich ca. 2,5 cm tiefes Wasser im Pool, stoppen Sie die Befüllung und glätten Sie den Poolboden. Ziehen Sie die Außenwand vom oberen Rand rings um den Poolboden nach außen, damit er gleichmäßig befüllt wird.

2. Fahren Sie mit der Poolbefüllung fort, bis Wasserstand

7.0 Überwinterung und Langzeitlagerung

WARNUNG: Do not let your children stand at downfold and face the water outlet during the drainage. The water current may sweep your children.

WARNUNG: Pool should be stored at places where it is cool and dry, with no sharp object surrounded, or no heavy objects lying above, which may cause damage to the pool.

Schritt 1. Wenn Sie eine Filterpumpe haben, achten Sie darauf, dass die Filterpumpe nicht an eine Stromquelle angeschlossen ist.

Schritt 2. Vergewissern Sie sich, dass der Abflusstöpsel innen im Pool fest hineingesteckt ist.

Schritt 3. Verbinden Sie Ihren Gartenschlauch mit dem Schlauchadapter und legen Sie das andere Schlauchende dort hin, wo das Wasser gefahrlos abfließen kann, z.B. Gully oder Straßenabfluss. Denken Sie daran, dass das Wasser immer seine eigene Nivellierung findet, so dass das Schlauchende niedriger sein muss als der Pool, um einen kompletten Abfluss sicherzustellen.

Schritt 4. Wenn Sie eine Filterpumpe haben, stecken Sie den Stöpsel in die Zufluss- und Abflusshalterungen innen im Pool und trennen Sie dann die Schläuche der Filterpumpe ab.

Schritt 5. Verbinden Sie den Schlauchadapter mit dem Abfluss, indem Sie den Adapter im Uhrzeigersinn aufschrauben.

Schritt 6. Öffnen Sie den Abflusstöpsel innen im Pool, woraufhin das Wasser sofort abfließt.

Schritt 7. Trennen Sie den Schlauch und den Abflussadapter, wenn Sie fertig sind.

Schritt 8. Bringen Sie wieder den Abflusstöpsel innen im Pool an.

Schritt 9. Vergewissern Sie sich, dass die Poolverkleidung komplett trocken ist, bevor Sie den Pool für eine längerfristige Lagerung zusammenfalten. Wenn Sie den Pool ein paar Stunden dem Sonnenlicht aussetzen, beschleunigt sich der Trocknungsvorgang und es fällt leichter, den Pool für die Lagerung zusammenzufalten. (Versuchen Sie nie, einen Pool zu falten oder zu verstauen, der nicht komplett trocken ist, da dies zur Verbreitung von Schimmelpilz oder zur Schimmelbildung während der Lagerzeit des Pools führen könnte.)

Schritt 10. Vergessen Sie nicht, dass eine angemessene Lagerung außerhalb der Saison ein wichtiger Aspekt zum Schutz Ihrer Investition in Ihrem Pool ist. (Besonders im Winter.) Sobald das gesamte Wasser aus dem Pool abgeflossen und er trocken ist, sollten Sie ihn sorgfältig zusammenfalten und in eine wasserabweisende Bodenplane (falls verfügbar) oder eine Schutzplane aus ähnlichem Material inwickeln. Der Pool mitsamt dem gesamten Zubehör wie Pumpe, Abdeckung, Bodenplane, Leiter, Schläuche, Klemmen und Kleinteile sollte zusammen und in einem angemessen warmen, trockenen und wettergeschützten Raum in einem Haus aufbewahrt werden.

7.1 Faltanleitung

Vor dem Zusammenfalten ist es ratsam, alle Teile und den Pool zum Trocknen ca. eine Stunde lang in die Sonne zu legen. (Pic. 1). Bepudern Sie den Pool dann mit etwas Talkum, damit das Vinyl nicht zusammenklebt.

Schritt 1. Falten Sie die vorstehende Seite bitte nach innen, um eine rechteckige Form zu erhalten. (Pic. 2).

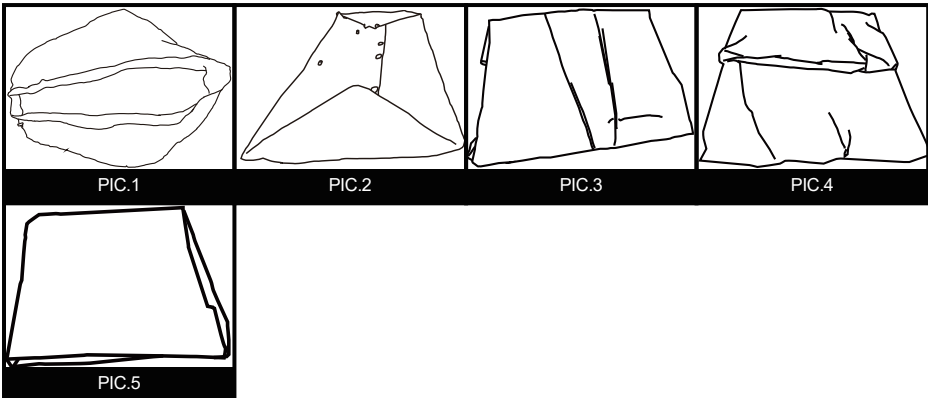
Schritt 2. Falten Sie jede Hälfte des Rechtecks, um ein kleineres Rechteck zu erhalten. (Pic. 3).

Schritt 3. Falten Sie alle Enden nach hinten. (Pic. 4).

Schritt 4. Falten Sie die restlichen Enden zusammen, um ein einziges Rechteck zu erhalten. (Pic. 5).

TIPP 1. Entfernen Sie bitte die Luft im Innern, damit der zusammengefaltete Pool bei jedem Falten dünn und flach wird.

TIPP 2. Die Originalverpackung kann für die Lagerung verwendet werden.



8.0 Pflege des Pools während der Saison

WARNUNG: Die zu Ihrem Pool gehörige Filterpumpe, sofern vorhanden, hat den Zweck, Schmutz und andere kleine Teilchen aus dem Badewasser zu entfernen. Um jedoch ein Badewasser zu bekommen, das stets sauber, frei von Algen und schädlichen Bakterien ist, ist es SEHR WICHTIG, EINEN KONSEQUENTEN PLAN FÜR DIE CHEMISCHE WASSERAUFBEREITUNG UMZUSETZEN. Erkundigen Sie sich bei Ihrem lokalen Händler für Poolartikel nach einem sicheren und wirksamen Einsatz von Chlor, Schockbehandlungen, algentötenden Mitteln und anderen derartigen Chemikalien.

WARNUNG: Um Haut- und Augenirritationen oder sogar Verletzungen bei den Badenden zu vermeiden, dürfen Sie niemals Chemikalien in den Pool geben, wenn sich gerade Personen darin befinden. Geben Sie niemals Chemikalien oder Substanzen in Ihren Pool, wenn Sie nicht nachvollziehen können, welche genaue Mengen oder welcher Typ dem Wasser hinzugefügt werden muss. Informieren Sie bei einem Händler für Pools nach Anweisungen und Richtlinien für die Verwendung diesbezüglicher Chemikalien in Ihrem Pool.

WARNUNG: Es wird Pool-Besitzern dringendst empfohlen, das Wasser im Pool oft zu testen, um sicherzustellen, dass der pH-Wert und die Chlorkonzentration im Wasser optimal ist für ein sicheren und angenehmes Baden über die gesamte Saison hinweg. Ihr Händler für Poolbedarf berät Sie gerne, um ein geeignetes Testset und Anweisungen für seinen Gebrauch zu finden.

WARNUNG: Eine Nichtbeachtung dieser Wartungsregeln kann die Gesundheit der Badenden, insbesondere der von Kindern, stark gefährden.

Dieses Produkt ist ein lagerfähiger, saisonal nutzbarer Pool. Leben Sie in einer Klimazone, in der der Pool nicht ganzjährig genutzt wird, wird DRINGENDST EMPFOHLEN, das Wasser aus dem Pool abzulassen, ihn gründlich zu reinigen und zu trocknen und ihn außerhalb der Saison an einem geschützten Ort aufzubewahren. Auf diese Weise verlängert sich die Lebenszeit Ihres Pools und es wird ein Sicherheitsrisiko eingedämmt, während der Pool nicht genutzt wird. In der Zeit, in der der Pool genutzt wird, muss das Filtersystem (sofern vorhanden) jeden Tag so lange in Betrieb gesetzt werden, dass die gesamte Wassermenge mindestens einmal ganz erneuert wird.

Damit das Wasser in Ihrem Pool die gesamte Saison über sauber und hygienisch bleibt, müssen Sie sich streng an die folgenden Richtlinien halten:

1. Ein richtiger und durchgehender Gebrauch grundlegender Chemikalien für Pools ist erforderlich, um einen angemessenen pH-Wert im Poolwasser aufrecht zu erhalten. Zudem verhindert die Anwendung von Chemikalien das Wachstum schädlicher Bakterien oder Algen in Ihrem Pool und unterstützt die Filterpumpe bei der Reinhaltung Ihres kristallklaren Wassers. Chemikalien, die in Ihrem Pool eingesetzt werden sollten, sind unter anderem:

- 1) Chlor in Form von Tabletten, Granulat oder Flüssigkeit: Desinfiziert das Poolwasser und verhindert Algenwuchs.
- 2) Chemikalien, die den pH-Wert regulieren: Diese dienen zur Korrektur den pH-Wertes und machen das Wasser mehr oder weniger sauer.
- 3) Algenvernichtungsmittel: Diese Chemikalien werden zur Vernichtung von Algen eingesetzt.
- 4) „Schock“ (Super-Chlorierung): Eliminiert bestimmte organische

und anderweitige kombinierte Verbindungen, welche die Klarheit des Wassers beeinträchtigen. Informieren Sie bei einem lokalen Händler für Poolbedarf nach bestimmten Details für den Einsatz von Chemikalien, teilen Sie ihm mit, wieviel Wasser Ihr Pool aufnimmt, und, falls gewünscht, geben Sie ihm eine Probe Ihrem Poolwasser. Er wird dann in der Lage sein, Sie bezüglich folgender Punkte richtig zu beraten: 1) welche Chemikalien gekauft werden sollten, 2) welche Mengen an Chemikalien gekauft werden sollten und 3) wie die einzelnen Chemikalien gefahrlos und effektiv verwendet werden.

2. Achten Sie darauf, dass Chlor niemals direkt mit der Poolverkleidung in Kontakt kommt, sondern erst in einem komplett aufgelösten Zustand. Dies bedeutet, dass Sie Chlor in Granulat- oder Tablettenform erst in einem Eimer mit Wasser auflösen müssen, bevor Sie es in das Poolwasser geben; und flüssiges Chlor muss langsam und gleichmäßig von verschiedenen Stellen um den Pool herum hineingegossen werden. **GEFAHR:** Gießen Sie **NIEMALS** Wasser auf Chemikalien. **SONDERN** fügen Sie Chemikalien dem Wasser hinzu. Vermischen Sie auch niemals getrennte Chemikalien, sondern geben Sie diese getrennt in den Pool, wobei die jeweilige Chemikalie sich erst im gesamten Pool verteilt haben muss, bevor Sie eine andere Chemikalie hinzufügen.

3. Wir empfehlen den Erwerb eines Testsets für eine häufige Kontrolle des Poolwassers, um sicherzustellen, dass der pH-Wert und die Chlorkonzentration optimal sind. Ihr lokaler Händler für Poolbedarf informiert Sie gerne über den Kauf und den Gebrauch eines Testsets, das für Ihren Bedarf am geeignetsten ist. **HINWEIS:** Eine übermäßige Chlorkonzentration und auch niedrige (saure) pH-Werte können die Poolverkleidung beschädigen und erfordern sofortige Maßnahmen zur Behebung, wenn das Testergebnis eines von beiden anzeigt. Das Entfernen von größeren Schmutzteilen aus Ihrem Pool und das Reinigen der Poolverkleidung sind Aufgaben, die ein Pflegeset für Pools, bestehend aus einem Blattabschöpfer und eine mit dem Gartenschlauch betriebene Saugvorrichtung, vereinfacht. Pflegesets enthalten Sie als Bonus beim Erwerb von größeren Poolsystemen, Sie können sie auch separat als Zubehör erwerben. Wenden Sie sich bitte an Ihr Kundendienstcenter vor Ort, wenn Sie Ratschläge für Reparaturarbeiten während der Lebenszeit des Poolsets benötigen.

4. Prüfen Sie die Filterpumpenpatrone alle zwei Wochen (oder häufiger, wenn der Pool häufig benutzt wird), um sich vergewissern, ob sie gereinigt oder ersetzt werden muss. Sieht die Patrone nicht mehr weiß aus, versuchen Sie, die Patrone mit einem starken Wasserstrahl aus Ihrem Gartenschlauch zu reinigen. Lässt sich die Patrone auf diese Weise nicht mehr reinigen, muss sie ersetzt werden. Wenn Sie Ihre Patronen nicht häufig reinigen und/oder ersetzen, beeinträchtigt dies die Wirksamkeit Ihrer Filterpumpe und kann auch ihre Nutzungsdauer verkürzen.

5. Gehört zu Ihrem Poolsystem auch eine Abdeckung, decken Sie den Pool immer ab, wenn er unbenutzt ist. Auf diese Weise können Wind und andere Elemente keinen Schmutz und keine Kleinteile in Ihren Pool hineinbringen und überschüssiges Regenwasser kann Ihren Pool auch nicht zum Überlaufen bringen.

6. Erinnern Sie Ihre Familienangehörigen und Freunde daran, dass sie sich vor Betreten des Pools immer erst den Schmutz oder Hautöle von ihren Händen, Füßen und dem Körper mit einem Schlauch abspritzen oder unter fließendem Wasser abspülen.

7. Die Bolzen und Kleinteile des Pools müssen bei Bedarf untersucht werden (z. B. auf Rostflecke).

8. Sobald Ihr Pool für die Saison mit Wasser aufgefüllt ist, achten Sie darauf, ob er sich aufgrund von Regen oder per Zufall übermäßig auffüllt. In diesem Fall ist es wichtig, das überschüssige Wasser sobald wie möglich abzulassen oder herauszuschöpfen. Wenn es sich um einen aufblasbaren Ringpool handelt, sollte der Wasserpegel niemals höher sein als der Unterrand des aufblasbaren Rings.

9.0 Fehlerbehebung

PROBLEM	BESCHREIBUNG	URSACHE	BEHEBUNG
GEFÄRBTES WASSER	<ul style="list-style-type: none"> Wasser verfärbt sich bei erstmaliger Chlorierung blau, braun oder schwarz. 	<ul style="list-style-type: none"> Das Chlor oxidiert mit den Mineralien in Ihrem Wasser. Dies tritt häufig bei Wasser aus unterschiedlichen Quellen auf. 	<ul style="list-style-type: none"> Passen Sie den pH-Pegel dem empfohlenen Wert an. Lassen Sie den Filter laufen, bis das Wasser klar ist. Patrone regelmäßig reinigen.
PARTIKEL SCHWEBEN IM WASSER	<ul style="list-style-type: none"> Wasser sieht „milchig“ oder trübe aus. 	<ul style="list-style-type: none"> „Hartes Wasser“ aufgrund eines erhöhten pH-Wertes. Unzureichende Chlorierung. Fremdkörper im Wasser. Die Badenden haben vor Betreten des Pools nicht ihre Füße gereinigt. 	<ul style="list-style-type: none"> Passen Sie den pH-Wert an. Erkundigen Sie sich bei einem Händler für Poolbedarf nach der richtigen Wasseraufbereitung. Achten Sie auf einen richtigen Chlorwert. Reinigen oder ersetzen Sie Ihren Filter. Spritzen Sie Schmutz vor dem Betreten mit einem Hochdruckschlauch ab.
DURCHGÄNGIG NIEDRIGER WASSERSTAND	<ul style="list-style-type: none"> Der Pool scheint täglich Wasser zu verlieren. 	<ul style="list-style-type: none"> Riss oder Loch in der Poolverkleidung. Riss oder Loch in einem Filterpumpenschlauch. Schlauchklemmen sind zu locker. Verdunstung aufgrund hoher, sommerlicher Temperaturen. 	<ul style="list-style-type: none"> Finden Sie die beschädigte Stelle und reparieren Sie sie mit dem beigefügten Flicker. Reparieren oder ersetzen Sie die Schläuche. Ziehen Sie alle Schlauchklemmen fest an. Decken Sie den Pool ab, wenn er unbenutzt ist.
ALGEN	<ul style="list-style-type: none"> Wasser hat eine grünliche Färbung. Grüne, braune oder schwarze Flecken erscheinen an der Poolverkleidung. Boden des Pools ist rutschig und/oder ein unangenehmer Geruch ist vorhanden. 	<ul style="list-style-type: none"> Algenbildung. 	<ul style="list-style-type: none"> Führen Sie eine „Schockbehandlung“ durch (Super-Chlorierung). Prüfen Sie den pH-Wert und passen Sie ihn so an, wie es Ihnen ein lokaler Händler für Poolbedarf mitgeteilt hat. Saugen Sie die Poolverkleidung ab oder schrubben Sie sie leicht sauber. Prüfen Sie das Wasser oft, um angemessene Chlorwerte beizubehalten.
POOLWASSER IST KÜHL	<ul style="list-style-type: none"> Wasser erwärmt sich nicht auf eine angenehme Badetemperatur. 	<ul style="list-style-type: none"> Der Pool wurde an einer sehr schattigen Stelle oder in einem von Bäumen umgebenen Bereich aufgestellt. Hitze entweicht aus dem Poolwasser. 	<ul style="list-style-type: none"> Stellen Sie den Pool an einer offeneren Stelle neu auf, wo er während der Haupttageszeit eine maximale Sonnenbestrahlung erhält. Decken Sie Ihren Pool stets ab, wenn

10.0 Limited warranty

Wir sichern einzig dem Originaligentümer eine Garantie gegen Material- und Ausführungsfehlern für einen Zeitraum von 90 Tagen ab dem Kaufdatum bei normaler Verwendung und Wartung auf sämtliche Komponenten zu, die in diesem Set Pool enthalten sind (mit Ausnahme der Filterpumpe).

Falls Einzelteile vom Besitzer ausgetauscht, beschädigt oder zweckentfremdet wurden, erlischt die entsprechende Garantie für diese Einzelteile. In diesem Fall werden Ihnen die Kosten für die Ersatzteile und die weiteren Vorgehensweisen mitgeteilt.

Bei nachweislichen Herstellungsmängeln reparieren wir sämtliche Produkte innerhalb der Garantiezeit oder tauschen sie

(nach unserem Ermessen) aus, sofern ein dazugehöriger Kaufbeleg vorgelegt wird.

Diese eingeschränkte Garantie gilt nicht, wenn das Produkt kommerziell eingesetzt wurde oder die Schäden aufgrund von Unfällen, höherer Gewalt, Missbrauch, Fahrlässigkeit, Vandalismus, falschem Einsatz von Chemikalien, extremer Witterung oder Fahrlässigkeit bei der Montage oder Demontage eintraten.

Wir haften nicht für Installationskosten, Arbeitsaufwand oder Transportkosten, die beim Austausch von defekten Teilen entstehen. Zudem gilt diese eingeschränkte Garantie nicht für unautorisierte Modifikationen am Produkt.

2.0 Introductie

Gefeliciteerd met de aanschaf van uw Frame Zwembad van EXIT Toys!

Pret maken, actief leven en buiten spelen.....

Dat is onze motivatie om innovatief en kwalitatief speelgoed te ontwikkelen voor coole kinderen.

We doen er alles aan om producten te ontwikkelen die veilig zijn voor kinderen. Aangezien onze producten worden geclassificeerd als speelgoed, voldoen we aan de strengste normen op het vlak van consumentveiligheid. Voordat we een product op de markt brengen, laten we onafhankelijke tests uitvoeren voor de vereiste certificaten. We voeren ook voortdurend controles uit tijdens de productie en we laten regelmatig nieuwe onafhankelijke tests uitvoeren als extra controle. Enkel de producten die voldoen aan de strengste normen van EXIT Toys krijgen het EXIT Toys merk.

Wij stellen het zeer op prijs dat u bij ons klant bent en danken u voor het vertrouwen in dit product. We zijn er zeker van dat uw kinderen evenveel van dit product zullen genieten als wij tijdens de ontwikkeling ervan. Omdat we open staan voor uw mening, zijn uw opmerkingen en ideeën steeds welkom zodat we onze producten nog kunnen verbeteren en nieuwe kunnen ontwikkelen. Neem daarom gerust contact op via info@exittoys.com.

Bezoek de wereld van EXIT Toys op www.exittoys.com en ontdek ook onze andere stoere en nieuwe buitenspeel producten.

Het team van EXIT Toys

3.0 Belangrijke veiligheidsvoorschriften



Waarschuwing: Om meer plezier te beleven aan uw zwembad en de veiligheid van de mensen in en rond het zwembad te garanderen, is het belangrijk dat u de volgende veiligheids- en **onderhoudsinstructies STRIKT NALEEFT.**

- 1). VOOR het instellen of gebruik van het zwembad, is de eigenaar van het zwembad ervoor verantwoordelijk alle lokale en nationale wetten die betrekking hebben op de veiligheid van het bovengrondse zwembad. Deze omvatten, maar zijn niet beperkt tot wetten op: vloeren, hekkens, afsluitingen, afdekkingen, zwembadladders, verlichting en verplichte veiligheidsuitrusting. Raadpleeg hierover de plaatselijke autoriteiten.
- 2). Laat kinderen niet zonder toezicht in het zwembad. Zorg altijd dat minstens één verantwoordelijke volwassenen TEN ALLEN TIJDE op alle kinderen let en op degenen die niet weten te zwemmen. Ga nooit alleen zwemmen/baden in het zwembad.
- 3). NOOIT toestaan dat er in het zwembad wordt gedoken of gesprongen. Ga nooit in het zwembad vanaf een vloer of andere verhoogde oppervlakken. Het waterniveau in uw zwembad is extreem ondiep en is niet geschikt voor deze activiteiten. Het niet naleven van deze instructies kan resulteren in ernstige letsels of zelfs overlijden.
- 4). Laat kinderen of volwassen niet toe om te vechten of andere agressieve sporten of activiteiten in of rond het zwembad uit te oefenen. Het niet naleven van deze richtlijn kan leiden tot ernstige letsels voor mensen die zich in en rond het zwembadgebied bevinden.
- 5). Zorg altijd dat de juiste veiligheidsapparatuur voor het zwembad gemakkelijk bereikbaar is in de buurt van uw zwembad. Zorg dat de telefoonnummers voor noodinstanties, alsmede als veiligheidsregels en waarschuwingen (zoals "Niet springen of duiken" en "Niet alleen zwemmen"). Laat geen baders toe in het zwembad tenzij het gebied voldoende helder of verlicht is.
- 6). Alle filters zijn in overeenstemming met de installatiestandaard NF C 15-100 die bepaalt dat alle elektronische apparaten binnen 3,50 m van het zwembad en vrij toegankelijk zijn een lage spanning van 12V moeten hebben. Alle elektrische apparatuur met 220V stroom moet minstens 3,5 meter van de rand van het zwembad staan. Raadpleeg de fabrikant voor enige wijzigingen van een of meerdere elementen op het filtersysteem (voor Frankrijk).
- 7). De veiligheid van de kinderen hangt volledig af van u! Kleine kinderen jonger dan 5 jaar worden blootgesteld aan maximaal gevaar. Het zijn niet altijd de anderen die een ongeval krijgen! Denk daar altijd aan!
- 8). Toezicht en actie:
 - Wijs een persoon aan die verantwoordelijk is voor de veiligheid.

- Er is meer toezicht vereist wanneer er verschillende personen in het zwembad aanwezig zijn.
- Leer uw kinderen zo snel mogelijk zwemmen.
- Maak de hals, armen en benen van het kind nat voordat het in het water gaat.
- Leer EHBO, vooral specifiek gericht op kinderen.
- Verbied jonge kinderen om in het zwembad te duiken of te springen;
- Verbied loopspelletjes en gewelddadige spellen rond het zwembad;
- Laat geen kinderen die niet kunnen zwemmen, zonder begeleiding in het zwembad;
- Laat geen speelgoed achter in de buurt van een onbewaakt zwembad.
- Houd het water schoon en gezond.
- Bewaar waterbehandelingsproducten buiten het bereik van kinderen.

9). Let altijd op het volgende:

- Houd altijd een telefoon binnen handbereik bij het zwembad zodat u kinderen niet alleen hoeft te laten terwijl u aan de telefoon bent.
- Zorg voor een boei en staaf bij het zwembad.

10). Er zijn nog meer uitrustingen die kunnen bijdragen tot de veiligheid.

- Beschermhek waarvan poort altijd gesloten is (zo kan een tuinhedge bijvoorbeeld niet worden beschouwd als een hek).
- Een handmatige of automatische beschermingsafdekking die is geïnstalleerd en vastgezet.
- Een elektronische doorgangs- of valdetector, werkend of operationeel. Geen van deze oplossingen kan echter een nauwgezette supervisie vervangen.

11). Ongeval:

- Trek het kind zo snel mogelijk uit het water.
- Vraag om hulp en ga te werk volgens de opgelegde methode.
- Verwijder de natte kledij en dek het kind af met een warme deken.

12). Onthoud en bewaar noodnummers bij het zwembad:

- Brandweer: (112 voor Europa);
- Medische spoeddienst: (112 voor Europa);

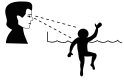
13). Verbied toegang tot het zwembad als de filters van het systeem verslechteren;

14). Niet duiken;

15). Niet op de rand stappen;

16). Waarschuwing: Plaats het lege zwembad nooit in openlucht.

17). Houdt genoeg afstand rond het zwembad: zie tabel 1

VERDRINKING VOORKOMEN

WAARSCHUWING

Houd nauwgezet toezicht op kinderen die zich *in of dichtbij* dit zwembad bevinden. Kinderen jonger dan 5 lopen het meeste risico op verdrinking.

Blijf uit de buurt van afvoerbuizen en aanzuig aansluitingen

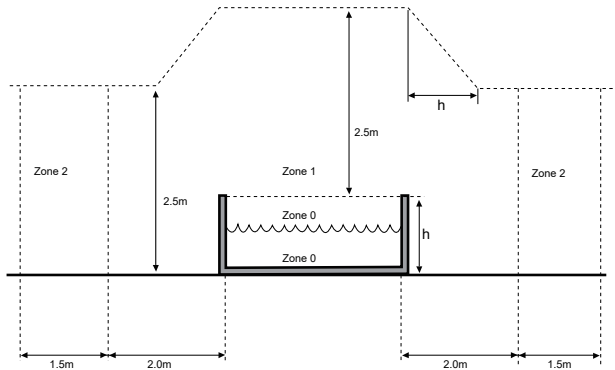

WAARSCHUWING

Uw haar, lichaam en juwelen kunnen in de afvoer worden gezogen. U kunt onder water worden gehouden en verdrinken.

VERBODEN TE DUKEN!

WAARSCHUWING

U kunt uw nek breken en verlamd raken.



tabel 1

4.0 Locatieselectie

WAARSCHUWING: Zwembaden die op onvoldoende egale oppervlakken worden geïnstalleerd, worden aan lekkages, onregelmatige vervormingen of omvallen onderworpen. Dit kan schade aan eigendommen of ernstig letsel aan personen in en rondom het gebied van het zwembad resulteren!

WAARSCHUWING: Gebruik geen zand tijdens de installatieprocedure. Als u merkt dat u een "nivelleringsmiddel" nodig hebt, is uw installatielocatie mogelijk niet geschikt. **HET NIET NALEVEN VAN DEZE WAARSCHUWING KAN LEIDEN TOT ERNSTIGE LICHAAMELIJKE LETSELS.**

VOORZICHTIG: Kies uw installatiegebied nauwkeurig omdat gras en andere plantengroei onder het grondzeil (indien van toepassing) zal sterven. Probeer daarnaast ook om het grondzeil (indien van toepassing) te plaatsen in een gebied dat vatbaar is voor agressieve plant- en onkruidsoorten, omdat ze door het grondzeil (indien van toepassing) kunnen groeien.

VOORZICHTIG: Het zwembad moet toegang hebben tot een AC-stopcontact van 110 of 230 volt dat door een verliesstroomautomaat wordt beschermd. Het zwembad mag niet dichter dan 3 meter van de voedingsbron zijn, maar niet verder dan de lengte van de kabel van de filterpomp. Er mag onder geen enkele omstandigheid een verlengsnoer worden gebruikt om het bereik van de verbinding te verlengen.

Het is absoluut belangrijk dat u voor uw zwembad een geschikte locatie selecteert VOORDAT u probeert het met water te vullen. Selecteer een instellingslocatie die strikt voldoet aan de volgende richtlijnen:

Richtlijn 1. Controleer of het gebied stevig, plat (geen hopen of kuilen van aarde) en extreem waterpas is, met een maximale hellingsgraad van 3° op elk punt in het installatiegebied.

Richtlijn 2. Zorg dat het oppervlak die u hebt geselecteerd om het zwembad op te zetten, volledig vrij is van stenen, stokken, scherpe voorwerpen of ander vreemd afval.

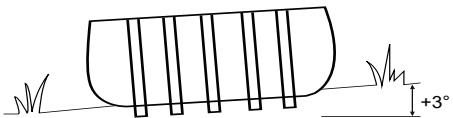
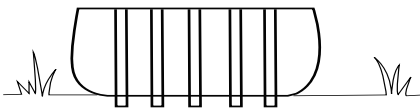
Richtlijn 3. Selecteer een gebied dat niet direct onder bovenstroomleidingen of bomen is. Zorg daarnaast dat het installatiegebied van het zwembad geen ondergrondse pijpleidingen, leidingen of kabels van enige soort bevat.

Richtlijn 4. Als bij uw zwembadpakket een gronddoek is geleverd, is het gebruik ervan sterk aanbevolen. Het grondzeil helpt de zwembadbekleding te beschermen tegen schade door de groei van onkruid, scherpe objecten en afval.

Richtlijn 5. Kies, wanneer mogelijk, een open locatie op uw terrein dat aan direct zonlicht wordt blootgesteld. Dit helpt uw zwembad te verwarmen.

Platte, effen bodem - **JUIST**

Hobbelige, hellende bodem - **FOUT**



5.0 Het zwembad opzetten

BELANGRIJK: Start de montage niet als er stukken ontbreken. Bel het nummer van de klantendienst in uw regio voor vervangstukken.

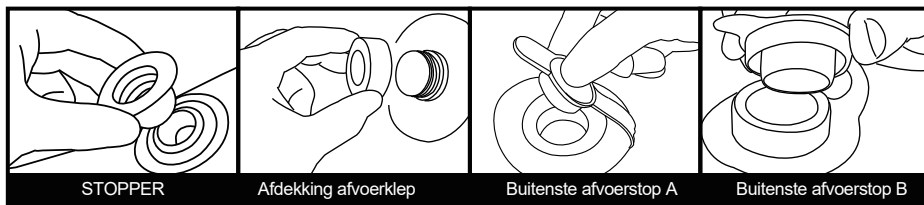
Het aantal personen dat is vereist voor de installatie: minstens twee volwassenen. Totale installatieduur zonder de tijd voor de voorbereiding van de locatie en het bijvullen van water: 45 ~60 minuten.

Stap1. Controle van alle onderdelen

Verwijder alle onderdelen uit de kartonnen verpakking en plaats ze op de grond op de locatie waar ze moeten worden gemonteerd. Controleer elk onderdeel volgens "REFERENTIES ONDERDELEN" 1.0 / 1.1. Controleer of alle onderdelen die moeten worden gemonteerd, aanwezig zijn.

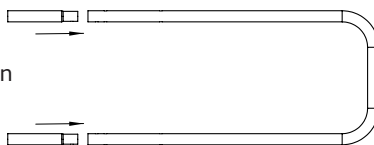
Stap2. Installeer de stopper en afvoerkleppen.

Controleer of de buitenste afvoerstop in de buitenste afvoerkap zit en of de afdekking van de afvoerklep stevig is vastgeschroefd. Sluit de aansluitopeningen aan op de stoppers. (De buitenste afvoerstop verandert afhankelijk van de grootte van het zwembad.)



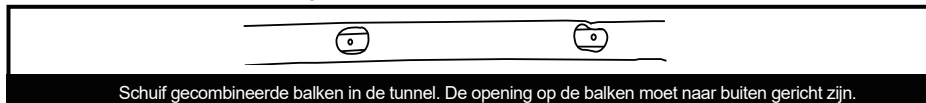
Stap3. Installeer de U-buizen

Installeer de verlengstukken
: alleen op de 1.22m modellen

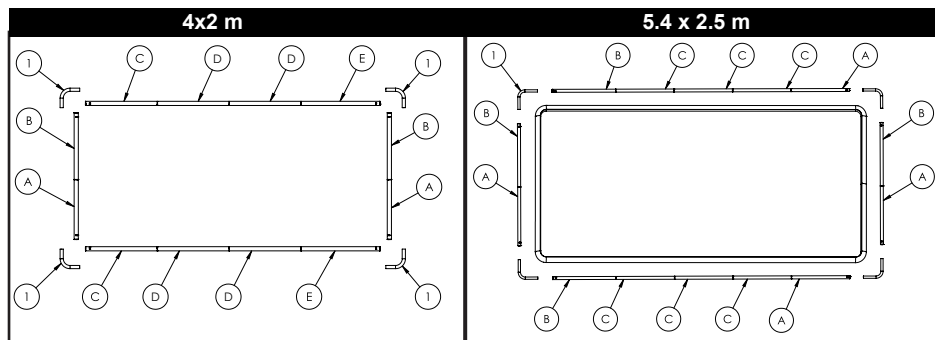


Stap4. Installeer de horizontale balken

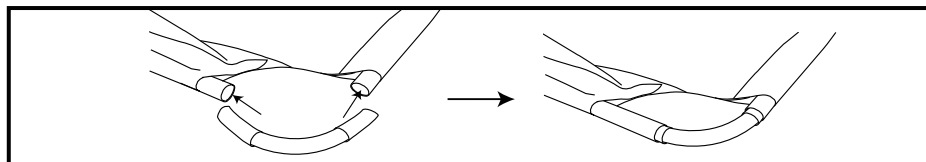
Voor de tunnels aan beide zijden



Schuif gecombineerde balken in de tunnel. De opening op de balk moet naar buiten gericht zijn.

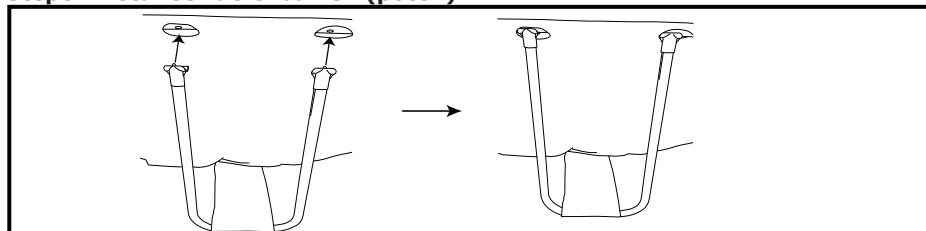


Step5. Installeer de L-buizen (hoekstukken)



Gebruik het aansluitingsuiteinde van de L-buis om de aangrenzende horizontale buizen aan te sluiten.

Step6. Installeer de U-buizen (poten)



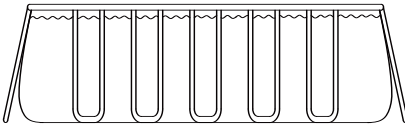
Zoek de eenzijdige openingen op de horizontale balk. Plaats en vergrendel de T-verbindingen in de openingen. Controleer of ze volledig zijn aangesloten.

6.0 Vul het zwembad met water

WAARSCHUWING: Laat het zwembad niet onbewaakt achter tijdens het vullen met water.

WAARSCHUWING: als er meer dan 2,5 - 5 cm water samenstroomt aan een van de zijden voordat het midden wordt gevuld, staat het zwembad niet waterpas genoeg en moet dat worden gecorrigeerd. U moet de afvoerstop uittrekken, het water volledig laten weglopen, het zwembad volledig demonteren, het zwembad op een effen oppervlak plaatsen en de installatierichtlijnen herhalen.

WAARSCHUWING: NIET TE VEEL VULLEN omdat het zwembad hierdoor kan inzakken. Bij zware regenval moet u soms wat water aflaten om zeker te zijn dat het waterpeil goed is.



1. Zorg dat het afvoerhulpstuk stevig is aangesloten en de kap op zijn plaats is. Begin het zwembad te vullen met water. Nadat ongeveer 2,5 cm water op de bodem is gevuld, stopt u het vullen en wrijft u de kreuken uit de onderkant van het zwembad. Trek de buitenwand vanaf de bovenrand, helemaal rond de onderkant van het zwembad, zodat het gelijkmatig wordt gevuld.

2. Ga door met het vullen van het zwembad tot waterlevel

7.0 Demontage en opslag

WAARSCHUWING: Laat uw kinderen niet op het omgevouwen deel staan en zorg dat ze niet in de richting van de wateruitlaat gericht zijn tijdens de afvoer. De waterstroom kan uw kinderen meesleuren.

WAARSCHUWING: Het zwembad moet worden opgeslagen op een koele en droge plek, waar geen scherpe objecten aanwezig zijn of er geen zware objecten boven liggen waardoor het zwembad kan beschadigd raken.

Stap 1. Als u een filterpomp hebt, moet u zorgen dat de elektriciteitsbron naar de filterpomp is losgekoppeld.

Stap 2. Controleer of de buitenste afvoerstop stevig in de binnenzijde van het zwembad is gestopt.

Stap 3. Bevestig uw tuinslang op de connector van de afvoerklep en plaats het andere uiteinde van de slang in een gebied waar het water veilig kan worden afgevoerd, zoals een stormbekken of een goot. Denk eraan dat water altijd zijn eigen niveau zoekt. Daarom moet het uiteinde van de slang langer liggen dan het zwembad zodat een volledige afvoer is gegarandeerd.

Stap 4. Als u een filterpomp hebt, stopt u stopper in de inlaat- en uitlaatbevestigingen, op de binnenkant van het zwembad, en koppelt u vervolgens de filterpompslangen los.

Stap 5. Bevestig de connector van de afvoerklep op de afvoeruitlaat door de connector rechtsonder te draaien.

Stap 6. Open de buitenste afvoerstekker op de binnenkant van het zwembad en het water wordt onmiddellijk afgevoerd.

Stap 7. Koppel de slang en afvoerklepconnector los wanneer u klaar bent.

Stap 8. Vervang de buitenste afvoerstop op de binnenkant van het zwembad.

Stap 9. Zorg dat de zwembadbekleding helemaal droog is voordat u het zwembad

samenvouwt voor langdurige opslag. Als u het zwembad enkele uren blootgesteld laat aan zonlicht, wordt het gereinigd en verloopt het drogen sneller zodat het gemakkelijker wordt om het zwembad op te slaan voor opslag. (Probeer nooit een zwembad op te vouwen of op te beregen als het niet helemaal droog is. Anders kan dit leiden tot de vorming van schimmel terwijl het zwembad is opgeslagen.)

Stap 10. Denk eraan dat een goede opslag tijdens de winter cruciaal is om uw investering in een zwembad te beschermen. Zodra het leeggemaakt en droog is, moet u het zwembad zorgvuldig opvouwen en in een grondzeil (indien beschikbaar) of een soortgelijk beschermend zeilmateriaal wikkelen. Het zwembad en alle toepasselijke accessoires zoals de pomp, afdekken, grondzeil, ladder, slangen, klemmen en hardware moeten samen worden behouden en binnenshuis worden opgeslagen op een redelijk warme, droge en waterdichte locatie.

7.1 Folding instruction

Vóór het opvouwen is het beter alle onderdelen en het zwembad te drogen door ze ongeveer een uur in de zon te leggen (PIC. 1). Verspreid vervolgens wat talkpoeder om te verhinderen dat het PVC samenplakt.

Stap 1. Vouw de uitstekende zijkanten naar binnen om de rechthoekige vorm te maken (PIC. 2).

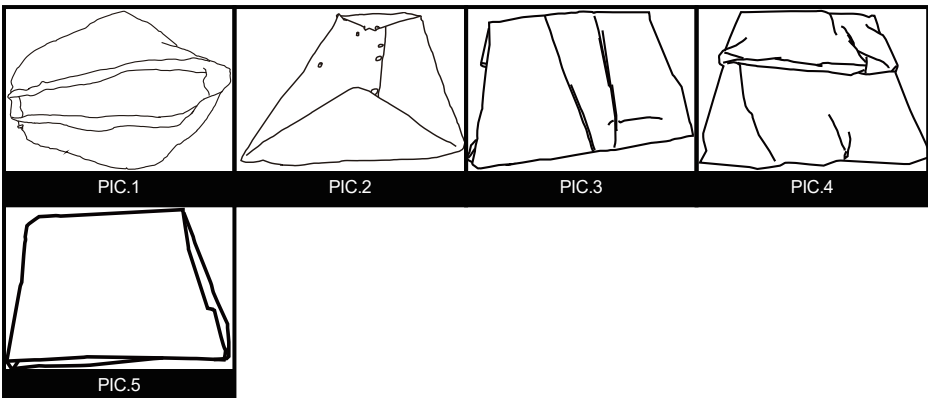
Stap 2. Vouw elke helft van de rechthoek om een kleinere rechthoekige vorm te maken (PIC. 3).

Stap 3. Vouw elk uiteinde naar achter. (PIC. 4).

Stap 4. Vouw de resterende uiteinden samen om een rechthoekige vorm te maken (PIC. 5).

TIPS1. Verwijder de lucht binnenin om het gevouwen zwembad dun en plat te maken tijdens elke vouw.

TIPS2. De originele verpakking kan worden gebruikt voor opslag.



8.0 Seizons onderhoud en waterverzorging

WAARSCHUWING: Indien toepasselijk, is de filterpomp die bij uw zwembad is geleverd, ontworpen voor het verwijderen van vuil en andere kleine deeltjes uit uw zwembadwater. Om er echter voor te zorgen dat het zwembadwater perfect zuiver, algenvrij en beschermd is tegen schadelijke bacteriën, is het HEEL BELANGRIJK EEN CONSISTENT SCHEMA VAN CHEMISCHE BEHANDELING TOE TE PASSEN. Neem contact op met uw lokale zwembadhandelaar voor richtlijnen over het veilig en effectief gebruik van chloor, schok, algicide en andere dergelijke chemische middelen.

WAARSCHUWING: om irritatie van de huid en ogen of zelfs letsels aan baders te voorkomen, mag u nooit chemische producten in het zwembad doen terwijl er personen in het zwembad zijn. Voeg nooit chemische producten of stoffen toe aan uw zwembad als u niet de juiste hoeveelheid of het juiste type kunt controleren om het toe te voegen aan het water. Raadpleeg een zwembadhandelaar voor specifieke instructies en richtlijnen betreffende het gebruik van chemische producten in uw zwembad.

WAARSCHUWING: wij raden zwembadeigenaars sterk aan het water in hun zwembad frequent te testen om zeker te zijn dat de pH- en chloorconcentratie in het water optimaal is voor veilig en aangenaam zwemmen gedurende het hele seizoen. Raadpleeg uw zwembadhandelaar voor een geschikte testset en instructies over het gebruik ervan.

WAARSCHUWING: Niet-naleving van de onderhoudsvorschriften kunnen een ernstig gevaar voor de gezondheid, vooral voor kinderen, veroorzaken.

Dit product is bedoeld om buiten het seizoen te worden opgeslagen. Als u in een temperatuursgebied leeft waar het zwembad niet het hele jaar wordt gebruikt, wordt u TEN ZEERSTE AANGERADEN om het zwembad leeg te laten lopen, grondig te laten drogen en het voor het buitenseizoen op een beschermde plaats op te slaan. Hiermee verlengt u de levensduur van het zwembad en voorkomt u dat er een veiligheidsrisico optreedt terwijl het zwembad niet in gebruik is. Tijdens het gebruikseizoen van het zwembadpakket, moet het filtersysteem (indien van toepassing) dagelijks worden ingeschakeld, lang genoeg om zeker te zijn dat het watervolume minstens eenmaal is vernieuwd.

Om uw zwembadwater het hele seizoen schoon en hygiënische te houden, moet u nauwgezet de volgende richtlijnen volgen:

1. Het juiste en consistente gebruik van standaard chemische zwembadproducten is vereist om een juiste pH-balans in uw zwembadwater te behouden. Bovendien zal het gebruik van chemische producten de groei van schadelijke bacteriën of algen in uw zwembad stoppen en uw filterpomp helpen het water in uw zwembad kristalhelder te houden. Chemische producten die uw zwembad mogelijk nodig heeft, omvatten, maar zijn niet beperkt tot:

1) Chloor in tabletvorm, korrels of vloeibaar: Desinfecteer zwembadwater en verhindert de groei van algen.

2) Chemische stoffen voor de regeling van het PH-gehalte: Deze worden gebruikt voor het corrigeren van PH-niveau en maken water meer of minder zuurhoudend.

3) Algiciden: deze chemische producten worden geformuleerd voor het verwijderen van algen.

4) "Shock" (Superchlorinator): Elimineert bepaalde organisch en andere gecombineerde stoffen die de waterhelderheid kan beïnvloeden. Om specifieke details over het gebruik van chemische producten te verkrijgen, raadpleegt u een lokale zwembadhandelaar en vermeldt u het volume water in uw specifiek zwembad en, indien gewenst, een staal van uw zwembadmonster. Hiermee zult u ze goed kunnen informeren over: 1) de chemische producten die moeten worden aangeschaft, 2) de aan te kopen hoeveelheid van chemische producten en 3) hoe u specifieke chemische producten veilig en effectief kunt gebruiken.

2. Zorg dat chloor nooit in direct contact komt met de bekleding van het zwembad zolang het niet volledig is opgelost. Dit betekent dat chloor in korrels of tabletten eerst moet worden opgelost in een emmer water voordat het in het zwembad wordt gegoten. Op dezelfde manier moet vloeibare chloor gelijkmatig in het zwembadwater worden gegoten vanaf verschillende locaties rond het zwembad.

GEVAAR: voeg NOOIT water toe aan chemische producten. Voeg IN PLAATS DAARVAN chemische producten toe aan water. Meng nooit afzonderlijke chemische producten samen. Voeg chemische producten eerder afzonderlijk toe aan het zwembad en laat ze door het zwembad circuleren voordat u extra types chemische producten toevoegt.

3. Wij raden u aan een testkit aan te schaffen en uw zwembadwater vaak te testen om zeker te zijn dat de PH-balans en chloorniveaus optimaal zijn. Uw lokale zwembadhandelaar kan informatie bieden over de aankoop en het gebruik van een testset die het meest geschikt is voor uw behoeften. **OPMERKING:** Te hoge chloorniveaus of lage (zuurhoudende) pH-niveaus kan de zwembadbekleding beschadigen. Breng daarom zo snel mogelijk correcties aan als de tests een van de twee omstandigheden aantonen. De taken voor het verwijderen van groter afval uit uw zwembad en het schoon houden van de binnenkant van de zwembadbekleding, worden vereenvoudigd met een snel op te zetten zwembadpakket dat een bladschepnet en een stofzuiger met tuinslang. Onderhoudspakketten zijn inbegrepen als een bonusfunctie in grotere zwembadsystemen. Ze kunnen ook afzonderlijk worden aangeschaft als een accessoire. Neem contact op met uw lokaal centrum voor service na verkoop voor advies over reparaties tijdens de levensduur van het zwembadpakket.

4. Controleer, indien toepasselijk, elke twee weken (of vaker tijdens perioden van intens gebruik) de cassette van uw filterpomp om te zien of de deze moet worden gereinigd of vervangen. Als uw cassette niet meer wit is, probeert u deze schoon te spuiten met een krachtige straal water van uw tuinslang. Als uw cassette niet op deze wijze kan worden gereinigd, moet de cassette worden vervangen. Als u de cassettes niet regelmatig reinigt en/of vervangt, wordt de doeltreffendheid van uw filterpomp beïnvloed en kan de nuttige levensduur verkorten.

5 Als uw zwembadstelsel een afdekking heeft, moet u proberen het zwembad altijd afgedekt te houden wanneer het niet in gebruik is. Hiermee wordt verhinderd dat de wind en andere elementen vuil en afval in uw zwembad afzetten. Bovendien kan het zwembad niet overvol worden door regenwater.

6. Herinner uw familie en vrienden eraan om altijd vuil of zonnebrandolie van hun handen en lichaam te spoelen voordat ze in het zwembad stappen.

7. Het is nodig de bouten en bouwelementen van het zwembad te controleren (bijv. roestvlek) wanneer dat nodig is.

8. Zodra uw zwembad voor het seizoen is gevuld met water, moet u erop

letten dat uw zwembad niet overvol raakt door regenwater of door het per ongeluk te veel vullen; In dat geval is het belangrijk zo snel mogelijk overtollig water af te laten of leeg te hozen. Als het een opblaasbaar ringbad is, mag het waterpeil nooit hoger zijn dan de onderste rand van de opblaasbare ring.

9.0 Problemen oplossen

PROBLEEM	BESCHRIJVING	OORZAAK	OPLOSSING
GEKLEURD WATER	<ul style="list-style-type: none"> Het water wordt blauw, bruin of zwart wanneer het de eerste keer wordt behandeld met chloor. 	<ul style="list-style-type: none"> Chloor oxideert mineralen in uw water. Dit gebeurt doorgaans met water van verschillende bronnen. 	<ul style="list-style-type: none"> Pas de pH-waarde aan naar het aanbevolen niveau. Laat de filter lopen tot het water helder is. Maak de cassette regelmatig schoon.
ZWEENDE DEELTJES IN WATER	<ul style="list-style-type: none"> Water ziet er "melkachtig" of bewolkt uit. 	<ul style="list-style-type: none"> "Hard water" veroorzaakt door een hoge pH-waarde. Chlorering volstaat niet. Vreemd afval in water. Baders reinigen hun voeten niet voordat ze in het zwembad stappen. 	<ul style="list-style-type: none"> Pas de pH-waarde aan. Raadpleeg een zwembadhandelaar voor een correcte waterbehandeling. Zorg voor het juiste chloorniveau. Reinig of vervang uw filter. Spuut vuil af met een hogedrukslang voordat u in het zwembad stapt.
BLIJVEND LAAG WATERPEIL	<ul style="list-style-type: none"> Het zwembad lijkt dagelijks water te verliezen. 	<ul style="list-style-type: none"> Scheur of gat in de zwembadbekleding. Scheur of gat in een filterpompslang. Slangklemmen zijn te los. Verdamping door hoge zomertemperaturen. 	<ul style="list-style-type: none"> Zoek de schade en repareer deze met de bijgeleverde reparatiekit. Repareer of vervang de slangen. Maak alle slangklemmen vast. Houd het zwembad afgedekt wanneer het niet in gebruik is.
ALGEN	<ul style="list-style-type: none"> Water heeft een groenachtige tint. Groene, bruine of zware punten verschijnen op de zwembadbekleding. De bodem van het zwembad is glad en/of er is een onaangename geur aanwezig. 	<ul style="list-style-type: none"> Er zijn algen aanwezig. 	<ul style="list-style-type: none"> Pas een "schokbehandeling" toe (superchlorinator). Controleer pH en pas de waarde aan naar een geschikt niveau volgens uw lokale zwembadhandelaar. Stofzuig of schrob de zwembadbehuizing licht. Test vaak het water om geschikte chloorniveaus te behouden.
HET ZWEMBADWATER IS KOEL	<ul style="list-style-type: none"> Water warmt niet op naar een comfortabele zwemtemperatuur. 	<ul style="list-style-type: none"> Zwembad is geïnstalleerd op een plaats waar veel schaduw is of waar bomen staan. Er ontsnapt warmte aan het 	<ul style="list-style-type: none"> Verplaatst het zwembad naar een meer open locatie waar het maximaal wordt blootgesteld aan zonlicht tijdens piekuren. Houd uw zwembad afgedekt wanneer het

10.0 Beperkte Garantie

We bieden voor alle componenten van dit zwembad (zonder de filterpompenheid*) een garantie tegen defecten in materialen en werkuitvoering, gedurende een periode van 90 dagen vanaf de aankoopdatum, bij normaal gebruik en service, alleen voor de originele koper.

Zijn er onderdelen door de gebruiker vervangen, beschadigd of onjuist gebruikt, dan is de garantie op die onderdelen ongeldig. In dat geval zullen we u informeren over de prijs van vervangingsonderdelen en de verdere instructies.

Als gedurende de relevante tijdsperiode een verifieerbare fabrieksfout wordt gevonden, gaan wij als optie van de garantie voor een product ermee akkoord om het te repareren of te vervangen, mits het juiste aankoopbewijs wordt getoond.

Deze beperkte garantie is niet geldig als het product voor commerciële doeleinden wordt gebruikt, of bij schade door een ongeluk, natuurramp, verkeerd gebruik, verwaarlozing of misbruik, vandalisme, onjuist gebruik van chemicaliën, blootstelling aan extreme weersomstandigheden of verwaarlozing tijdens het instellen of demonteren van het product.

Wij kunnen niet aansprakelijk worden gesteld voor de kosten van installatie, werkzaamheden of transportkosten die zich door vervanging van defecte onderdelen voordoen. Verder dekt deze beperkte garantie geen onbevoegde wijzigingen die aan het product zelf worden uitgevoerd.

2.0 Introduction

Vous venez de faire l'acquisition du EXIT Frame Pool; nous vous en félicitons!

S'amuser, être actif et jouer dehors.....

Nous faisons tout notre possible pour développer des produits sûrs pour les enfants. Étant donné que nos produits sont classés comme étant des jouets, nous nous conformons aux réglementations de sécurité des consommateurs les plus rigoureuses. Avant de commercialiser nos produits, nous faisons réaliser des tests indépendants en vue d'obtenir la certification. Nous testons également en continu nos cycles de production et faisons régulièrement réaliser des tests indépendants à titre de contrôle supplémentaire. Seuls les produits qui se montrent à la hauteur de la norme EXIT Toys la plus rigoureuse sont porteurs de l'étiquette EXIT Toys.

Nous souhaitons vous remercier pour l'achat de ce produit et pour votre fidélité. Nous sommes sûrs que vos enfants s'amuseront autant que nous nous sommes amusés durant la phase de développement. Nous sommes très ouverts et preneurs de tous les commentaires et idées qui pourraient nous aider à améliorer nos produits et à en développer de nouveaux. Vous êtes invités à nous envoyer vos idées à info@exittoys.com.

Découvrez le monde de EXIT Toys, ses produits de divertissement branchés et ses nouveautés sur www.exittoys.com.

L'équipe EXIT Toys.

3.0 RÈGLES IMPORTANTES DE SÉCURITÉ

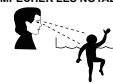


AVERTISSEMENT: Pour augmenter l'agrément de votre piscine et protéger la sécurité des personnes dans et autour de la piscine, **RESPECTEZ TOUJOURS STRICTEMENT** les instructions de sécurité et de maintenance suivantes

- 1). Il est de la responsabilité du propriétaire de la piscine d'identifier et de respecter toutes les lois locales et nationales concernant la sécurité des piscines hors sol AVANT d'installer ou d'utiliser la piscine. Elles comprennent, mais ne se limitent pas à, des lois sur : les terrasses, les clôtures, les barrières, les couvercles, les échelles de piscine, l'éclairage et les équipements de sécurité exigés. Veuillez consulter les autorités locales pour vous assurer de la conformité.
- 2). Ne laissez pas les enfants sans surveillance dans la piscine. Assurez-vous toujours qu'au moins un adulte responsable encadre tous les enfants et en particulier ceux qui ne savent pas nager, À CHAQUE INSTANT. Ne nagez jamais / ne vous baignez jamais tout seul.
- 3). Ne laissez JAMAIS personne plonger ou sauter dans la piscine. N'entrez jamais dans la piscine depuis une terrasse ou une autre surface surélevée. Le niveau d'eau dans votre piscine est extrêmement peu profond et n'est pas adapté à ces activités. Ne pas respecter ces instructions peut entraîner de graves blessures voire la mort.
- 4). N'autorisez pas les enfants ou les adultes à participer à des « bagarres » ou à d'autres activités ou sports agressifs dans ou autour de la piscine. Ne pas respecter cette directive peut causer de graves blessures pour les personnes dans et autour de la piscine.
- 5). Conservez toujours l'équipement de sécurité approprié de la piscine dans une zone facilement accessible à proximité de votre piscine. Signalez de manière claire les numéros de téléphone de secours ainsi que les bulletins de renseignements et les règles de sécurité (telles que « Défense de sauter et de plonger » et « Ne pas nager seul » N'autorisez pas les baigneurs dans la piscine si la zone n'est pas suffisamment lumineuse ou éclairée.
- 6). Tous les filtrages sont conformes à la norme d'installation NF C 15-100 qui spécifie que tous les équipements électriques situés à moins de 3,50 m du bassin et avec un accès libre doivent avoir une alimentation basse tension de 12 V. Tous les équipements électriques alimentés en 220 V doivent se situer à au moins 3,50 mètres du bord du bassin. Consultez le fabricant en cas de changement d'un ou plusieurs éléments du système de filtrage (pour le marché français).
- 7). La sécurité des enfants dépend entièrement de vous ! Les enfants de moins de 5 ans sont exposés au danger maximal. Les accidents n'arrivent pas toujours aux autres ! Veuillez le garder à l'esprit à tout moment !
- 8). Surveillez et agissez :
 - Désigner une personne responsable de la sécurité.

- La surveillance des enfants doit être rapprochée et constante ;
 - Désignez un seul responsable de la sécurité ;
 - Renforcez la surveillance lorsqu'il y a plusieurs utilisateurs dans la piscine ;
 - Apprenez à nager à vos enfants dès que possible ;
 - Mouillez nuque, bras et jambes avant d'entrer dans l'eau ;
 - Apprenez les gestes qui sauvent et surtout ceux spécifiques aux enfants ;
 - Interdisez le plongeon ou les sauts en présence de jeunes enfants ;
 - Interdisez la course et les jeux vifs aux abords de la piscine ;
 - N'autorisez pas l'accès à la piscine sans gilet ou brassière pour un enfant ne sachant pas bien nager et non accompagné dans l'eau ;
 - Ne laissez pas de jouets à proximité et dans le bassin qui n'est pas surveillé ;
 - Maintenez en permanence une eau limpide et saine ;
 - Stockez les produits de traitement d'eau hors de la portée des enfants ;
- 9). Prévoyez :
- Téléphone accessible près du bassin pour ne pas laisser vos enfants sans surveillance quand vous téléphonez ;
 - Bouée et perche à proximité du bassin ;
- 10). Par ailleurs, certains équipements peuvent contribuer à la sécurité :
- Barrière de protection dont le portail sera constamment maintenu fermé (par exemple une haie ne peut être considérée comme une barrière) ;
 - Couverture de protection manuelle ou automatique correctement mise en place et fixée ;
 - Détecteur électronique de passage ou de chute, en service et opérationnel ; mais ils ne remplacent en aucun cas une surveillance rapprochée ;
- 11). En cas d'accident :
- Sortez l'enfant de l'eau le plus rapidement possible ;
 - Appelez immédiatement du secours et suivez les conseils qui vous seront donnés ;
 - Remplacez les habits mouillés par des couvertures chaudes ;
- 12). Mémorisez et affichez près de la piscine les numéros de premiers secours :
- Pompiers : (18 pour la France) ;
 - SAMU : (15 pour la France) ;
 - Centre antipoison ;
- 13). Interdire l'accès au bassin en cas de détérioration du ou des système(s) de filtration :
- 14). Ne pas plonger ;
- 15). Ne pas marcher sur la margelle ;
- 16). Avertissement : Ne mettez jamais la piscine vide à l'air libre.
- 17). Gardez une distance suffisante autour de la piscine: voir tableau 1

EMPÊCHER LES NOYADES



AVERTISSEMENT

Observez étroitement les enfants qui se trouvent dans ou à proximité de cette piscine. Les enfants de moins de 5 ans présentent le risque le plus élevé de noyade.

Restez à l'écart des dispositifs d'évacuation et d'aspiration



AVERTISSEMENT

Vos cheveux, votre corps et vos bijoux peuvent être aspirés dans l'évacuation. Vous pourriez être maintenu sous l'eau et vous noyer !

NE PAS PLONGER !



AVERTISSEMENT

Vous pouvez vous rompre le cou et rester paralysé !

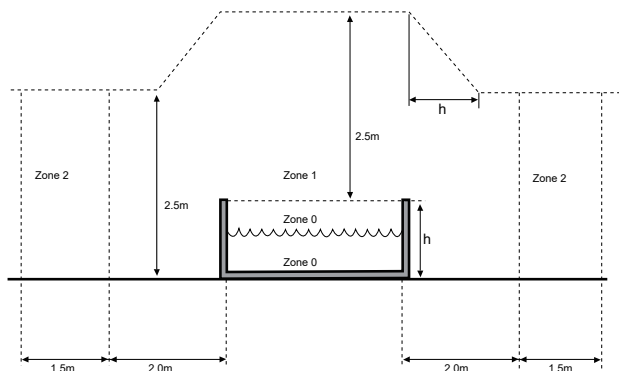


tableau 1

4.0 SÉLECTION DU SITE

AVERTISSEMENT: Les piscines installées sur des surfaces insuffisamment de niveau sont soumises à des fuites, à la formation d'irrégularités, ou à l'effondrement, ce qui peut entraîner des dommages matériels ou des blessures graves pour les personnes à l'intérieur ou autour de la piscine !

AVERTISSEMENT: N'utilisez pas de sable pendant le processus d'installation. S'il apparaît qu'il y a besoin d'utiliser un « agent de nivellement », votre site d'installation est probablement inadapté. **NE PAS RESPECTER CET AVERTISSEMENT PEUT CAUSER DE GRAVES BLESSURES.**

ATTENTION: Veuillez choisir soigneusement votre zone d'installation car la pelouse et la végétation souhaitée sous la toile de sol (le cas échéant) mourra. De plus, essayez d'éviter d'installer la toile de sol (le cas échéant) dans des zones sujettes à des espèces de plantes et de mauvaises herbes agressives, car elles peuvent pousser à travers la toile de sol (le cas échéant).

ATTENTION: La piscine doit être accessible à une prise CA 110 ou 230 V protégée par un disjoncteur différentiel de fuite à la terre (DDFT). La piscine ne doit pas être installée à moins de 3 mètres de la source d'alimentation, mais pas au-delà de la longueur du cordon de la pompe filtrante. En aucun cas une rallonge électrique ne doit être utilisée pour étendre la portée du raccordement.

Il est absolument essentiel de sélectionner un site adapté pour votre piscine AVANT d'essayer de la remplir avec de l'eau. Veuillez sélectionner un site d'installation qui respecte strictement les directives suivantes :

Guide1. Assurez-vous que la zone est ferme, plane (aucune bosse ou butte de terre) et extrêmement horizontale, avec une déclivité ne dépassant pas 3° de pente en tout point de la zone d'installation.

Guide2. Assurez-vous que la surface que vous avez choisie pour mettre en place la piscine est complètement exempte de bâtons, de pierres, d'objets tranchants ou d'autres débris étrangers.

Guide3. Sélectionnez une zone qui n'est pas directement sous les lignes électriques aériennes ou les arbres. De plus, assurez-vous que la zone d'installation de la piscine ne contient pas de canalisations, de lignes ou de câbles souterrains d'aucune sorte.

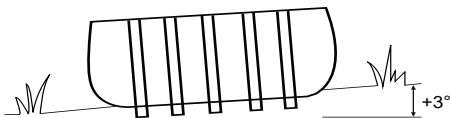
Guide4. Si une toile de sol est fournie avec votre ensemble de piscine, son utilisation est hautement recommandée. La toile de sol permet de protéger le liner de la piscine des dommages dus aux mauvaises herbes, aux objets pointus et aux débris.

Guide5. Si possible, choisissez un emplacement ouvert de votre propriété qui est exposé à la lumière directe du soleil. Ceci vous permettra de chauffer votre piscine.

Sol plat, horizontal CORRECT



Sol bosselé, en pente-INCORRECT



5.0 INSTALLER LA PISCINE

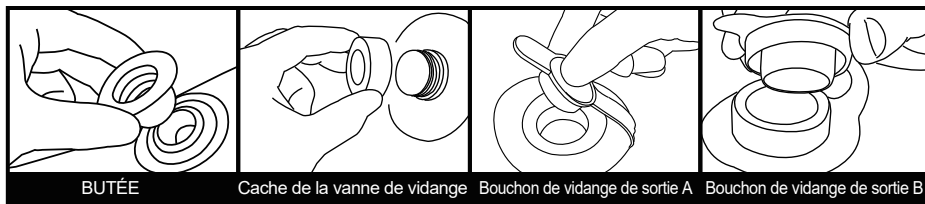
IMPORTANT: Ne commencez pas le montage si des pièces sont manquantes. Pour des pièces de rechange, appelez le numéro de téléphone du Service client dans votre région. Le nombre de personnes nécessaire pour le montage: Au moins 2 personnes. Le temps indicatif de réalisation globale hors préparation du terrain et hors mise en eau: 45 ~60 minutes.

Étape1. PRISE EN COMPTE DE TOUTES LES PIÈCES.

Retirez toutes les pièces du/des carton(s) et placez-les au sol, à l'emplacement où elles doivent être assemblées. Vérifiez chaque pièce selon la « RÉFÉRENCE DES PIÈCES » 1.0 / 1.1. Assurez-vous que toutes les pièces à assembler sont prises en compte.

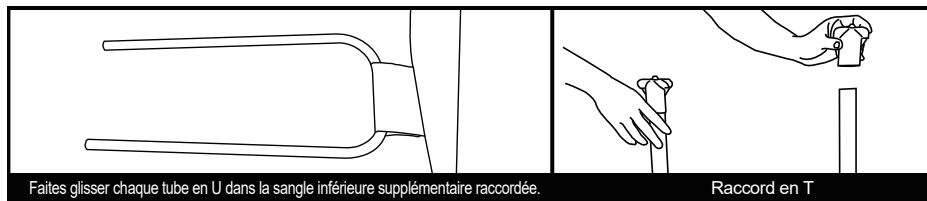
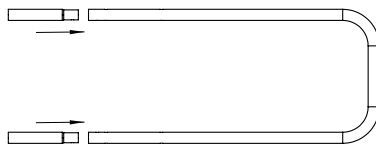
Étape2. INSTALLEZ LE CACHE ET LE BOUCHON DES SOUPAPES DE VIDANGE

Assurez-vous que le bouchon de vidange extérieur est inséré dans le capuchon de vidange extérieur et que le cache de la soupape de vidange est vissé fermement. Insérez les trous de raccordement avec les bouchons. (Le bouchon de vidange de sortie change en fonction des différentes tailles de piscine.)



Étape3. INSTALLEZ LES TUBES EN U

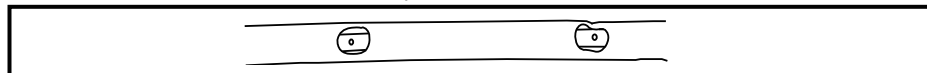
Installez les extensions de jambe: uniquement sur les modèles 1.22m



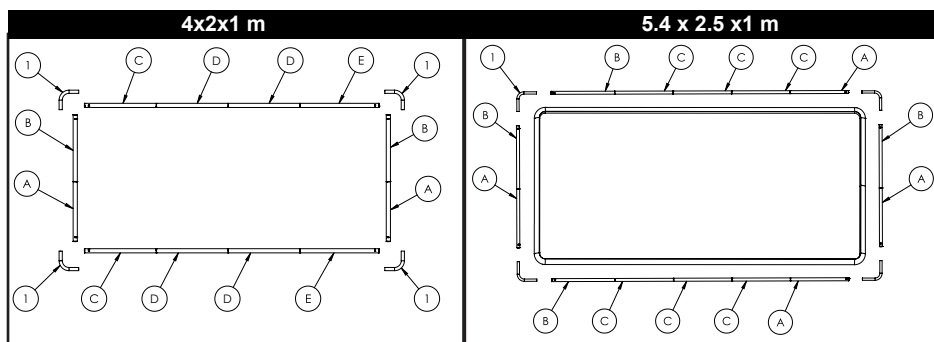
Étape4. INSTALLEZ LA POUTRE HORIZONTALE

Pour le manchon du côté long de la piscine :

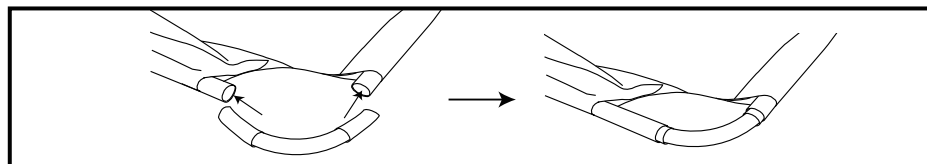
Pour le manchon du côté court de la piscine :



Faites coulisser les poutres combinées dans le manchon, le trou des poutres doit être dirigé vers l'extérieur.

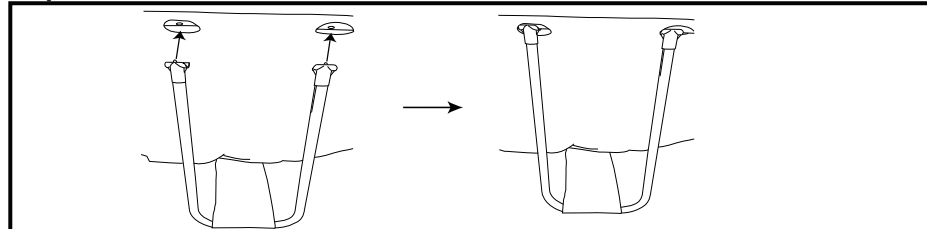


Étape5. INSTALLEZ LA POUTRE HORIZONTALE ET LE TUBE EN L.



Utilisez l'extrémité de connexion du tube en L pour connecter les tubes horizontaux adjacents avec le manchon

Étape6. INSTALLER LA POUTRE HORIZONTALE ET LES TUBES EN



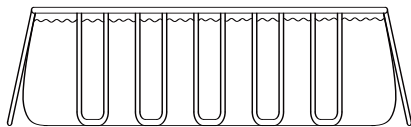
Trouvez les trous sur un côté de la poutre horizontale. Placez et verrouillez les raccords en T dans les trous. Assurez-vous qu'ils sont complètement raccordés

6.0 REMPLIR LA PISCINE D'EAU

AVERTISSEMENT: Ne laissez pas la piscine sans surveillance lors de son remplissage d'eau.

AVERTISSEMENT: Si plus d'1 à 2 pouces d'eau s'accumule sur un côté avant que vous ne commenciez à remplir au centre. La piscine n'est pas assez horizontale, ce qui doit être corrigé ! Vous devez retirer le bouchon de vidange, vider complètement l'eau, démonter complètement la piscine, localiser la piscine sur une surface plane et répéter les instructions d'installation.

AVERTISSEMENT: NE REMPLISSEZ PAS TROP car cela pourrait entraîner l'effondrement de la piscine. En cas de pluie importante, vous devrez peut-être vider de l'eau pour vous assurer que le niveau est correct.



1. Assurez-vous que le raccord de vidange est solidement inséré et que le capuchon est en place. Commencez à remplir la piscine d'eau. Dès qu'environ 1 pouce d'eau est sur le fond, arrêtez de remplir et lissez les plis sur le fond de la piscine. Retirez la paroi extérieure du bord supérieur, sur tout le fond de la piscine, afin qu'il se remplisse de manière homogène.

2. Continuez à remplir la piscine jusqu'à ce que la de niveau d'eau.

7.0 DÉMONTAGE ET STOCKAGE

AVERTISSEMENT: Ne laissez pas vos enfants se tenir sur le pli du bas et face à la sortie de l'eau pendant la vidange. Le courant de l'eau peut emporter vos enfants.

AVERTISSEMENT: La piscine doit être stockée dans un endroit frais et sec, sans objet pointu autour ni objets lourds situés au-dessus, ce qui peut endommager la piscine.

Étape 1. Si vous avez une pompe filtrante, assurez-vous que la source électrique de la pompe filtrante a été débranchée.

Étape 2. Vérifiez que le bouchon de vidange est inséré fermement à l'intérieur de la piscine.

Étape 3. Attachez votre tuyau d'arrosage au connecteur de la soupape de vidange et placez l'autre extrémité du tuyau dans une zone où l'eau peut s'écouler en toute sécurité, telle qu'un collecteur d'eaux pluviales ou un caniveau. N'oubliez pas que vu que l'eau trouve toujours son propre niveau, l'extrémité du tuyau doit être moins élevée que la piscine pour assurer une vidange complète.

Étape 4. Si vous avez une pompe filtrante, insérez le bouchon dans les dispositifs d'entrée et de sortie, à l'intérieur de la piscine, puis débranchez les tuyaux de la pompe filtrante.

Étape 5. Fixez le connecteur de la soupape de vidange à la sortie de vidange en tournant le connecteur dans le sens des aiguilles d'une montre.

Étape 6. Ouvrez le bouchon de vidange à l'intérieur de la piscine et l'eau commence à s'évacuer immédiatement.

Étape 7. Débranchez le tuyau et le connecteur de la soupape de vidange dès que terminé.

Étape 8. Remettez le bouchon de vidange à l'intérieur de la piscine.

Étape 9. Assurez-vous que le liner de la piscine a complètement séché avant de plier

la piscine pour un stockage à long terme. Laisser la piscine exposée à la lumière du soleil pendant quelques heures nettoie et accélère le processus de séchage et facilite le pliage de la piscine pour son stockage. (N'essayez jamais de plier ou de ranger une piscine qui n'est pas complètement sèche car cela pourrait entraîner une prolifération de moisissure pendant que la piscine est stockée).

Étape 10. N'oubliez pas qu'un stockage correct hors saison est crucial pour protéger votre investissement dans votre piscine (en particulier en hiver). Une fois vidée et sèche, votre piscine doit être soigneusement pliée et enveloppée dans un tapis de sol (le cas échéant) ou un autre élément de protection similaire de type bâche. La piscine et tous les accessoires applicables tels que la pompe, le couvercle, le tapis de sol, l'échelle, les tuyaux, les brides de fixation et la quincaillerie doivent être conservés ensemble et stockés à l'intérieur, dans un emplacement raisonnablement chaud, sec et résistant à l'eau.

7.1 INSTRUCTIONS DE PLIAGE

Avant le pliage, il est préférable de sécher complètement toutes les pièces et la piscine en les laissant au soleil pendant environ 1 heure (IMG.1). Puis appliquez du talc pour empêcher le vinyle de rester collé.

Étape 1. Veuillez plier les bords de la protrusion à l'intérieur pour obtenir une forme rectangulaire. (PIC. 2).

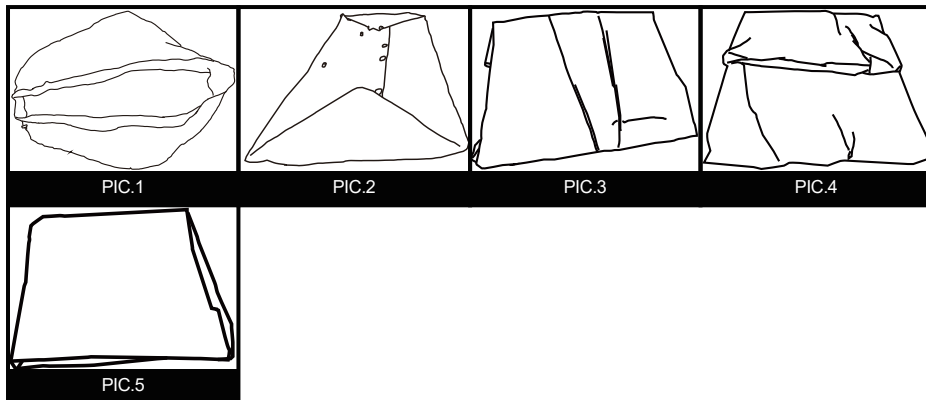
Étape 2. Pliez chaque moitié du rectangle pour obtenir une forme rectangulaire plus petite (PIC. 3).

Étape 3. Pliez chaque extrémité vers l'arrière. (PIC. 4).

Étape 4. Pliez ensemble les extrémités restantes pour créer un dernier rectangle (PIC. 5).

CONSEIL 1. Veuillez retirer l'air à l'intérieur pour rendre la piscine pliée fine et plate lors de chaque pliage.

CONSEIL 2. L'emballage d'origine peut être utilisé pour le stockage.



8.0 MAINTENANCE ET SOIN DE L'EAU

AVERTISSEMENT: Le cas échéant, la pompe filtrante incluse avec votre piscine est conçue pour retirer les saletés et les autres petites particules de l'eau de votre piscine. Cependant, pour maintenir l'eau de la piscine parfaitement claire, exempte d'algues et sans bactérie nocive, il est TRÈS IMPORTANT DE MENER UN RÉGIME CONSTANT DE TRAITEMENT CHIMIQUE. Contactez votre détaillant local de fournitures de piscines pour des conseils sur l'utilisation sûre et efficace du chlore, du choc, de l'algicide et d'autres produits chimiques.

AVERTISSEMENT: Pour éviter une irritation de la peau et des yeux, voire des blessures aux baigneurs, n'ajoutez jamais de produits chimiques dans la piscine pendant qu'elle est occupée. N'ajoutez jamais de produits chimiques ou de substances dans votre piscine si vous ne pouvez pas vérifier la quantité exacte ou le type à ajouter dans l'eau. Consultez un détaillant en fournitures de piscines pour des instructions et des directives spécifiques concernant l'utilisation de produits chimiques dans votre piscine.

AVERTISSEMENT: Il est vivement recommandé que les propriétaires de piscine testent fréquemment l'eau de leur piscine pour s'assurer que le pH et la concentration en chlore de l'eau sont optimaux pour une baignade sûre et agréable pendant toute la saison. Veuillez consulter votre détaillant en fournitures de piscines pour obtenir un kit d'essai adapté et des instructions sur son utilisation.

AVERTISSEMENT: Le non-respect des consignes d'entretien peut engendrer des risques graves pour la santé, notamment celle des enfants.

Ce produit est conçu pour être une piscine saisonnière stockable. Si vous habitez dans une zone tempérée où la piscine ne sera pas utilisée toute l'année, il est FORTEMENT RECOMMANDÉ de vider votre piscine, de la nettoyer et de la sécher minutieusement et de le stocker dans un endroit protégé hors saison. Cela permettra de prolonger la durée de vie de votre piscine et d'éviter qu'un danger ne se développe alors que la piscine n'est pas en cours d'utilisation. Pendant la saison d'utilisation du kit de piscine, le système de filtration (le cas échéant) doit être mis en service tous les jours, suffisamment longtemps pour garantir au moins un renouvellement complet du volume d'eau.

Afin de conserver l'eau de votre piscine propre et hygiénique pendant toute la saison, veuillez respecter étroitement les directives suivantes :

1. L'utilisation appropriée et suivie de produits chimiques de base pour piscines est nécessaire pour maintenir l'équilibre de pH approprié dans l'eau de votre piscine. De plus, l'application de produits chimiques permet d'empêcher le développement de bactéries nocives ou d'algues dans votre piscine et aide votre pompe filtrante à conserver votre eau cristalline. Les produits chimiques pouvant être nécessaires pour votre piscine comprennent mais ne sont pas limités à :

1) Chlore en tablettes, en granulés ou liquide : Désinfecte l'eau de la piscine et neutralise le développement des algues.

2) Produits chimiques d'ajustement du pH : Ils sont utilisés pour corriger le niveau du pH et rendre l'eau plus ou moins acide.

3) Algicides : Ces produits chimiques sont formulés pour retirer les algues.

4) « Choc » (Super chlorinateur) : Élimine certains composants organiques et d'autres combinaisons pouvant affecter la clarté de l'eau. Afin d'obtenir des détails spécifiques sur l'utilisation des produits chimiques, veuillez consulter un détaillant local de fournitures de piscines et lui fournir le volume d'eau spécifique de votre piscine et, si souhaité, un échantillon de l'eau de votre piscine. Ceci lui permettra de vous renseigner correctement sur : 1) quels produits chimiques acheter, 2) quelles quantités de produits chimiques acheter et 3) comment utiliser des produits chimiques spécifiques en toute sécurité et efficacement.

2. Ne laissez jamais le chlore entrer en contact direct avec le liner de la piscine jusqu'à ce qu'il se soit complètement dissous. Cela signifie que le chlore en granulés ou en tablettes est d'abord dissous dans un seau d'eau avant de l'appliquer à l'eau de la piscine, de même, le chlore liquide est versé lentement et régulièrement dans l'eau de la piscine depuis de nombreux emplacements autour du périmètre de la piscine.

DANGER : N'ajoutez JAMAIS de l'eau à des produits chimiques. À LA PLACE, ajoutez toujours les produits chimiques à l'eau. De même, ne mélangez jamais des produits chimiques séparés ensemble, ajoutez plutôt les produits chimiques séparément dans la piscine et laissez-les circuler dans toute la piscine avant d'ajouter des types supplémentaires de produits chimiques.

3. Nous vous recommandons d'acheter un kit de test et de tester fréquemment l'eau de votre piscine pour vous assurer que l'équilibre de votre pH et les niveaux de chlore sont optimaux. Votre détaillant local de fournitures de piscines peut fournir des informations sur l'achat et l'utilisation du kit de test le plus adapté à vos besoins. **REMARQUE** : Les niveaux excessifs de chlore ou les niveaux faibles (acides) de pH peuvent endommager le liner de votre piscine, veuillez donc prendre des actions correctives dès que possible si le test indique l'un des deux états. Les tâches de retrait des débris plus importants de votre piscine et de maintenir l'intérieur du liner de votre piscine propre sont simplifiées par l'utilisation d'un Kit de maintenance de piscine Prompt Set, qui comprend une écumoire à feuilles et un aspirateur alimenté par le tuyau d'arrosage. Les Kits de maintenance sont inclus en tant qu'élément en supplément dans les systèmes de piscines de plus grandes dimensions, et peuvent également être achetés séparément en tant qu'accessoires. Veuillez contacter votre centre local de service après-vente si vous souhaitez des conseils sur les réparations pendant le cycle de vie du kit de piscine.

4. Le cas échéant, vérifiez la cartouche de votre pompe filtrante toutes les deux semaines (ou plus fréquemment pendant les périodes d'utilisation intensive) pour vérifier si elle doit être nettoyée ou remplacée. Si votre cartouche ne présente plus une couleur blanche, essayez de la nettoyer en la pulvérisant avec un jet d'eau fort à l'aide de votre robinet d'arrosage. Si votre cartouche ne peut pas être nettoyée de cette façon, elle doit être remplacée. Ne pas nettoyer et / ou remplacer fréquemment vos cartouches affecte l'efficacité de votre pompe filtrante et peut réduire sa durée de vie.

5 Si votre système de piscine comprend un couvercle, essayez de conserver votre piscine couverte à tout moment quand elle n'est pas utilisée. Ceci permet d'empêcher le vent et les autres éléments de déposer des saletés et des débris dans votre piscine, et empêche également l'eau de pluie en excès de trop remplir votre piscine.

6. Rappelez à votre famille et à vos amis de toujours arroser au tuyau ou de rincer les saletés ou l'huile solaire de leurs mains, leurs pieds et leur corps avant d'accéder à la piscine.

7. Il est nécessaire de contrôler les boulons et la quincaillerie de la piscine (par ex. tache de rouille) dès que possible.

8. Une fois que votre piscine a été remplie d'eau pour la saison, notez si votre piscine devient trop remplie en raison de l'eau de pluie ou d'un remplissage trop important accidentel. Si cela se produit, il est important de vidanger ou de vider l'excès d'eau dès que possible. S'il s'agit d'une piscine à anneau gonflable, le niveau d'eau ne doit jamais être supérieur au bord inférieur de l'anneau gonflable.

9.0 DÉPANNAGE

PROBLÈME	DESCRIPTION	CAUSE	REMÈDE
EAU COLORÉE	<ul style="list-style-type: none"> L'eau devient bleue, marron ou noire lorsqu'elle est traitée pour la première fois avec du chlore. 	<ul style="list-style-type: none"> Le chlore oxyde les éléments minéraux dans votre eau. Ceci se produit couramment avec de l'eau de plusieurs sources. 	<ul style="list-style-type: none"> Ajustez le pH au niveau recommandé. Faites fonctionner le filtre jusqu'à ce que l'eau soit claire. Nettoyez régulièrement la cartouche.
PARTICULES EN SUSPENSION DANS L'EAU	<ul style="list-style-type: none"> L'eau a un aspect « laiteux » or sombre. 	<ul style="list-style-type: none"> « Eau calcaire » en raison d'un pH élevé. La chloration n'est pas adéquate. Débris étrangers dans l'eau. Les baigneurs ne nettoient pas leurs pieds avant d'entrer dans la piscine. 	<ul style="list-style-type: none"> Ajustez le pH. Identifiez avec un détaillant de fournitures de piscines le traitement d'eau correct. Assurez le niveau approprié de chlore. Nettoyez ou remplacez votre filtre. Retirez la saleté en pulvérisant avec un tuyau à haute pression avant d'entrer.
FAIBLE NIVEAU D'EAU PERSISTANT	<ul style="list-style-type: none"> Il apparaît que la piscine perd de l'eau quotidiennement. 	<ul style="list-style-type: none"> Déchirure ou trou dans le liner de la piscine. Déchirure ou trou dans un tuyau de pompe filtrante. Les colliers de serrage du tuyau sont trop desserrés. Évaporation en raison des températures élevées en été. 	<ul style="list-style-type: none"> Localisez le dommage et réparez-le avec le kit de réparation inclus. Réparez ou remplacez les tuyaux. Serrez tous les colliers de serrage des tuyaux. Maintenez la piscine couverte quand elle n'est pas utilisée.
ALGUES	<ul style="list-style-type: none"> L'eau a une teinte verdâtre. Des taches vertes, marron ou noires apparaissent sur le liner de la piscine. Le fond de la piscine est glissant et/ou une odeur désagréable est présente. 	<ul style="list-style-type: none"> Des algues sont présentes. 	<ul style="list-style-type: none"> Appliquez le traitement « choc » (super chlorinateur). Vérifiez le pH et ajustez-le à un niveau approprié selon votre détaillant local de fournitures de piscines. Passez l'aspirateur ou frottez légèrement le liner de la piscine. Testez régulièrement l'eau pour maintenir des niveaux de chlore appropriés.
L'EAU DE LA PISCINE EST FROIDE	<ul style="list-style-type: none"> L'eau ne se réchauffe pas à une température de baignade confortable. 	<ul style="list-style-type: none"> La piscine a été installée dans une zone excessivement ombragée ou bordée d'arbres. La chaleur s'échappe de l'eau de la piscine. 	<ul style="list-style-type: none"> Déplacez la piscine dans un endroit plus ouvert où elle pourra bénéficier d'une exposition maximale à la lumière du soleil pendant les heures de pic de lumière du soleil. Maintenez votre piscine couverte quand elle n'est pas utilisée.

10.0 GARANTIE LIMITÉE

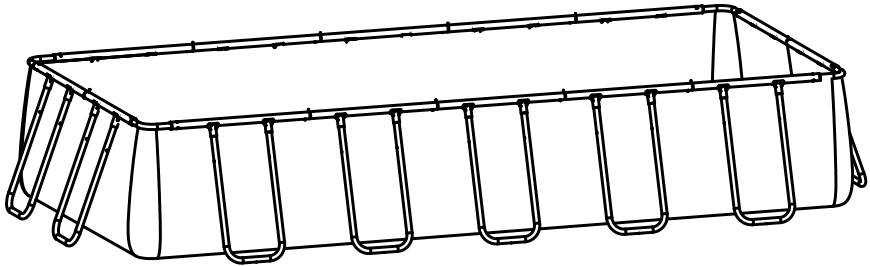
Nous garantissons tous les composants contenus dans cette piscine (à l'exception de l'unité de pompe filtrante) contre les défauts de matières et de fabrication dans le cadre d'une utilisation normale, pour une période de 90 jours à compter de la date d'achat pour le propriétaire initial uniquement.

Si certains des composants ont été remplacés, endommagés ou mal utilisés par le consommateur, la garantie correspondant à ces composants est invalidée. Dans cette situation, vous êtes tenu informé du coût des pièces de rechange et des frais de traitement.

Si un défaut de fabrication vérifiable est détecté au cours de la période appropriée, nous nous engageons à réparer ou à remplacer, à notre discrétion, tout produit sous garantie pourvu qu'une preuve d'achat adéquate ait été présentée.

Cette garantie limitée n'est pas valide si le produit est utilisé à des fins commerciales, ou si le dommage est causé par un accident, une catastrophe naturelle, une utilisation abusive du consommateur, une négligence ou des mauvais traitements, des actes de vandalisme, une mauvaise utilisation de produits chimiques, une exposition à des conditions météorologiques extrêmes ou une négligence au cours de la mise en place ou du démontage du produit.

Nous ne pouvons pas être tenus responsables des frais d'installation, de main d'oeuvre ou de transport, engagés en raison du remplacement des pièces défectueuses. Cette garantie limitée, en outre, ne couvre pas les modifications non autorisées du produit.



Contact:
Dutch Toys Group
Edisonstraat 83, 7006RB, Doetinchem , the Netherlands
P.O. Box 369, 7000AJ, Doetinchem, the Netherlands

info@exittoys.com
www.exittoys.com

EXIT is a registered trade mark of Dutch Toys Group



User manual
Gebrauchsanweisung
Gebruikshandleiding
Mode d'emploi

POOL LADDER

42.9IN
109 CM



Important safety rules: Before installing and using this product read, understand, follow all instructions carefully and keep it for future reference!

Wichtige sicherheitsregeln: Bevor Sie dieses Produkt installieren und verwenden lesen, verstehen und beachten Sie sorgfältig alle anweisungen, und für künftige bezugnahme aufbewahren!

Belangrijke veiligheidsvoorschriften: Voor installatie en gebruik, zorg dat u alle instructies aandachtig leest, begrijpt, naleeft en bewaar dit document voor latere inzage.

Règles importantes de sécurité: Lisez, comprenez et suivez attentivement toutes les instructions avant d'installer et d'utiliser ce produit! Conserver pour consultation ultérieure!



4

English



5

Deutsch



20

Nederlands



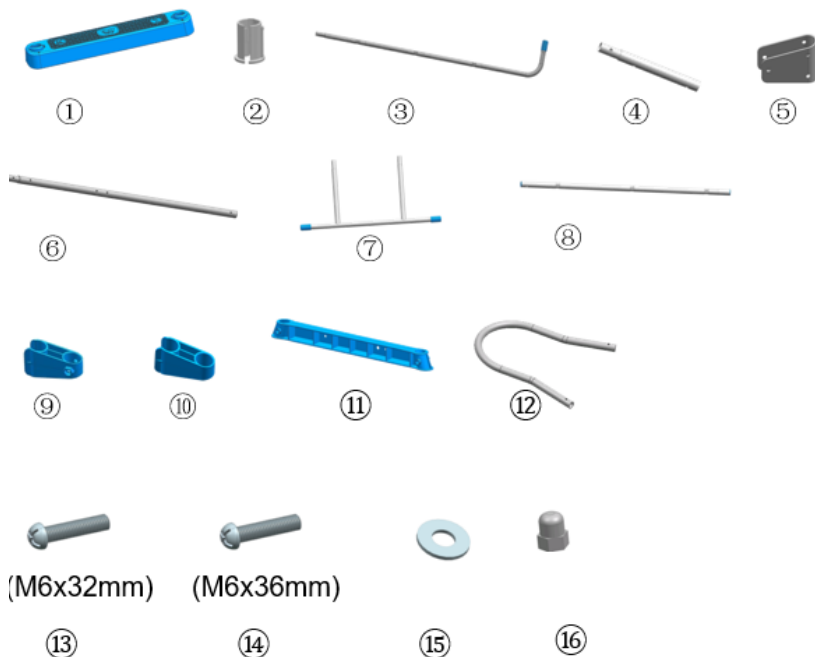
35

Français



50

1.0 Part reference



NOTE: Drawing for illustration purpose only. Actual product may vary. Not to scale. Before assembling your pool, layout and review the contents to become familiar with all the parts you will be using during the assembly:

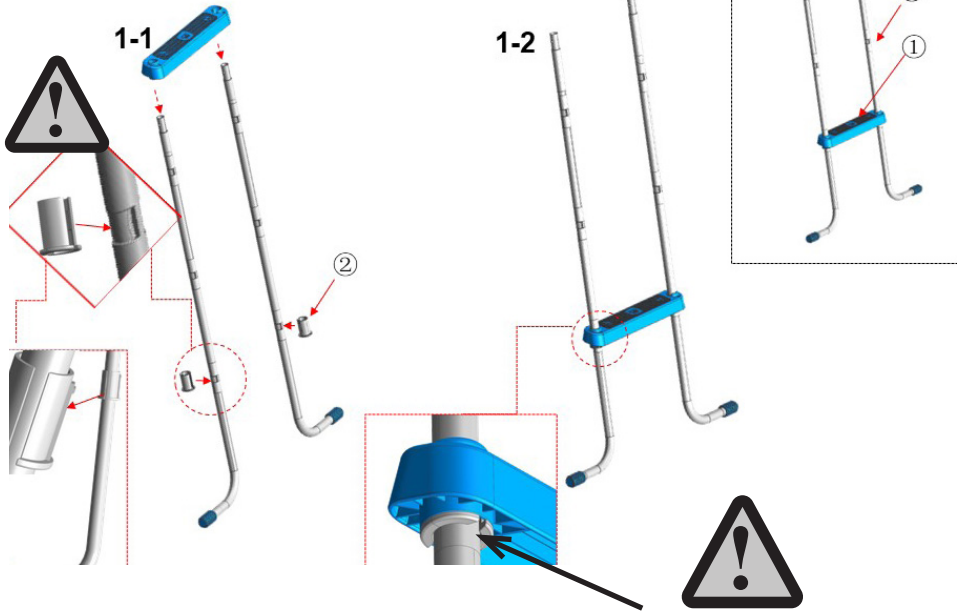
HINWEIS: Die Zeichnungen dienen nur der Illustration. Das tatsächliche Produkt könnte etwas anders aussehen. Nicht maßstabgetreu. Bevor Sie Ihren Pool zusammenbauen, breiten Sie den angelieferten Inhalt aus und überprüfen Sie ihn, um sich mit allen Teilen, die Sie während der Montage benötigen, vertraut zu machen:

OPMERKING: de tekening is uitsluitend bedoeld voor illustratiedoeleinden. Het werkelijke product kan verschillen. Niet volgens schaal. Voordat u het zwembad monteert, moet u de inhoud openleggen en controleren zodat u de onderdelen die u bij de montage zult gebruiken, leert kennen:

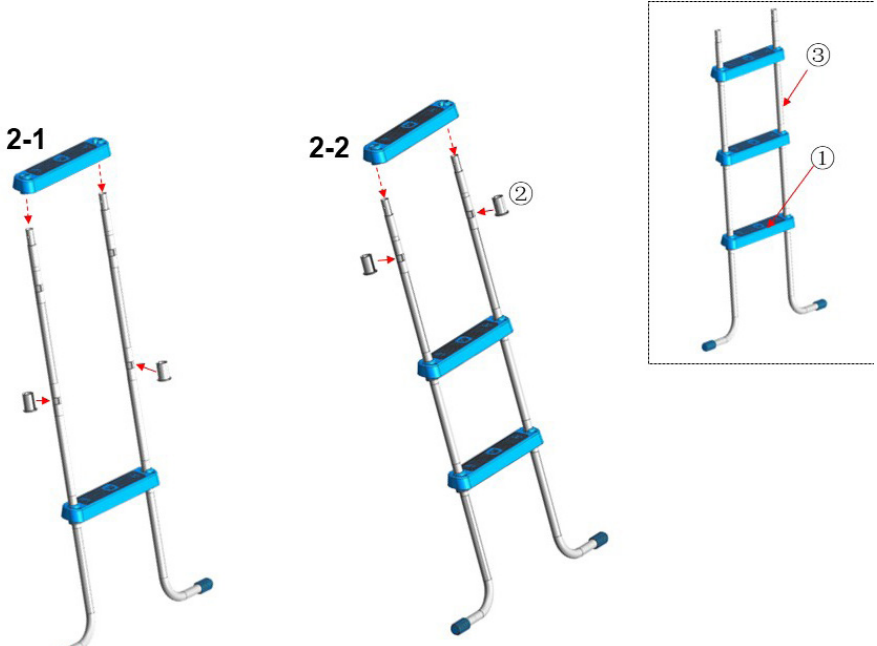
REMARQUE : Dessin à but d'illustration uniquement. Le produit réel peut varier. N'est pas à l'échelle. Avant de monter votre piscine, disposez et passez en revue le contenu pour vous familiariser avec toutes les pièces que vous utiliserez pendant le montage.

Part	Item no.	#
1	395238	6
2	395239	12
3	395240	2
4	395241	2
5	395242	2
6	395243	2
7	395244	1
8	395245	2
9	395246	2
10	395247	2
11	395248	1
12	395249	2
13	395250	8
14	395251	12
15	395252	40
16	395253	20

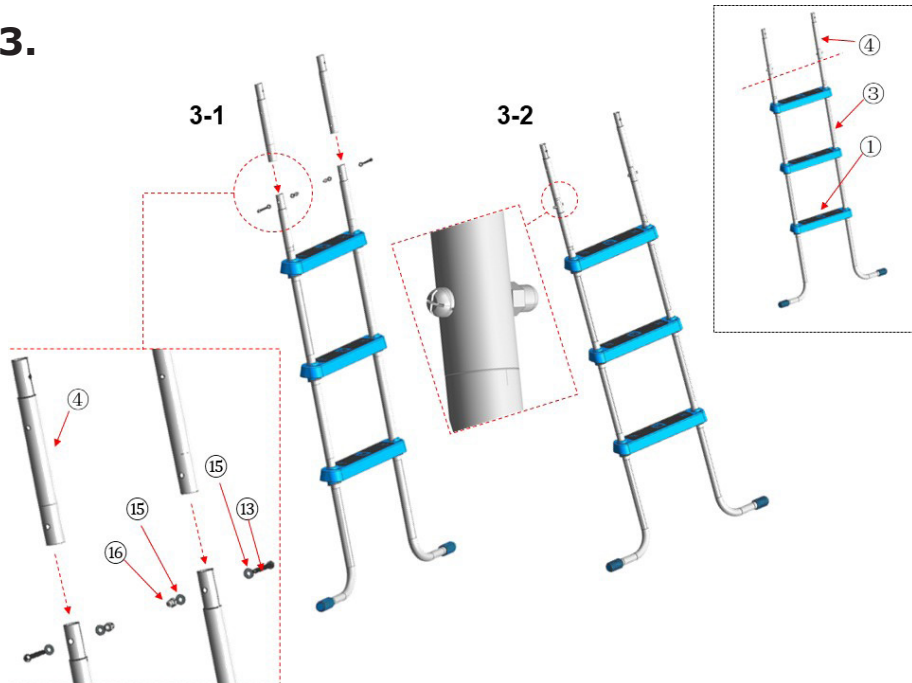
1.



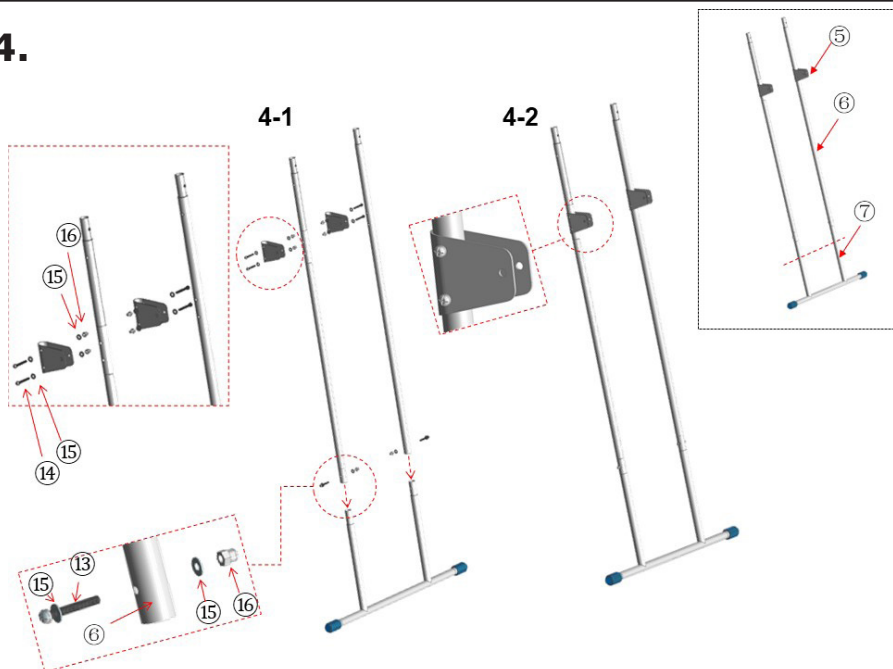
2.



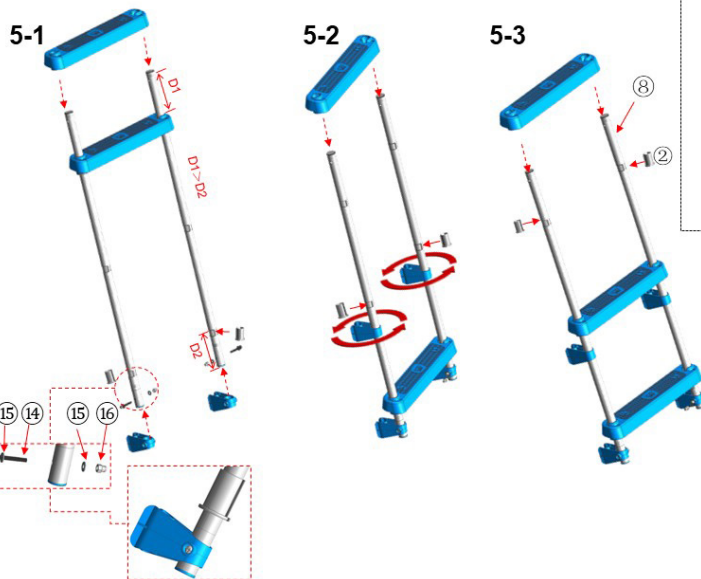
3.



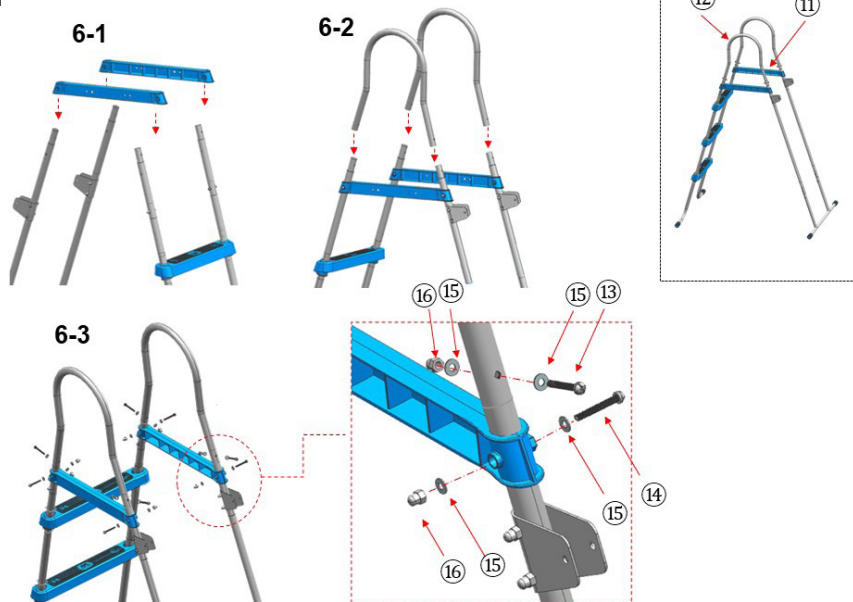
4.



5.

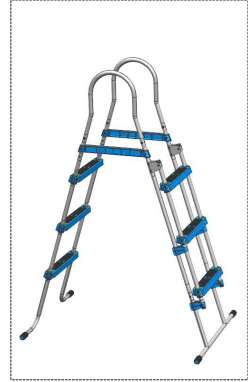
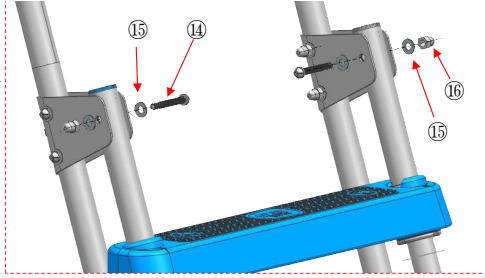
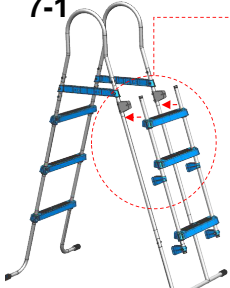


6.

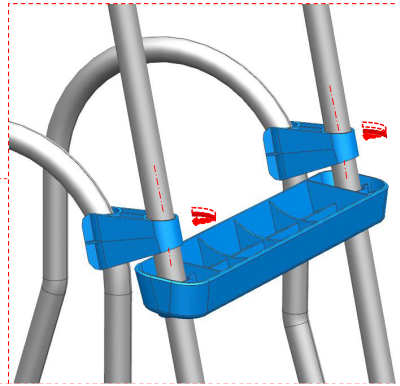
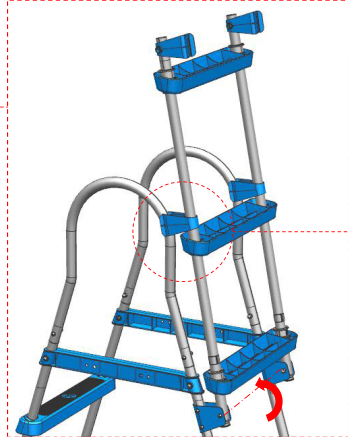
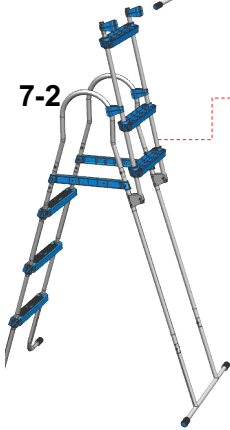


7.

7-1



7-2





2.0 Introduction

Congratulations on choosing a EXIT Toys Pool Ladder!

Have fun, be active and play outdoors.....

That's what keeps driving us to develop innovative, quality toys for cool kids and parents.

We do everything possible to develop safe products for children. As our products are classed as toys, we comply with the toughest consumer safety regulations. Before launching our products onto the market, we have independent tests carried out for certification. We also continuously test our production runs and periodically have independent tests performed again as a further check. Only products which live up to the highest EXIT Toys standard are marked with and recognized by the EXIT-brand.

"We want to thank you for your custom and your confidence in this product. We're sure your kids will have as much fun as we did during development. Being open-minded, we really appreciate all comments and ideas which will help us improve our products or develop new ones. You are invited to send your ideas to us at info@exittoys.com"

Please visit www.exittoys.com and discover more cool new products.

The EXIT Toys team

3.0 Guidelines for safe use



WARNING: Failure to follow these warnings may result in broken bones, entrapment, paralysis, drowning or other serious injuries.

- 1). Supervise children and those with disabilities at all times.
- 2). Always assist children when they use the ladder to avoid falls and/or serious injury.
- 3). Never dive or jump from this ladder.
- 4). Locate the ladder on a level, solid base.
- 5). One person on this ladder at a time.
- 6). Maximum load: 300 lbs (136 kg). Complies with EN16582 strength requirements.
- 7). Face the ladder at all times for entry/exit of pool.
- 8). Remove and secure ladder when pool is not occupied.
- 9). Do not swim under, through or behind ladder.
- 10). Check all nuts and bolts regularly to ensure ladder stays sturdy.
- 11). If swimming at night use artificial lighting to illuminate all safety signs, ladders, pool floor and walkways.
- 12). Assembly and disassembly by adults only.
- 13). This ladder is designed and manufactured for a specific pool wall height and/ or deck of the pool. Do not use with other pools.
- 14). Failure to follow the maintenance instructions and warnings may result in adverse health effects or injury, particularly to children.
- 15). Only use this ladder for the purposes described in this manual.

These product warnings, instructions and safety rules provided with the product represent some common risks of water recreation devices and do not cover all instances of risk and danger. Please use common sense and good judgment when enjoying any water activity.



4.0 Care and usage

- 1). Store ladder in safe and dry place.
- 2). Never store any materials on ladder.
- 3). Keep ladder clean and free of all foreign materials.
- 4). Do periodic maintenance on screws, when the ladder is not in use, put some anti-rust oil on them.
- 5). Do not use the ladder in the temperature below -5°C
- 6). Recommend to remove pool ladder from the swimming pool during the off season(winter months).
- 7). Disassemble all the components and dry thoroughly.
- 8). Store in a dry location out of children's reach

5.0 Limited warranty

We warrant all components contained in this Pool ladder against defects in materials and workmanship under normal use and service, for a period of 90 days from the date of purchase for the original owner only.

If any of the components have been consumer-replaced, damaged, or misused, the corresponding warranty on those components is invalidated. In this situation, you will be advised of the cost of replacement parts and processing instructions.

If a verifiable manufacturing defect is found during the relevant time period, we agree to replace at its option any product under warranty provided proper proof of purchase is presented.

This limited warranty is not valid if the product is used for commercial purposes, or if the damage is caused by an accident, consumer misuse, neglect or abuse, vandalism, improper use of chemicals, exposure to extreme weather conditions or negligence during product set up or disassembly.

We cannot be held responsible for the cost of installation, labor, or transportation expenses incurred due to the replacement of defective parts. This limited warranty, furthermore, does not cover any unauthorized alterations to the product.



2.0 Einführung

Glückwunsch zur Wahl des EXIT Toys Pool Ladder!

Amüsier dich, sei aktiv und spiele im Freien!

Für diesen Spaß entwickeln wir innovative und hochwertige Spielzeuge für coole Kids.

Wir tun alles in unserer Macht stehende, um sichere Produkte für Kinder zu entwickeln. Da unsere Produkte als Spielzeuge klassifiziert werden, erfüllen wir die strengsten Sicherheitsvorschriften. Bevor unsere Produkte auf dem Markt kommen, veranlassen wir die Durchführung von unabhängigen Prüfungen zur Zertifizierung. Außerdem kontrollieren wir selbst ständig unsere Produktionsabläufe und lassen diese als weitere Kontrolle regelmäßig durch unabhängige Stellen überprüfen. Nur Produkte, die den höchsten EXIT Toys Standards gerecht werden, werden mit dem EXIT Toys label gekennzeichnet.

Wir danken Ihnen für Ihr Vertrauen in dieses Produkt. Und wir sind sicher, dass Ihre Kinder genau viel Spaß haben werden wie wir ihn während der Entwicklung hatten. Da wir aufgeschlossen sind, schätzen wir wirklich all Ihre Kommentare und Ideen, die uns bei der Verbesserung unserer Produkte bzw. bei der Entwicklung neuer Spielzeuge helfen. Sie sind herzlich eingeladen, uns Ihre Ideen unter info@exittoys.com zu senden.

Besuchen Sie www.exittoys.com und entdecken Sie weitere tolle neue Produkte.

Das EXIT Toys Team

3.0 Sicherheitsanweisungen



WARNUNG: Die Nichtbeachtung dieser Warnungen kann zu Knochenbrüchen, Einklemmen, Lähmungen, Ertrinken oder anderen schweren Verletzungen führen.

Wichtige sicherheitvorschriften Lesen und befolgen Sie alle Anweisungen, bevor Sie das Produkt in Betrieb nehmen!

- 1). Lassen Sie Kinder und Menschen mit Behinderung nie unbeaufsichtigt.
- 2). Bitte unterstützen und beaufsichtigen Sie Kinder bei der Benützung der Leiter, um Stürze bzw. ernsthafte Verletzungen zu vermeiden!
- 3). Springen oder tauchen Sie nicht von dieser Leiter.
- 4). Stellen Sie die Leiter auf eine ebene, solide Standfläche.51).Die Leiter kann immer nur von einer Person benutzt werden.
- 5). Maximale Tragkraft: 136 kg. Entspricht den Belastungsanforderungen der Norm EN16582.
- 6). Halten Sie die Leiter für den Ein- und Ausstieg stets griffbereit.
- 7). Entfernen und verstauen Sie die Leiter, wenn der Pool nicht benützt wird.
- 8). Nicht unter die Sprossen der Leiter tauchen und nicht hinter die Leiter und nicht in den Pool springen. Es besteht bei seichtem Wasser große Gefahr.
- 9). Überprüfen Sie alle Schrauben und Bolzen um sicher zu stellen, dass die Leiter stabil ist und sicher steht.
- 10). Wenn Sie das Pool in der Nacht benutzen, sollten Sie Leitern, Stufen und Wege beleuchten.
- 11). Darf nur von Erwachsenen zusammen- und auseinander gebaut werden.
- 12). Diese Leiter wurde für eine bestimmte Poolwandhöhe gefertigt. Nicht mit anderen Pools verwenden.
- 13). Die Nichteinhaltung der Wartungsempfehlungen kann eine große Gefahr für die Gesundheit darstellen, besonders für Kinder.
- 14). Die Leiter darf nur für die Zwecke verwendet werden, die in dieser Anleitung angeführt werden.

4.0 Pflege und Gebrauch

- 1). Bewahren Sie die Treppe an einem sicheren und trockenen Ort auf.
- 2). Lagern Sie keine Materialien auf der Treppe.
- 3). Halten Sie die Treppe sauber und frei von Fremdkörpern.
- 4). Führen Sie regelmäßige Wartungsarbeiten an den Schrauben durch. Wenn die Leiter nicht verwendet wird, tragen Sie etwas Rostschutzöl auf.
- 5). Verwenden Sie die Leiter nicht bei Temperaturen unter -5 ° C . - Es wird empfohlen, die Poolleiter bei Nichtgebrauch (Wintermonate) aus dem Pool zu entfernen.
- 6). Alle Teile zerlegen und gut trocknen.
- 7). Bewahren Sie sie an einem trockenen Ort außerhalb der Reichweite von Kindern auf.

5.0 Limited warranty

Wir sichern einzig dem Originaleigentümer eine Garantie gegen Material- und Ausführungsfehlern für einen Zeitraum von 90 Tagen ab dem Kaufdatum bei normaler Verwendung und Wartung auf sämtliche Komponenten zu, die in diesem Set Pool enthalten sind (mit Ausnahme der Filterpumpe).

Falls Einzelteile vom Besitzer ausgetauscht, beschädigt oder zweckentfremdet wurden, erlischt die entsprechende Garantie für diese Einzelteile. In diesem Fall werden Ihnen die Kosten für die Ersatzteile und die weiteren Vorgehensweisen mitgeteilt.

Bei nachweislichen Herstellungsmängeln reparieren wir sämtliche Produkte innerhalb der Garantiezeit oder tauschen sie (nach unserem Ermessen) aus, sofern ein dazugehöriger Kaufbeleg vorgelegt wird.

Diese eingeschränkte Garantie gilt nicht, wenn das Produkt kommerziell eingesetzt wurde oder die Schäden aufgrund von Unfällen, höherer Gewalt, Missbrauch, Fahrlässigkeit, Vandalismus, falschem Einsatz von Chemikalien, extremer Witterung oder Fahrlässigkeit bei der Montage oder Demontage eintraten.

Wir haften nicht für Installationskosten, Arbeitsaufwand oder Transportkosten, die beim Austausch von defekten Teilen entstehen. Zudem gilt diese eingeschränkte Garantie nicht für unautorisierte Modifikationen am Produkt.



2.0 Introductie

Gefeliciteerd met de aanschaf van uw Pool Ladder van EXIT Toys!

Pret maken, actief leven en buiten spelen.....

Dat is onze motivatie om innovatief en kwalitatief speelgoed te ontwikkelen voor coole kinderen.

We doen er alles aan om producten te ontwikkelen die veilig zijn voor kinderen. Aangezien onze producten worden geclassificeerd als speelgoed, voldoen we aan de strengste normen op het vlak van consumentveiligheid. Voordat we een product op de markt brengen, laten we onafhankelijke tests uitvoeren voor de vereiste certificaten. We voeren ook voortdurend controles uit tijdens de productie en we laten regelmatig nieuwe onafhankelijke tests uitvoeren als extra controle. Enkel de producten die voldoen aan de strengste normen van EXIT Toys krijgen het EXIT Toys merk.

Wij stellen het zeer op prijs dat u bij ons klant bent en danken u voor het vertrouwen in dit product. We zijn er zeker van dat uw kinderen evenveel van dit product zullen genieten als wij tijdens de ontwikkeling ervan. Omdat we open staan voor uw mening, zijn uw opmerkingen en ideeën steeds welkom zodat we onze producten nog kunnen verbeteren en nieuwe kunnen ontwikkelen. Neem daarom gerust contact op via info@exittoys.com.

Bezoek de wereld van EXIT Toys op www.exittoys.com en ontdek ook onze andere stoere en nieuwe buitenspeel producten.

Het team van EXIT Toys

3.0 Belangrijke veiligheidvoorschriften



WAARSCHUWING: Het negeren van deze waarschuwing kan resulteren in gebroken botten, verknelling, bewusteloosheid, verdrinking of andere ongevallen.

- 1). Houd ten allen tijden toezicht op kinderen en gehandicapten.
- 2). Help kinderen altijd als ze de ladder gebruiken om valpartijen en/of ernstige verwondingen te voorkomen.
- 3). Onder geen omstandigheden mag er van deze trap gesprongen of gedoken worden.
- 4). Plaats de trap op een egale, stevige ondergrond.
- 5). Één persoon op de trap per keer.
- 6). Maximaal draaggewicht: 136 kg. Voldoet aan de EN16582 sterkte eisen.
- 7). Plaats de trap ten allen tijden enkel voor het betreden van het zwembad.
- 8). Verplaats of berg de trap op wanneer het zwembad niet in gebruik is.
- 9). Zwem niet onder, door of achter de trap.
- 10). Controleer alle schroeven en bouten regelmatig om er zeker van te zijn dat de trap ten allen tijden stevig is.
- 11). Als u zwemt na zonsondergang zorgt u dan voor verlichting die alle veiligheidsaanwijzingen, de trap, de bodem van het bad en de loopbaden duidelijk zichtbaar maken.
- 12). Montage en demontage enkel door volwassenen laten verrichten.
- 13). Deze ladder is ontworpen en gefabriceerd voor een specifieke zijhoogte van een zwembad en/of dek van het zwembad. Niet gebruiken met andere zwembaden.
- 14). Het niet opvolgen van de instructies in de gebruiksaanwijzing kan resulteren in ongelukken, specifiek voor kinderen.
- 15). Gebruik deze trap enkel voor doeleinden beschreven in deze gebruiksaanwijzing.

De waarschuwingen, instructies en veiligheidsaanwijzingen, die bij dit product worden bijgeleverd, wijzen slechts op algemene gevaren, die met water recreatie verband houden en nooit op alle specifieke risico's en gevaren. Gebruik uw gezond verstand en helder oordeel bij alle vormen van activiteiten in het water. Lees, begrijp en volg dan ook alle aanwijzingen nauwkeurig op vóór installatie en gebruik.

4.0 Verzorging en gebruik

- 1). Bewaar de trap op een veilige en droge plaats.
- 2). Bewaar geen materialen op de trap.
- 3). Houd de trap schoon en vrij van vreemde materialen.
- 4). Voer periodiek onderhoud uit op de schroeven, wanneer de ladder niet in gebruik is, plaatst u wat antiroestolie erop.
- 5). Gebruik de ladder niet bij een temperatuur van minder -5°C - Het is aanbevolen de zwembadladder uit het zwembad te nemen als u het niet gebruikt (wintermaanden).
- 6). Demonteer alle onderdelen en droog ze goed af.
- 7). Bewaar ze op een droge locatie buiten het bereik van kinderen.

5.0 Beperkte Garantie

We bieden voor alle componenten van deze Pool Ladder een garantie tegen defecten in materialen en werkuitvoering, gedurende een periode van 90 dagen vanaf de aankoopdatum, bij normaal gebruik en service, alleen voor de originele koper.

Zijn er onderdelen door de gebruiker vervangen, beschadigd of onjuist gebruikt, dan is de garantie op die onderdelen ongeldig. In dat geval zullen we u informeren over de prijs van vervangingsonderdelen en de verdere instructies.

Als gedurende de relevante tijdsperiode een verifieerbare fabrieksfout wordt gevonden, gaan wij als optie van de garantie voor een product ermee akkoord om het te repareren of te vervangen, mits het juiste aankoopbewijs wordt getoond.

Deze beperkte garantie is niet geldig als het product voor commerciële doeleinden wordt gebruikt, of bij schade door een ongeluk, natuurramp, verkeerd gebruik, verwaarlozing of misbruik, vandalisme, onjuist gebruik van chemicaliën, blootstelling aan extreme weersomstandigheden of verwaarlozing tijdens het instellen of demonteren van het product.

Wij kunnen niet aansprakelijk worden gesteld voor de kosten van installatie, werkzaamheden of transportkosten die zich door vervanging van defecte onderdelen voordoen. Verder dekt deze beperkte garantie geen onbevoegde wijzigingen die aan het product zelf worden uitgevoerd.

2.0 Introduction

Vous venez de faire l'acquisition du EXIT Pool Ladder; nous vous en félicitons!

S'amuser, être actif et jouer dehors.....

Nous faisons tout notre possible pour développer des produits sûr pour les enfants. Étant donné que nos produits sont classés comme étant des jouets, nous nous conformons aux réglementations de sécurité des consommateurs les plus rigoureuses. Avant de commercialiser nos produits, nous faisons réaliser des tsts indépendants en vue d'obtenir la certification. Nous testons également en continu nos cycles de production et faisons régulièrement réaliser des tests indépendants à titre de contrôle supplémentaire. Seuls les produits qui se montrent à la hauteur de la norme EXIT Toys la plus rigoureuse sont porteurs de l'étiquette EXIT Toys.

Nous souhaitons vous remercier pour l'achat de ce produit et pour votre fidélité. Nous sommes sûrs que vos enfants s'amuseront autant que nous nous sommes amusés durant la phase de développement. Nous sommes très ouverts et preneurs de tous les commentaires et idées qui pourraient nous aider à améliorer nos produits et à en développer de nouveaux. Vous êtes invités à nous envoyer vos idées à info@exittoys.com.

Découvrez le monde de EXIT Toys, ses produits de divertissement branchés et ses nouveautés sur www.exittoys.com.

L'équipe EXIT Toys.

3.0 Consignes de sécurité importantes



AVERTISSEMENT: le non-respect de ces avertissements peut entraîner des fractures, un piégeage, une paralysie, une noyade ou d'autres blessures graves.

- 1). Surveillez les enfants et les personnes handicapées à tous les instants.
- 2). Pour éviter les chutes et les blessures, aidez toujours les enfants quand ils utilisent l'échelle.
- 3). Ne plongez ou sautez jamais depuis l'échelle.
- 4). Installez l'échelle sur un terrain solide et de niveau.
- 5). Une seule personne à la fois sur l'échelle.
- 6). Charge maximum : 300 lbs (136 kg). Conforme aux exigences de charge de la EN16582.
- 7). Soyez face à l'échelle à tout moment pour entrer ou sortir de la piscine.
- 8). Enlevez et empêchez l'utilisation de l'échelle lorsque la piscine n'est pas occupée.
- 9). Ne nagez pas dessous, entre ou derrière l'échelle.
- 10). Vérifiez régulièrement l'état des écrous et des boulons pour vous assurez que l'échelle est en bon état.
- 11). Si vous vous baignez de nuit, utilisez une lumière artificielle pour éclairer tous les sigles de sécurité, l'échelle, le fond et les chemins d'accès de la piscine.
- 12). Le montage et le démontage de ce produit doivent être réalisés par un adulte.
- 13). Cette échelle est conçue et fabriquée pour une hauteur spécifique de la paroi d'une piscine et/ou pour le deck de la piscine. Ne pas utiliser avec d'autres piscines.
- 14). Le non-respect des consignes d'entretien peut engendrer des risques graves pour la santé notamment celle des enfants.
- 15). Utilisez seulement cette échelle aux fins décrites dans ce manuel d'utilisation.

4.0 Entretien et utilisation

- 1). Ranger l'échelle en endroit sûr et sec.
- 2). Ne ranger aucun autre matériel avec l'échelle.
- 3). Préserver l'échelle de tout autre matériau.
- 4). Pour la maintenance périodique des vis, lorsque l'échelle n'est
- 5). pas en cours d'utilisation, lubrifier les vis avec un peu d'anti-rouille.
- 6). Ne pas utiliser l'échelle lorsque la température est inférieure à -5°C
- 7). Il est conseillé de retirer l'échelle de la piscine hors saison (en hiver). Démontez tous les composants et séchez-les soigneusement. Rangez dans un lieu sec hors de portée des enfants.

5.0 Entretien et utilisation

Nous garantissons tous les composants de cette échelle de piscine contre les défauts de matériaux et de fabrication dans des conditions normales d'utilisation pendant une période de 90 jours à compter de la date d'achat uniquement au propriétaire d'origine.

Si certains composants sont remplacés, endommagés ou mal utilisés par le consommateur, la garantie sur ces composants sera annulée. Dans cette situation, vous serez tenu informé du coût des pièces détachées et des frais de manutention.

Si un défaut de fabrication vérifiable est découvert dans le délai approprié, nous réparerons ou remplacerons tout produit sous garantie à notre seule discrétion, à condition qu'une preuve d'achat adéquate soit fournie.

Cette garantie limitée n'est pas valide si le produit est utilisé à des fins commerciales, ou si les dommages sont causés par un accident, une catastrophe naturelle, un abus de consommateur, une négligence ou un abus extrême, du vandalisme, une utilisation inappropriée de l'exposition, une utilisation abusive fautive ou basée sur le Web, une mauvaise utilisation, une mauvaise utilisation. -of-the-zeighedwa-balingwa mis en place pour décomposer le produit.

Nous ne pouvons être tenus responsables des frais d'installation, de main-d'œuvre ou de transport encourus à la suite du remplacement des pièces défectueuses. De plus, cette garantie limitée ne couvre pas les modifications non autorisées du produit.



Contact:
Dutch Toys Group
Edisonstraat 83, 7006RB, Doetinchem , the Netherlands
P.O. Box 369, 7000AJ, Doetinchem, the Netherlands

info@exittoys.com
www.exittoys.com

EXIT is a registered trade mark of Dutch Toys Group

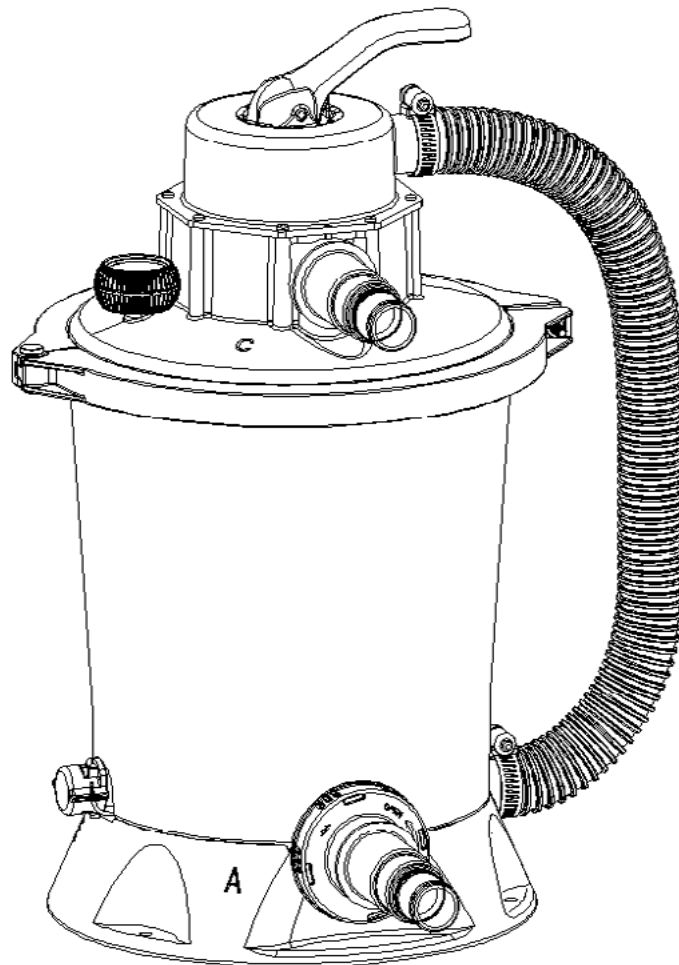
SFP7-16-NL



Jilong[®]

HANDLEIDING ZANDFILTERPOMP

290729XX / 290730XX



Other languages

DE: page 10

UK: page 19

Productspecificaties

Model	290729XX	290730XX
Maximale werkdruk	<0.2bar (3psi)	< 0.3bar(4.5psi)
Spanning	12 V	
Effectief filtratiegebied	0.058m ² (0.62ft ²)	0.058m ² (0.62ft ²)
Maximale stroomsnelheid water	800 gallons/uur (3028/uur)	1000 gallons/uur (3785/uur)
Maximale watertemperatuur	35°C	
Aanbevolen filtermedium	20# kwartszand of glaszand, met deeltjesgrootte van 0,45-0,85 mm, (d.w.z. 0,018-0,033 inch), en waarvan de algehele deeltjesuniformiteitscoëfficiënt kleiner is dan 1,75.	
Aanbevolen aantal media	Kwartszand of glaszand, 10 kg	

Aandachtig lezen en bewaren om later te raadplegen

Veiligheidsinstructies

Volg altijd de standaard veiligheidsmaatregelen voor installatie en gebruik van deze elektrische apparatuur, inclusief

WAARSCHUWING: Dit toestel kan worden gebruikt door kinderen vanaf 8 jaar en personen met een verminderde lichamelijke, zintuiglijke of mentale vermogens, of met gebrek aan ervaring en kennis, als ze onder toezicht staan of de nodige instructies betreffende het veilige gebruik van het apparaat hebben ontvangen en als ze de gevaren begrijpen. Kinderen mogen niet met het toestel spelen. De reiniging en het gebruikersonderhoud mag niet gebeuren door kinderen zonder toezicht.

WAARSCHUWING: Kinderen mogen niet zonder toezicht bij het apparaat spelen

WAARSCHUWING: Het product moet weg staan van het product, zodat kinderen er niet op kunnen klimmen.

WAARSCHUWING: Er bestaat een risico op elektrische schok. Dit product mag alleen worden aangesloten op een stopcontact met beschermende aarding. Als het stopcontact niet geaard is, dient u contact op te nemen met een bevoegde elektricien voor installatie. Dit stopcontact heeft een maximale lekstroom van 30mA. Gebruik geen verplaatsbaar stopcontact.

WAARSCHUWING: de pomp moet van stroom worden voorzien via een differentieelschakelaar (RCD) met een nominale restwerkstroom die niet hoger is dan 30 mA.

WAARSCHUWING: Om dit product te verwijderen voor reiniging, onderhoud of aanpassing, trekt u de voedingsstekker uit het stopcontact.

WAARSCHUWING: Begraaf de draad niet in de bodem. Het moet op een veilige locatie worden gelegd waar het niet kan worden beschadigd door de grasmaaier en andere apparatuur.

WAARSCHUWING: De voedingskabel mag niet worden vervangen. Als de kabel

beschadigd is, moet het apparaat worden verwijderd.

WAARSCHUWING: Om het risico op een elektrische schok te reduceren, moet u geen verlengsnoer, timer, stekkeradapter of omvormer aansluiten op het filterhuis. Zorg voor een vast stopcontact.

WAARSCHUWING: Als u op een plaats met water staat of als uw handen nat zijn, moet u de stekker van de draad niet uit het stopcontact halen.

WAARSCHUWING: Nadat dit product is geïnstalleerd, moet de installatiepositie van de stekker zichtbaar zijn voor de gebruiker en moet gemakkelijk toegankelijk zijn.

WAARSCHUWING: Als het product in gebruik is, mag u dit niet starten.

WAARSCHUWING: Alleen volwassenen mogen dit product installeren en verwijderen.

WAARSCHUWING: Dit product kan alleen worden gebruikt met een verplaatsbaar product. Niet gebruiken in combinatie met een vast product. Het verplaatsbare product kan worden verwijderd voor wateropslag en kan opnieuw worden geïnstalleerd op de oorspronkelijke positie.

WAARSCHUWING: Voor het vermijden van schade aan het product en het risico op letsel, moet u het product uitschakelen voorafgaand aan het draaien van de stand van de stuurklep.

WAARSCHUWING: Om het risico op absorptie te verminderen, mag u dit niet in het product stoppen als de filter los, beschadigd, vernietigd of verloren is. In de bovenstaande omstandigheden, moet u de filterafdekking onmiddellijk vervangen.

WAARSCHUWING: Niet dicht bij de filterafdekking spelen of zwemmen. Uw lichaam of haar kan worden ingezogen met permanent lichamelijk letsel of verdrinken als gevolg.

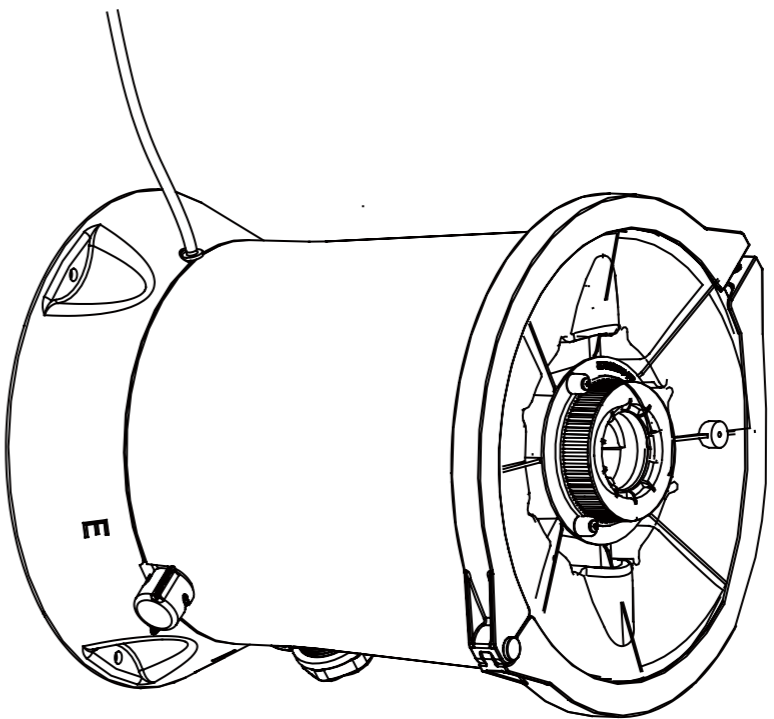
WAARSCHUWING: Wanneer de op de drukmeter van het huis weergegeven waarde een vooraf bepaalde maximumwaarde overschrijdt, moet u dit product niet starten.

WAARSCHUWING: Er bestaat een risico op drukt. Elke verkeerde installatie van de cilinderkop kan schade veroorzaken, wat kan leiden tot ernstige letsels, overlijden of materiële schade.

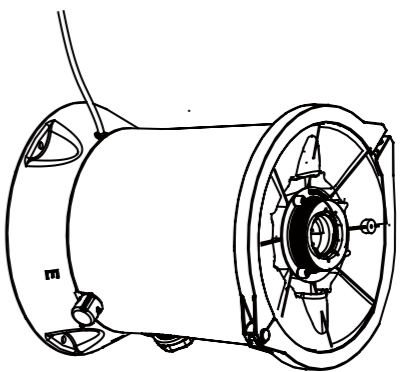
NB: dit product is beperkt tot de doeleinden als omschreven in de specificatie.

WAARSCHUWING: De maximale totale kop: 1,5m.

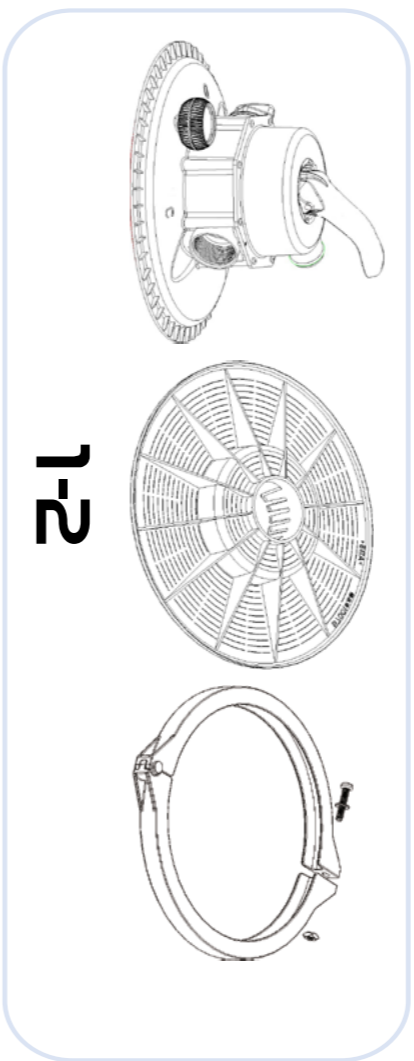
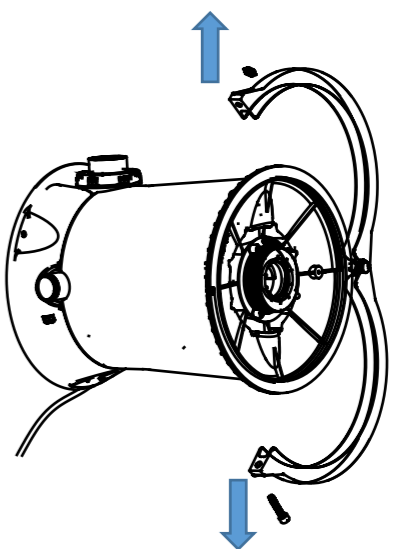
1



1-1-1



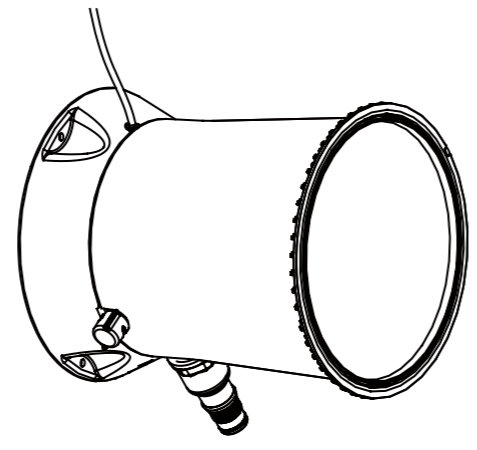
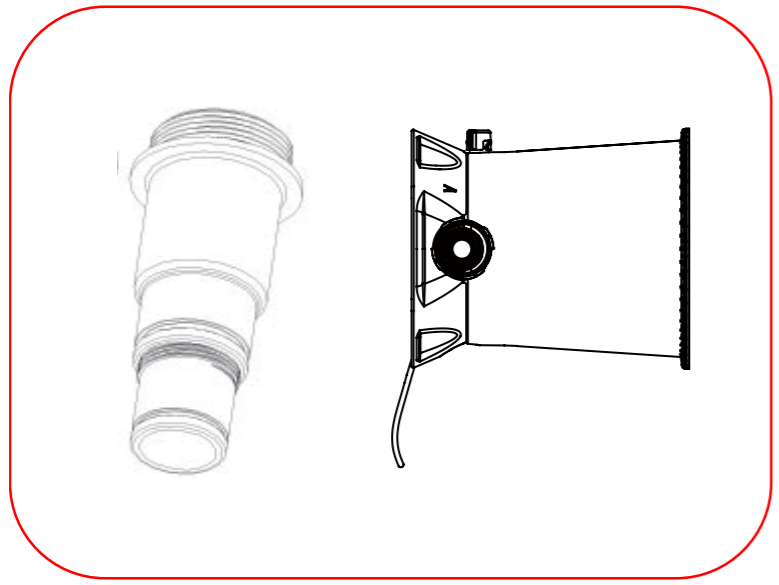
1-1-2



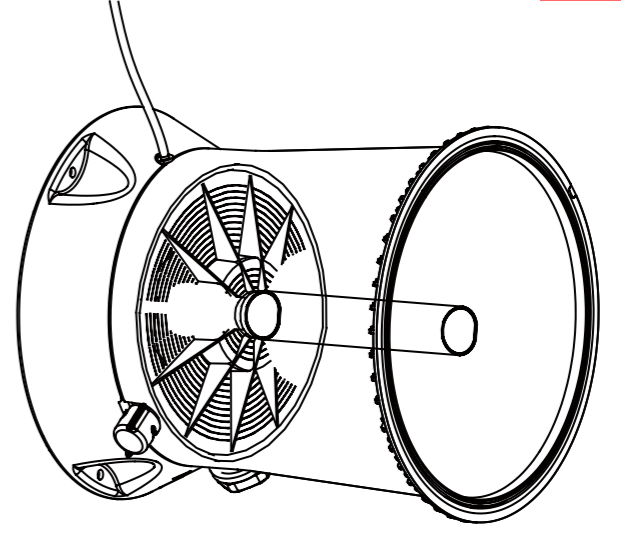
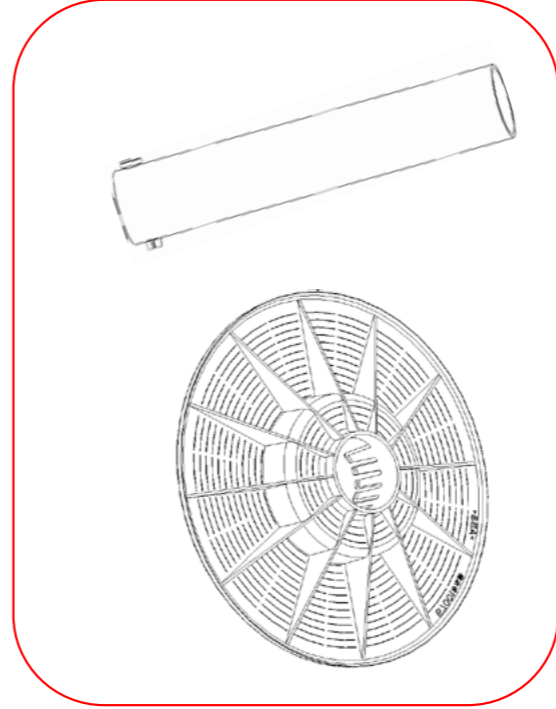
1-2

<p>395053</p>	<p>395059</p>	<p>395061</p>	<p>395069</p>
<p>395072</p>	<p>395064</p>	<p>395066 Ø38mm x2</p>	<p>395067 Ø32mm x4</p>
<p>395068</p>	<p>395063 Ø32/Ø38mm x2</p>	<p>395065 Ø38mm</p>	<p>JL290369 Ø32mm x2</p>

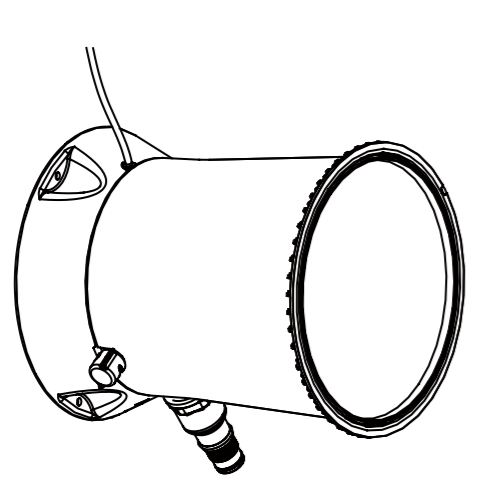
2



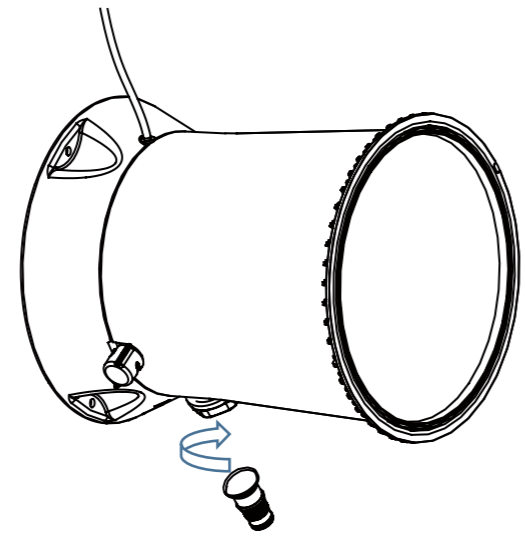
3



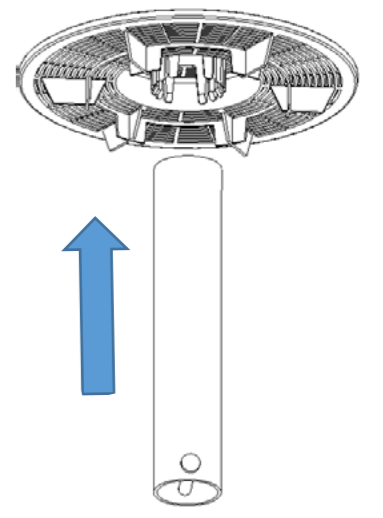
2-2



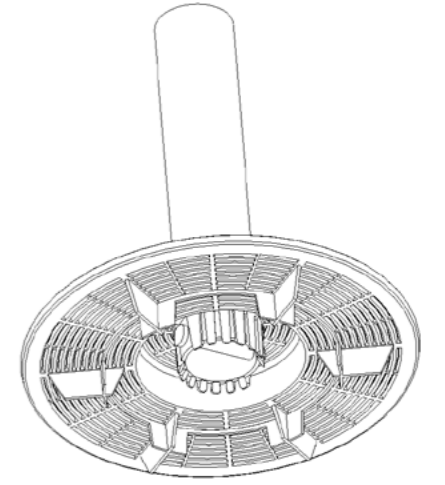
2-1



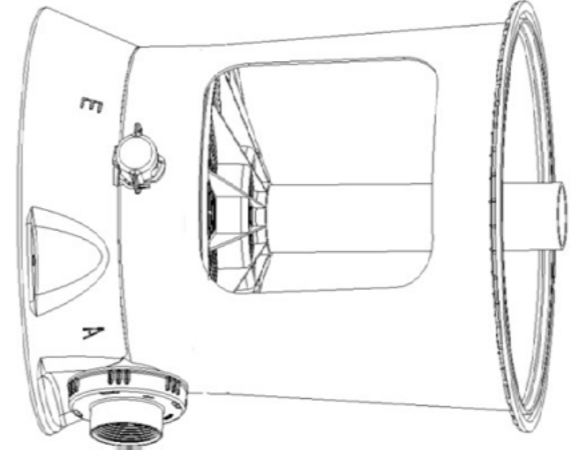
3-1-1

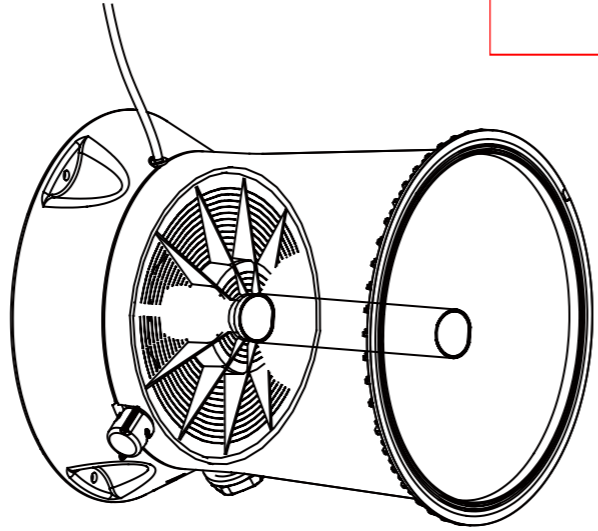
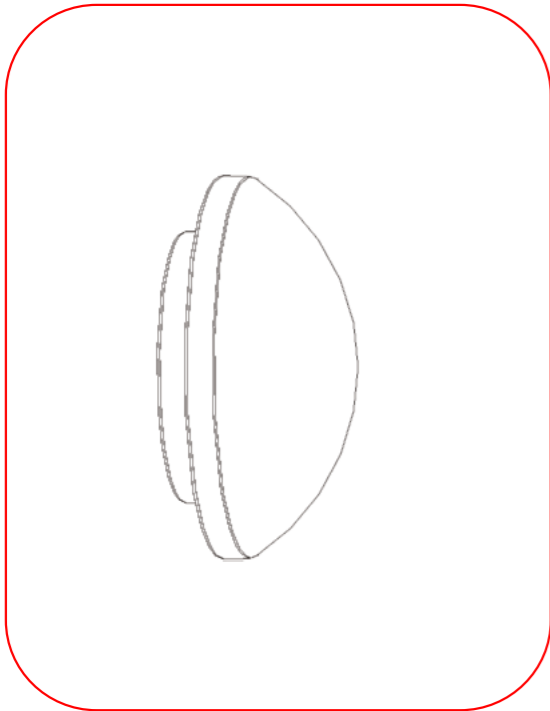


3-1-2



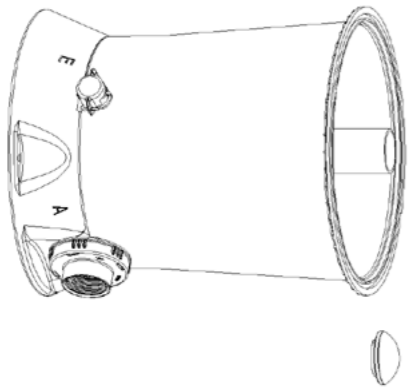
3-2



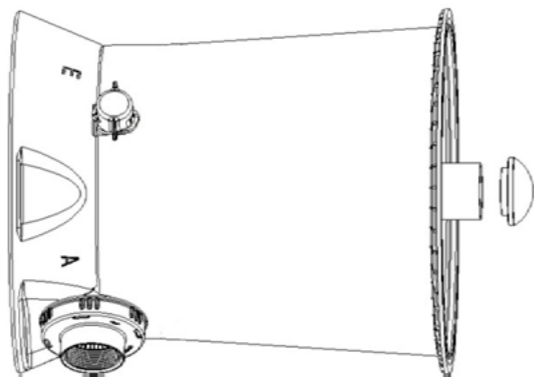


4

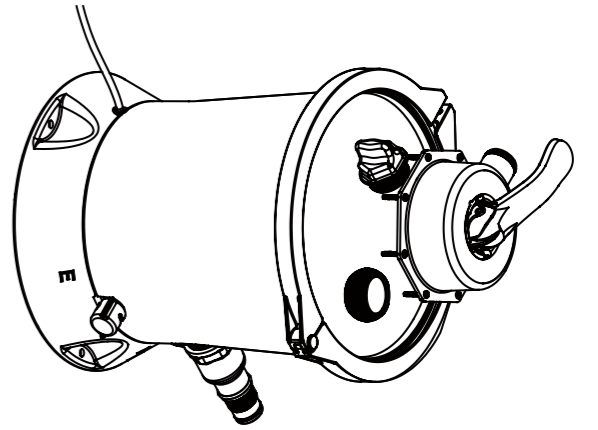
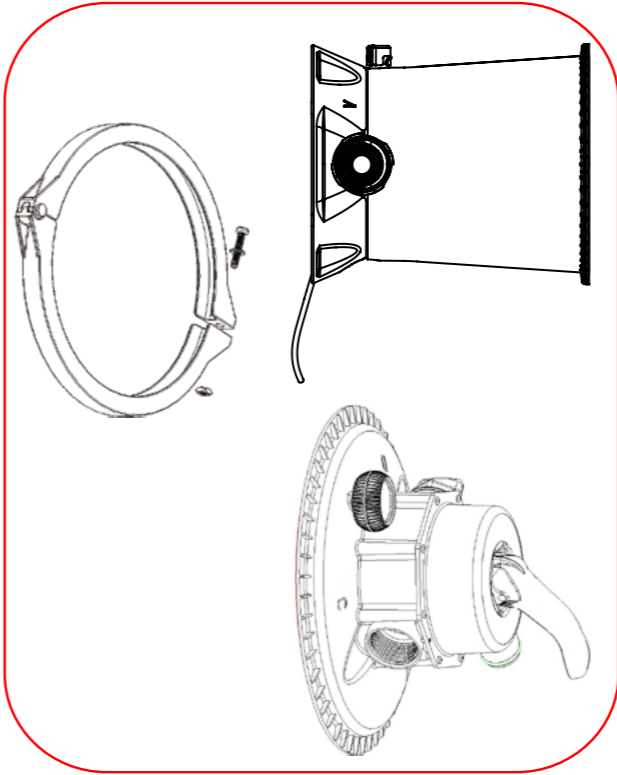
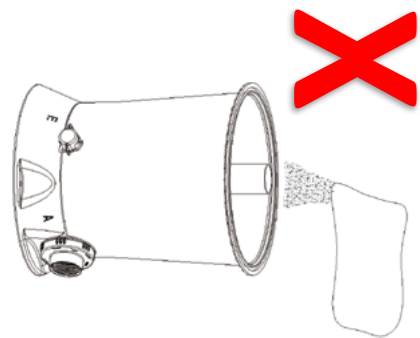
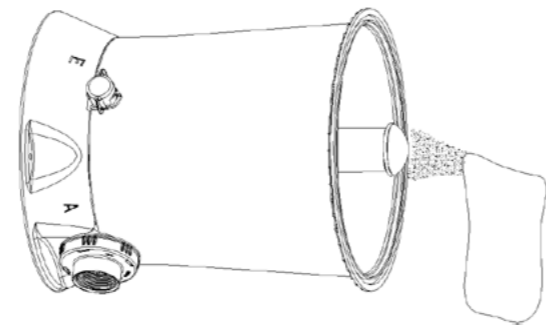
4-1-3



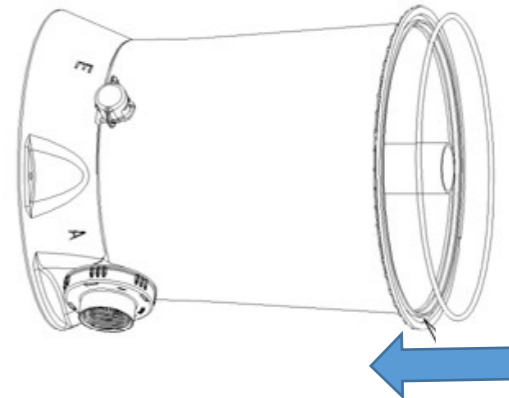
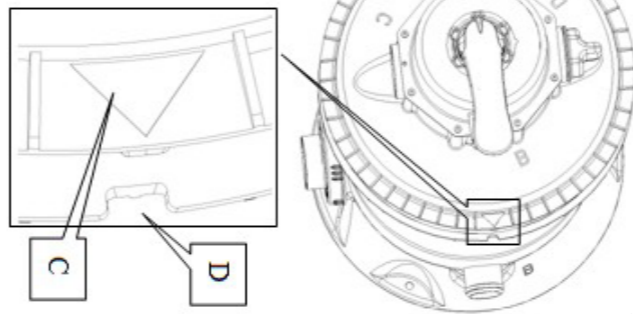
4-1-1



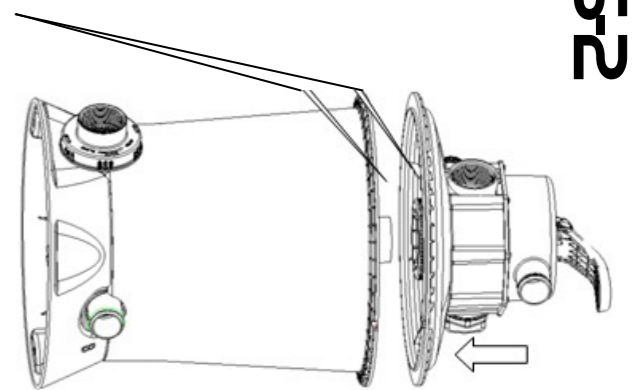
4-1-2



5

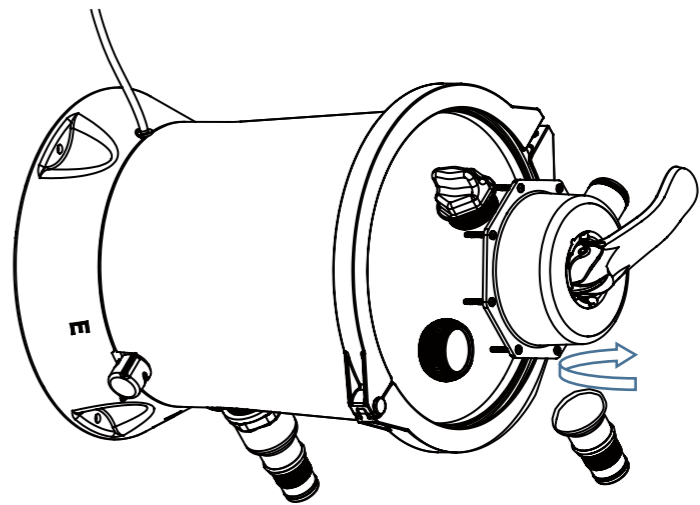
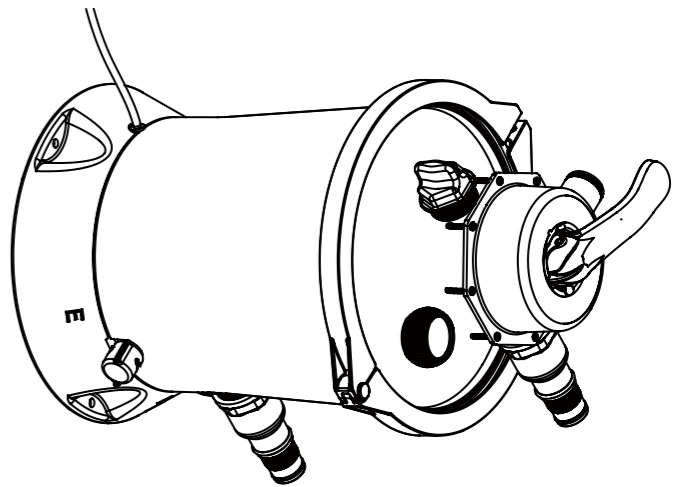


5-1

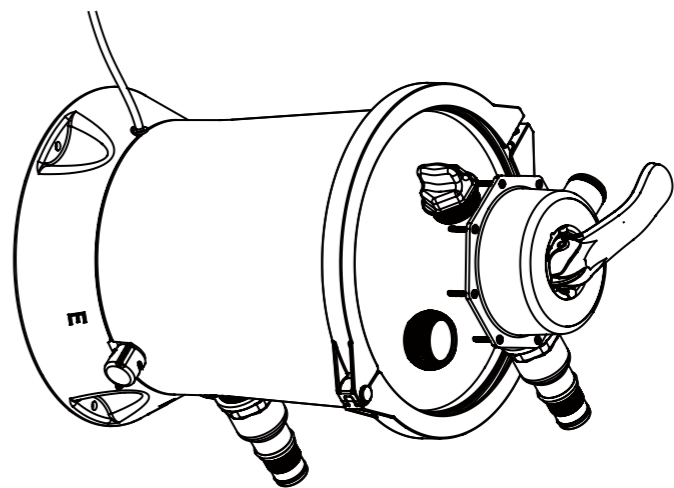


5-2

7

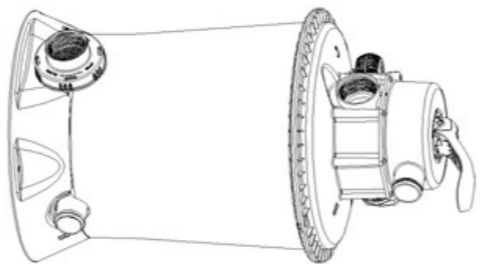
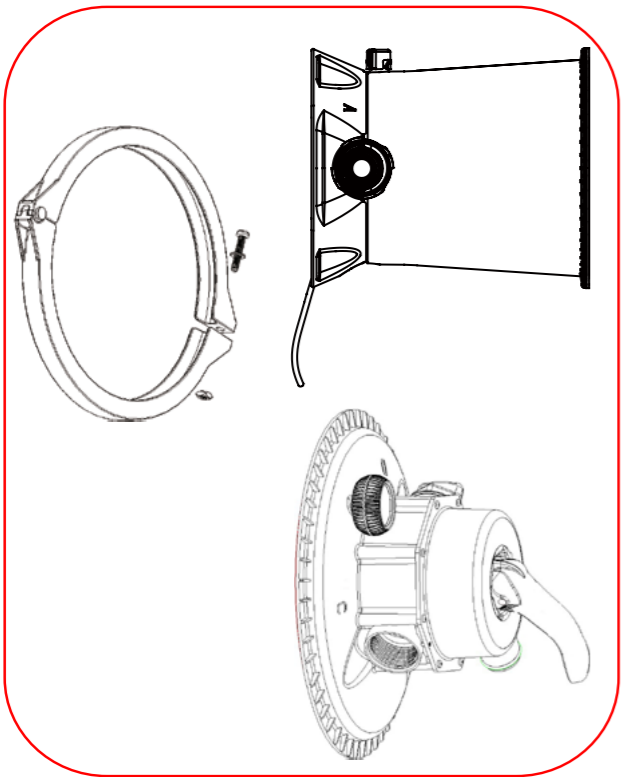
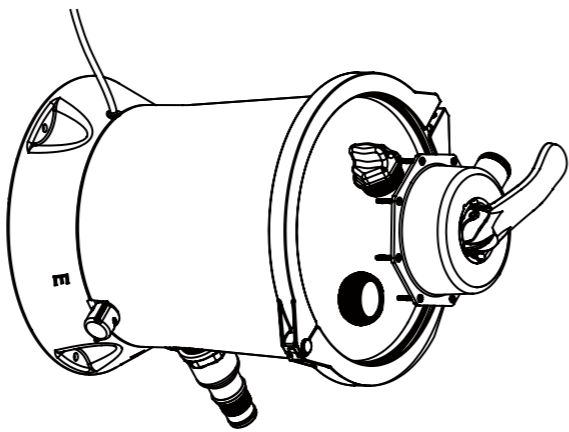


7-1

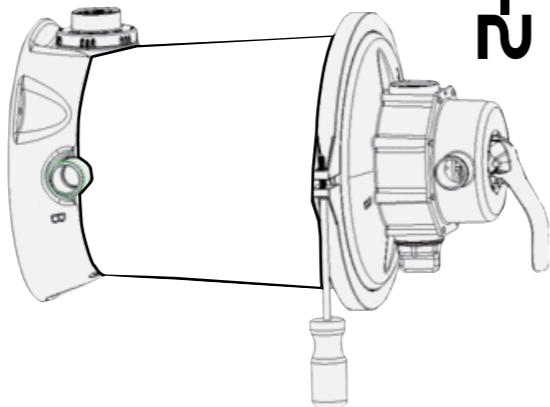


7-2

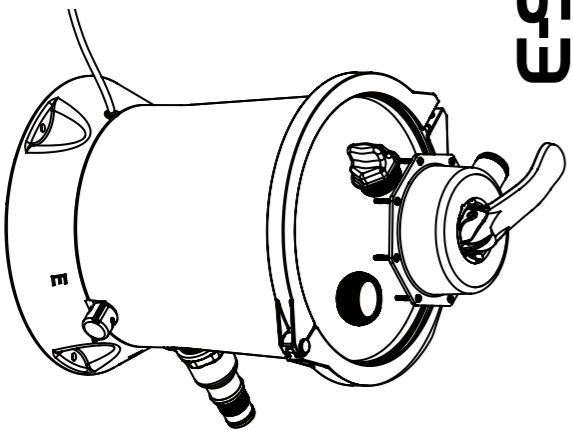
6



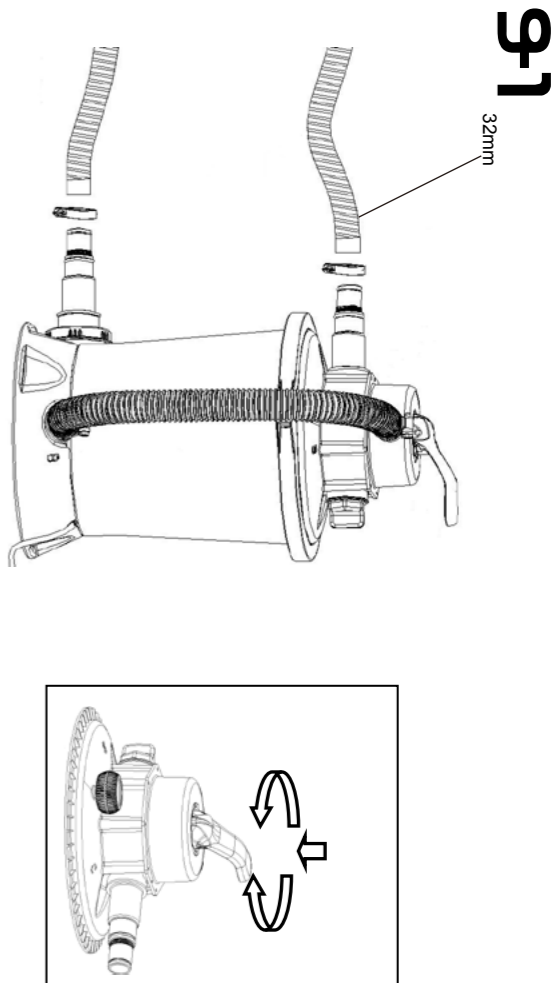
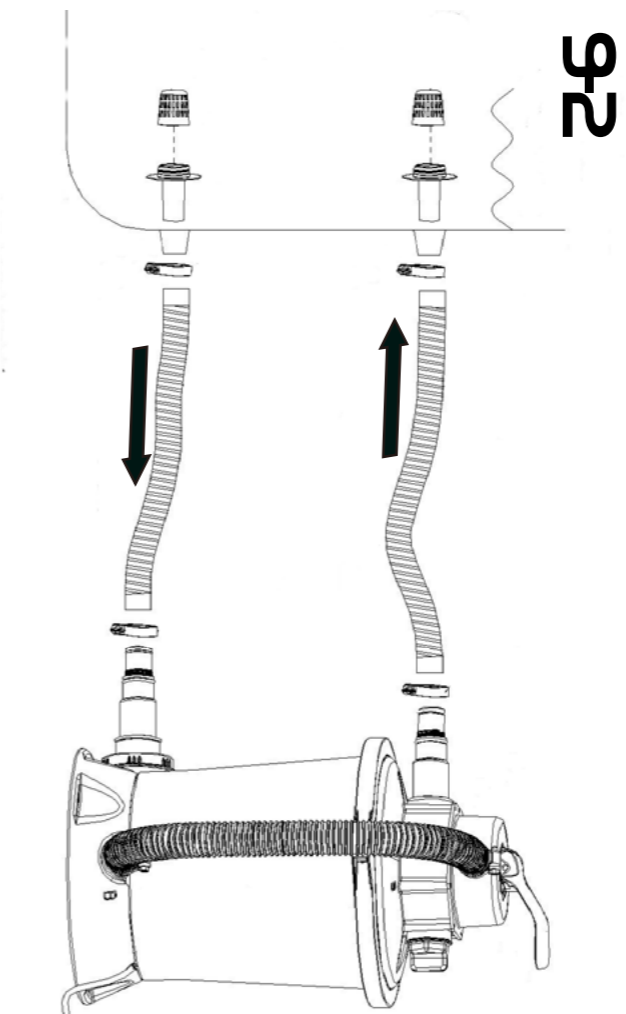
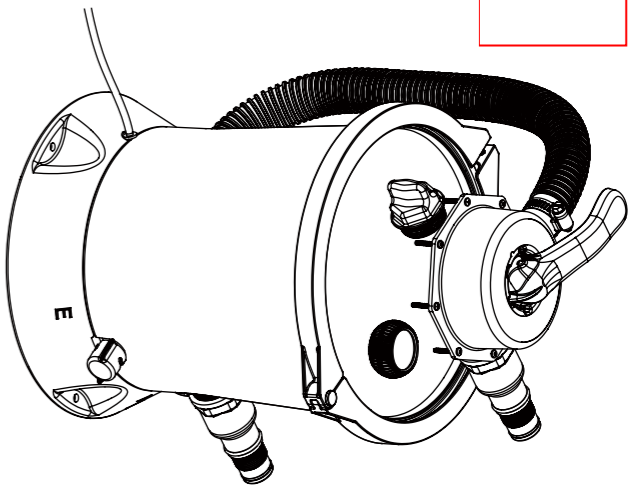
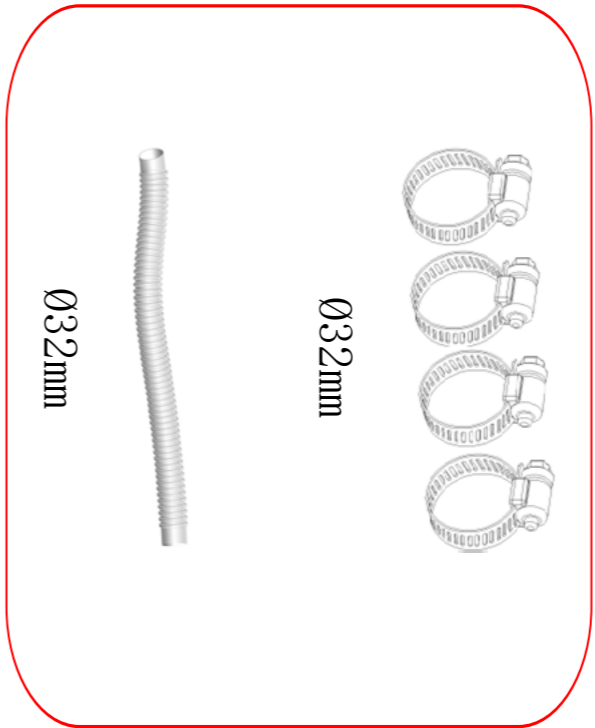
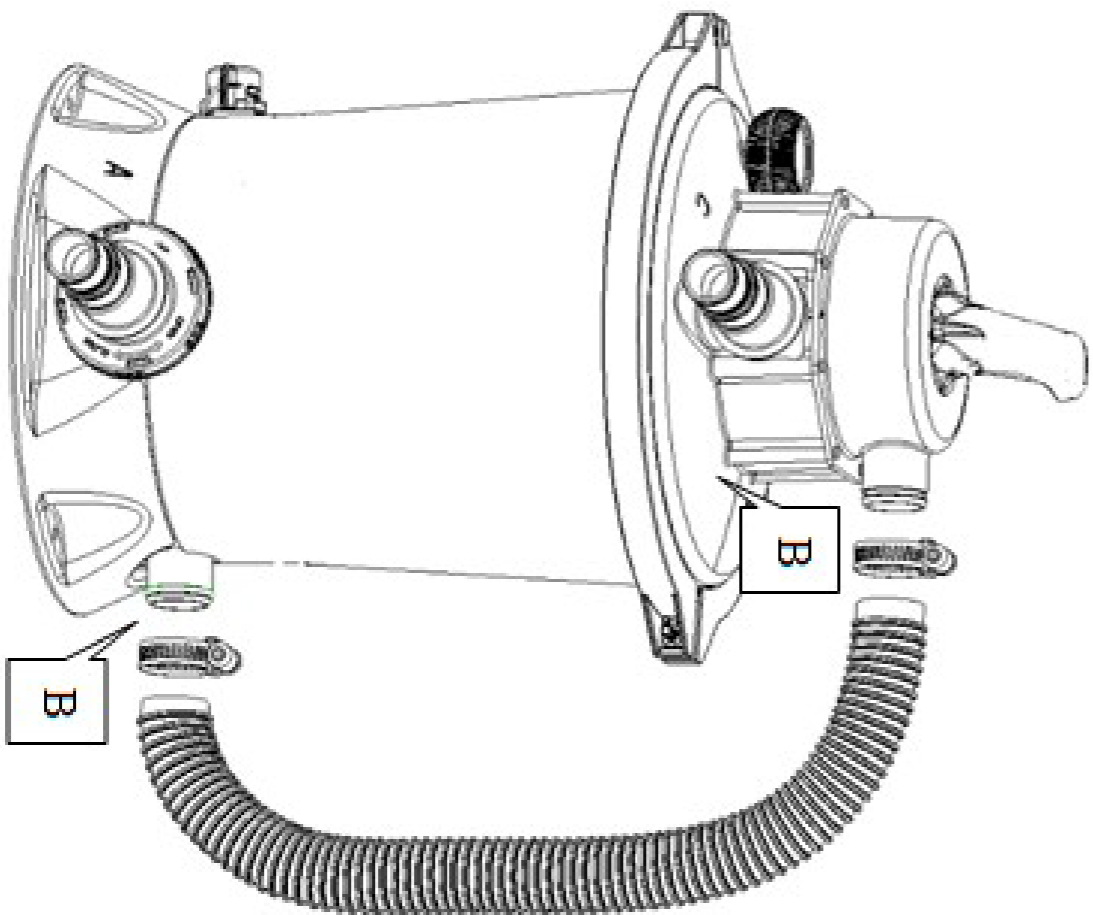
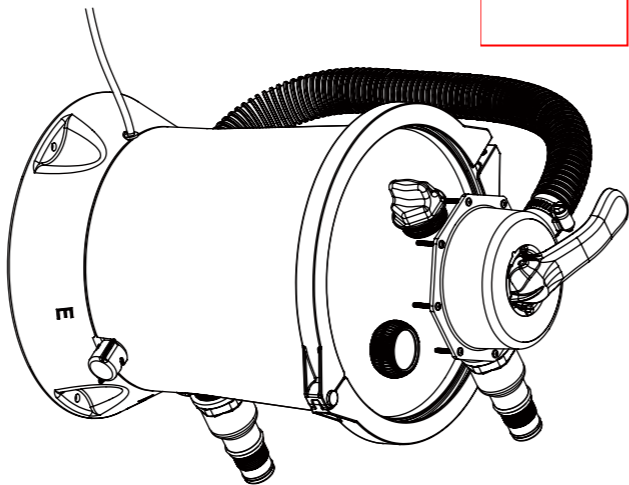
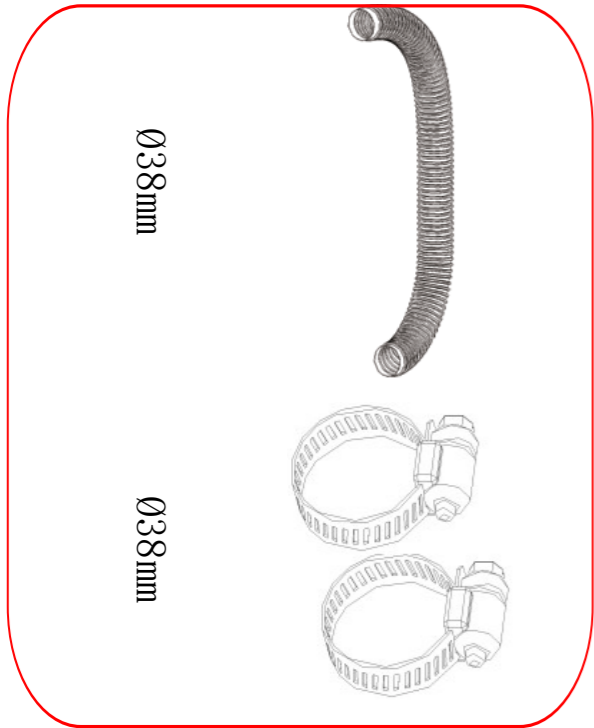
6-1

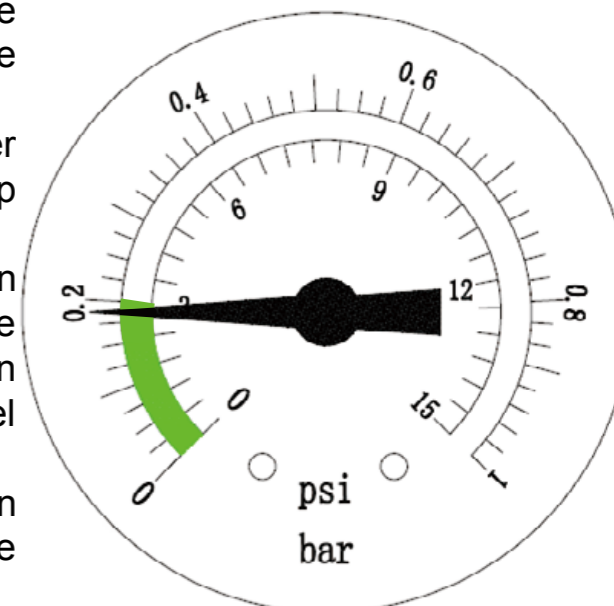
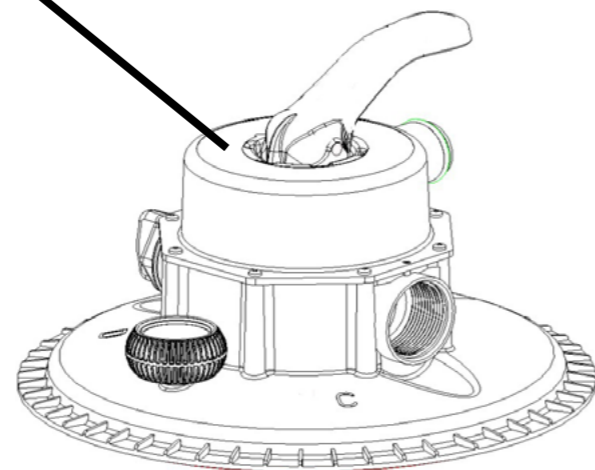
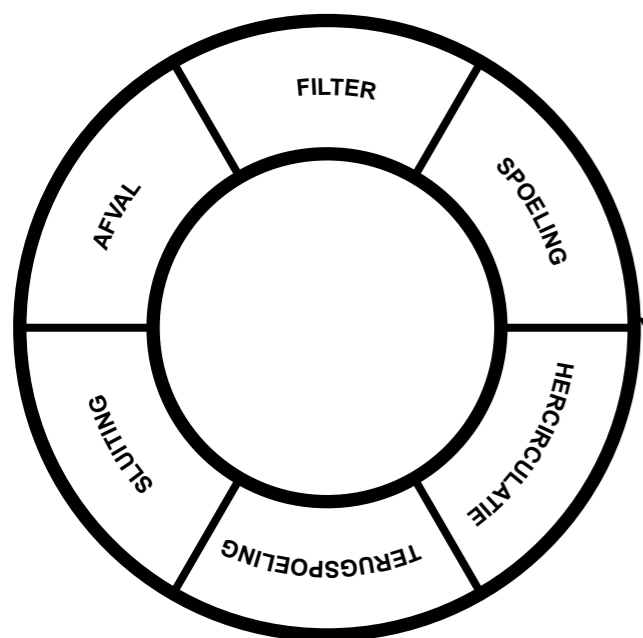


6-2



6-3





Opmerking: Tijdens de werking van de zandfilterpomp, moet u de drukwaarde van de manometer controleren.

Het werkt over het algemeen normaal wanneer de druk van de aanbevolen zandfilterpomp lager is dan 0,2bar (3psi) (groen gebied).

Opmerking: U moet ervoor zorgen dat onderhoud alleen begint nadat de zandfilterpomp is losgekoppeld. Anders kan ernstig risico optreden, zoals lichamelijk letsel of zelfs de dood.

Opmerking: Registreer de waarde van de manometer tijdens de werking van de zandfilterpomp.

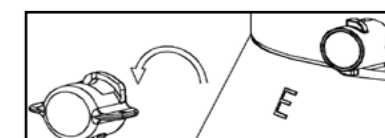
Wanneer de manometer een druk van 0,2bar (3psi) of hoger toont, moet u het zandbed reinigen of het zand vervangen. Gebruik de functies "terugspoeling" en "spoeling".

NB: regelmatig spoelen overeenkomstig de gebruikssituatie wordt aanbevolen.

Langdurige opslag en opslag in de winter

Het product gebruiken in een bevroren zwembad kan het product beschadigen en de kwaliteitsgarantie ongeldig maken. Als het product met antivries moet worden gebruikt, kan propyleenglycol tevens worden gebruikt. Propyleenglycol is een niet-giftige chemische stof die niet schadelijk is voor plastic onderdelen. Andere soorten antivries zijn uiterst giftig en kunnen schadelijk zijn voor de plastic elementen van het product.

1. Voorafgaand aan het afvoeren van het water of het herpositioneren van het zwembad, moet u ervoor zorgen dat de afvoerrichting richting de afvoergreppel en weg van het huis is. Bekijk de lokale voorschriften voor vereisten aan speciale waterbehandeling.
2. Schakel het product uit en verwijder de voedingsstekker.
3. Na het legen moet u alle aangesloten zandfilterpompen, getande buizen en filterkappen op de zwembadwand verwijderen.
4. Schroef de afvoerstop (8) tegen de klok in los om het water binnen het huis volledig weg te laten lopen. De afvoerstop bevindt zich op de bodem van de hoofdeenheid.



5. Droog de onderdelen van de zandfilterpomp en de getande buizen.
6. Smeer de afdichtingen en borgringen in de onderstaande volgorde voor langdurige opslag.
7. De beste praktijk voor productopslag is het drogen van de onderdelen en de motor en deze terugplaatsen in de originele verpakking. Voor het vermijden van krimpen of roestvorming, moet u de motor niet afdekken of inwickelen met een plastic zak.
8. Bewaar de motor en de onderdelen op een droge plek bij 32°F (0°C) ~104°F (40°C).

Locaties van stuurklep	Functies	Richting waterstroom
Filter	Normaal filteren voor het reinigen van het zwembad	Water stroomt door het filterbed op de locatie van zandfilterpomp en bereikt dan het zwembad.
Terugspoelen	Waterstroom omkeren voor het spoelen van het filterbed	Water stroomt door het filterbed op de locatie van zandfilterpomp en wordt direct afgevoerd uit de afvoerafvoeruitlaat.
Spoeling	Deze functie wordt gebruikt voor het eerste opstarten. Zand in de zandtank wordt gespoeld en het zandbed wordt genivelleerd na terugspoelen.	Water stroomt door het filterbed op de locatie van zandfilterpomp en wordt direct afgevoerd uit de afvoerafvoeruitlaat.
Afvoer	Direct uit de afvoerafvoeruitlaat afgevoerd, gebruikt om het waterpeil te verlagen of om water uit het zwembad af te voeren.	Direct afgevoerd uit de afvoerafvoeruitlaat van de zandfilterpomp zonder passeren van het filterbed
Hercirculatie	Circuleert zwembadwater zonder door het filterbed te gaan.	Water stroomt direct in het zwembad door de stuurklep van de zandfilterpomp zonder passeren van het filterbed
Sluiting	Gesloten waterstroom tussen filter en zwembad	/

Diagnose van problemen en oplossingen

Problemen	Controleren	Oplossingen
De motor kan niet normaal worden gestart	De stroomstekker is niet goed aangesloten De lekbeveiliging is losgekoppeld Motor oververhit of overbelast Zorgt ervoor dat de motor stopt	Zorg ervoor dat het stroomsnoer in het gearde metalen stopcontact met 3 kernen is gestoken. Reset de circuitonderbreker. Als het probleem blijft bestaan, kan het voedingssysteem defect zijn. Schakel onmiddellijk uit en raadpleeg een expert. Laat de motor op natuurlijke wijze afkoelen en start het opnieuw.
Filter Kan het zwembad niet spoelen	Geen zand in de hoofdeenheid Locatiefout van de stuurklep Teveel vuil in het water Filtervat geblokkeerd	Zand vullen Raadpleeg de instructies voor zand vullen De stuurklep roteert naar de filterpositie om de bedrijfstijd te verlengen Reinig het filtervat
Het filter kan geen water afvoeren of de stroomsnelheid van het water is te laag.	Er is een blokkering bij de inlaat Er is een luchtlek bij de opening van de inlaat Teveel vuil in het water Filtermedium is geblokkeerd door onzuiverheden Het zwembad is aangesloten op een reinigingsapparaat	Controleer en verwijder de blokkering in de waterleidingen Draai de moeren van het spuitstuk vast en controleer het beschadigde punt van het spuitstuk en de waterhoogte Reinig het filterrooster Terugspoelen Demonteer het reinigingsapparaat dat is aangesloten op het zwembad
Filter werkt niet	Het waterpeil is te laag Filterrooster is geblokkeerd Luchtlek in de inlaatbuis Motor of blad is geblokkeerd	Injecteer water om het waterpeil aan te passen Reinig het filterrooster in het zwembad Draai het spuitstuk vast en controleer het beschadigde punt Vervang de fittingen
Waterlekkage bij de stuurklep of bovenste kap	De afdichtring van de hoofdeenheid ontbreekt of is te vuil De borgring van de stuurklep is niet stevig vastgedraaid of is beschadigd	Verwijder de bovenste afdekking van de stuurklep en de afdichtring van de hoofdeenheid Reinig de afdichtring van de hoofdeenheid met een waterleiding Draai de schroef vast met een schroevendraaier Vervang de fittingen
De manometer werkt niet	De binnenwand van de manometer is geblokkeerd De manometer is beschadigd	Verwijder de manometer van de stuurklep en verwijder de onzuiverheden van de binnenwand Vervang de fittingen
Er komt zand in het zwembad	De zanddeeltjes zijn te fijn	Gebruik alleen 20# kwartszand Deeltjesgrootte van het zand is 0,45-0,85mm Of vervang het zand

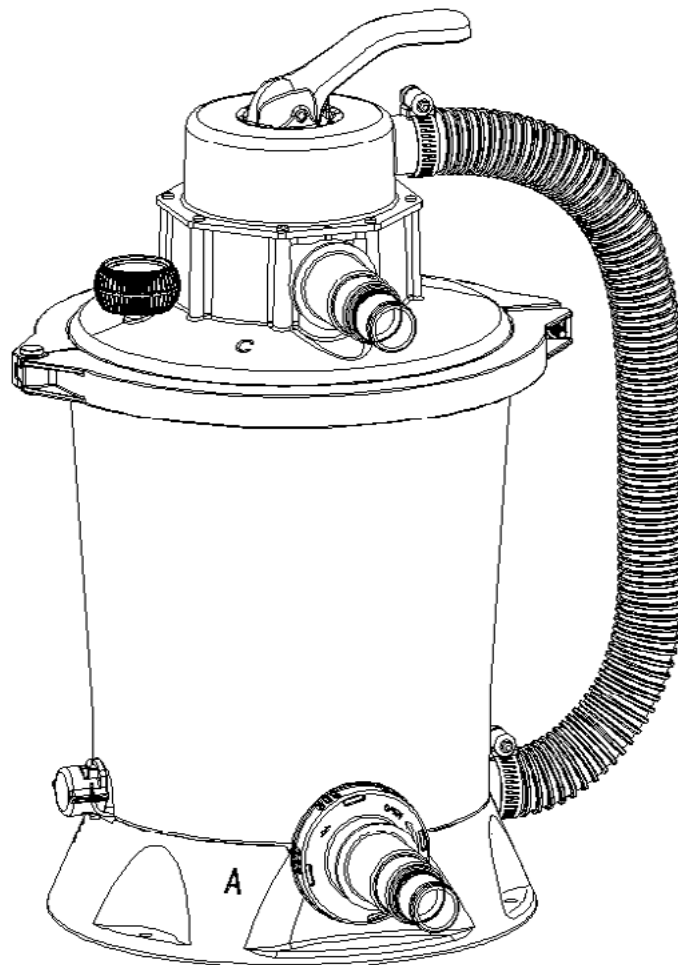
SFP7-16-D



Jilong®

HANDBUCH FÜR SANDFILTERPUMPE

290729XX / 290730XX



Produktspezifikationen

Modell	290729XX	290730XX
Maximaler Betriebsdruck	<0.2bar (3psi)	< 0.3bar(4.5psi)
Spannung	12 V	
Effektiver Filterbereich	0.058m ²	0.058m ²
Maximale Wasserdurchflussmenge	3028L/h	3785L/h
Maximale Wassertemperatur	35°C	
Empfohlene Filtermedien	20# Quarzsand mit einer Partikelgröße von 0,45 bis 0,85 mm und einem Partikelgleichförmigkeitskoeffizienten von insgesamt weniger als 1,75.	
Empfohlene Menge Medien	Quarzsand, 10 kg	

Bitte sorgfältig lesen und für spätere Bezugnahme aufbewahren

Sicherheitshinweise

Befolgen Sie immer die grundlegenden Sicherheitshinweise zur Installation und Nutzung dieses Elektrogerätes, einschließlich

WARNUNG: Dieses Gerät darf nur dann von Kindern (ab acht Jahren) oder von Personen bedient werden, die unter körperlichen oder geistigen Einschränkungen leiden oder denen es an der nötigen Erfahrung im Umgang mit solchen Geräten mangelt, wenn solche Personen aufmerksam und lückenlos beaufsichtigt werden, zuvor gründlich mit der Bedienung des Gerätes vertraut gemacht wurden und sich der damit verbundenen Gefahren voll und ganz bewusst sind. Kinder dürfen nicht mit dem Gerät spielen. Kinder dürfen das Gerät nicht ohne Aufsicht reinigen oder bedienen.

WARNUNG: Kinder müssen beaufsichtigt werden, damit sie nicht mit dem Gerät spielen

WARNUNG: Das Produkt sollte von Kindern ferngehalten werden, damit sie nicht darauf klettern.

WARNUNG: Es besteht Stromschlaggefahr. Dieses Produkt darf nur an eine geerdete Steckdose angeschlossen werden. Falls Sie unsicher sind, wenden Sie sich zur Installation bitte an einen erfahrenen Elektriker. Diese Steckdose hat einen maximalen Leckstrom von 30 mA. Bitte verwenden Sie keine bewegliche Steckdose.

WARNUNG: Die Pumpe muss über einen Fehlerstrom-Schutzschalter (RCD) mit einem nominellen Ansprech-Fehlerstrom von nicht mehr als 30 mA mit Strom versorgt werden.

WARNUNG: Trennen Sie dieses Produkt vor Reinigung, Wartung oder Anpassung vom Stromnetz, indem Sie den Netzstecker aus der Steckdose ziehen.

WARNUNG: Vergraben Sie das Kabel nicht im Boden und verlegen Sie es an einem

sicheren Ort, sodass es nicht durch Rasenmäher und andere Geräte beschädigt wird.

WARNUNG: Das Netzkabel kann nicht ersetzt werden. Bei beschädigtem Netzkabel sollte das Gerät entsorgt werden.

WARNUNG: Schließen Sie zur Reduzierung der Stromschlaggefahr keine Verlängerungskabel, Zeitschaltuhren, Steckeradapter oder Wandler an das Filtergehäuse an. Nutzen Sie eine feste Steckdose.

WARNUNG: Ziehen Sie den Netzstecker nicht, wenn Sie in Wasser stehen oder Ihre Hände feucht oder nass sind.

WARNUNG: Nach Installation des Produktes sollte die Anschlussposition des Steckers gut sichtbar und leicht zugänglich sein.

WARNUNG: Starten Sie dieses Produkt nicht, wenn es gerade benutzt wird.

WARNUNG: Dieses Produkt darf nur von Erwachsenen installiert und entfernt werden.

WARNUNG: Dieses Produkt kann nur mit einem beweglichen Produkt verwendet werden. Verwenden Sie es nicht in Verbindung mit einem fixierten Produkt. Das bewegliche Produkt kann zur Wasseraufbewahrung entfernt und anschließend wieder an seiner ursprünglichen Position installiert werden.

WARNUNG: Bitte schalten Sie das Produkt vor Drehen des Reglerventils aus. Andernfalls drohen Schäden am Produkt und Verletzungen.

WARNUNG: Setzen Sie die Filterabdeckung nicht in das Produkt ein, falls sie locker oder beschädigt ist; andernfalls besteht die Gefahr, angesaugt zu werden. Bitte ersetzen Sie die Filterabdeckung in solch einer Situation umgehend.

WARNUNG: Spielen oder schwimmen Sie nicht in der Nähe der Filterabdeckung. Körperteile und Haare könnten angesaugt werden; dadurch können Sie sich verletzen oder sogar ertrinken.

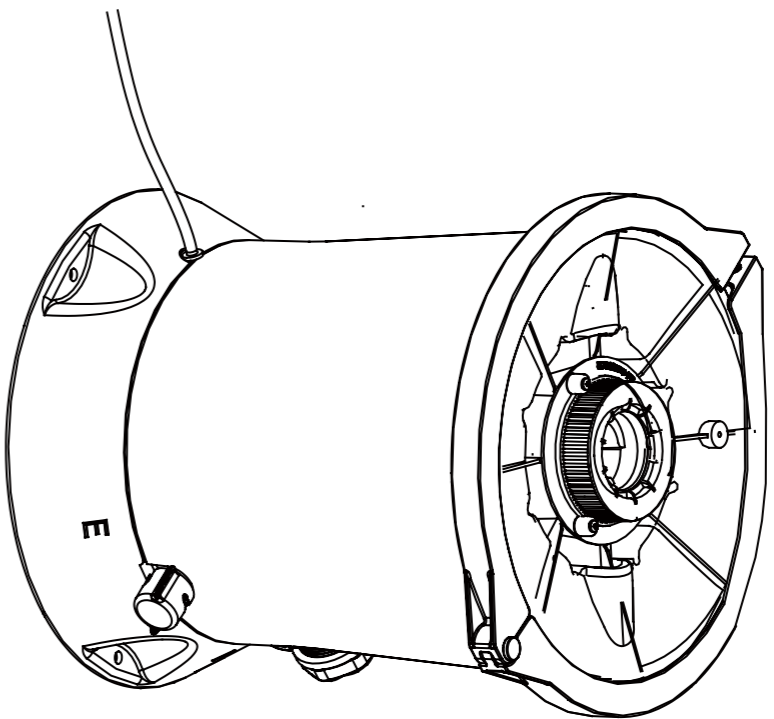
WARNUNG: Starten Sie dieses Produkt nicht, wenn die am Manometer angezeigte Messung einen vorgegebenen Maximalwert übersteigt.

WARNUNG: Es besteht Druckgefahr; jegliche unsachgemäße Installation des Zylinderkopfs kann Schäden verursachen und dadurch ernsthafte oder sogar tödliche Verletzungen oder Sachschäden zur Folge haben.

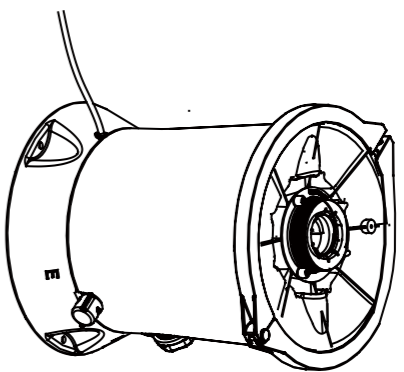
HINWEIS: Dieses Produkt ist auf die in den technischen Daten beschriebenen Zwecke beschränkt.

WARNUNG: Die Förderhöhe der Pumpe: 1,5 m.

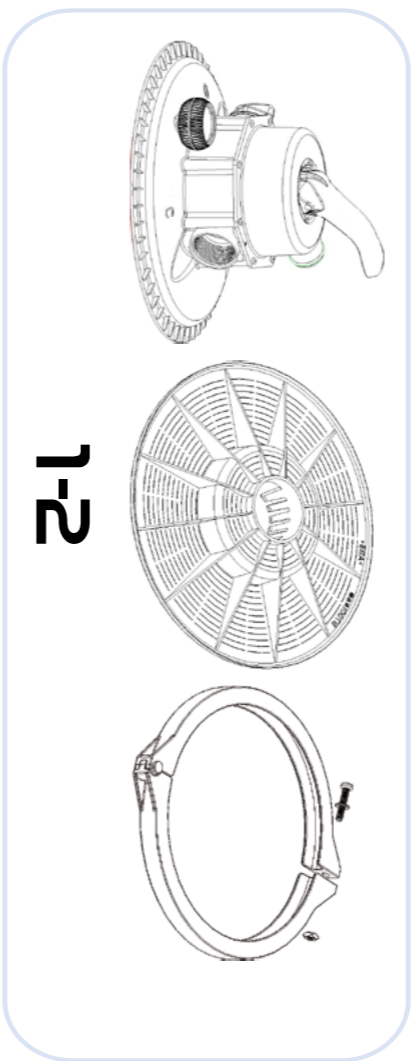
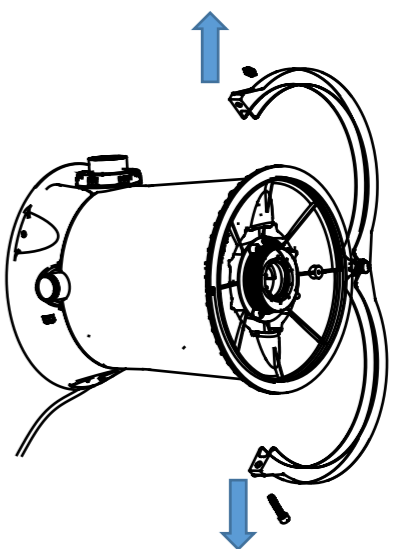
1



1-1-1



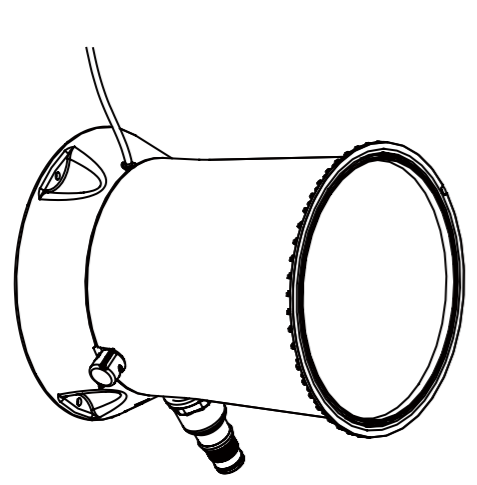
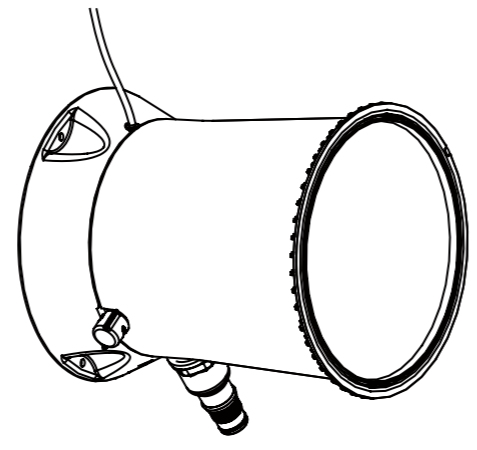
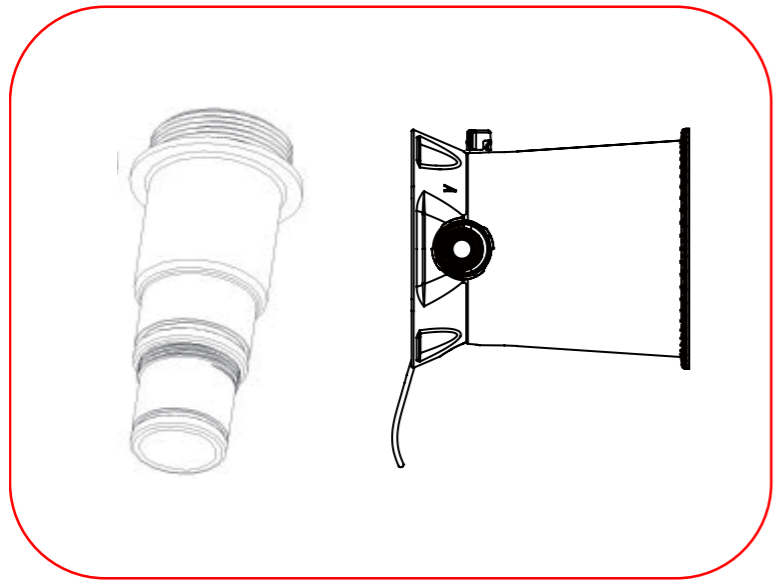
1-1-2



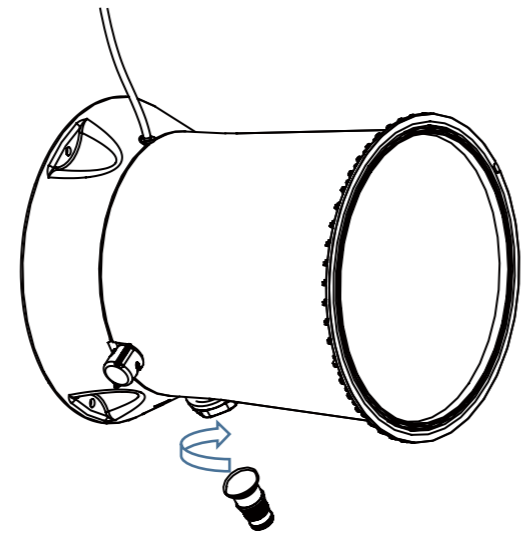
1-2

<p>395053</p>	<p>395059</p>	<p>395061</p>	<p>395062</p>
<p>395072</p>	<p>395064</p>	<p>395066 Ø38mm x2</p>	<p>395067 Ø32mm x4</p>
<p>395068</p>	<p>395063 Ø32/Ø38mm x2</p>	<p>395065 Ø38mm</p>	<p>JL290369 Ø32mm x2</p>

2

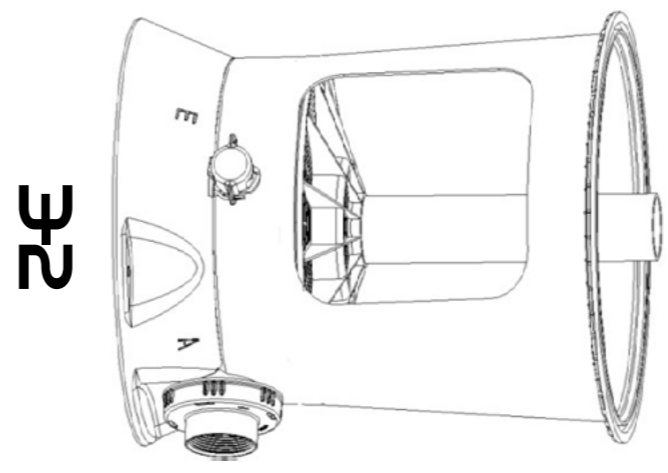
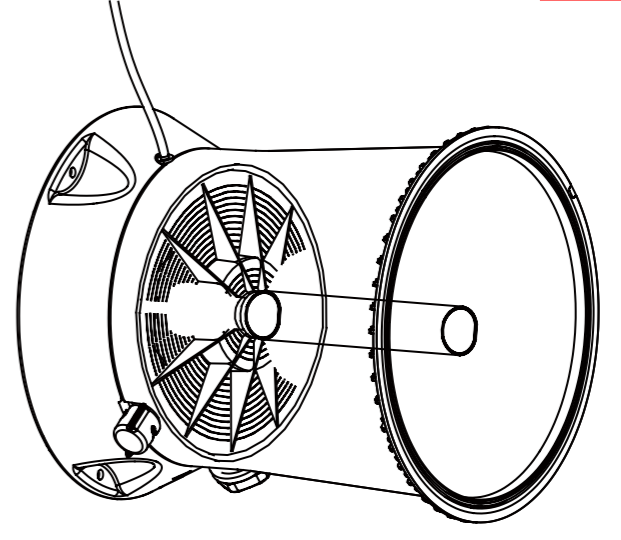
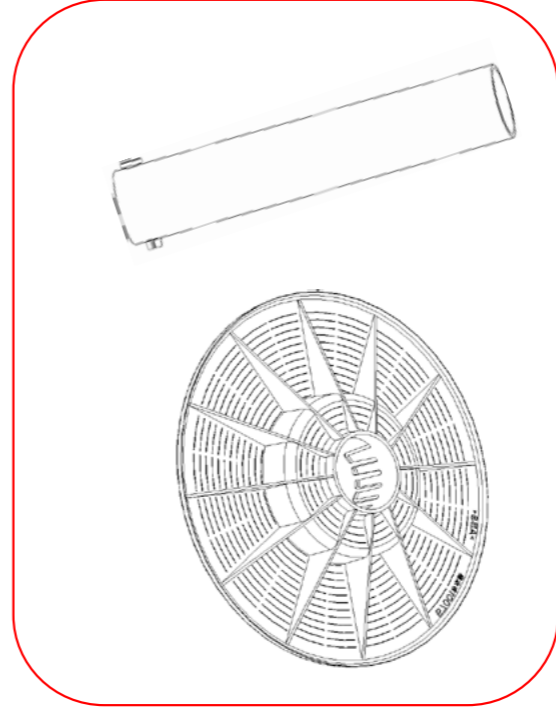


2-2



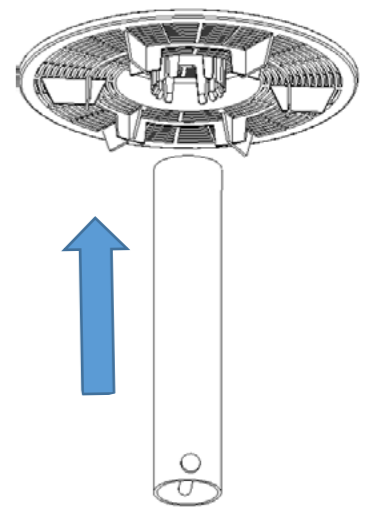
2-1

3

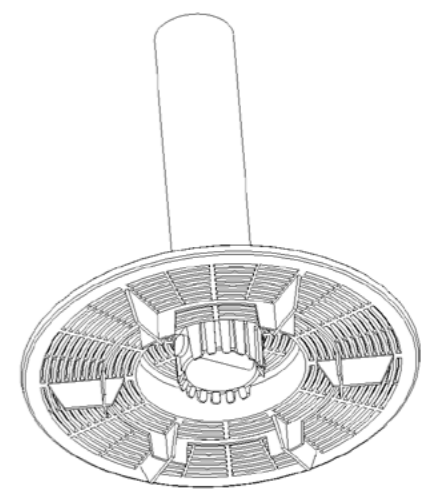


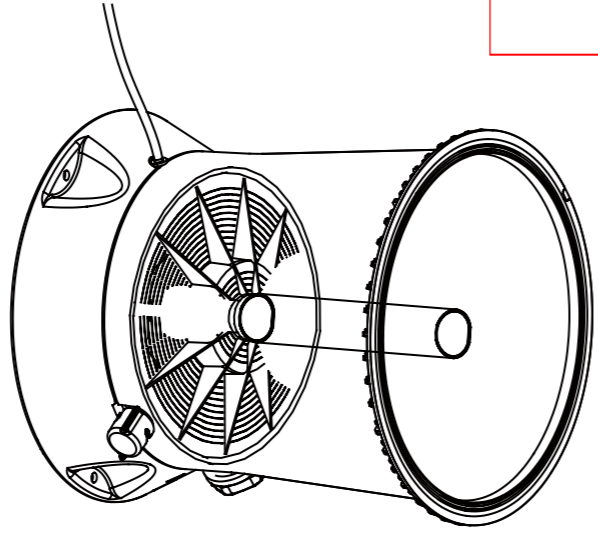
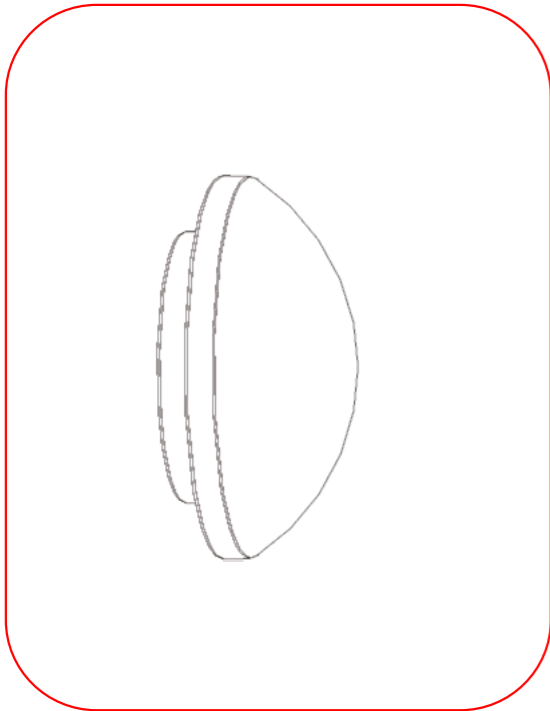
3-2

3-1-1



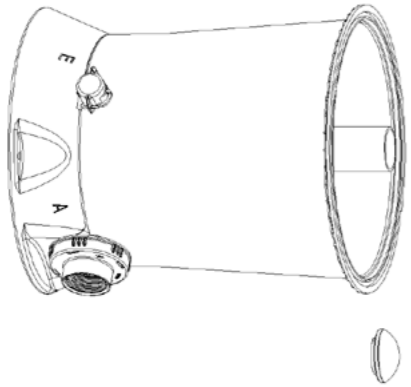
3-1-2



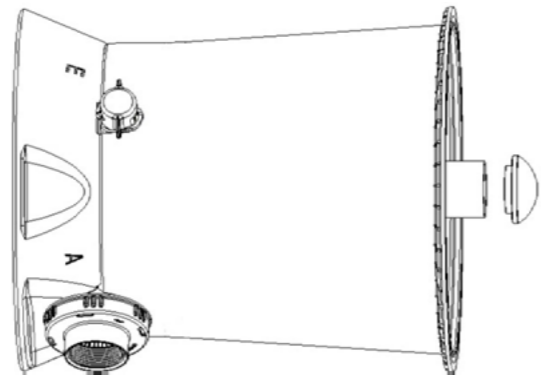


4

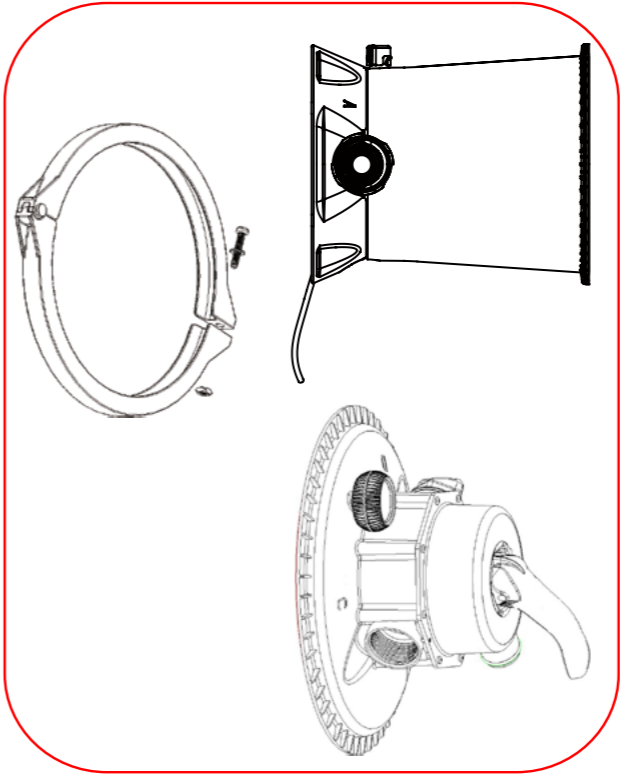
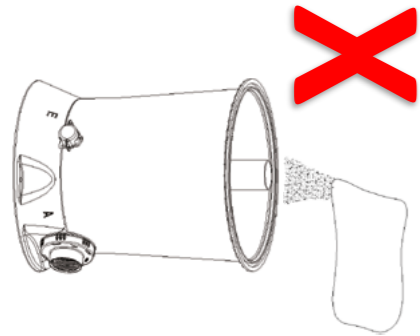
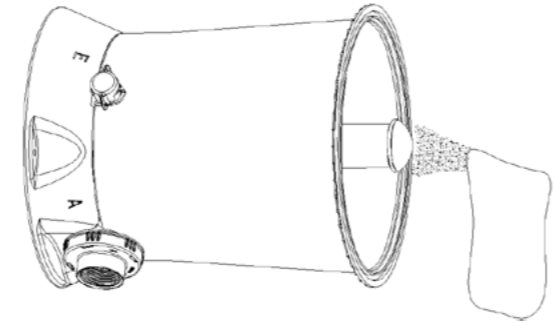
4-1-3



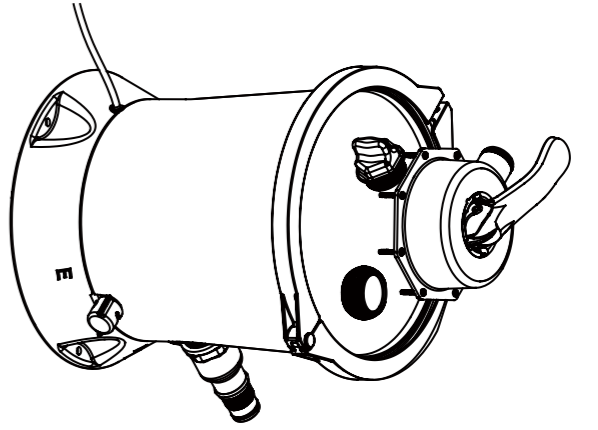
4-1-1



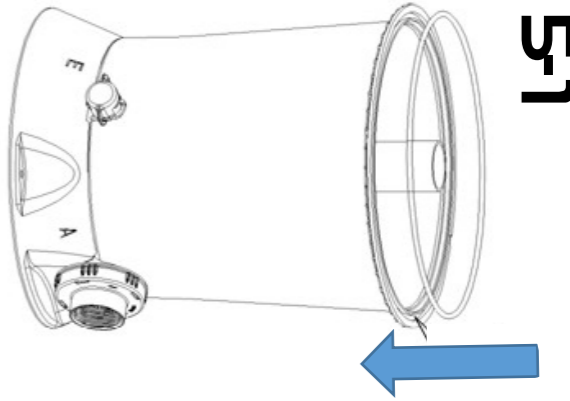
4-1-2



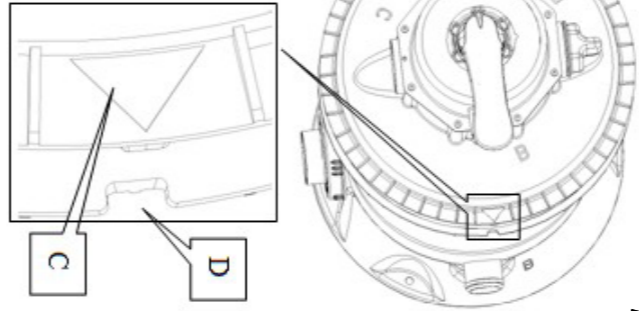
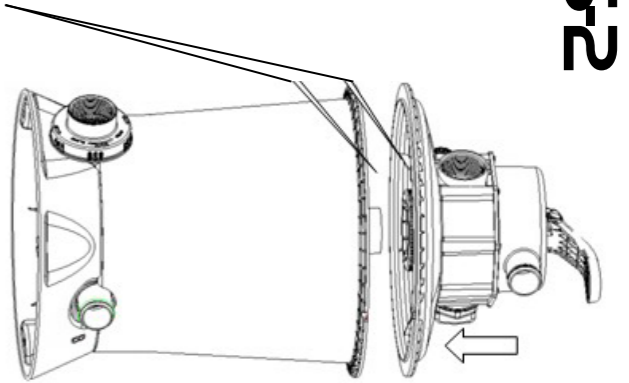
5

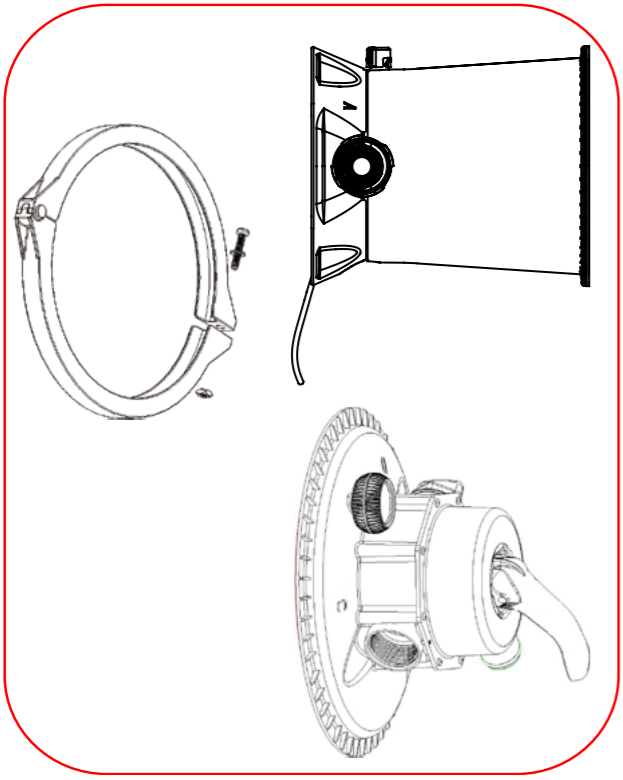


5-1

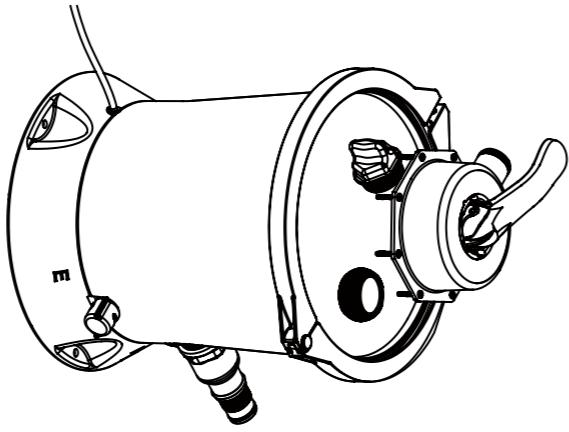


5-2

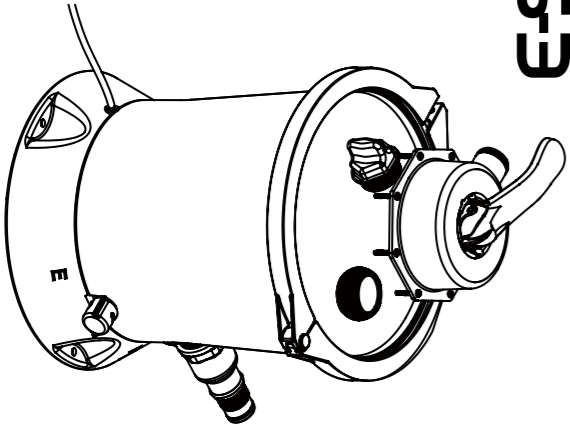




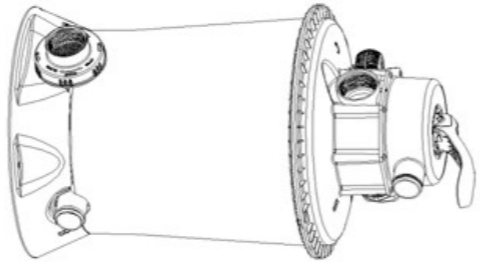
6



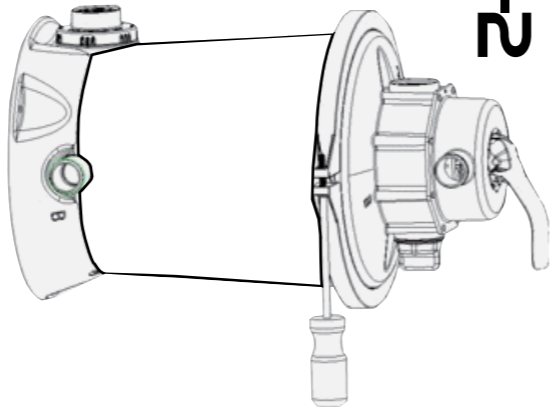
6-3



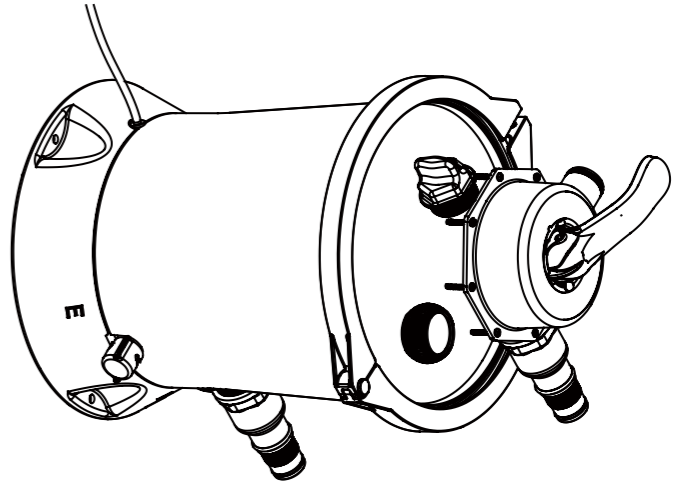
6-1



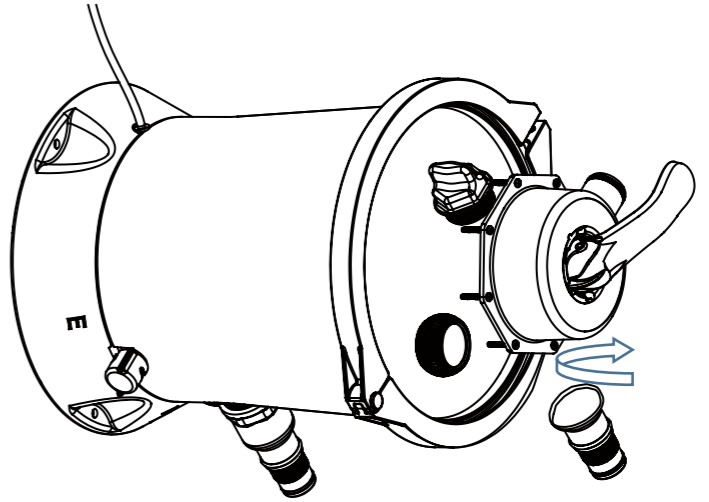
6-2



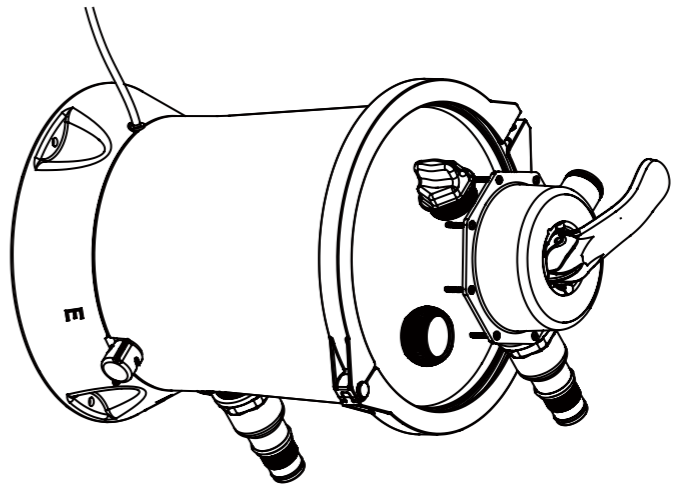
7

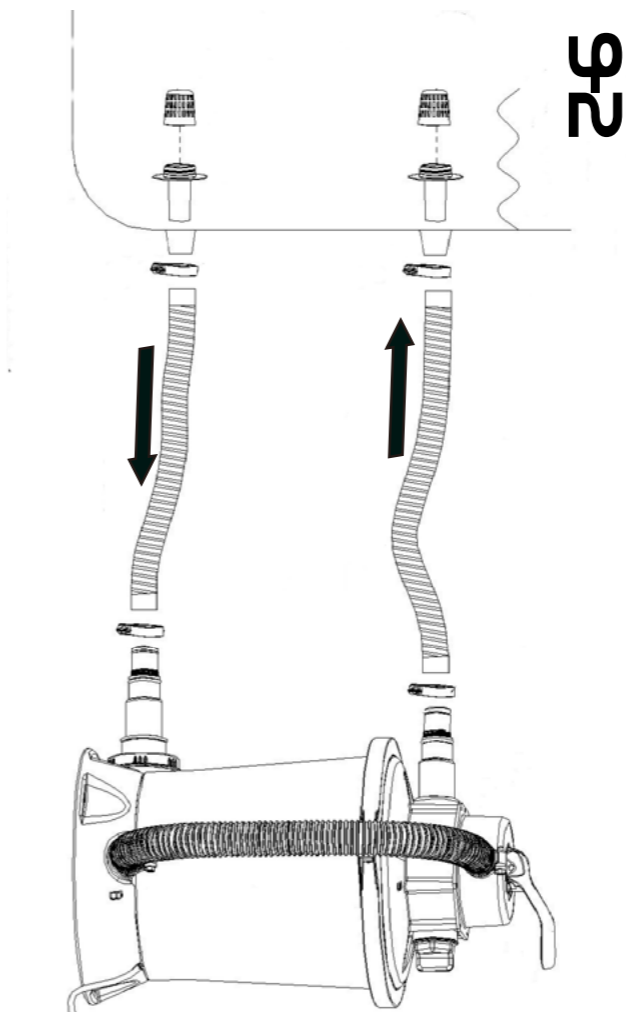
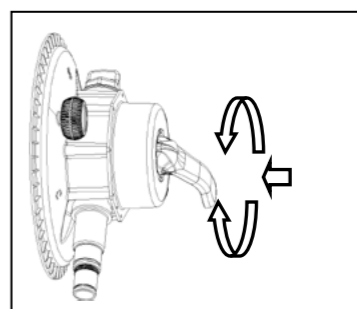
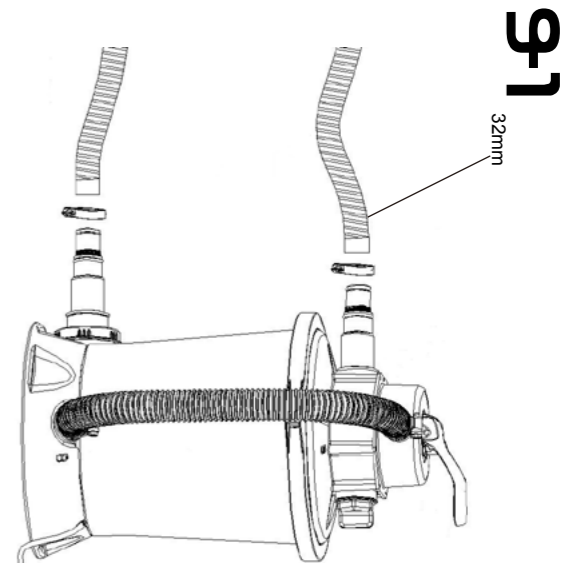
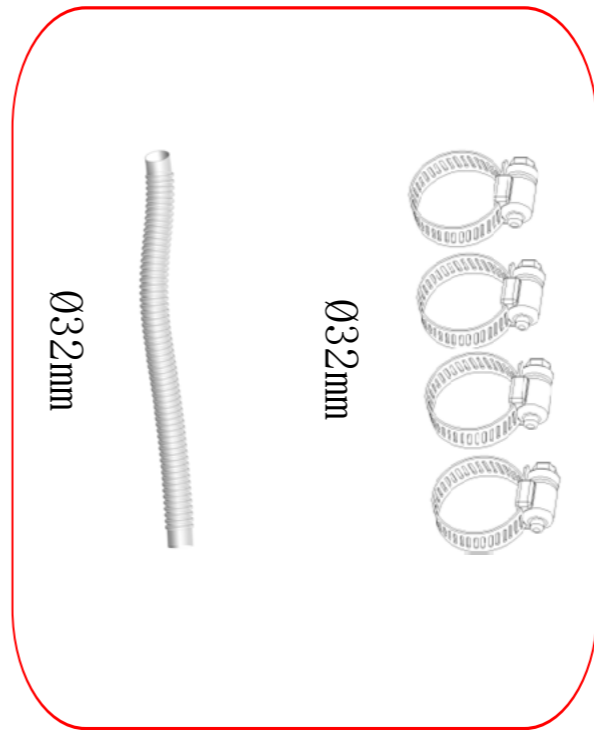
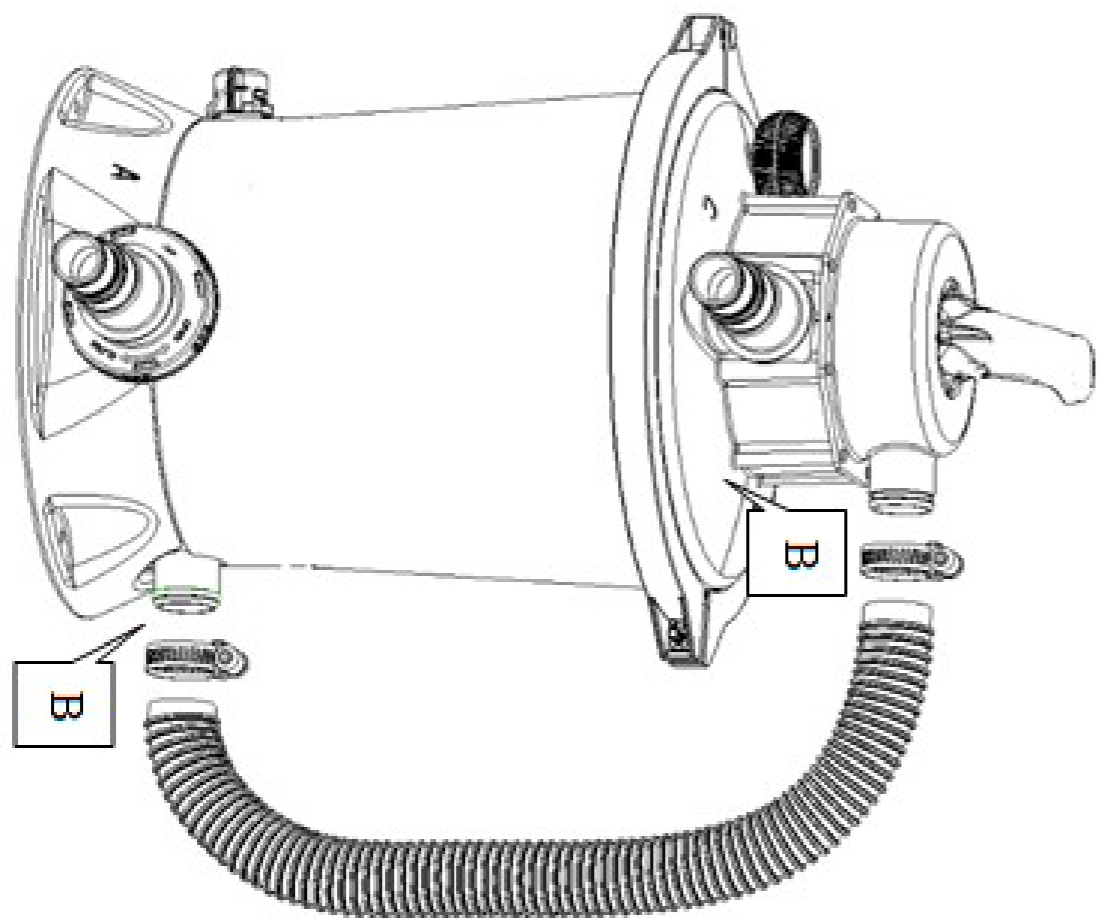
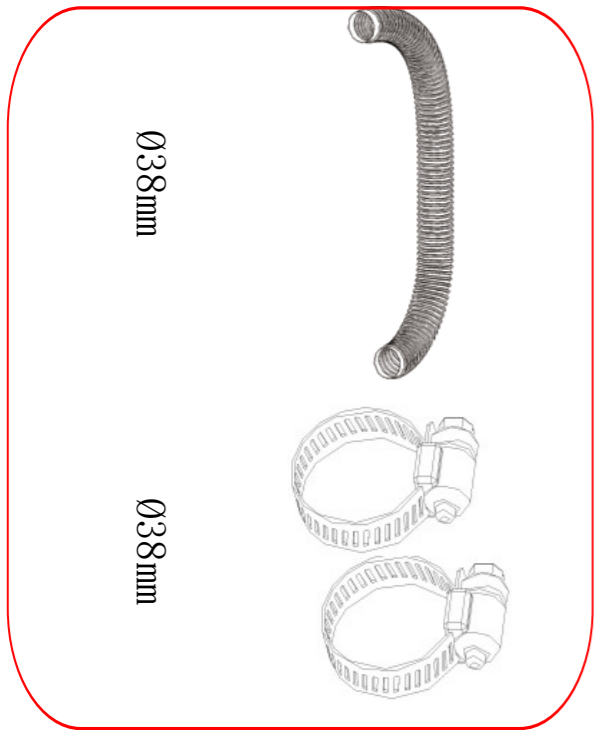


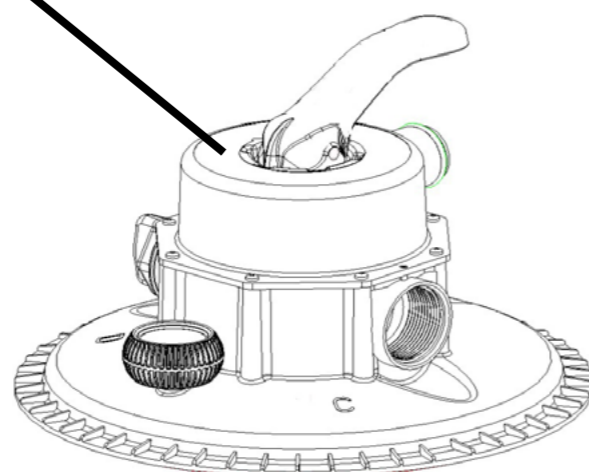
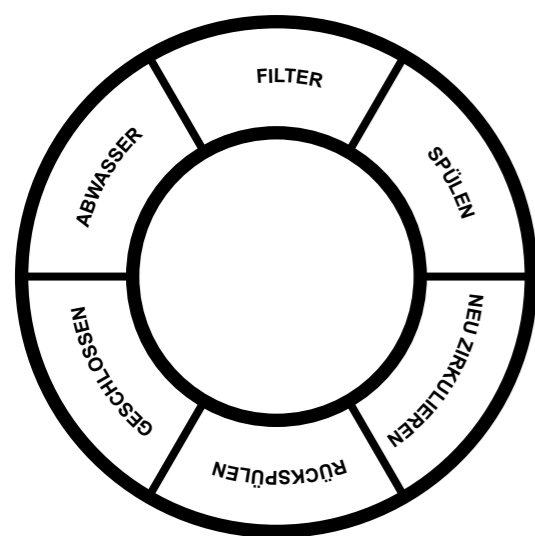
7-1



7-2







Position des Regelventils	Funktionen	Wasserfließrichtung
Filter	Normale Filterung zum Spülen des Pools	Wasser fließt durch das Filterbett, in dem die Sandfilterpumpe liegt, und gelangt dann in den Pool
Rückspülen	Fließrichtung des Wassers wird zum Ausspülen des Filterbetts umgekehrt	Wasser fließt durch das Filterbett, in dem die Sandfilterpumpe liegt, und wird dann direkt aus dem Ablauf ausgelassen.
Spülen	Diese Funktion ist für den ersten Startvorgang vorgesehen. Sand im Sandtank wird ausgespült und das Sandbett wird nach dem Rückspülen nivelliert.	Wasser fließt durch das Filterbett, in dem die Sandfilterpumpe liegt, und wird dann direkt aus dem Ablauf ausgelassen.
Ablauf	Direkter Abfluss aus dem Ablauf, zum Senken des Wasserspiegels oder zum Ablassen des Wassers aus dem Pool	Abfluss direkt aus dem Ablauf des Sandpumpenfilters, ohne dass das Wasser das Filterbett passiert
Rezirkulierung	Zirkuliert das Poolwasser, ohne dass das Wasser das Filterbett passiert.	Wasser fließt direkt durch das Regelventil der Sandfilterpumpe in den Pool, ohne dass das Wasser das Filterbett passiert
Geschlossen	Geschlossener Wasserfluss zwischen Filter und Pool	/

Hinweis: Prüfen Sie während des Betriebs der Sandfilterpumpe die Druckmessung des Manometers.

Wenn der Druck der Sandfilterpumpe weniger als 0,2 bar (grüner Bereich) beträgt, läuft sie normal.

Hinweis: Beginnen Sie erst nach Trennung der Stromversorgung mit Wartungsarbeiten an der Sandfilterpumpe. Andernfalls bestehen ernsthafte Gefahren, wie (lebensgefährliche) Verletzungen.

Hinweis: Notieren Sie die Messung des Manometers während des Betriebs der Sandfilterpumpe.

Wenn das Manometer einen Druck von 0,2 bar oder mehr anzeigt, sollten Sie das Sandbett reinigen oder den Sand wechseln. Verwenden Sie die Funktion „Rückspülen“ oder „Ausspülen“.

Hinweis: Führen Sie die Spülung regelmäßig entsprechend den Nutzungsbedingungen aus.



Langfristige Lagerung und Lagerung im Winter

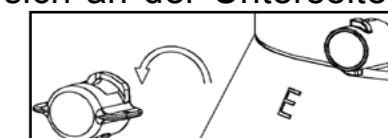
Durch den Einsatz des Produktes in einem gefrorenen Pool kann das Produkt beschädigt werden und die Qualitätsgarantie erlöschen. Falls das Produkt mit einem Frostschutzmittel genutzt werden muss, empfehlen wir Propylenglykol. Propylenglykol ist eine ungiftige Chemikalie, die für Kunststoffteile unschädlich ist. Andere Arten von Frostschutzmitteln sind hochgiftig und können Kunststoffteile des Produktes beschädigen.

1. Stellen Sie sicher, dass die Ablaufrichtung zur Ablaufrinne und vom Haus weg ausgerichtet ist, bevor Sie das Wasser ablassen oder den Pool neu aufstellen. Prüfen Sie bei speziellen Anforderungen an die Wasseraufbereitung die örtlichen Richtlinien.

2. Schalten Sie das Produkt aus und ziehen Sie den Netzstecker.

3. Entfernen Sie nach dem Leeren alle angeschlossenen Sandfilterpumpen, Wellschläuche und Filterhauben an der Poolwand.

4. Lösen Sie das Ablaufventil (8) durch Drehen gegen den Uhrzeigersinn, damit das gesamte Wasser abläuft. Der Ablaufstopfen befindet sich an der Unterseite des Gehäuses.



5. Trocknen Sie die Teile der Sandfilterpumpe und die Wellschläuche ab.

6. Schmieren Sie zur langfristigen Lagerung die Dichtringe und Unterlegscheiben in der nachstehenden Reihenfolge.

7. Es empfiehlt sich, Teile und Motor vor der Lagerung abzutrocknen und in der Originalverpackung aufzubewahren. Zur Vermeidung von Korrosion sollten Sie den Motor nicht mit einer Plastikfolie abdecken oder einwickeln.

8. Bitte bewahren Sie Motor und Teile an einem trockenen Ort bei 0 bis 40 °C auf.

Problemdiagnostik und Lösungen

Probleme	Überprüfung	Lösungen
Der Motor kann nicht normal gestartet werden	Der Netzstecker ist nicht richtig angeschlossen Auslaufschutz ist getrennt Motor überhitzt oder überlastet Motor stoppt	Stellen Sie sicher, dass das Netzkabel an eine 3-adrige geerdete Steckdose angeschlossen ist. Setzen Sie den Trennschalter zurück. Falls das Problem weiterhin auftritt, ist möglicherweise das Stromversorgungssystem defekt. Schalten Sie es sofort ab und wenden Sie sich an einen Experten. Lassen Sie den Motor abkühlen und starten Sie ihn neu.
Filter Pool kann nicht ausgespült werden	Kein Sand im Gehäuse Positionsfehler des Reglerventils Übermäßig viel Schmutz im Wasser Filterbehälter blockiert	Füllen Sie Sand auf. Beachten Sie die Anweisungen zum Auffüllen. Das Regelventil dreht sich zur Verlängerung der Laufzeit in die Filterposition Reinigen Sie den Filterbehälter
Der Filter kann kein Wasser ablassen oder die Wasserdurchflussmenge ist zu langsam	Der Einlass ist verstopft In der Lücke des Einlasses befindet sich ein Luftleck Übermäßig viel Schmutz im Wasser Filtermedium ist mit Schmutz zugesezt Der Pool ist mit einem Reinigungsgerät verbunden	Prüfen und beseitigen Sie die Blockade in den Wasserschläuchen Ziehen Sie die Düsenmuttern fest und prüfen Sie die Düse auf Schäden sowie den Wasserstand Reinigen Sie das Filtersieb Rückspülen Demontieren Sie das mit dem Pool verbundene Reinigungsgerät
Der Filter funktioniert nicht	Wasserstand ist zu gering Filtersieb ist verstopft Luftleck im Zulaufschlauch Motor oder Klinge ist blockiert	Füllen Sie zum Anpassen des Wasserstands Wasser ein Reinigen Sie das Filtersieb im Pool Ziehen Sie die Düse fest und prüfen Sie sie auf Schäden Ersetzen Sie die Befestigungsmaterialien
Wasserleck am Regelventil oder an der oberen Abdeckung	Der Dichtungsring des Gehäuses ist locker oder zu verschmutzt Der Regelventilhalter ist nicht sicher befestigt oder beschädigt	Entfernen Sie die obere Abdeckung des Reglerventils und die Hülse des Gehäusedichtrings Reinigen Sie den Gehäusedichtring mit einem Wasserschlauch Ziehen Sie die Schraube mit einem Schraubendreher fest Ersetzen Sie die Befestigungsmaterialien
Das Manometer funktioniert nicht	Die Innenwand des Manometers ist blockiert Das Manometer ist beschädigt	Entfernen Sie das Manometer aus dem Regelventil und beseitigen Sie Schmutz an der Innenwand Ersetzen Sie die Befestigungsmaterialien
Sand gelangt in den Pool	Die Sandpartikel sind zu fein	Verwenden Sie nur 20# Quarzsand Partikelgröße des Sands beträgt 0,45 bis 0,85 mm. Oder ersetzen Sie den Sand

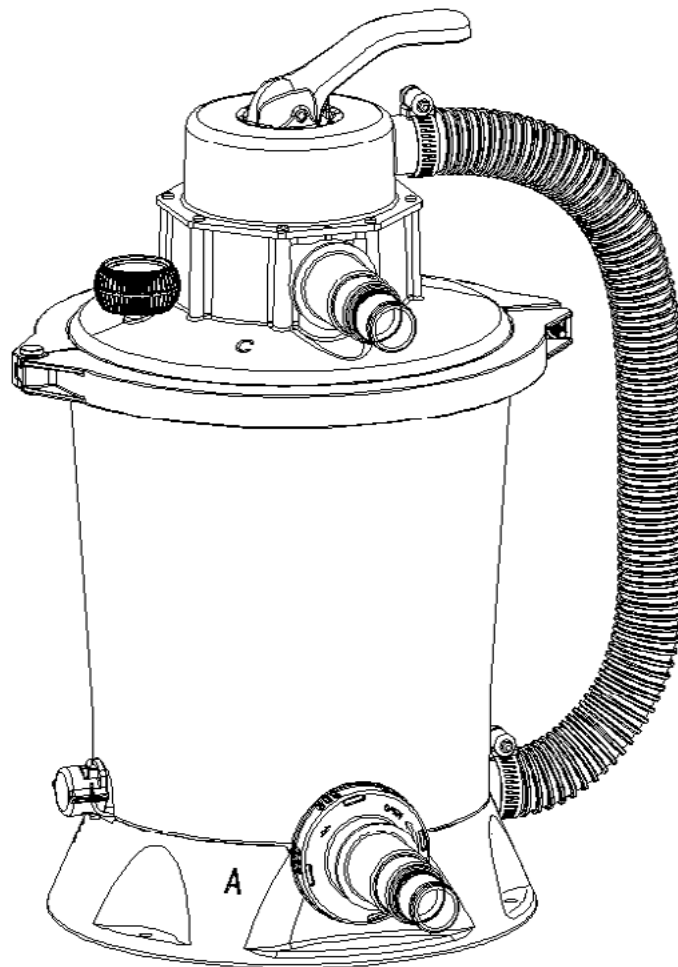
SFP7-16-GB



Jilong®

SAND FILTER PUMP MANUAL

290729XX / 290730XX



Product specifications

Model	290729XX	290730XX
Maximum operating pressure	<0.2bar (3psi)	< 0.3bar(4.5psi)
Voltage	12 V	
Effective filtrating area	0.058m ² (0.62ft ²)	0.058m ² (0.62ft ²)
Maximum water flow rate	800 gallons/hr (3028/h)	1000 gallons/hr (3785/h)
Maximum water temperature	35°C	
Recommended filter media	20# quartz sand or glass sand, with particle size of 0.45-0.85 mm, (i.e. 0.018-0.033 inches), and the overall particle uniformity coefficient of which is smaller than 1.75.	
Recommended number of media	Quartz sand or glass sand, 10 kg	

Please read carefully and save it for future reference

Safety instructions

Always follow the basic safety precautions for installation and use of this electrical equipment, including

WARNING: This appliance can be used by children aged from 8 years and above and persons with reduced physical, sensory or mental capabilities or lack of experience and knowledge if they have been given supervision or instruction concerning use of the appliance in a safe way and understand the hazards involved. Children shall not play with the appliance. Cleaning and user maintenance shall not be made by children without supervision.

WARNING: Children being supervised not to play with the appliance

WARNING: The product should be away from the product, so as to avoid children climbing into it.

WARNING: There is risk of electric shock. This product is only connected to the outlet with grounding protection. If it can not be confirmed, please contact an experienced electrician for installation, this outlet has a maximum leakage current of up to 30mA.; please do not use the movable outlet.

WARNING: The pump is to be supplied through a residual current device (RCD) having a rated residual operating current not exceeding 30 mA.

WARNING: To remove this product, before cleaning, maintenance or adjustment, unplug the power plug from the outlet.

WARNING: Do not bury the wire in the soil, and must arrange it on safety location where it can not be damaged by the lawn mower and other equipment.

WARNING: The supply cord cannot be replaced. If the cord is damaged the appliance should be scrapped.

WARNING: To reduce the risk of electric shock, do not connect any extension wire, timer, plug adapter or converter to the filter body. Please provide a fixed outlet.

WARNING: If you stand in a place with water or your hands are wet, do not unplug the power wire plug.

WARNING: After this product is installed, the installation position of the plug should be visible to the user and easy to access.

WARNING: When the product is in use, do not start this product.

WARNING: Only adult can install and remove this product.

WARNING: This product can only be used with a movable product. Do not use it in conjunction with a fixed product. The movable product can be removed for water storage and re-installed on its original position.

WARNING: To avoid damage to the product and the risk of injury, before the rotating the control valve position, please turn off the product.

WARNING: To reduce the risk of being absorbed, if the filter cover is loosened, damaged, destroyed, or lost, do not put it into the product. In case of the above conditions, please replace the filter cover immediately.

WARNING: Do not play or swim near the filter cover. Your body or hair may be inhaled to cause permanent injury to the body or drowning.

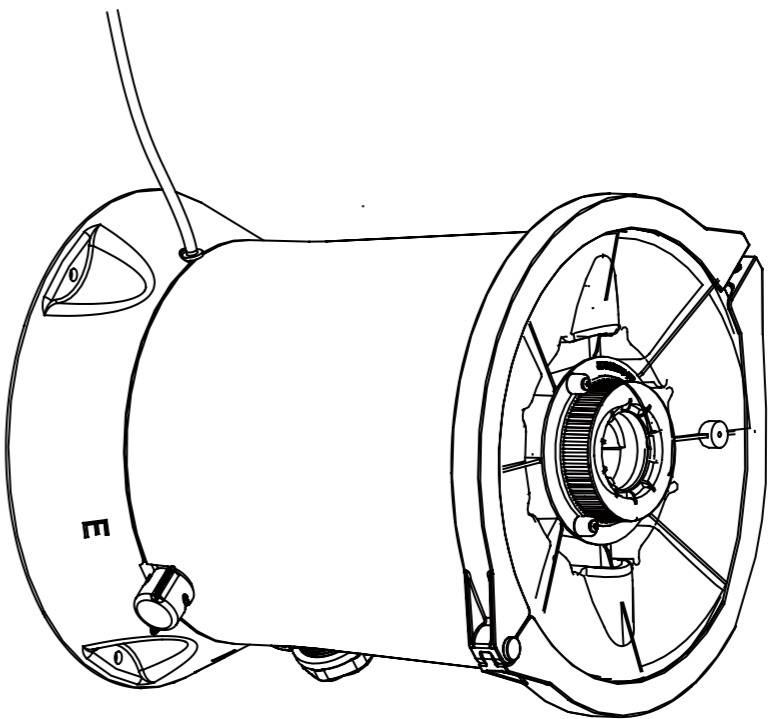
WARNING: When the reading displayed on the pressure gauge of the body exceeds a predetermined maximum data, do not start this product.

WARNING: There is a risk of pressure; any improper installation of the cylinder head can cause its damage, resulting in serious injury, death or damage to any property.

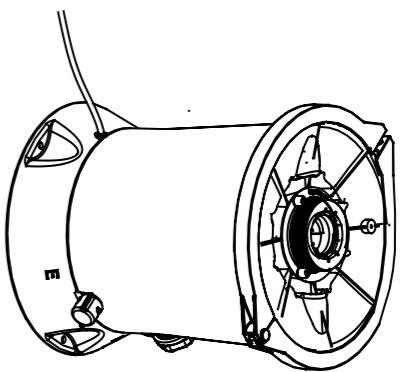
NOTE: this product is limited to those purposes described in the specification.

WARNING:The maximum total head:1.5m.

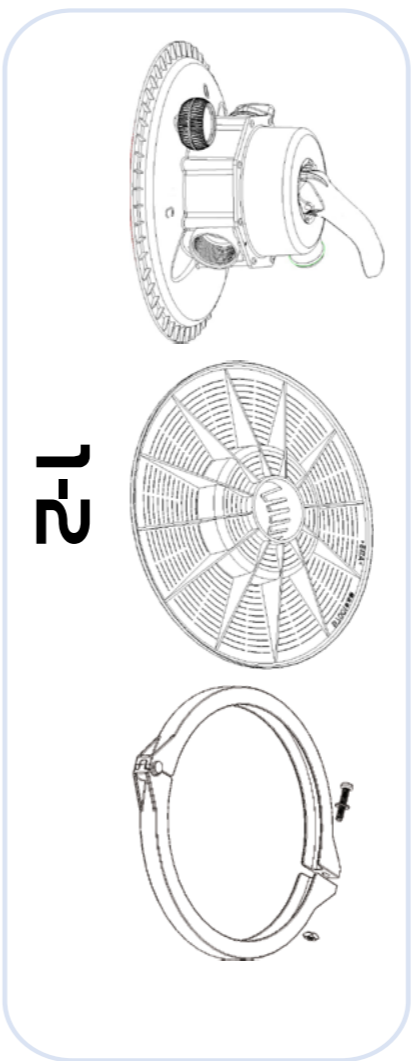
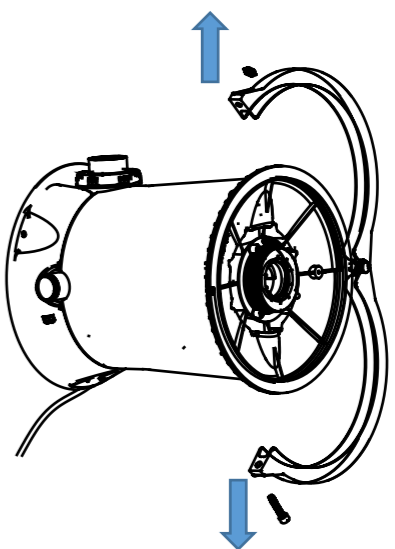
1



1-1-1



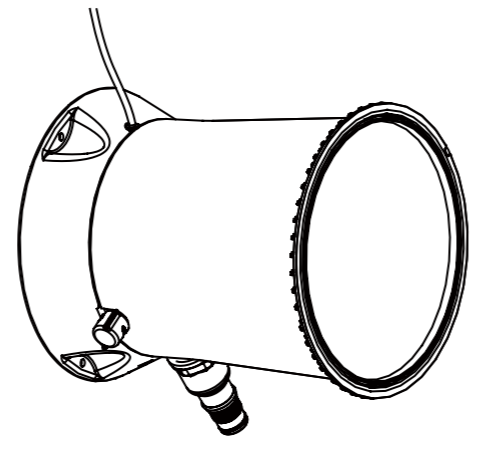
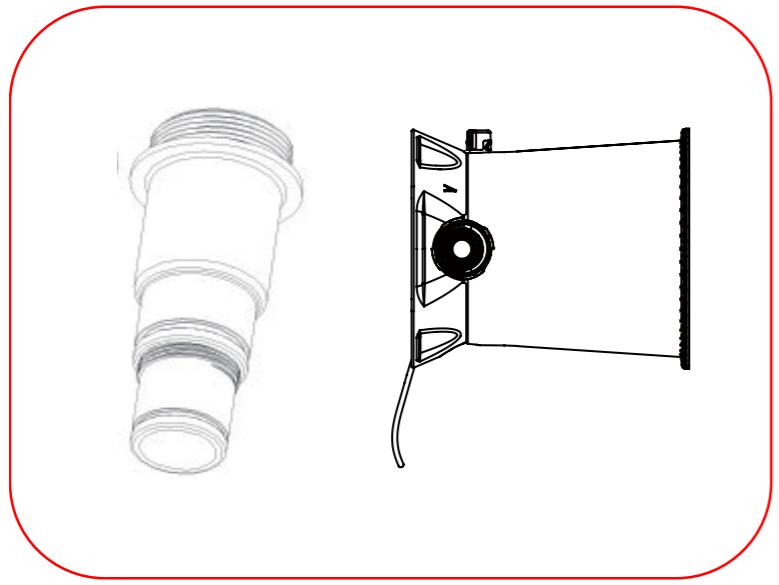
1-1-2



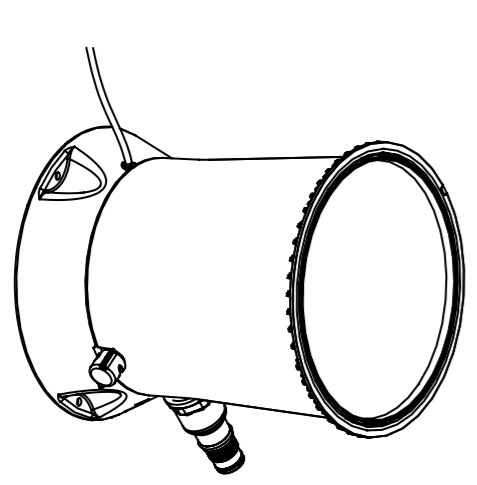
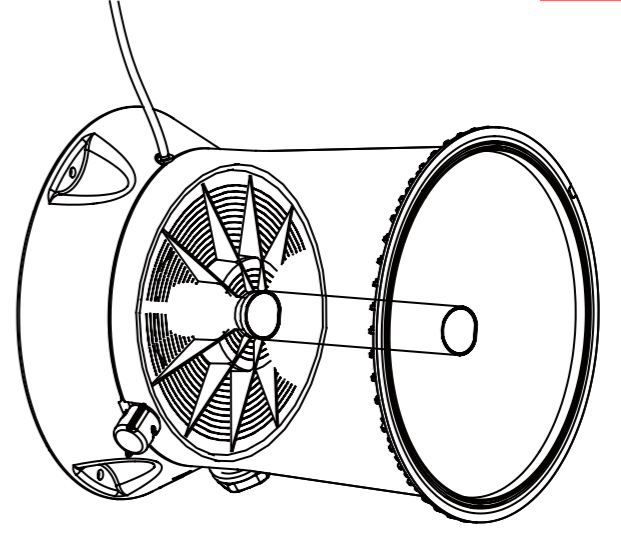
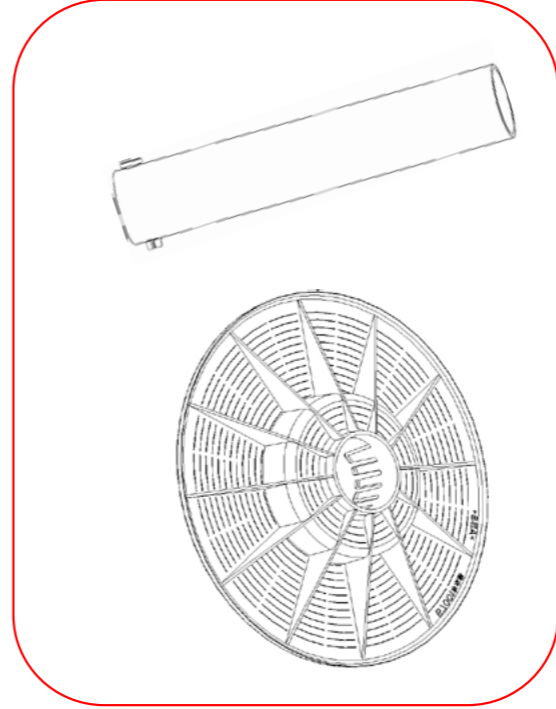
1-2

<p>395053</p>	<p>395059</p>	<p>395061</p>	<p>395069</p>
<p>395072</p>	<p>395064</p>	<p>395066 Ø38mm x2</p>	<p>395067 Ø32mm x4</p>
<p>395068</p>	<p>395063 Ø32/Ø38mm x2</p>	<p>395065 Ø38mm</p>	<p>JL290369 Ø32mm x2</p>

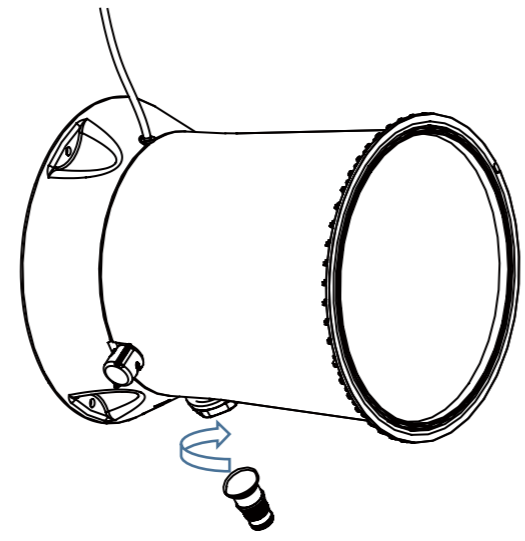
2



3

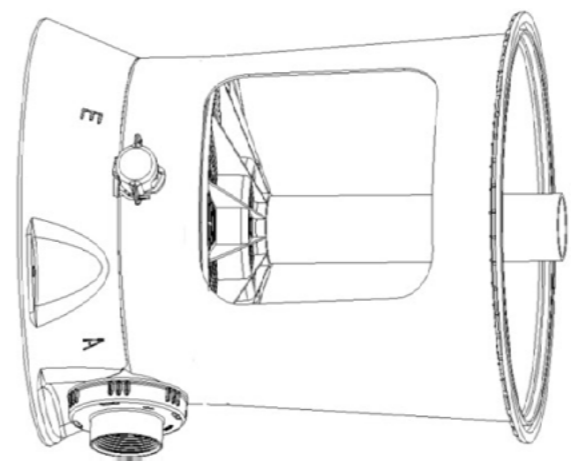


2-2

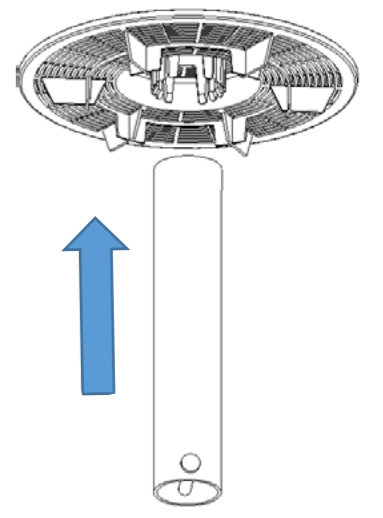


2-1

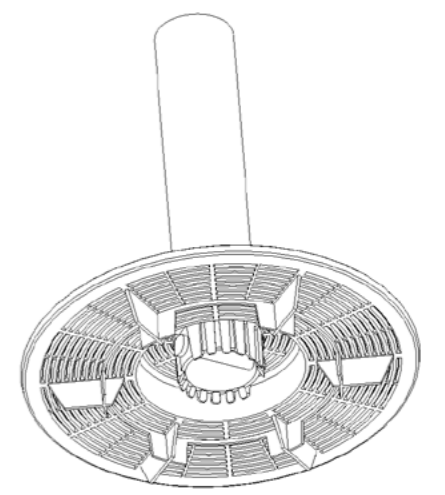
3-2

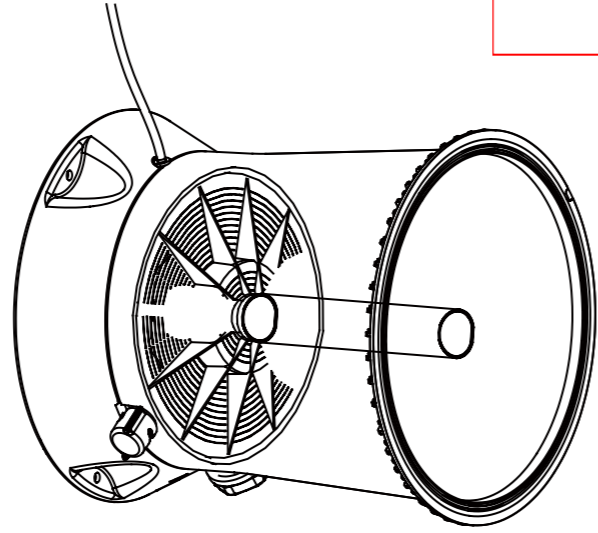
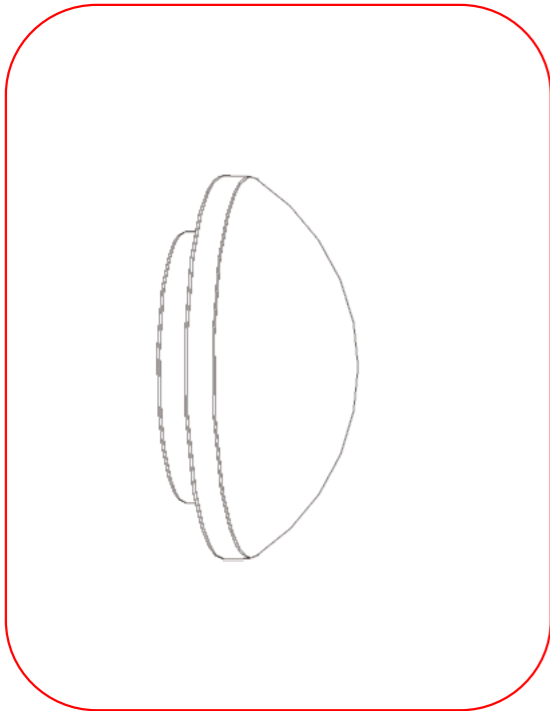


3-1-1



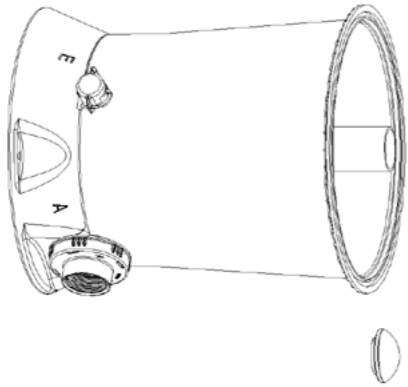
3-1-2



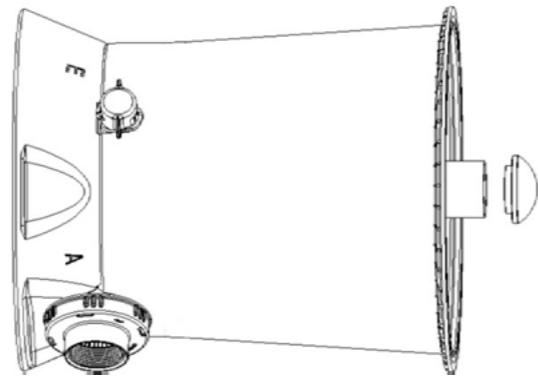


4

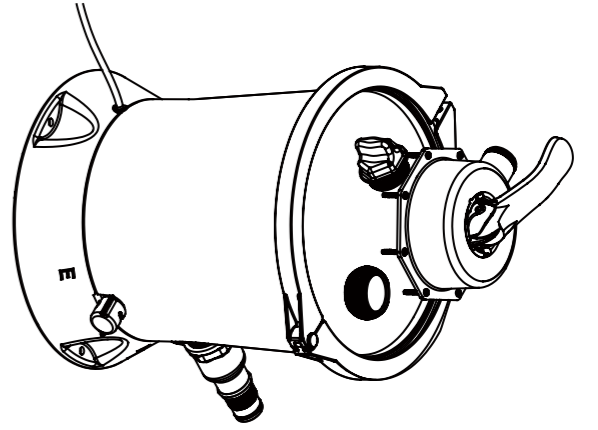
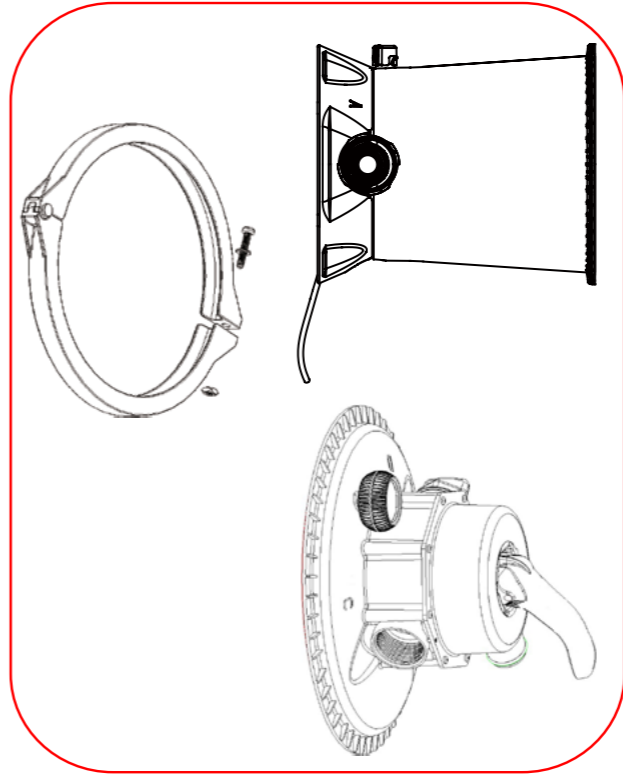
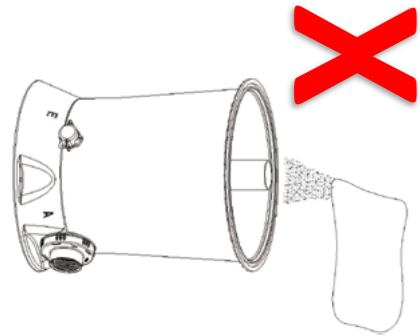
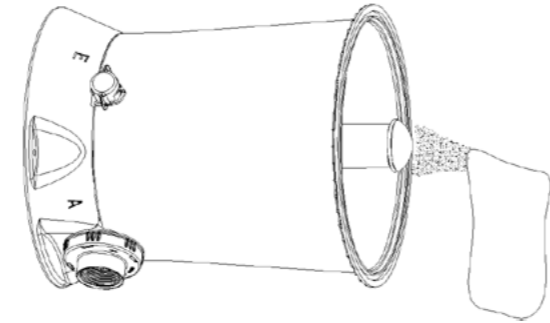
4-3



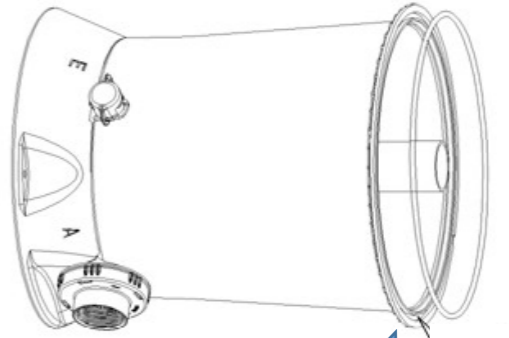
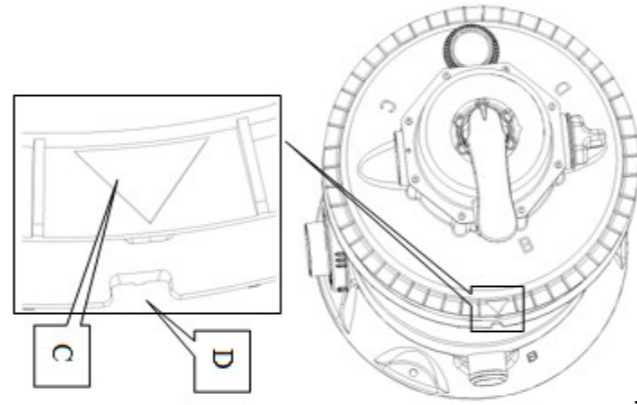
4-1



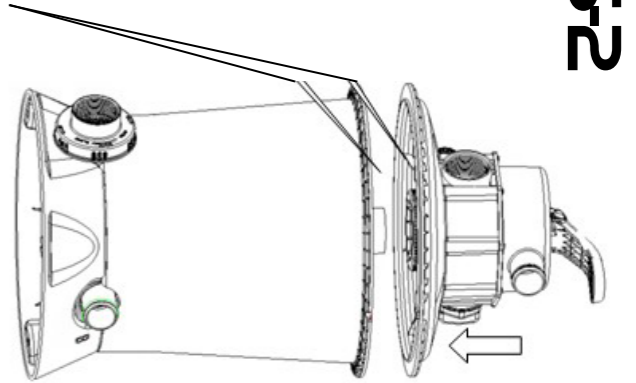
4-2



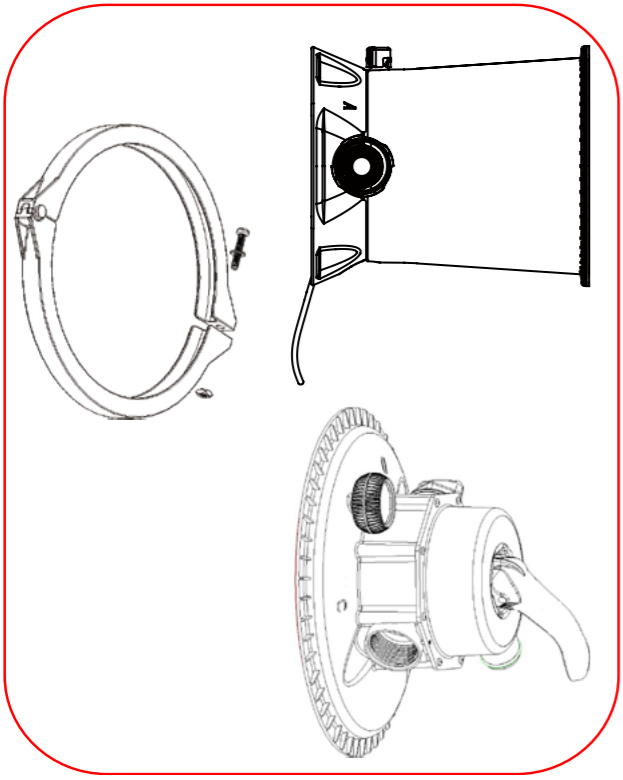
5



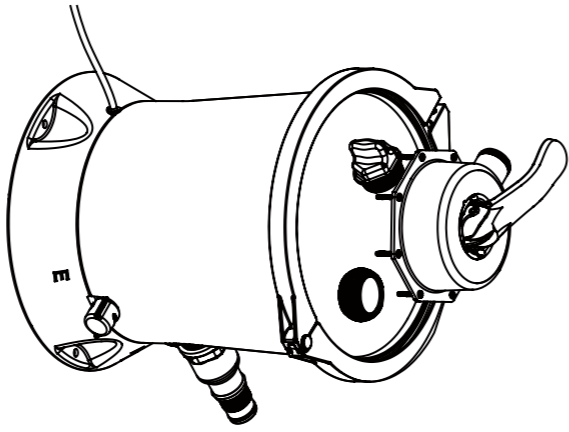
5-1



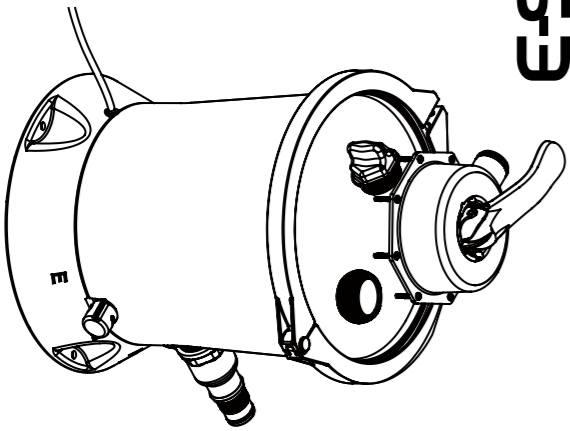
5-2



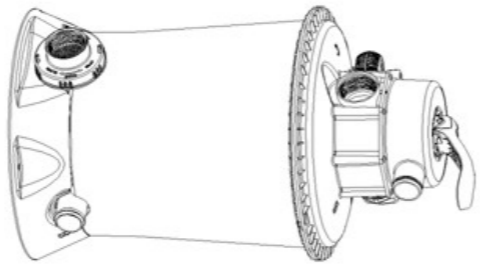
6



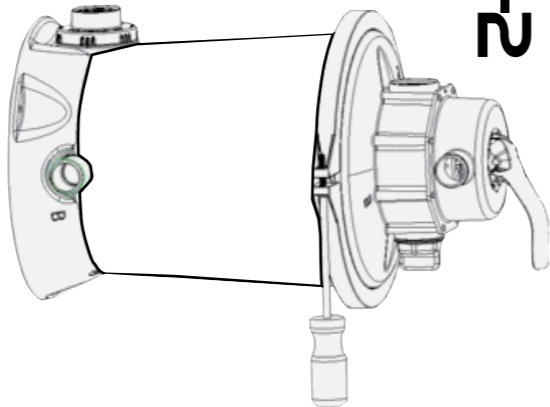
6-3



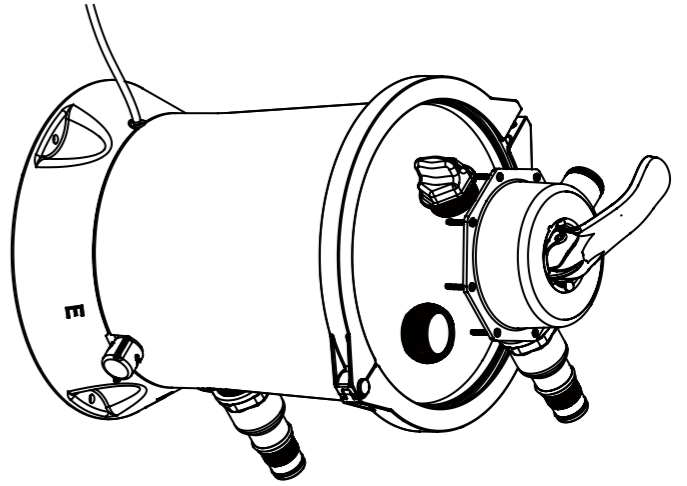
6-1



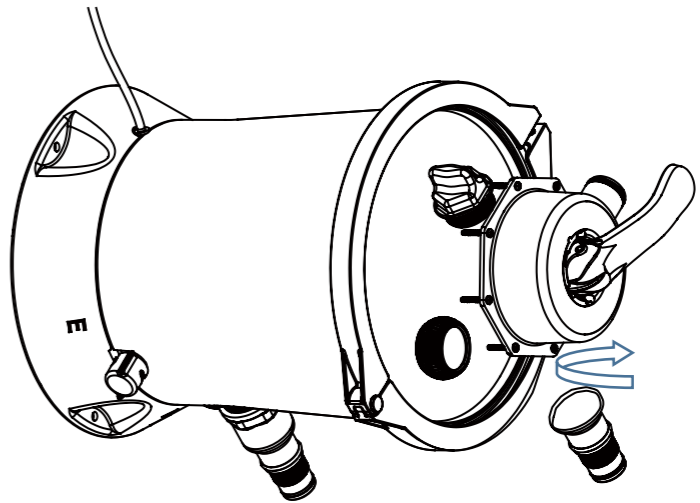
6-2



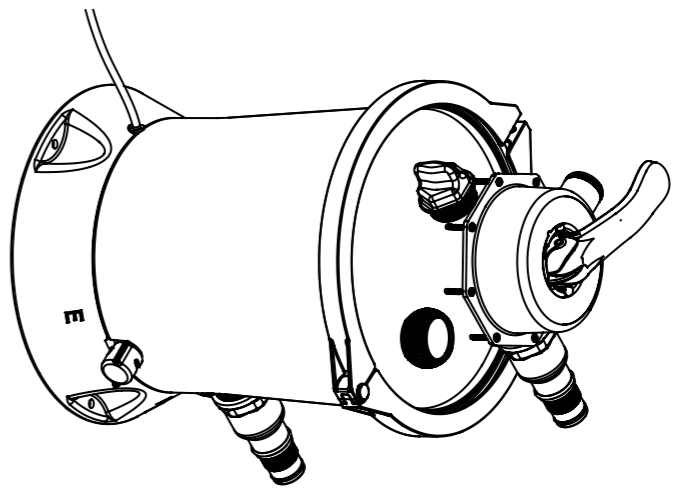
7

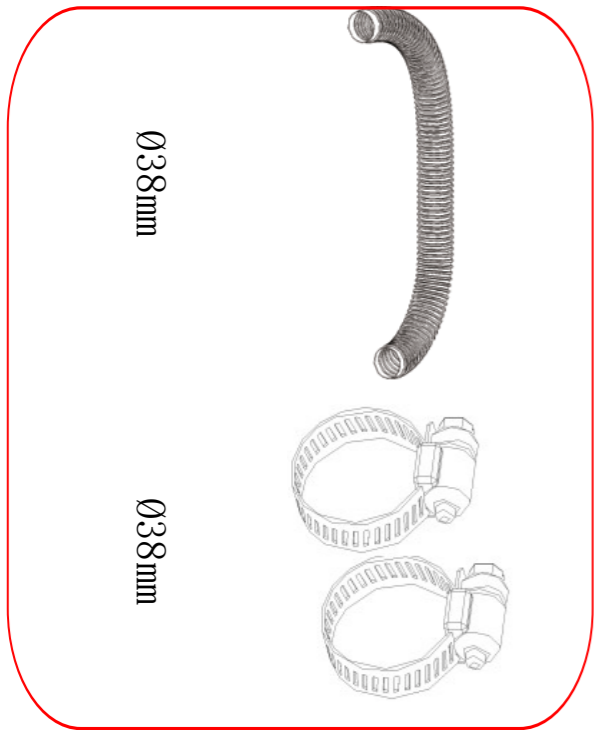


7-1

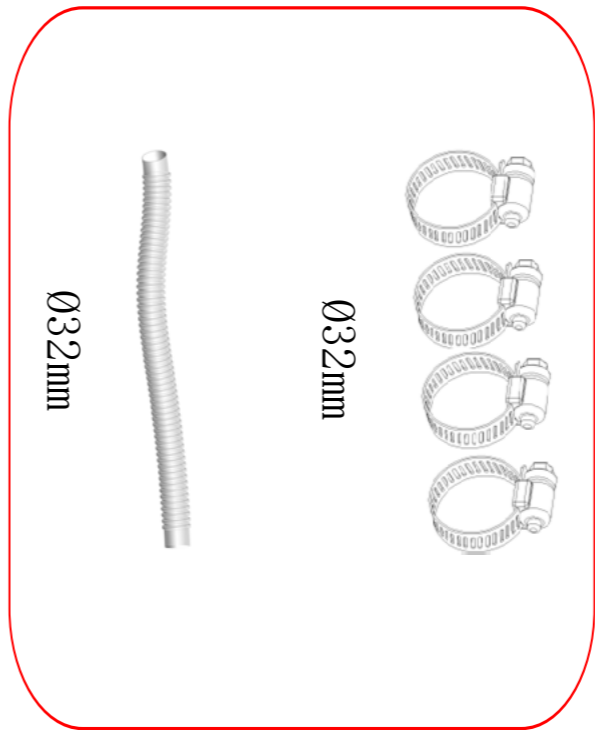
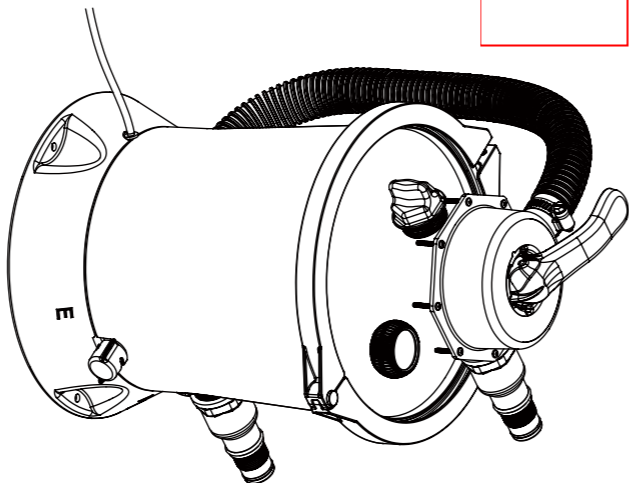


7-2

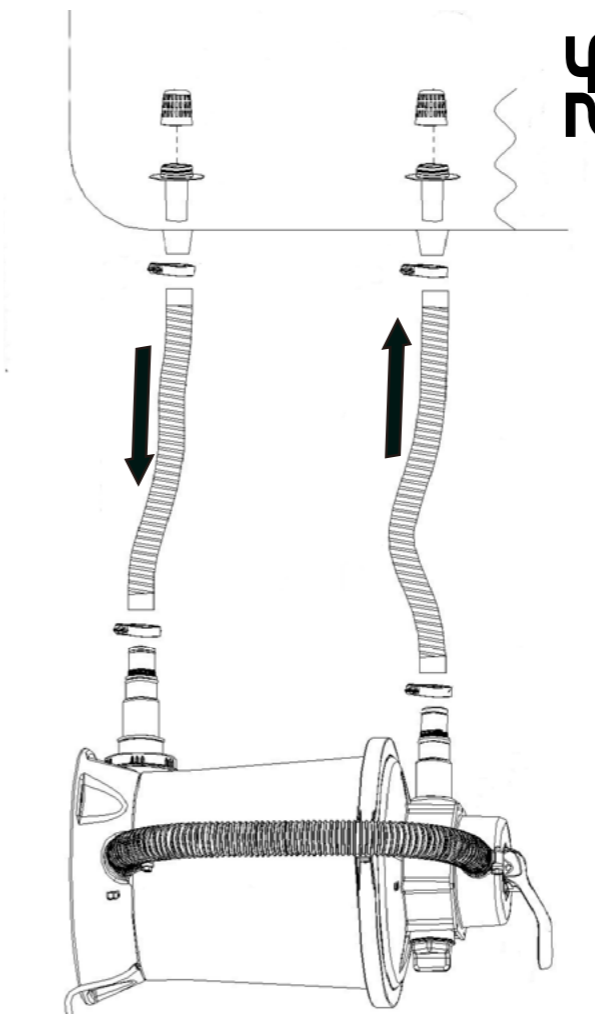
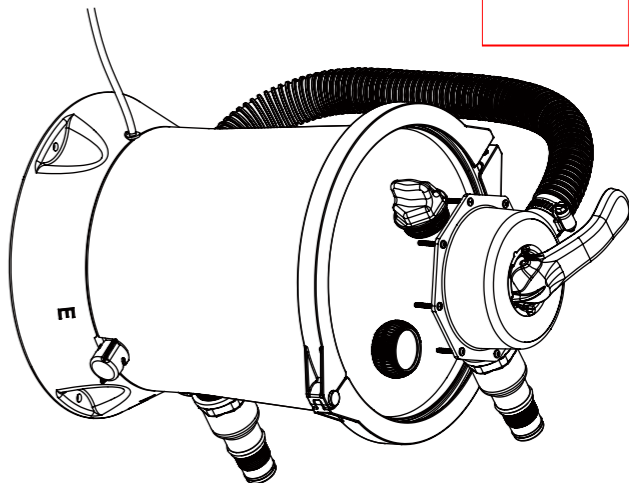




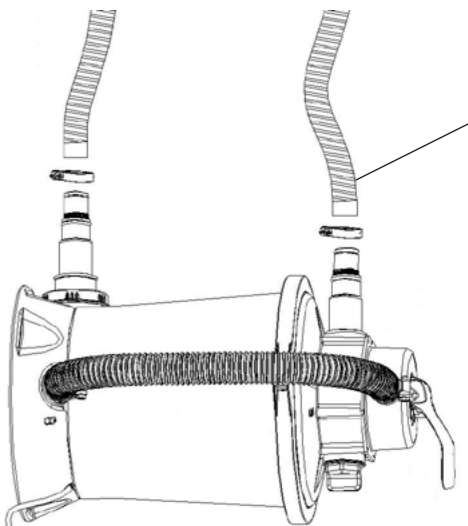
8



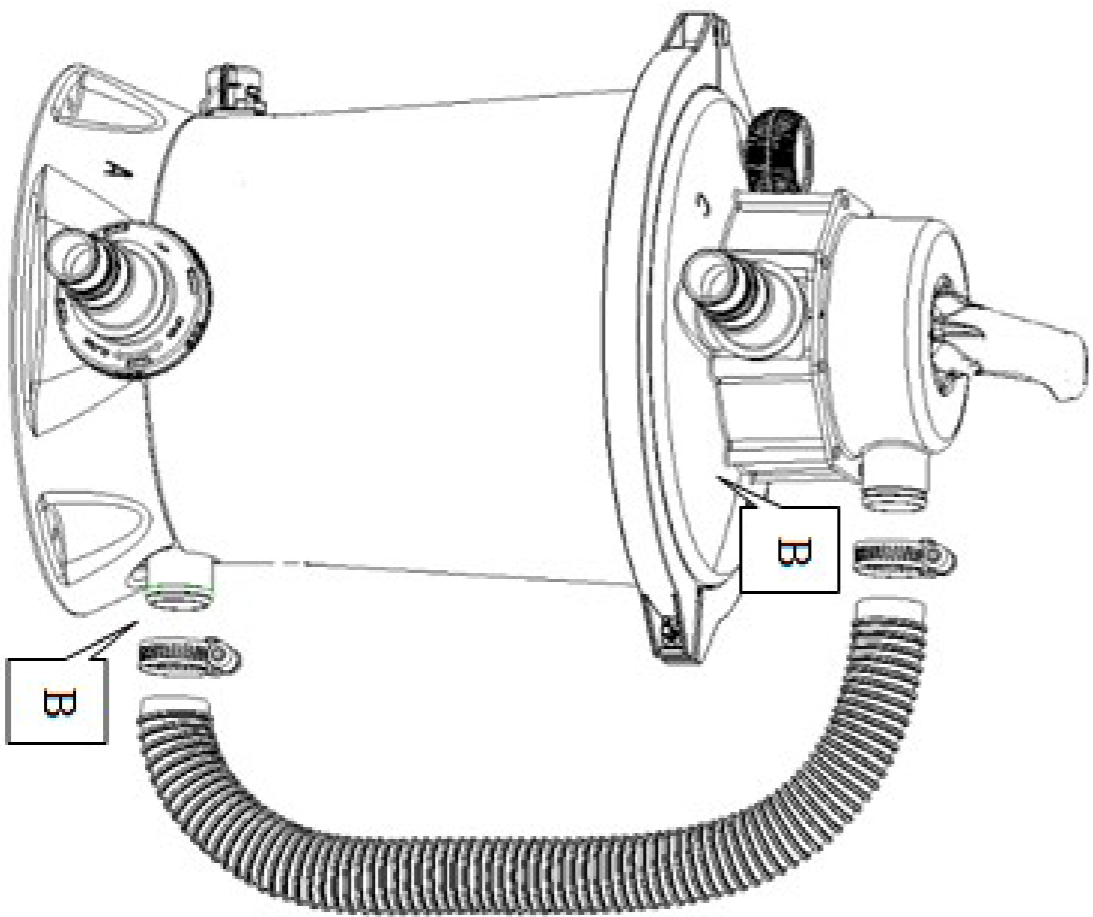
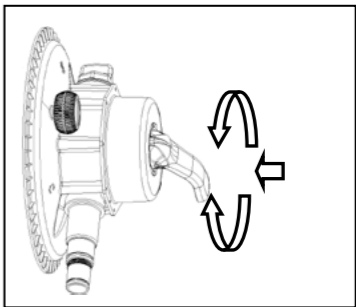
9

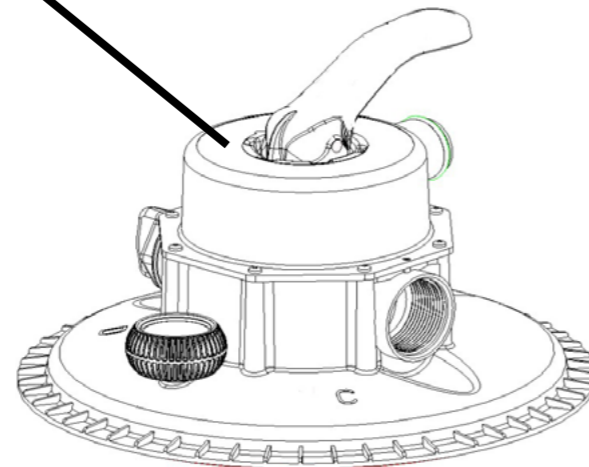
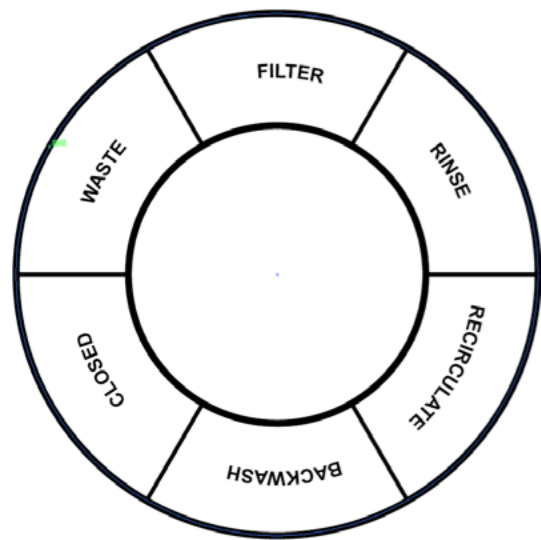


9-2



9-1





Location of control valve	Functions	Water flow direction
Filter	Normal filtering to rinse the pool	Water flows through the filter bed where the sand filter pump lies and then enters the pool
Backwash	Reverse-direction water flow to rinse the filter bed	Water flows through the filter bed where the sand filter pump lies and is then directly discharged from the drain outlet.
Rinse	This function is used for first startup. Sand in the sand tank is rinsed and the sand bed after backwashing is leveled.	Water flows through the filter bed where the sand filter pump lies and is then directly discharged from the drain outlet.
Drain	Discharged directly from the drain outlet, used to lower water level or discharge water from the pool	Discharged directly from the drain outlet of the sand filter pump without passing through the filter bed
Recirculation	Circulates pool water without passing through the filter bed.	Water flows directly into the pool through the control valve of the sand filter pump without passing through the filter bed
Closed	Closed water flow between the filter and the pool	/

Note: During the operation of the sand filter pump, check the pressure reading of the manometer.

Generally, when the pressure of the recommended sand filter pump is less than 0.2bar (3psi) (green area) , it runs normally.

Note: You must make sure that maintenance begins only after the sand filter pump is unplugged. Otherwise serious risks such as personal injury and even death may occur.

Note: Record the reading of the manometer during the operation of the sand filter pump. When the manometer shows a pressure of 0.2bar (3psi) or higher, please clean up the sand bend or replace the sand. Use "backwash" and "rinse" functions.

Note: regular rinsing according to use situation is recommended.



Long-term storage and storage in winter

Using the product in a frozen pool may damage the product and invalidate the quality warranty. If the product has to be used with antifreeze, propylene glycol may also be used. Propylene glycol is a nontoxic chemical unharmed to any plastic parts. Other types of antifreeze are highly toxic and may be harmful to the product's plastic elements.

1. Before discharging the water or repositioning of the pool, make sure the discharge direction is towards the discharging ditch and away from the home. Review local regulations for special water treatment requirements.
2. Switch off the product and remove the power plug.
3. After emptying, remove all connected sand filter pumps, corrugated tubes and filter hoods on the pool wall.
4. Unscrew the drain valve (8) in an anticlockwise direction to completely empty water inside the body. The drain plug is at the bottom of the body.



5. Dry the parts of the sand filter pump and corrugated tubes.
6. Lubricate the seal rings and washers in the order below for long-term storage.
7. The best practice for product storage is to dry the parts and motor and replace them in the original package. To avoid shrinkage or corrosion, do not cover or wrap the motor with a plastic bag.
8. Please store the motor and parts in a dry place at 32°F (0°C) ~104°F (40°C).

Diagnosis of Problems and Solutions

Problems	Checking	Solutions
The motor can not be started normally	Power plug not properly inserted Leakage protection disconnected Motor overheated or overloaded Causes motor to stop	Make sure the power cord is inserted into the 3-core grounded metal receptacle. Reset circuit breaker. If the problem persists, the power system may be defective. Power off immediately and confer with an expert. Allow the motor to cool naturally and start it again.
Filter Unable to rinse the pool	No sand in the body Location error of the control valve Excessive dirt in water Filter barrel blocked	Sand filling Refer to sand filling instructions The control valve rotates to the filter position to prolong the running time Clean the filter barrel
The filter is unable to discharge water or the water flow rate is too slow	There is blockage at the inlet There is an air leakage at the gap of the inlet Excessive dirt in water Filter medium is blocked by impurities The pool is connected with a cleaning device	Check and clear away the blockage in the water pipes Tighten the nozzle nuts and check the damaged point of the nozzle and water height Clean the filter screen Backwash Disassemble the cleaning device connected to the pool
Filter fails to run	Water level is too low Filter screen is blocked Air leakage from the inlet pipe Motor or blade is blocked	Inject water to adjust water level Clean the filter screen in the pool Tighten the nozzle and check the damaged point Replace the fittings
Water leakage on the control valve or upper cover	The seal ring of the body is lost or too dirty The control valve retainer is not tightly secured or damaged	Remove the upper cover of the control valve and sleeve the seal ring of the body Clean the seal ring of the body with a water pipe Tighten the screw with a screwdriver Replace the fittings
The manometer fails to run	The inner wall of the manometer is blocked The manometer is damaged	Remove the manometer from the control valve and clear away the impurities on the inner wall Replace the fittings
Sand enters the pool	The sand particles are too fine	Use 20# quartz sand only Particle size of the sand is 0.45-0.85mm Or replace the sand