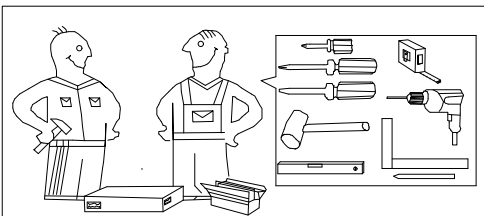
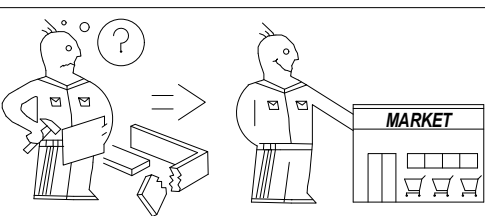
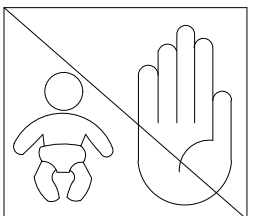
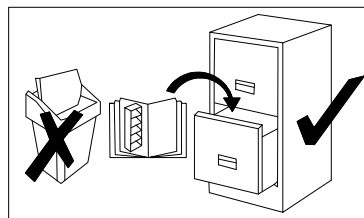
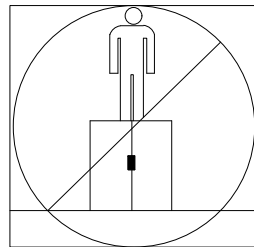
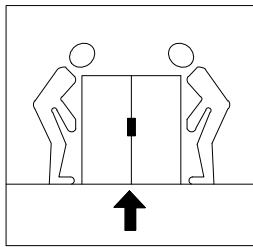
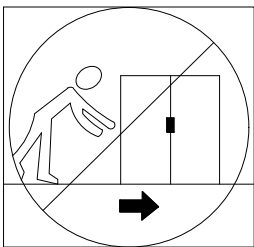
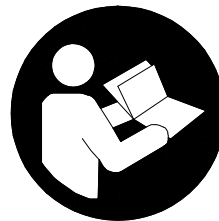
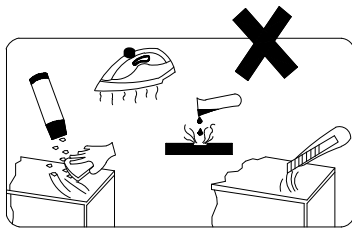
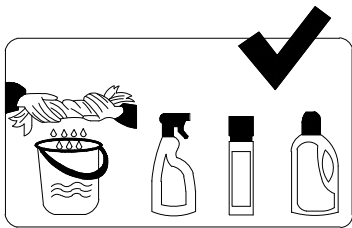
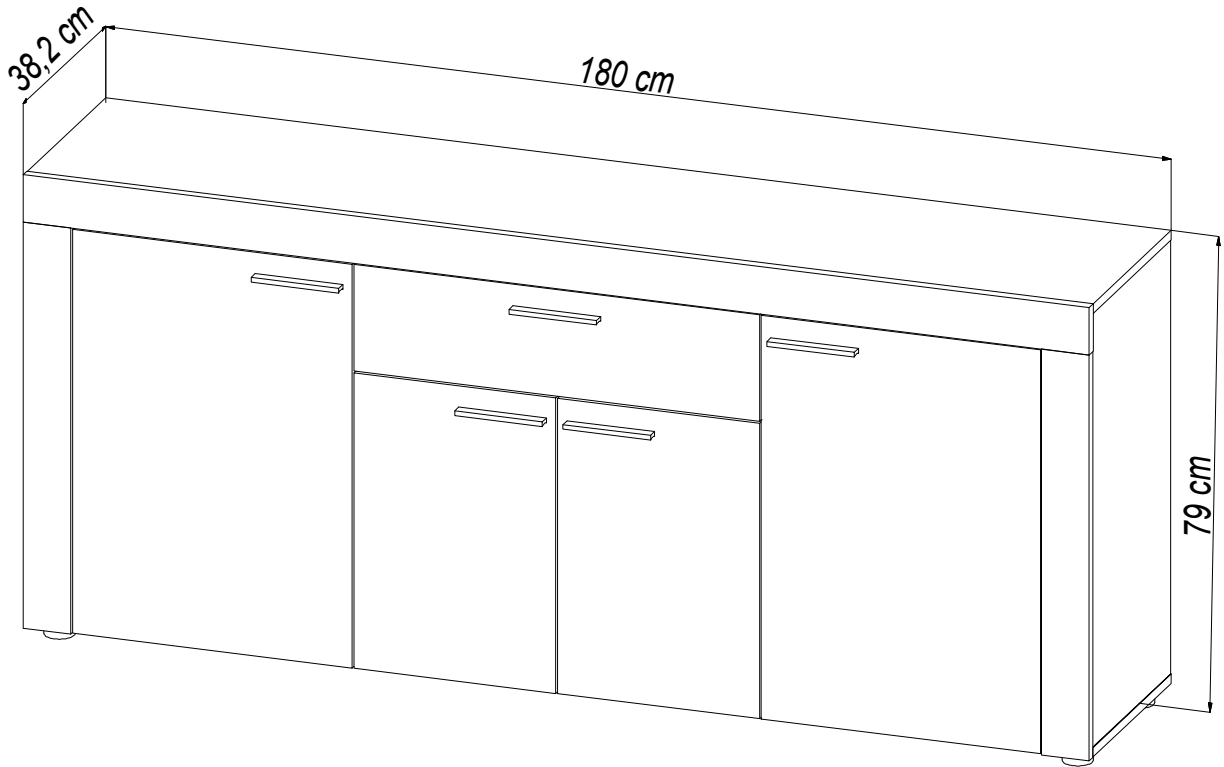
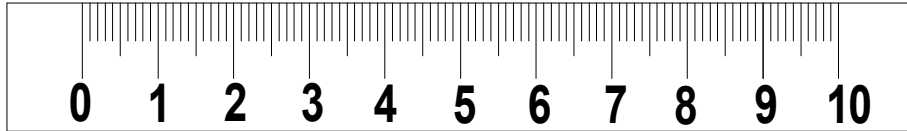


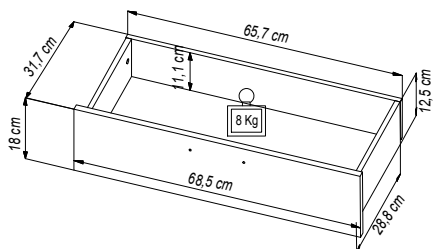
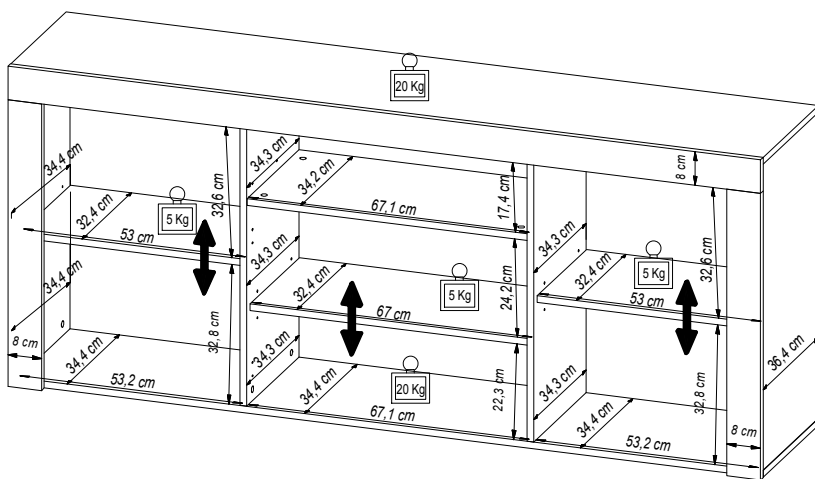
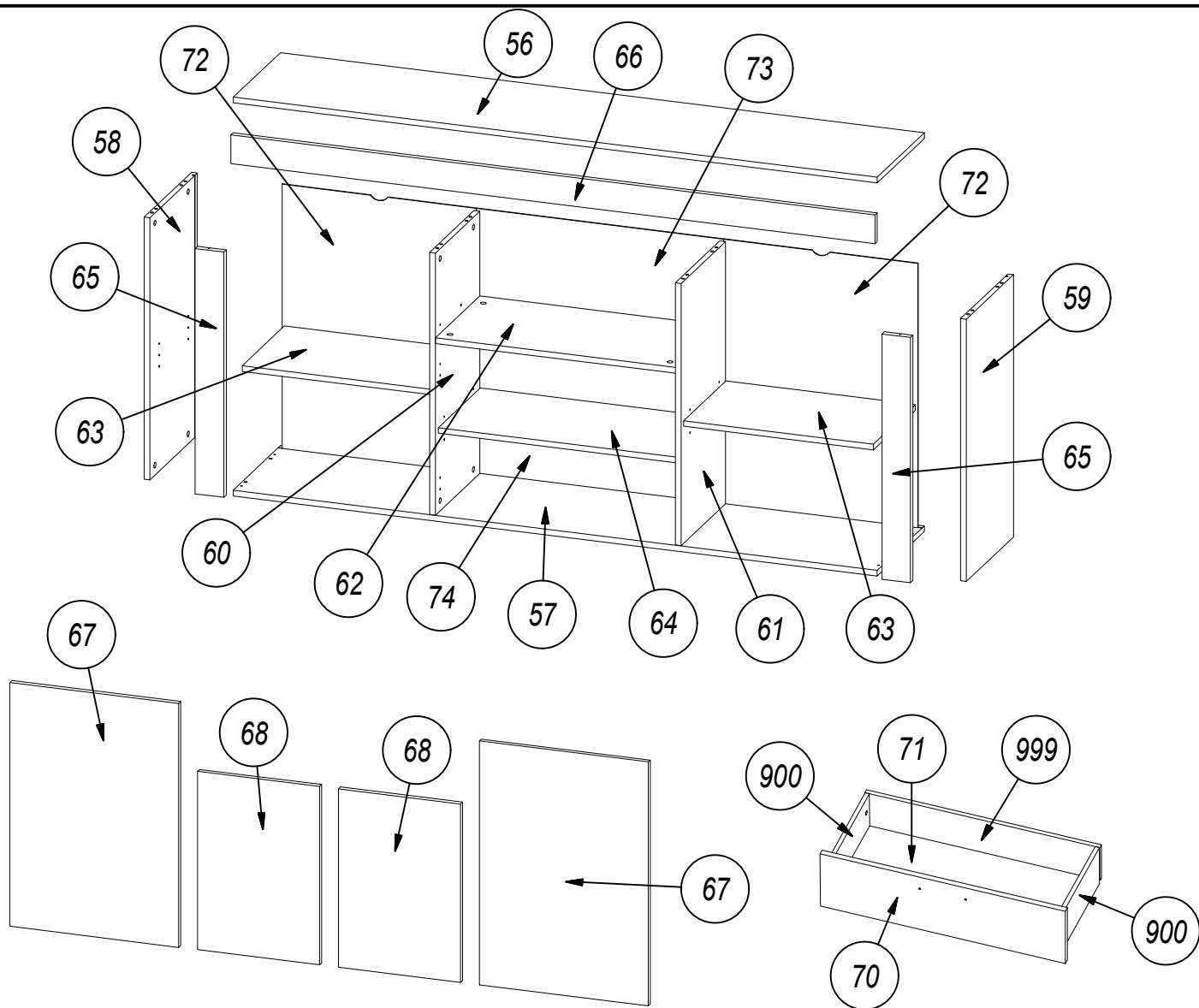
BOOST

44-166-AG



BOOST

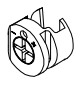
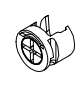
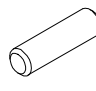
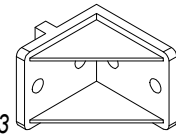
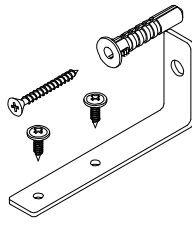
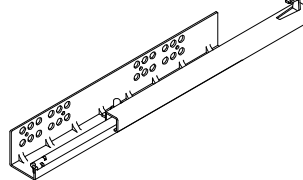
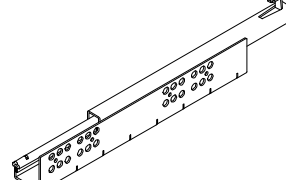
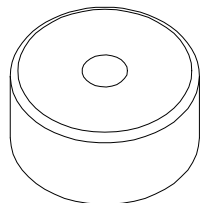



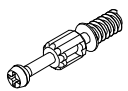
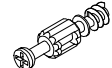


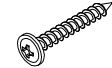
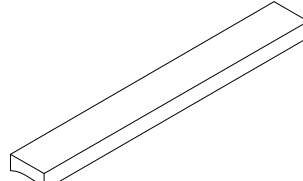
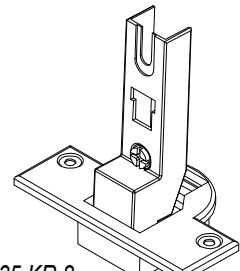
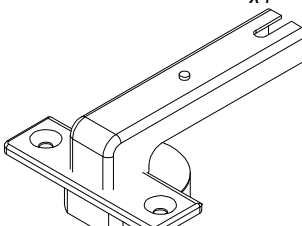

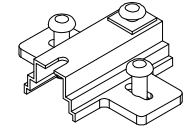
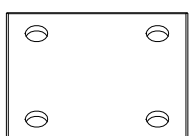
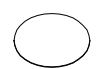

44-166-AG

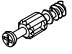

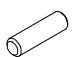


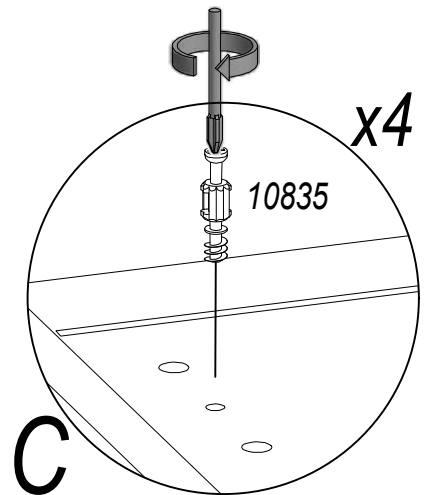
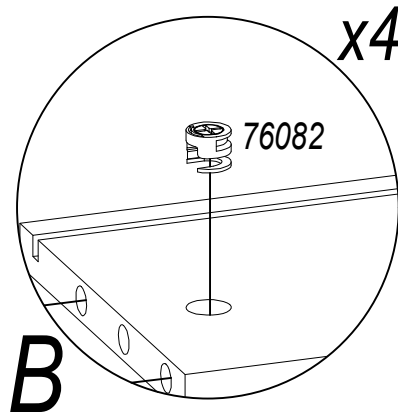
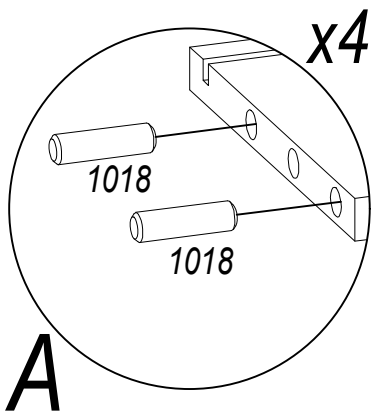
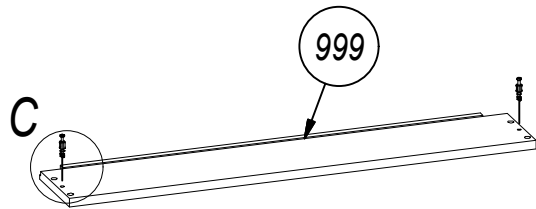
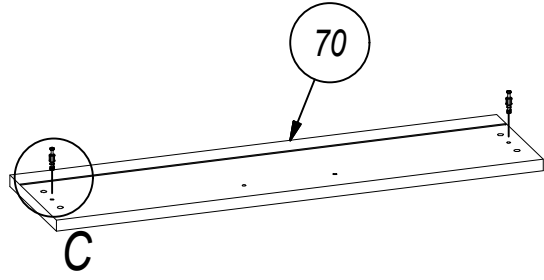
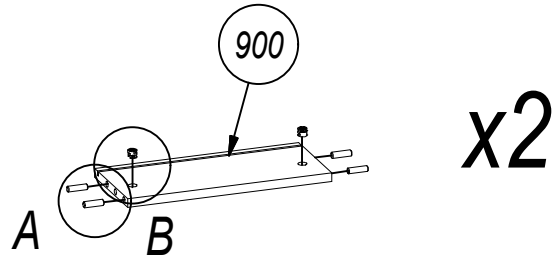
AI No.	Qty	H	W	D	PKG
56	1	1800	364	16	2/2
57	1	1800	364	16	2/2
58	1	733	364	16	2/2
59	1	733	364	16	2/2
60	1	733	343	16	2/2
61	1	733	343	16	2/2
62	1	671	342	16	1/2
63	2	530	324	16	1/2
64	1	670	324	16	1/2
65	2	686	80	18	2/2
66	1	1801	80	18	2/2
67	2	682	472	15	1/2
68	2	499	341	15	1/2
70	1	685	180	16	1/2
71	1	641	299	3	1/2
72	2	745	543	3	1/2
73	1	690	250	3	1/2
74	1	690	493	3	1/2
900	2	288	125	12	1/2
999	1	657	125	12	1/2

BOOST

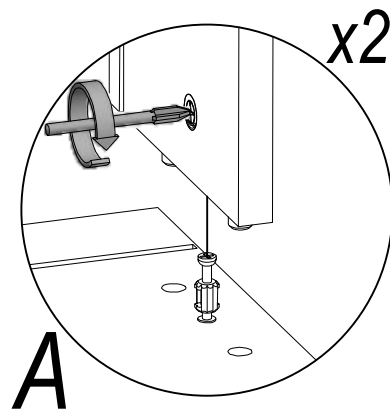
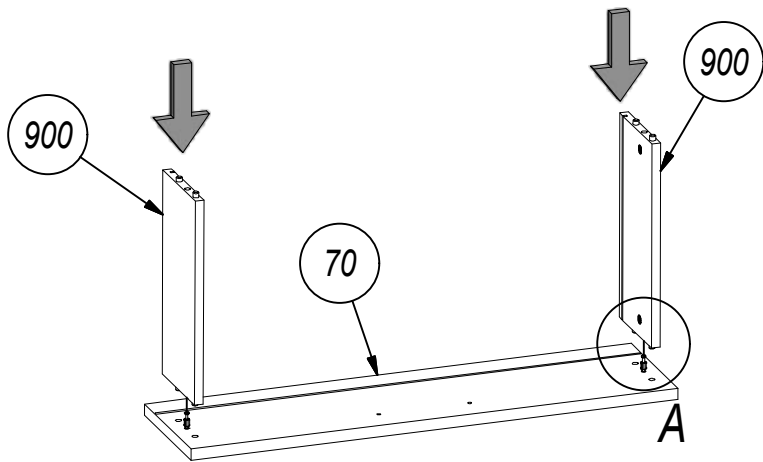
44-166-AG

 <p>x20 Ø15x12,5 123894</p>	 <p>x4 Ø12x10 76082</p>	 <p>x28 Ø8x28 1018</p>	 <p>x13 30x30x3 23482</p>
 <p>x2 1267</p>	 <p>x1 L-300 144013</p>	 <p>x1 L-300 144014</p>	 <p>x6 PLASTIC 1005</p>
 <p>x12 1289</p>	 <p>x15 23x10x2 1415</p>	 <p>x28 1302</p>	 <p>x20 L-11 mm 11809</p>
 <p>x4 L-8,5 mm 10835</p>	 <p>x4 EURO S Ø6x9,5 1007</p>	 <p>x6 UP Ø4x22 24179</p>	 <p>x10 UP Ø4x30 1012</p>
 <p>x5 PLASTIC 151543</p>	 <p>x4 Ø35 KR 8 22311</p>	 <p>x4 Ø35 90° 49365</p>	 <p>x78 US Ø3,5x13 1011</p>
 <p>x8 H-4 23515</p>	 <p>x2 48x48x2 1021</p>		 <p>x12 Ø20 151499</p>
 <p>x15 UP Ø3x20 1056</p>			

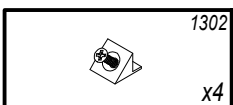
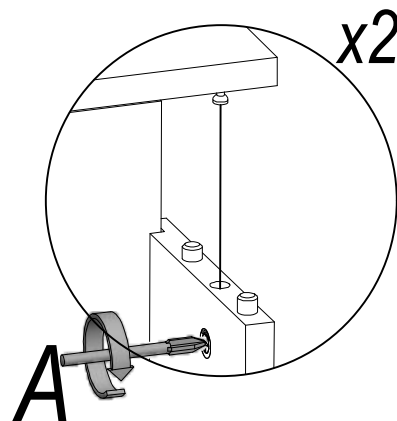
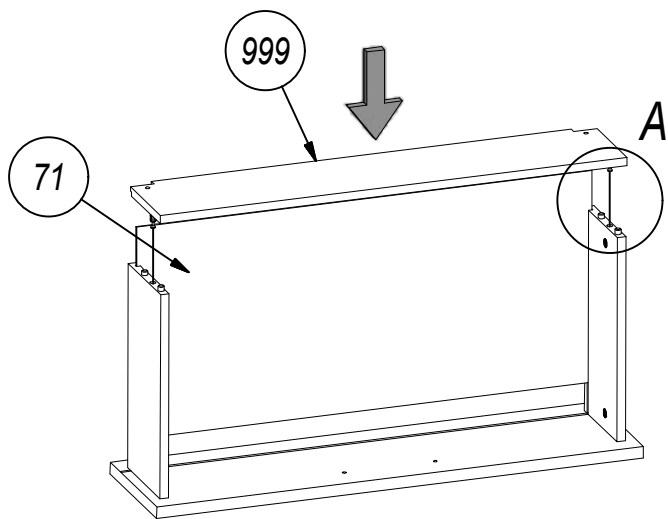
L-8,5 mm	10835
	x4
Ø12x10	76082
	x4
Ø8x28	1018
	x8



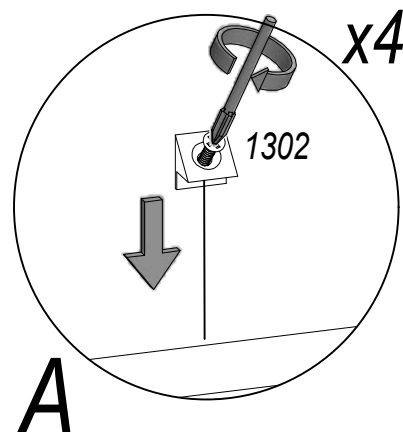
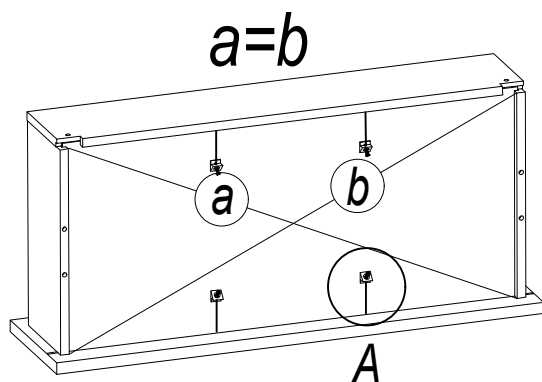
2


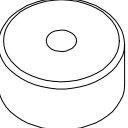



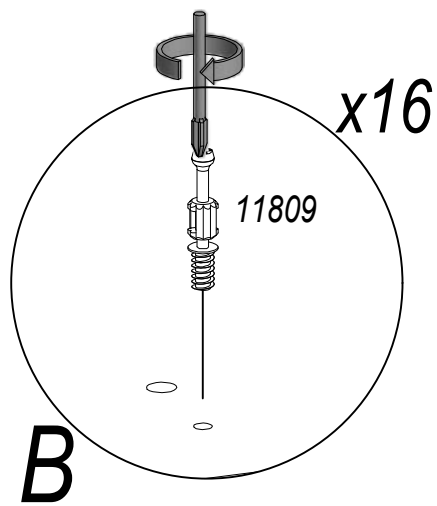
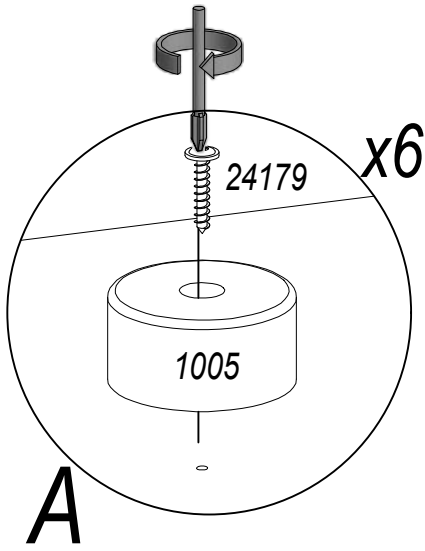
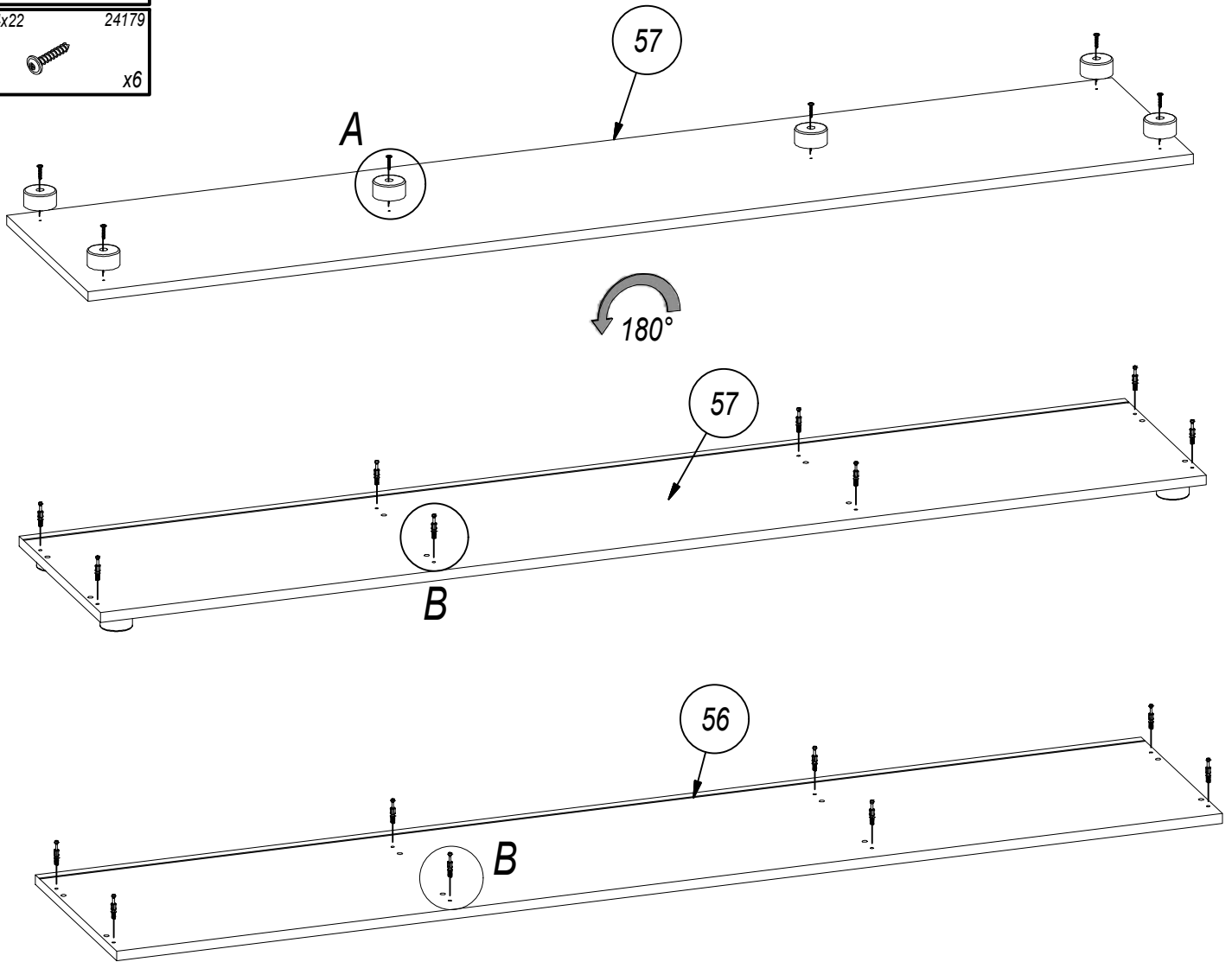
3

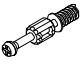
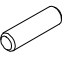



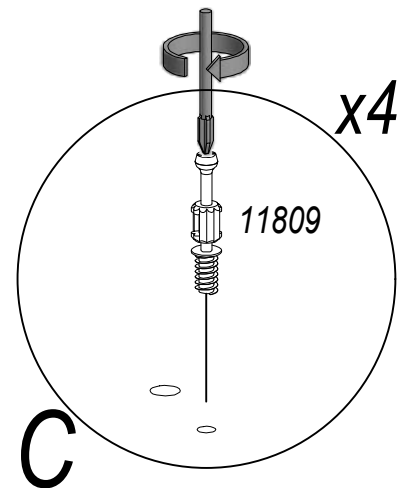
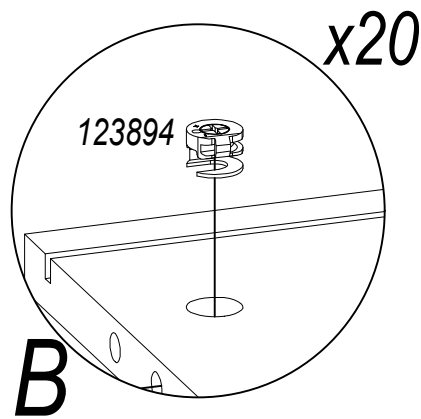
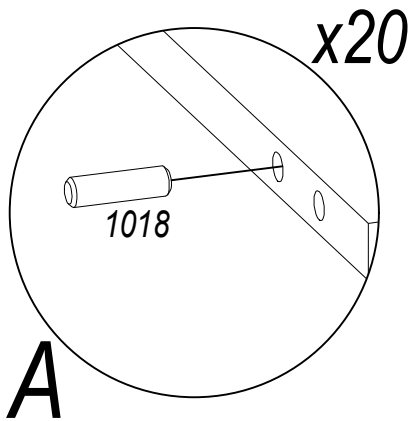
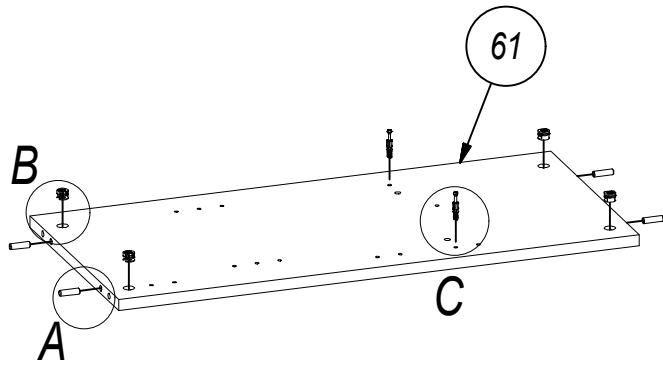
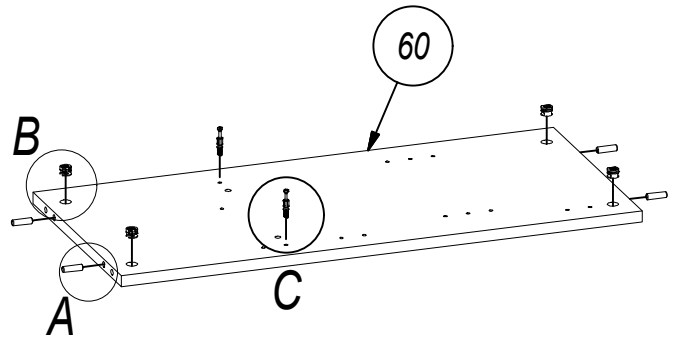
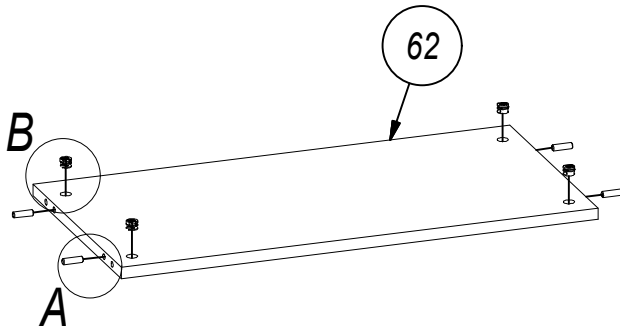
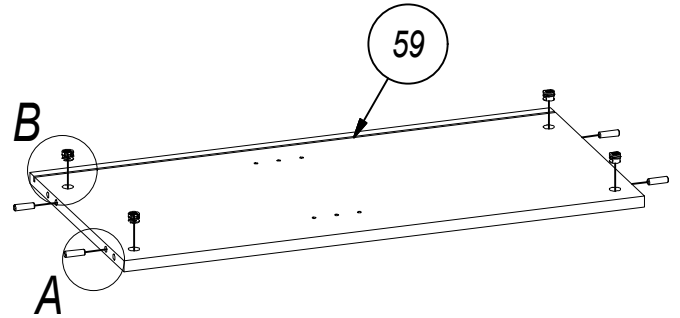
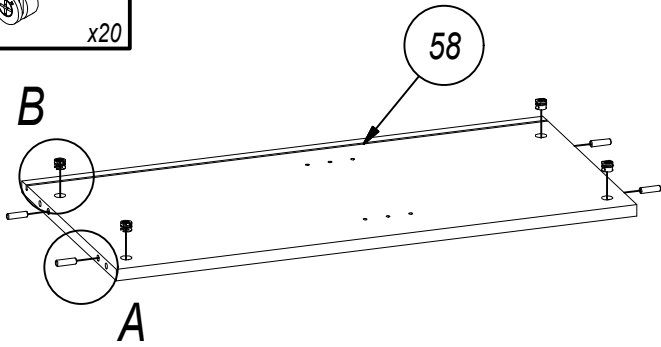
4

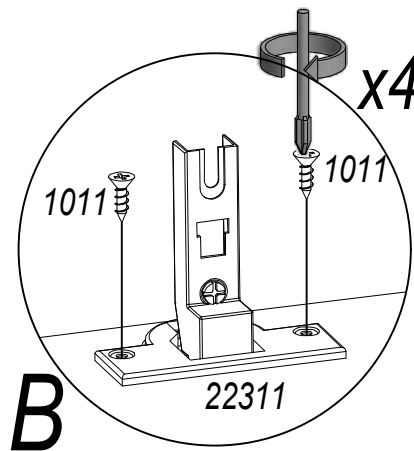
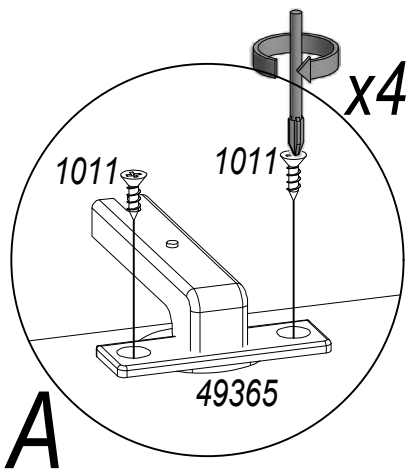
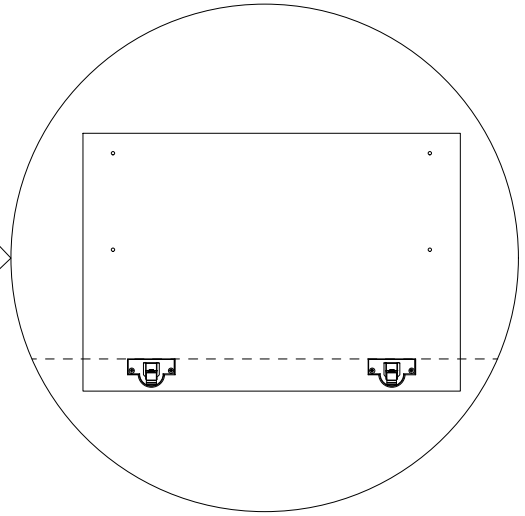
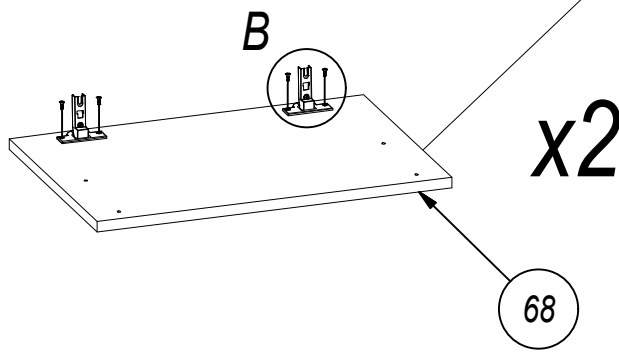
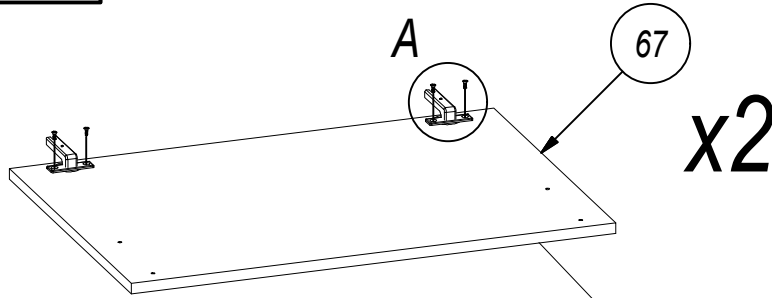
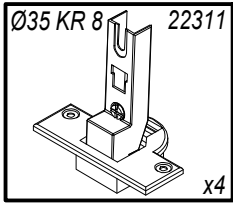
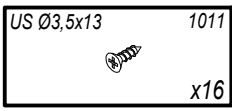
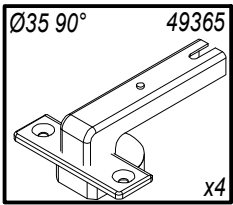


L-11 mm	11809
	x16
PLASTIC	1005
	x6
UP Ø4x22	24179
	x6



L-11 mm	11809
	x4
Ø8x28	1018
	x20
Ø15x12,5	123894
	x20



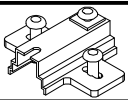


US Ø3,5x13 1011



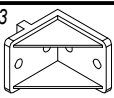
x26

23515

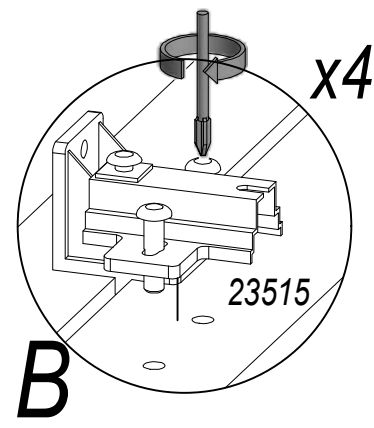
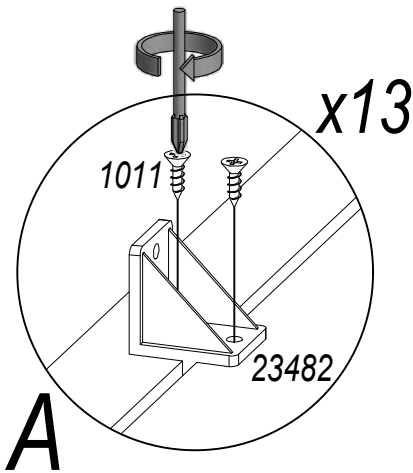
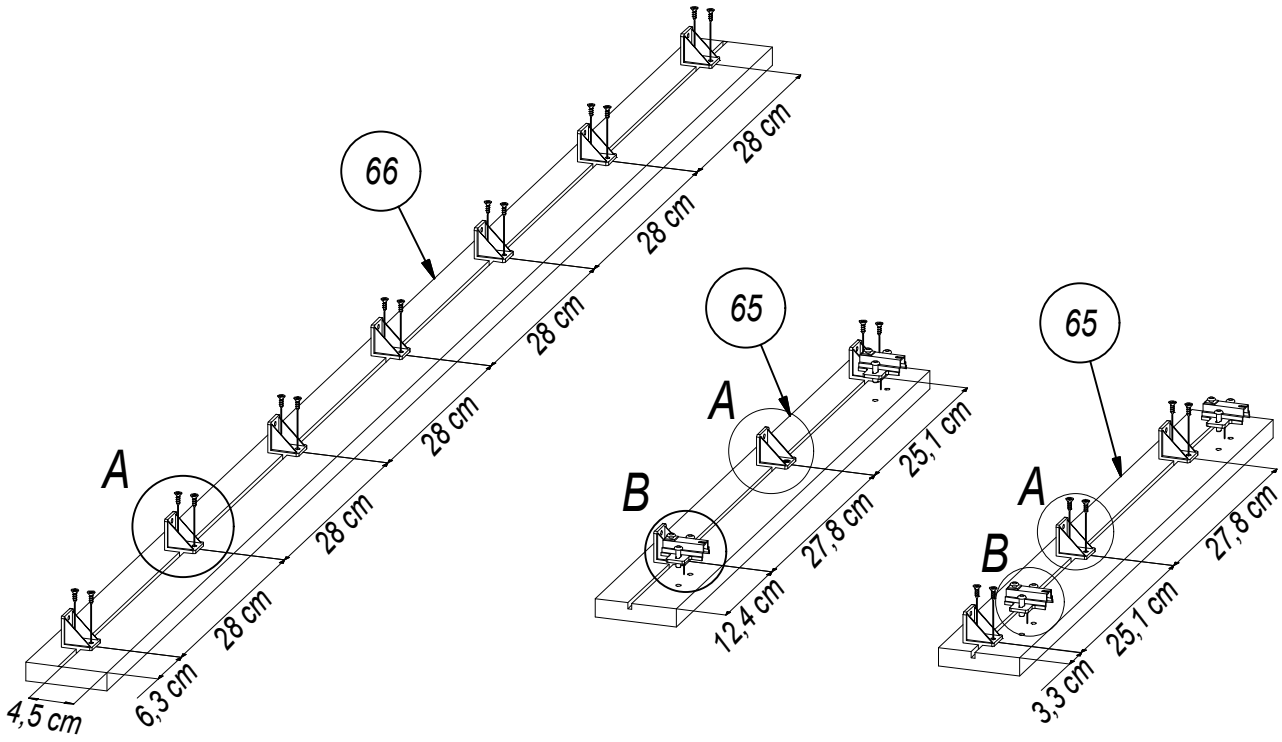


x4

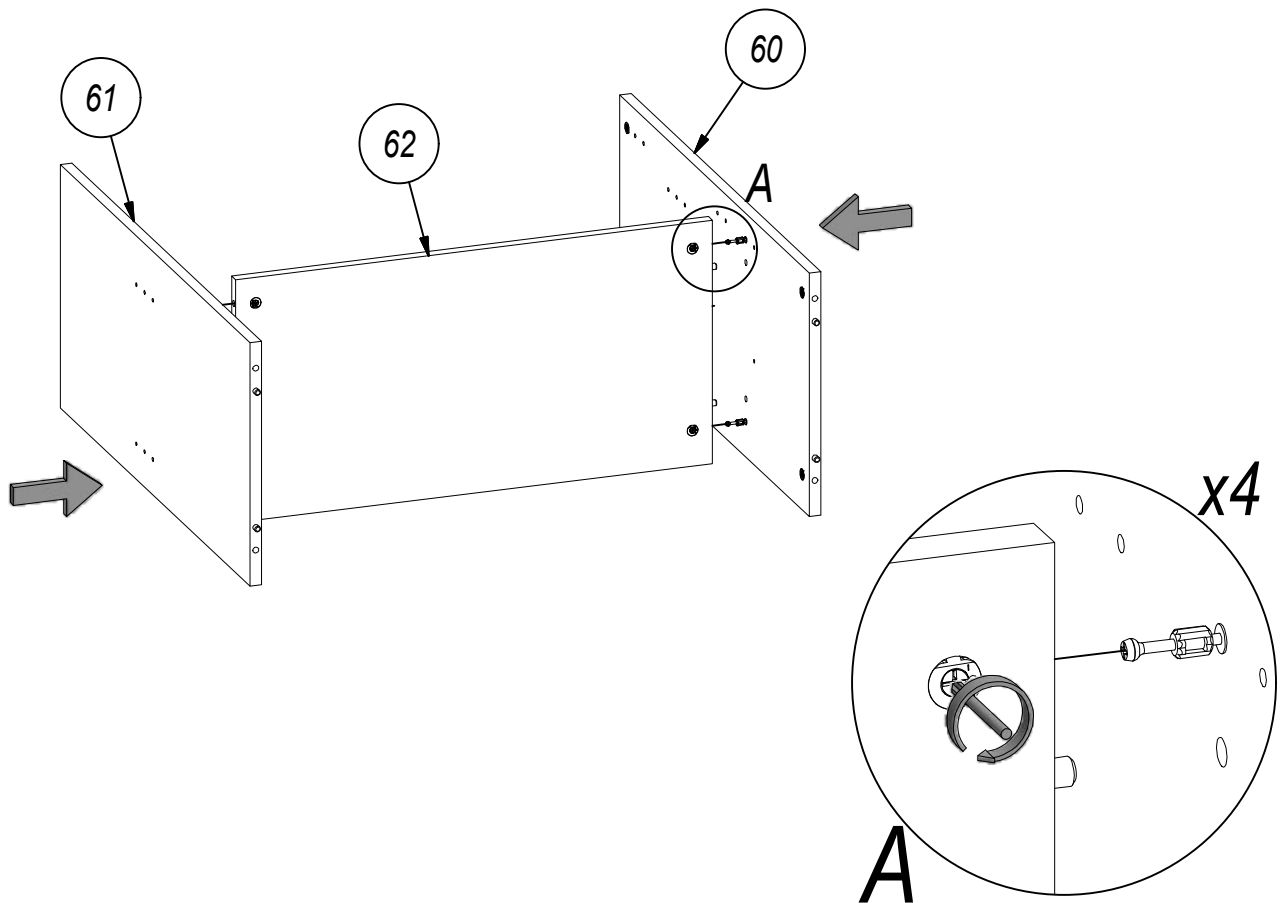
30x30x3 23482



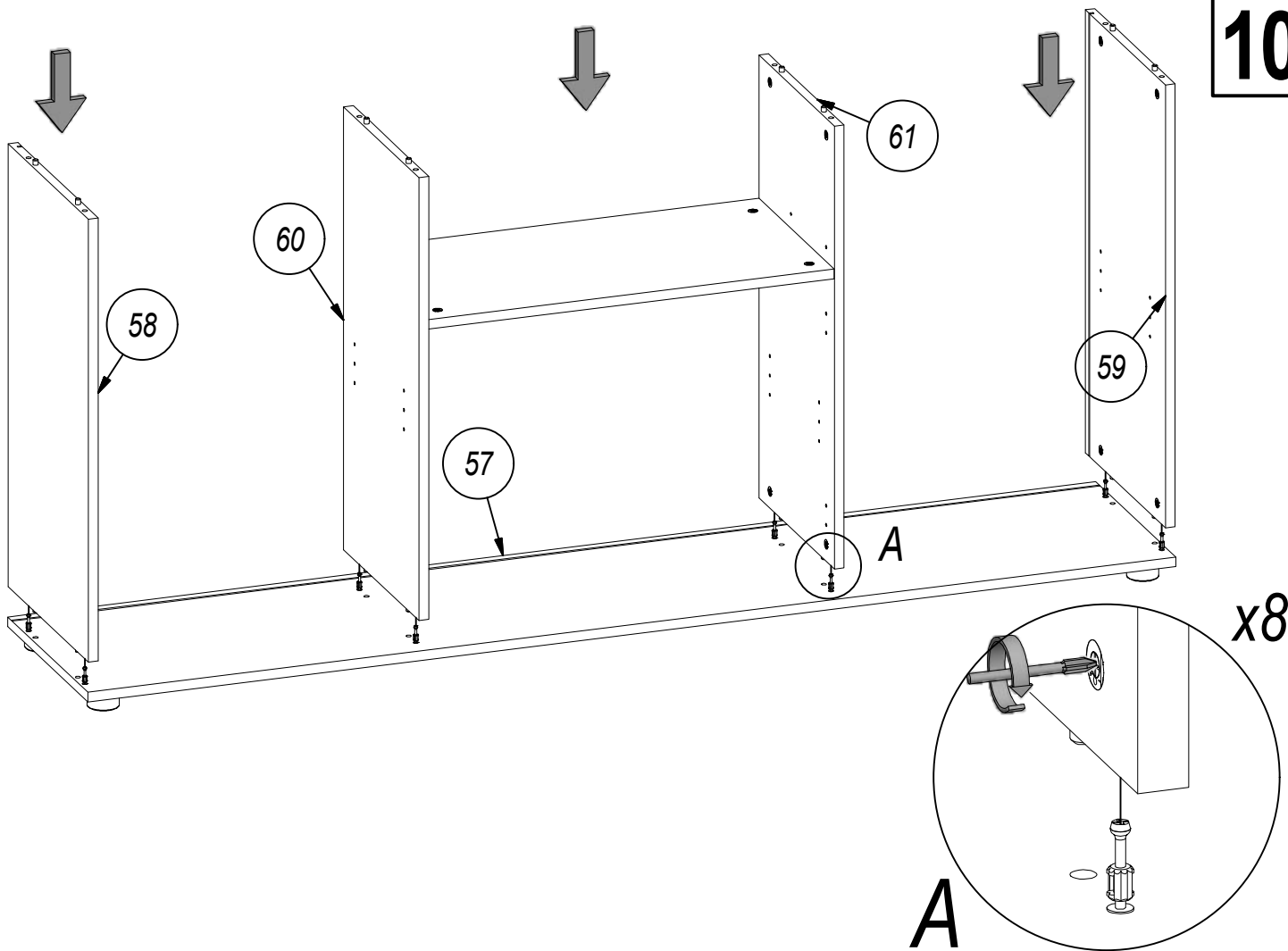
x13



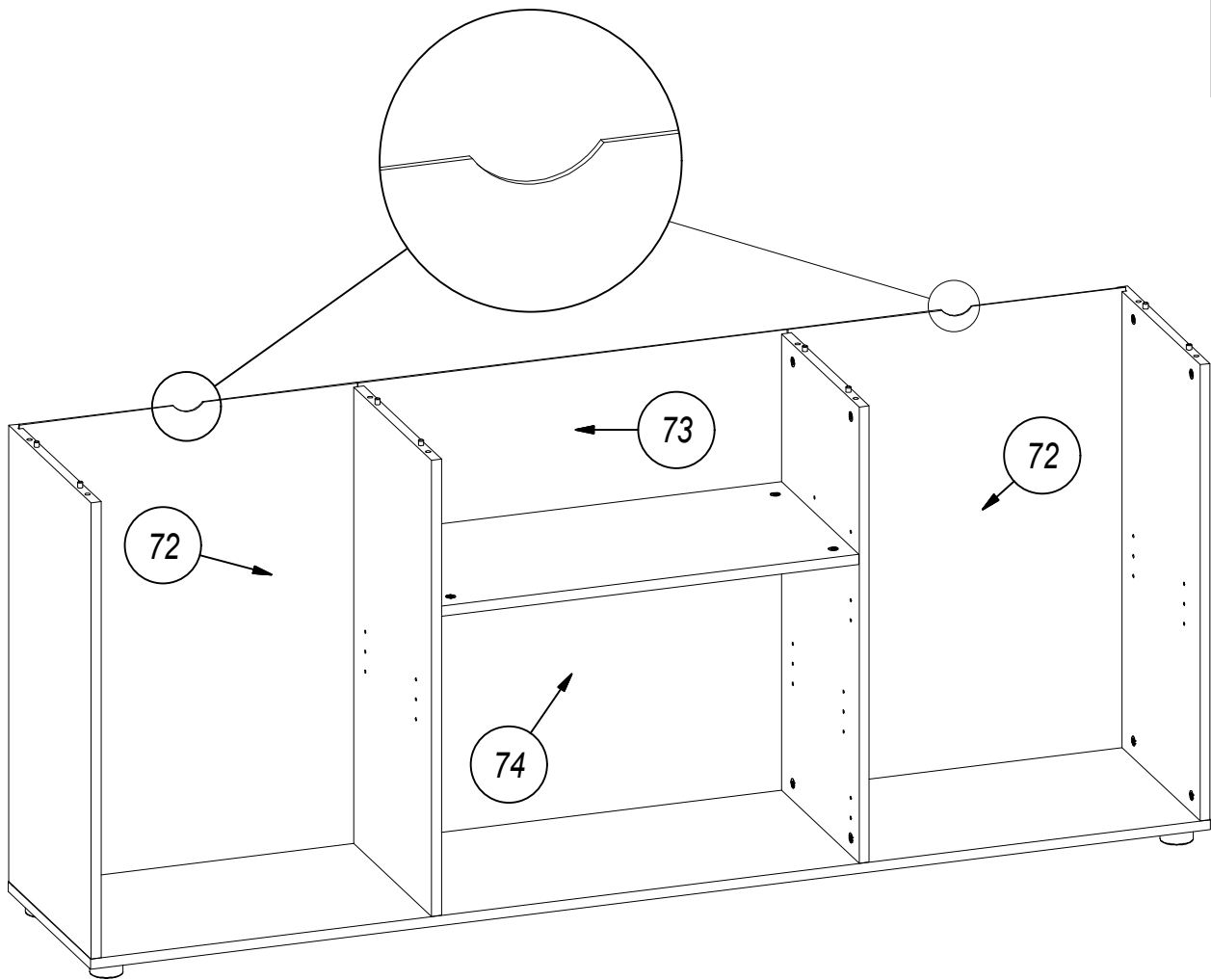
9



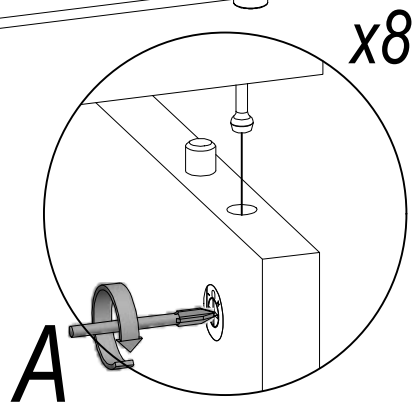
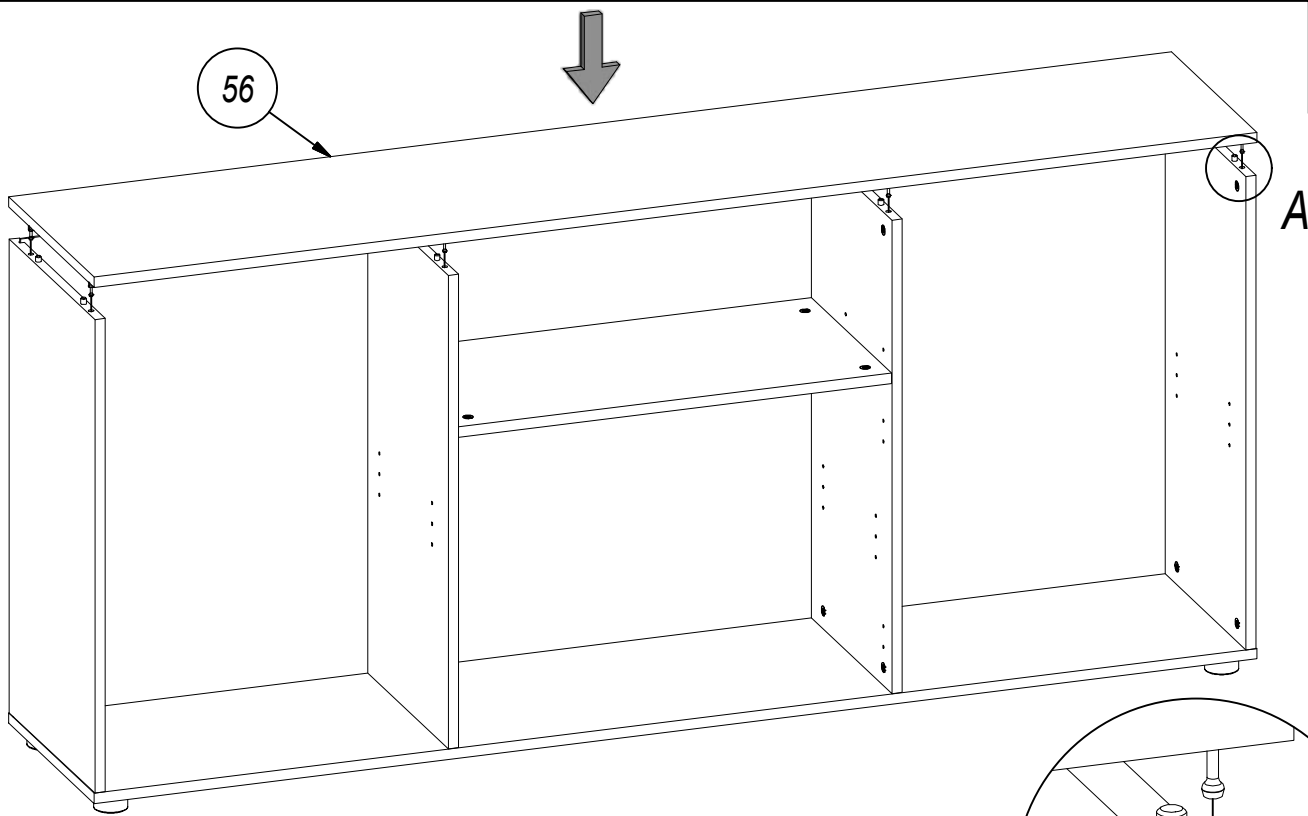
10






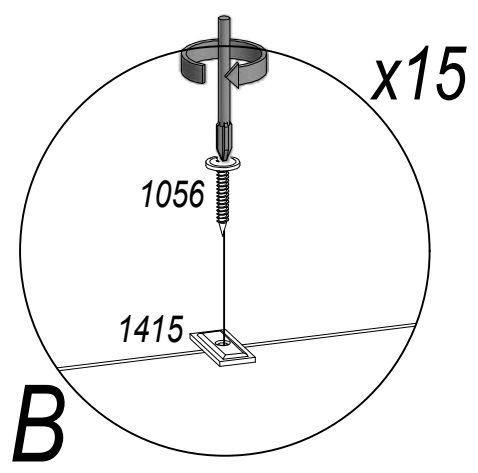
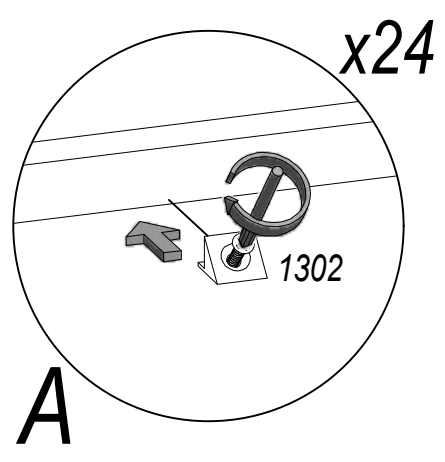
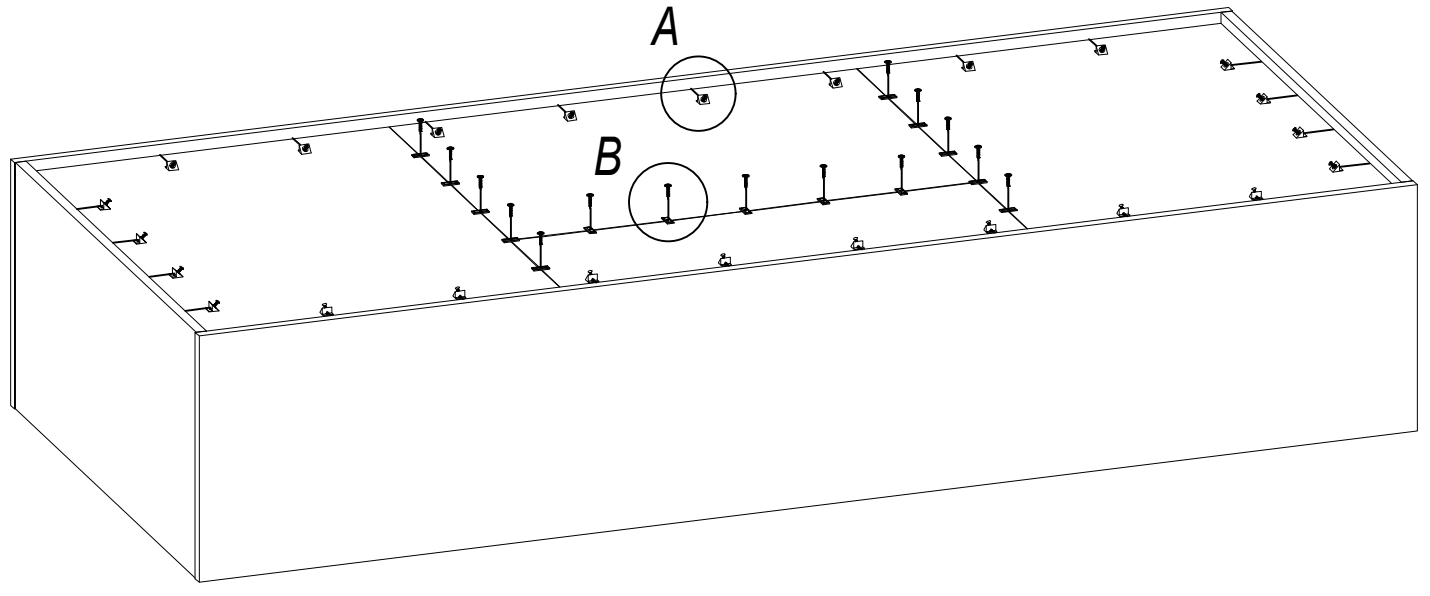
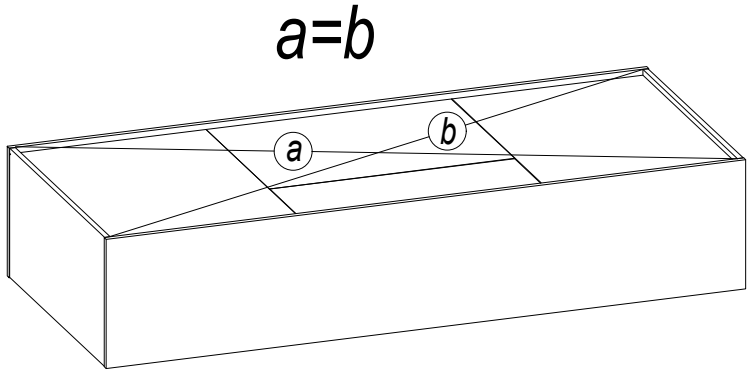
11

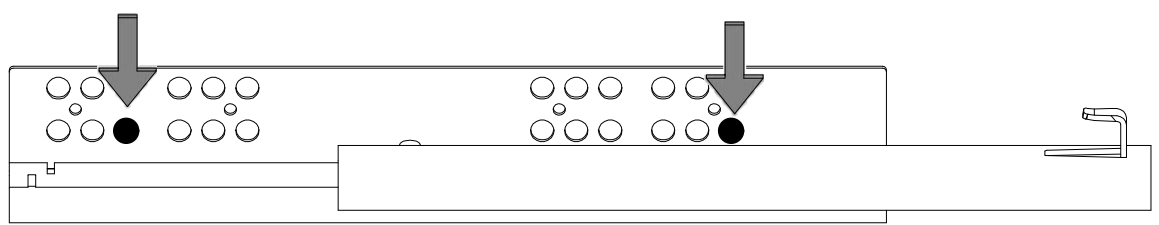
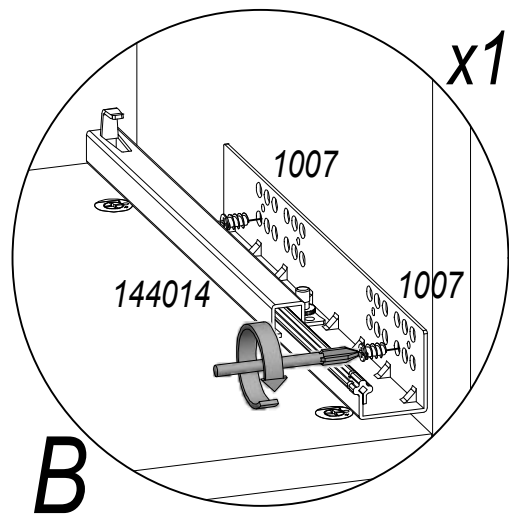
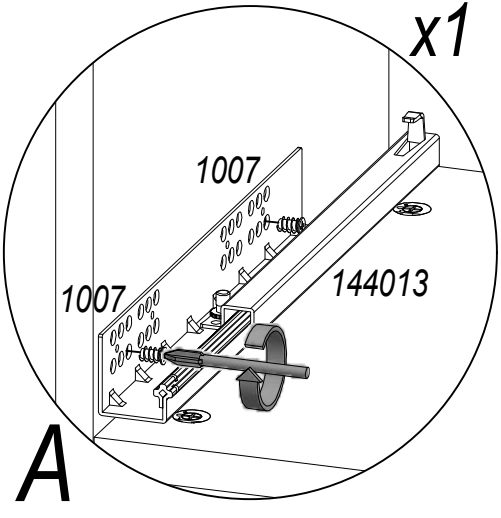
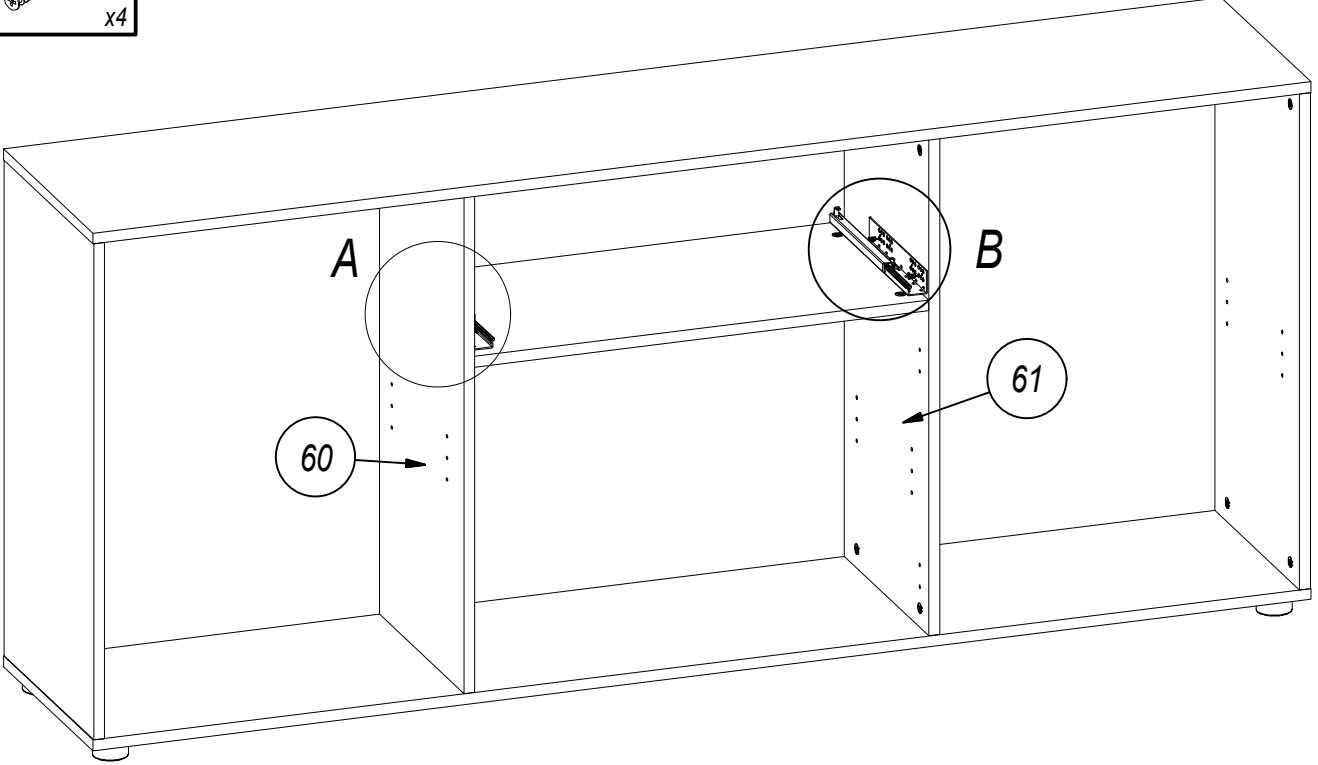
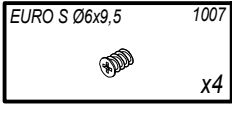
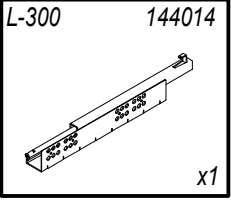
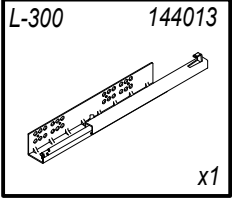


12

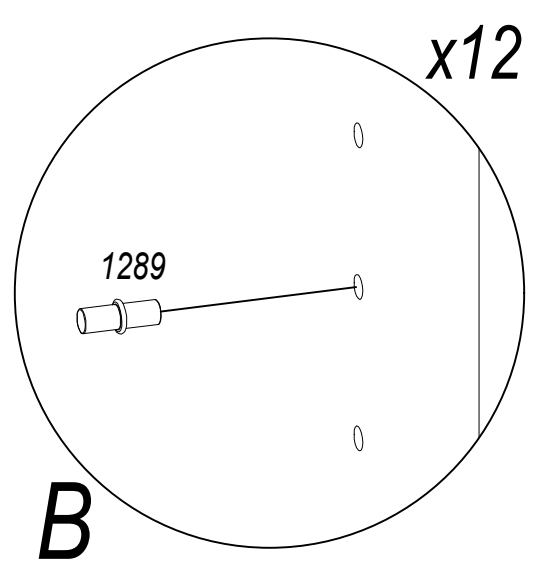
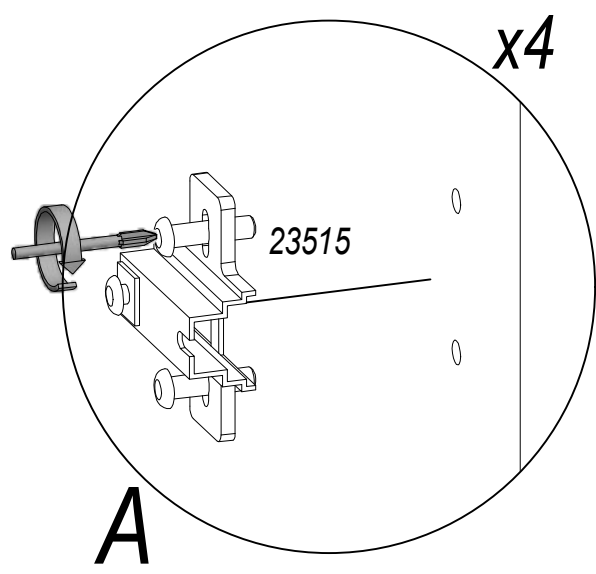
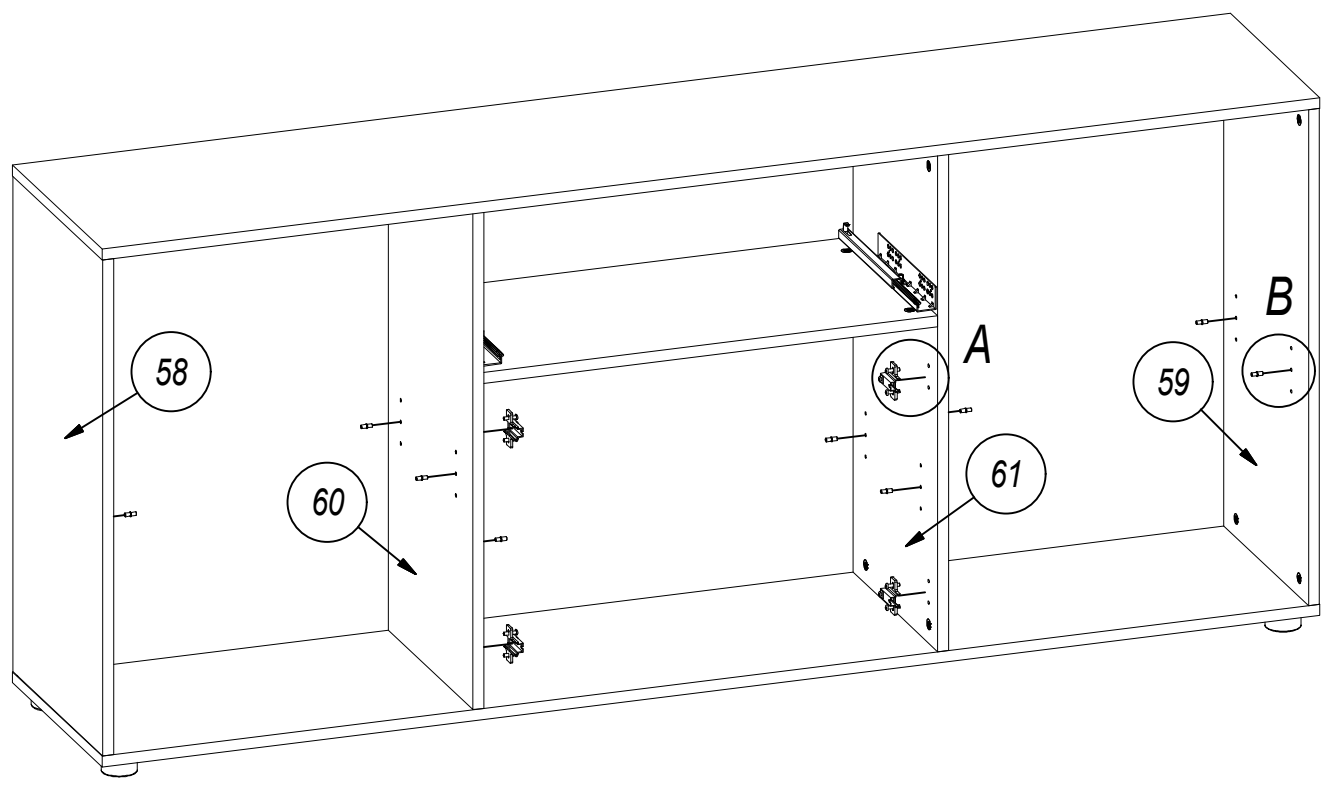


	1302
x24	
	1056
x15	
	1415
x15	



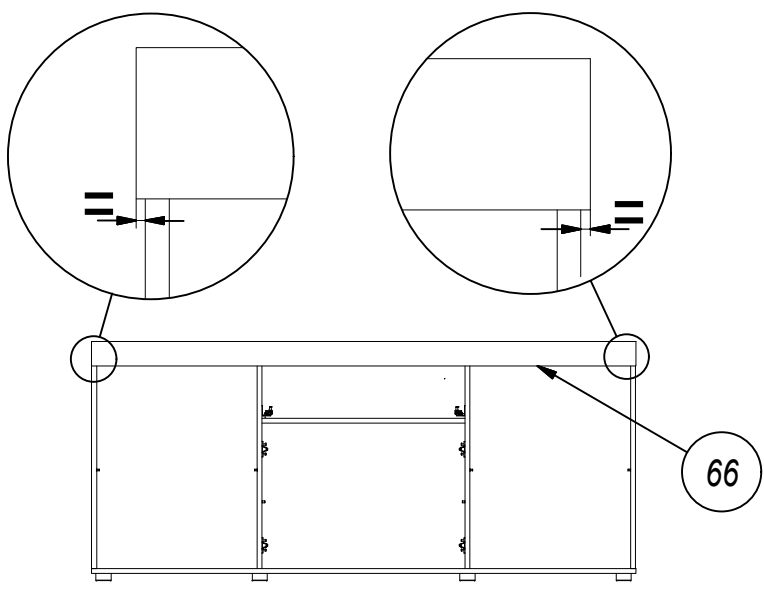


- 23515 x4
- 1289 x12

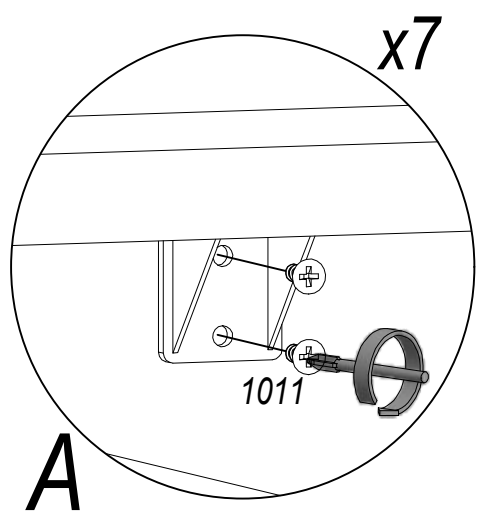
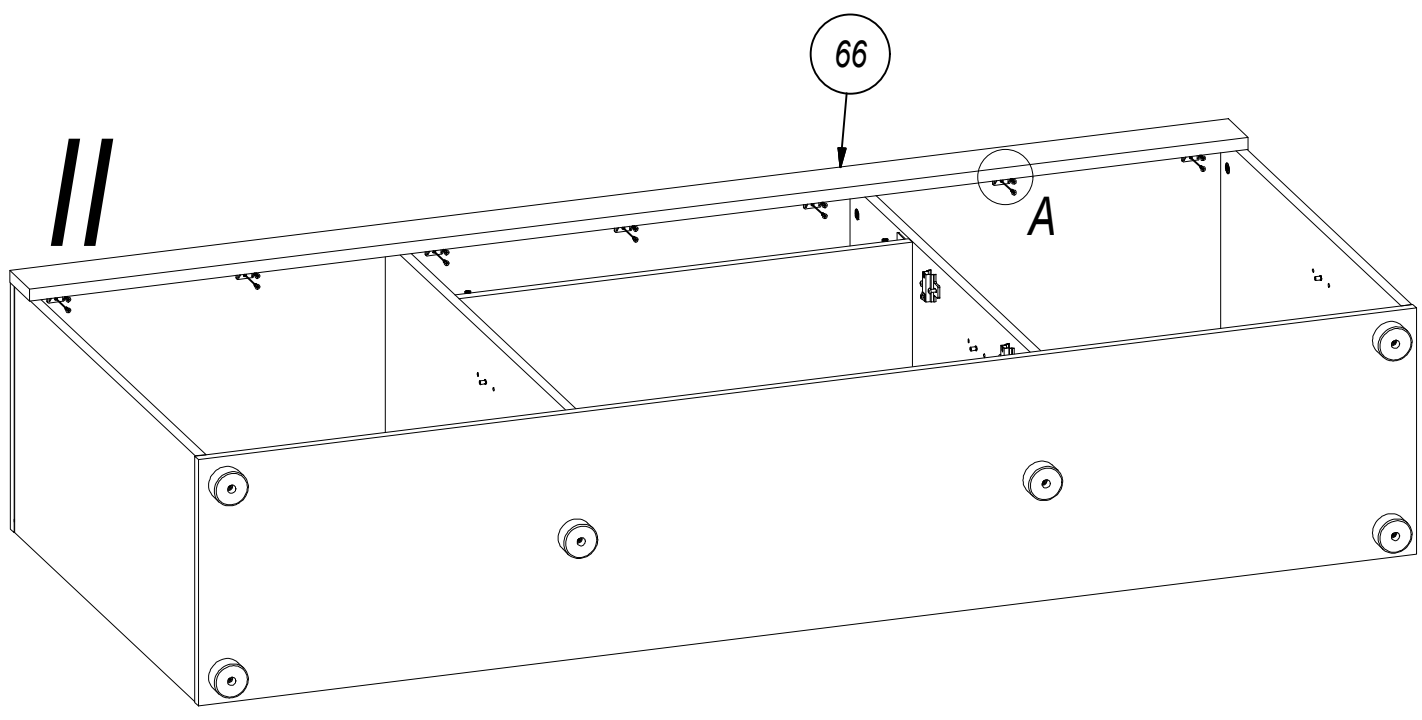


US Ø3,5x13 1011
x14

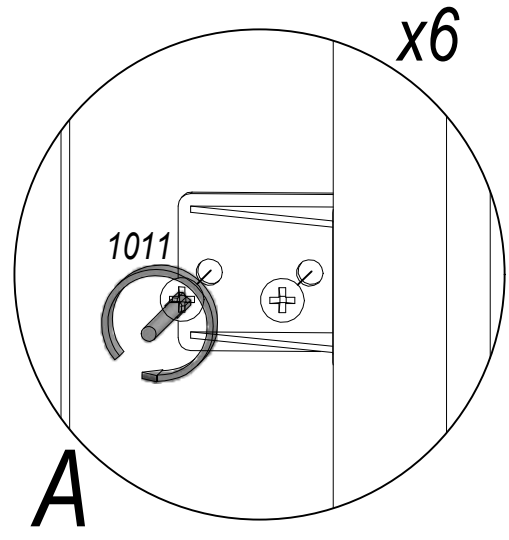
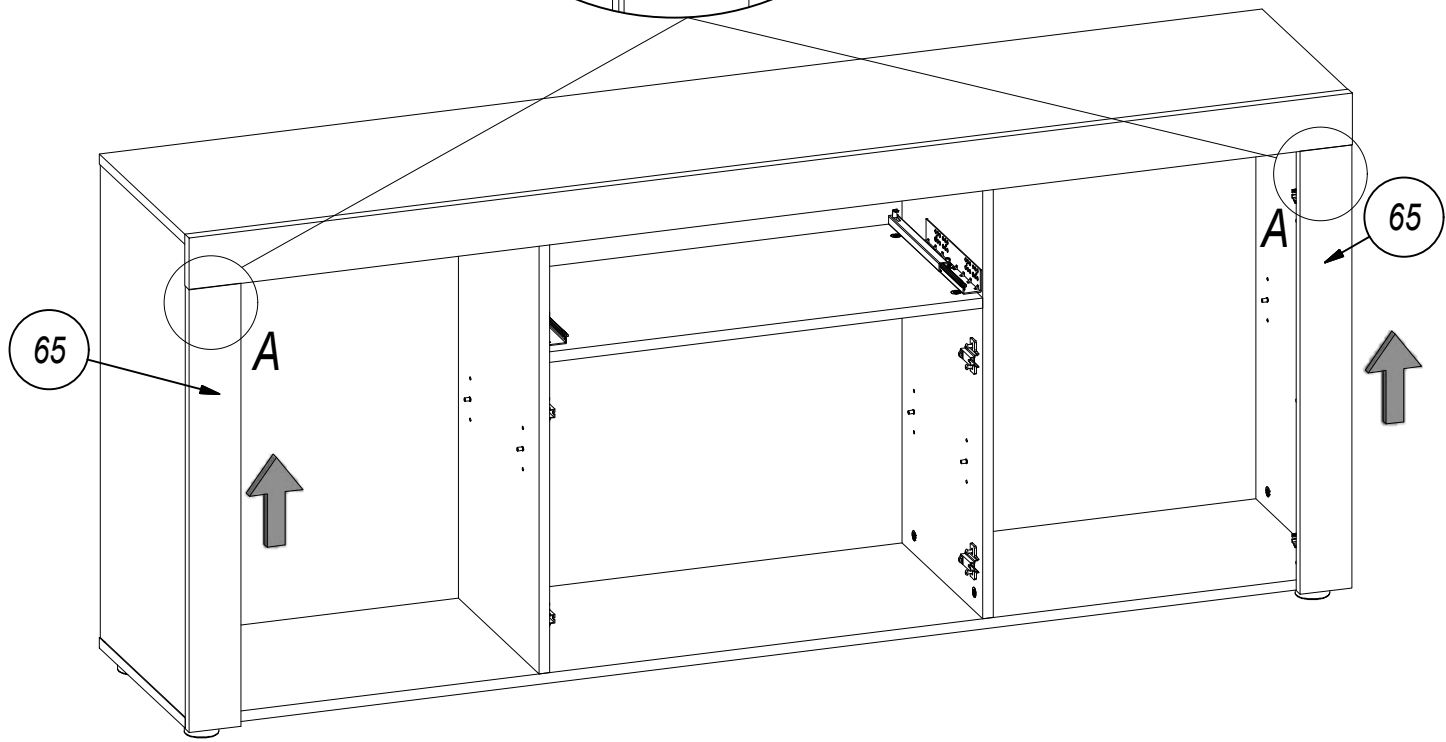
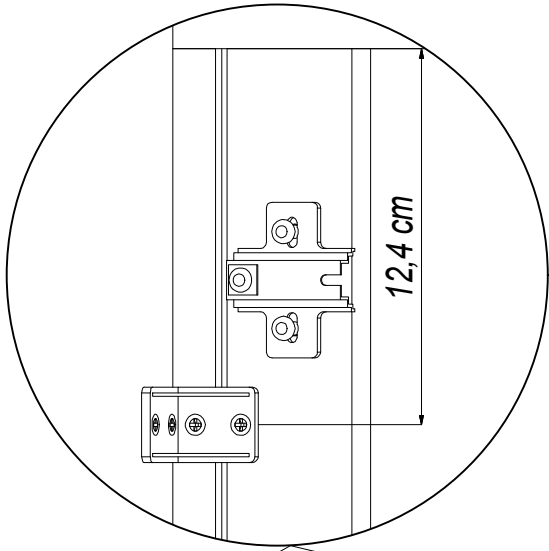
I



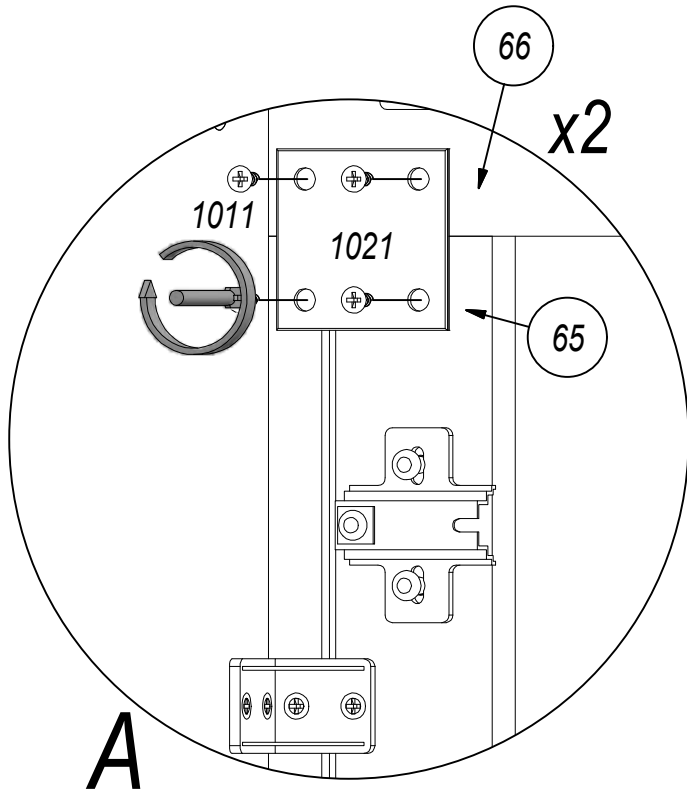
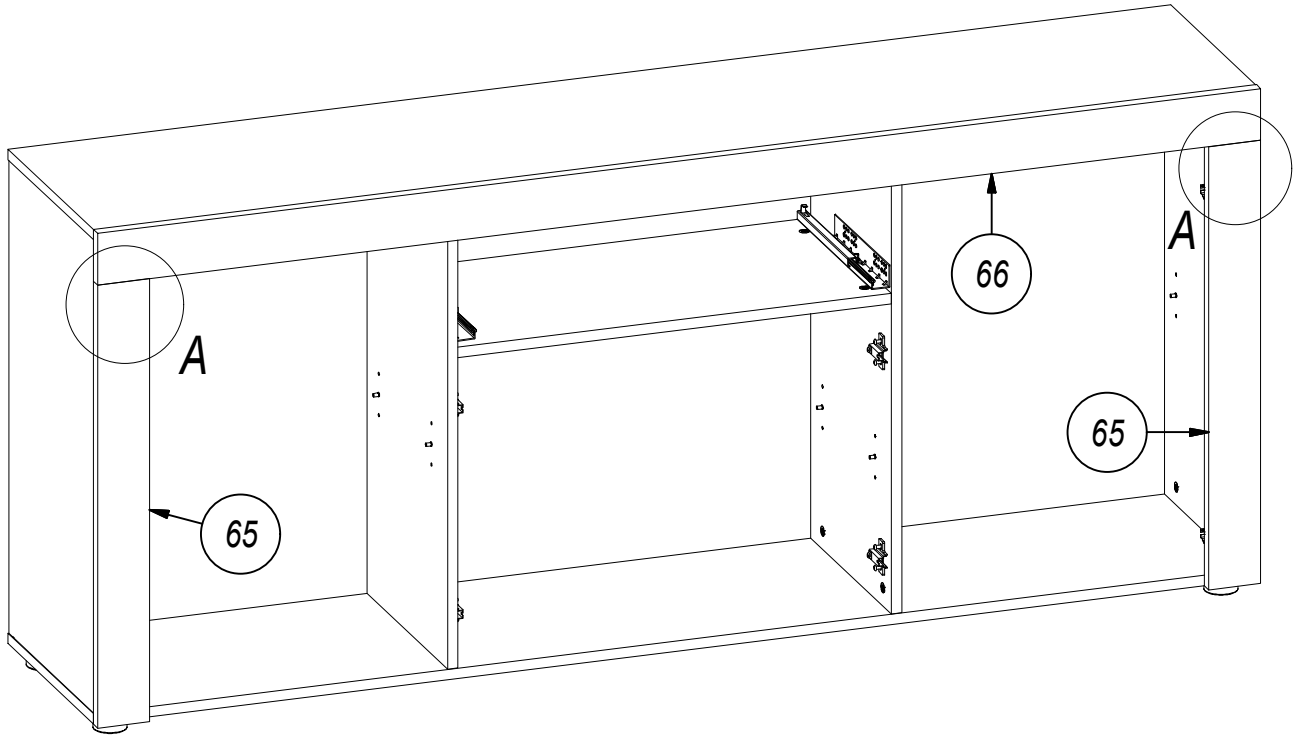
II

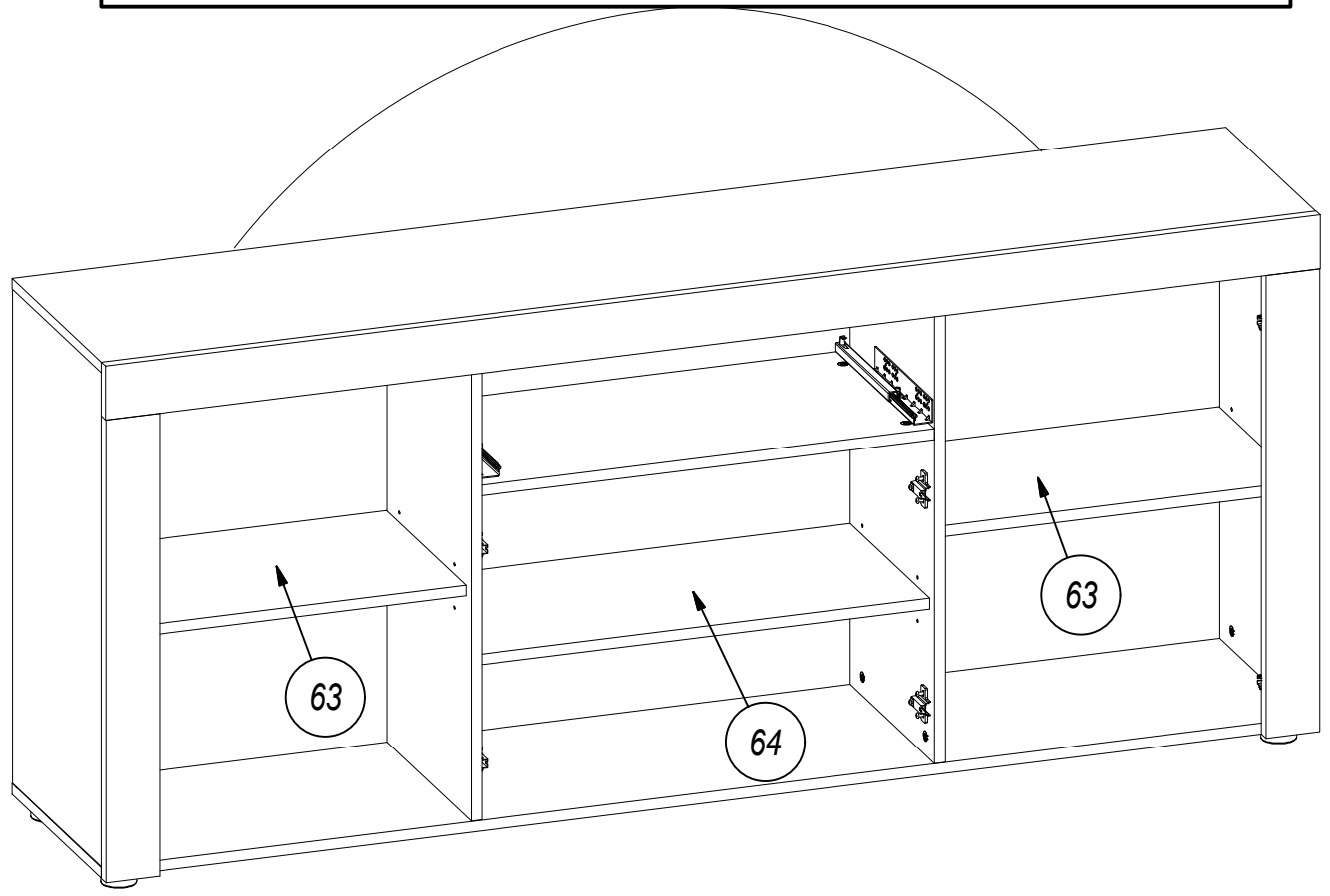
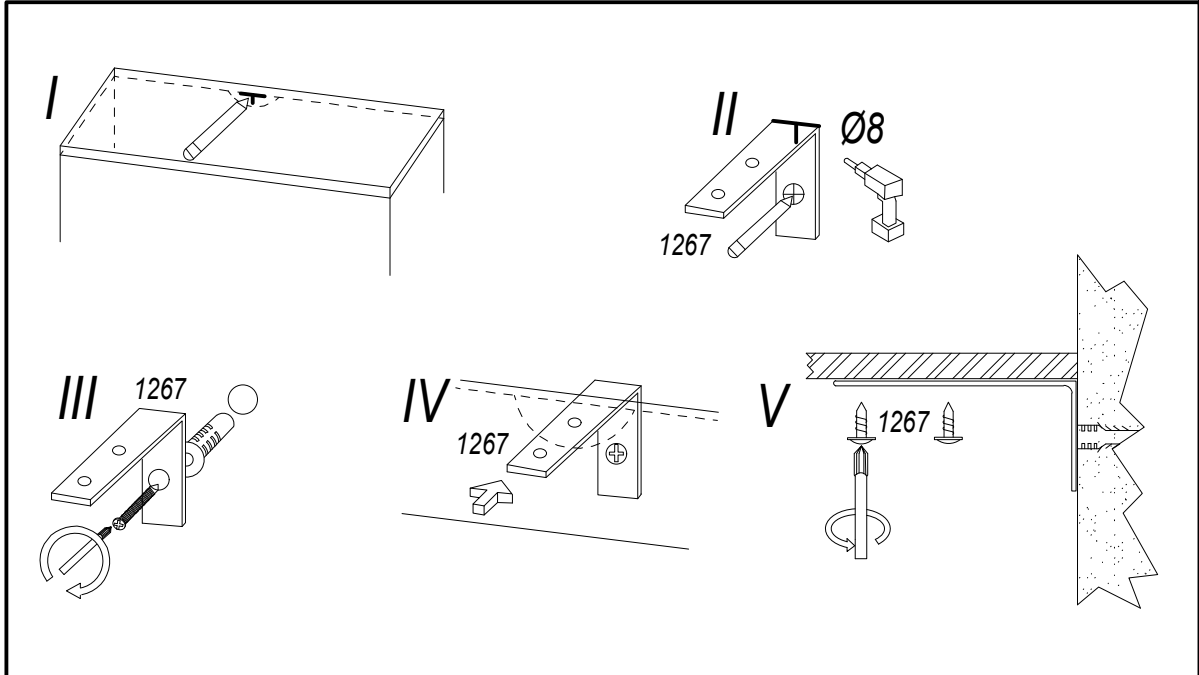
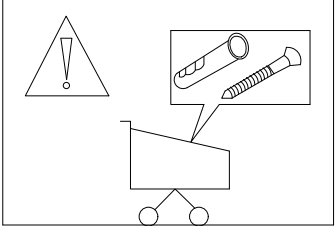
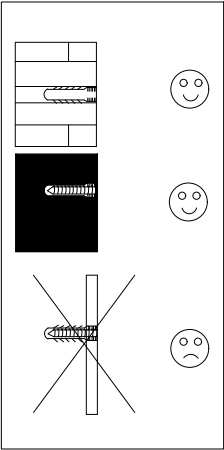
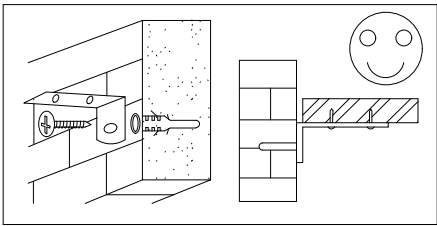
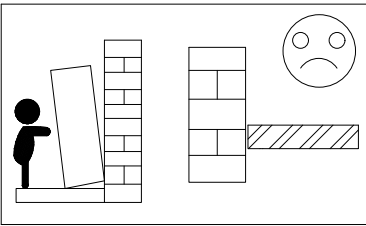
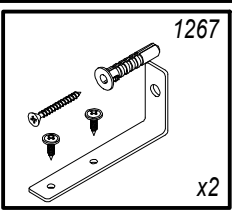


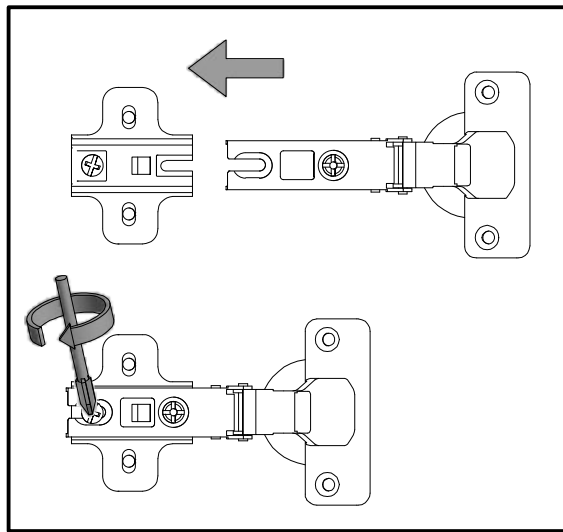
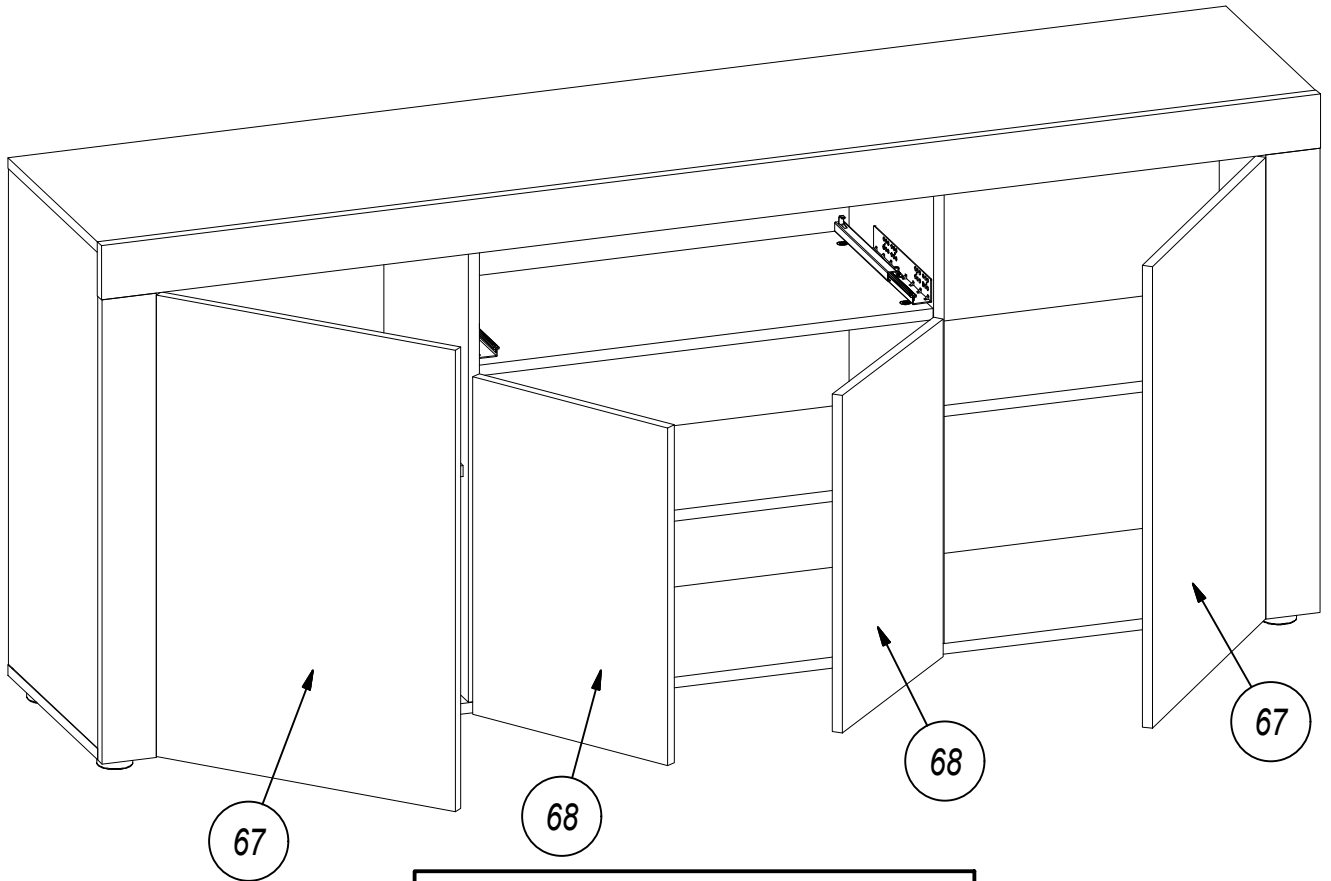
US Ø3,5x13 1011
x12



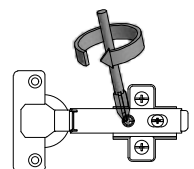
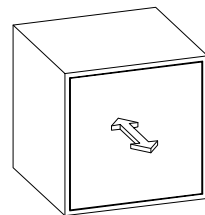
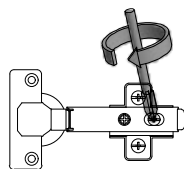
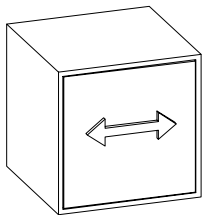
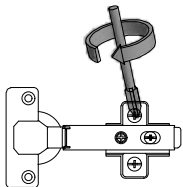
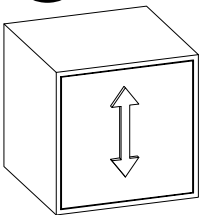
- 1021 x2
- US Ø3,5x13 1011 x8



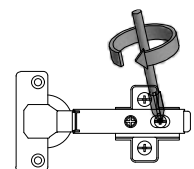
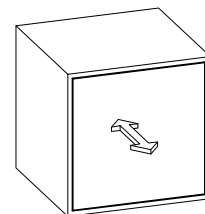
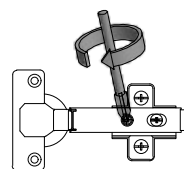
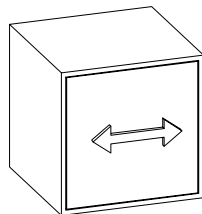
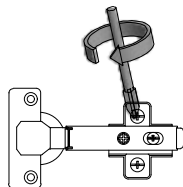
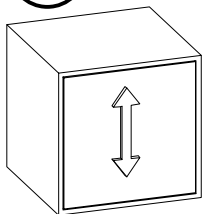






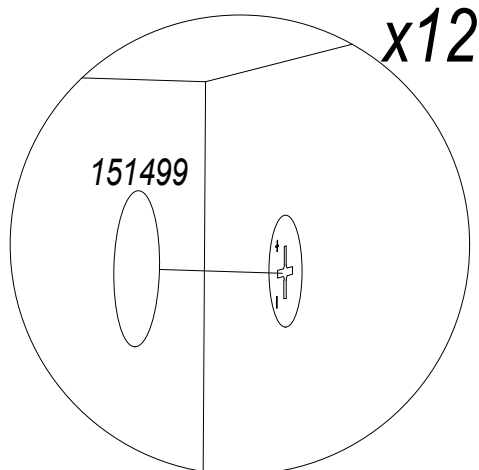
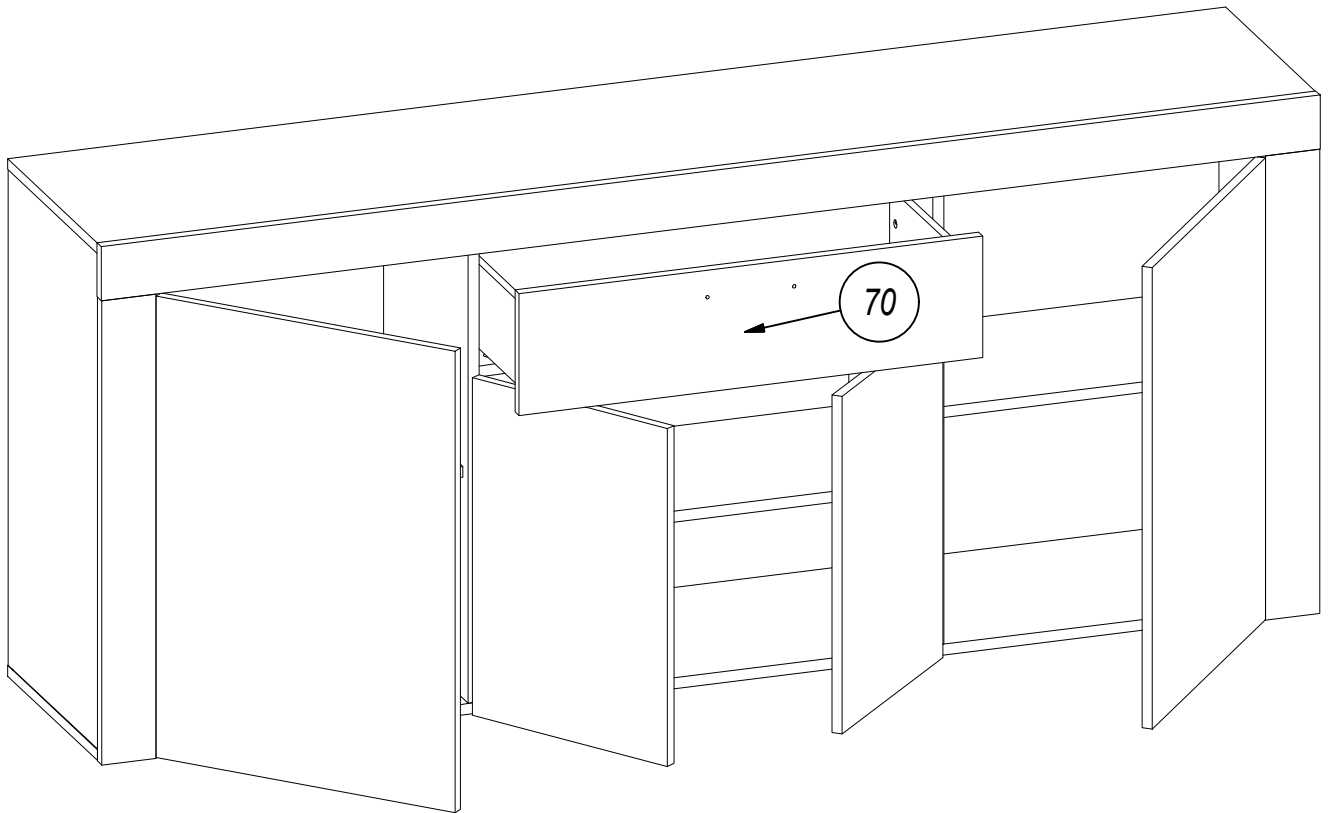
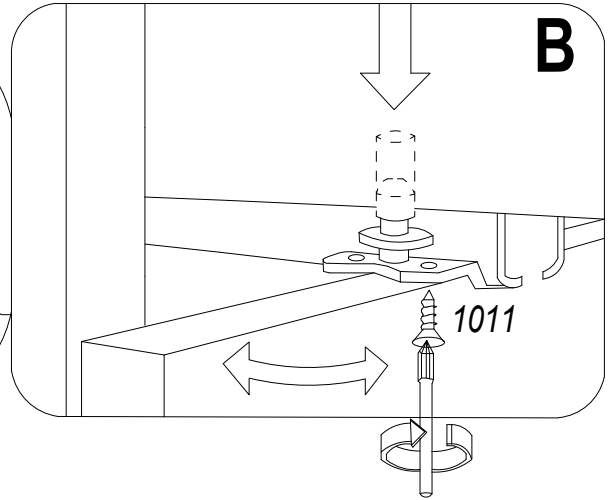
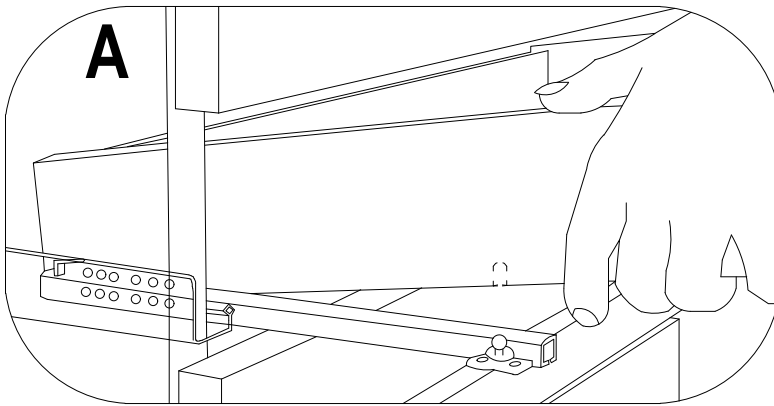
67



68



US Ø3,5x13	1011
	x2
Ø20	151499
	x12

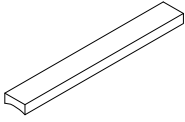


151543

UP Ø4x30

1012

x10



PLASTIC

x5

