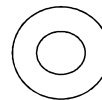
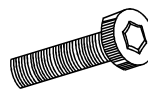
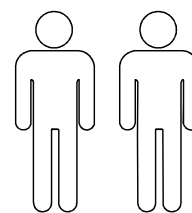
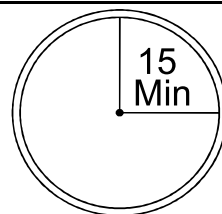
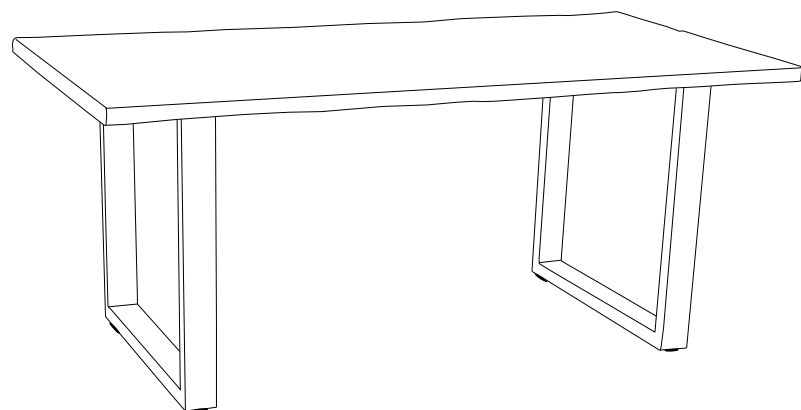


Art.No.69888-160

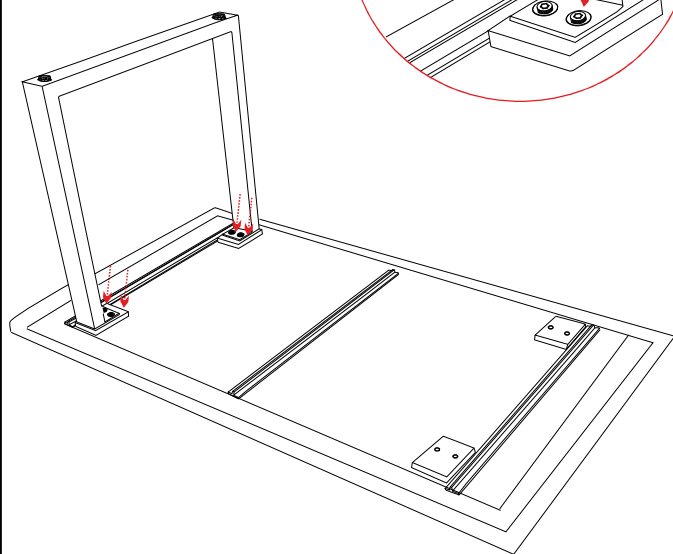
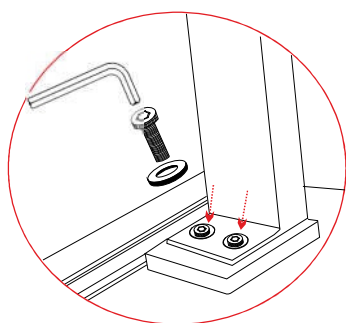


(8x25mm )

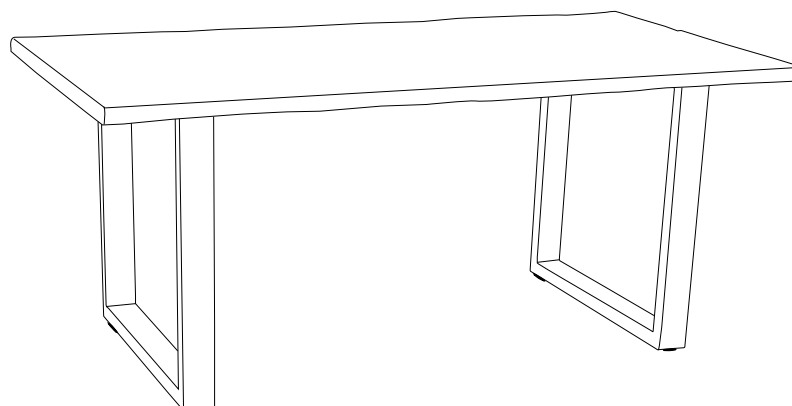
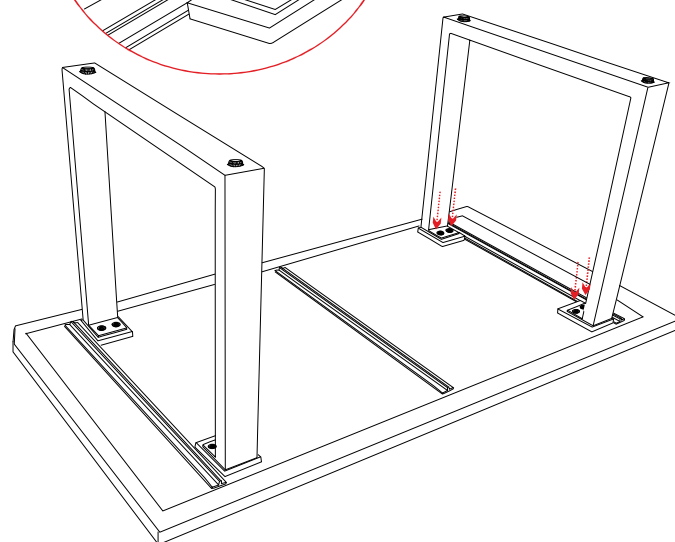
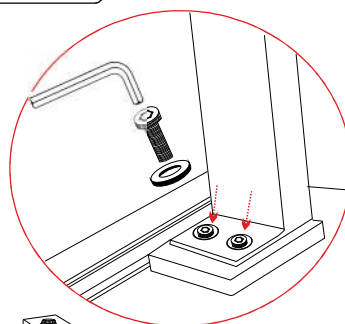
(08 Pcs.) (08 Pcs.) (01 Pcs.)



Step 01.



Step 02.



Assembled Product