

ASSEMBLY INSTRUCTION

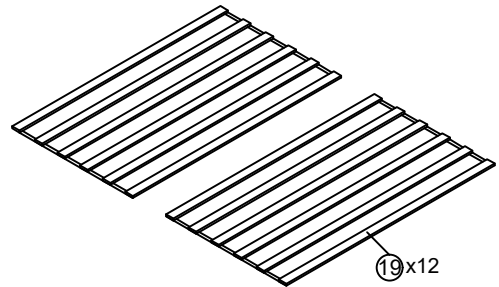
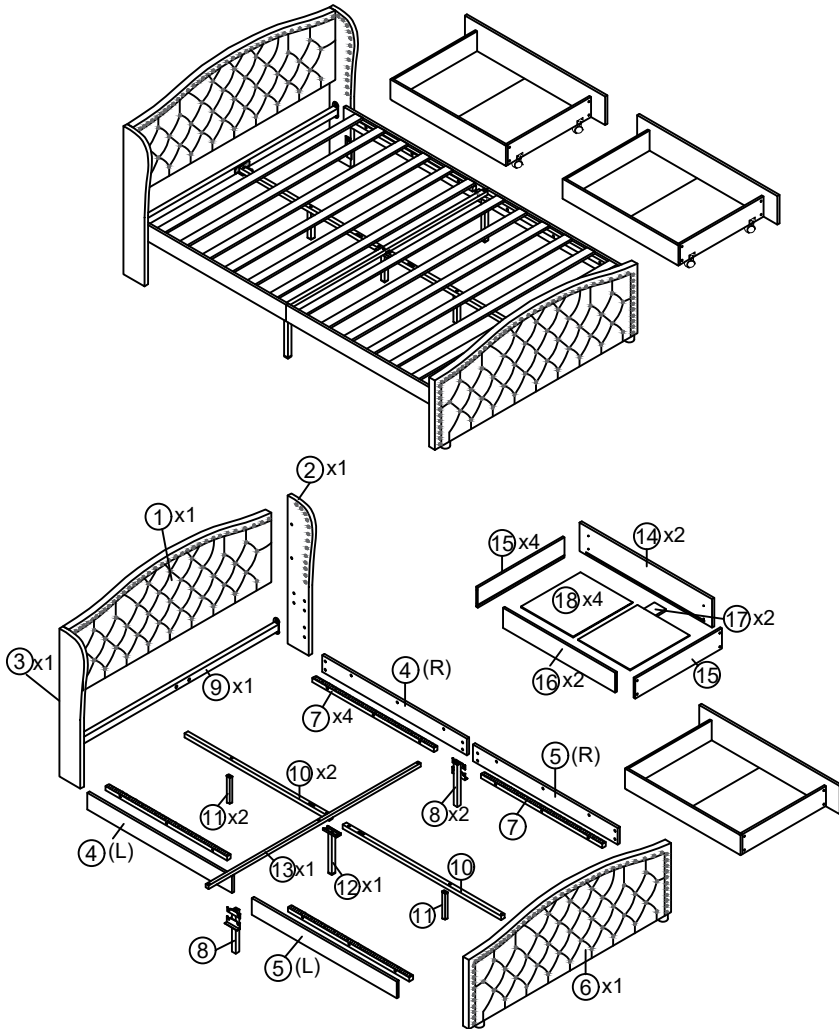
TIPS


1. This product is divided into 2 parcels for delivery. They may not arrive at the same time. Please wait patiently.

2. Please read the instructions fully before assembly. These instructions include important information which could ensure correct assembly. We have been working on providing high quality products for you. However, in the rare instance that your product is defective, missing parts or there are some issues, please don't hesitate to contact our customer service to submit parts requirements, assembly suggestion, or warranty claims, and we will give the best solution as soon as possible. If necessary, we need you to provide some more clear pictures of the issue.

3. Insert the screws in holes and tighten the screws, but not too tight, 70%~80% is ok, finally tighten all the screws. If some issues happened that some screws can not target to the hole or some parts are difficult to install, please adjust the tightness of the screws.

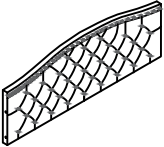
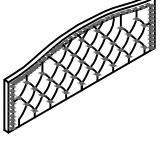

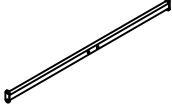
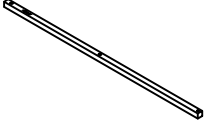
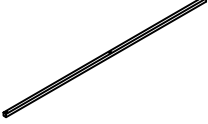
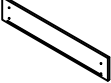
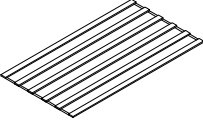
4. 2 people are recommended to finish





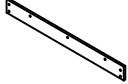





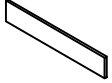

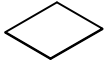
Parts List			Hardware List		
NO	ITEM	QTY	NO	ITEM	QTY
1	Head board	1	A	Allen Key 	1
2	Side head board	1	B	Bolts (M8x40mm) 	29
3	Side head board	1	C	Washer 	8
4	Siderails	2	D	Bolts (M8x18mm) 	28
5	Siderails	2	E	Nails (M4x50mm) 	2
6	Foot board	1	F	Bed legs 	2
7	Side rails support bar	4	G	"7" Connector 	3
8	Side rails support legs	2	H	Center support bar fittings 	2
9	Head board cross bar	1	L	Drawer fittings 	24
10	Center support bar	2	M	Drawer fittings 	24
11	Middle support leg	2	N	Nails (M3x16mm) 	24
12	Connected support leg	1	O	Drawer wheel 	8
13	Cross bar	1	P	Stopper 	1
14	Drawer outer board	2			
15	Drawer board	4			
16	Drawer board	2			
17	Drawer support bar	2			
18	Drawer bottom board	4			
19	Slats	12			

Part List

WF289982

<p>1</p>  <p>Head board-1pc</p>	<p>6</p>  <p>Foot board -1pc</p>	<p>7</p>  <p>Side rails support bar-4pcs</p>
<p>9</p>  <p>Head board cross bar-1pc</p>	<p>10</p>  <p>Center support bar-2pcs</p>	<p>13</p>  <p>Cross bar-1pc</p>
<p>14</p>  <p>Drawer outer board-2pcs</p>	<p>19</p>  <p>Slats-12pcs</p>	

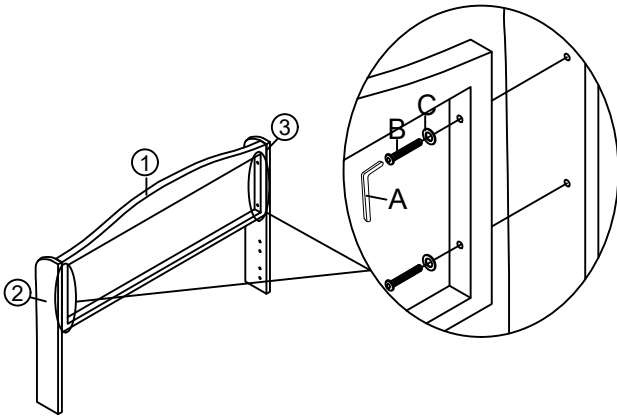
Hardware List+WF289983



<p>2</p>  <p>Side head board— 1pc</p>	<p>3</p>  <p>Side rails-1pc</p>	<p>4</p>  <p>Side rails-2pcs</p>
<p>5</p>  <p>Side rails-2pcs</p>	<p>8</p>  <p>Side rails support legs-2pcs</p>	<p>11</p>  <p>Middle support leg-2pcs</p>
<p>12</p>  <p>Connected support leg-1pc</p>	<p>15</p>  <p>Drawer board-4pcs</p>	<p>16</p>  <p>Drawer board-2pcs</p>
<p>17</p>  <p>Drawer support bar-2pcs</p>	<p>18</p>  <p>Drawer bottom board-4pcs</p>	

Attention: Do not tighten the screws before completing the entire installation. If you have any difficulty with the installation process, please feel free to contact us.

Step 1 X2

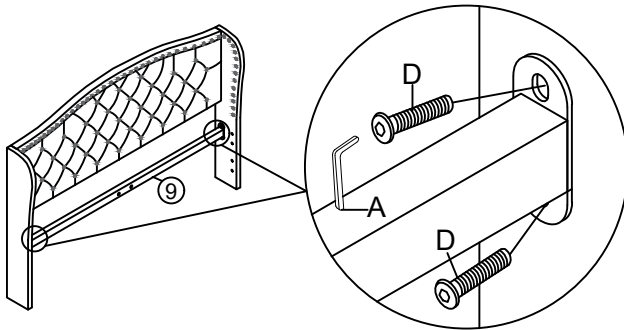
Fix the side side headboard ② and ③ To the headboard ① With bolts B and Washers C by using Allen key A





A Allen Key x1	B Bolts x 4 M8X40mm	C Washer x 4
		

Step 2

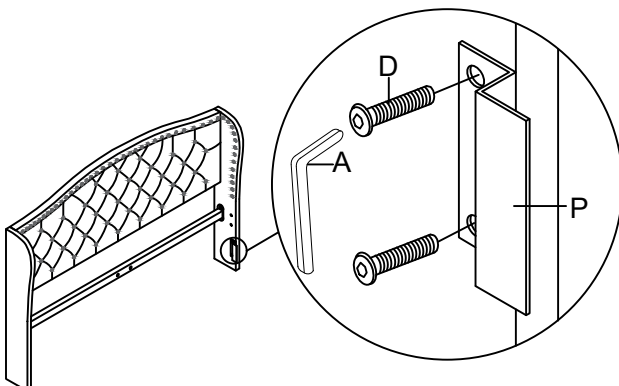
Fix the headboard cross bar ⑨ To the side headboard With bolts D by using Allen key A



A Allen Key	D Bolts x 4 M8X18mm
	




Step 3

Fix the stopper P To the side headboard With bolts D by using Allen key A



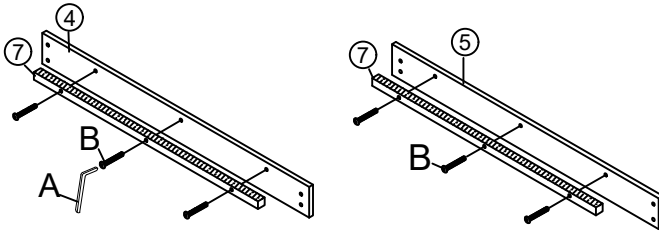
Attation:



If you want to put the drawers on the right side, you can fix the Stopper P on the right. If you want to put the drawers on the left side, you can fix the Stopper P on the left.

A Allen Key	D Bolts x 2 M8X18mm	P Stopper x 1
		

Step 4 x2

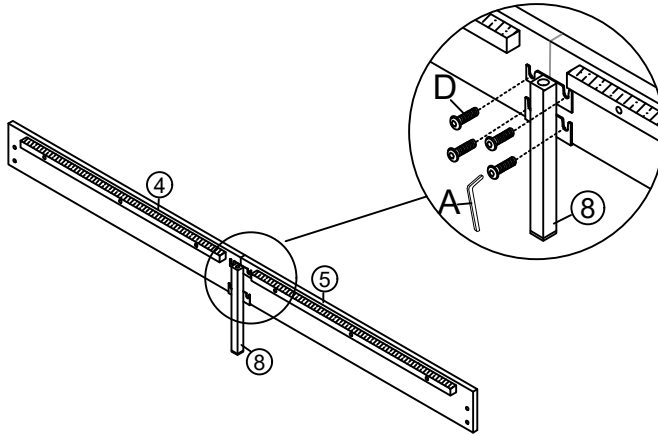
Connect side rails bar ⑦ To the side rails ④ and ⑤ With bolts B by using Allen key A





A Allen Key	B Bolts x 12
	 M8X40mm

Step 5 x2

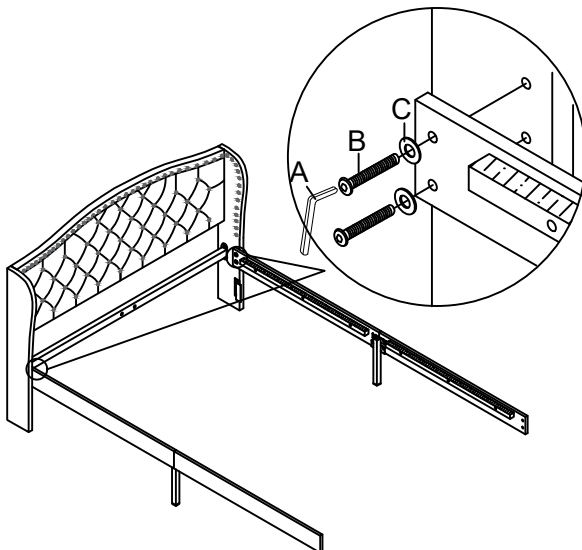
Fix the side support leg ⑧ To the assembled side rail With Bolts D by using Allen key A






A Allen Key	D Bolts x 8
	 M8X18mm

Step 6

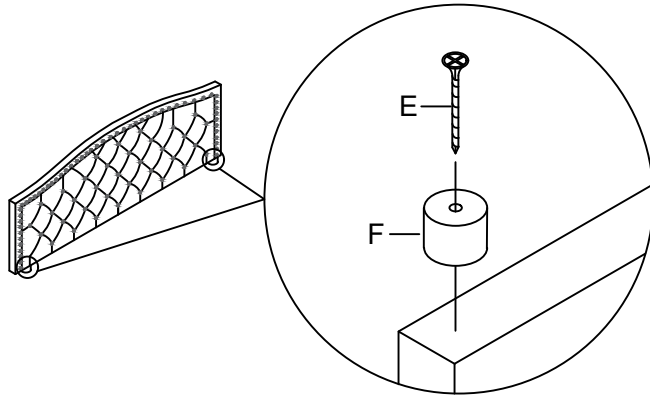
Fix the assembled side rail to the side head board ② and ③ With bolts B and washer C by using Allen key A

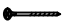




A Allen Key	B Bolts x 4	C Washer x 4
	 M8X40mm	

Step 7 X2

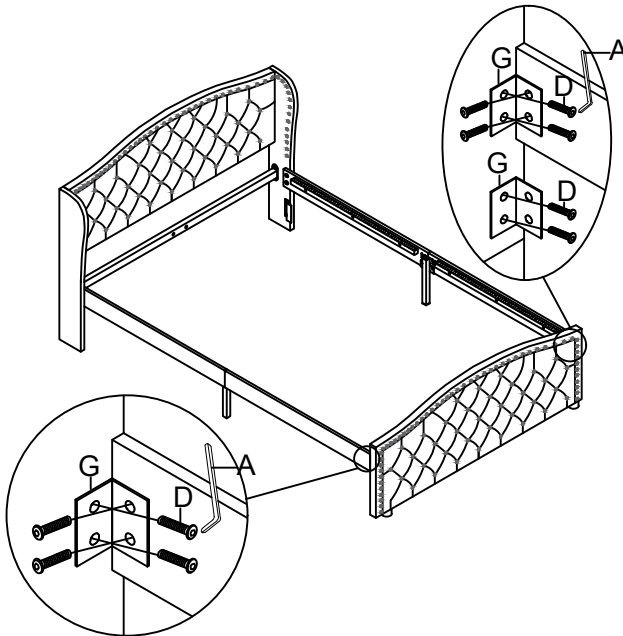
Fix the legs F To the foot board ⑥ With Nails E by using electric drill or screw driver






E Nails x2  M4X50mm	F Bed legs x2 	
--	--	---

Step 8

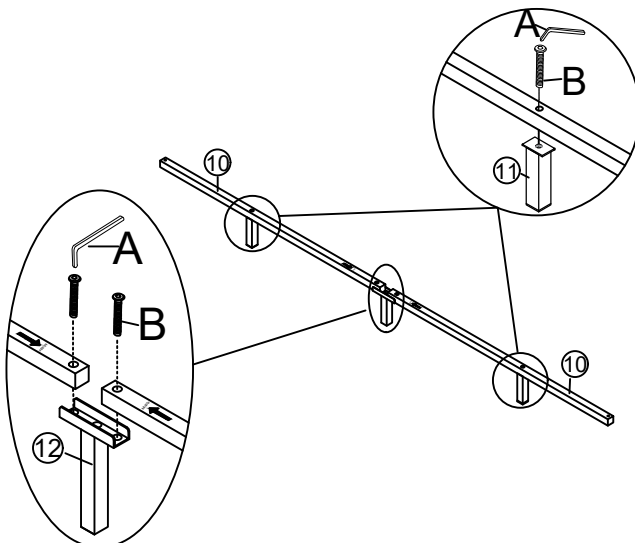
Fix the assembled side rail to the foot board ⑥ With bolts D and "7" Connector G by using Allen key A





A Allen Key 	D Bolts x 10  M8X18mm	G "7" Connector x 3 
--	--	--

Step 9

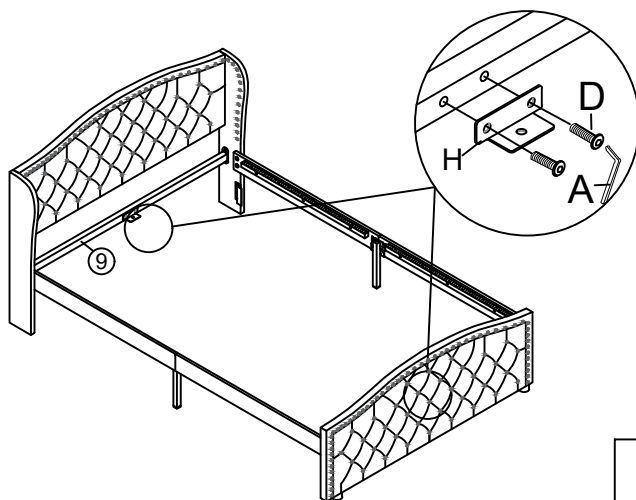
Fix the middle support leg ⑪ to the center support bar ⑩ With bolts B by using Allen key A. Fix the connected support leg ⑫ to the center support bar With bolts B by using Allen key A






A Allen Key 	B Bolts x 4  M8X40mm
---	---

Step 10

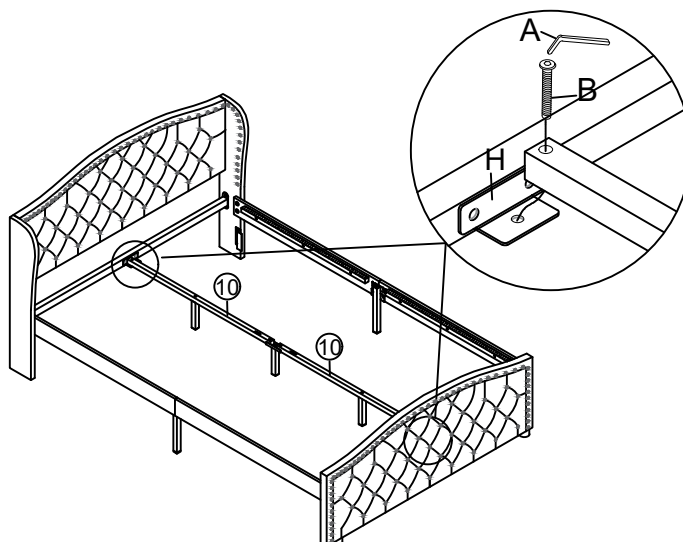
Fix the Center support bar fittings H to the Headboard cross bar ⑨ and foot board ⑥ with Bolts D by using Allen key A





Allen Key 	D Bolts x 4  M8X18mm	H Center support bar fittings x2 
--	---	---

Step 11

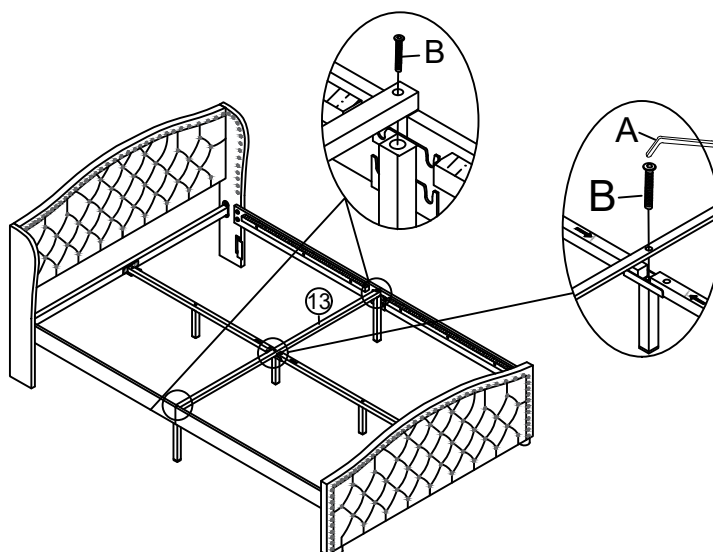
Fix the Center support bar ⑩ to the headboard cross bar ⑨ and foot board ⑥ with Bolts B by using Allen key A





B Bolts x 2  M8X40mm	Allen Key 
---	--

Step 12

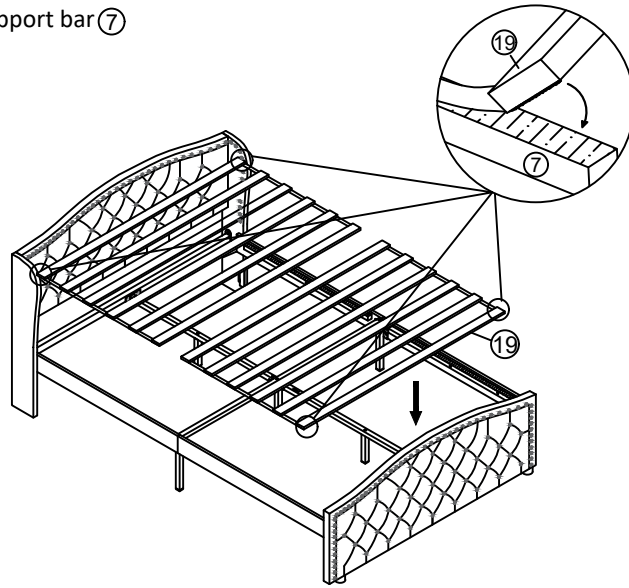
Fix the cross bar ⑬ to the side rails support legs ⑧ and Connected support legs ⑫ with Bolts B by using Allen key A



Allen Key 	B Bolts x 3  M8X40mm
--	---

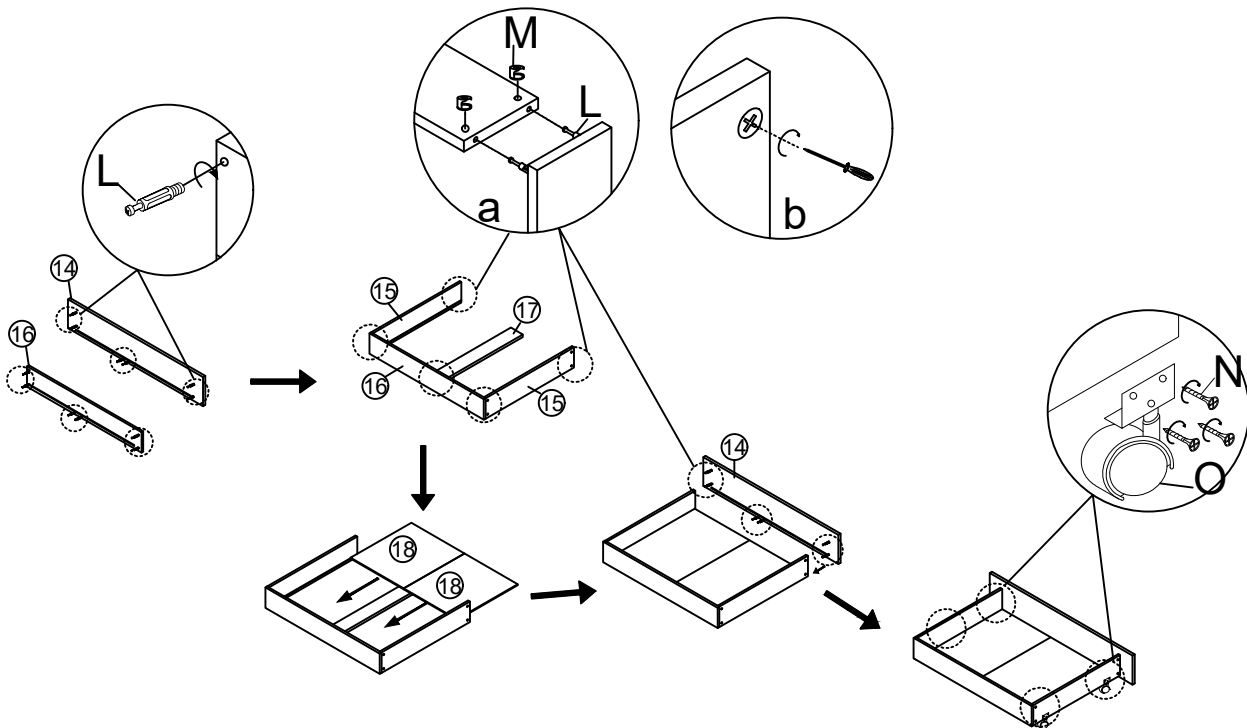
Step 13





Fix the slats (19) to the side support bar (7)



Step 14 x2

assemble the drawer with drawer fittings M and L fix the drawer wheel O with nails N by using electric drill or screw driver



L Drawer fittings x 24	M Drawer fittings x 24	N Nails x 24 M3X16mm	O Drawer wheel x 8
			

Step 15

Push the two drawers into the bed then assembled is finished, now please tighten all hard ware and enjoy the bed

