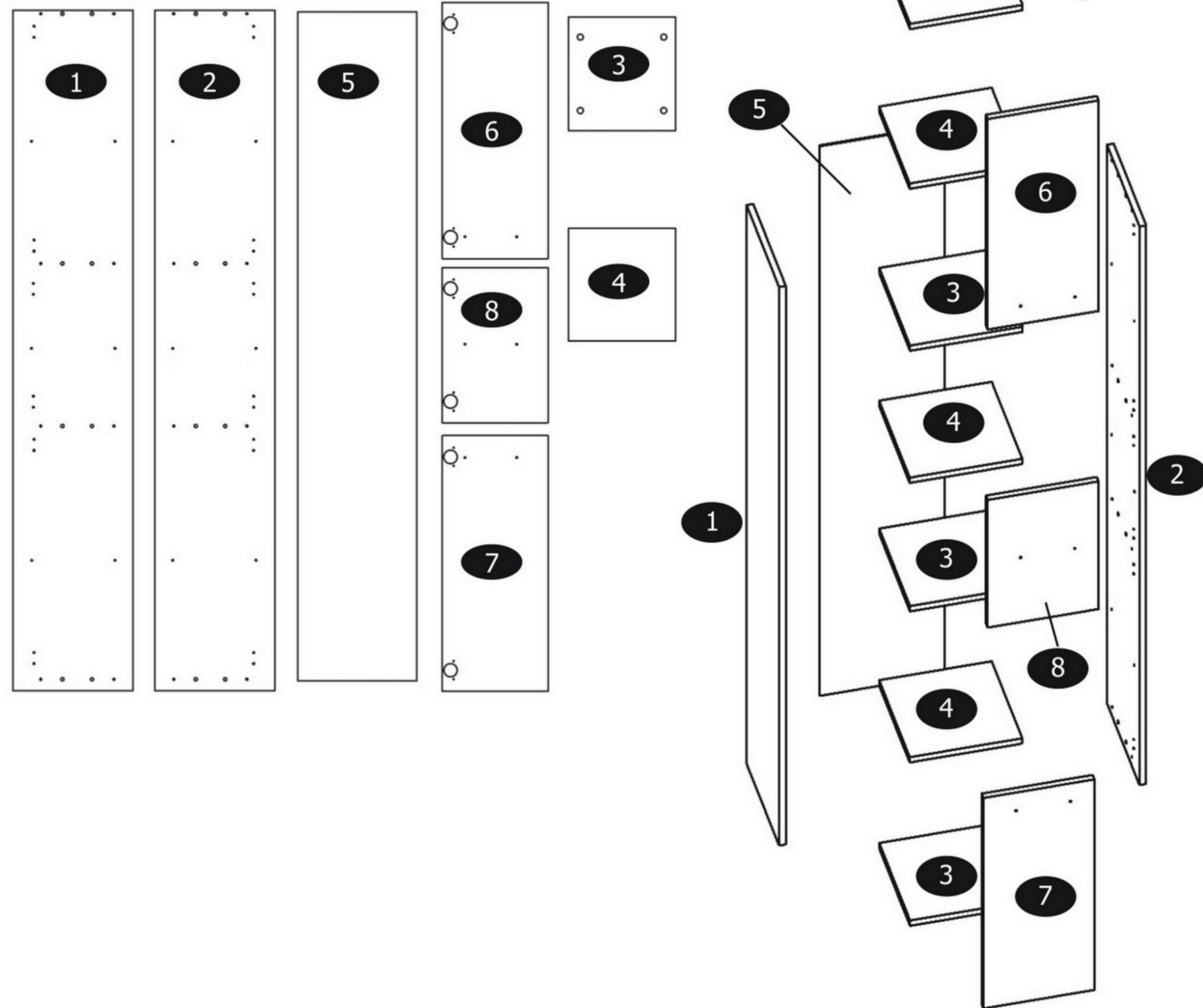
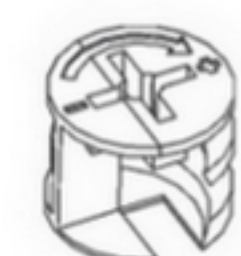
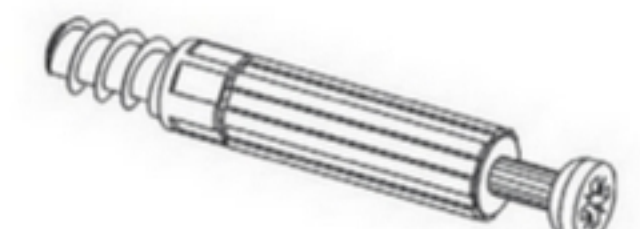





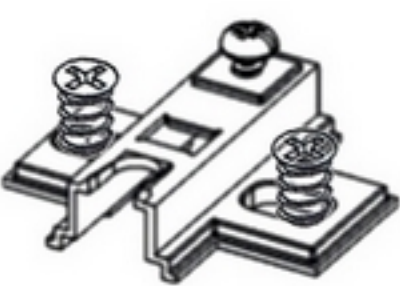
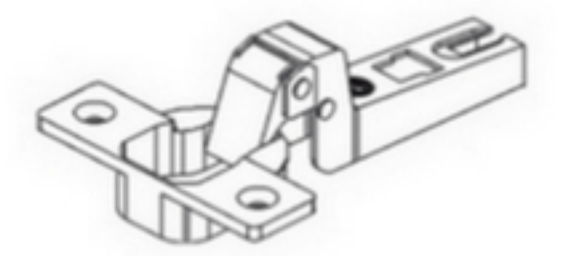




**Model "30"**      **Model "33"**      **Model "40"**      **Model "43"**

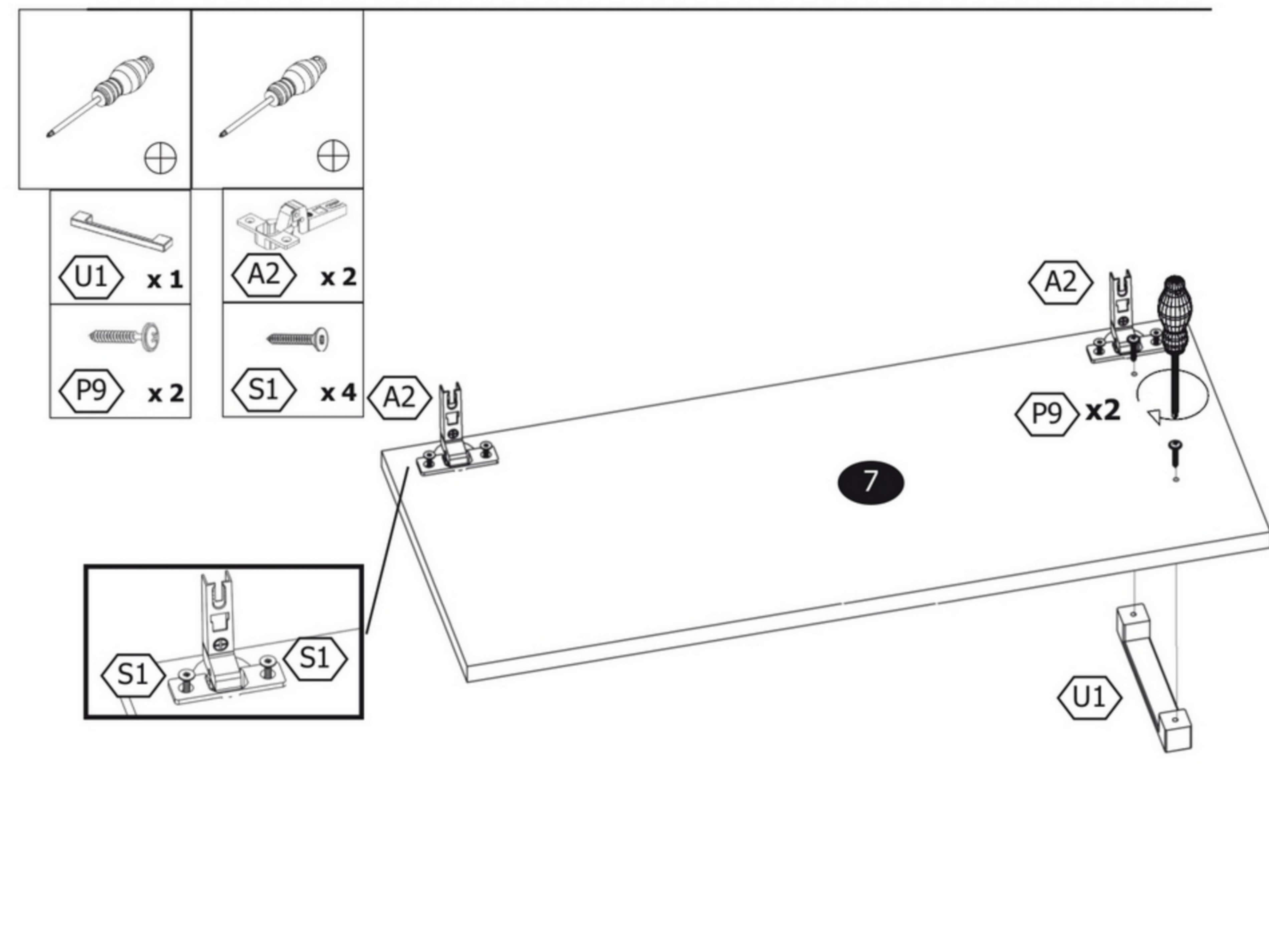
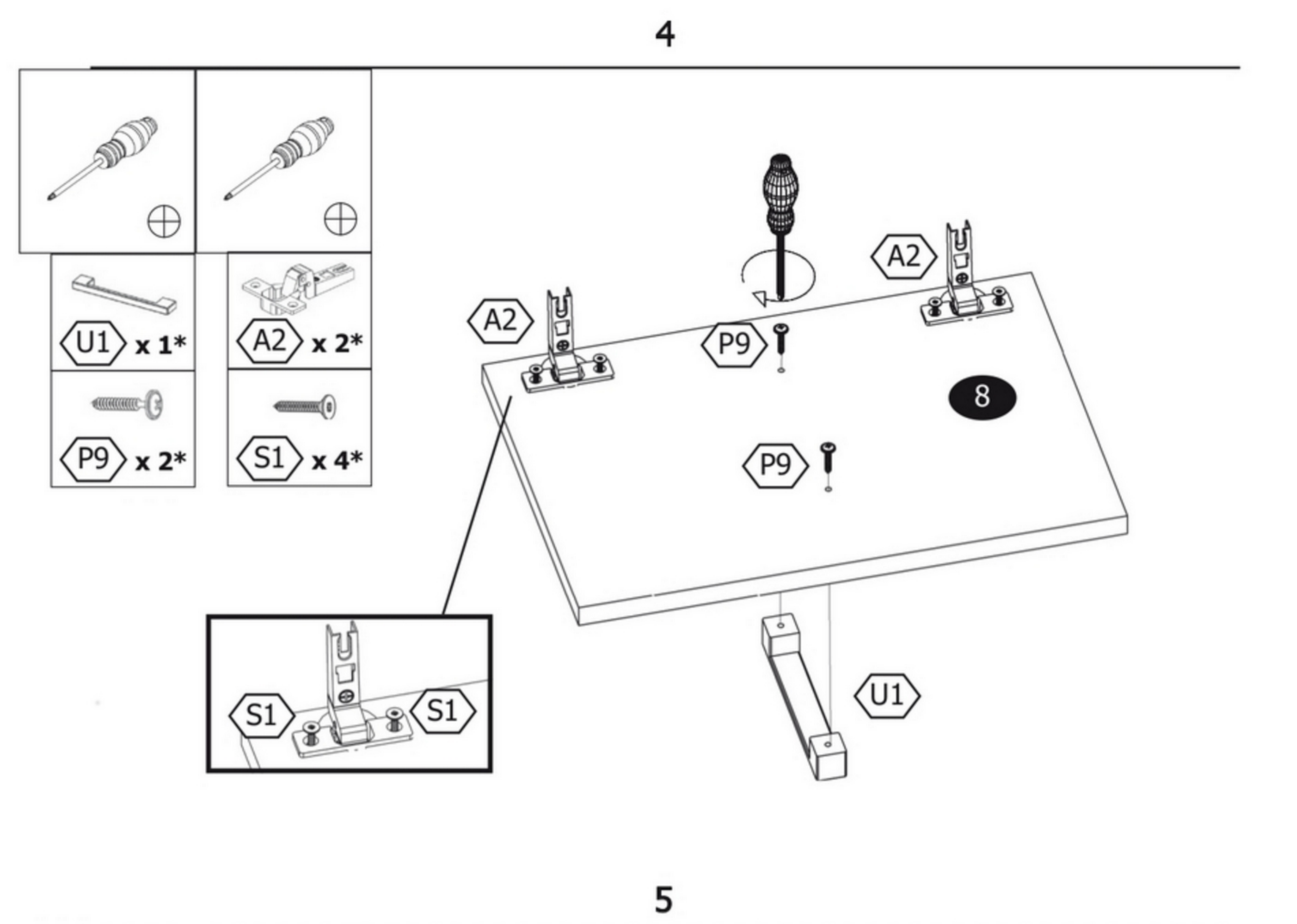
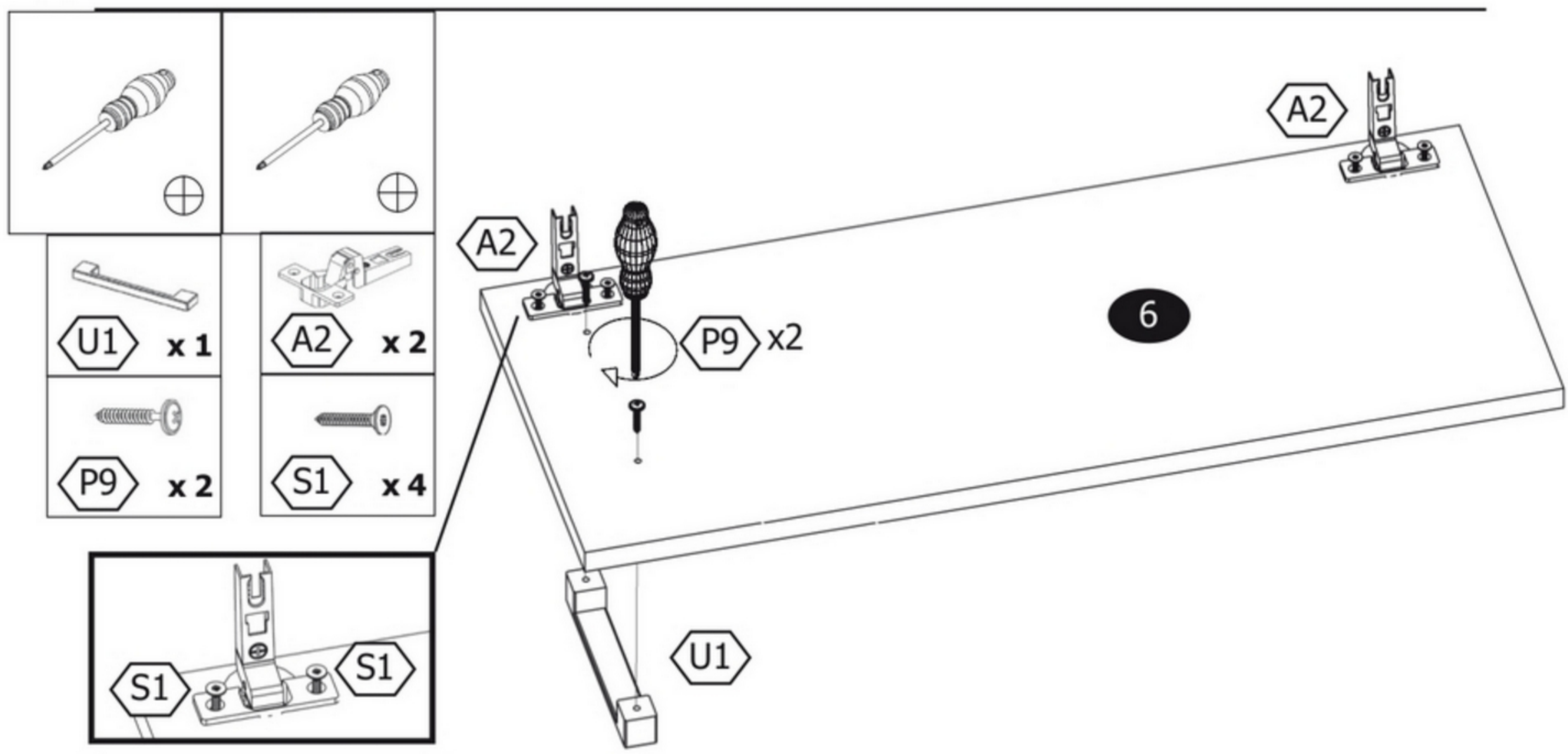
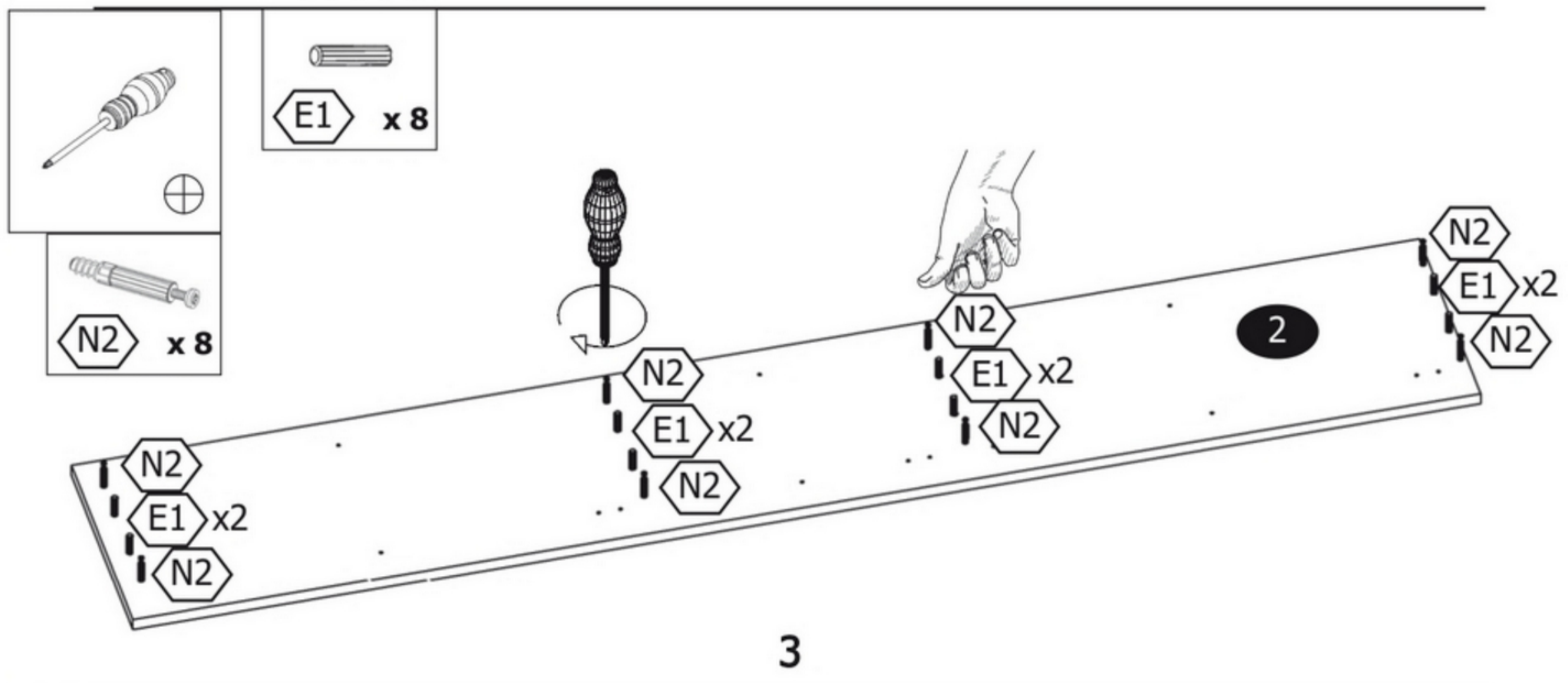
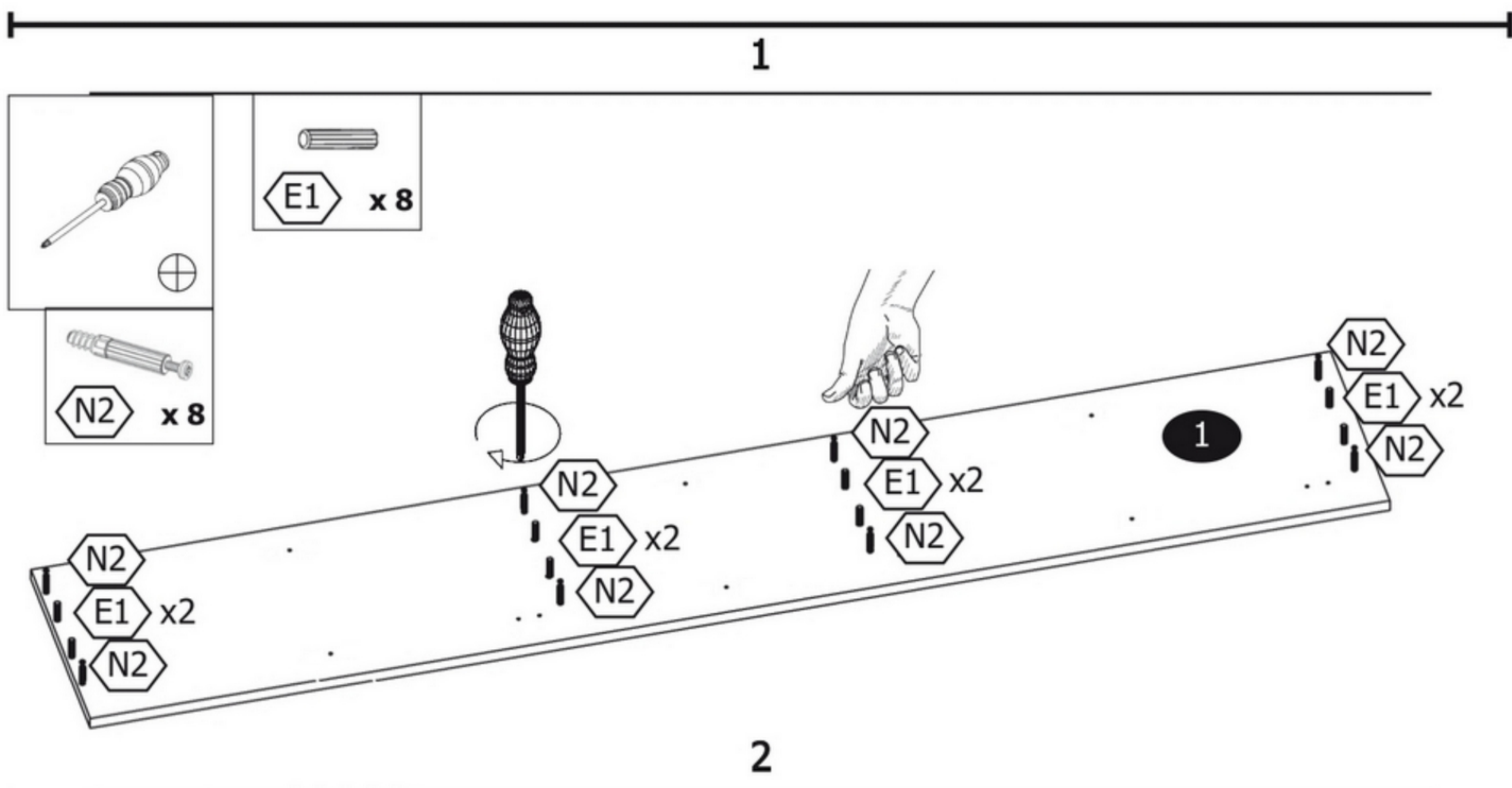


|   |   |  |
|---|---|--|
| <br>M3<br>12x15mm <b>x 16</b>              | <br>N2<br>L=44mm <b>x 16</b>       | <br>S1<br><b>x 12*</b> / <b>x 8</b> 3,5x16mm |
| <br>P9<br>L=30mm <b>x 6*</b> / <b>x 4</b>  | <br>E1<br>8x35mm <b>x 16</b>       | <br>T1<br><b>x 4</b>                         |
| <br>Z1<br><b>x 30</b>                      | <br>A0<br><b>x 6*</b> / <b>x 4</b> | <br>A2<br>ZW <b>x 6*</b> / <b>x 4</b>        |
| <br>U1<br><b>x 3*</b> / <b>x 2</b> L=180mm | <br>D2<br>5x16mm <b>x 12</b>       |  |

□ Model "30", Model "40"  
 \* Model "33", Model "43"

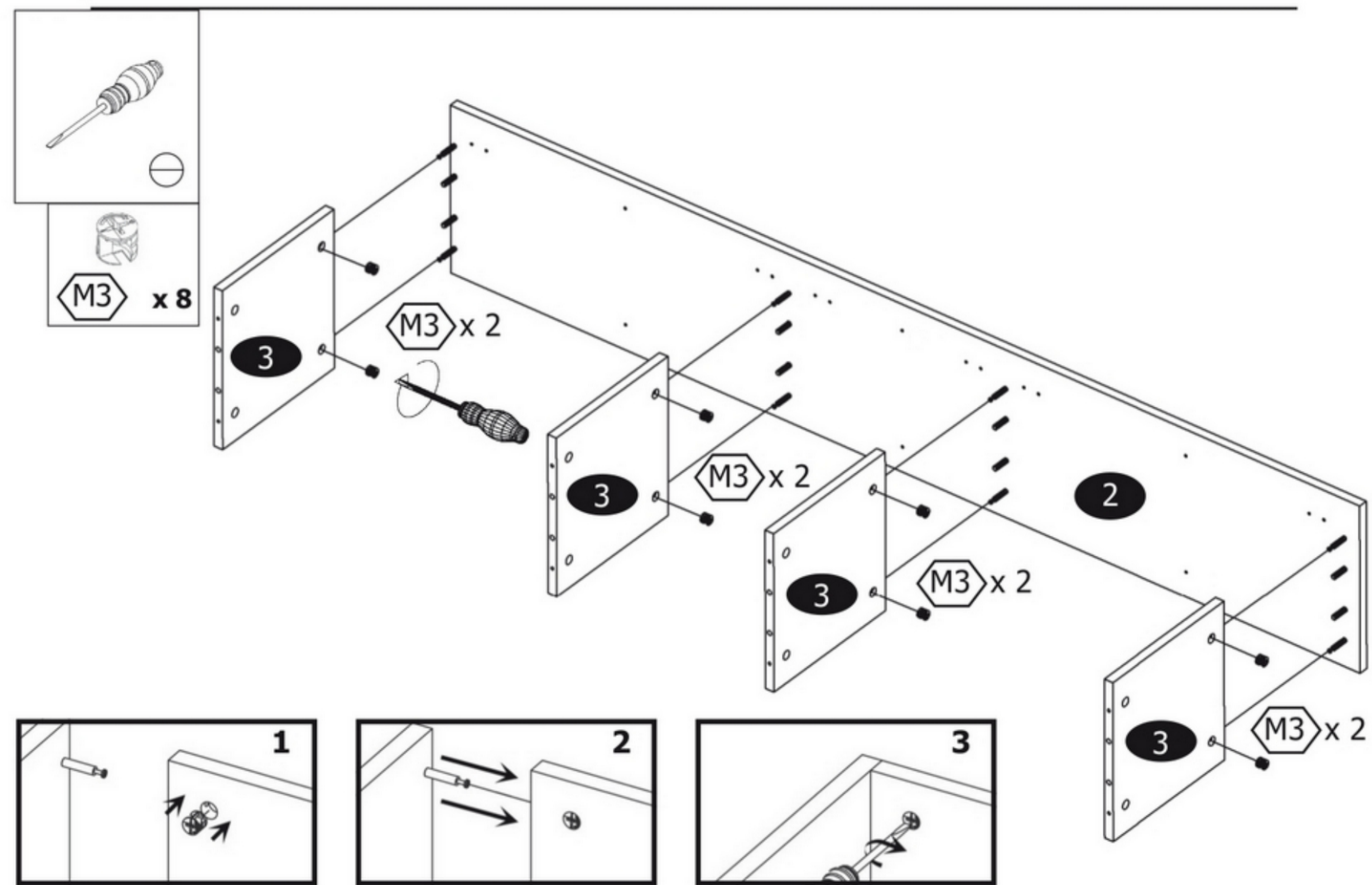
|          | Model "30" | Model "33" | Model "40" | Model "43" |
|----------|------------|------------|------------|------------|
| <b>1</b> | x1         | x1         | x1         | x1         |
| <b>2</b> | x1         | x1         | x1         | x1         |
| <b>3</b> | x4         | x4         | x4         | x4         |
| <b>4</b> | x3         | x3         | x3         | x3         |
| <b>5</b> | x1         | x1         | x1         | x1         |
| <b>6</b> | x1         | x1         | x1         | x1         |
| <b>7</b> | x1         | x1         | x1         | x1         |
| <b>8</b> | x0         | x1         | x0         | x1         |



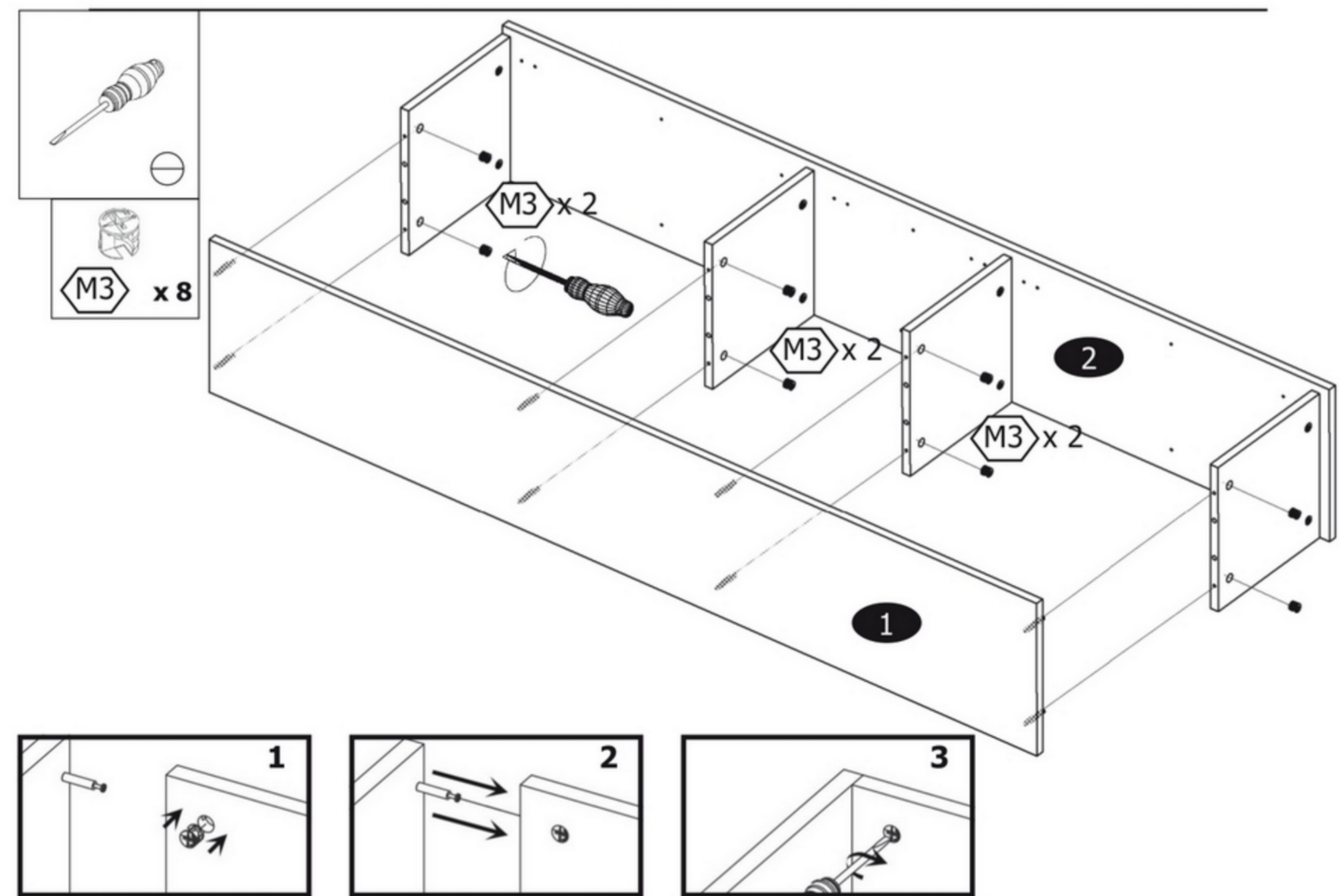




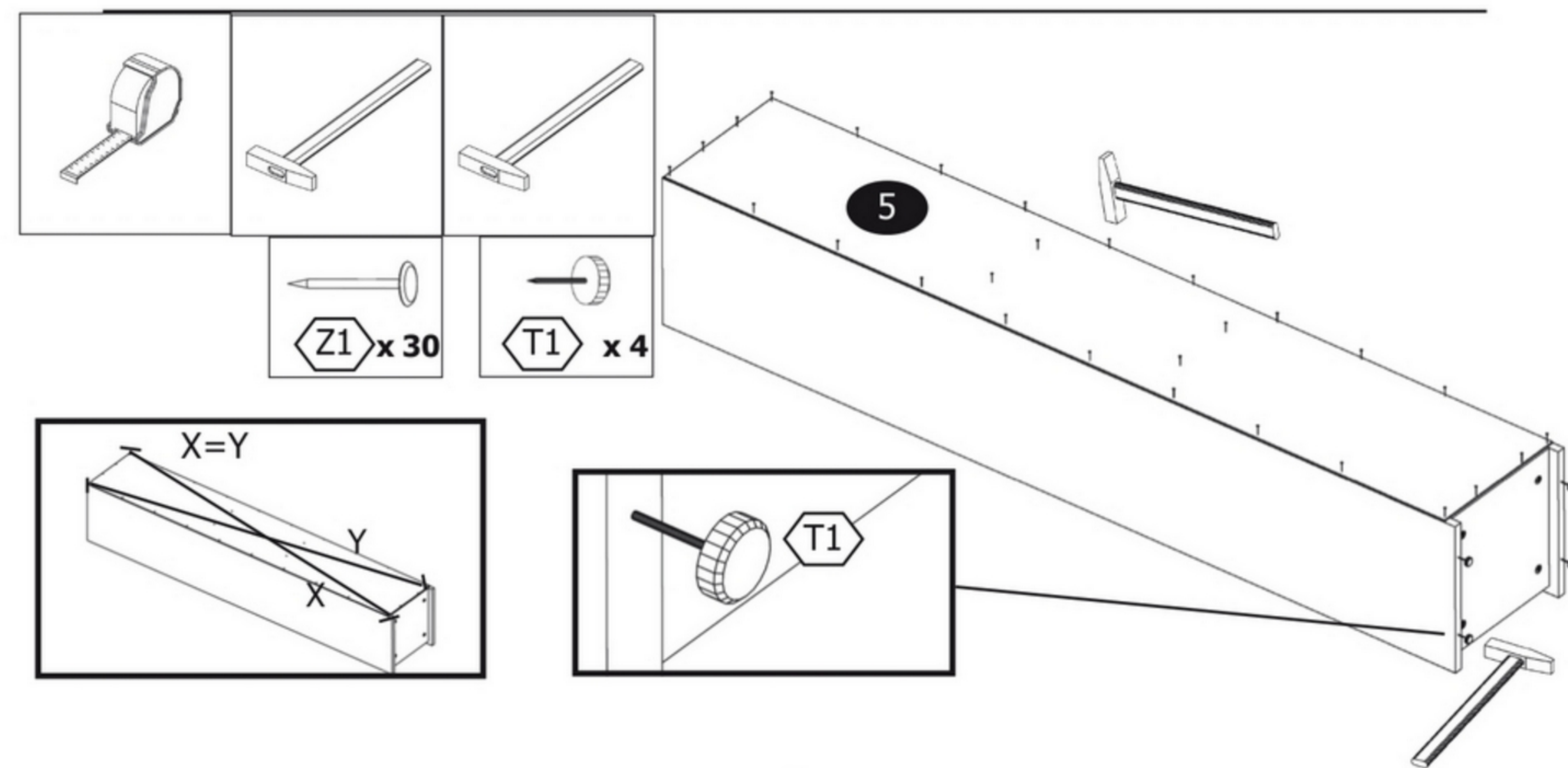
6



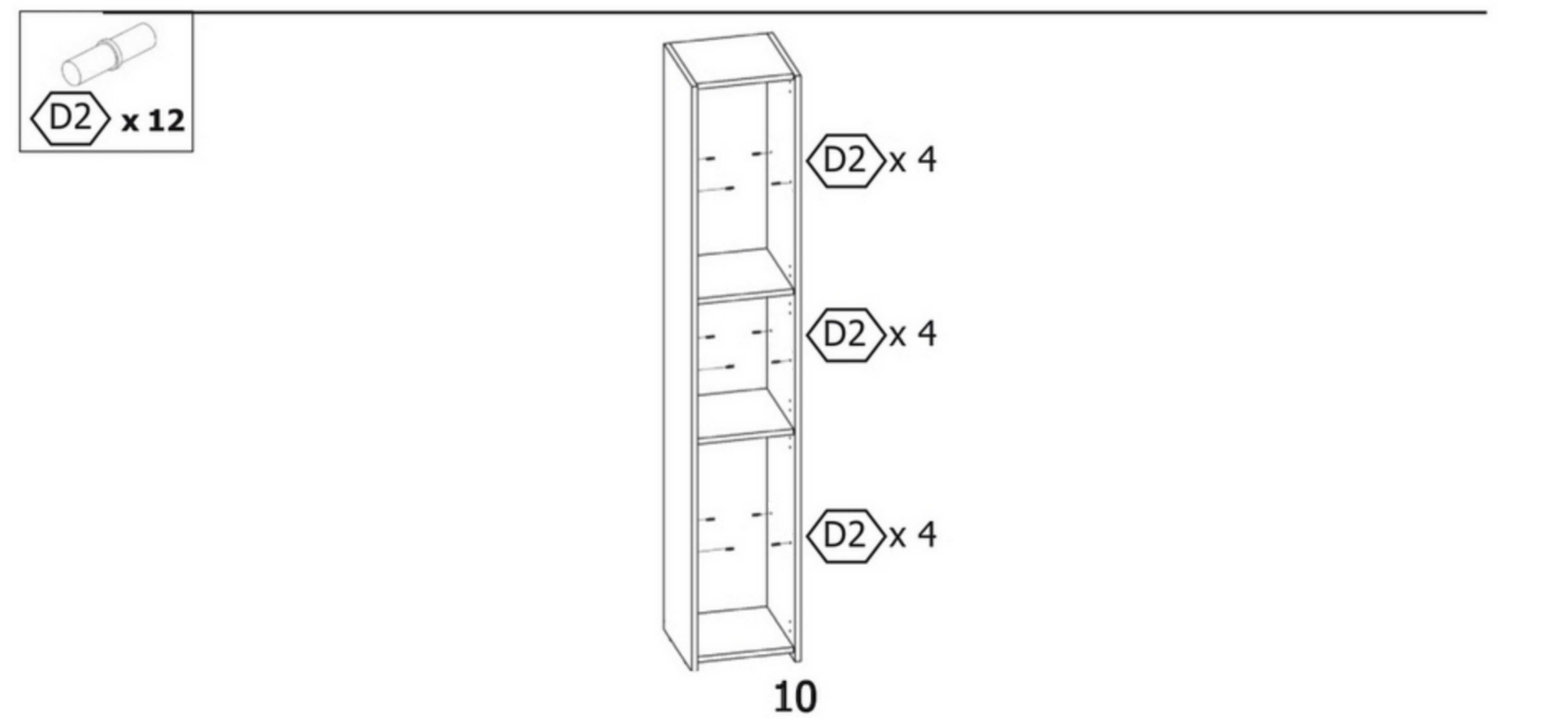
7



8



9



10

