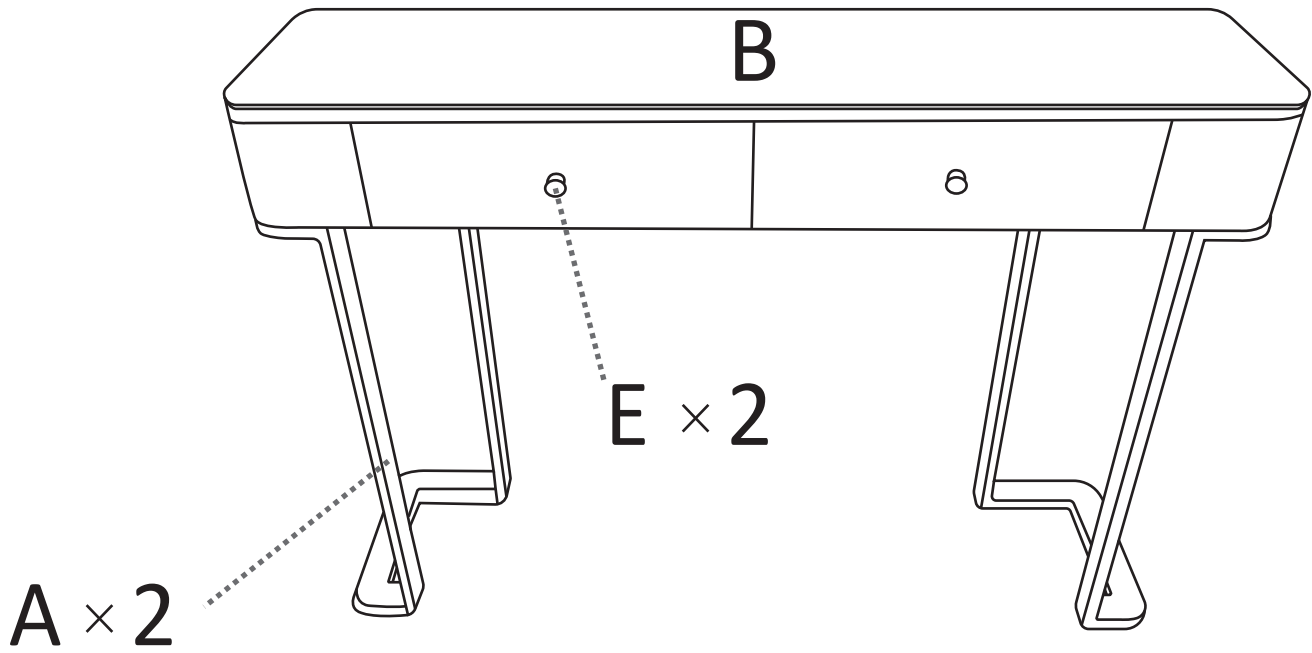
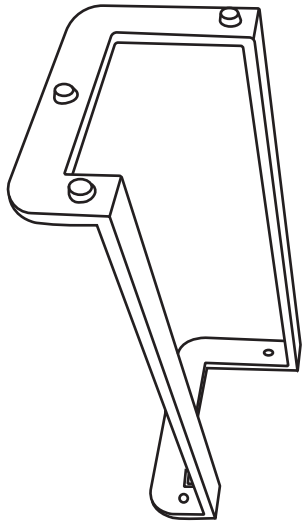


Assembly Instructions

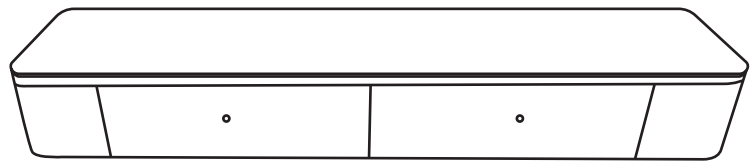


Parts List

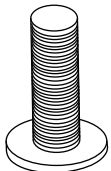
⚠ 'Part E' is in the 'drawer B'
Open the hardware check all parts QTY, thanks



A × 2



B × 1



C × 6



D × 6

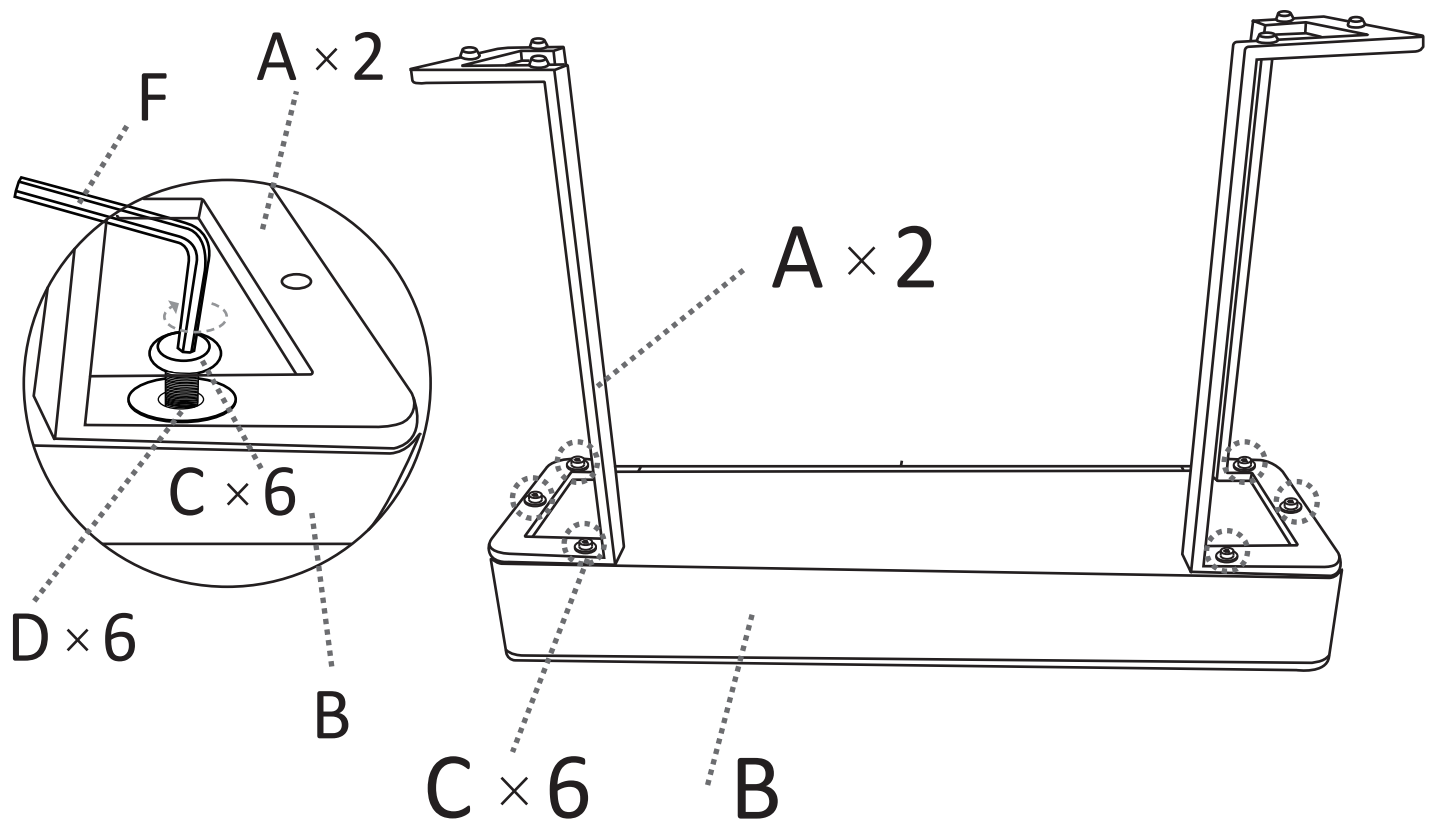


E × 2



F × 1

Step 1



Step 2

ⓘ 'Part E' is in the 'drawer B'

