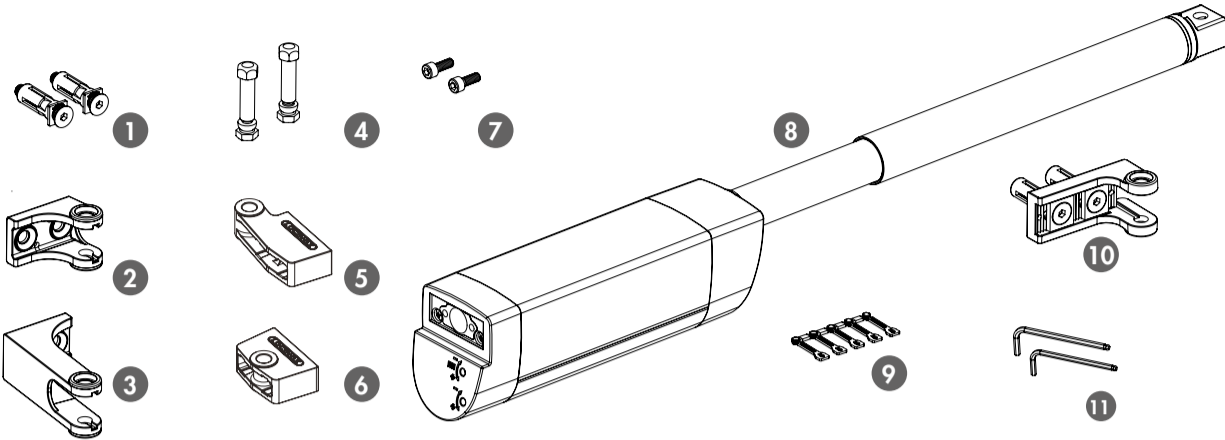


# LOCINOX®

Let's make better fences together

## SAMSON-2: INSTALLATION INSTRUCTION

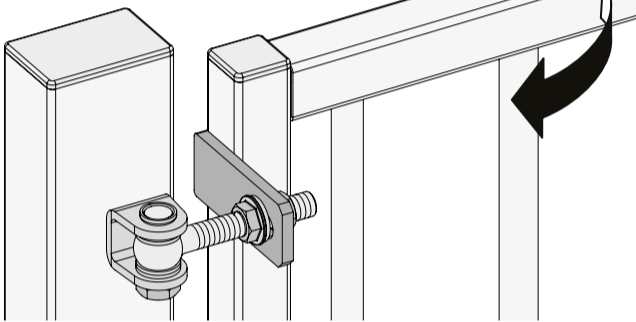
### ① Package content



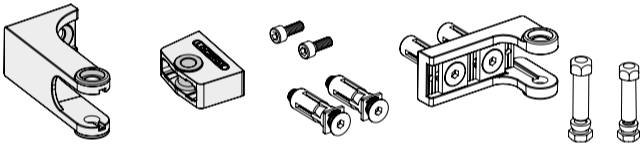
①	Quick-Fix
②	90° post bracket
③	180° and Moroccan post bracket
④	Fixation bolts
⑤	90° tail bracket
⑥	180° and Moroccan tail bracket
⑦	Tail bracket bolts
⑧	Samson-2 gate closer
⑨	Plastic filler plugs
⑩	Gate bracket
⑪	Allen Keys (3 and 5 mm)

### 180° hinges

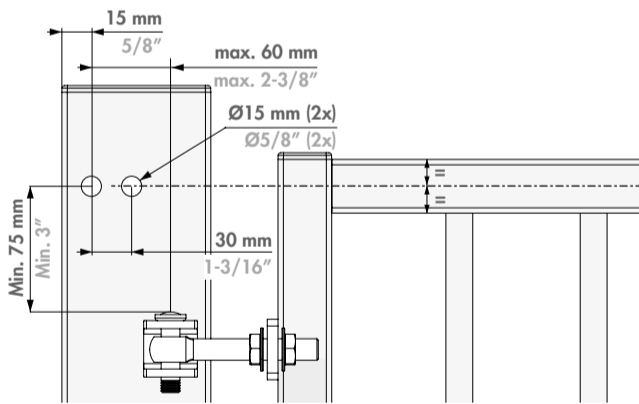
#### ② Mounting Situation



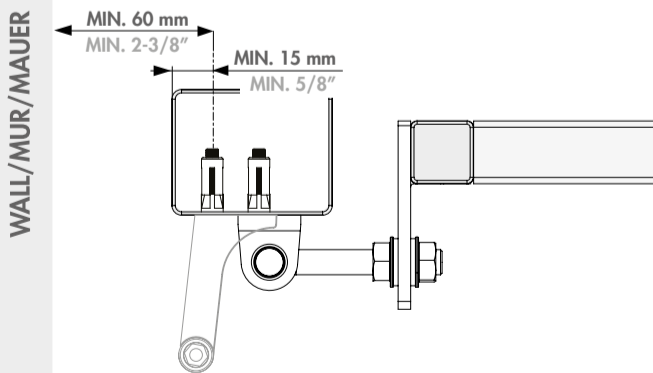
#### ③ Accessories



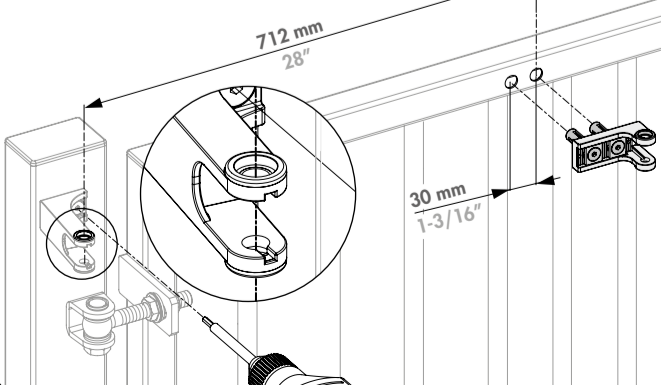
#### ④ Profile and gate preparation



#### ⚠ Min. distance to respect from post to wall

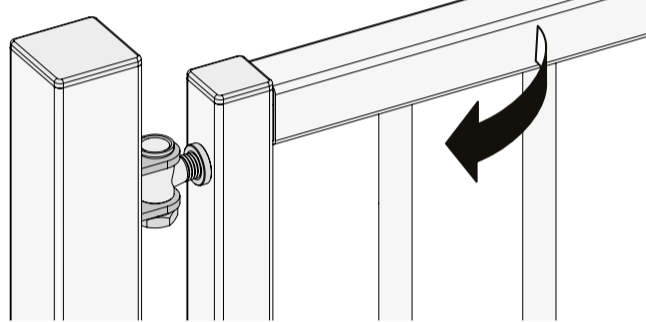


#### ⑤ Mounting the brackets

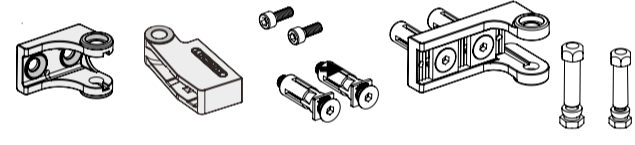


### 90° hinges

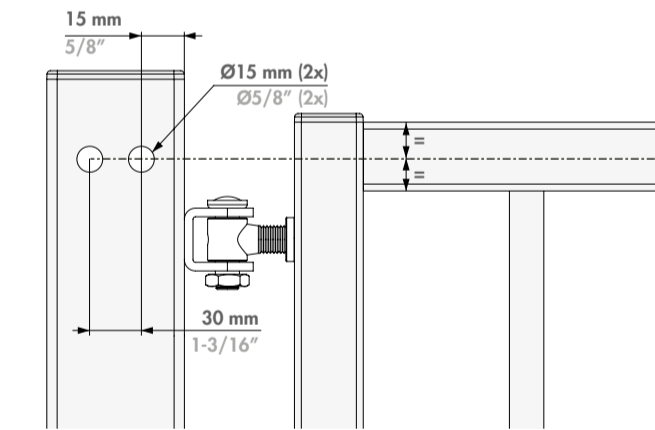
#### ② Mounting Situation



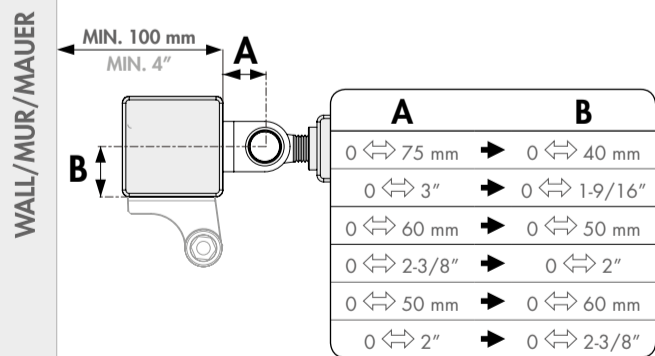
#### ③ Accessories



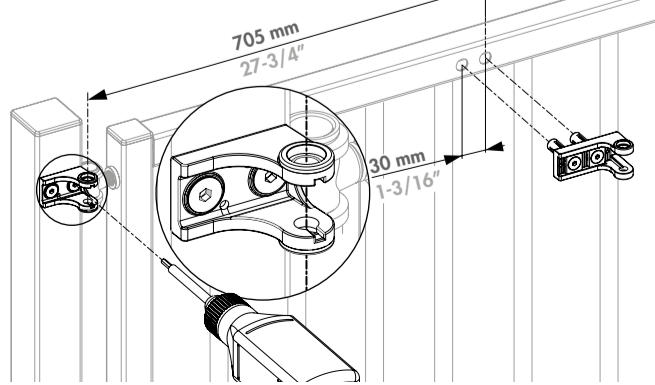
#### ④ Profile and gate preparation



#### ⚠ Min. distance to respect from post to wall

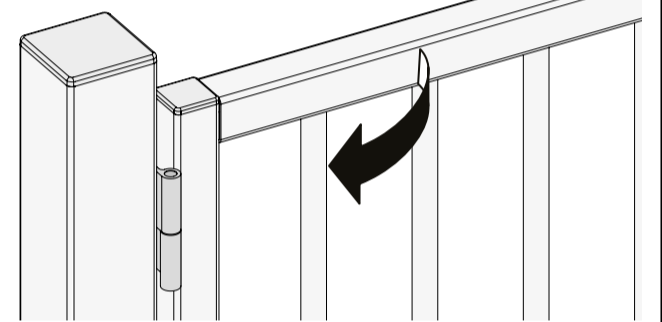


#### ⑤ Mounting the brackets

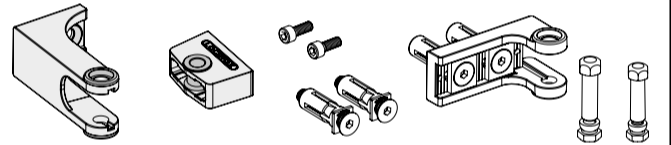


### Moroccan Hinge

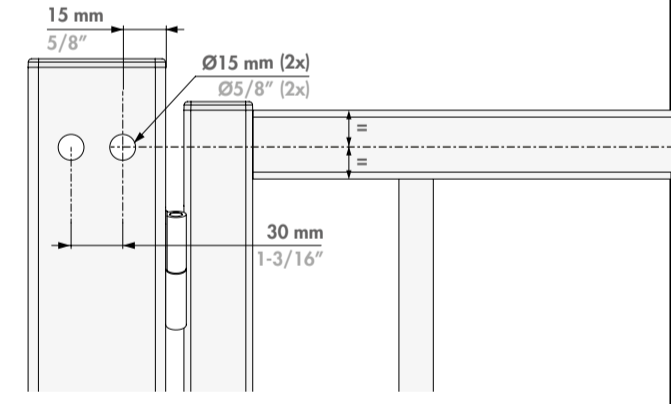
#### ② Mounting Situation



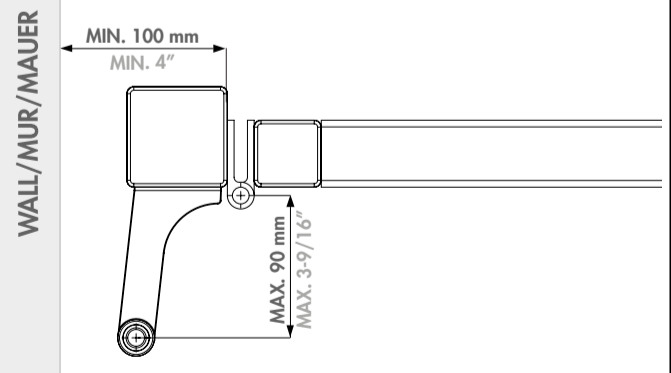
#### ③ Accessories



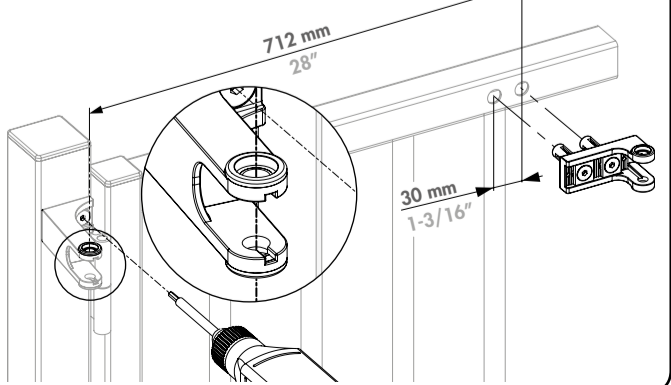
#### ④ Profile and gate preparation



#### ⚠ Min. distance to respect from post to wall

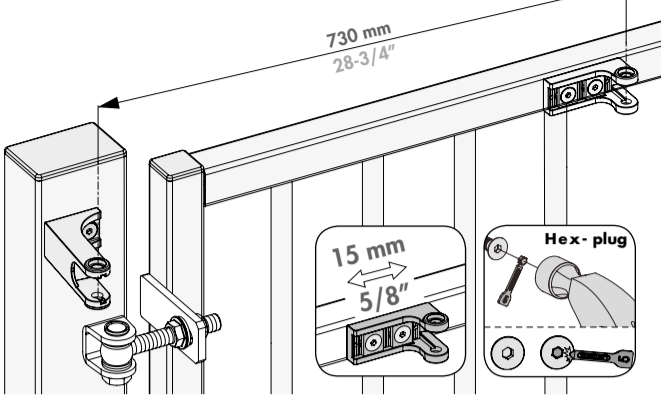


#### ⑤ Mounting the brackets

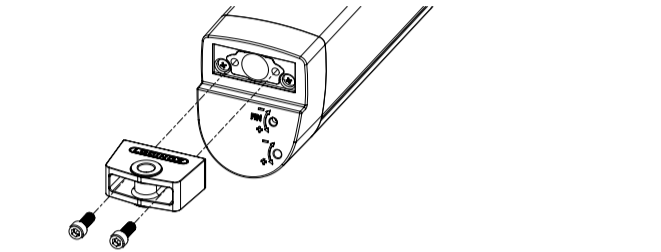


## 180° hinges

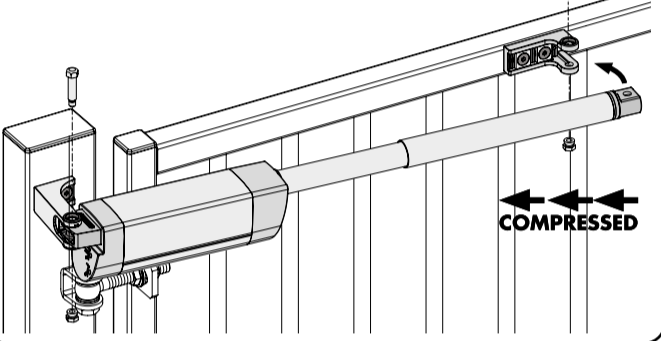
### ⑥ Mounting the brackets



### ⑦ Samson-2 tail bracket installation

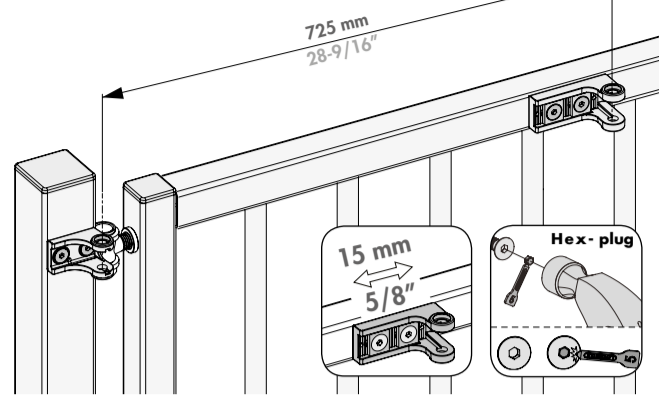


### ⑧ Gate closer installation

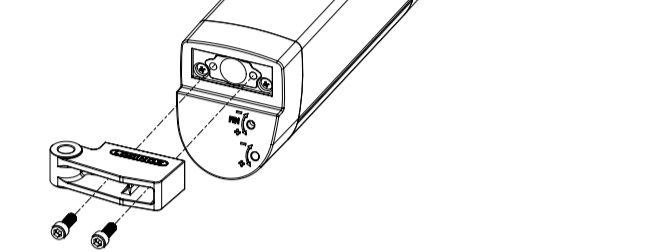


## 90° hinges

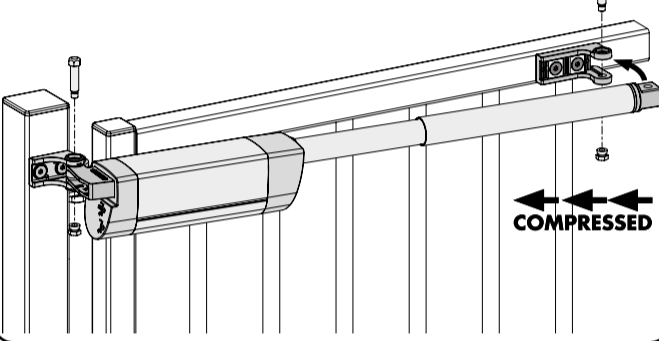
### ⑥ Mounting the brackets



### ⑦ Samson-2 tail bracket installation

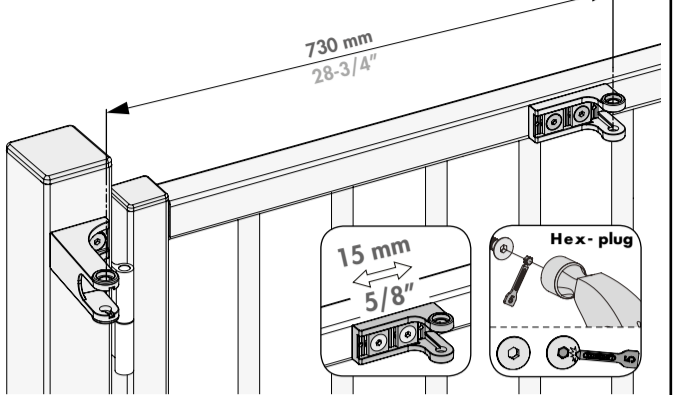


### ⑧ Gate closer installation

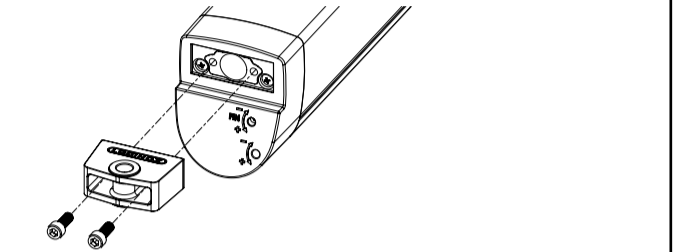


## Moroccan Hinge

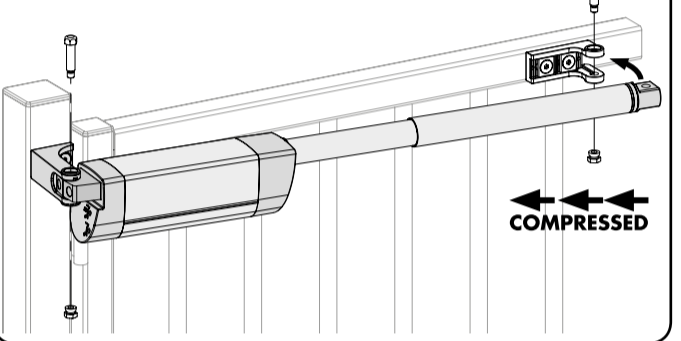
### ⑥ Mounting the brackets



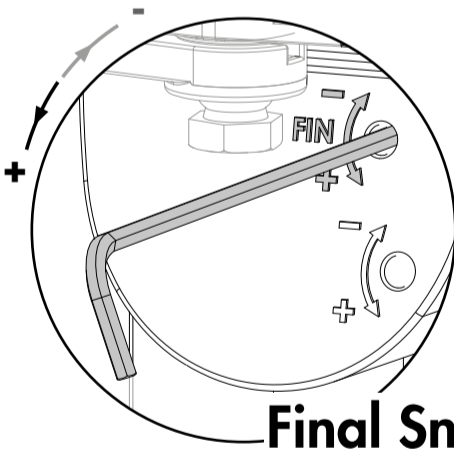
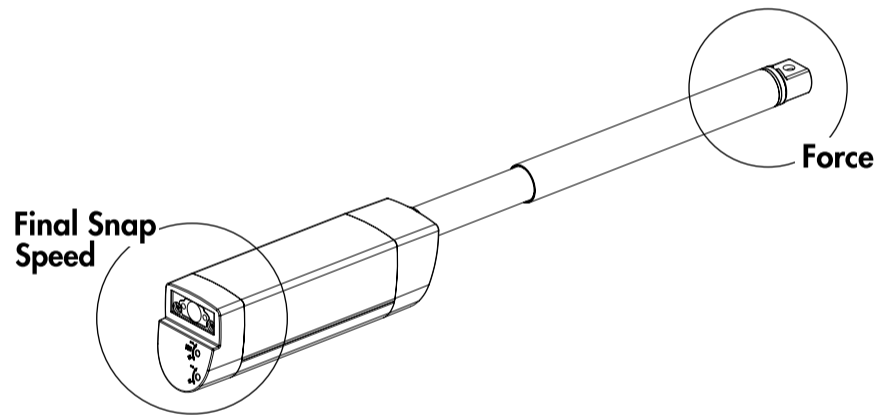
### ⑦ Samson-2 tail bracket installation



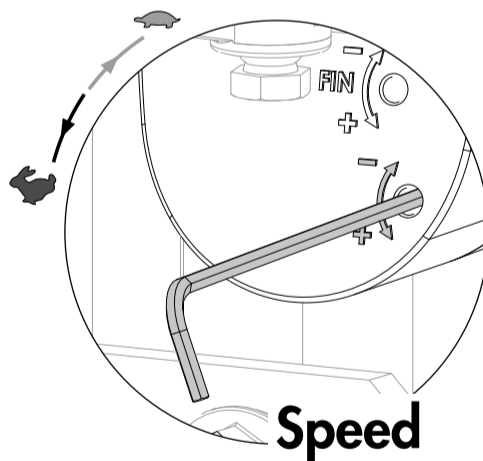
### ⑧ Gate closer installation



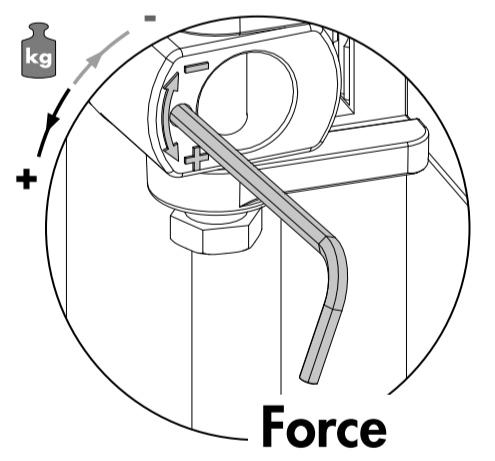
### ⑨ Adjusting (3 mm Allen Key)



**Final Snap**



**Speed**



**Force**

### ⑩ Anti-theft protection

