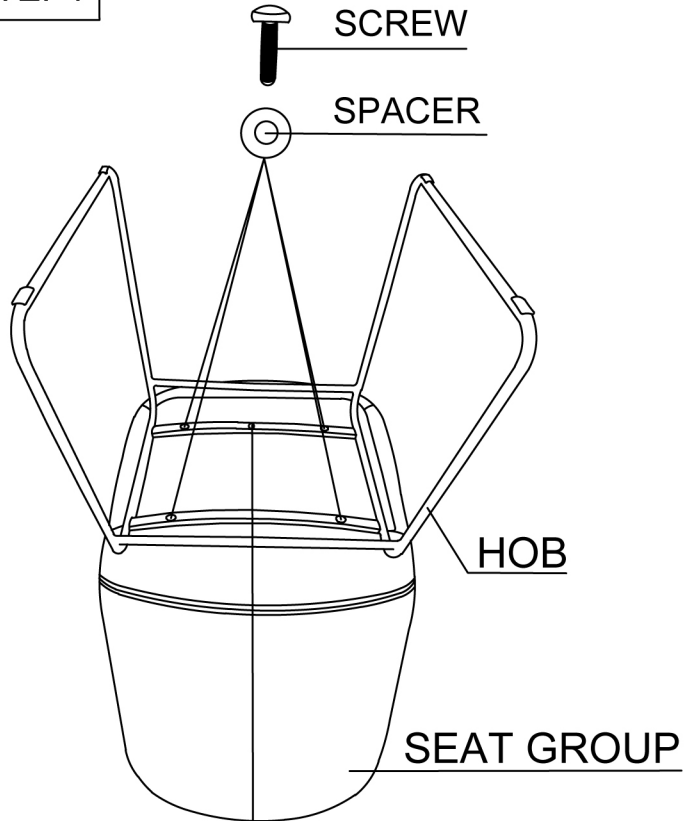


## ASSEMBLY INSTRUCTION

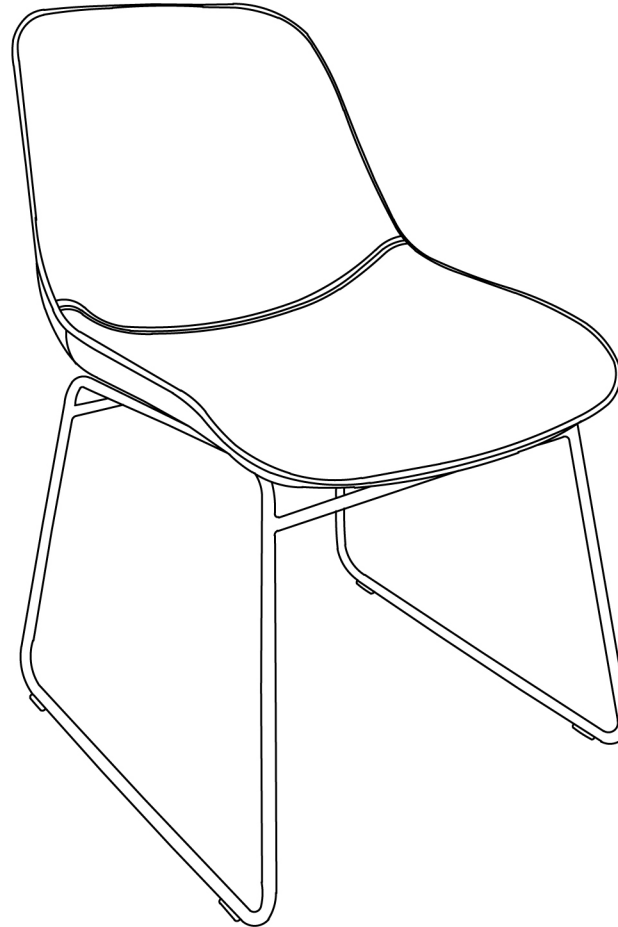
## ▽ ASSEMBLY PROGRAM

STEP1



turn over the frame, this part is the front frame

FINISH

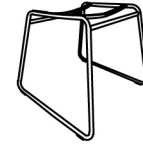


## ▽ PARTS\*QTY

SEAT GROUPx1



HOBx1



SCREW(M6X25mm)x4



SPACER(M6X18mm)x4



SPANNERx1

