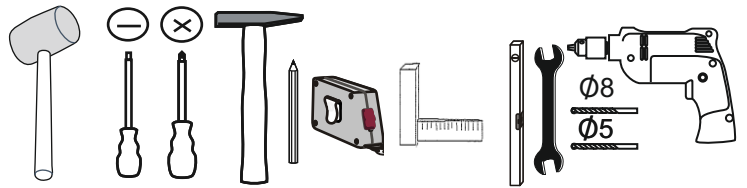
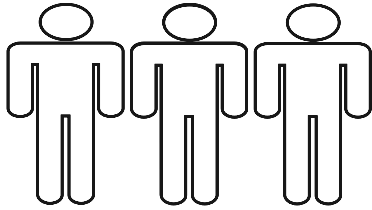



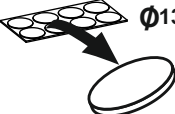
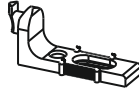
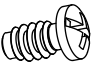
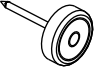




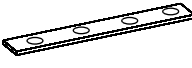

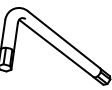

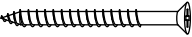
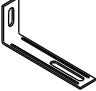




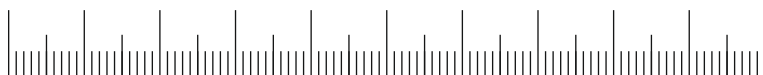


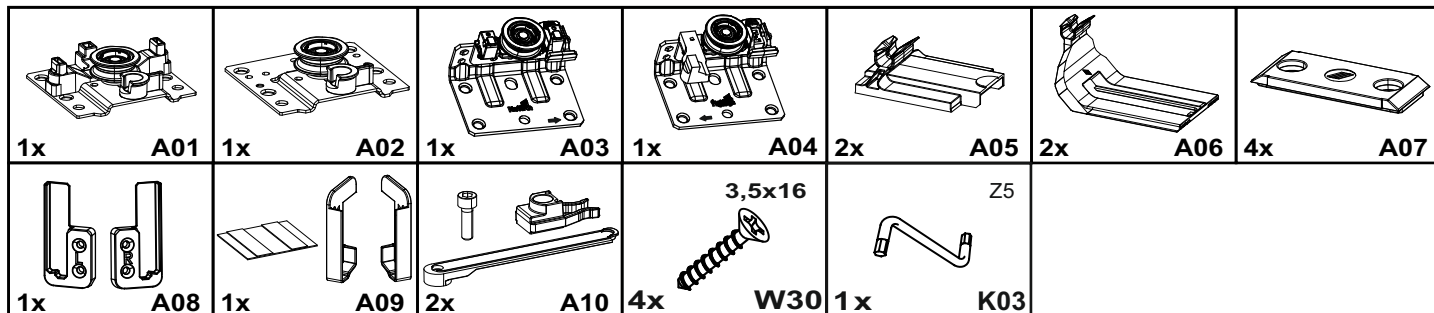
NR	DIM	QTE	COLLI
1	986x515x22	1	1/7
2	986x535x15	1	1/7
3	827x50x15	2	1/7
4	827x50x15	2	1/7
5	986x50x15	1	1/7
6	986x50x15	1	1/7
7	986x535x15	1	1/7
8	827x535x15	2	2/7
9	827x515x22	2	2/7
10R	827x535x15	1	2/7
10L	827x535x15	1	2/7
11	2095x551x15	1	3/7
12	2033x2x993	1	3/7
13	2095x580x15	1	3/7
14	2094x535x15	2	4/7
15	2033x834x2	2	4/7
16	1365x341,5x15	2	5/7;6/7
17	1365x341,5x15	6	5/7;6/7
18	1365x341,5x15	4	5/7;6/7



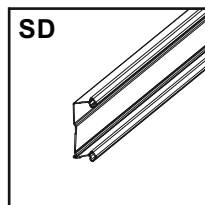
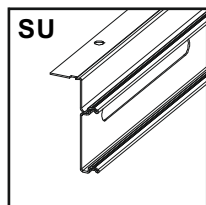
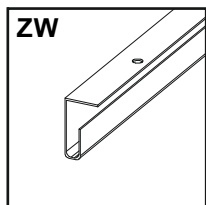
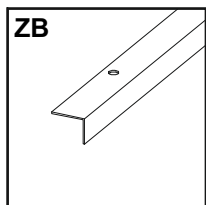
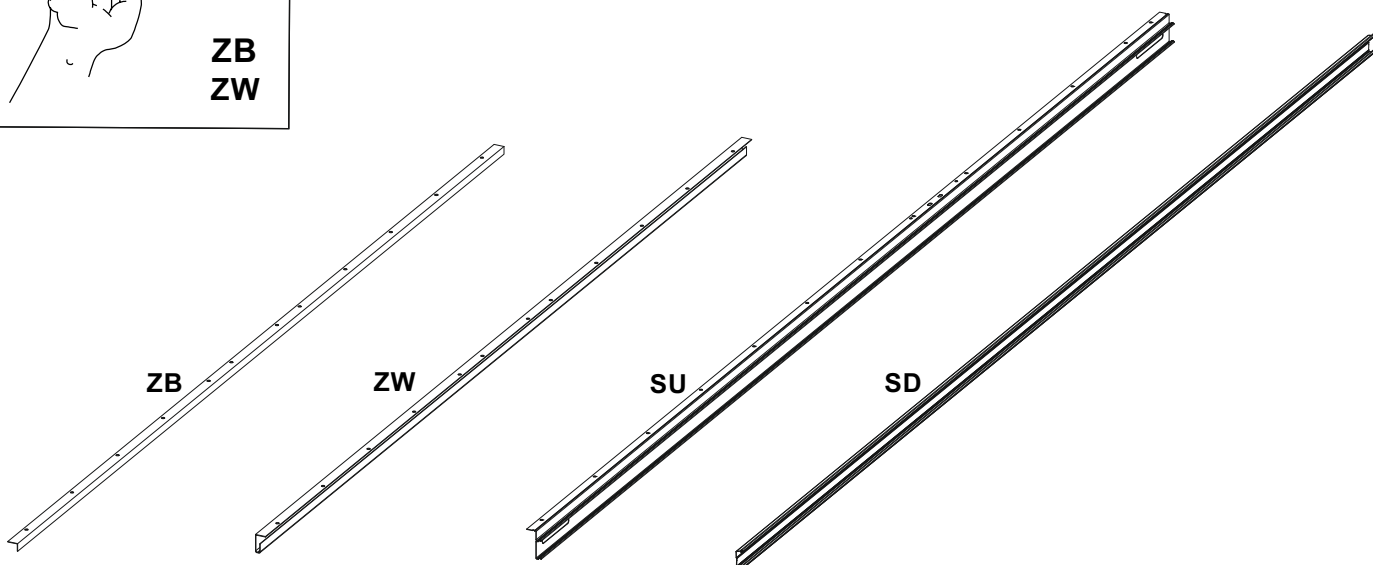
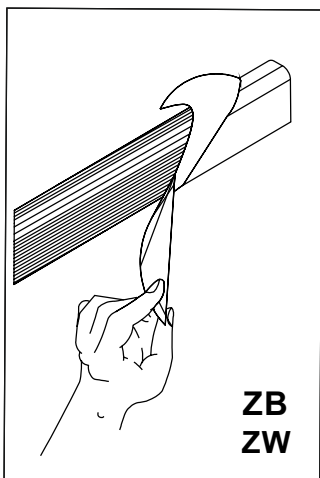
 48x T05	 48x T04	 18x W16	 18x C02	 24x R02	 24x W20	 20x S01
 6x E03	 214x W02	 24x W12	 12x W49	 30x W08	 3x Za2	 1x K02
 2x F01	 2x F11	 2x F13	 4x W07	 1x J01	 2x J02	 4x KL2

0 10 20 30 40 50 60 70 80 90 100

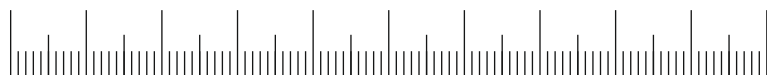




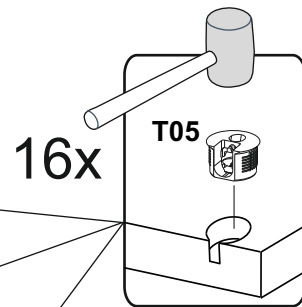
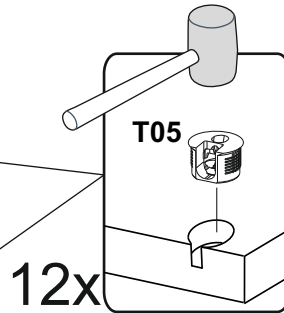
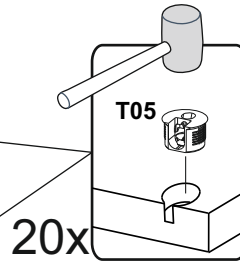
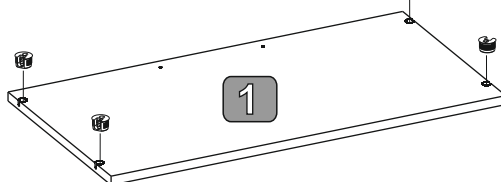
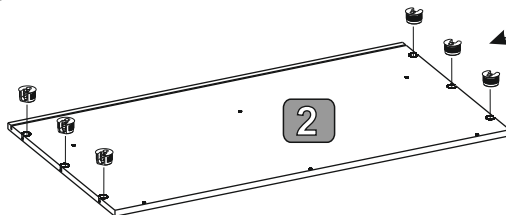
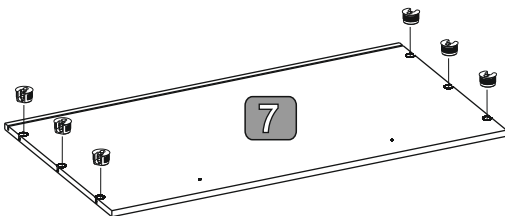
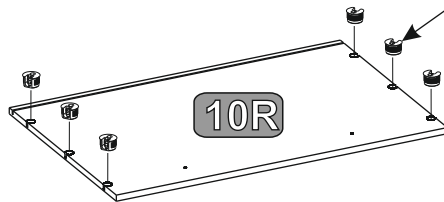
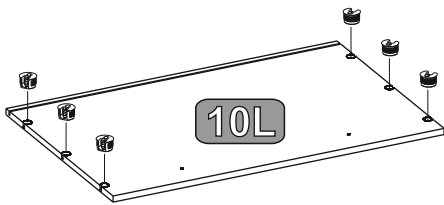
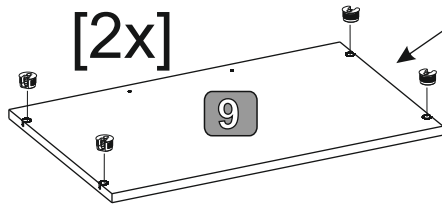
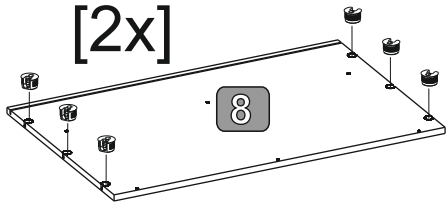
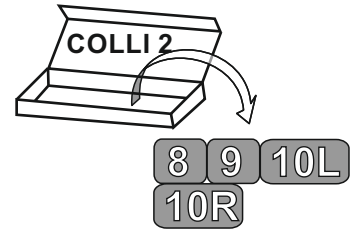
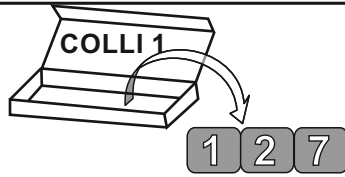
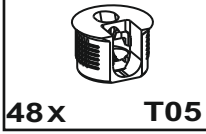
NR	DIM	QTE	COLLI
ZB	L-2050	1	7/7
ZW	L-2050 H-37	3	7/7
SU	L-2668	1	7/7
SD	L-2664	1	7/7



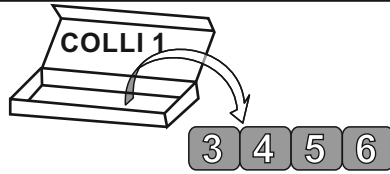
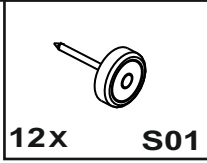
0 10 20 30 40 50 60 70 80 90 100



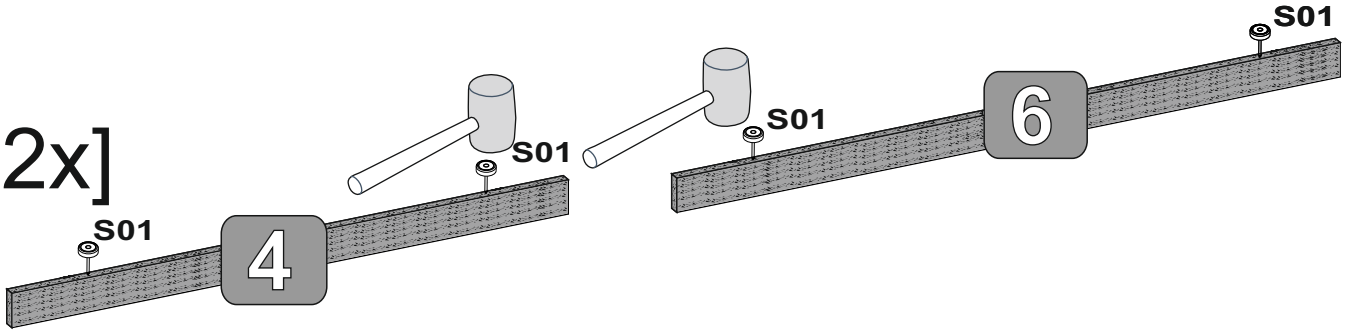
1



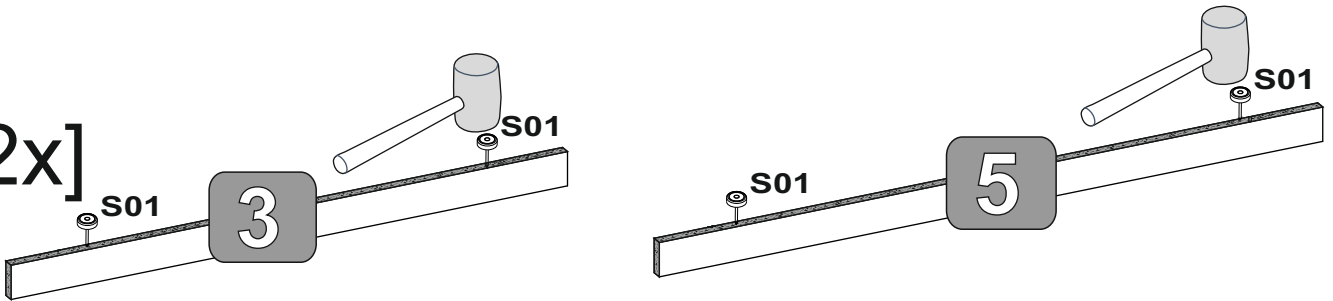
2



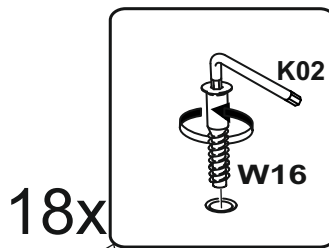
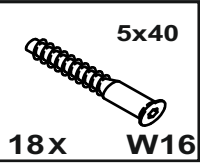
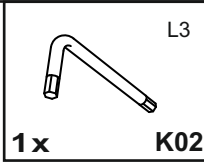
[2x]



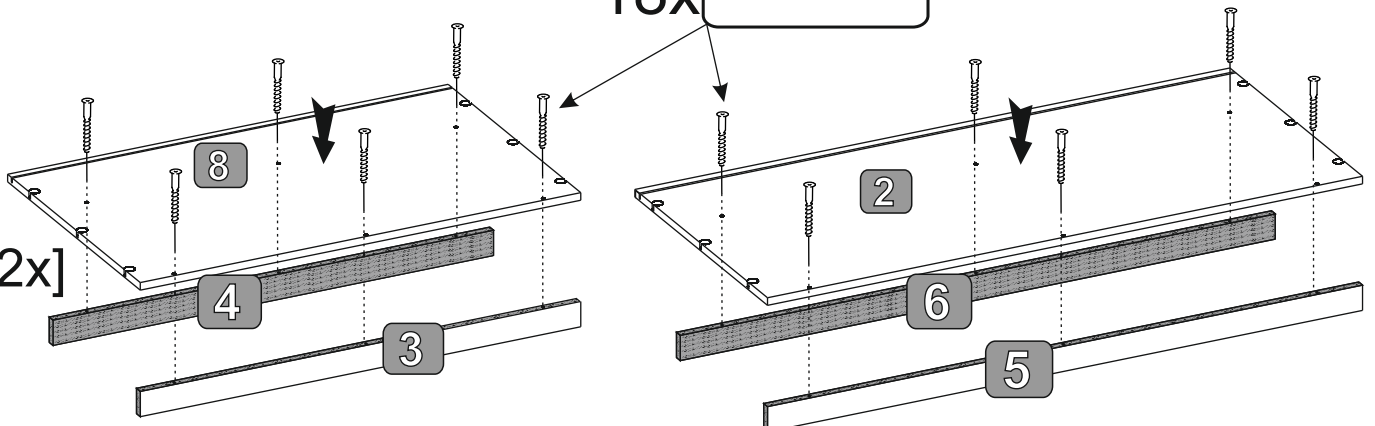
[2x]







3

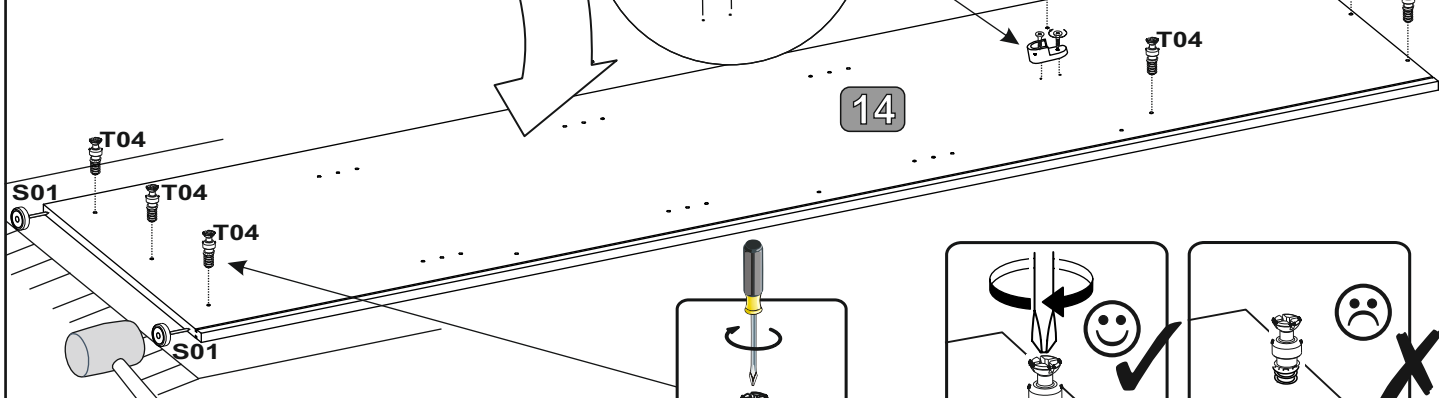
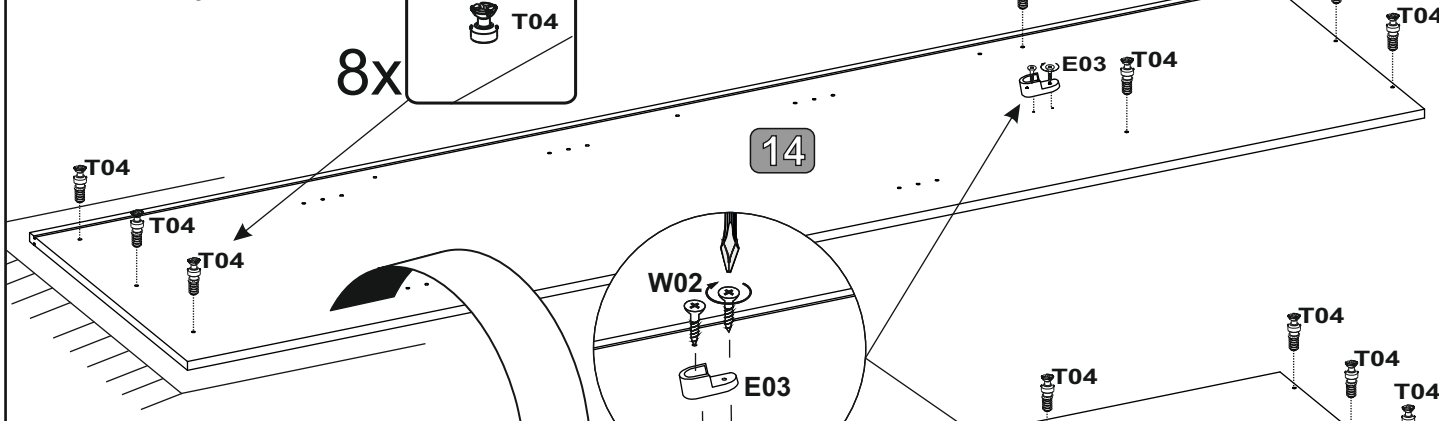
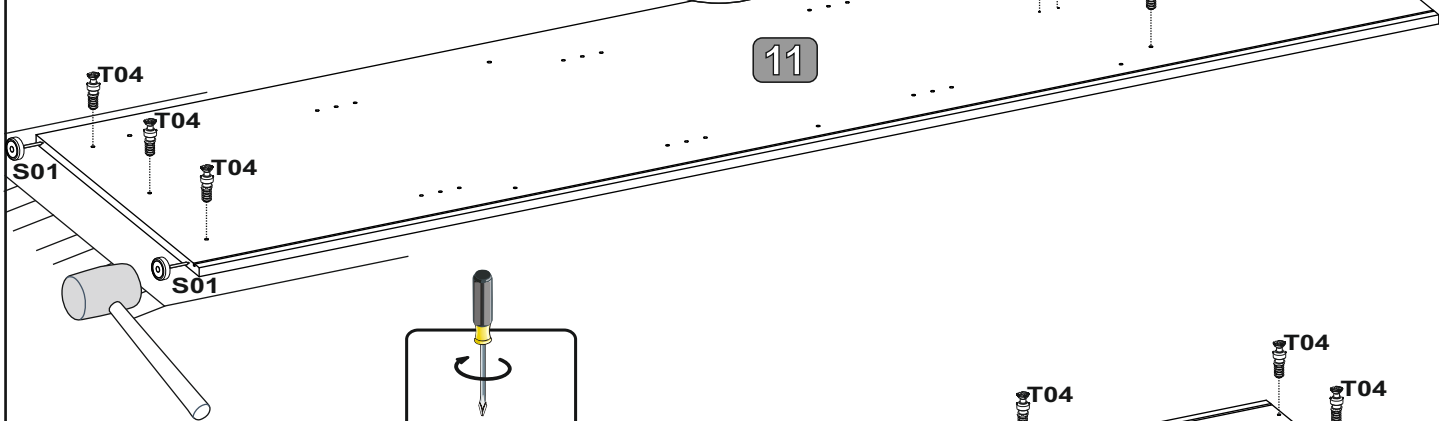
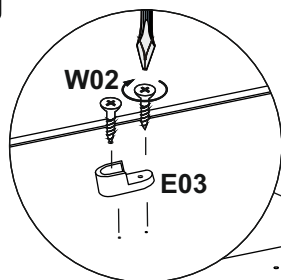
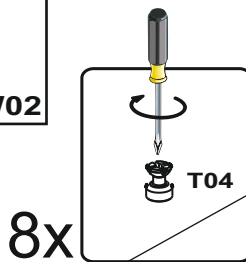
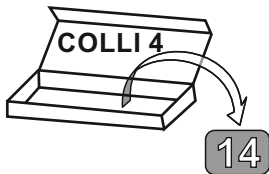
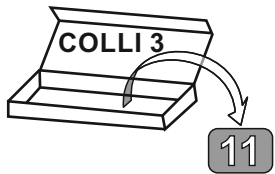


[2x]

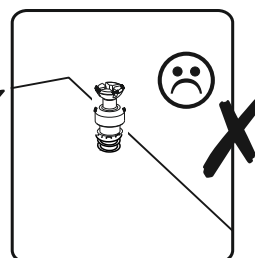
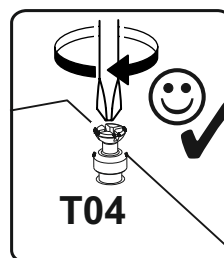
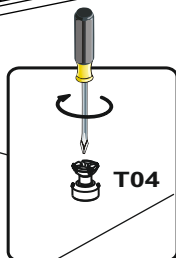


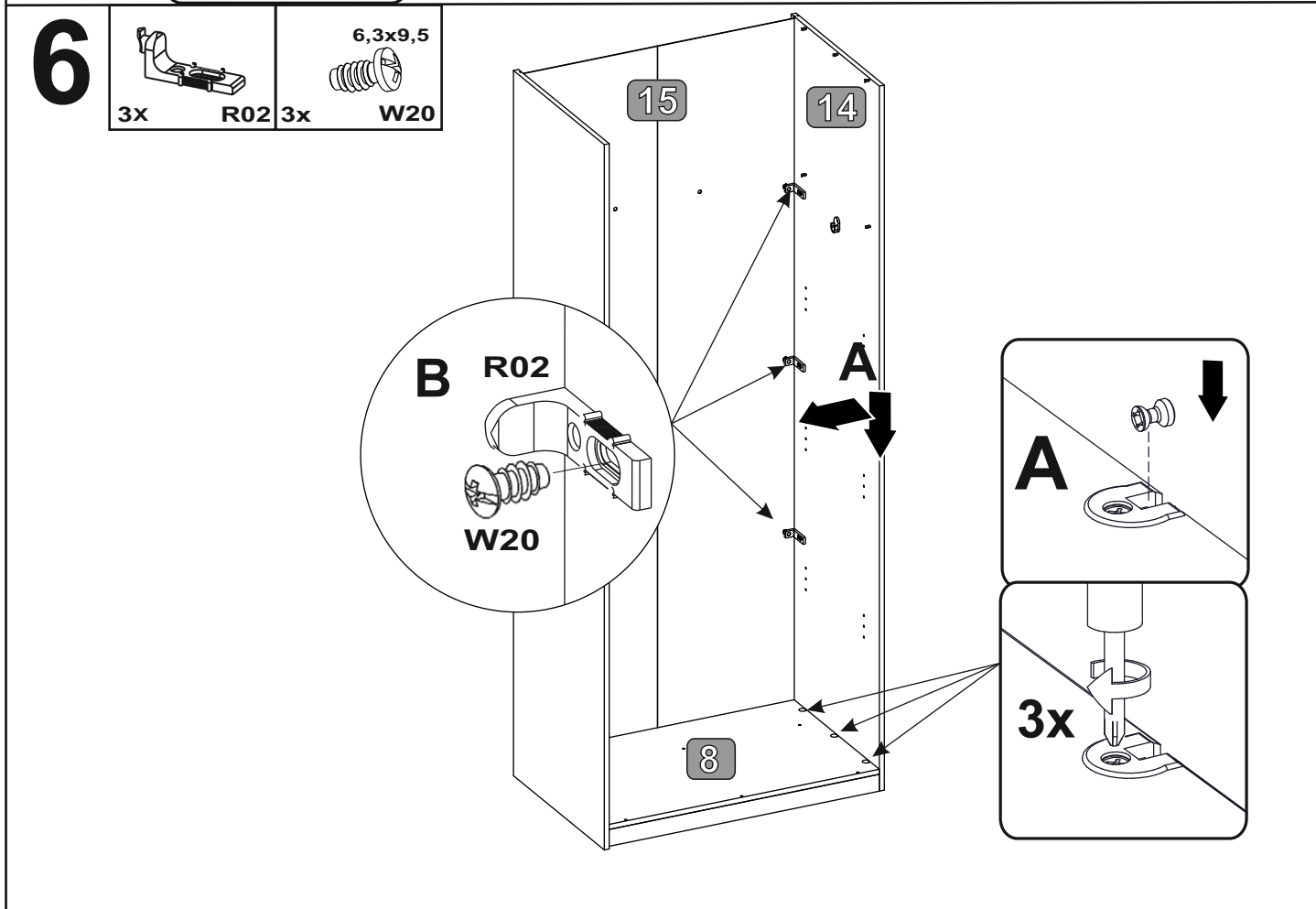
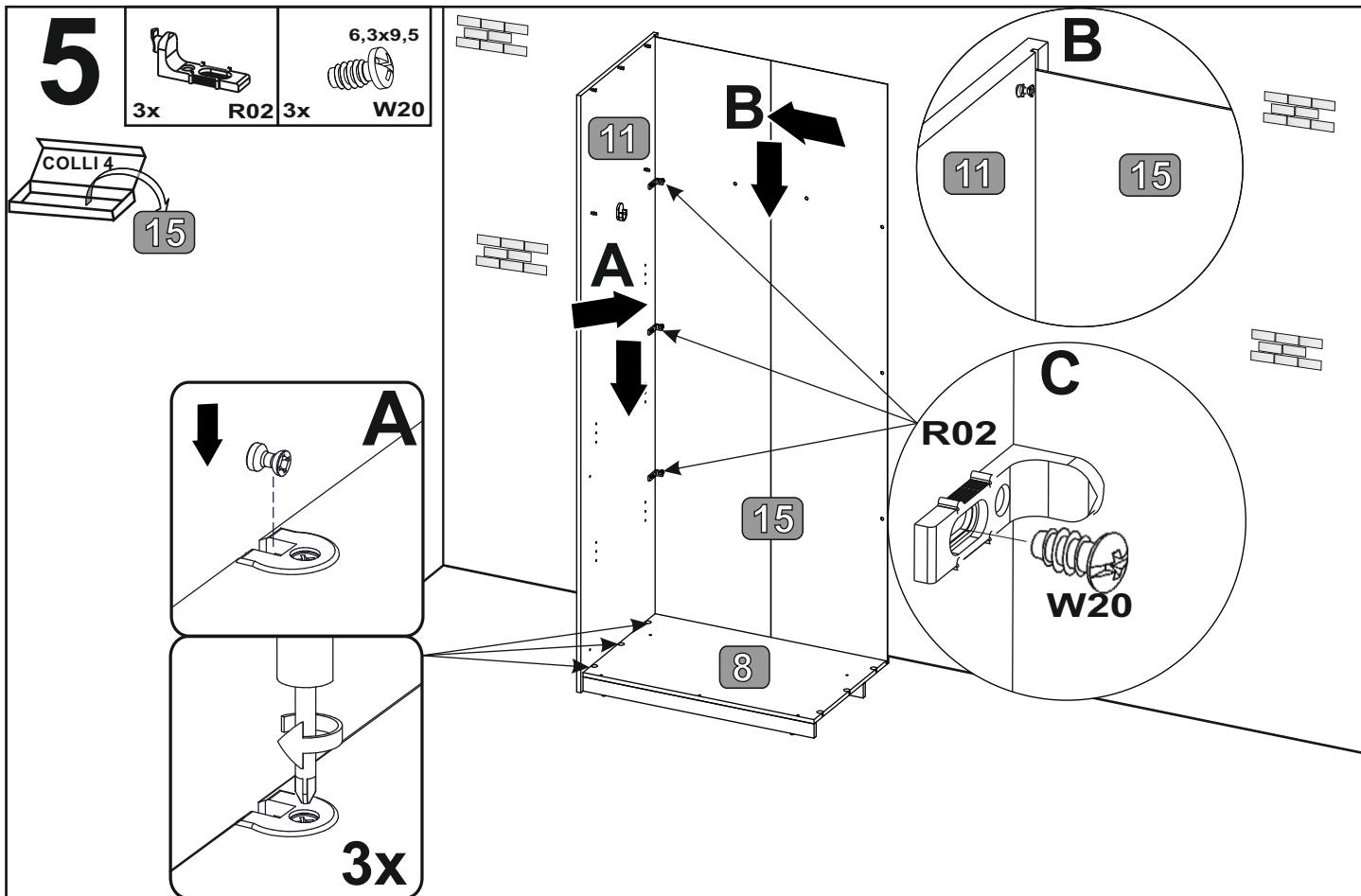
4

4x		S01	24x		T04	3x		E03	6x		W02
----	---	-----	-----	---	-----	----	---	-----	----	---	-----

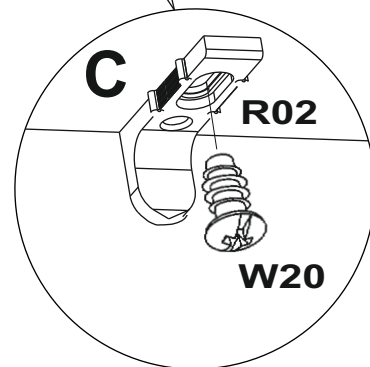
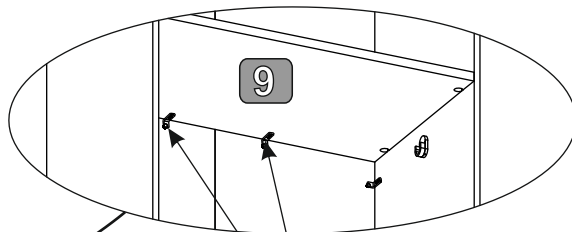
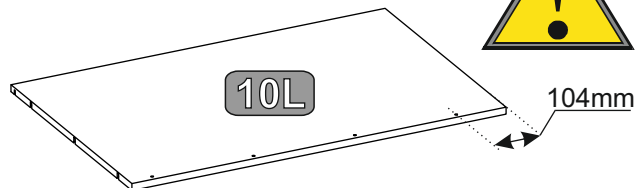
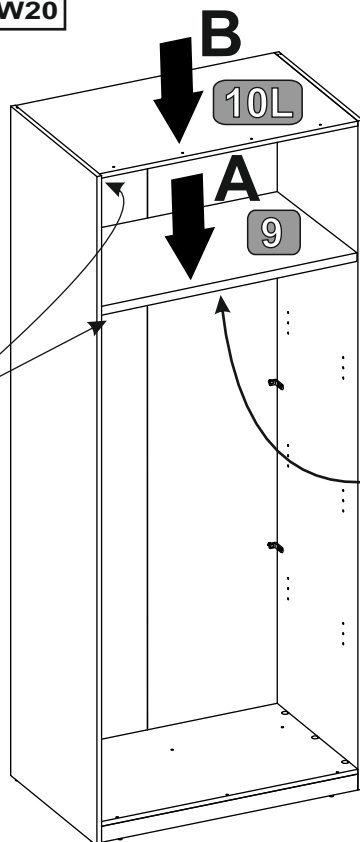
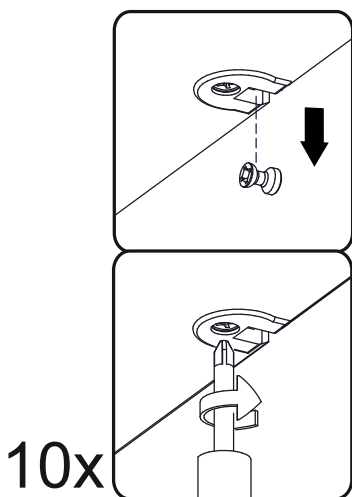
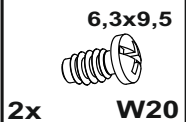


8x

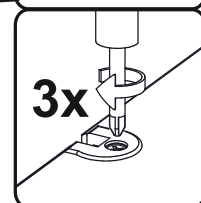
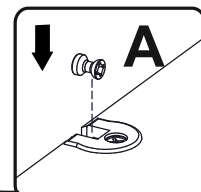
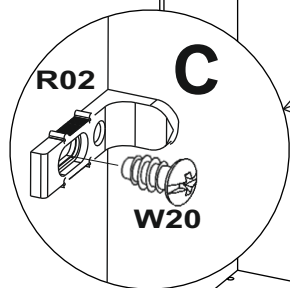
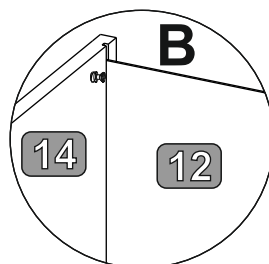
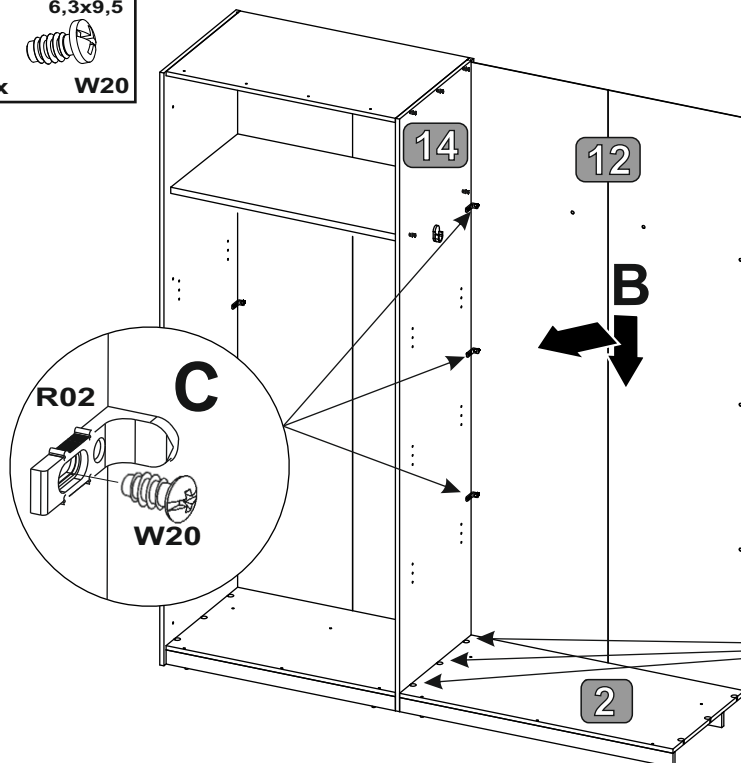
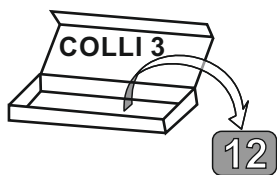




7



8



9

4x



S01

24x



T04

3x



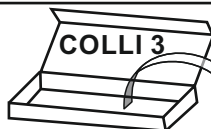
E03

6x



W02

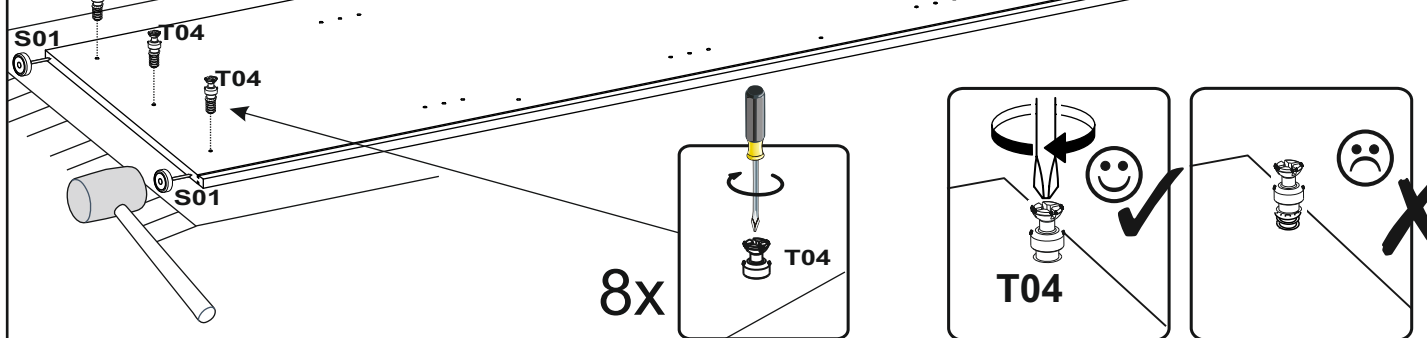
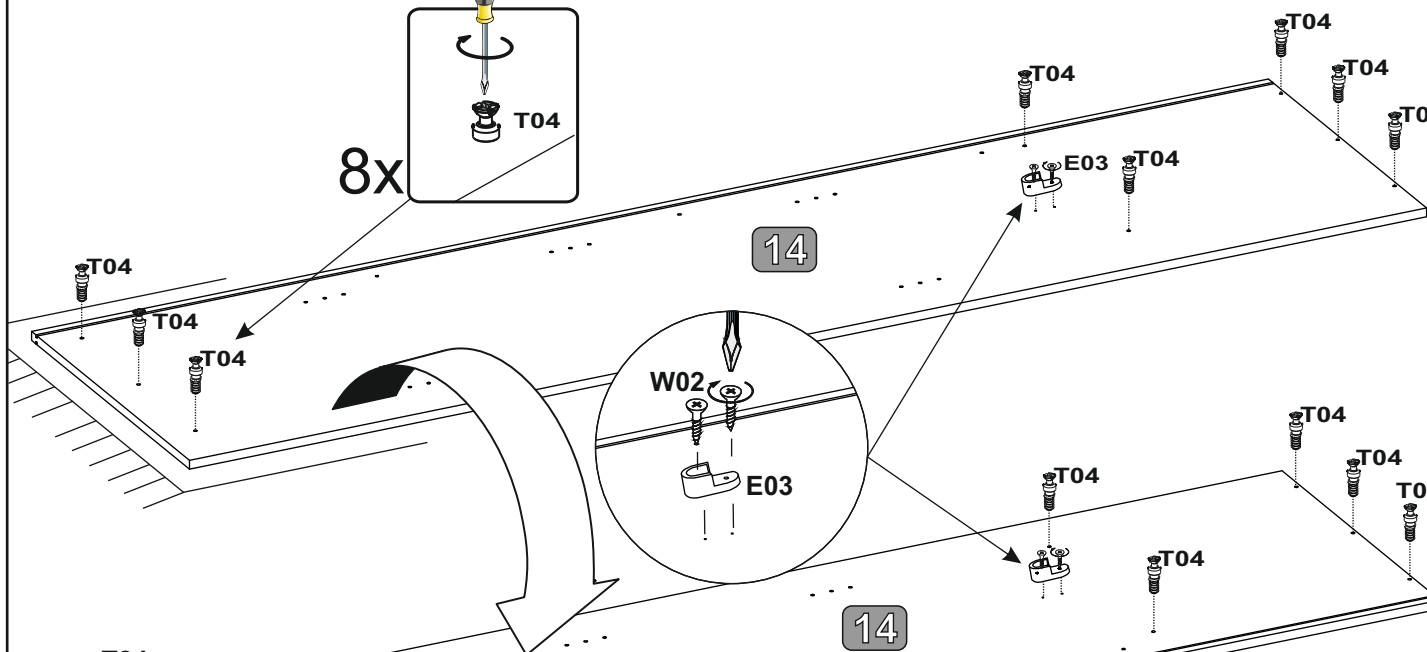
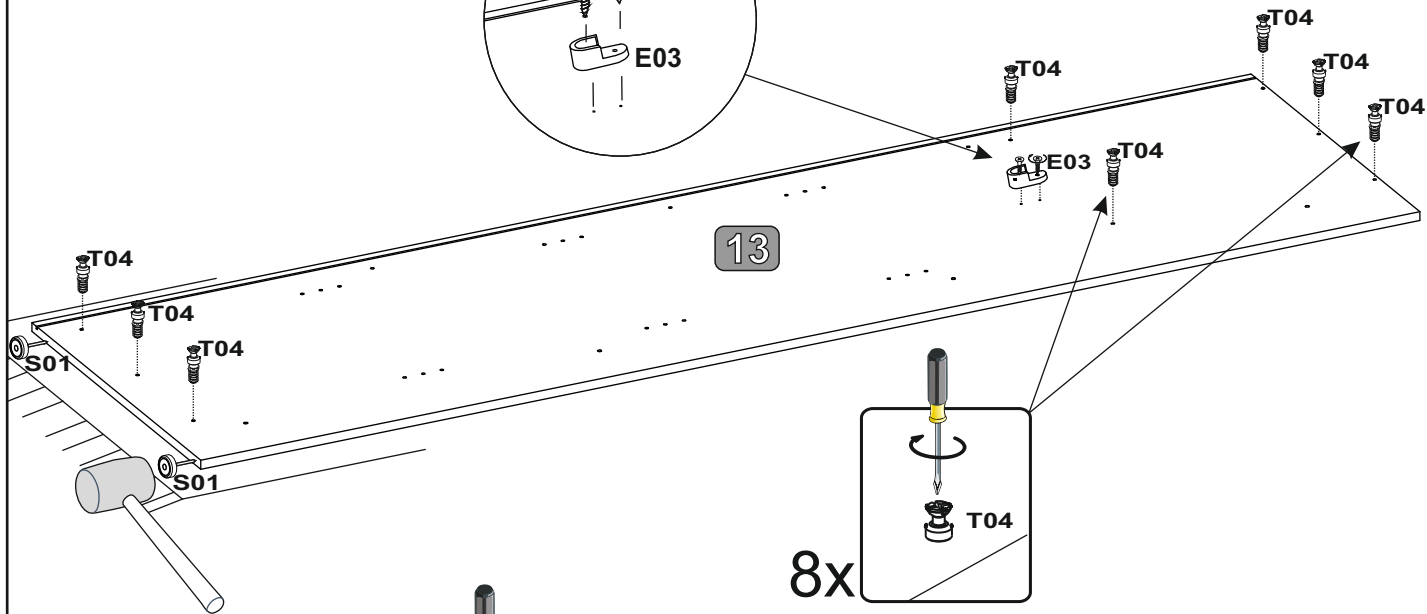
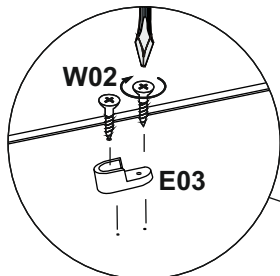
3,5x13



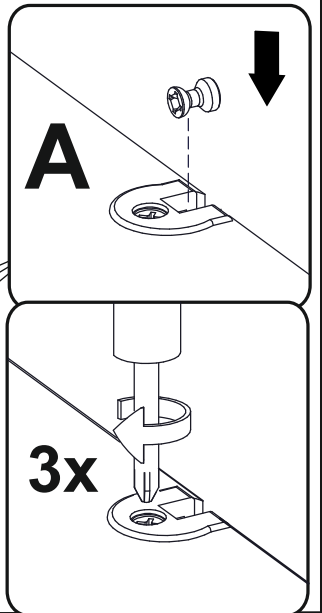
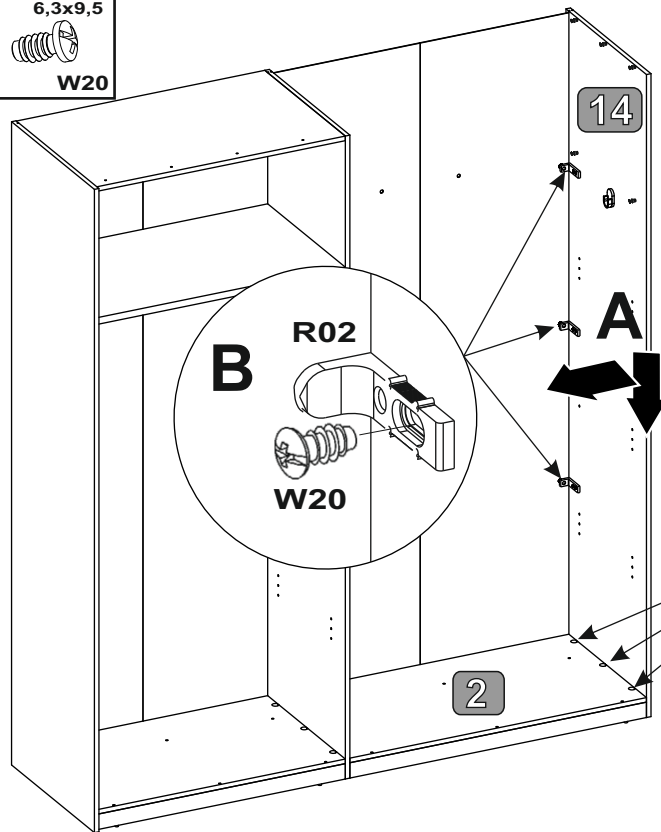
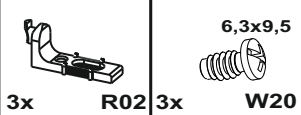
13



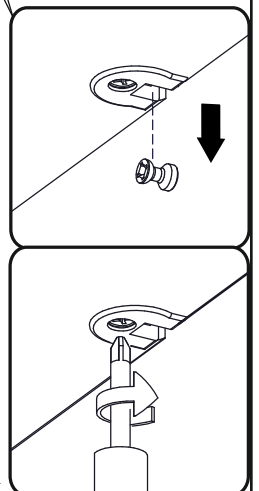
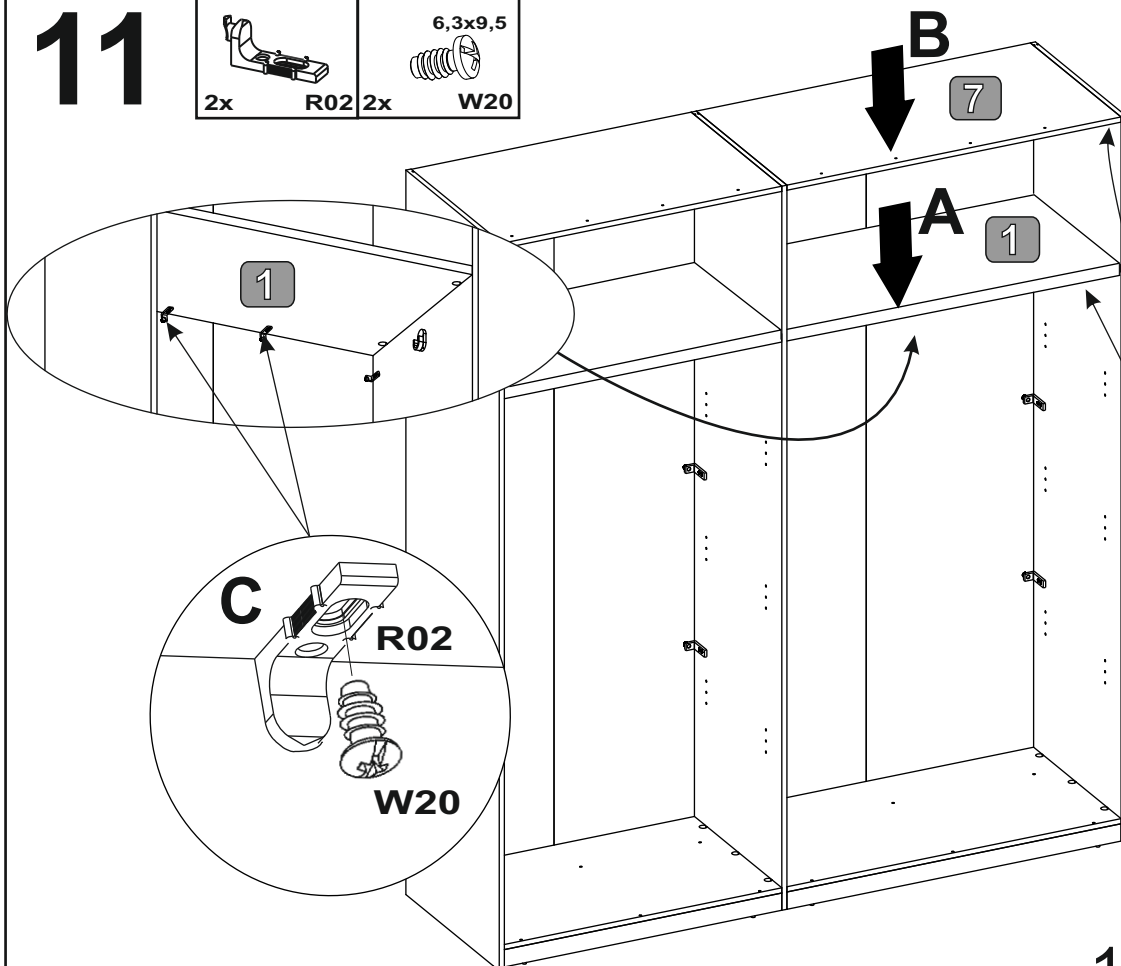
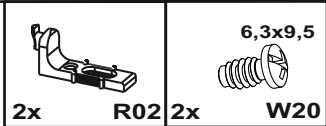
14



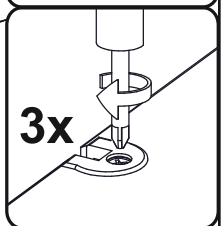
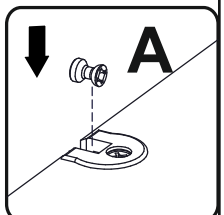
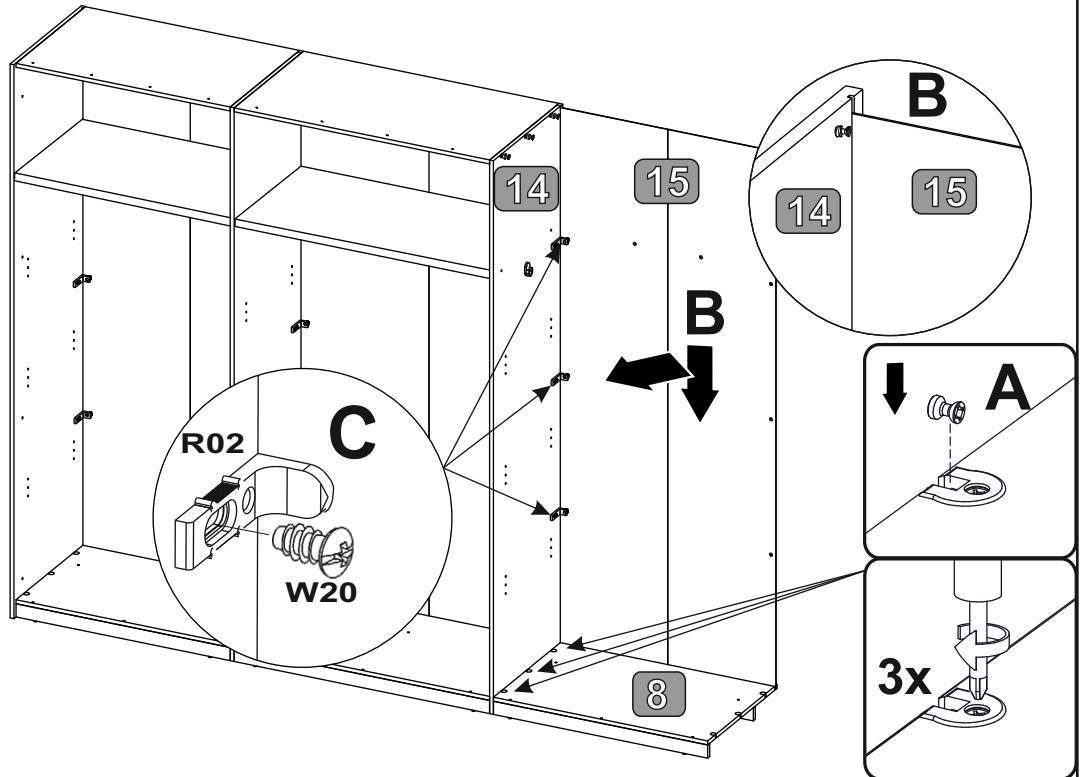
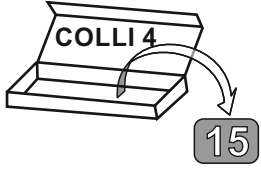
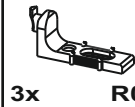
10



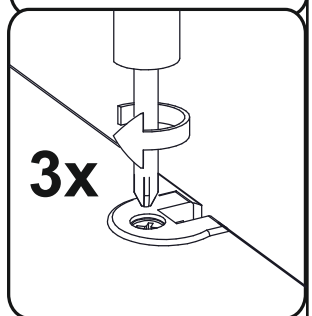
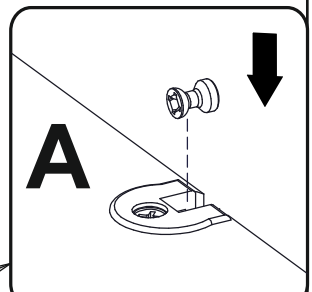
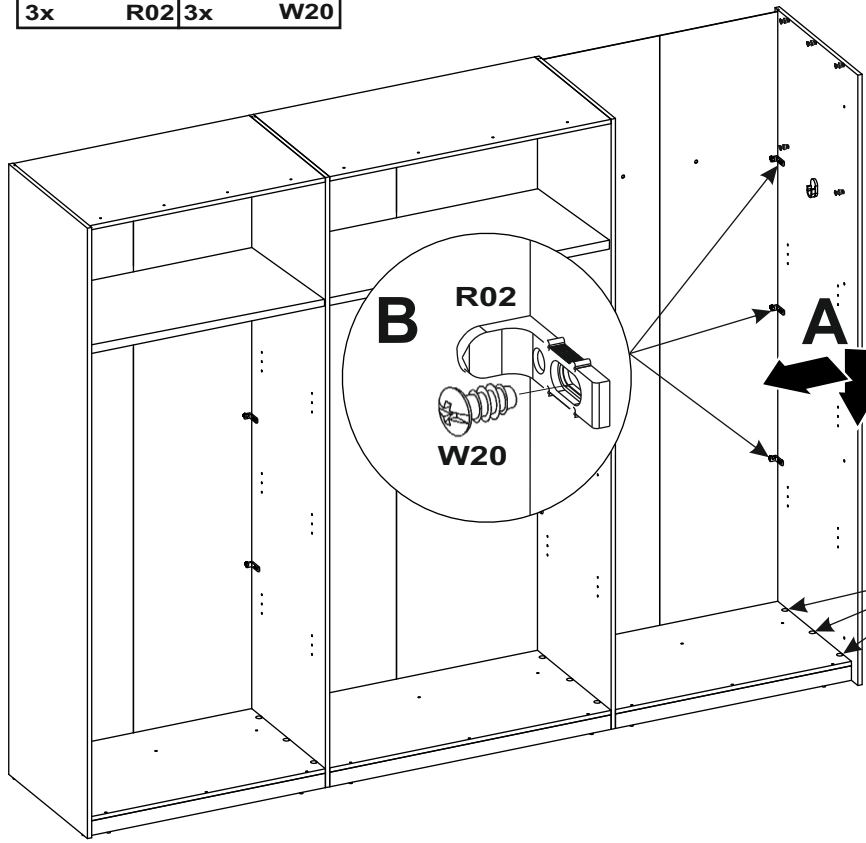
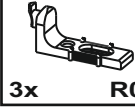
11



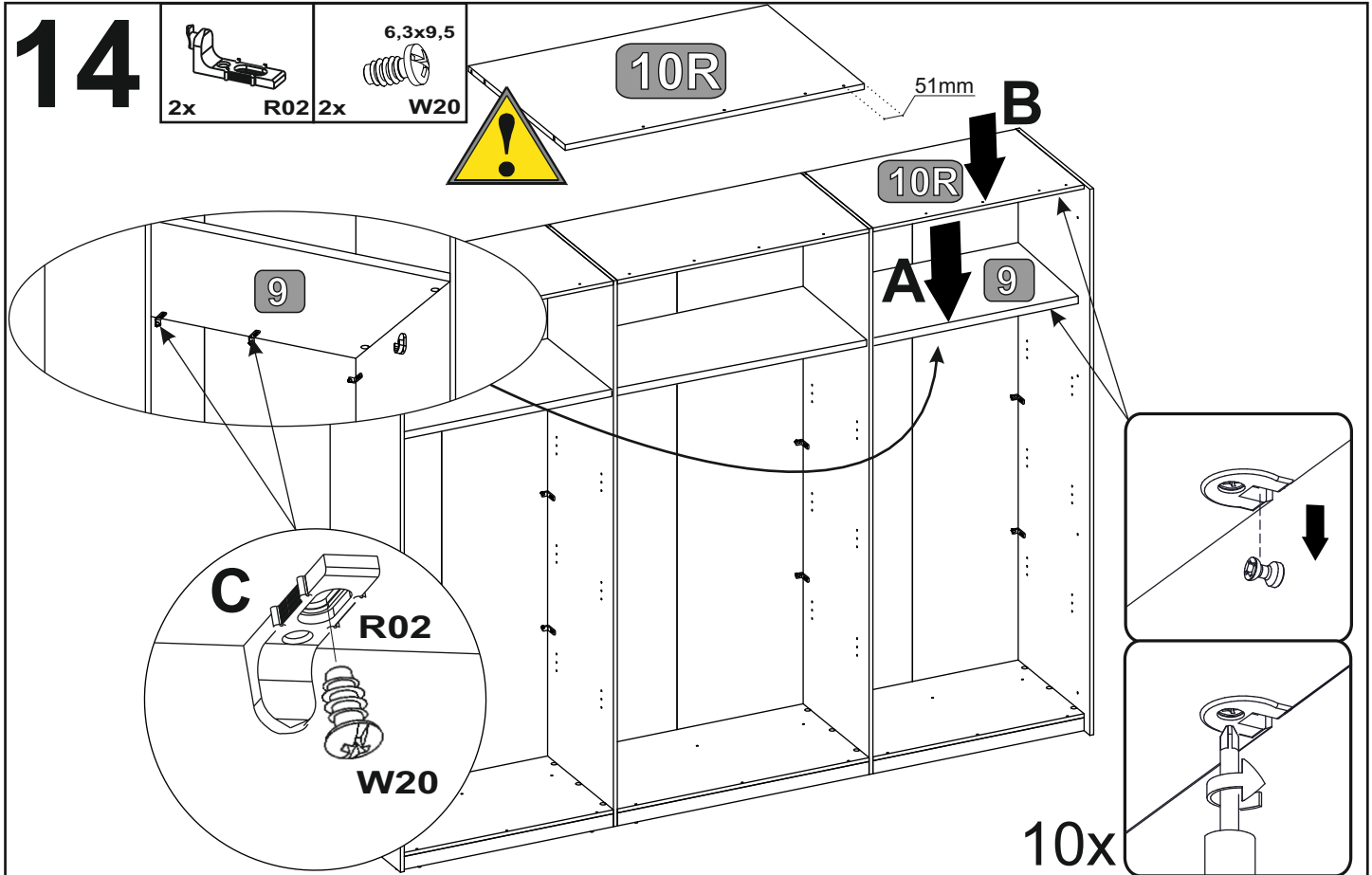
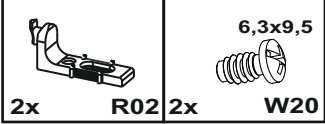
12



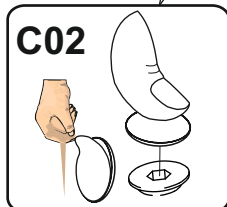
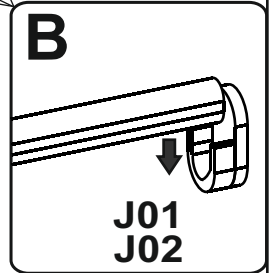
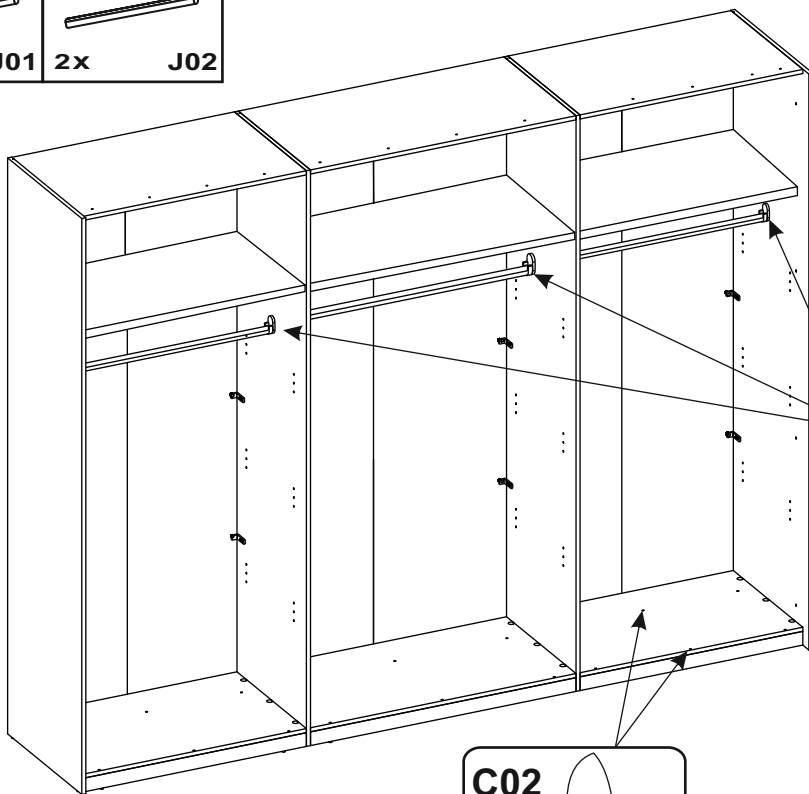
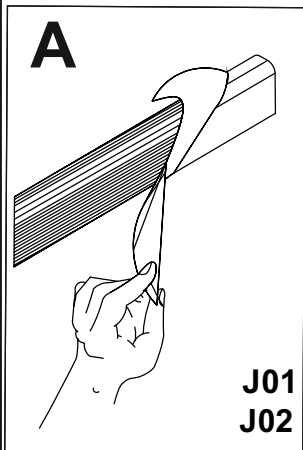
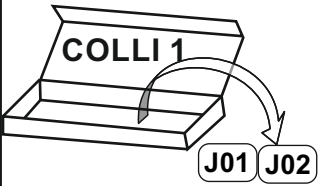
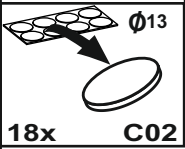
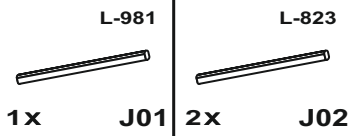
13



14



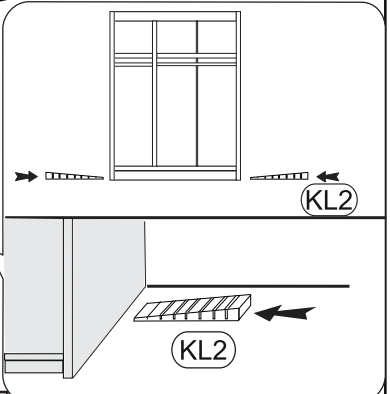
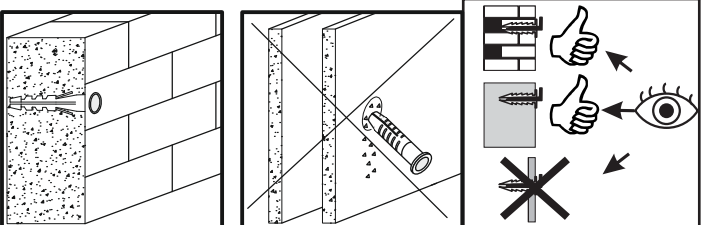
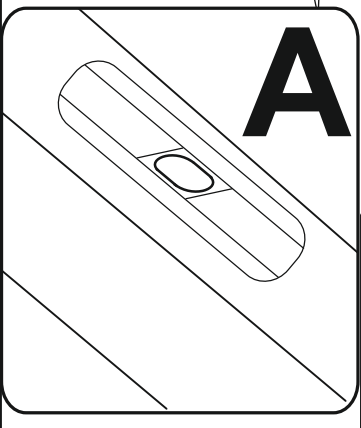
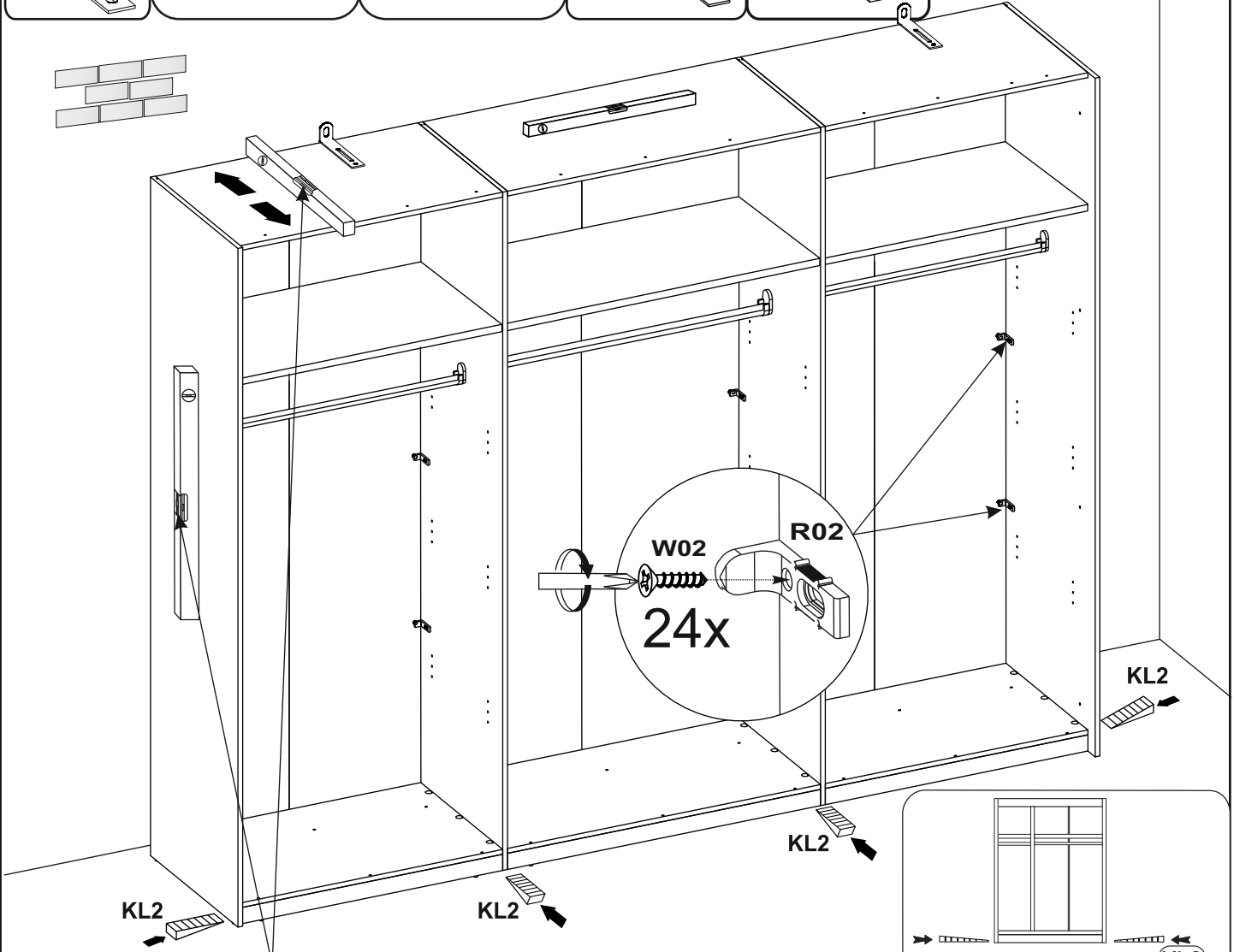
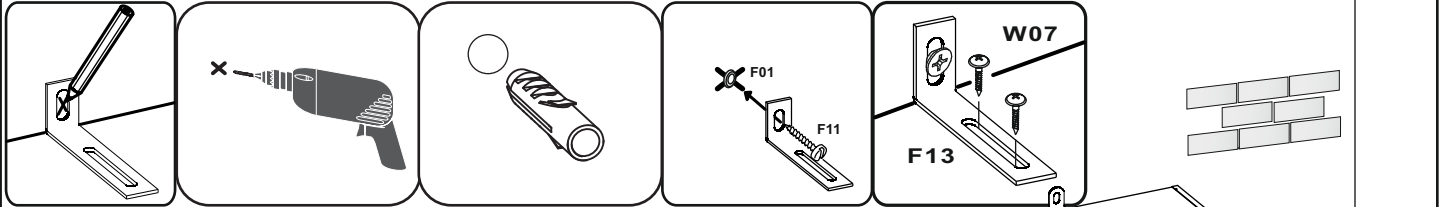
15



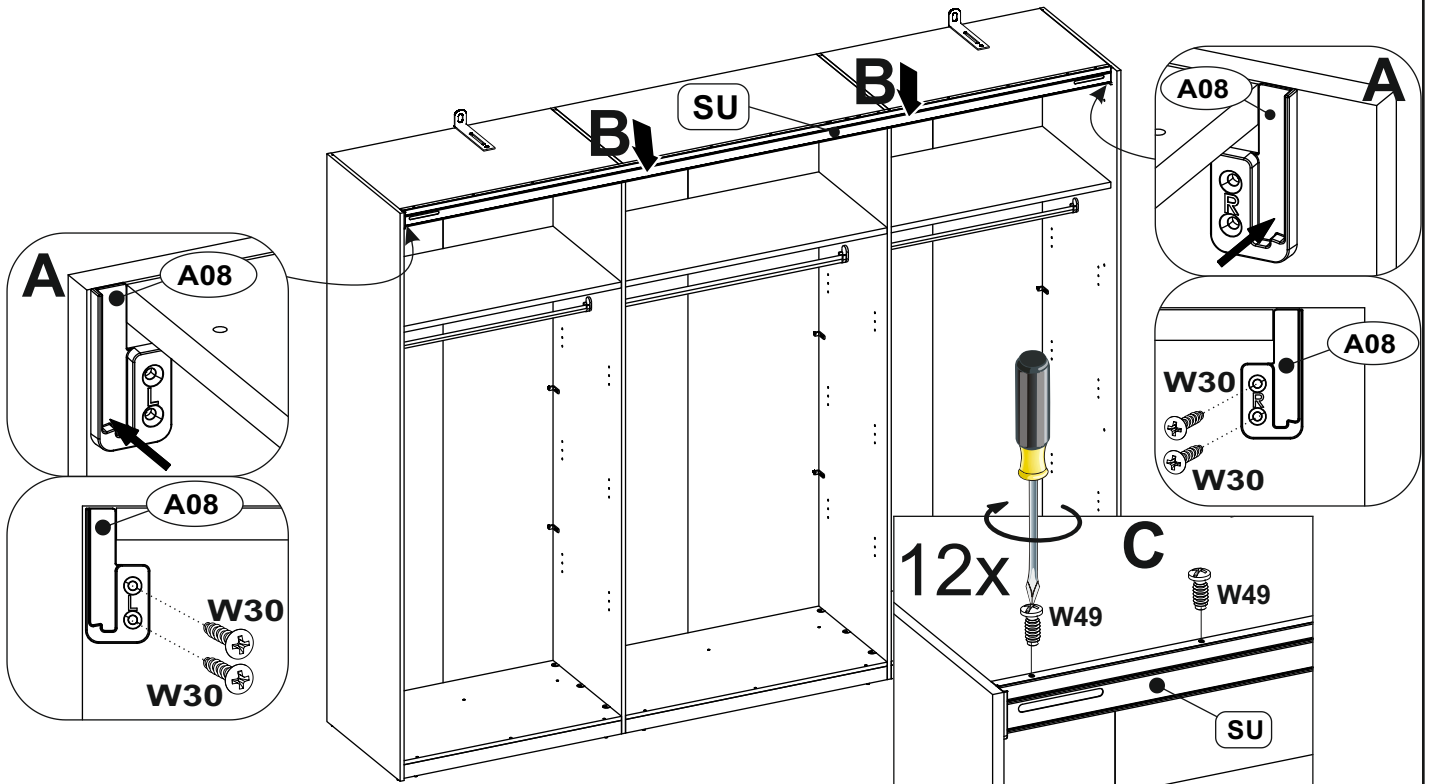
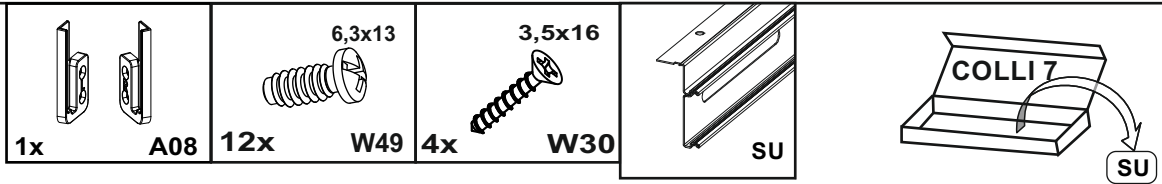
18x

16

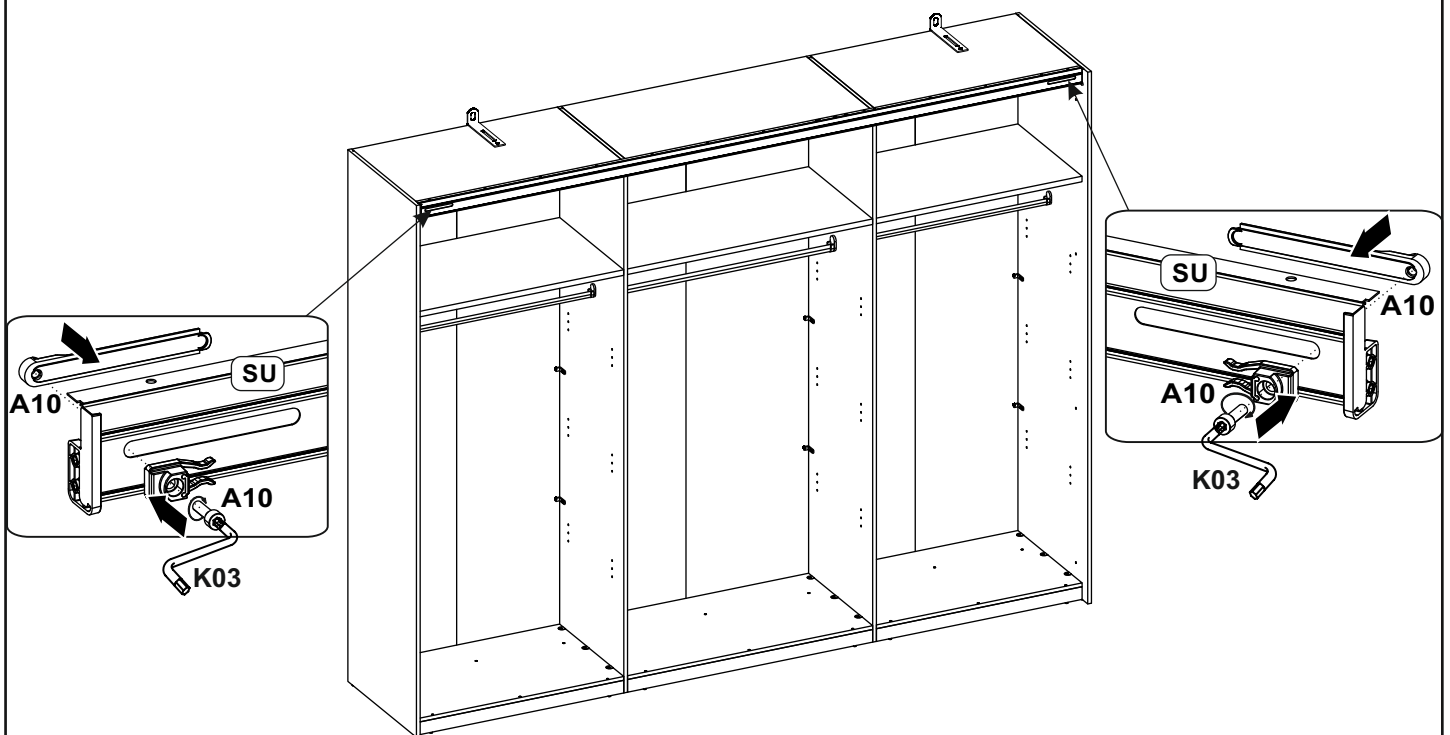
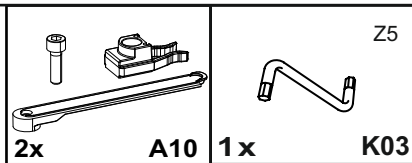
4x	KL2	2x	F01	2x	F11	2x	F13	4x	4x13	W07	24x	3,5x13	W02
----	-----	----	-----	----	-----	----	-----	----	------	-----	-----	--------	-----



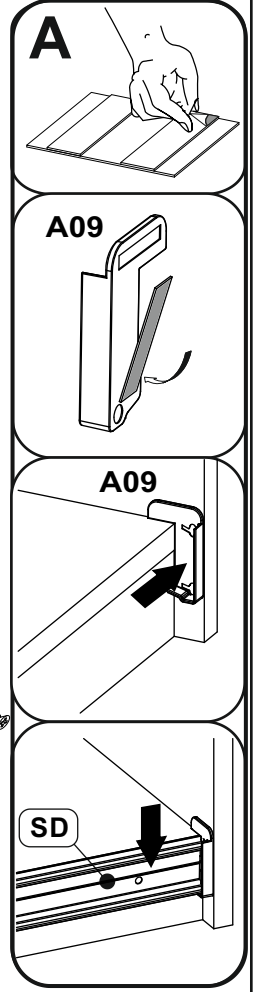
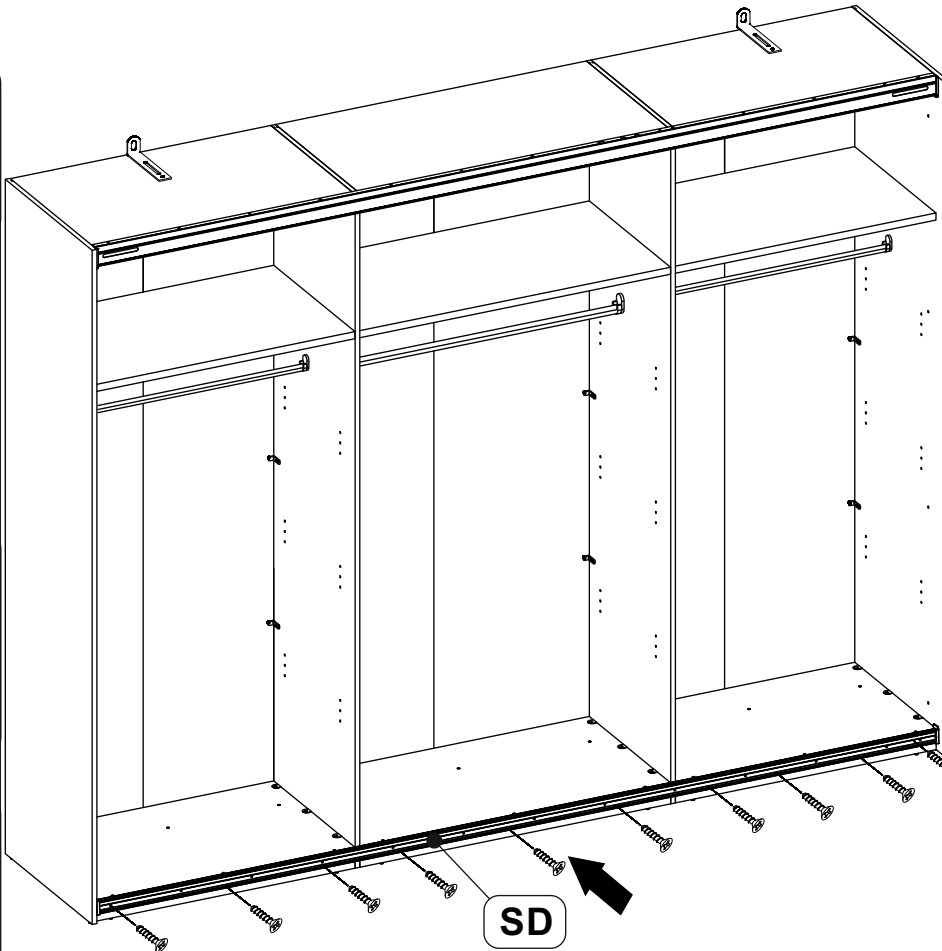
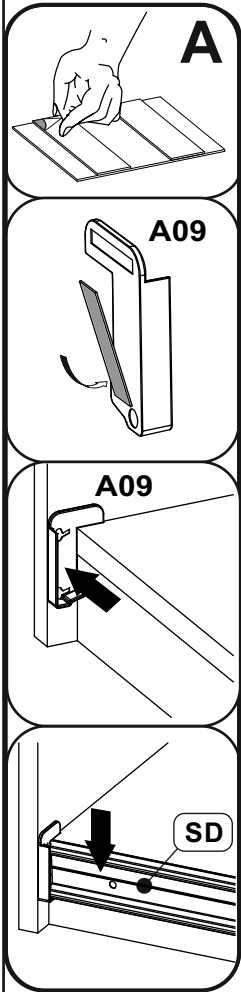
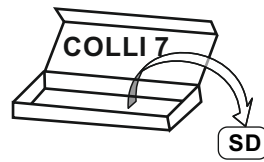
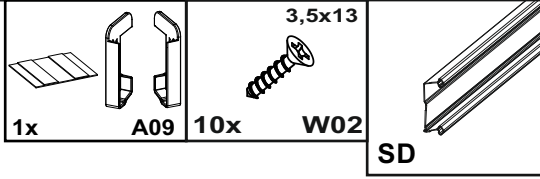
17



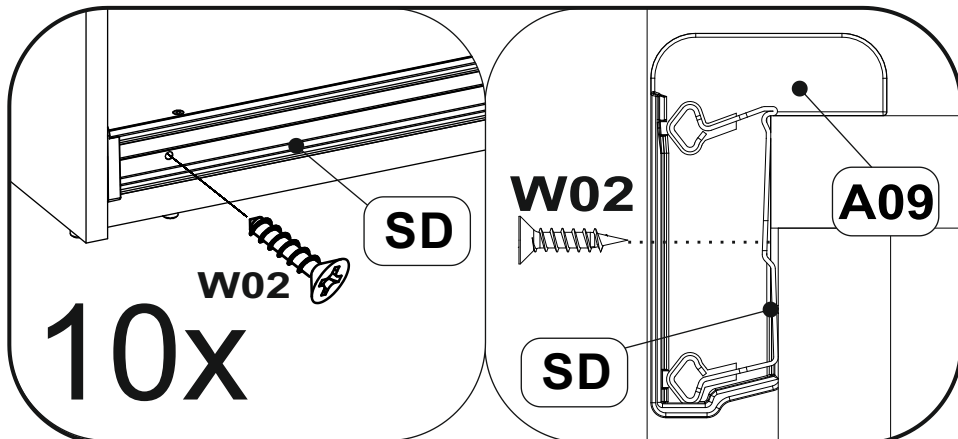
18



19

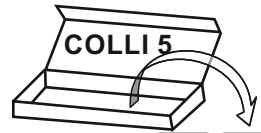


B

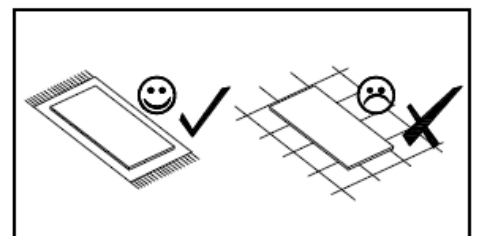
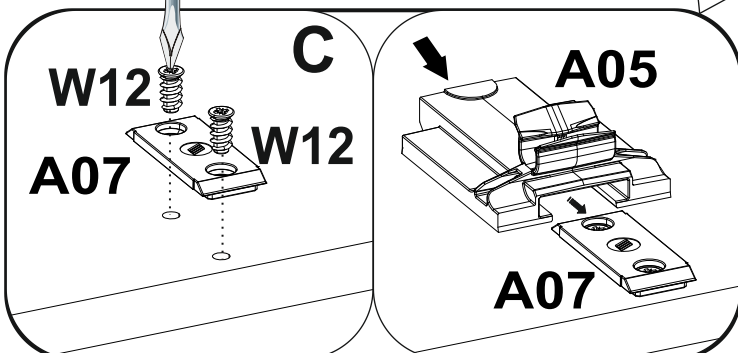
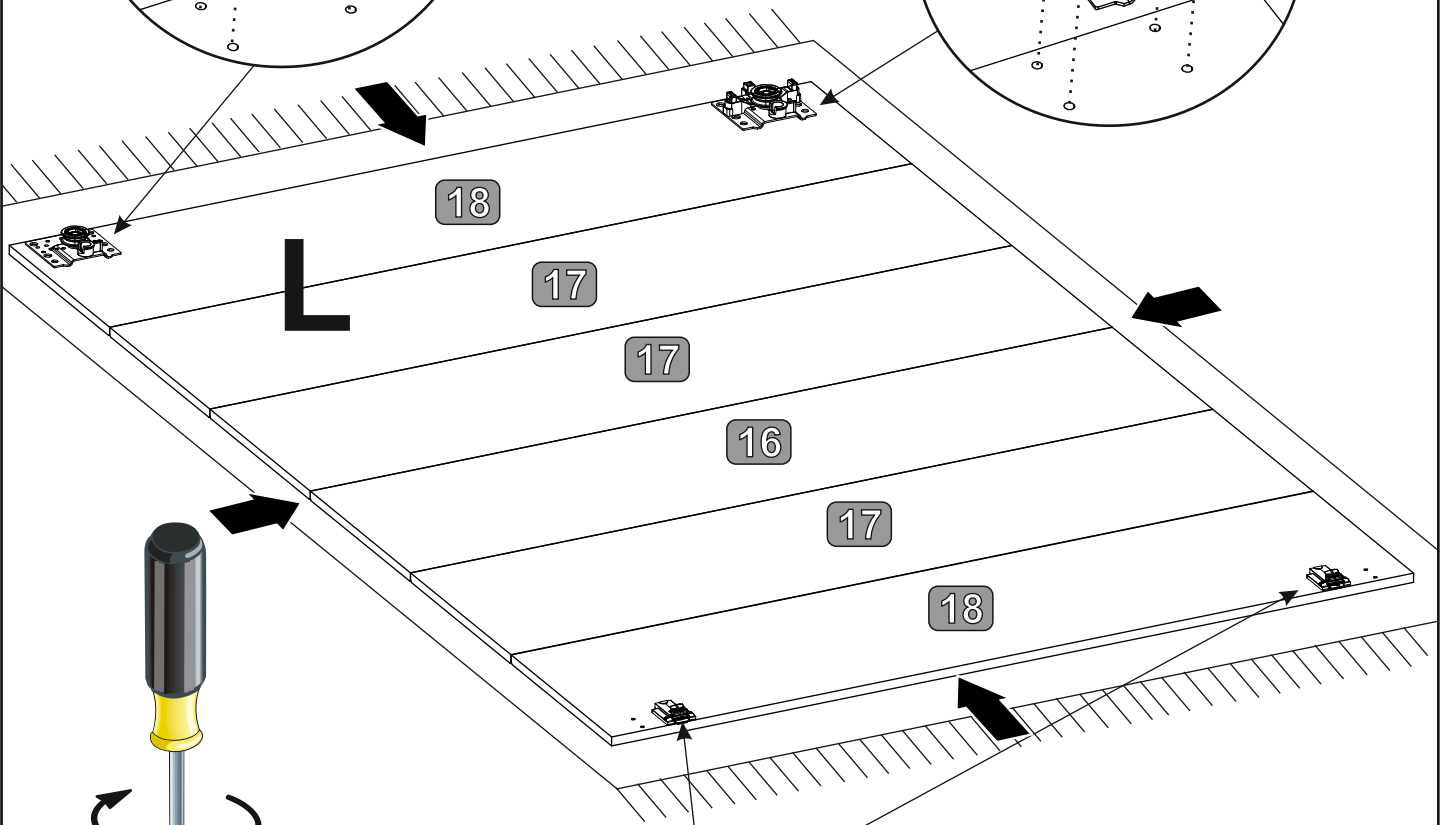
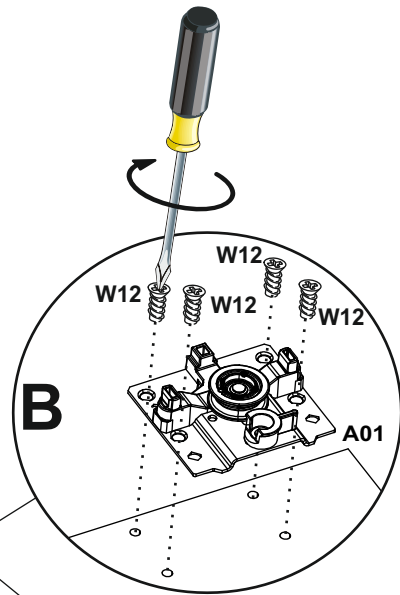
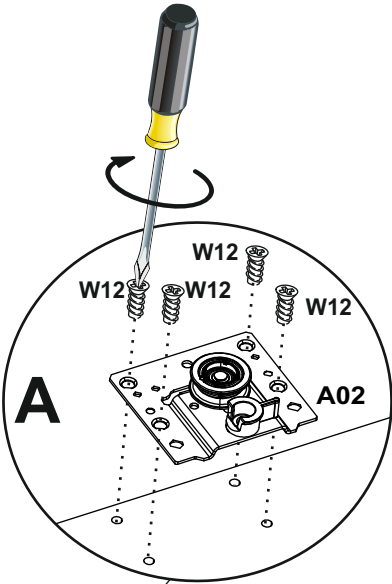


20

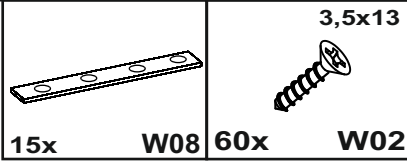
- 2x A07
- 2x A05
- 12x W12
- 1x A01
- 1x A02



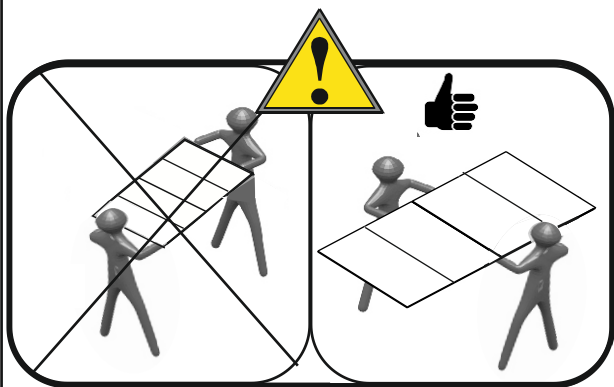
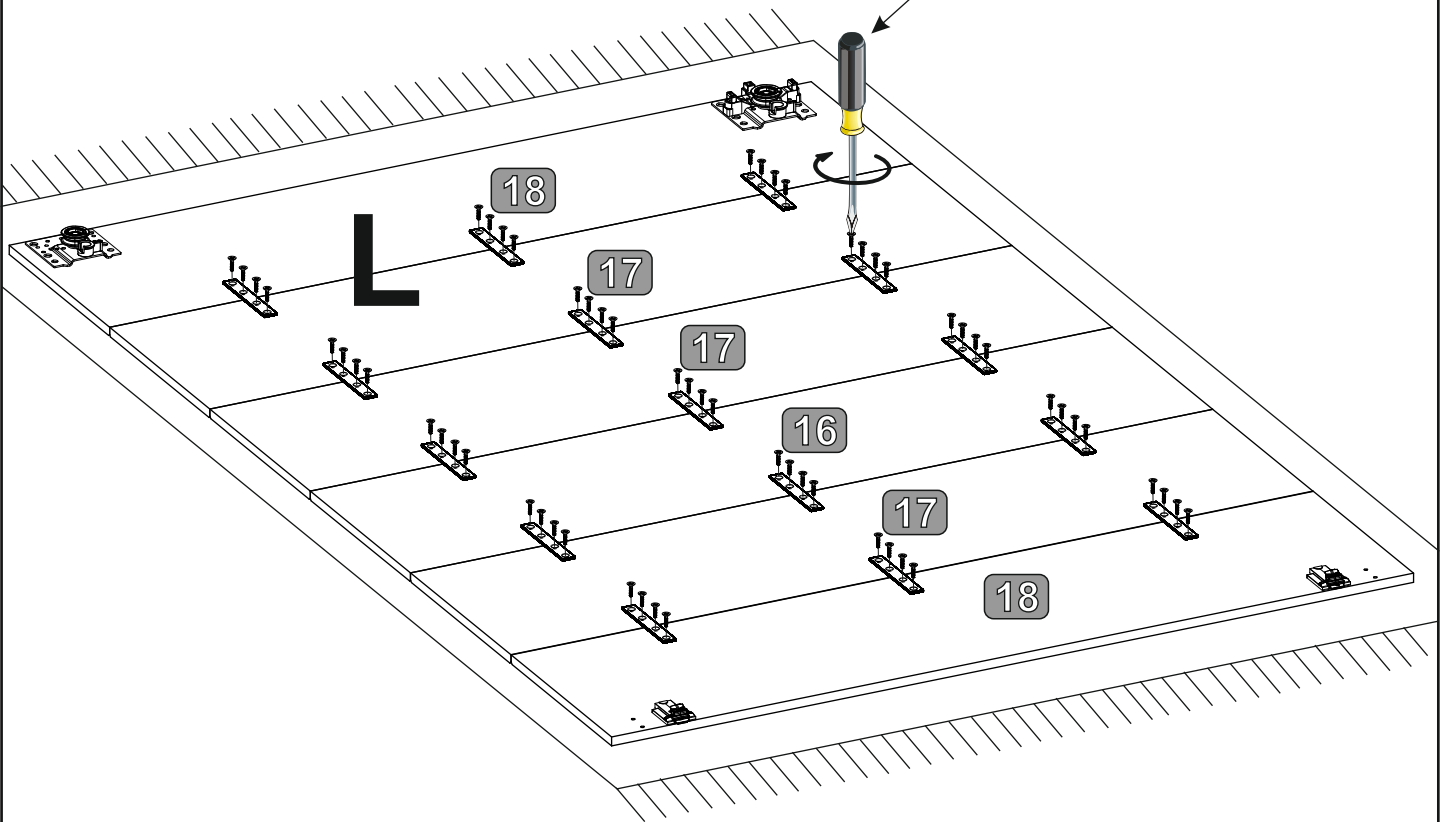
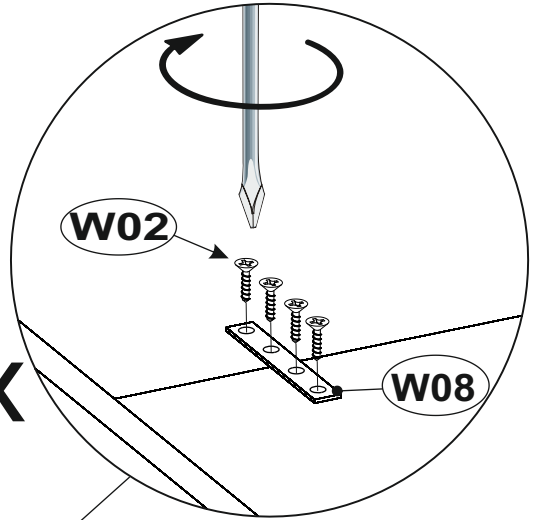
16 17 18



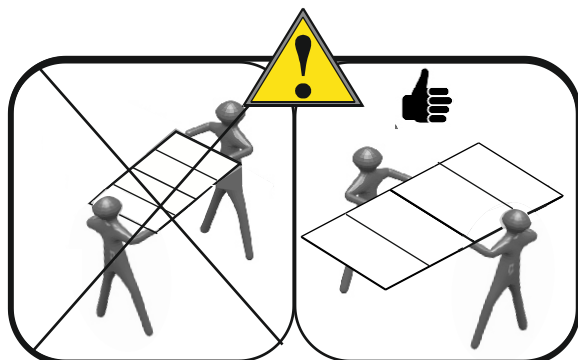
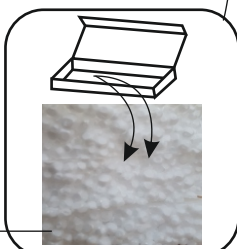
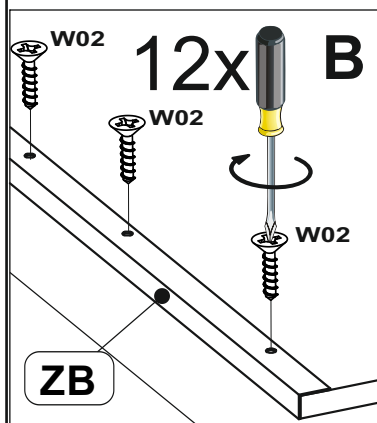
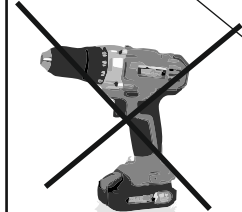
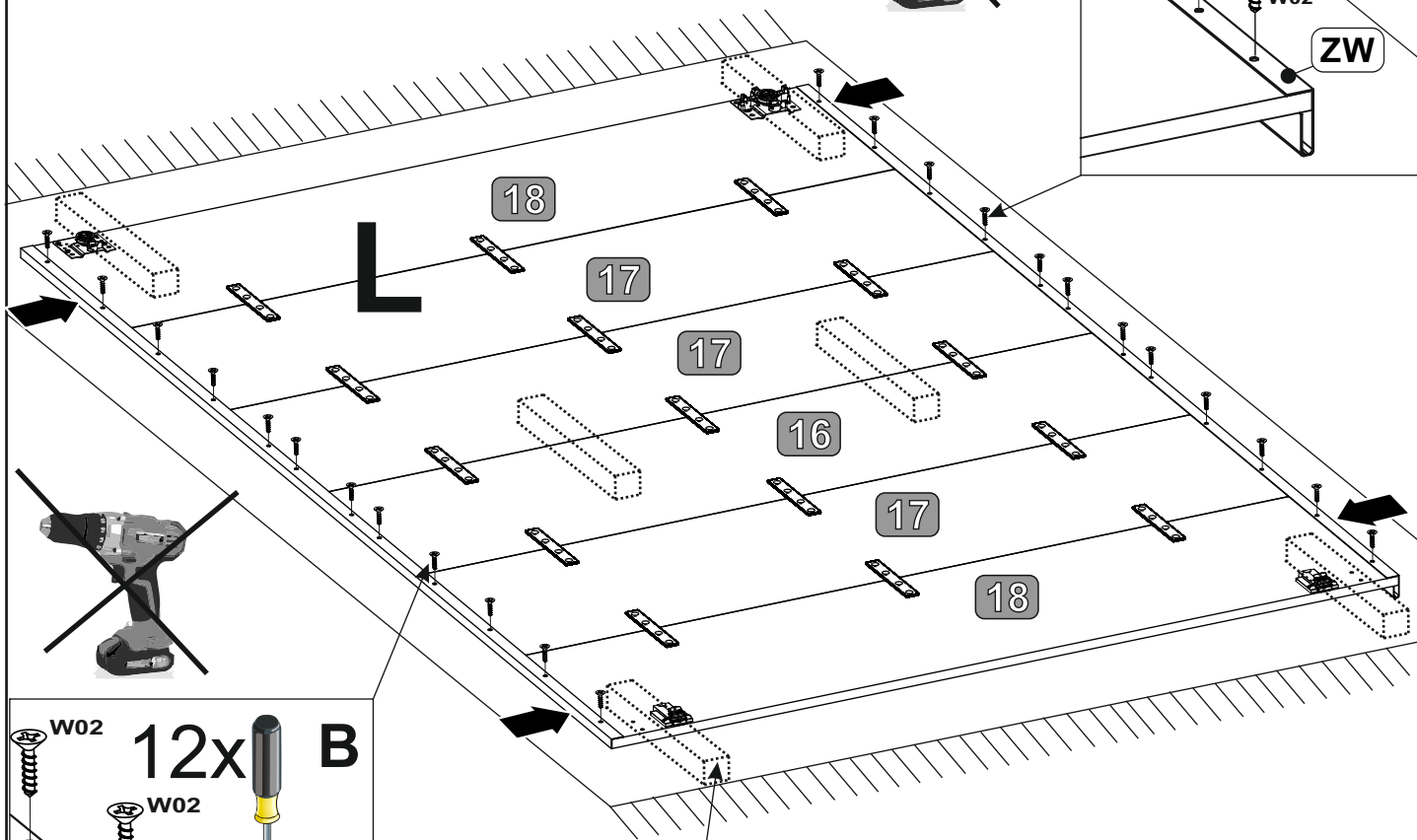
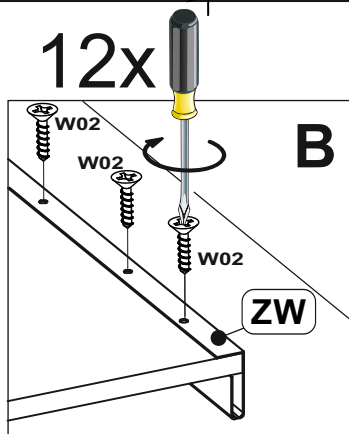
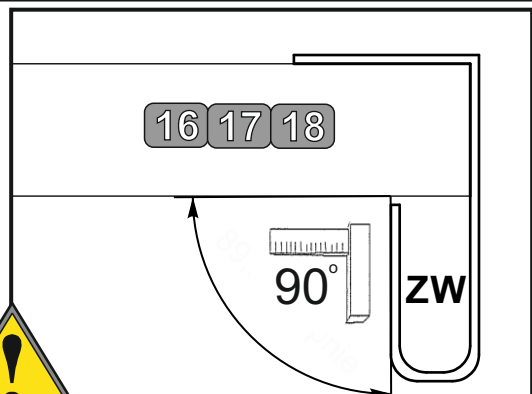
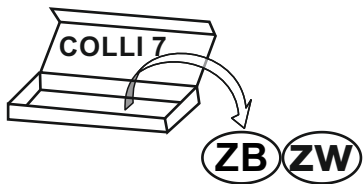
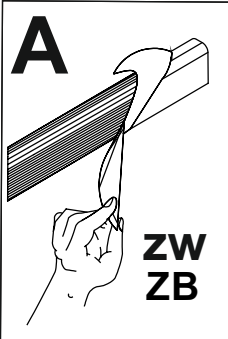
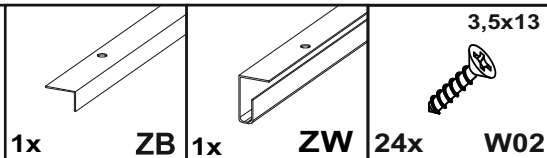
21



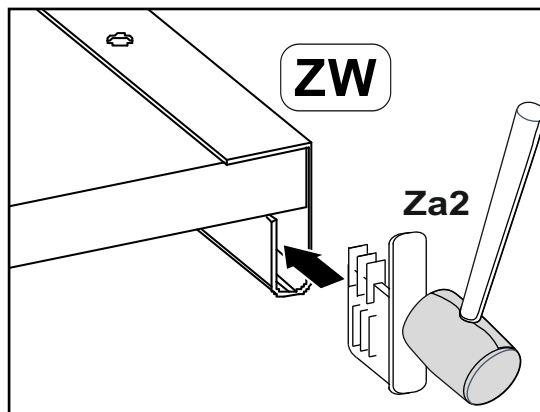
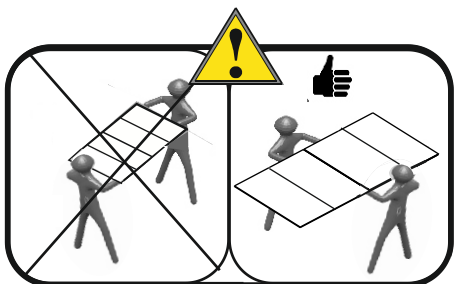
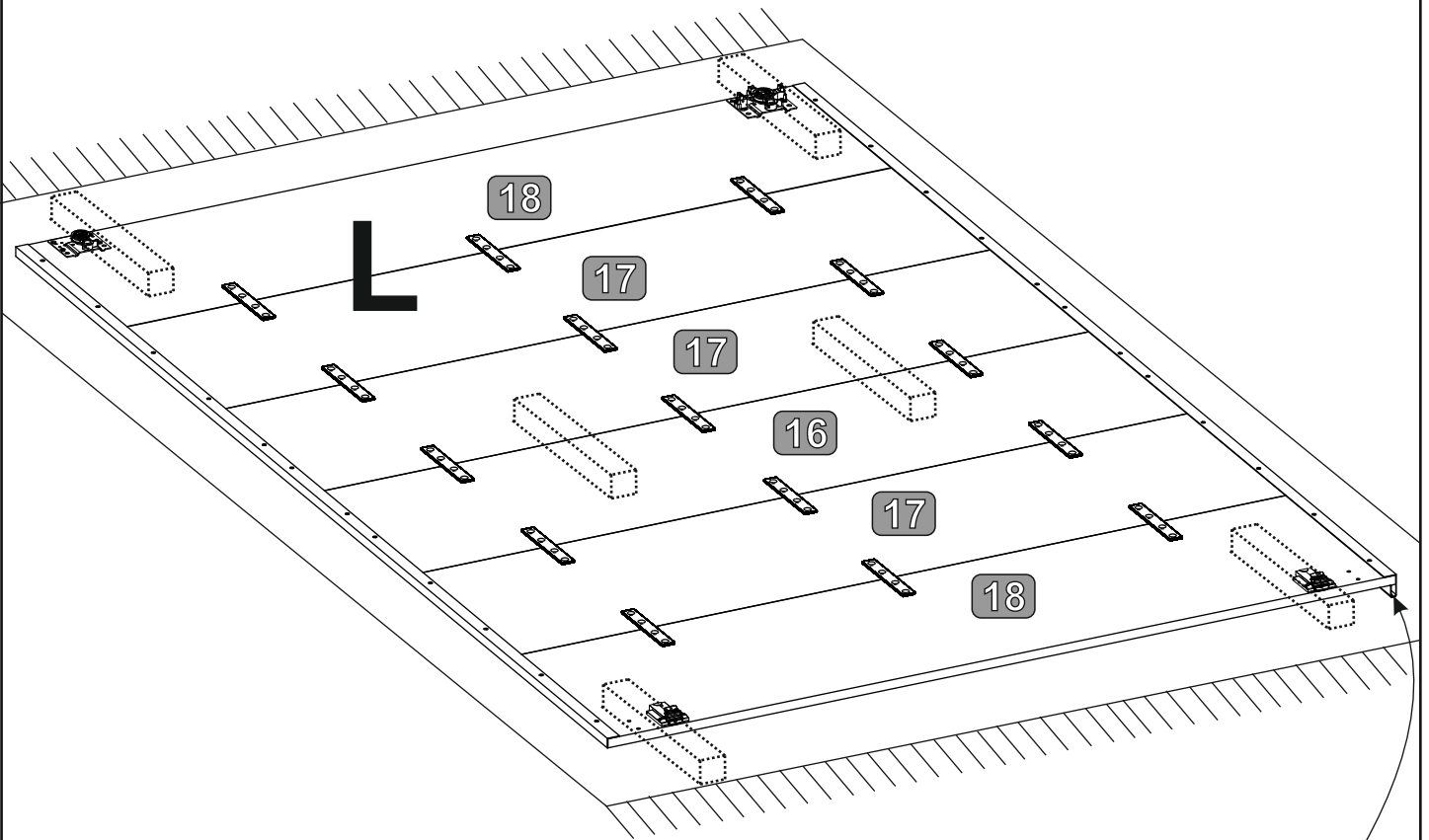
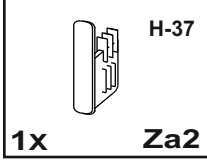
15x



22



23



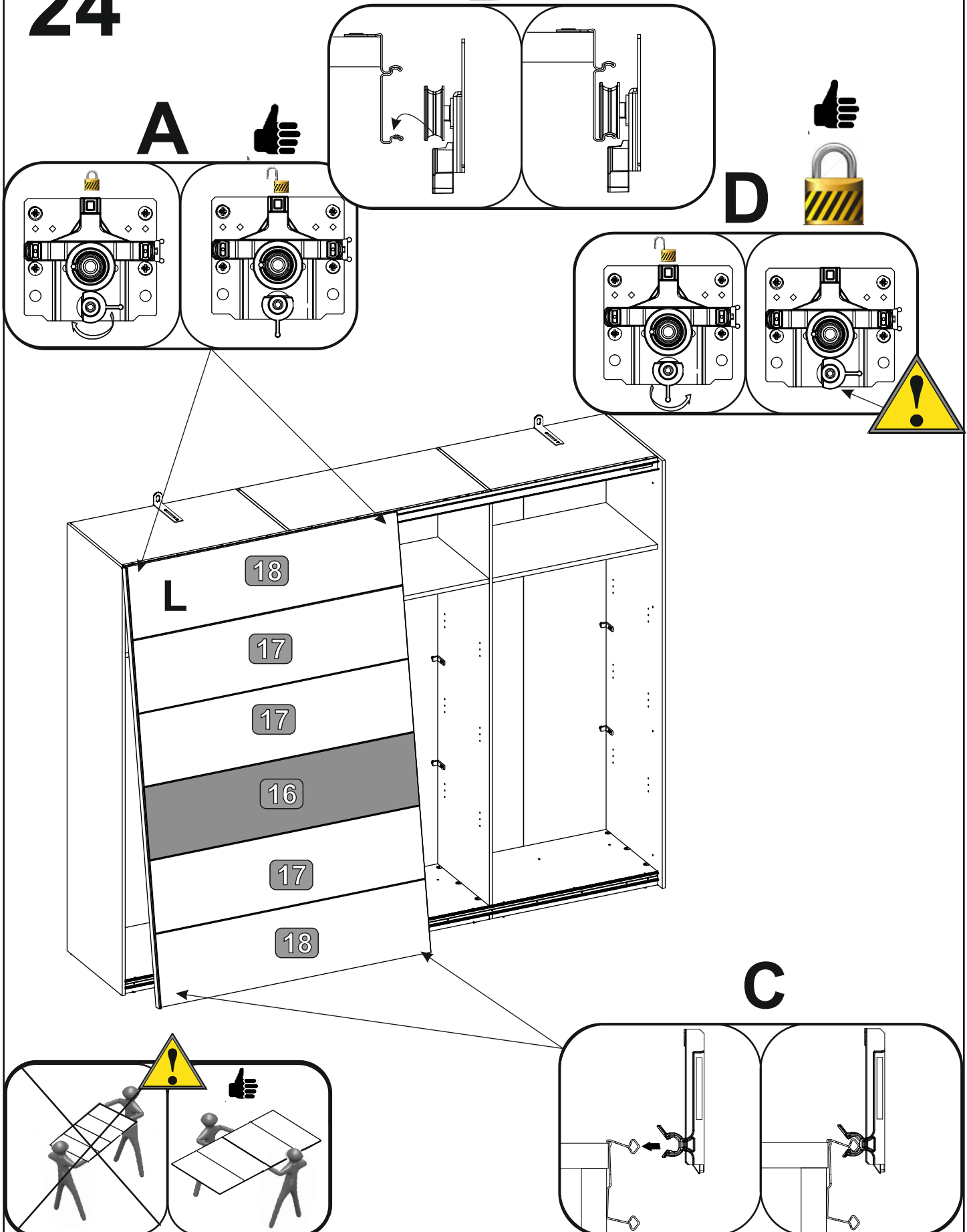
24

B

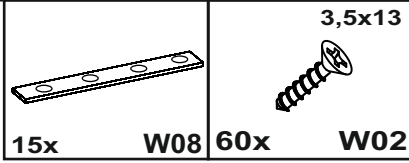
A

D

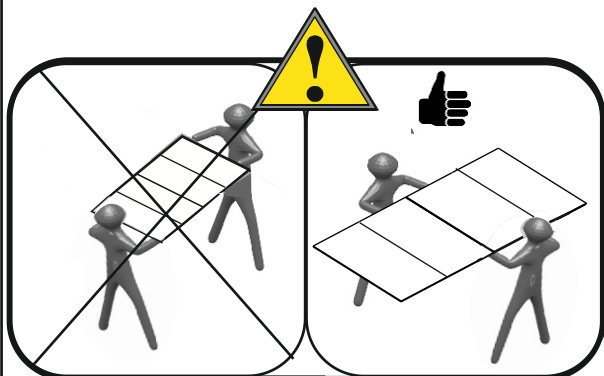
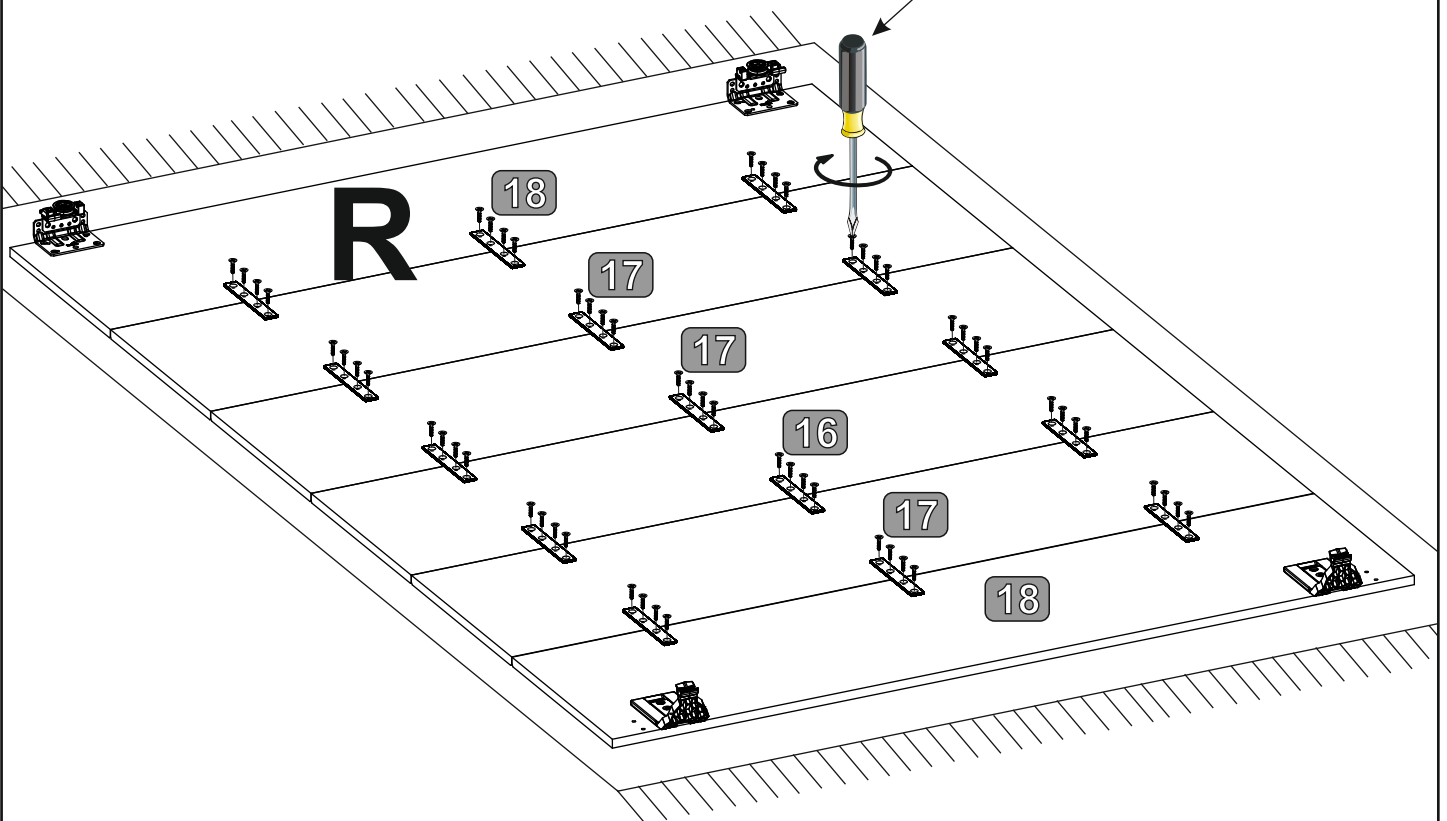
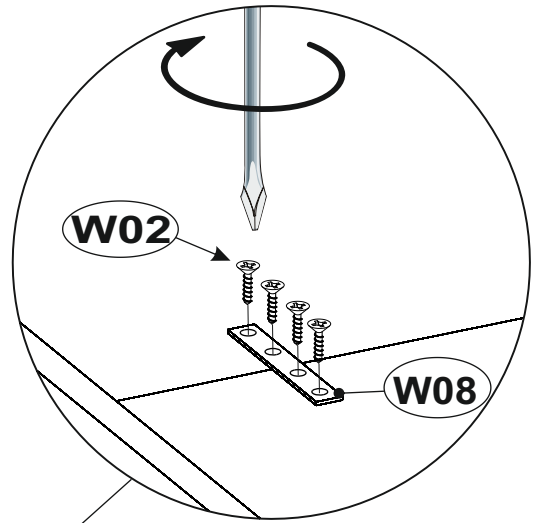
C



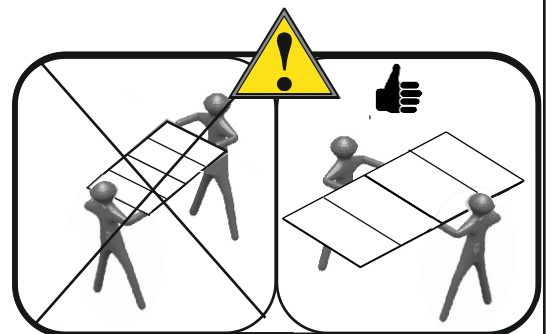
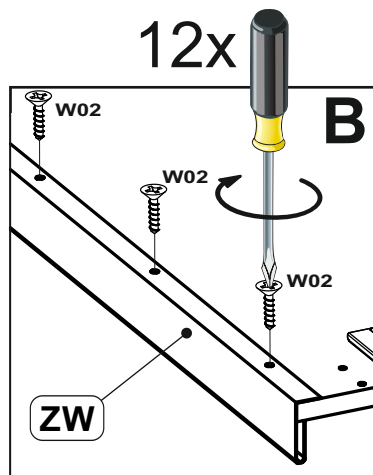
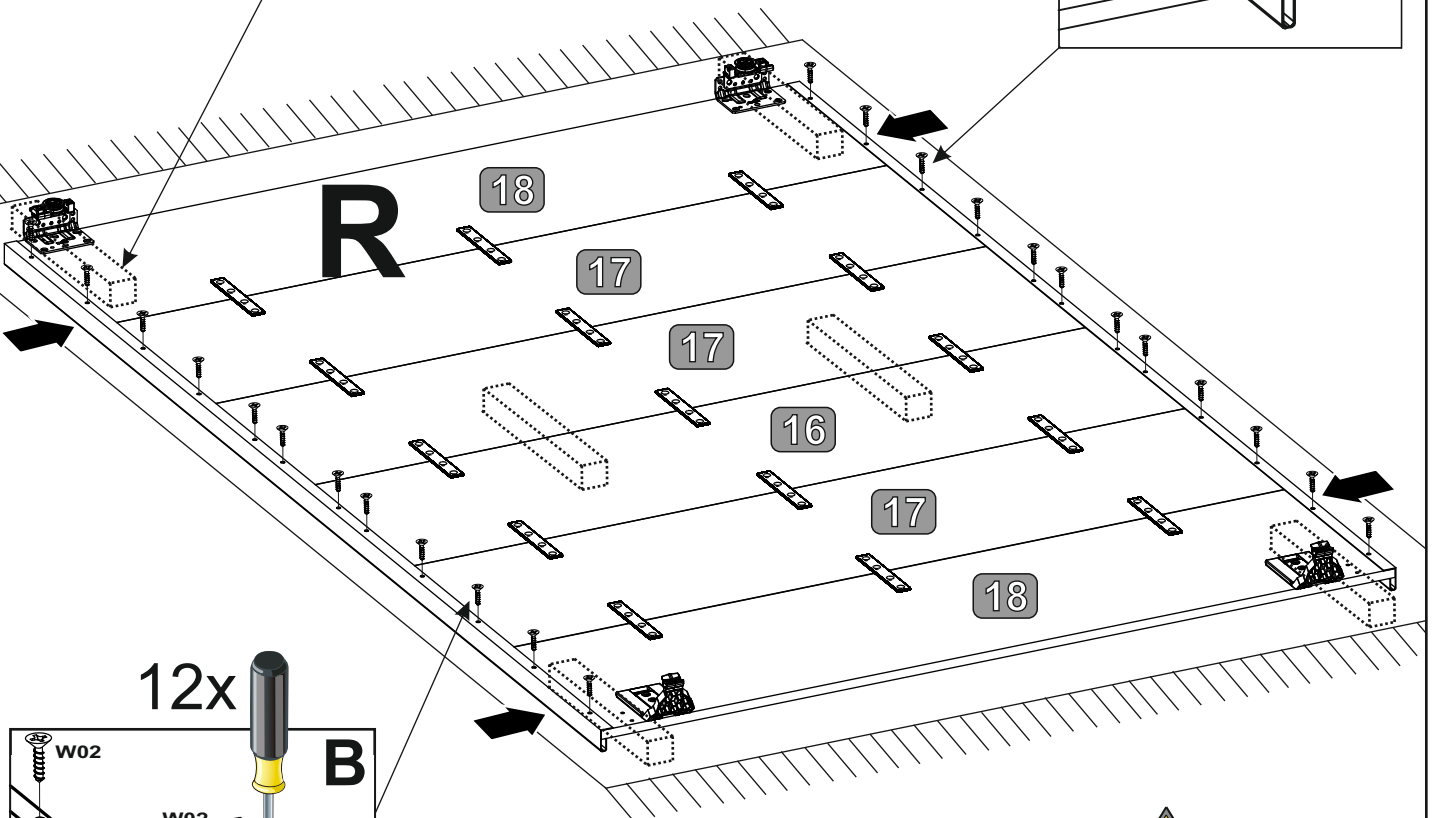
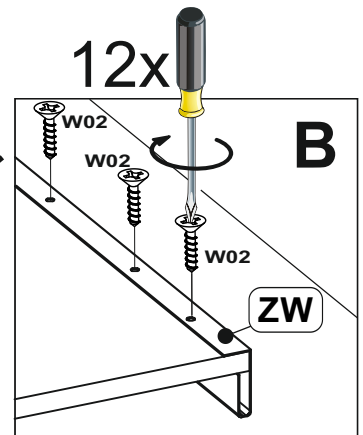
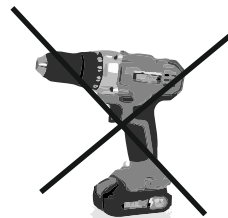
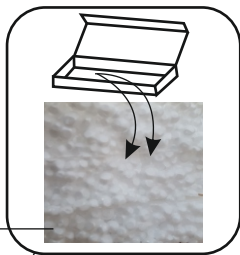
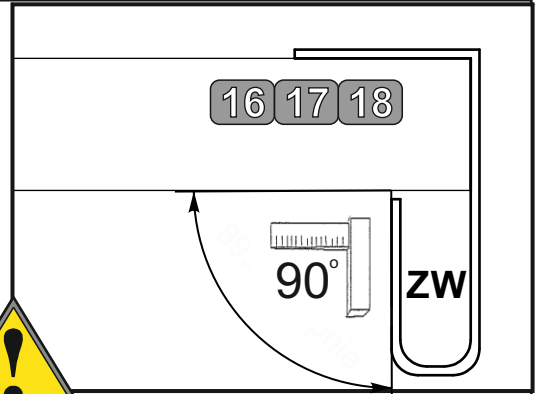
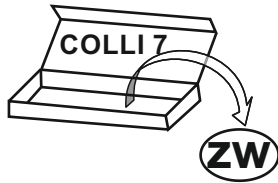
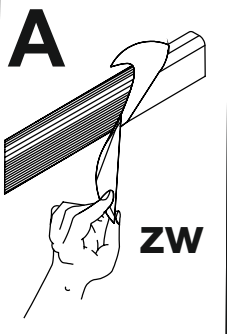
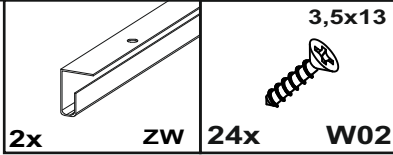
26



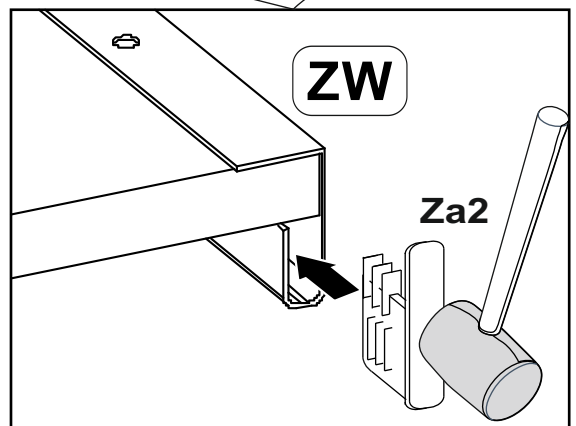
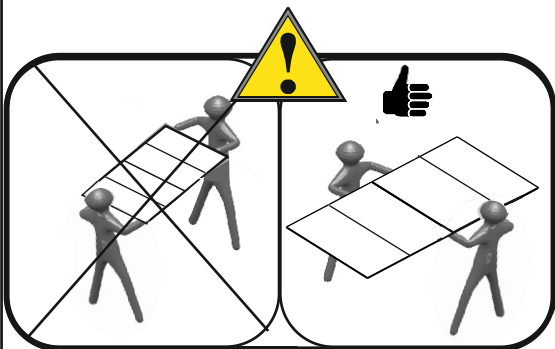
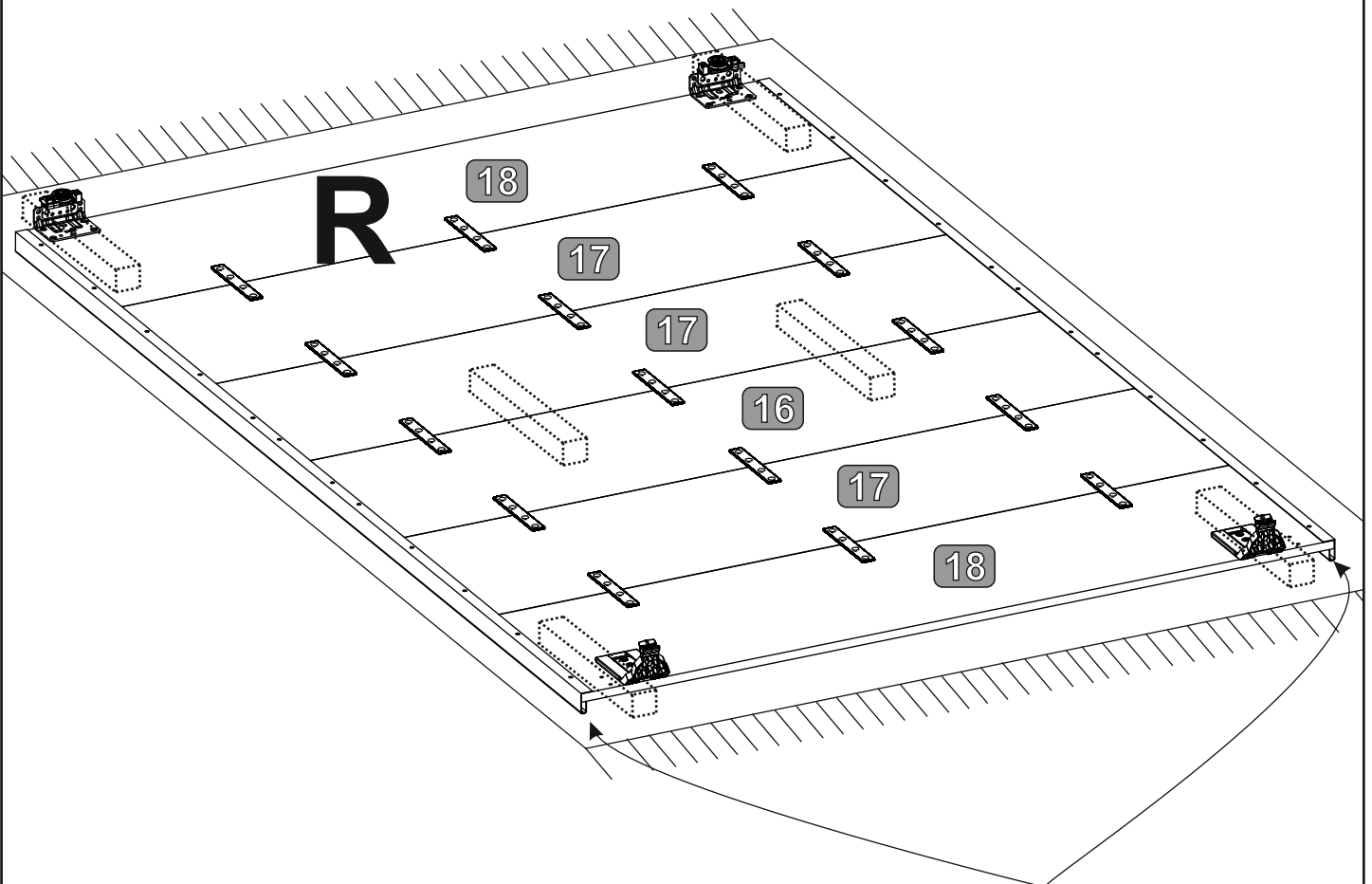
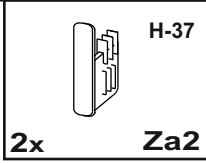
15x



27

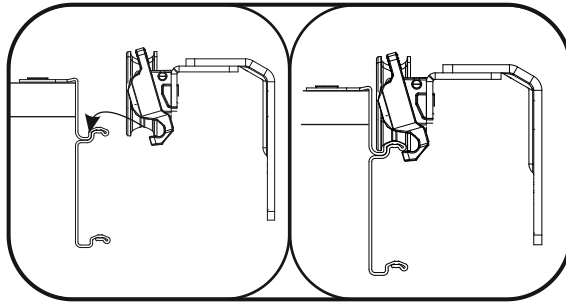


28



29

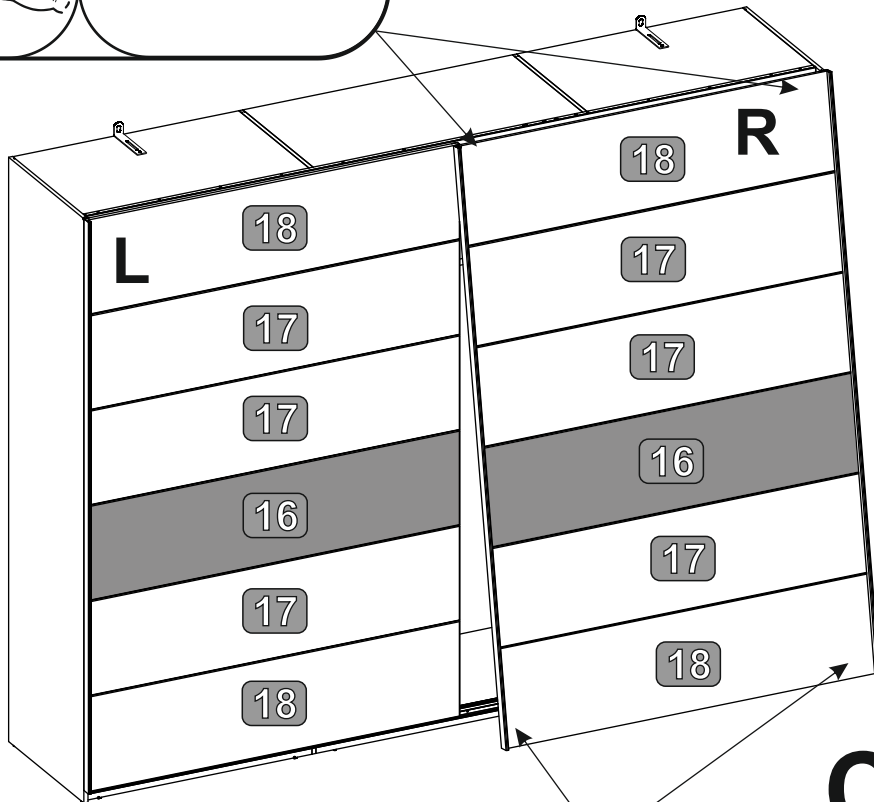
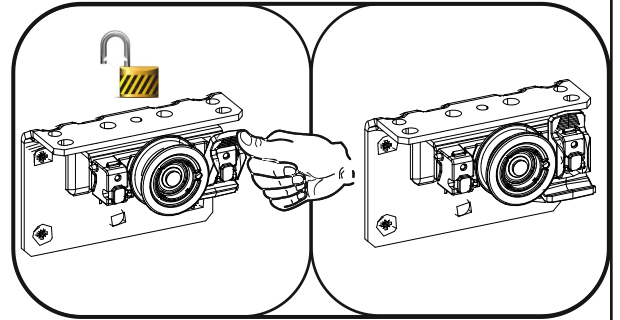
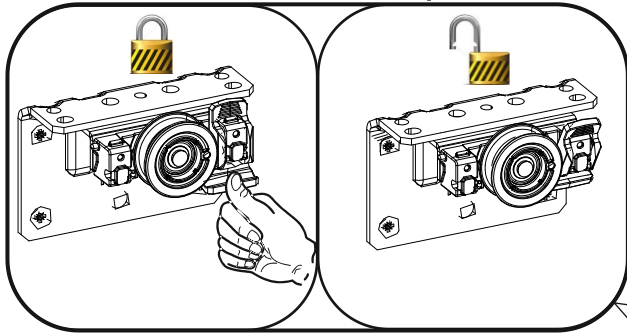
B



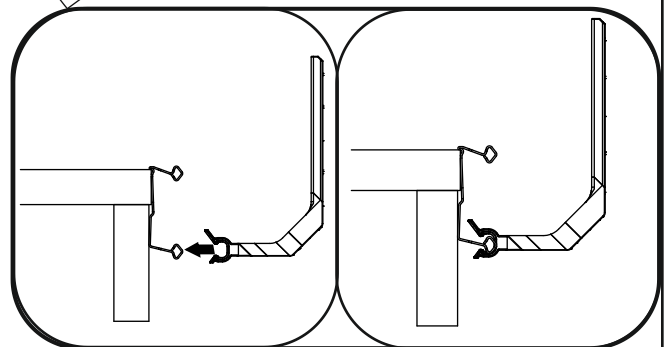
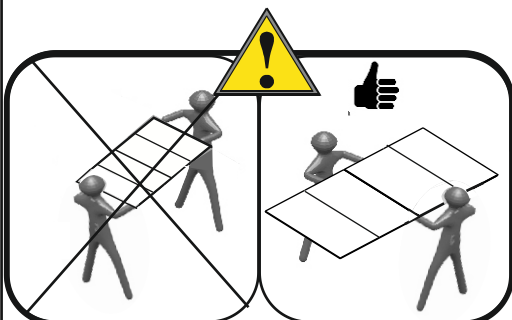
D



A



C



30

