

# ASSEMBLY INSTRUCTION

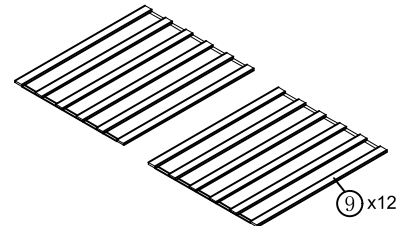
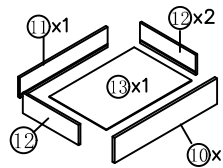
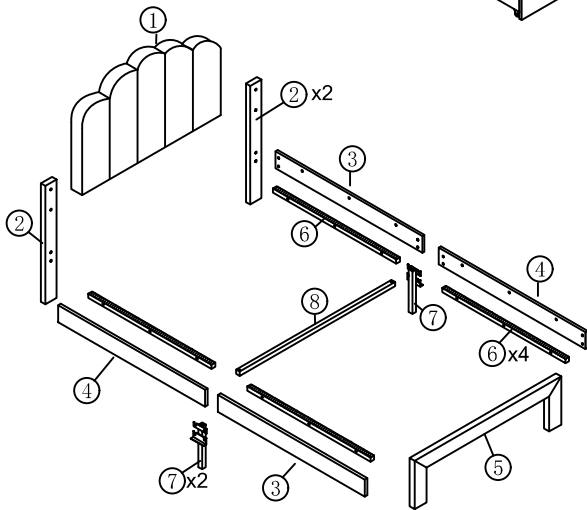
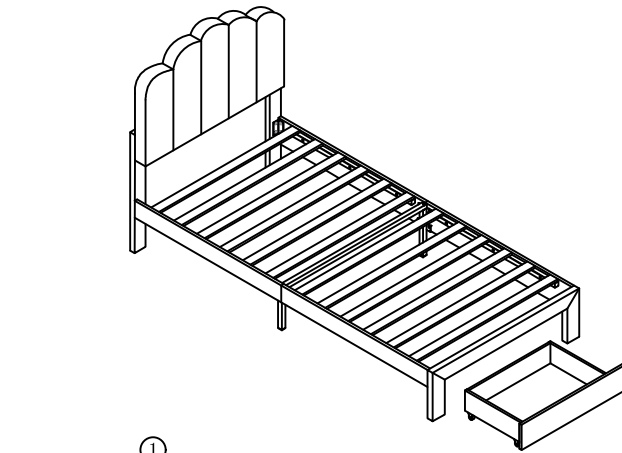
Item Number: WF319534  
Upholstered Bed 90x200

## TIPS

1. Please read the instructions fully before assembly. These instructions include important information which could ensure correct assembly. We have been working on providing high quality products for you. However, in the rare instance that your product is defective, missing parts or there are some issues, please don't hesitate to contact our customer service to submit parts requirements, assembly suggestion, or warranty claims, and we will give the best solution as soon as possible. If necessary, we need you to provide some more clear pictures of the issue.

2. Insert the screws in holes and tighten the screws, but not too tight, 70%~80% is ok, finally tighten all the screws. If some issues happened that some screws can not target to the hole or some parts are difficult to install, please adjust the tightness of the screws.

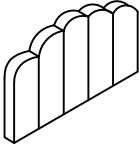

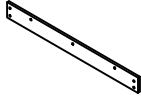
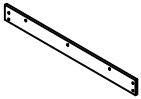
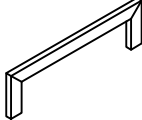
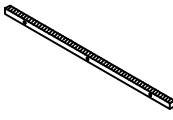

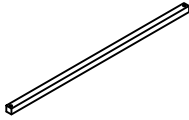
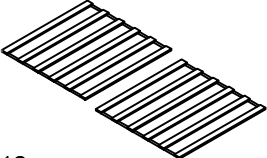
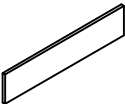

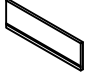
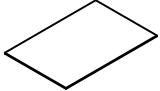
3. 2 people are recommended to finish



Parts List			Hardware List		
NO	ITEM	QTY	NO	ITEM	QTY
1	Head board	1	A	Allen Key 	1
2	Head board legs	2	B	Bolts (M8x50mm) 	4
3	Siderails	2	C	Bolts (M8x18mm) 	24
4	Siderails	2	D	Bolts (M8x40mm) 	14
5	Foot board	1	E	Drawer fittings 	8
6	Side rails support bar	4	F	Drawer fittings 	8
7	Side rails support legs	2	G	"7" Connector 	4
8	Cross bar	2	H	wheel 	4
9	Slats	12	I	Nails (M3x20mm) 	8
10	Drawer outer board	1			
11	Drawer board	1			
12	Drawer board	2			
13	Drawer bottom board	1			

# Part List

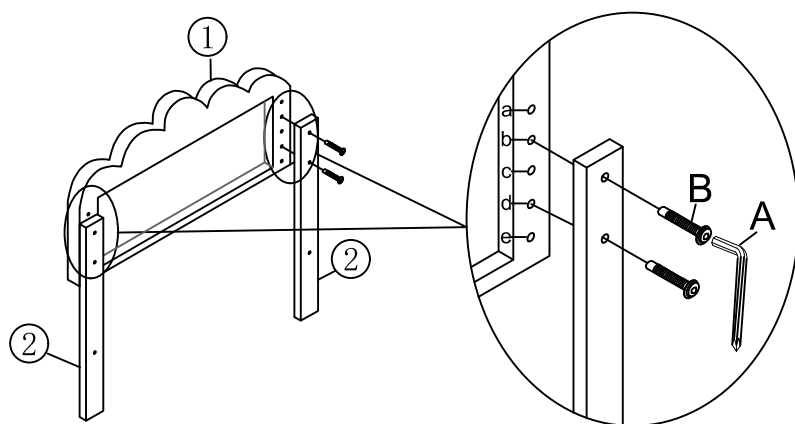
## Hardware List+WF319534



<b>1</b>  Head board-1pc	<b>2</b>  Head board legs-2pcs	<b>3</b>  Siderails-2pcs
<b>4</b>  Siderails-2pcs	<b>5</b>  Foot board-1pc	<b>6</b>  Side rails support bar-4pcs
<b>7</b>  Side rails support legs-2pcs	<b>8</b>  Cross bar-1pc	<b>9</b>  Slats-12pcs
<b>10</b>  Drawer outer board-1pc	<b>11</b>  Drawer board-1pc	<b>12</b>  Drawer board-2pcs
<b>13</b>  Drawer bottom board-1pc		

Attention: Do not tighten the screws before completing the entire installation. If you have any difficulty with the installation process, please feel free to contact us.

## Step 1

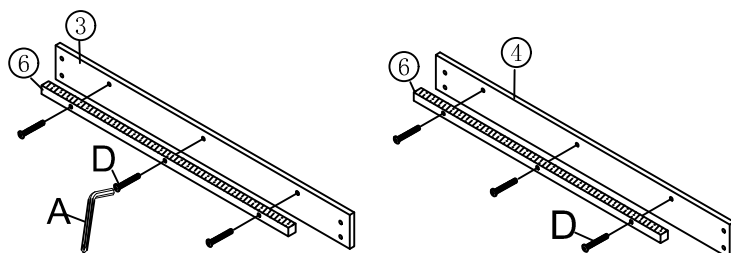
Fix the Headboard legs ② to the Headboard ① with Bolts B by using Allen key A. You can chose the holes a and c or b and d or c and e.  
 (Befestigen Sie die Kopfteilbeine ② mit den Schrauben B und dem Inbusschlüssel A am Kopfteil ①. Sie können die Löcher a und c oder b und dor c und e wählen.)





A Allen Key	B Bolts x 4
	 M8X50mm

## Step 2 x2

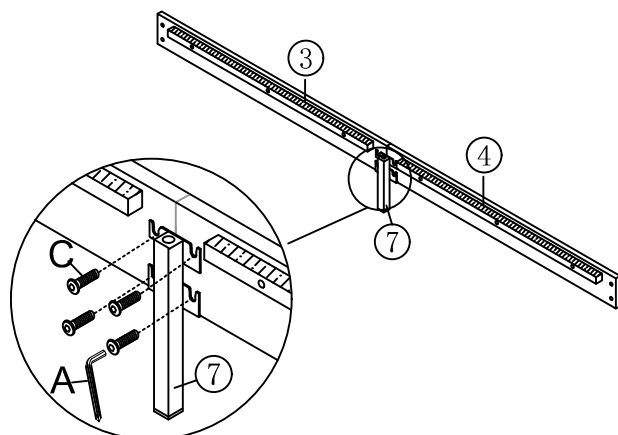
Connect Siderail support bar ⑥ to Siderails ③ and ④ with Bolts D by using Allen key A.  
 (Verbinden Sie die Seitengitter-Stützstange ⑥ mit den Schrauben D und dem Inbusschlüssel A mit den Seitengittern ③ und ④.)





A Allen Key	D Bolts x 12
	 M8X40mm

## Step 3 x2

Fix the side rails support leg ⑦ to the assembled side rail with Bolts C by using Allen key A.  
 (Befestigen Sie das Stützbein der Seitengitter ⑦ mit den Schrauben C und dem Inbusschlüssel A am zusammengebauten Seitengitter.)

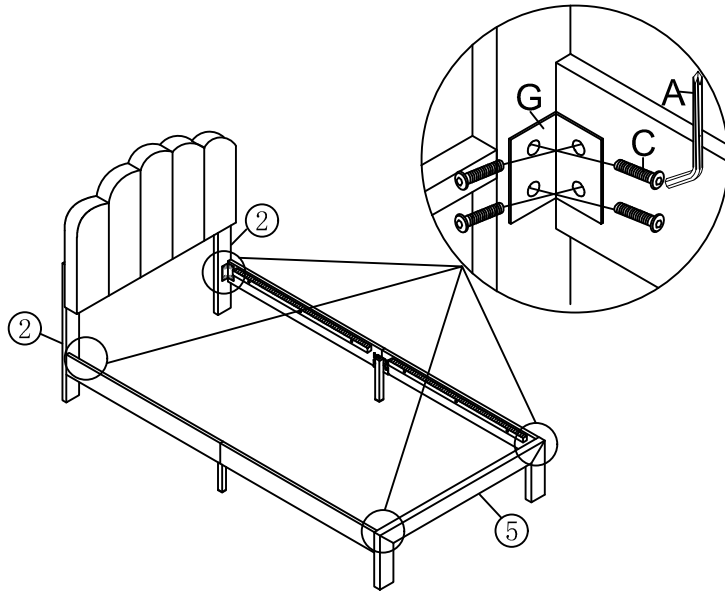





Allen Key	C Bolts x 8
	 M8X18mm

## Step 4

Fix the assembled siderail to the Headboard legs ② and footboard ⑤ with Bolts C and "7" Connector G by using Allen key A.

(Befestigen Sie die zusammengebaute Seitenschiene mit der Schraube C und dem "7"-Anschluss G unter Verwendung des Inbusschlüssels A an den Kopfteilbeinen ② und dem Fußteil ⑤.)

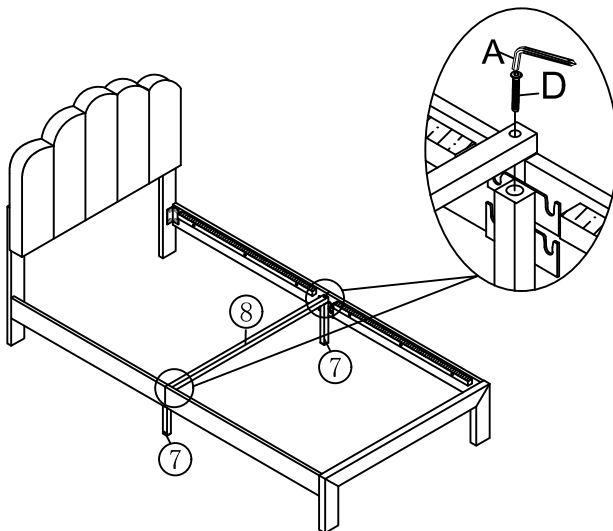




Allen Key 	C Bolts x 16 M8X18mm 	G "7" Connector x 4 
--	--	--

## Step 5

Fix the cross bar ⑧ to the side rails support legs ⑦ with Bolts D by using Allen key A.

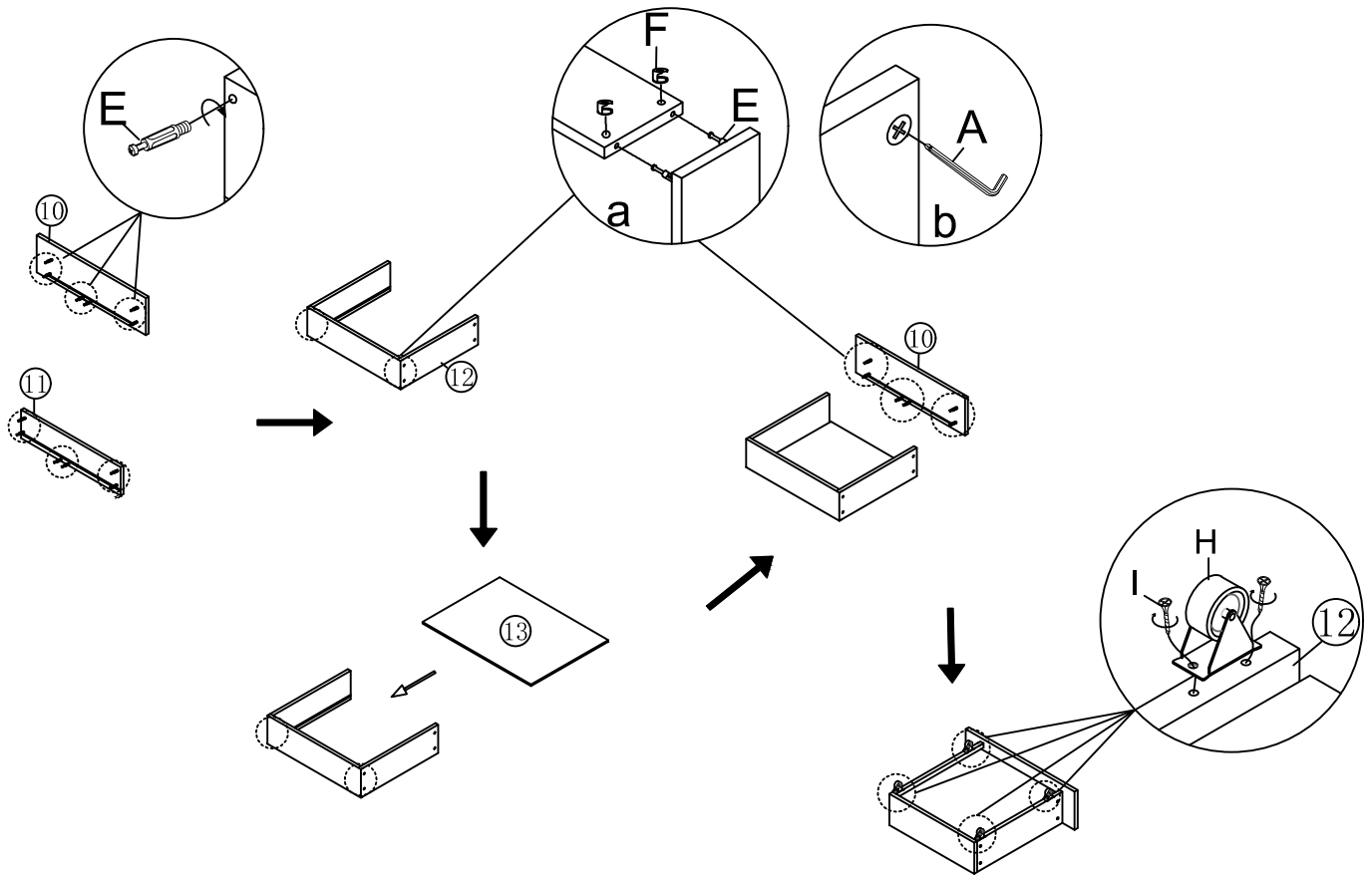
(Befestigen Sie die Stützstange ⑧ an den Stützfüße der Seitenplatte ⑦ mit den Schrauben D, indem Sie den Inbusschlüssel A verwenden.)




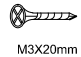



A Allen Key 	D Bolts x 2 M8X40mm 
--	---

## Step 6

Assembled the Drawer with Drawer fittings E and F. Fix the Wheel H with Nails I by using Electric drill or Screw driver.  
 (Bauen Sie die Schublade mit den Schubladenbeschlägen E und F zusammen. Befestigen Sie das Schubladenrad H mit Nägeln I mithilfe einer elektrischen Bohrmaschine oder eines Schraubenziehers.)

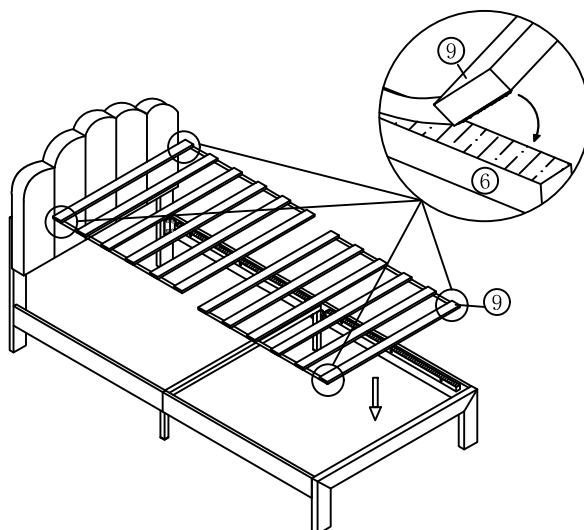


A Allen Key	E Drawer fittings x 8	F Drawer fittings x 8	I Nails x 8 M3X20mm	H Wheel x4
				

## Step 7

Fix the slats ⑨ to the side support bar ⑥ .

(Befestigen Sie die Lamellen ⑨ an der seitlichen Stützstange ⑥ .)



## Step 8

Push the drawers into the bed, then assembly is finished.

(Schieben Sie die Schubladen in das Bett, dann ist der Zusammenbau abgeschlossen)

