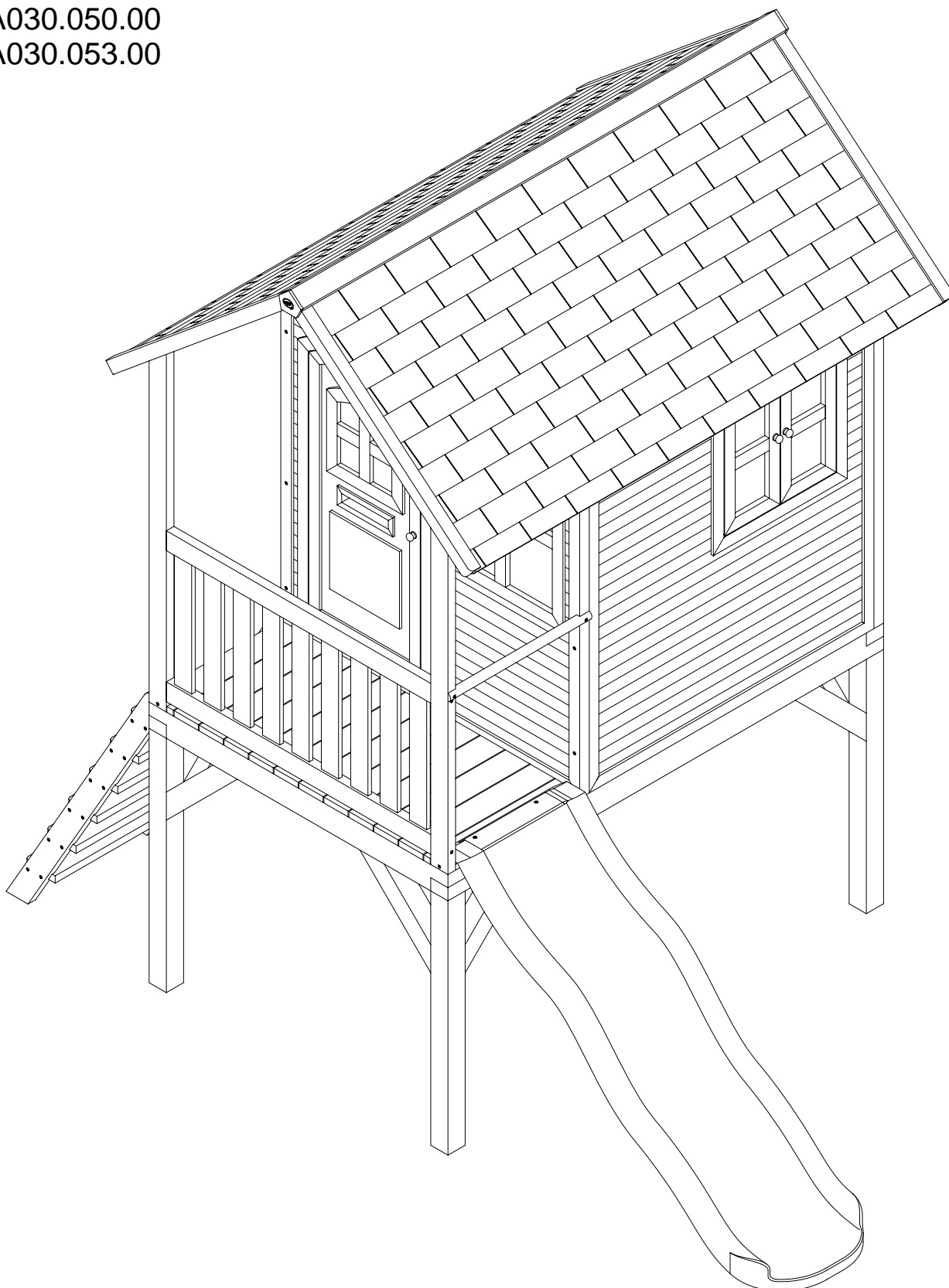
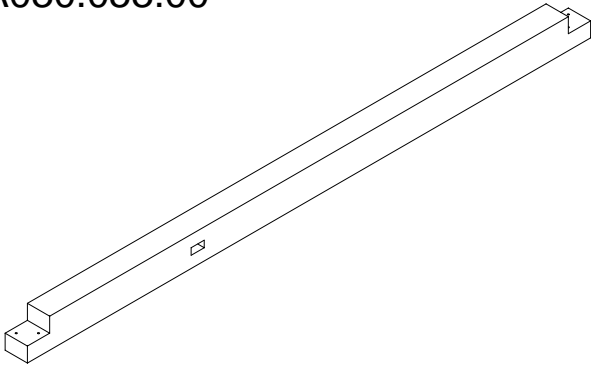


A030.032.00  
A030.046.00  
A030.047.00  
A030.049.00  
A030.050.00  
A030.053.00

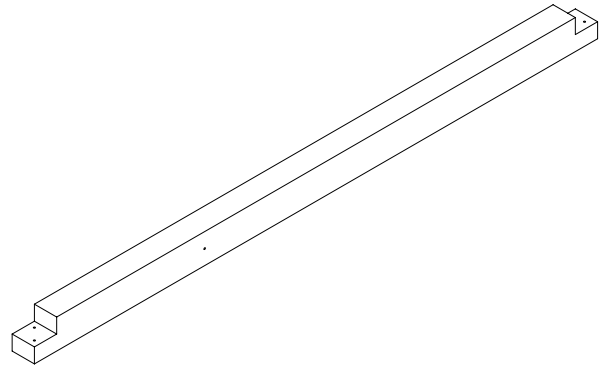




A030.053.00



2

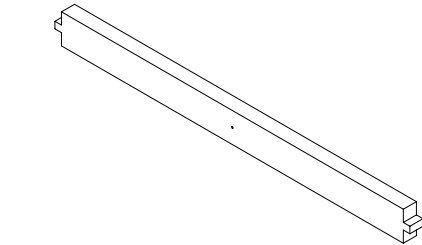


3

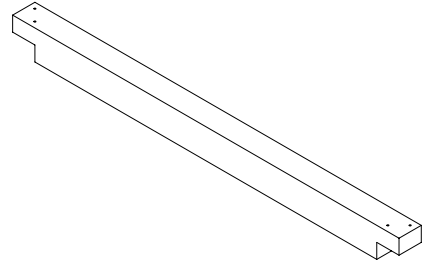


1

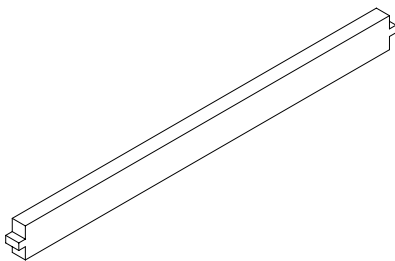
4x



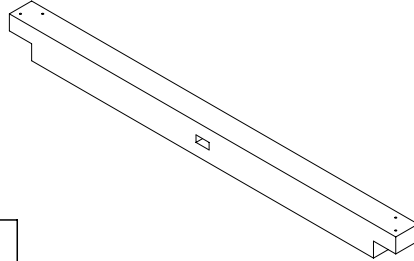
4



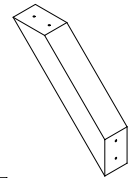
5



6

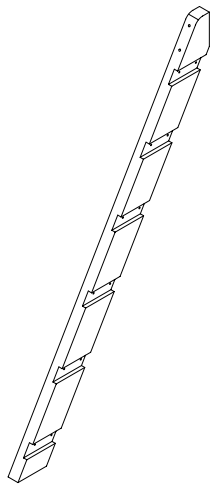


7

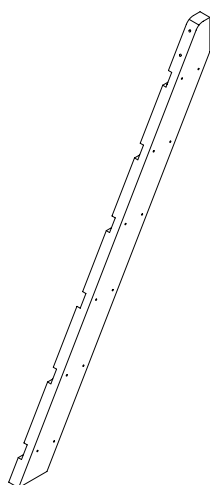


8

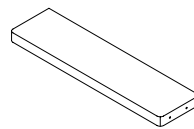
8x



20

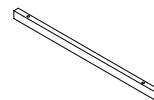


21



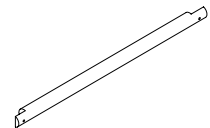
22

6x

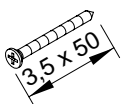


23

2x

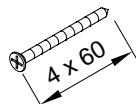


24



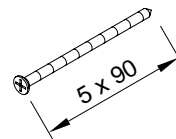
s1

30x



s2

34x

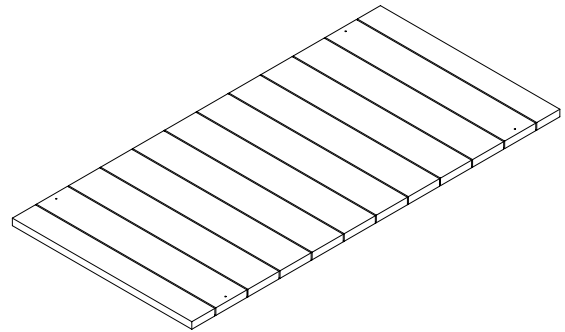
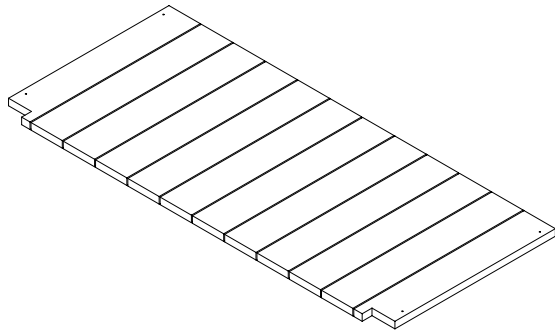


s5

24x



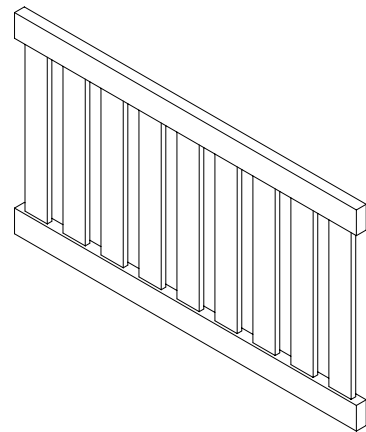
A030.050.00



13

14

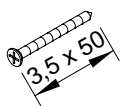
2x



18

2x

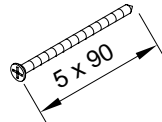
19



s1

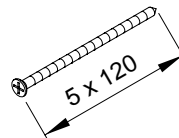
16x

s5



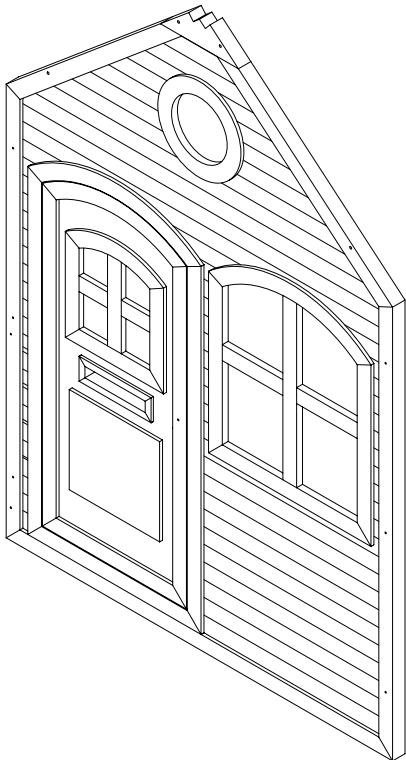
2x

s7

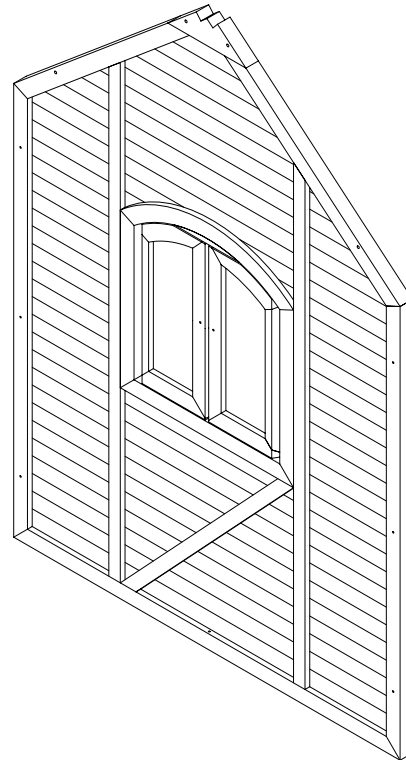


4x

A030.046.00



9



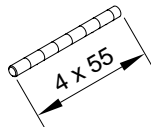
11



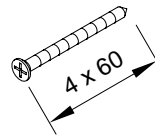
12

14x

t1



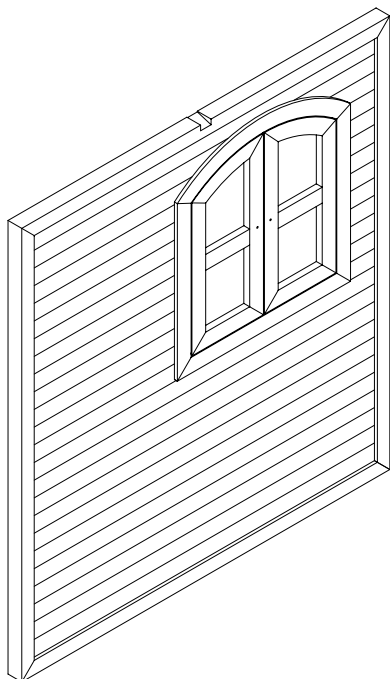
7x



16x

s2

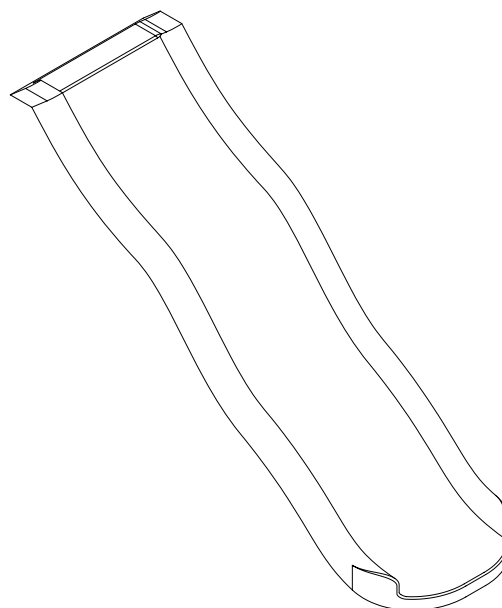
A030.047.00



10

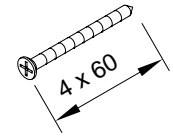
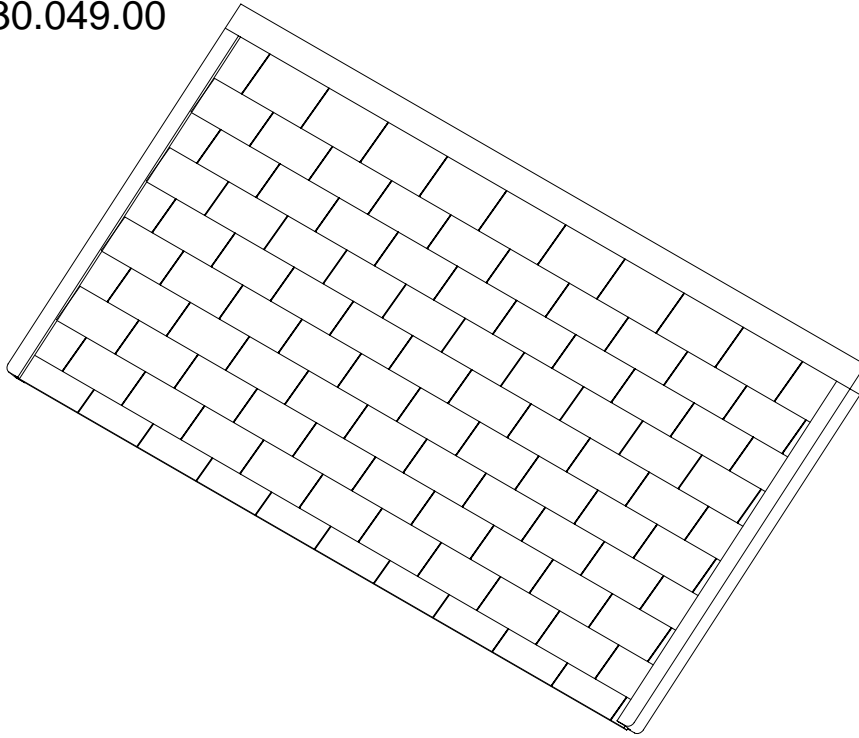
2x

A030.032.00



25

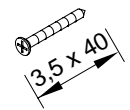
A030.049.00



s2

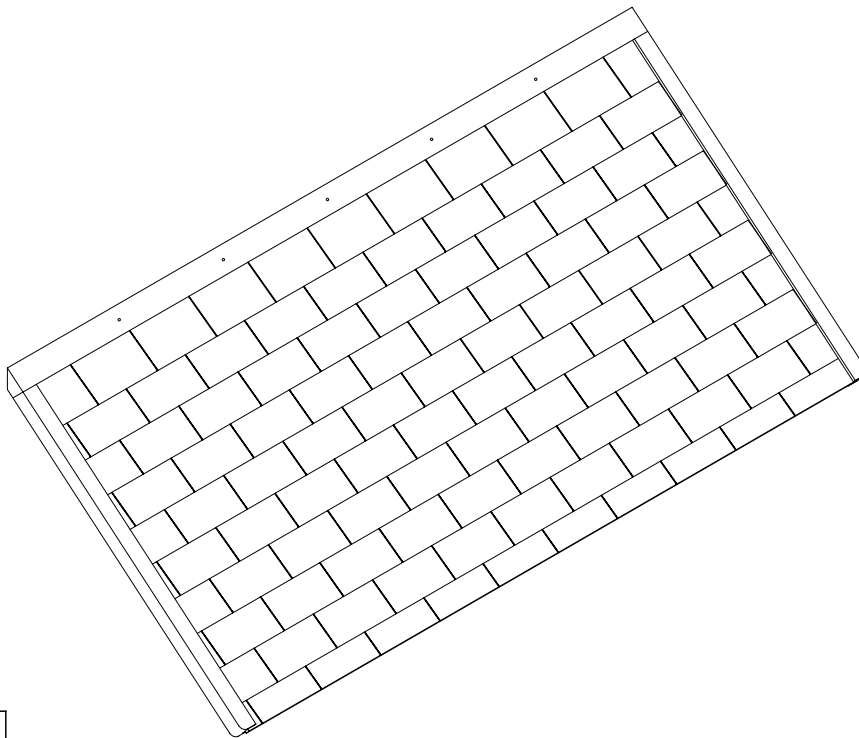
8x

15

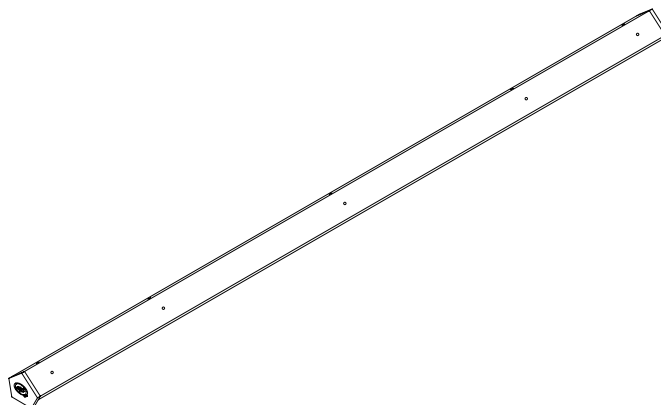


s3


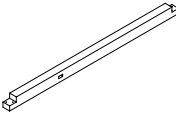
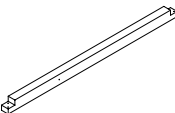
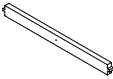
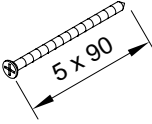
15x



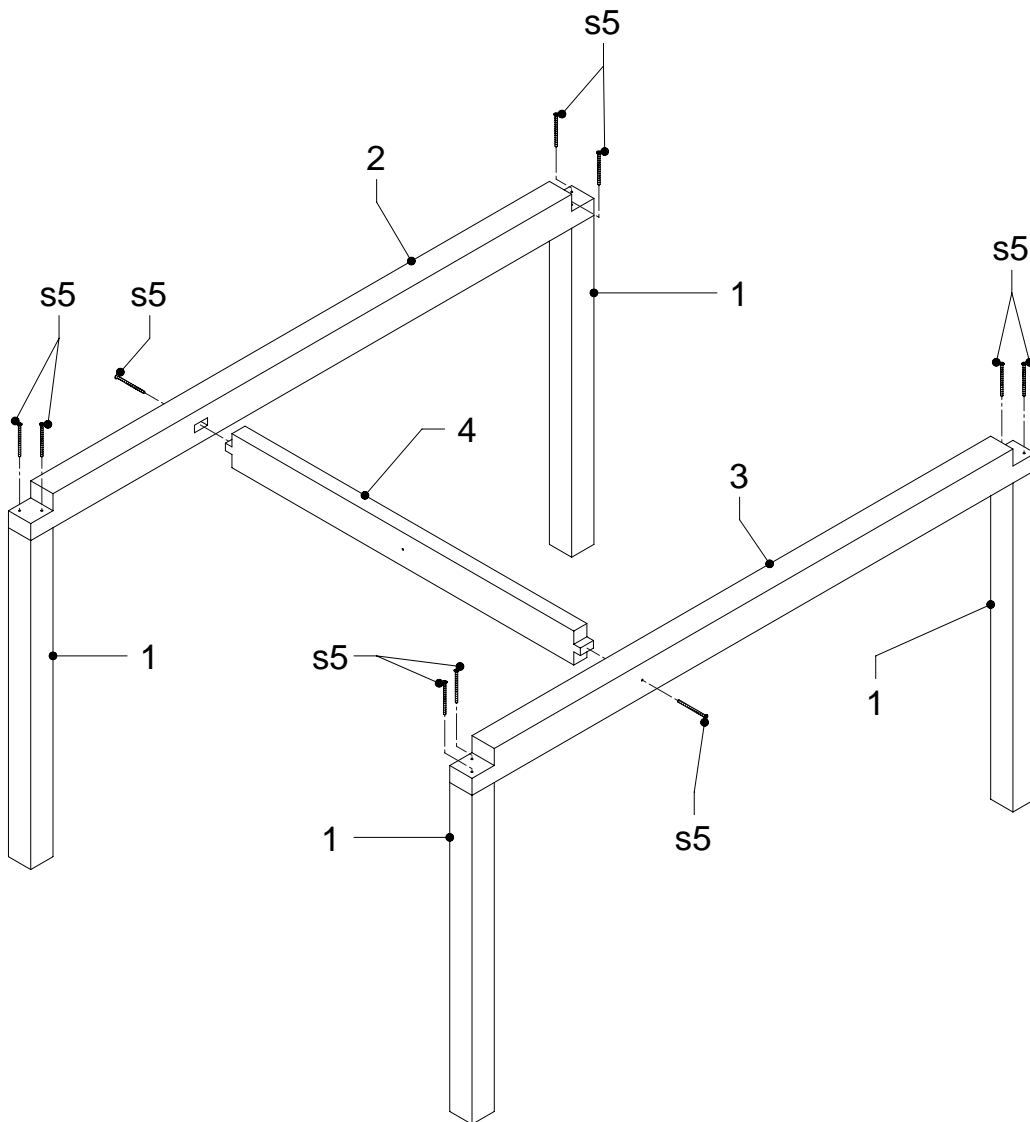
16



17

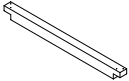
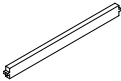
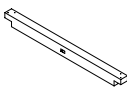

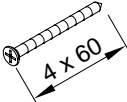
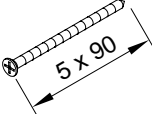
						
1	4x	2	3	4	s5	10x

A030.053.00

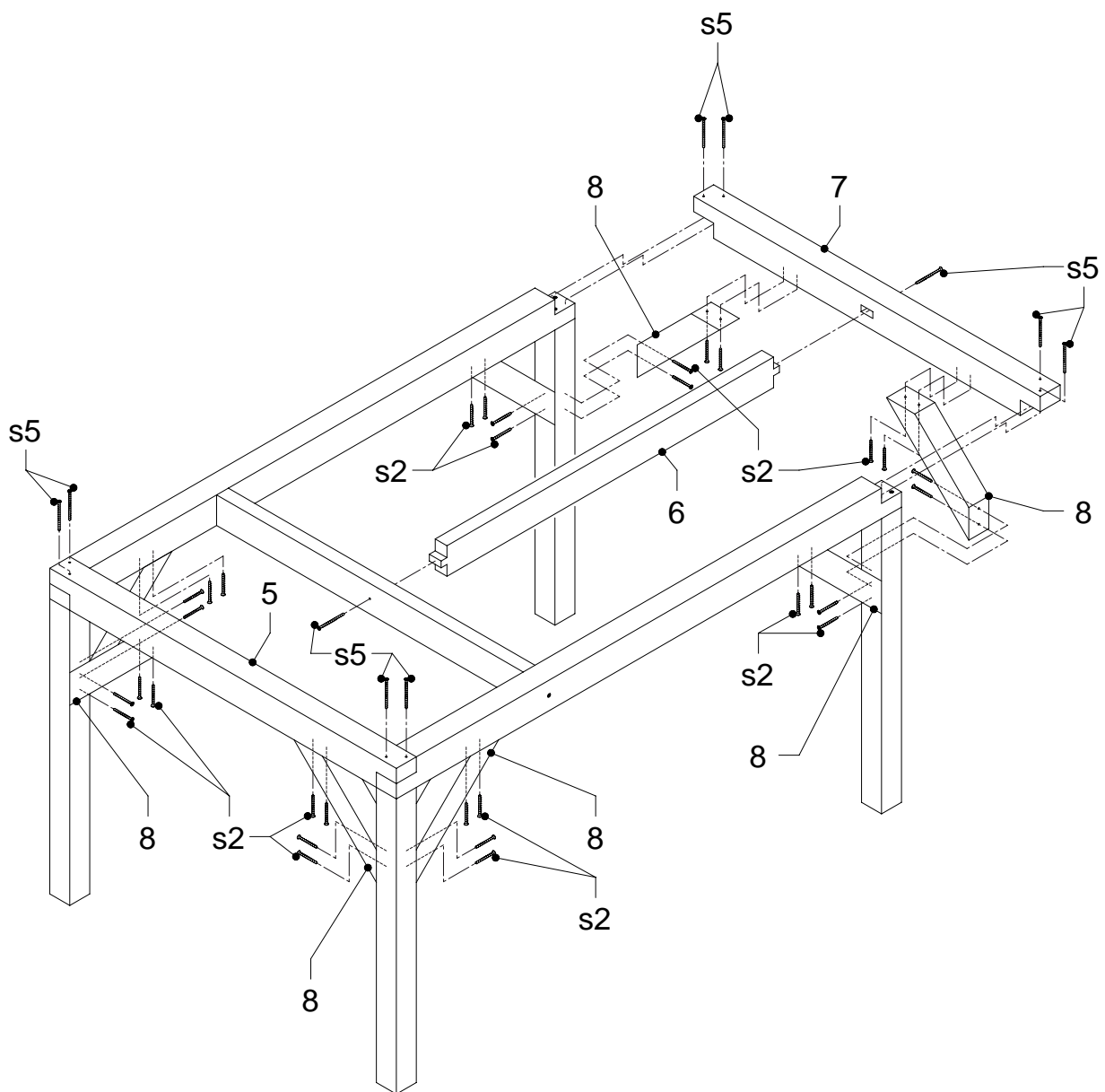




# Laura


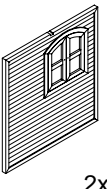
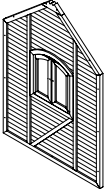
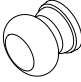
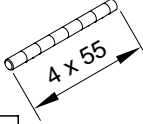
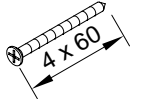
						
5	6	7	8	8x s2	32x s5	10x s5

A030.053.00

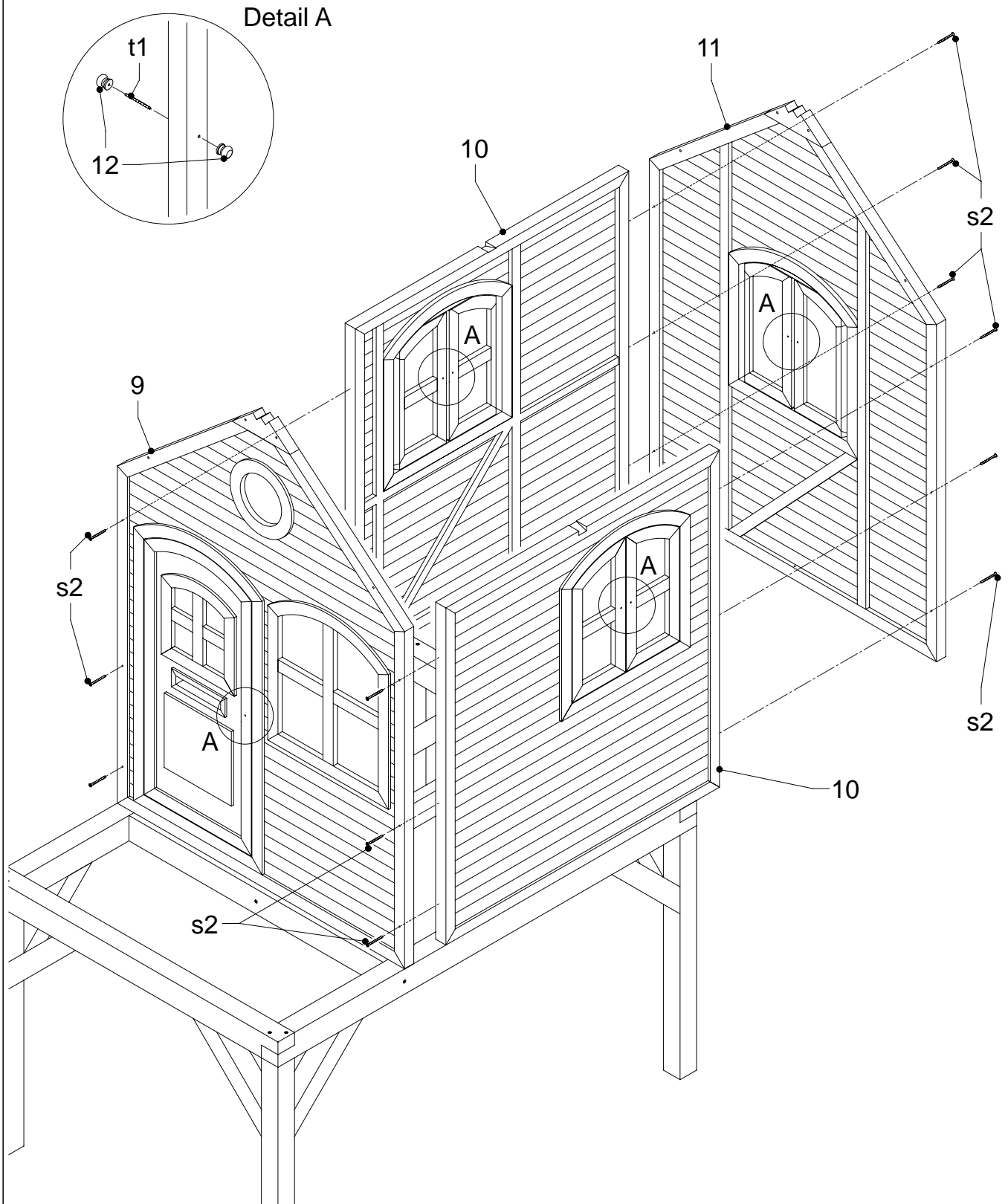




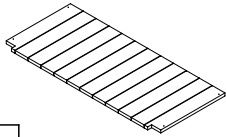
# Laura

									
9	10	2x	11	12	14x	t1	7x	s2	12x

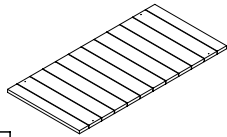
A030.046.00 + A030.047.00







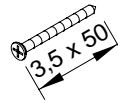
13



14

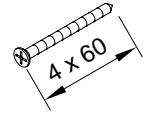
2x

s1



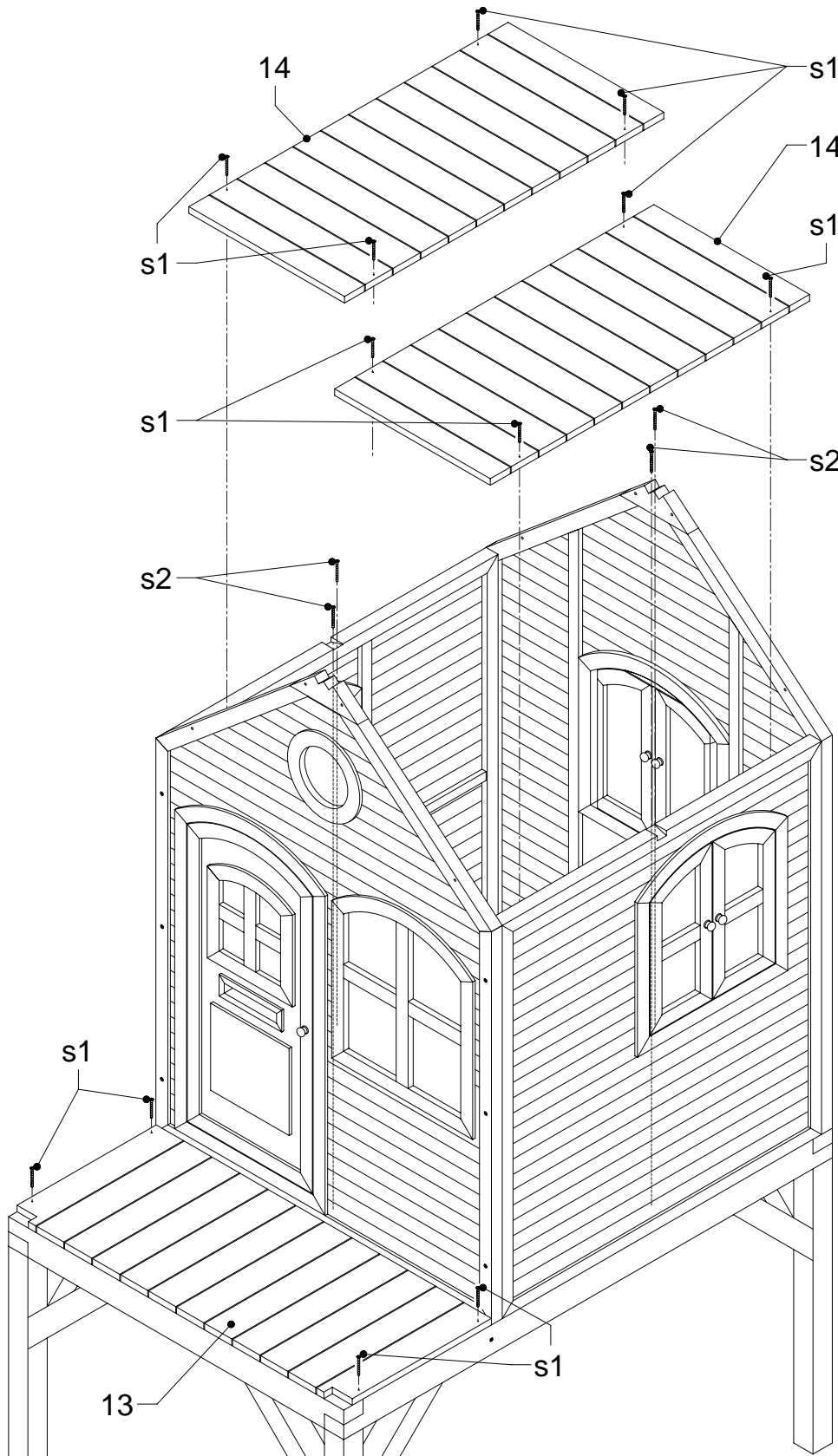
12x

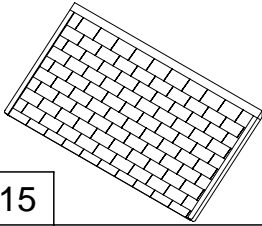
s2



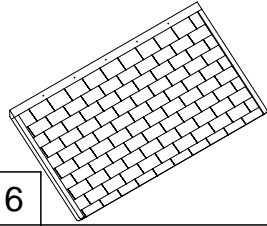
4x

A030.050.00

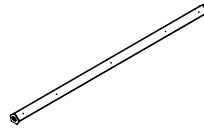




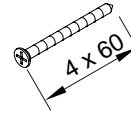
15



16

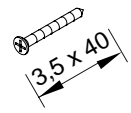


17



s2

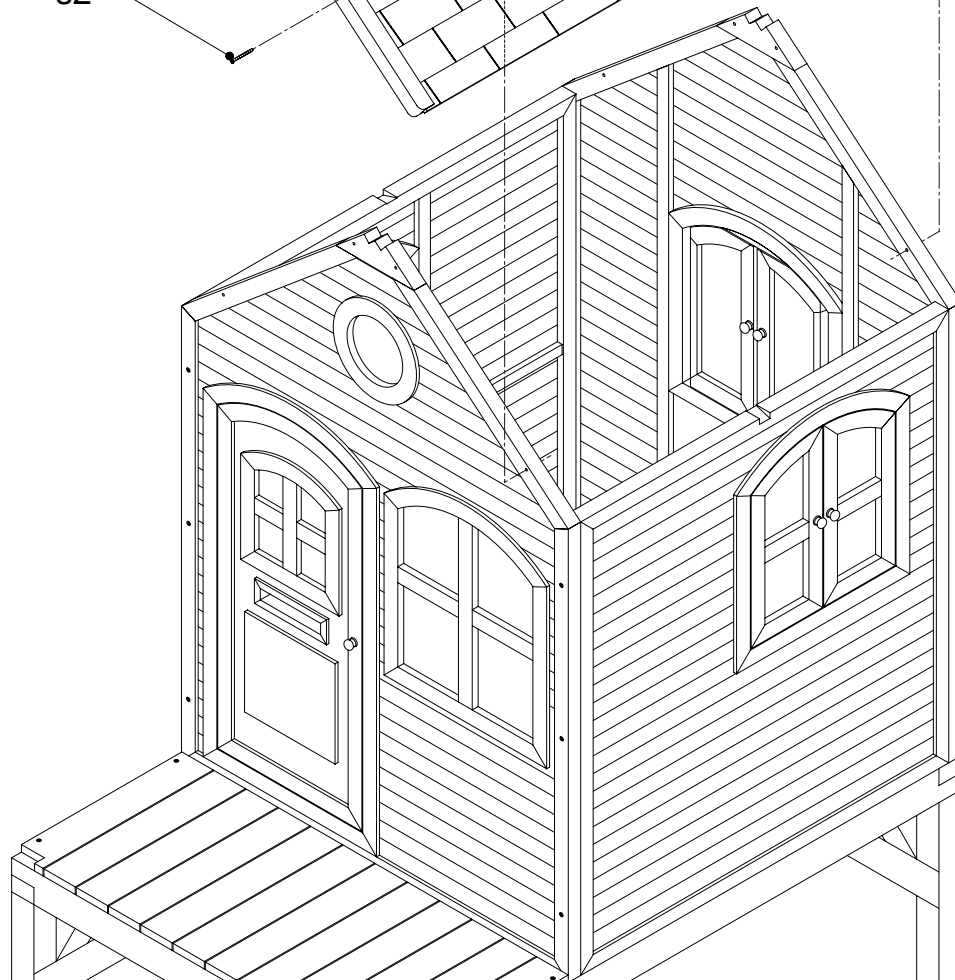
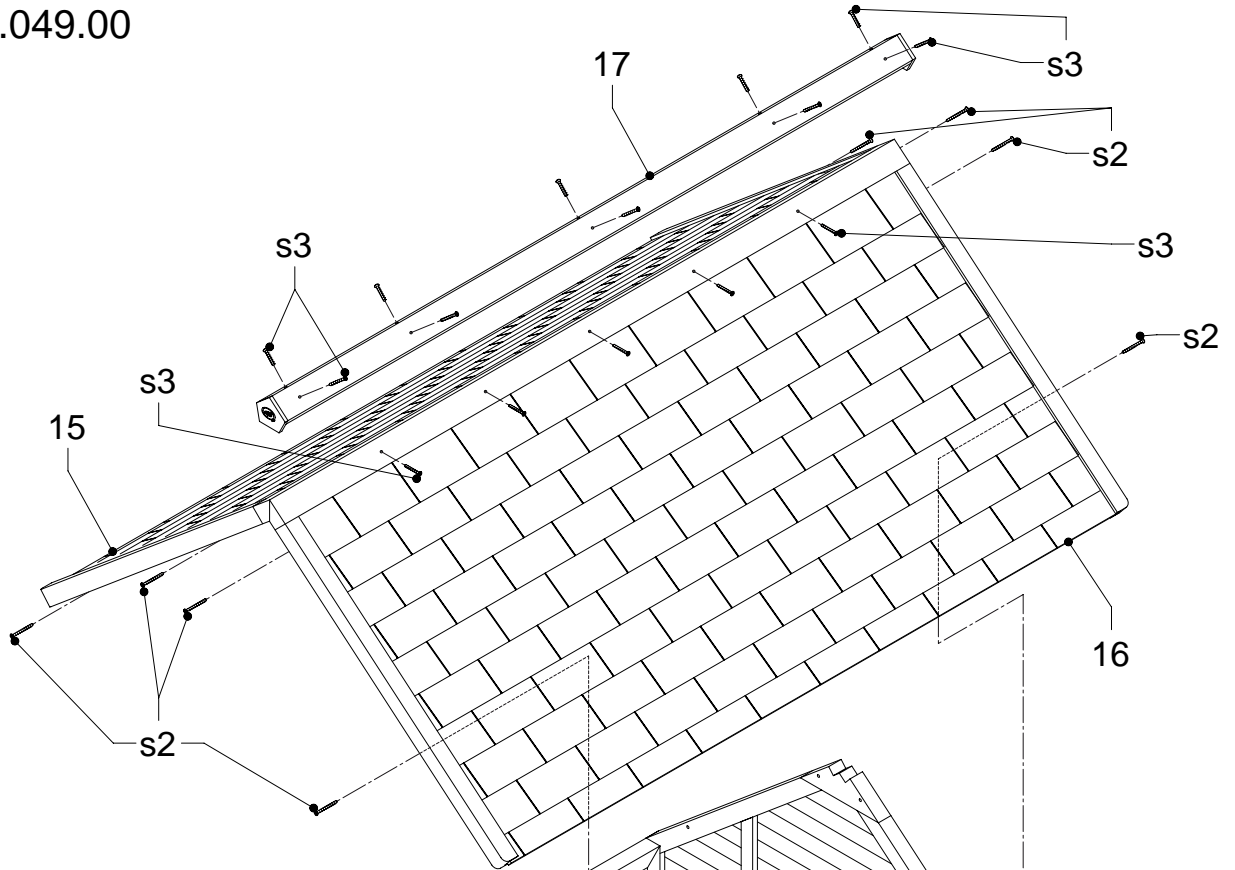
8x


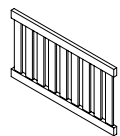
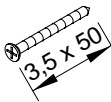
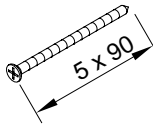
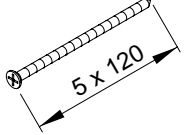


s3

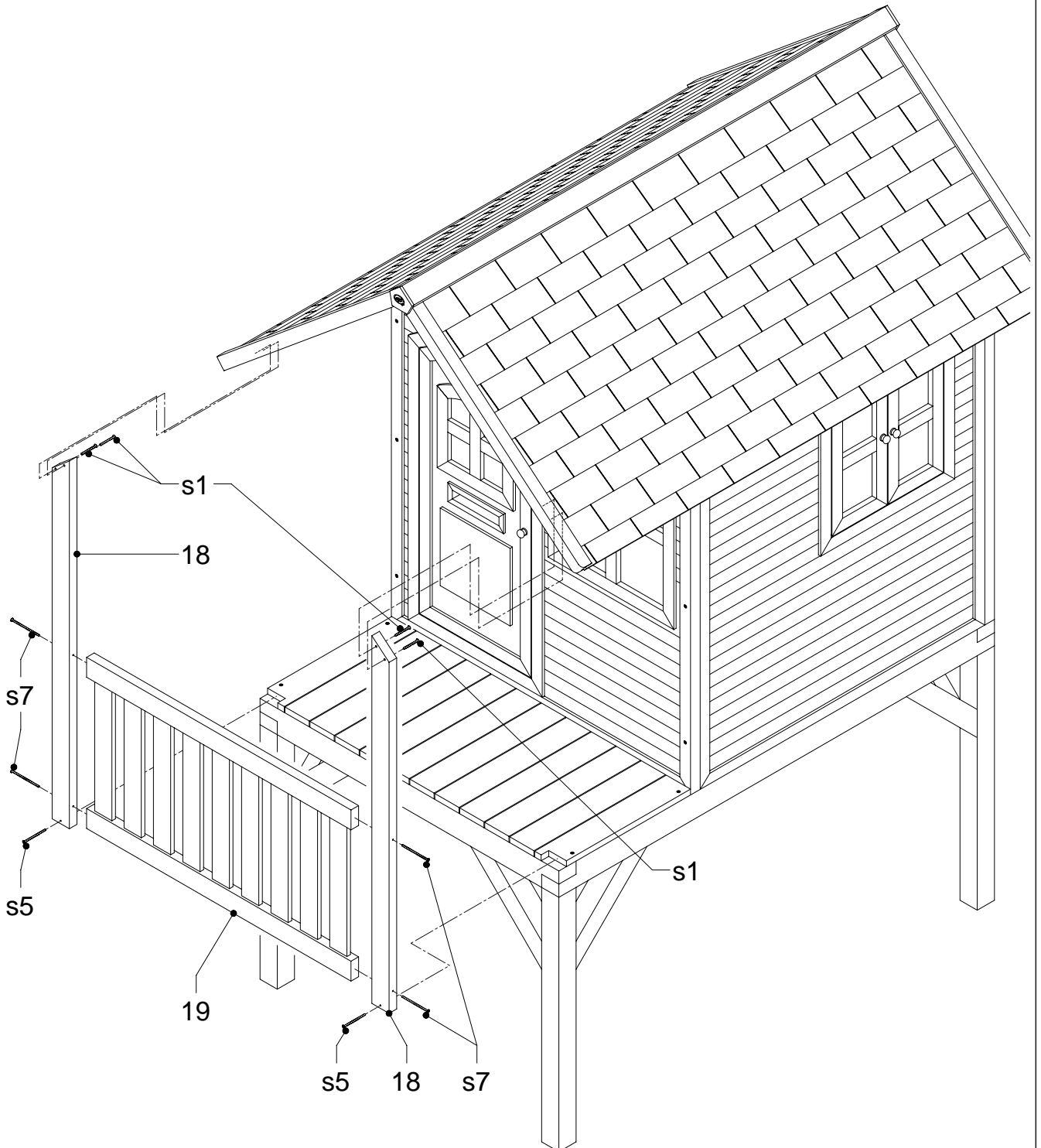
15x

A030.049.00



								
18	2x	19	s1	4x	s5	2x	s7	4x

A030.050.00





			22	6x		23	2x		24		25		35 x 50	s1	30x		4 x 60	s2	2x		5 x 90	s5	4x
--	--	--	----	----	--	----	----	--	----	--	----	--	---------	----	-----	--	--------	----	----	--	--------	----	----

A030.032.00 + A030.053.00

