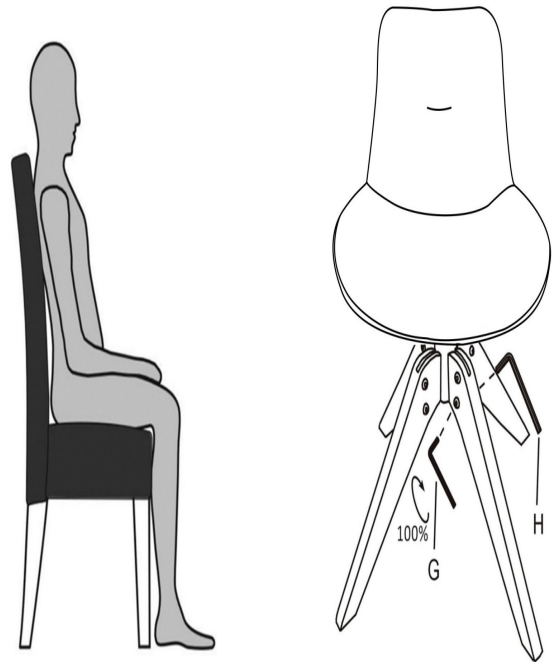
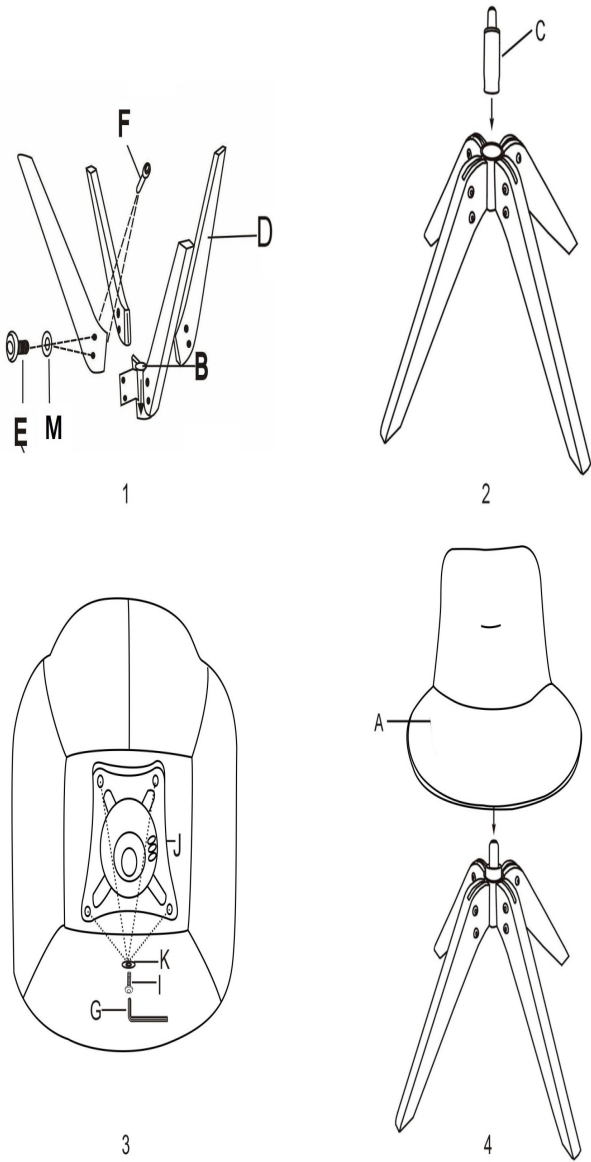
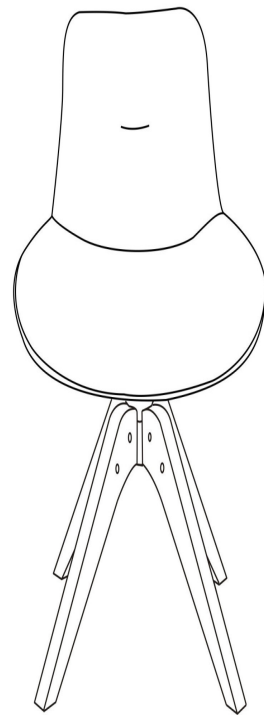


***Do not tighten the screw completely before step4(levelling)**



5

6



7