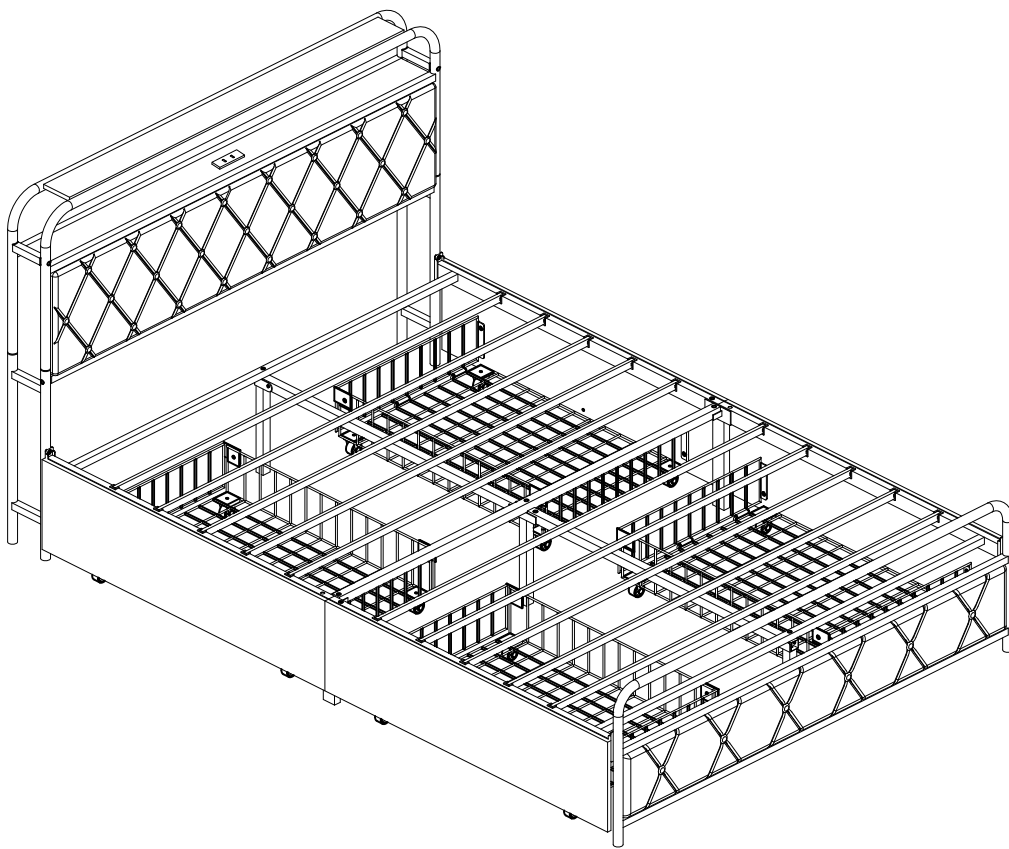
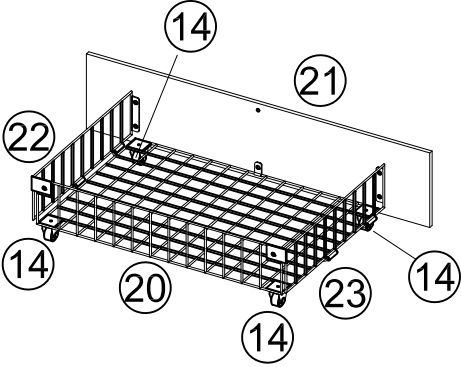
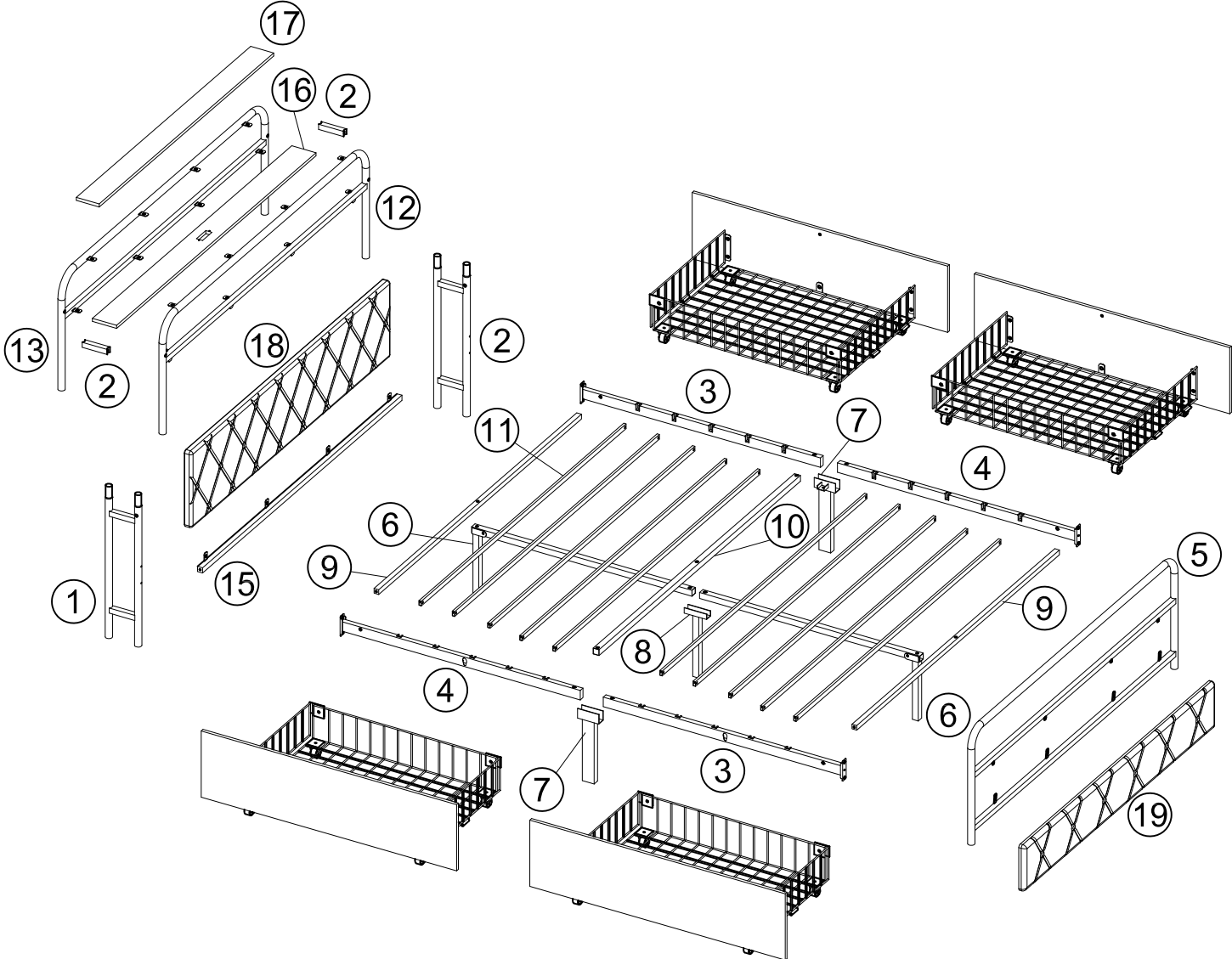


# ASSEMBLY INSTRUCTION

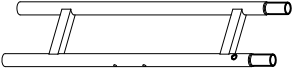

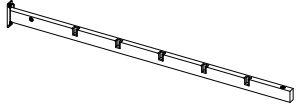
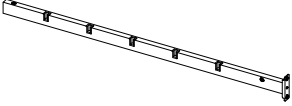


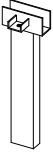
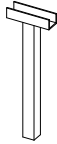
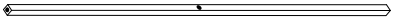
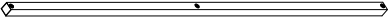


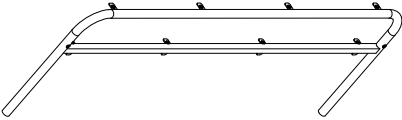


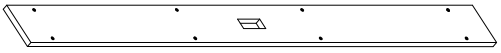

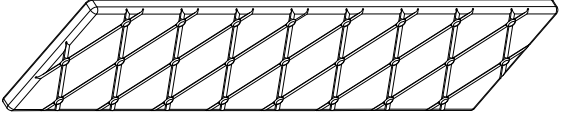
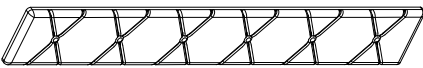
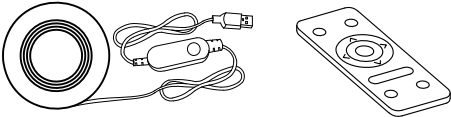
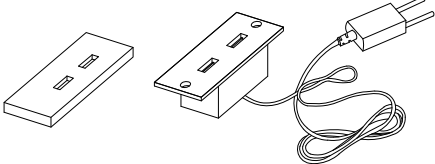
**SKU:WF323083**  
**SKU:WF323084**



# Parts List

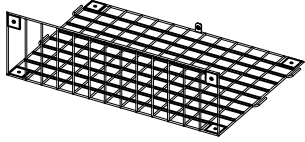


# Parts List For WF323084

<p>①</p>  <p>X 2</p>	<p>②</p>  <p>X 2</p>	<p>③</p>  <p>X 2</p>
<p>④</p>  <p>X 2</p>	<p>⑤</p>  <p>X 1</p>	<p>⑥</p>  <p>X 2</p>
<p>⑦</p>  <p>X 2</p>	<p>⑧</p>  <p>X 1</p>	<p>⑨</p>  <p>X 2</p>
<p>⑩</p>  <p>X 1</p>	<p>⑪</p>  <p>X 10</p>	<p>⑭</p>  <p>X 16</p>
<p>⑫</p>  <p>X 1</p>	<p>⑬</p>  <p>X 1</p>	
<p>⑮</p>  <p>X 1</p>	<p>⑯</p>  <p>X 1</p>	
<p>⑰</p>  <p>X 1</p>	<p>⑱</p>  <p>X 1</p>	
<p>⑲</p>  <p>X 1</p>		
<p>P</p>  <p>X 1</p>	<p>Q</p>  <p>X 1</p>	

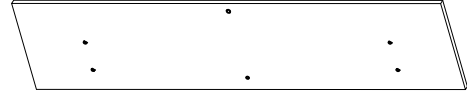
# Parts List For WF323083

20



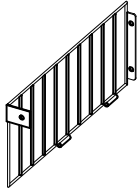
X 4

21



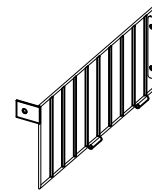
X 4

22



X 4

23



X 4

# Hardware List For WF323083

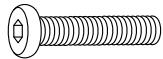
A



M8x60mm

X3

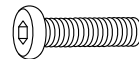
B



M8x50mm

X4

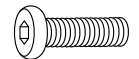
C



M8x40mm

X6

D



M8x35mm

X8

E



M8x20mm

X8

F



M6x12mm

X68

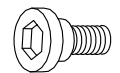
G



M3x12mm

X2

H



M8x16mm

X4

I



Ø17\*Ø8.5\*2

X7

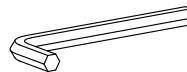
J



M6

X8

K



M4

X1

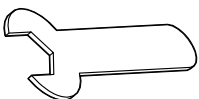
L



M5

X1

M



X1

N



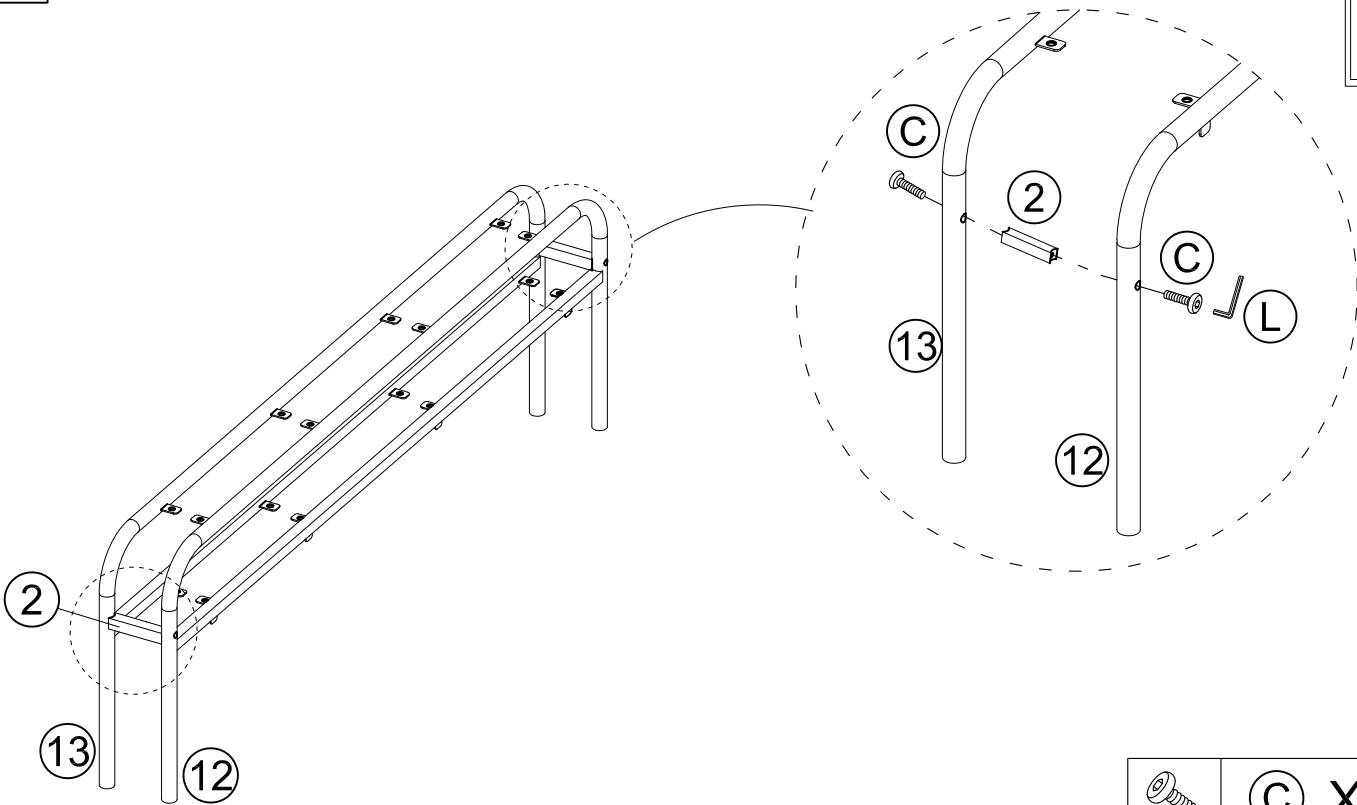
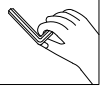
X1

O



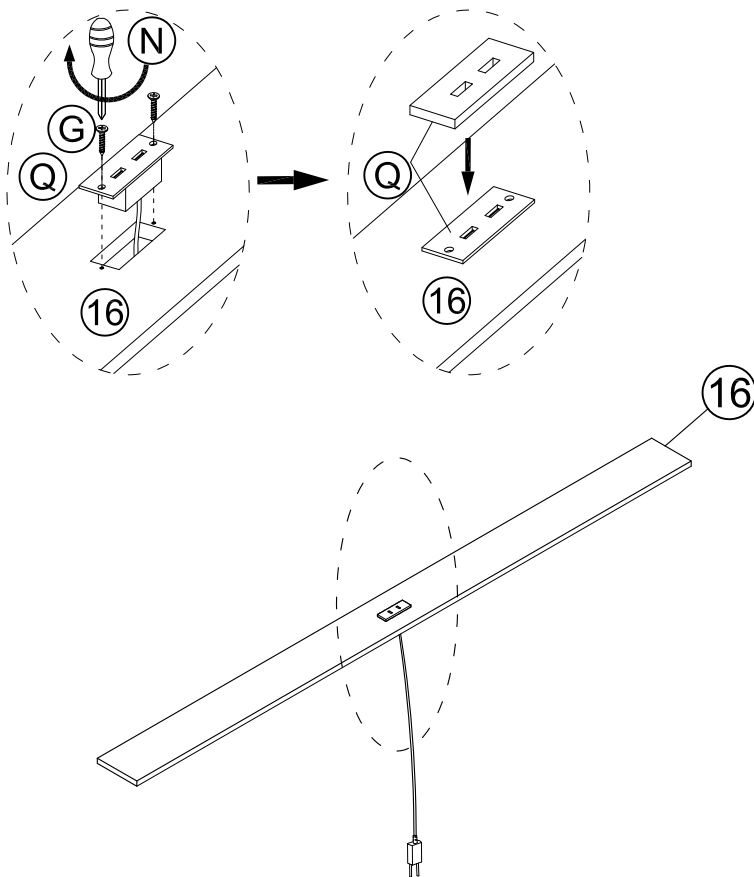
X16

1



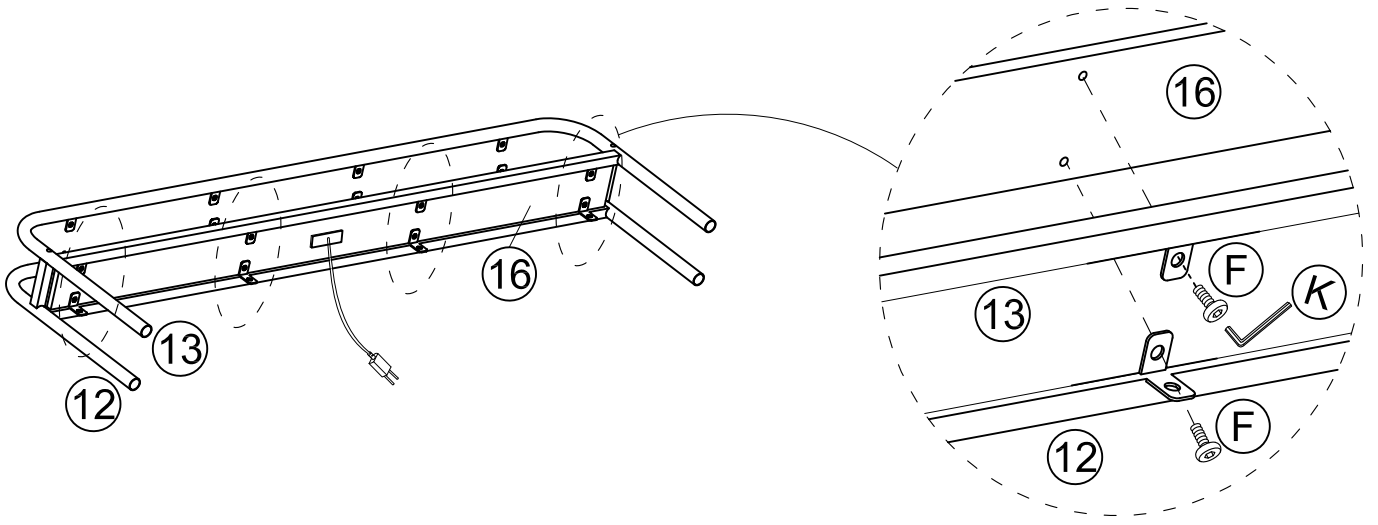
	C X4
	L X1



2



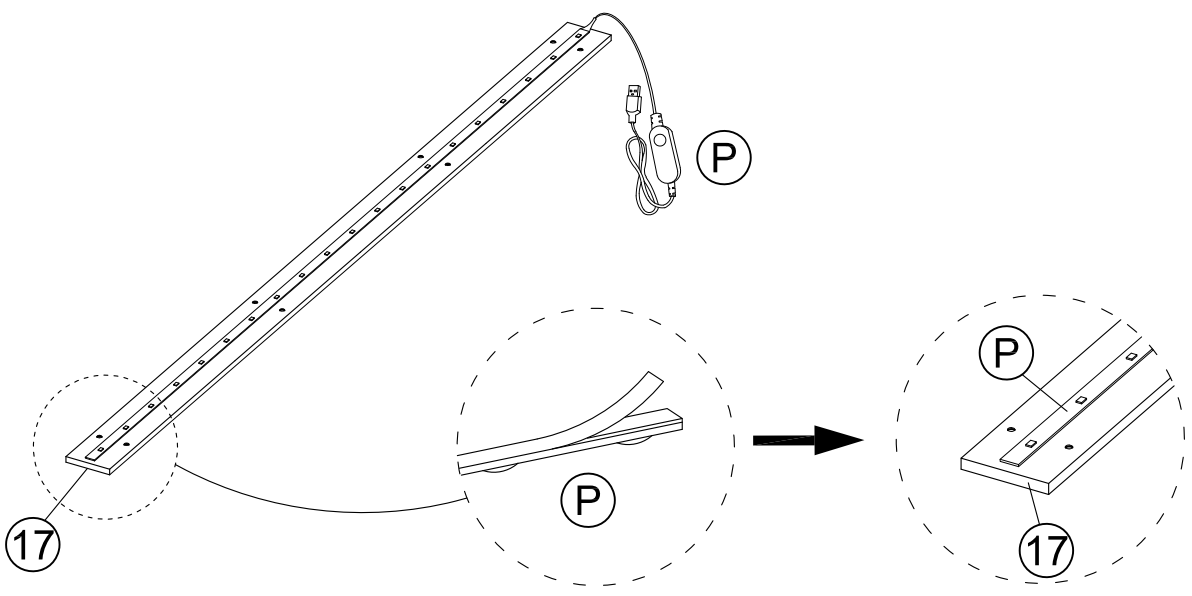
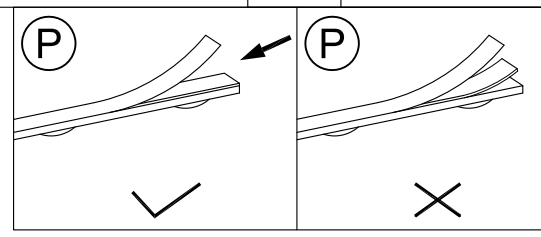
	Q X1
	G X2
	N X1

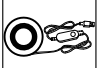
3



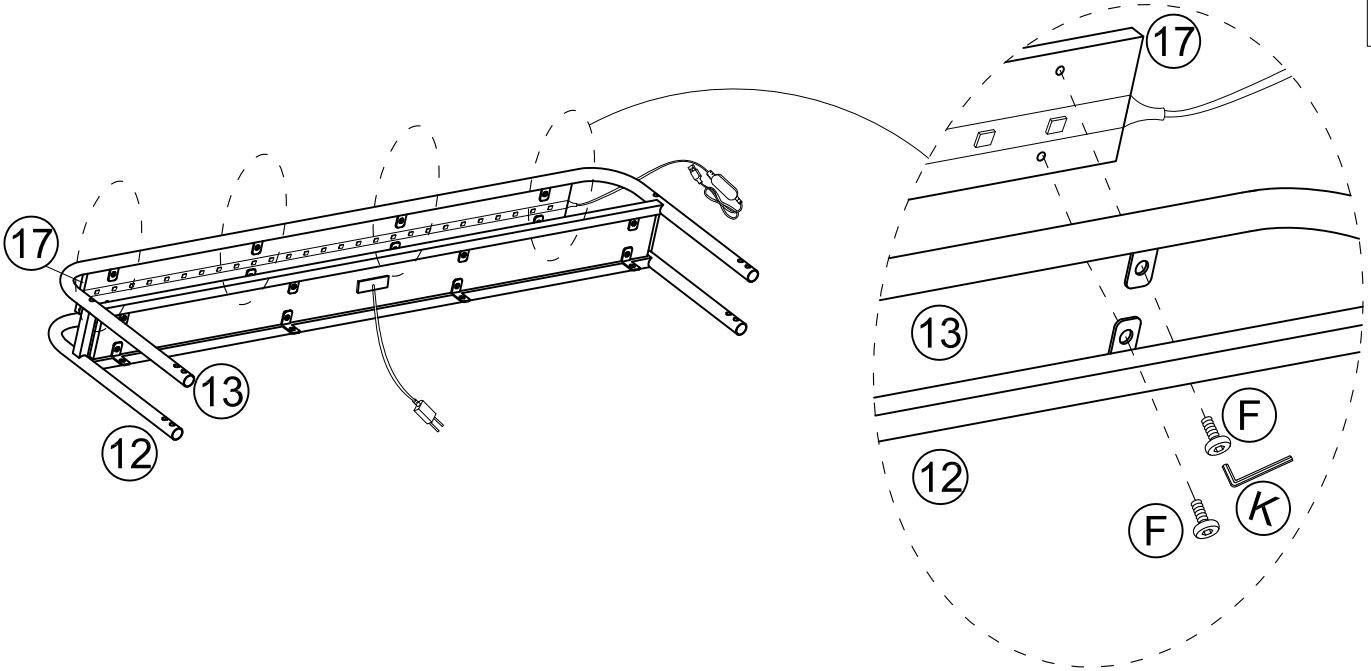
	(F) X8
	(K) X1

4



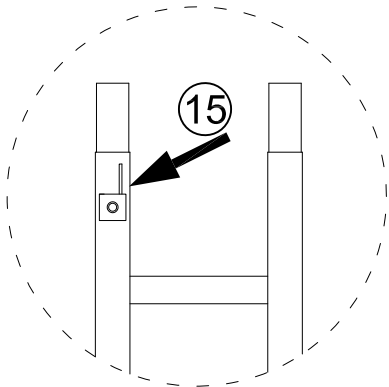
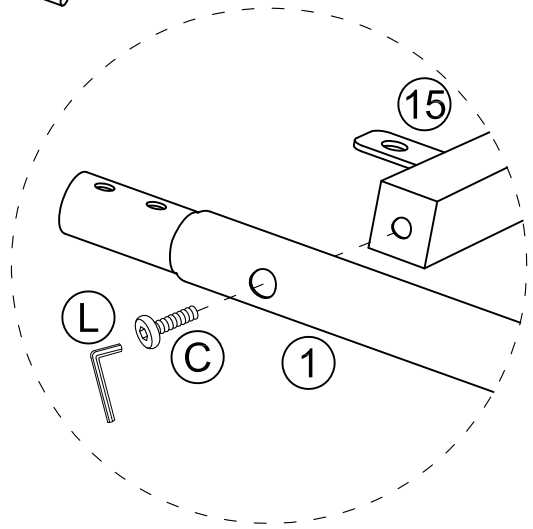
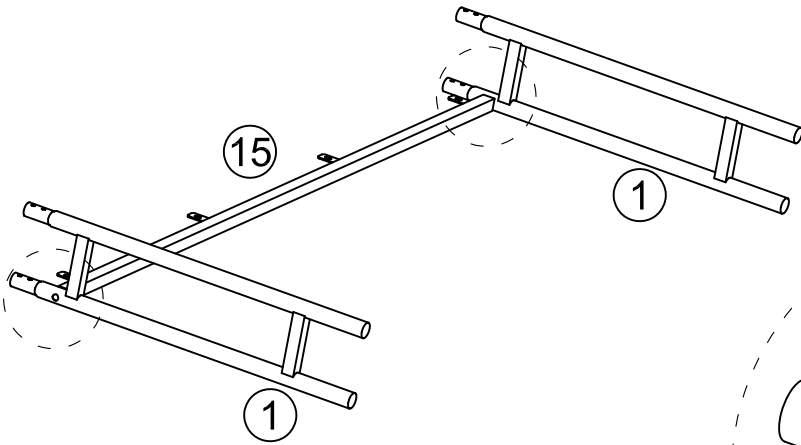
	(P) X1
---	--------

5



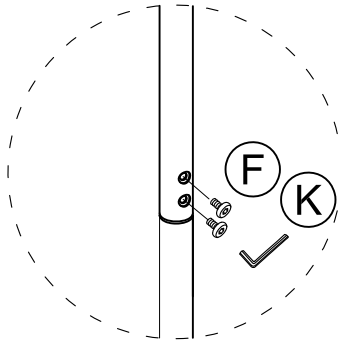
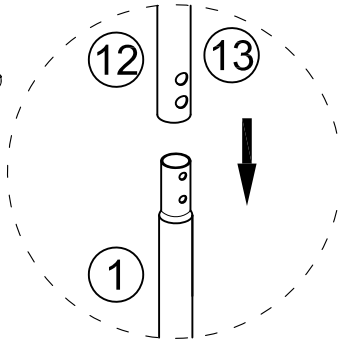
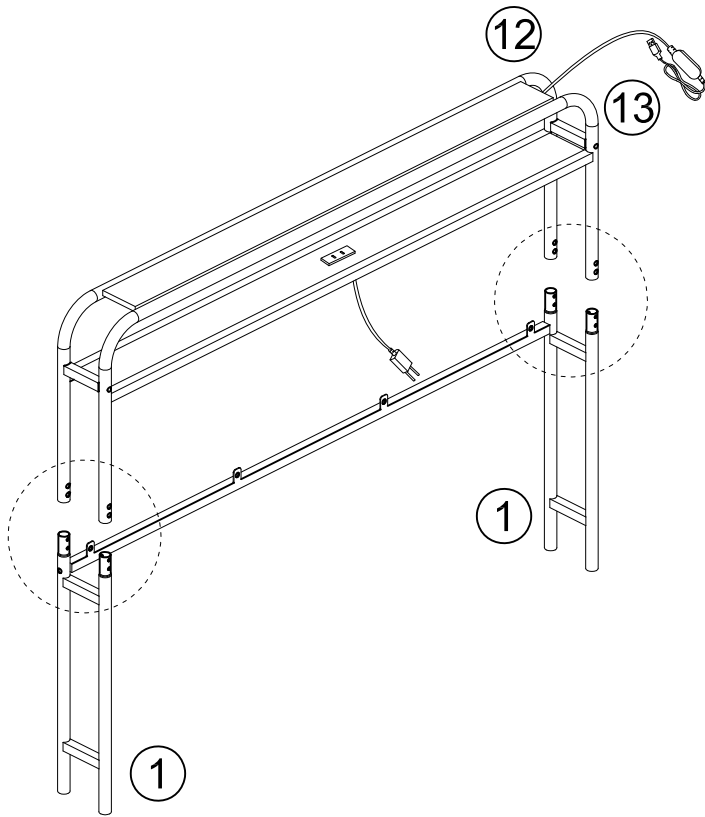
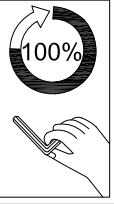
	(F) X8
	(K) X1

6



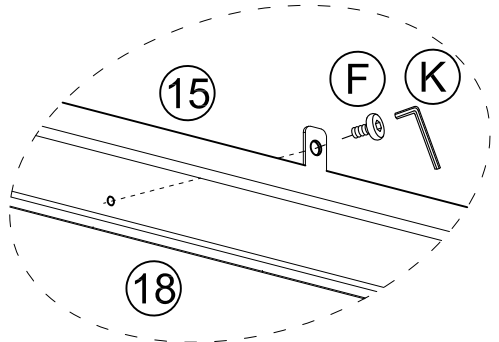
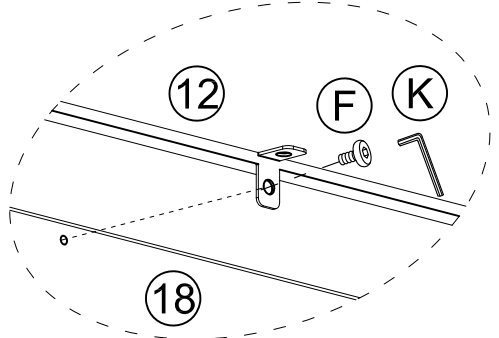
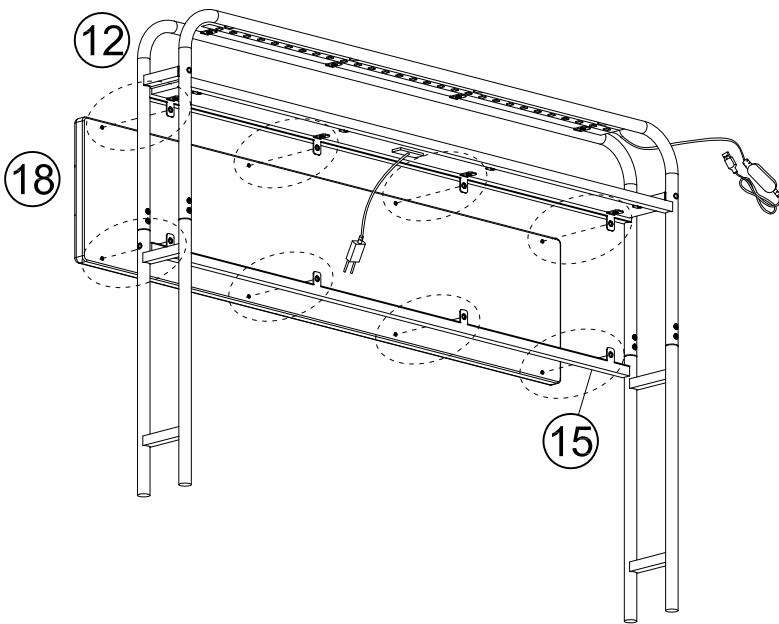
	(C) X2
	(L) X1

7



	(F) X8
	(K) X1

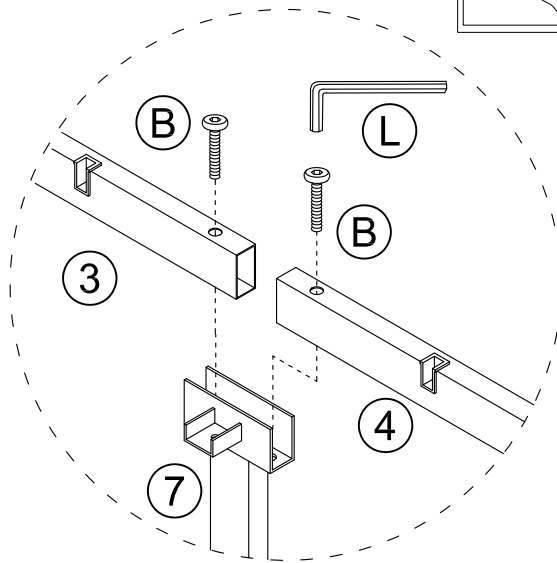
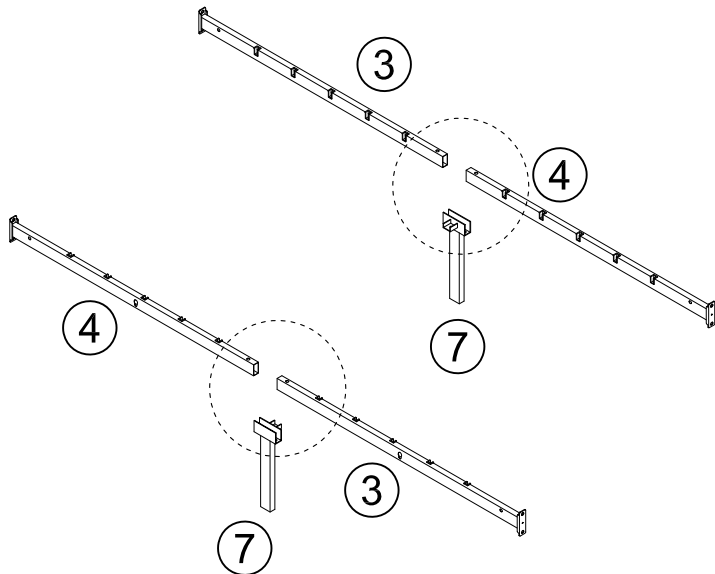
8



	(F) X8
	(K) X1

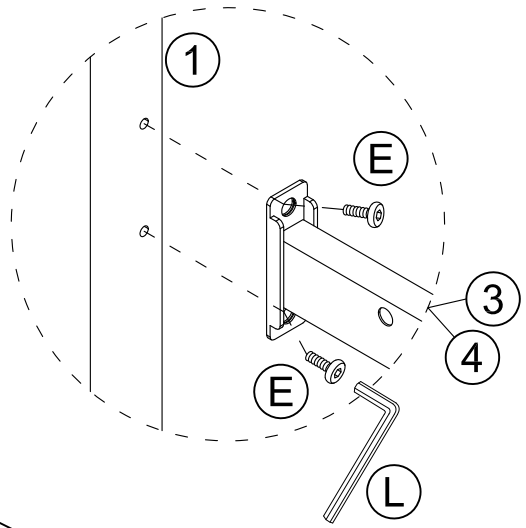
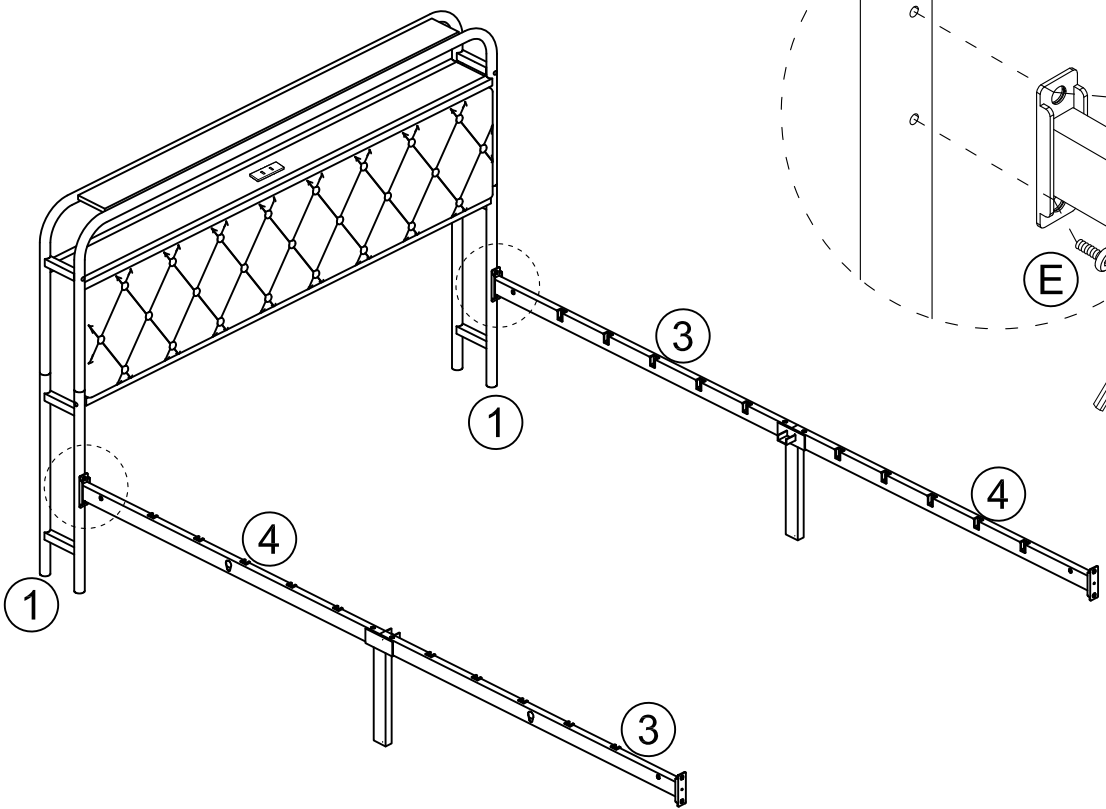


9



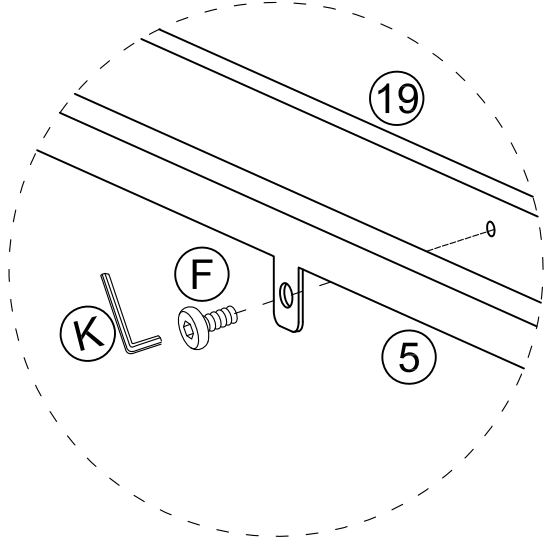
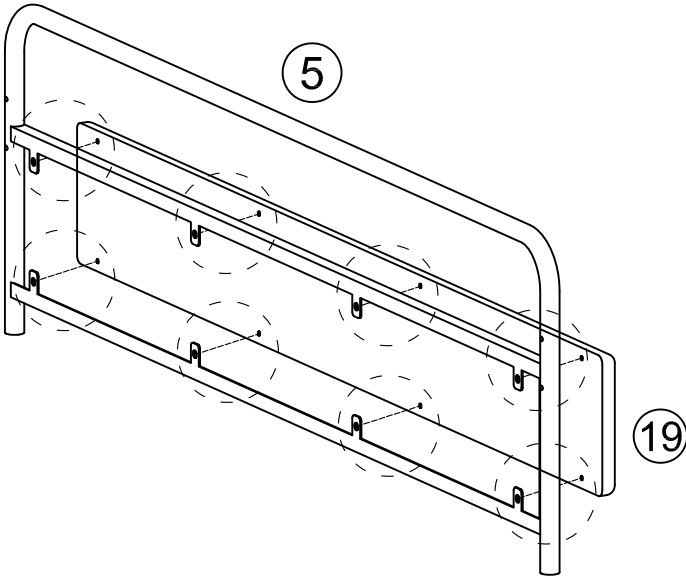
	(B) X4
	(L) X1

10



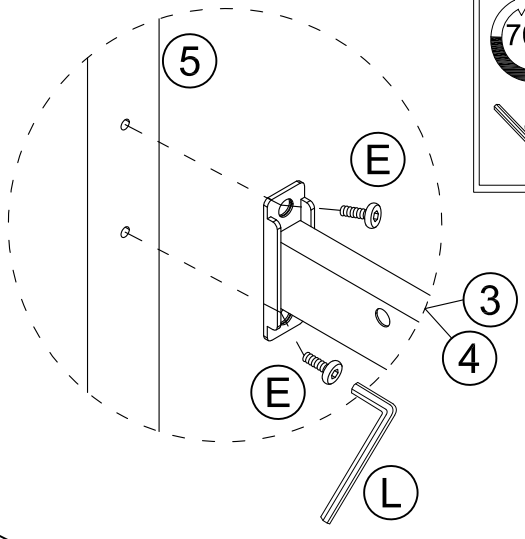
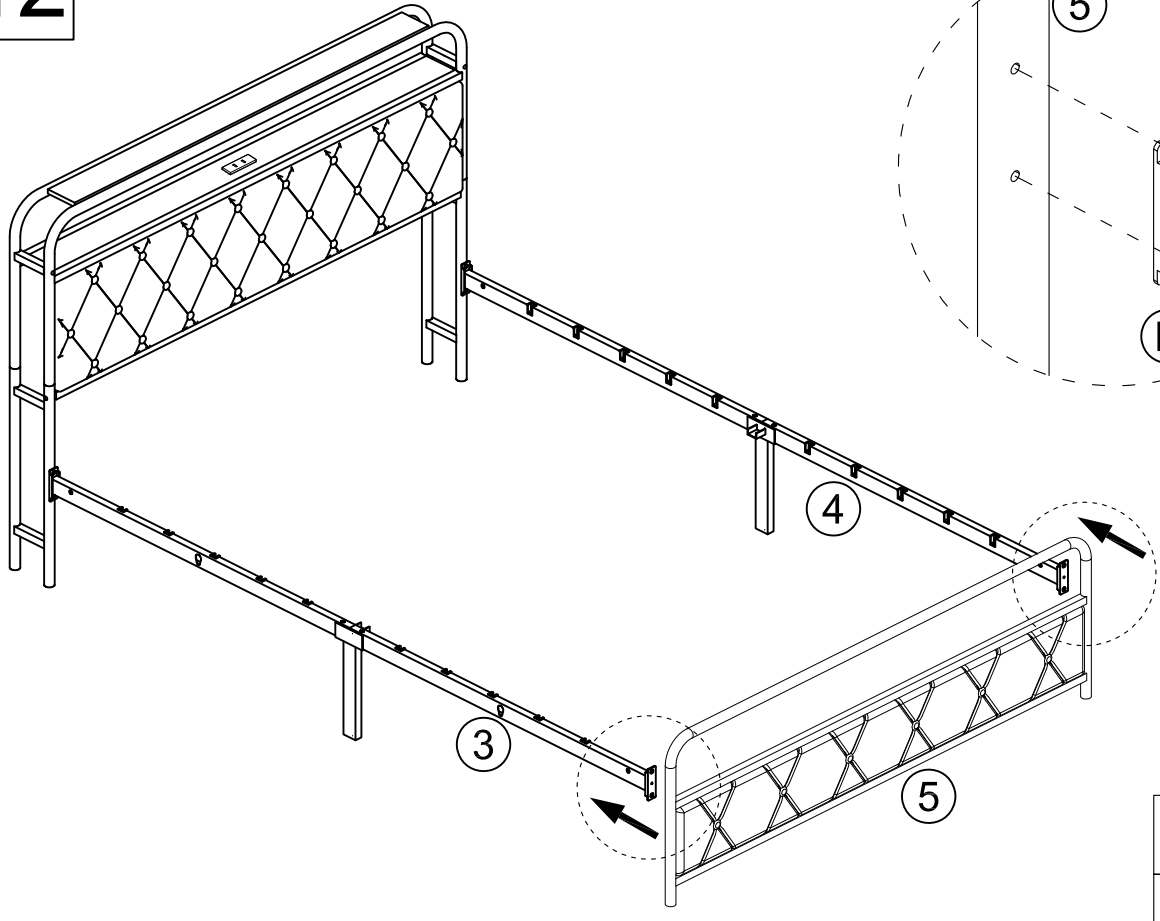
	(E) X4
	(L) X1

11



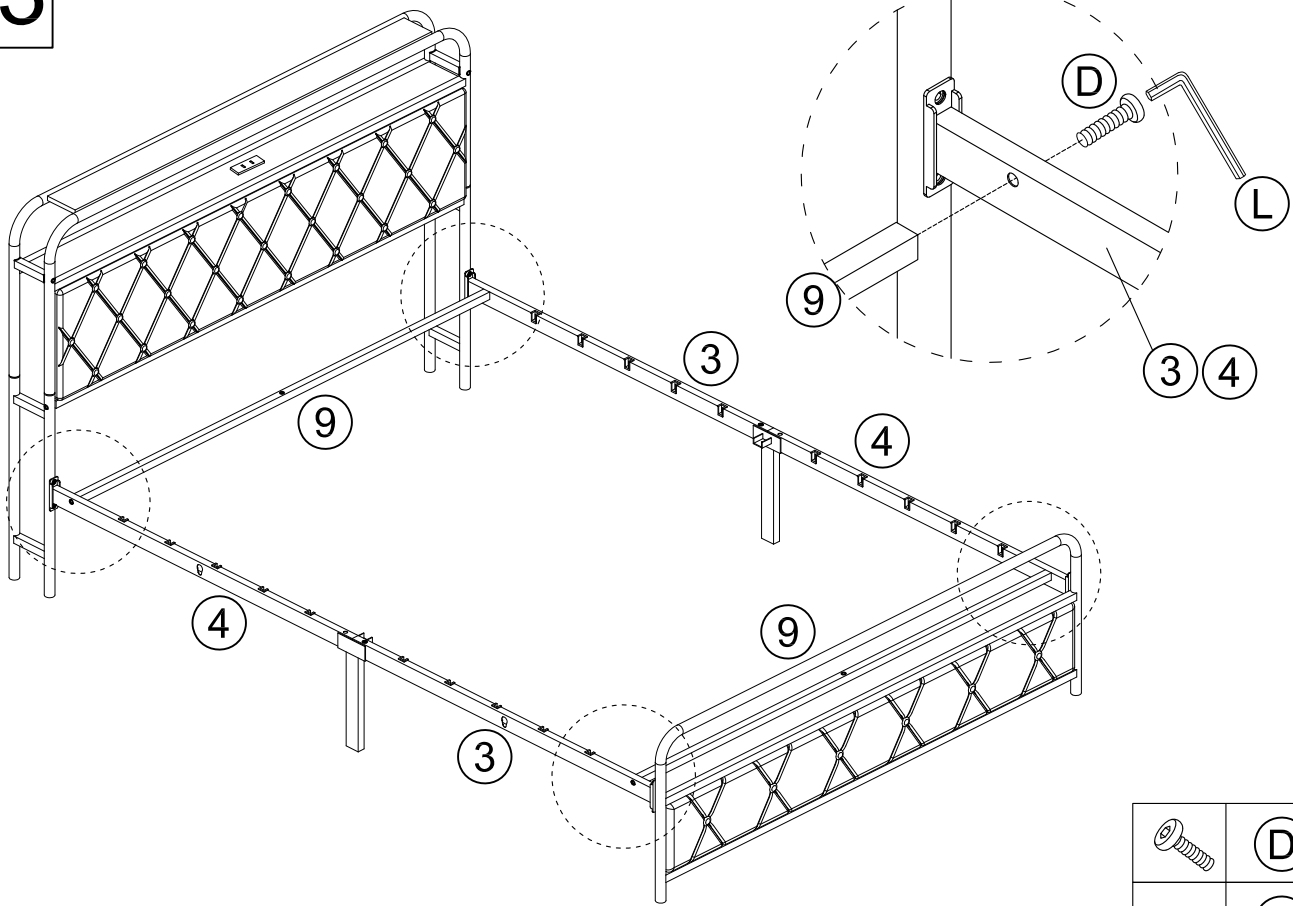
	(F) X8
	(K) X1

12



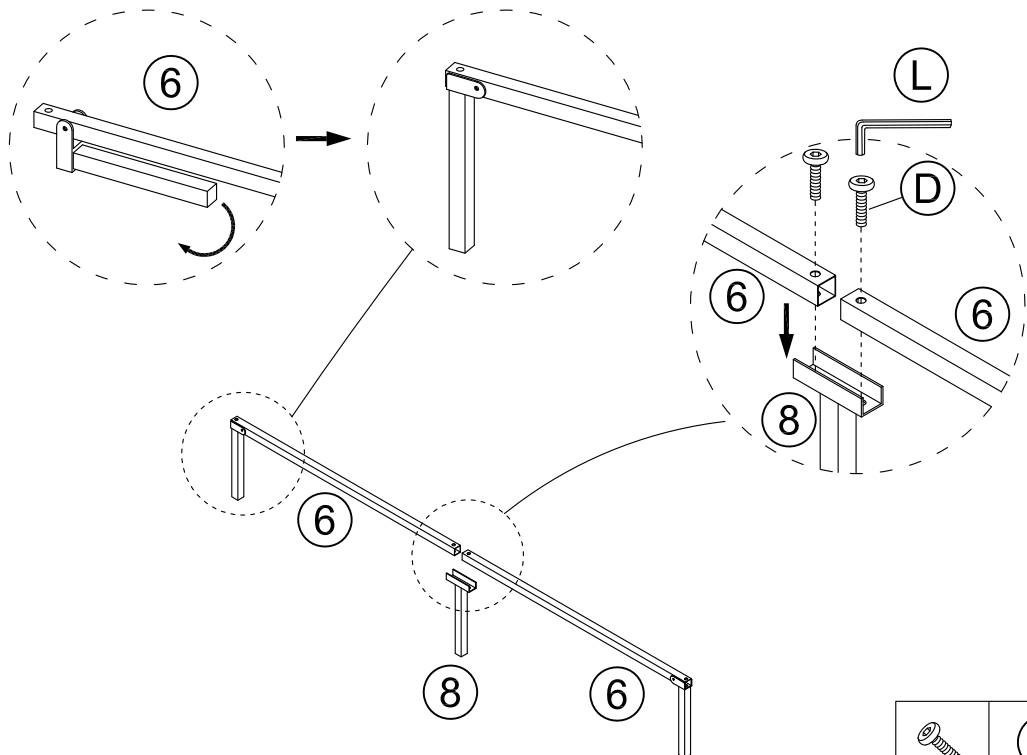
	(E) X4
	(L) X1

# 13



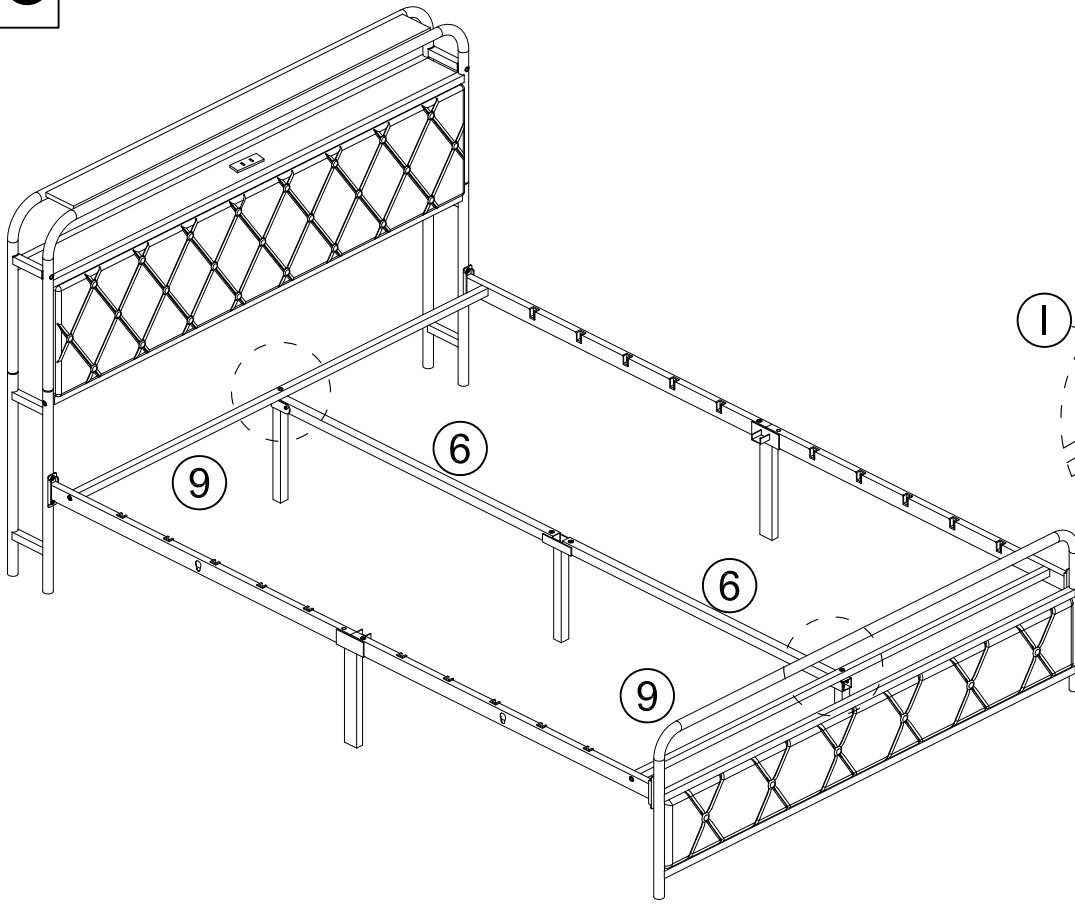
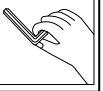
	(D) X4
	(L) X1

# 14



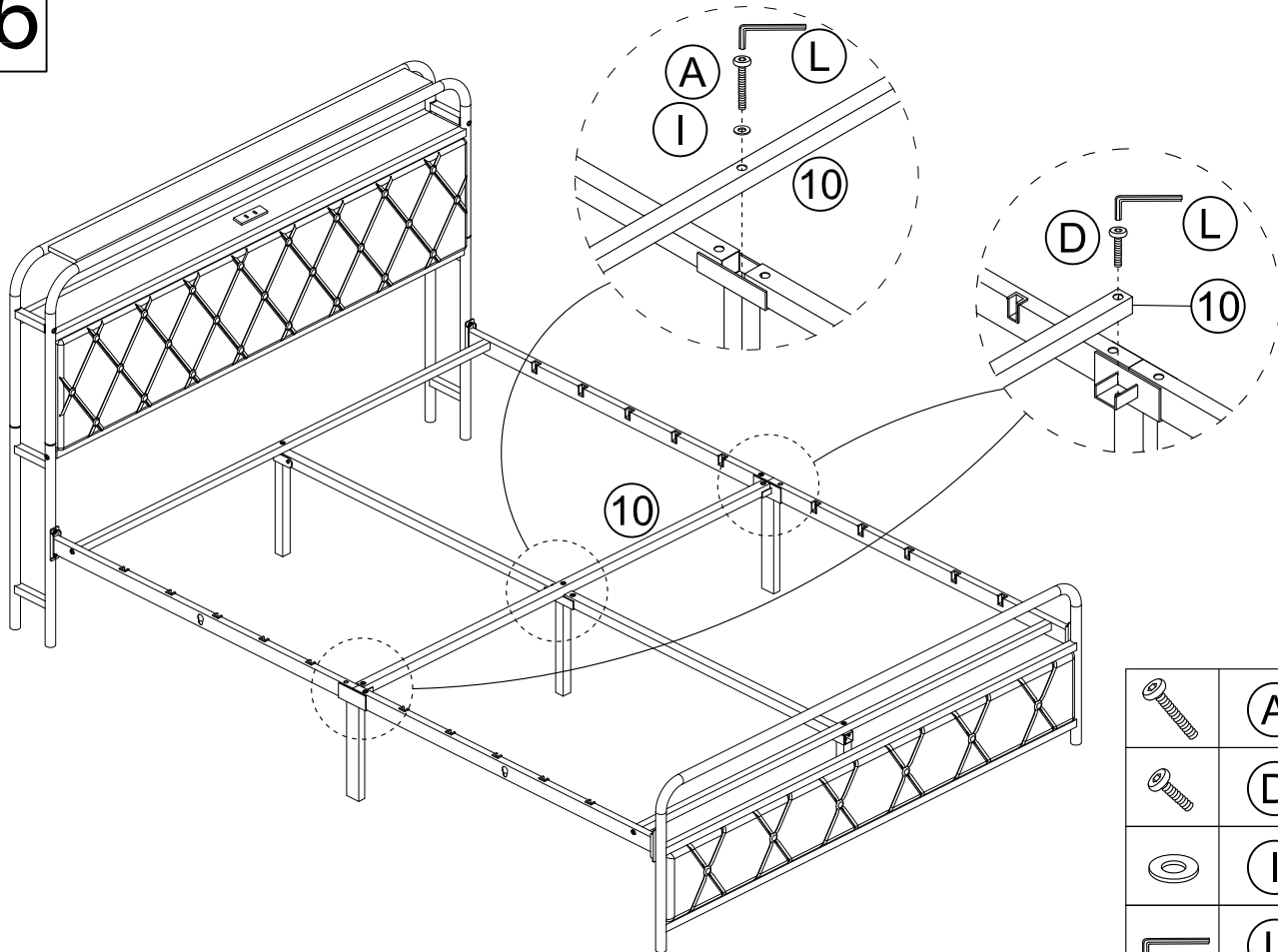
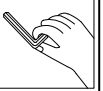
	(D) X2
	(L) X1

15



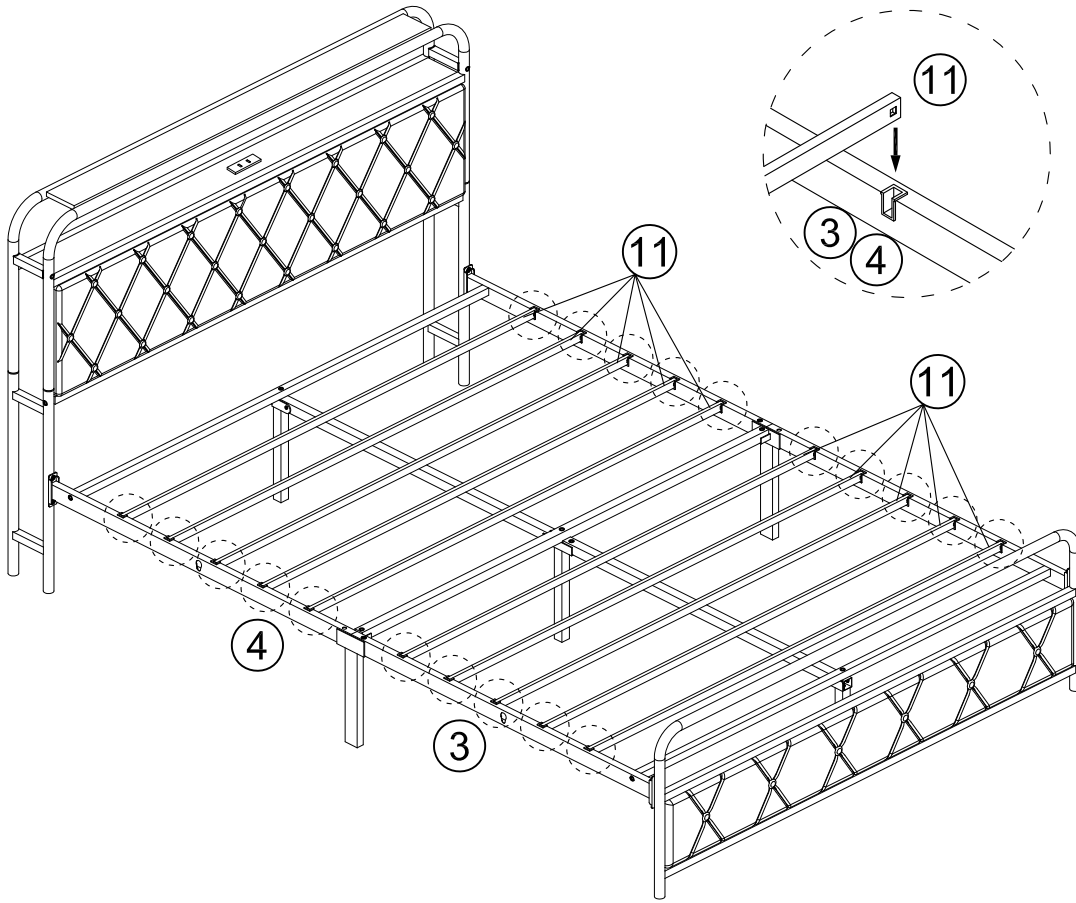
	(A) X2
	(I) X2
	(L) X1

16

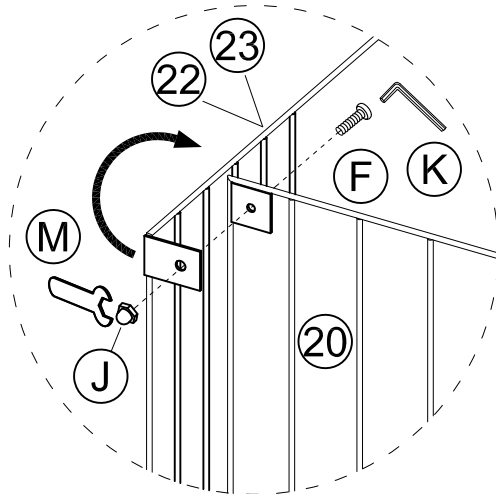
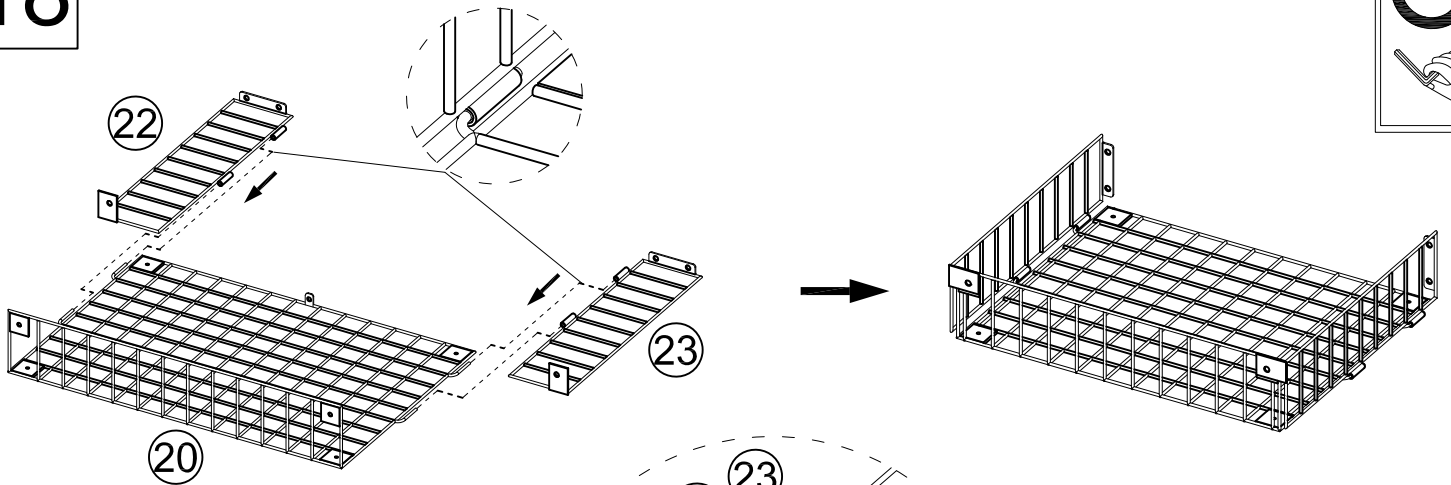


	(A) X1
	(D) X2
	(I) X1
	(L) X1





17



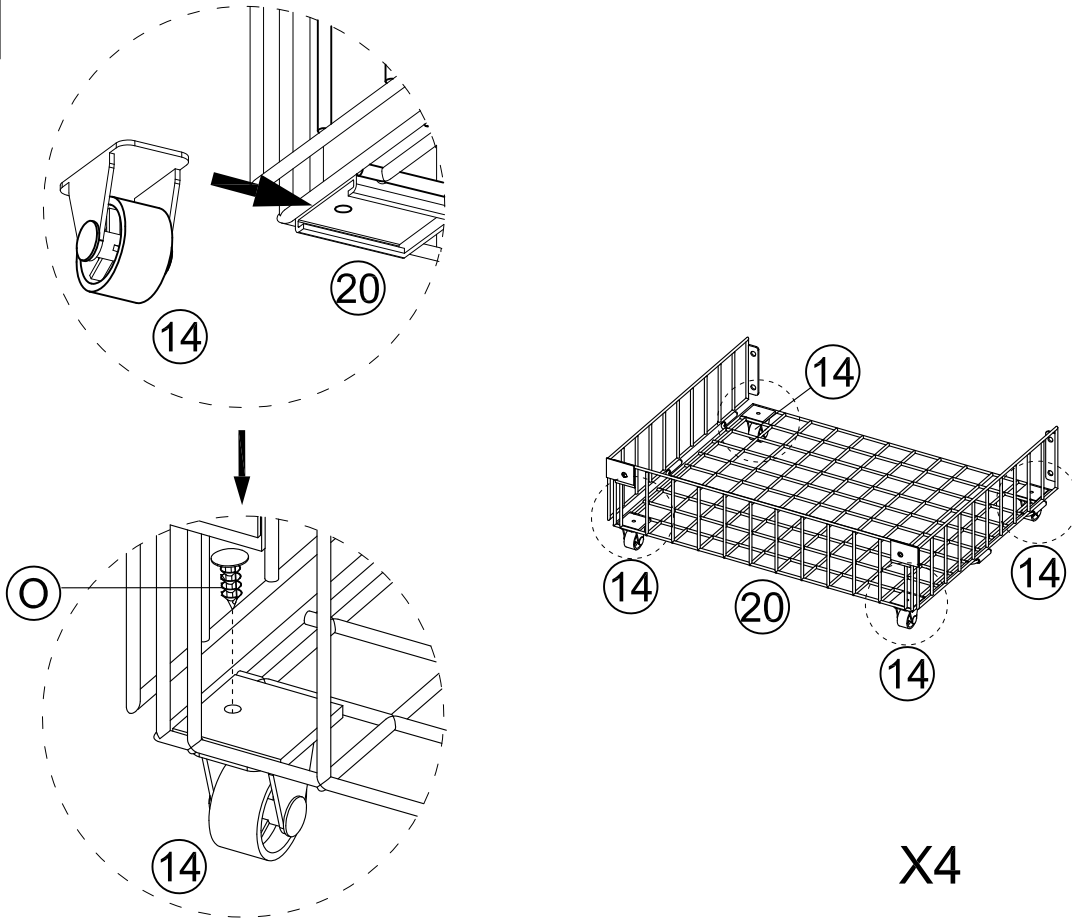
18




X4

	(F) X8
	(J) X8
	(K) X1
	(M) X1

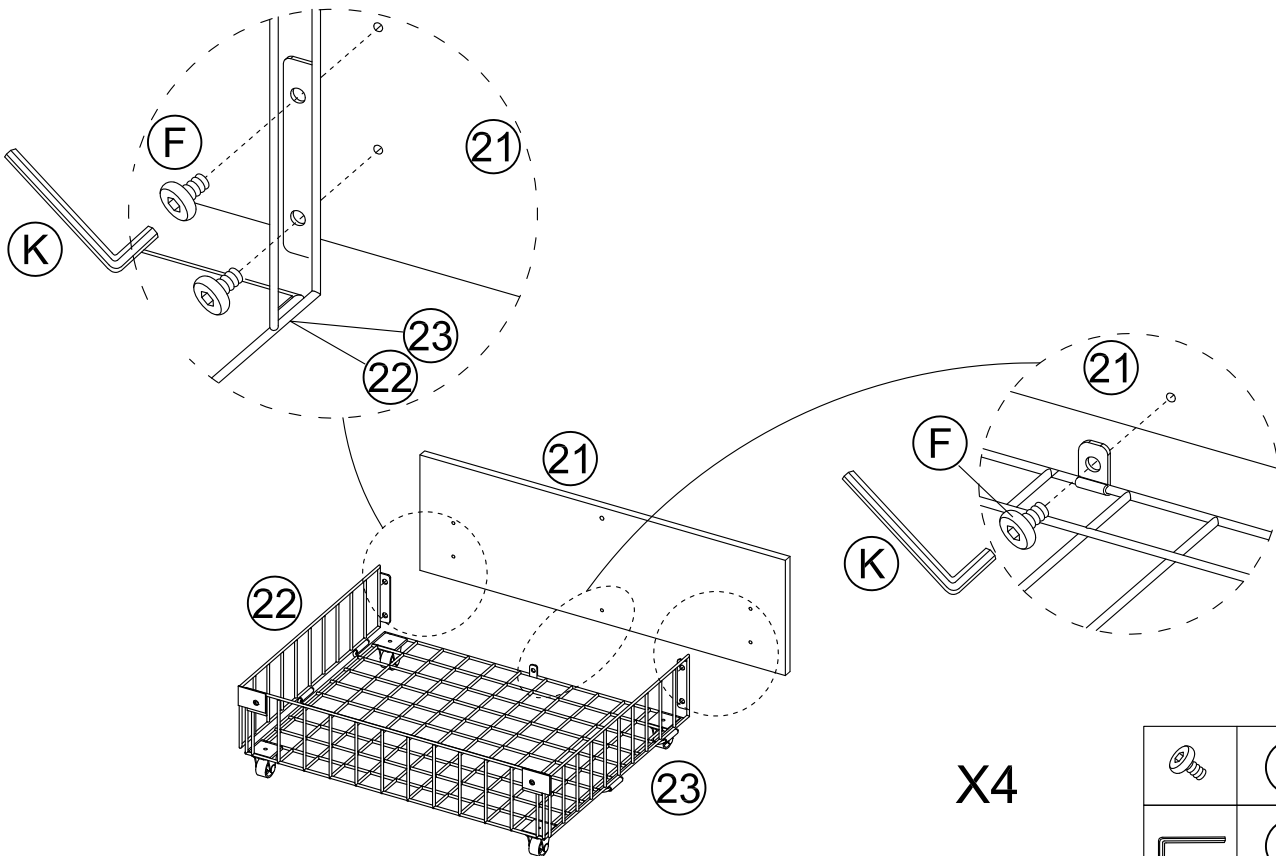
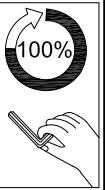
19





X4

	⊙ X16
---	-------

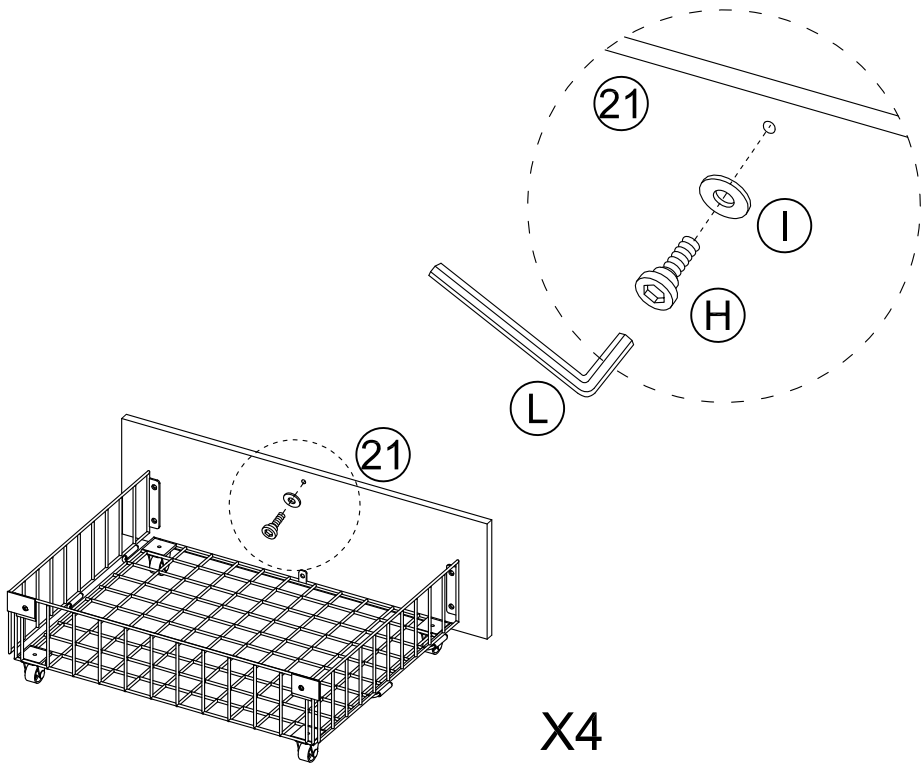
20



X4

	⊙ F X20
	⊙ K X1

21



X4

	(H) X4
	(I) X4
	(L) X1

22

