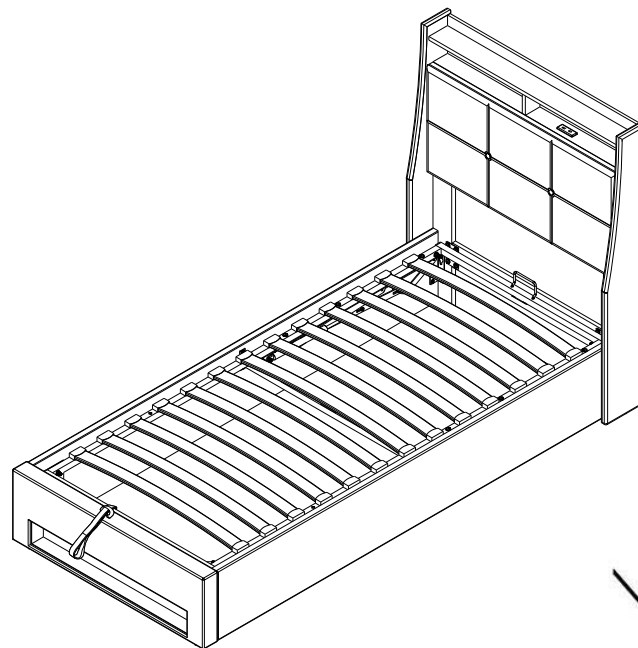


Montageanleitung | Instructions de montage Assembly Instructions | Instrucciones de montaje

SKU NUMBER: WF311223 / WF311224

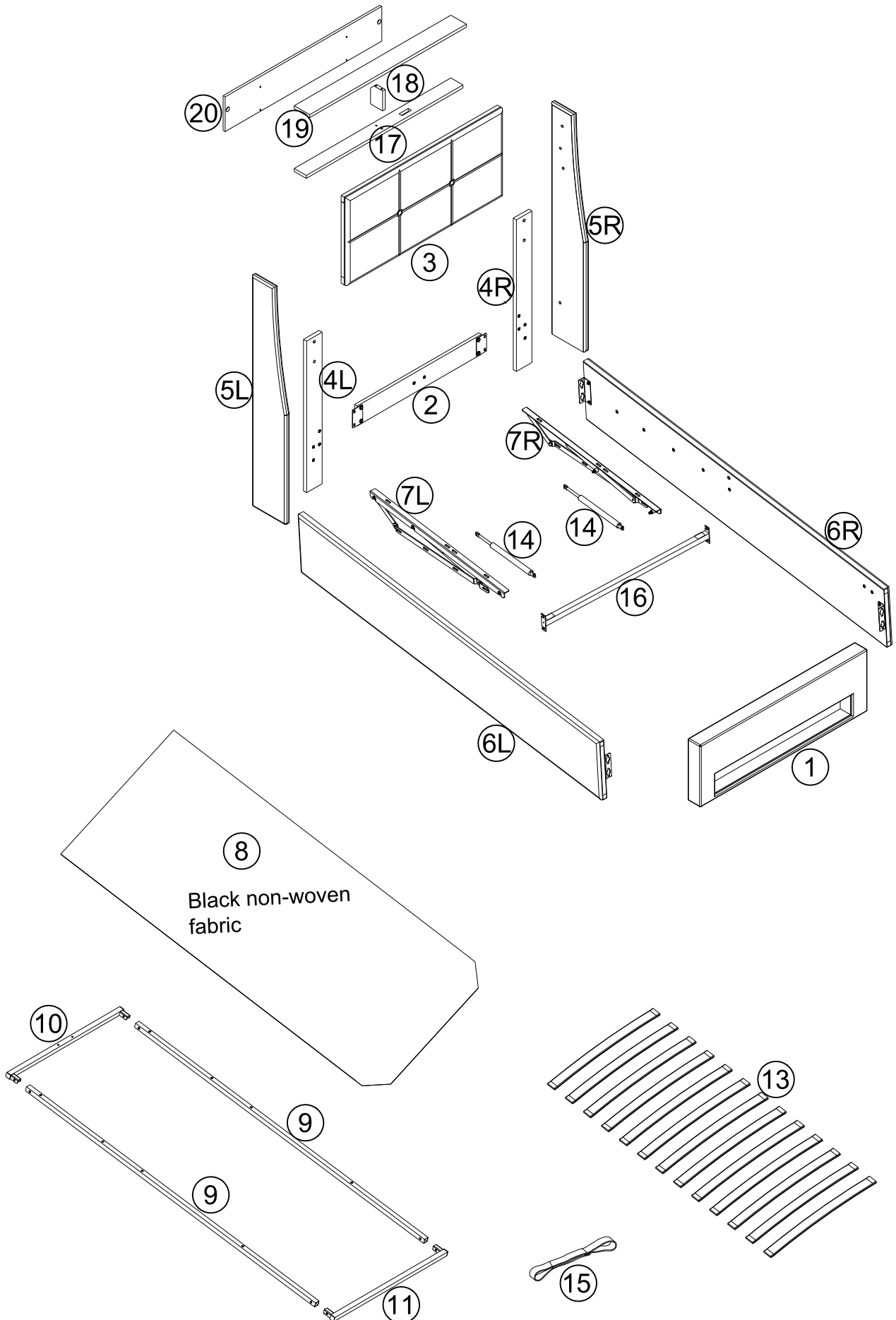


GB This set comes in 2 boxes. If you do not receive a full set of 2 boxes, please contact our customer service.

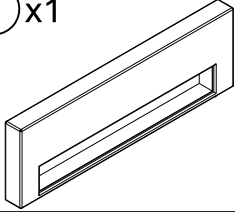
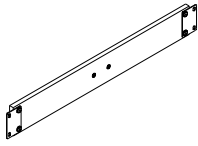
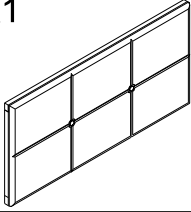
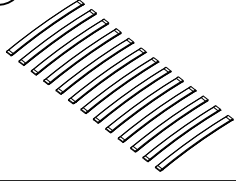
DE Dieses Set wird in 2 Schachteln geliefert. Wenn Sie nicht ein komplettes Set von 2 Boxen erhalten, kontaktieren Sie bitte unseren Kundenservice.

FR Ce set est livré en 2 boîtes. Si vous ne recevez pas un jeu complet de 2 boîtes, veuillez contacter notre service clientèle.





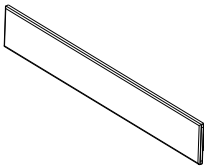
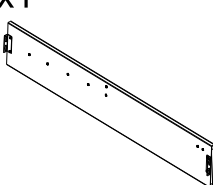
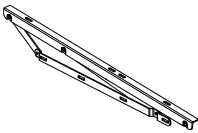
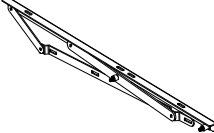
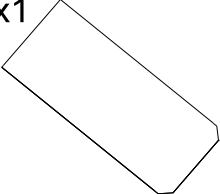
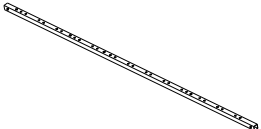
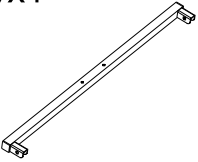
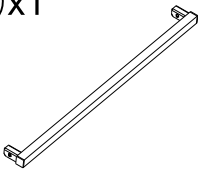
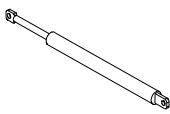
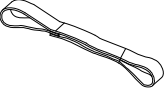
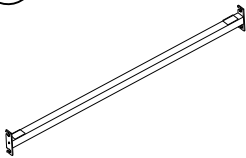
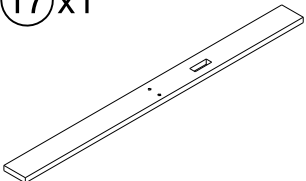
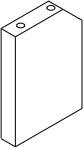
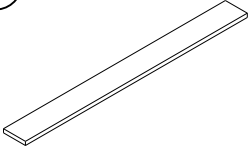
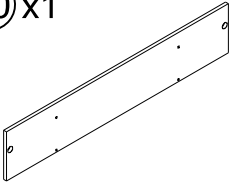
Stückliste



Part List-Stückliste WF311223

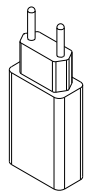
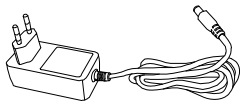
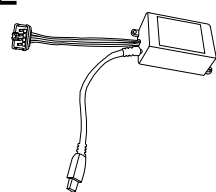
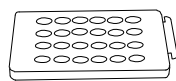
<p>① x1</p> 	<p>② x1</p> 	<p>③ x1</p> 	<p>⑬ x13</p> 
---	---	--	--

Part List-Stückliste WF311224

<p>④L x1</p> 	<p>④R x1</p> 	<p>⑤L x1</p> 	<p>⑤R x1</p> 
<p>⑥L x1</p> 	<p>⑥R x1</p> 	<p>⑦L x1</p> 	<p>⑦R x1</p> 
<p>⑧ x1</p> 	<p>⑨ x2</p> 	<p>⑩ x1</p> 	<p>⑪ x1</p> 
<p>⑭ x2</p> 	<p>⑮ x1</p> 	<p>⑯ x1</p> 	<p>⑰ x1</p> 
<p>⑱ x1</p> 	<p>⑲ x1</p> 	<p>⑳ x1</p> 	

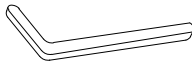

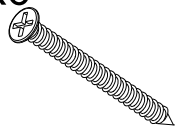
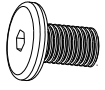
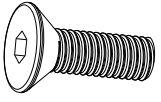
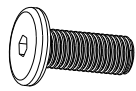
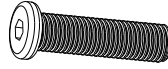
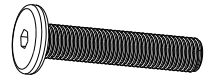
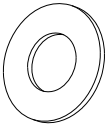
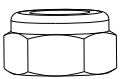
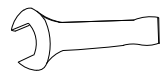

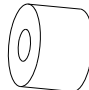
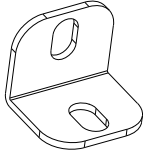
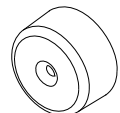
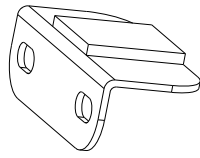
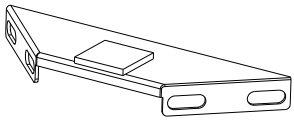
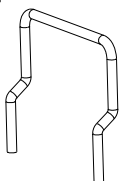
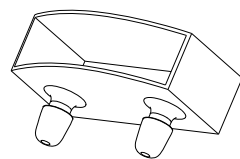
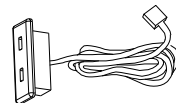

Hardware List- Hardware-Liste

WF311223

<p>W x1</p> 	<p>X x1</p> 	<p>Y x2</p> 	
---	---	--	---

Hardware List- Hardware-Liste

WF311224

<p>A x1</p> 	<p>B x2</p>  <p>4.0x40mm</p>	<p>C x6</p>  <p>5.0x50mm</p>	<p>E x6</p>  <p>M8x12mm</p>
<p>F x4</p>  <p>M8x18mm</p>	<p>G x38</p>  <p>M8x20mm</p>	<p>H x8</p>  <p>M8x30mm</p>	<p>I x14</p>  <p>M8x40mm</p>
<p>J x8</p> 	<p>K x14</p>  <p>M8</p>	<p>L x1</p> 	<p>M x2</p> 
<p>N x8</p> 	<p>O x10</p> 	<p>P x2</p> 	<p>Q x2</p> 
<p>R x2</p> 	<p>S x1</p> 	<p>T x26</p> 	<p>V x1</p> 
<p>Z x1</p> 			

English

IMPORTANT FOR GAS LIFT BEDS&MAINTAINANCE

- Please place the mattress on top of the bed frame.
- Please do not pull on the strap handles.
- Please press heavily to release the compressed gas.
- Periodically check all screw & fixings to ensure they are secure.
- When moving your product, carefully lift into place.
- Wipe clean with a slightly damp cloth- please do not use abrasive chemicals or bleach.
- Do NOT allow children to operate the lift mechanism.
- Do NOT allow children near the lift base when operating the mechanism.
- Do NOT stand inside the bed or the internal storage base.
- Do NOT overload the internal storage base.
- DO NOT jump on the product or any of its parts.

Deutsch

WICHTIG FÜR GASLIFT-BETTEN&WARTUNG

- Bitte legen Sie die Matratze oben auf den Bettrahmen.
- Bitte ziehen Sie nicht an den Gurtgriffen.
- Bitte drücken Sie kräftig, um das komprimierte Gas freizusetzen.
- Überprüfen Sie regelmäßig alle Schrauben und Befestigungen, um sicherzustellen, dass sie sicher sind.
- Wenn Sie Ihr Produkt bewegen, heben Sie es vorsichtig an seinen Platz.
- Mit einem leicht feuchten Tuch abwischen - bitte keine scheuernden Chemikalien oder Bleichmittel verwenden.
- Erlauben Sie Kindern NICHT, den Hebemechanismus zu bedienen.
- Lassen Sie Kinder NICHT in die Nähe des Liftsockels, wenn Sie den Mechanismus bedienen.
- Stellen Sie sich NICHT in das Bett oder in die Innenablage.
- Überlasten Sie den internen Liftsockel NICHT.
- Springen Sie NICHT auf das Produkt oder eines seiner Teile.

Français

IMPORTANT POUR LES LITS À RELEVAGE DE GAZ&MAINTENANCE

- Veuillez placer le matelas sur le dessus du cadre de lit.
- Ne tirez pas sur les poignées de la sangle.
- Appuyez fortement pour libérer le gaz comprimé.
- Vérifiez régulièrement que toutes les vis et fixations sont bien en place.
- Lorsque vous déplacez votre produit, soulevez-le avec précaution pour le mettre en place.
- Nettoyez avec un chiffon légèrement humide - n'utilisez pas de produits chimiques abrasifs ou d'eau de Javel.
- Ne laissez pas les enfants utiliser le mécanisme de levage.
- Ne laissez pas les enfants s'approcher de la base de levage lorsqu'ils actionnent le mécanisme.
- Ne vous tenez PAS à l'intérieur du lit ou de la base de stockage interne.
- Ne surchargez pas la base de stockage interne.
- Ne pas sauter sur le produit ou l'une de ses parties.

Italiano

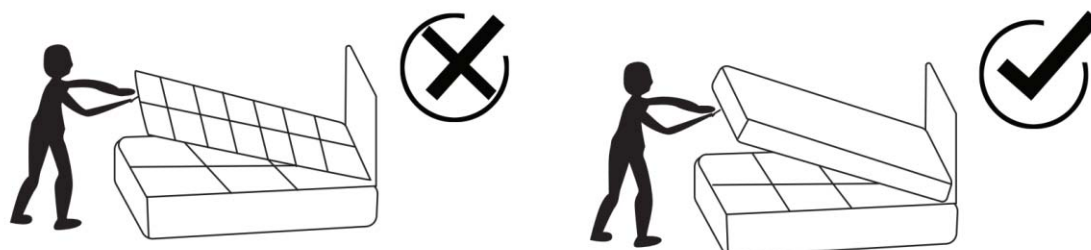
IMPORTANTE PER I LETTI CON SOLLEVAMENTO A GAS E LA MANUTENZIONE

- Posizionare il materasso sopra la struttura del letto.
- Non tirare le maniglie della cinghia.
- Premere con forza per rilasciare il gas compresso.
- Controllare periodicamente tutte le viti e i fissaggi per assicurarsi che siano saldi.
- Quando si sposta il prodotto, sollevarlo con cautela.
- Pulire con un panno leggermente umido, senza usare prodotti chimici abrasivi o candeggina.
- NON permettere ai bambini di azionare il meccanismo di sollevamento.
- NON permettere ai bambini di avvicinarsi alla base di sollevamento quando si aziona il meccanismo.
- NON sostare all'interno del letto o della base di contenimento interna.
- NON sovraccaricare la base di contenimento interna.
- NON saltare sul prodotto o sulle sue parti.

Español

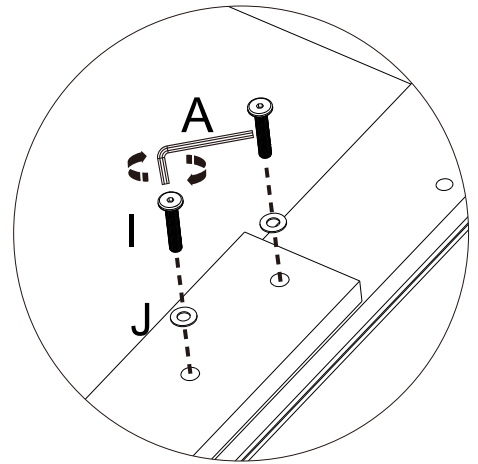
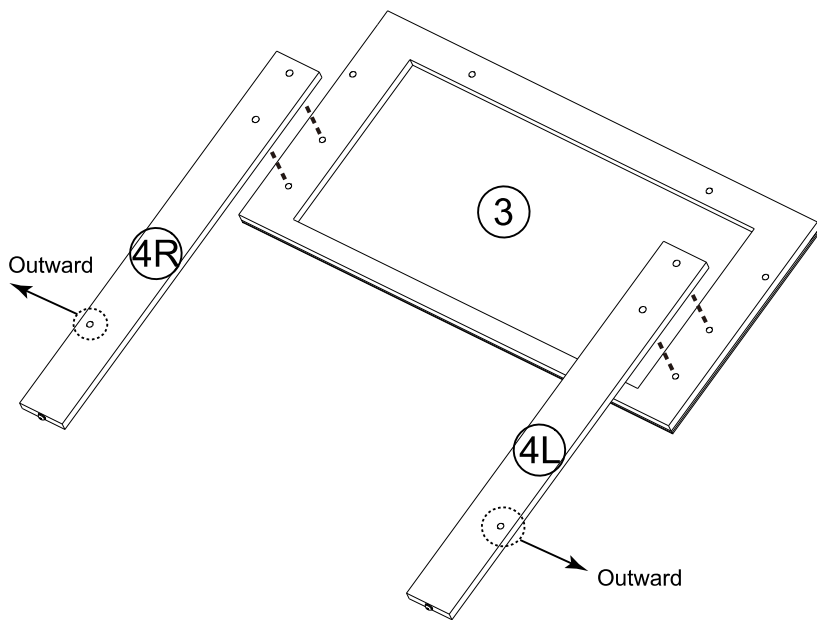
IMPORTANTE PARA LAS CAMAS ELEVADORAS DE GAS&MANTENIMIENTO

- Coloque el colchón sobre el somier.
- No tire de las asas de la correa.
- Presione con fuerza para liberar el gas comprimido.
- Compruebe periódicamente que todos los tornillos y fijaciones estén bien sujetos.
- Al mover el producto, levántelo con cuidado para colocarlo en su sitio.
- Limpie con un paño ligeramente humedecido; no utilice productos químicos abrasivos ni lejía.
- NO permita que los niños accionen el mecanismo de elevación.
- NO permita que los niños se acerquen a la base elevadora cuando accionen el mecanismo.
- NO se ponga de pie dentro de la cama o de la base de almacenamiento interna.
- NO sobrecargue el somier.
- NO salte sobre el producto ni sobre ninguna de sus piezas.



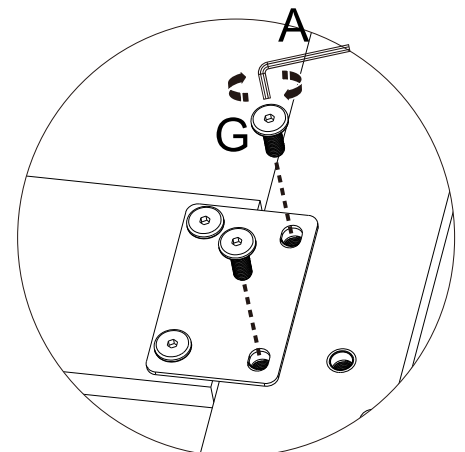
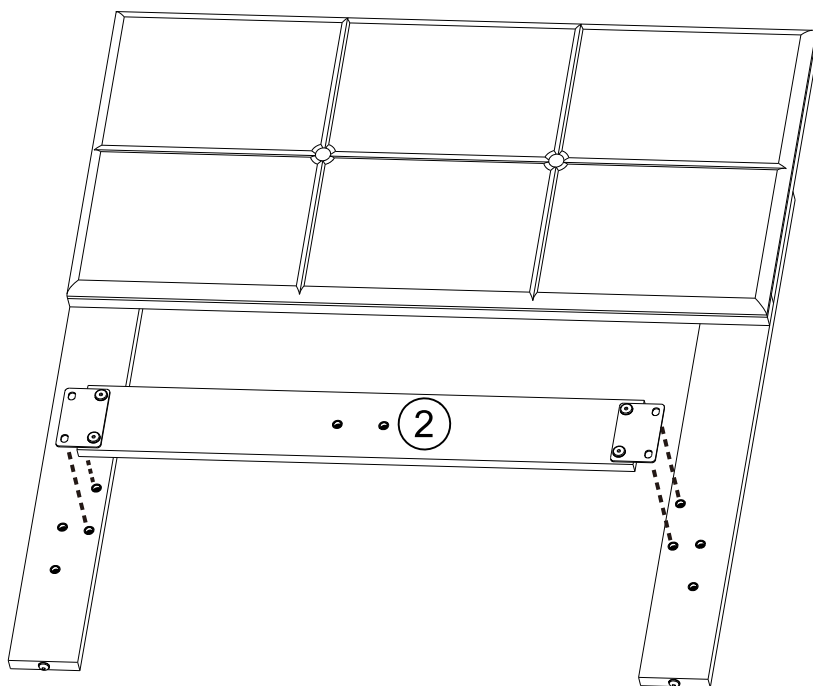
1

A x 1 	I x 4 M8 x 40mm 	J x 4 	
--	---	--	--








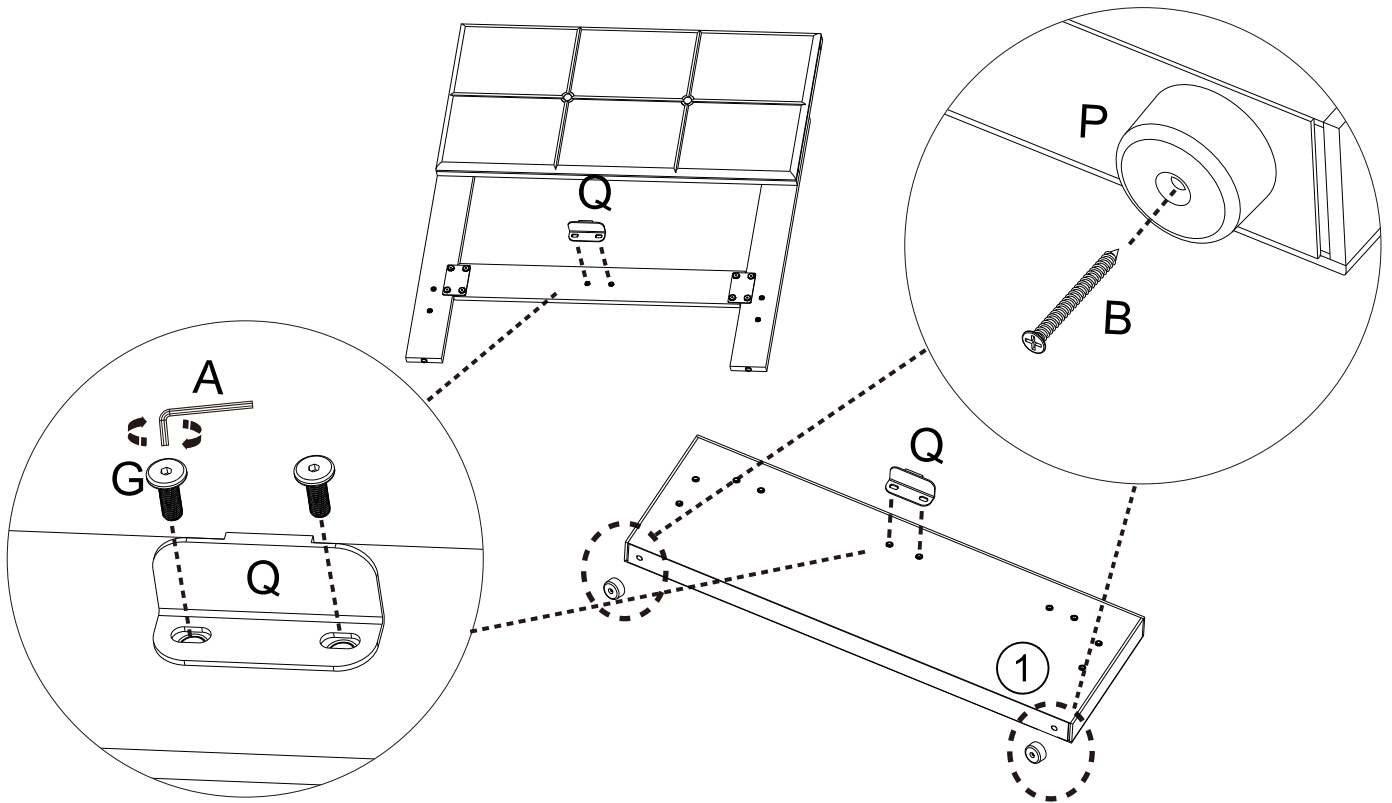
2

A x 1 	G x 4 M8 x 20mm 		
--	---	--	--



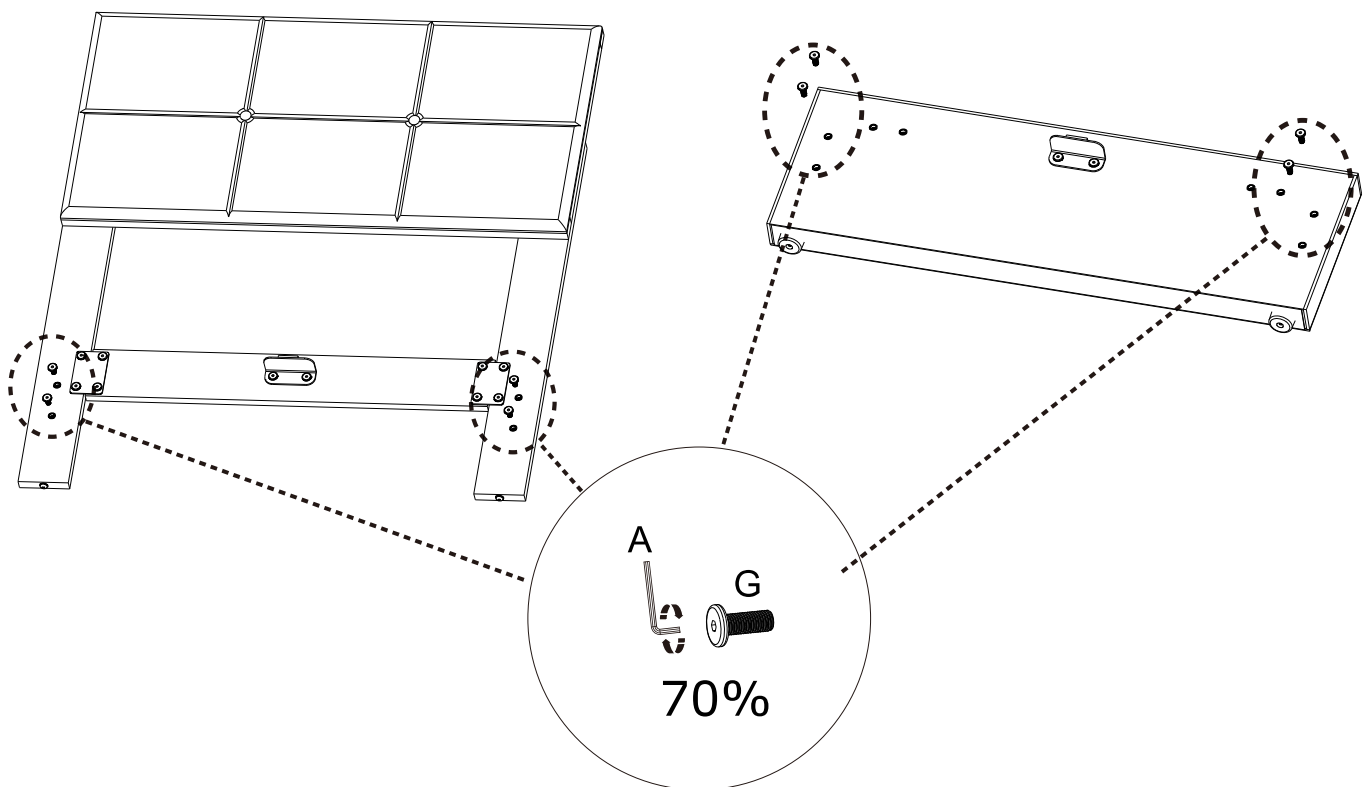
3

A x 1 	B x 2 4.0x40mm 	G x 4 M8 x 20mm 	P x 2 	Q x 2 	
--	--	---	--	--	--



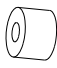


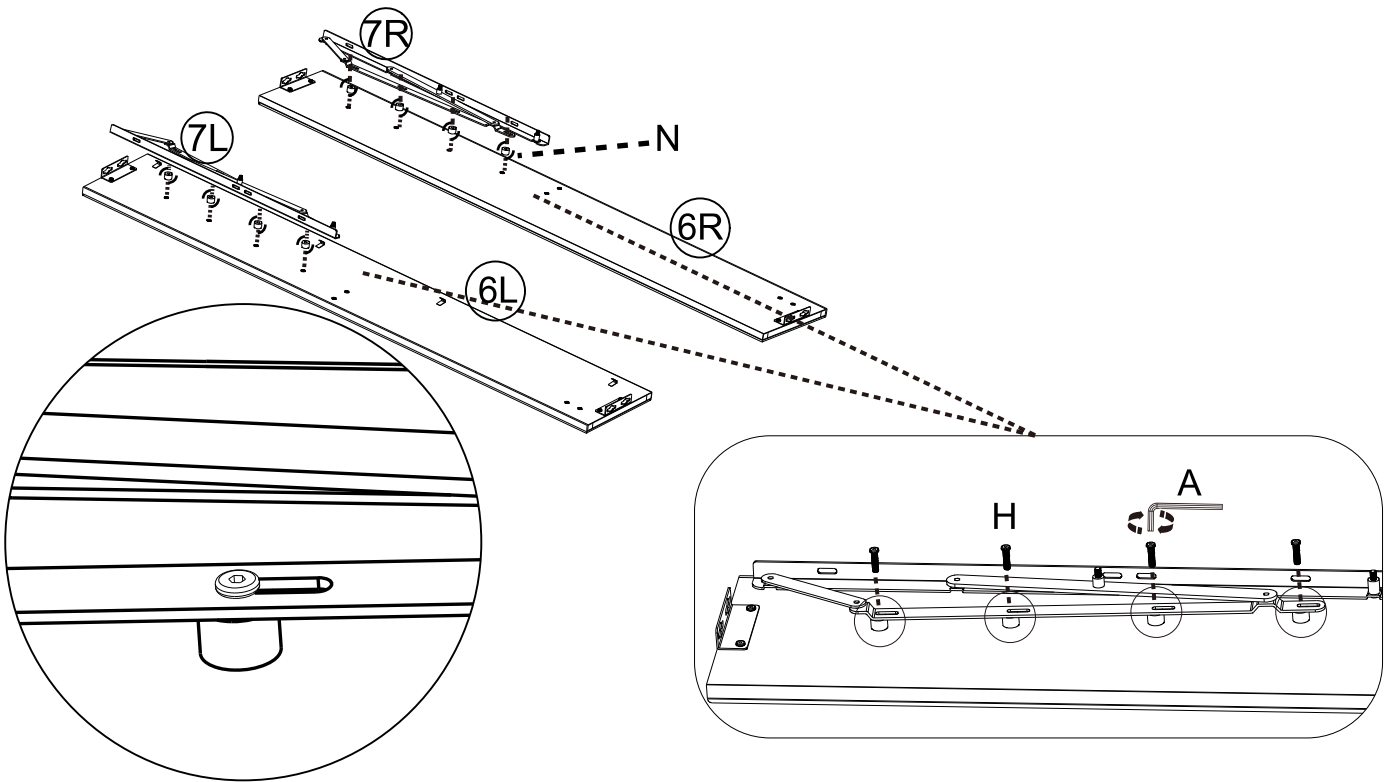
4

A x 1 	G x 8 M8 x 20mm 	
--	---	--




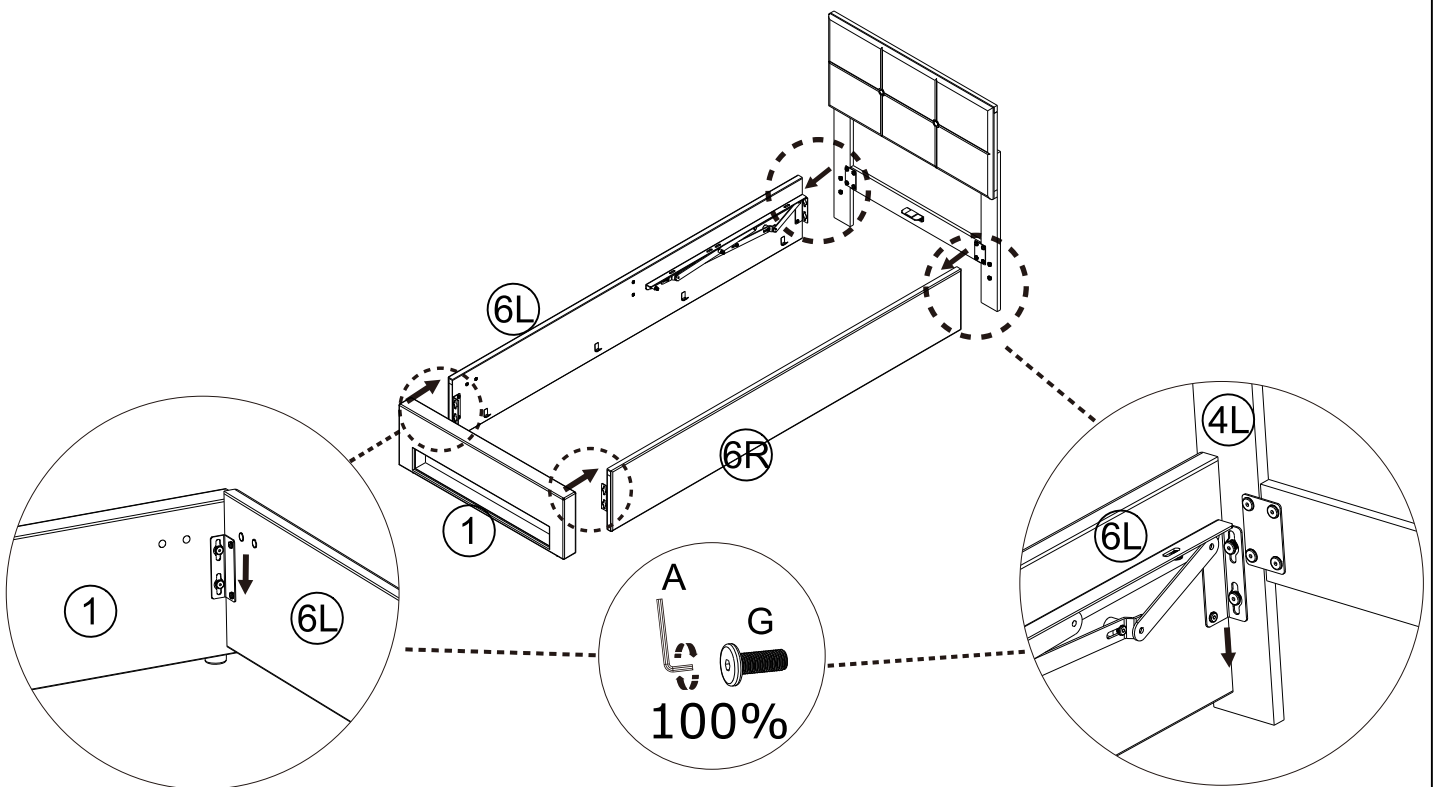
5

A x 1 	H x 8 M8 x 30mm 	N x 8 	
--	---	--	--



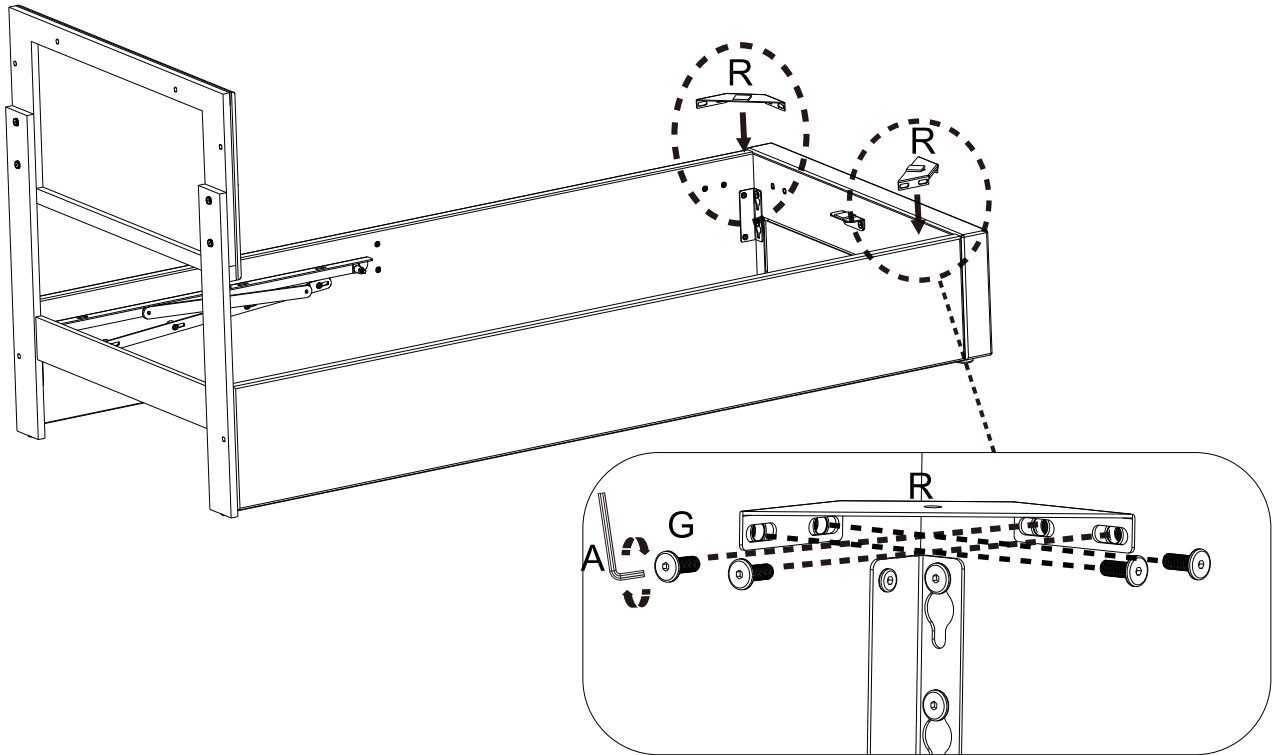
6

A x 1 	
--	--



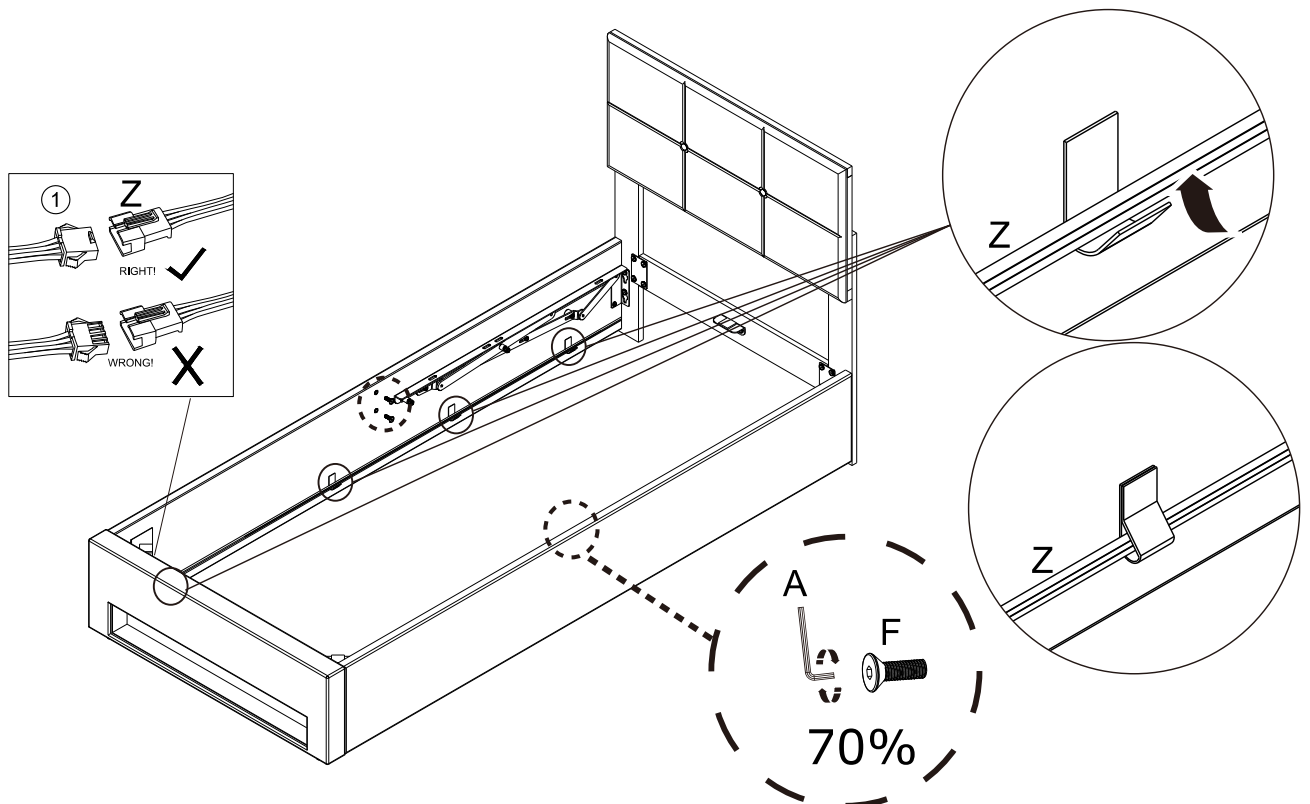
7

A x 1	G x 8 M8 x 20mm	R x 2	
-------	--------------------	-------	--

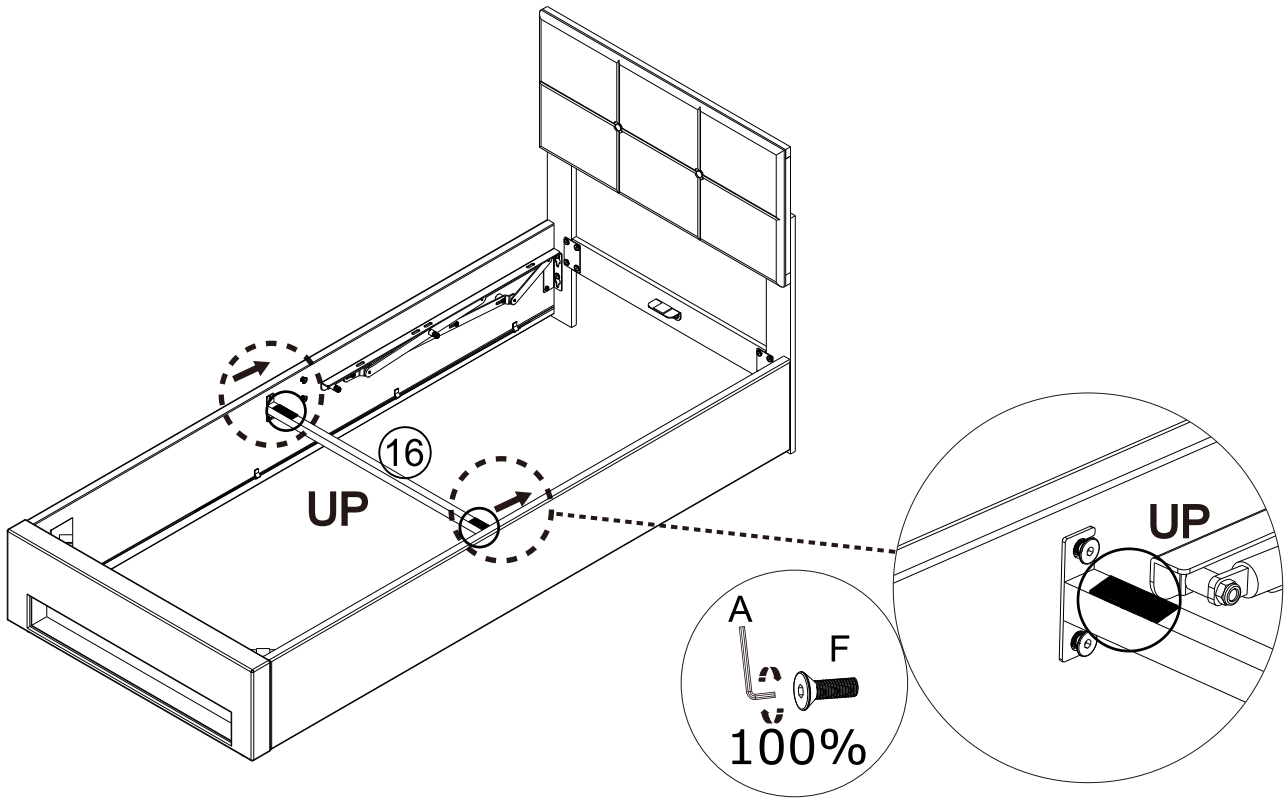
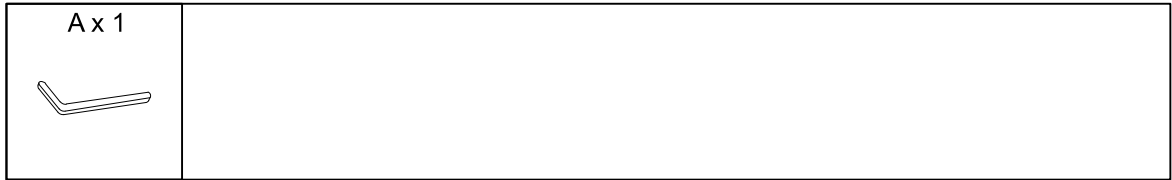


8

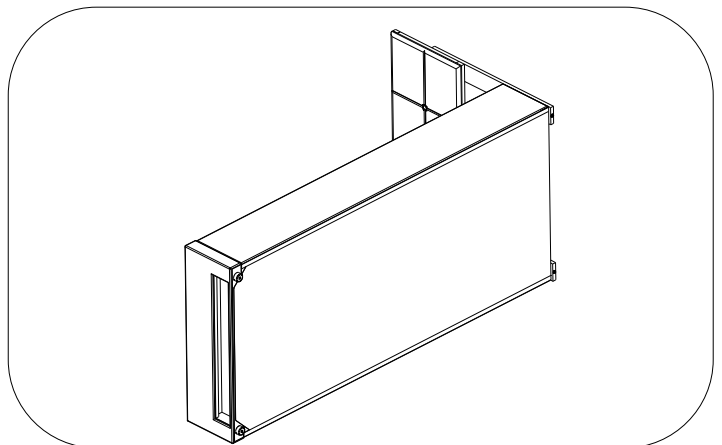
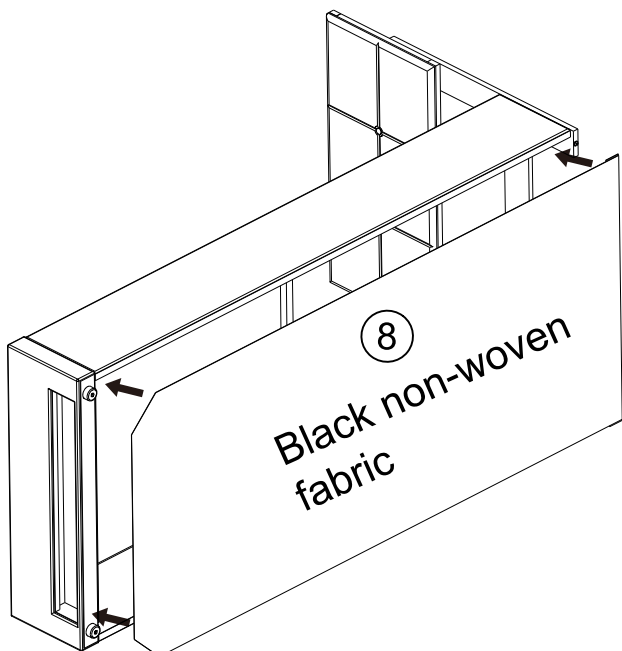
A x 1	F x 4 M8 x 18mm	Z x 1	
-------	--------------------	-------	--



9



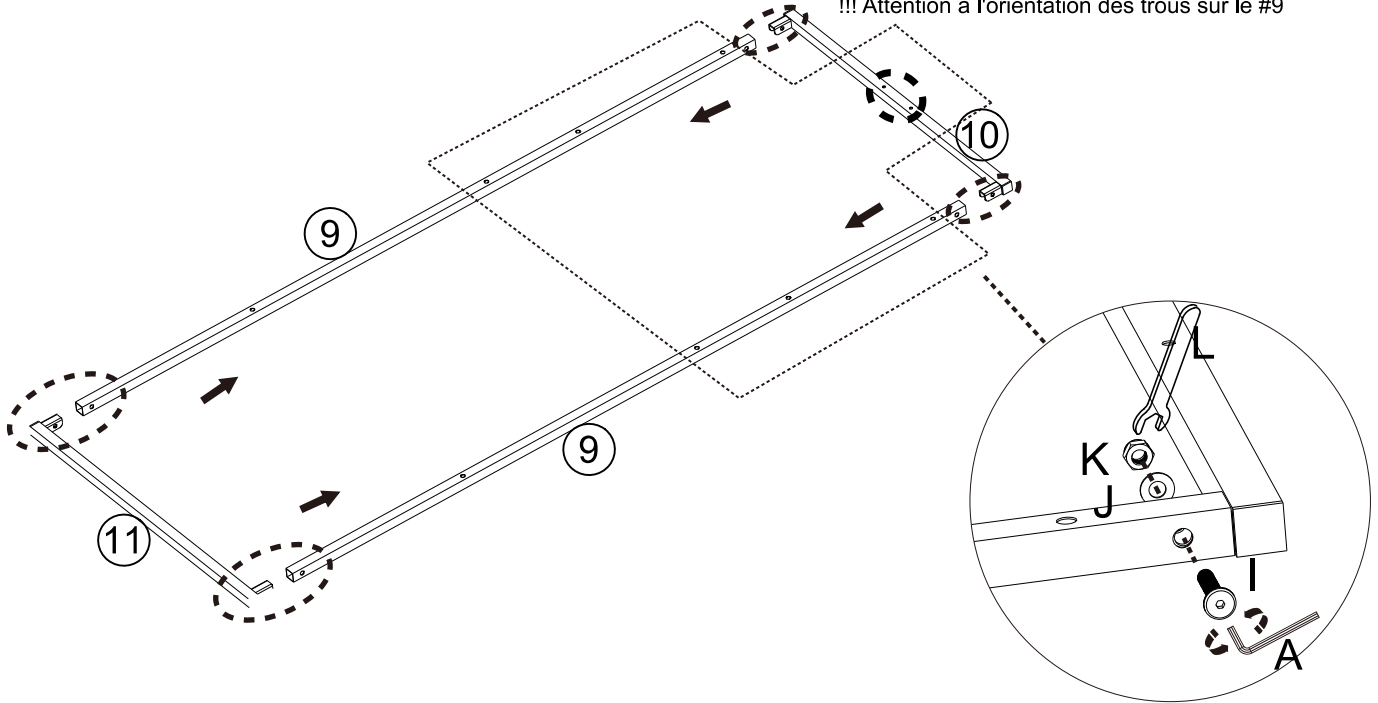
10



11

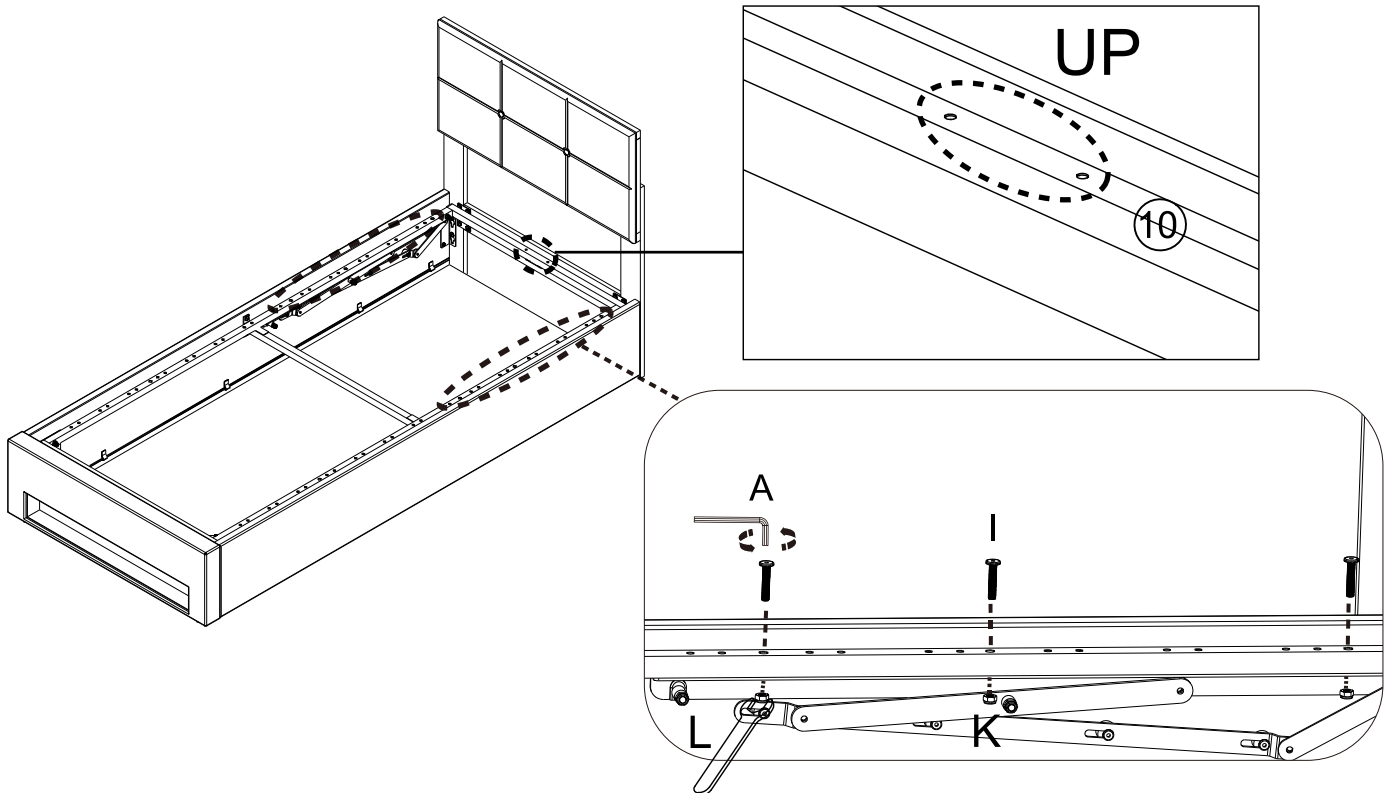
A x 1	I x 4 M8 x 40mm	J x 4	K x 4 M8	L x 1	
-------	--------------------	-------	-------------	-------	--

!!! Please aware the orientation of the holes on #9
 !!!Bitte beachten Sie die Ausrichtung der Löcher auf #9
 !!! Attention à l'orientation des trous sur le #9



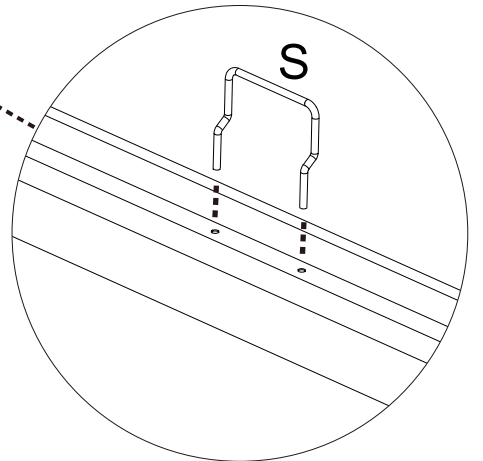
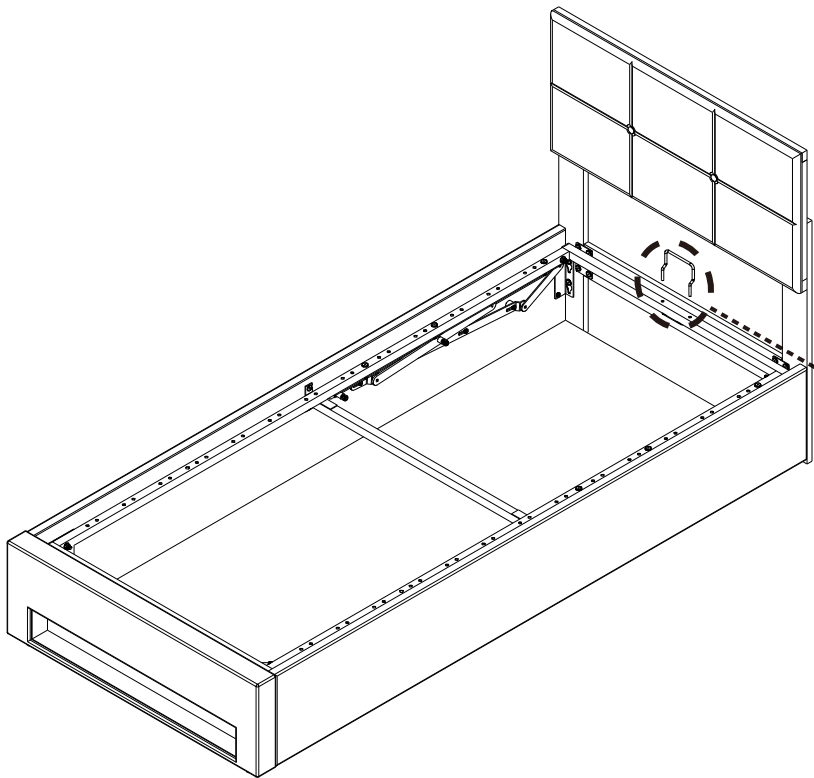
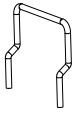
12

A x 1	I x 6 M8 x 40mm	K x 6 M8	L x 1		
-------	--------------------	-------------	-------	--	--



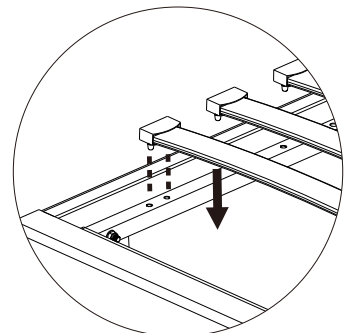
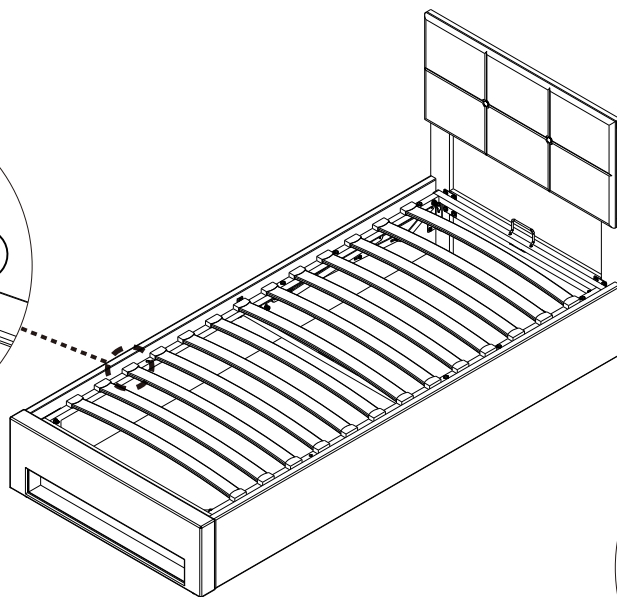
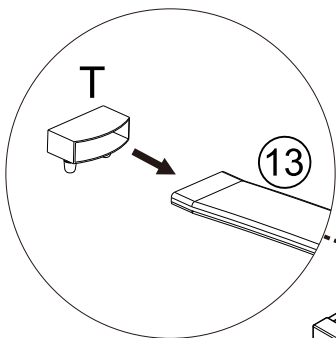
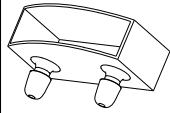
13

S x 1





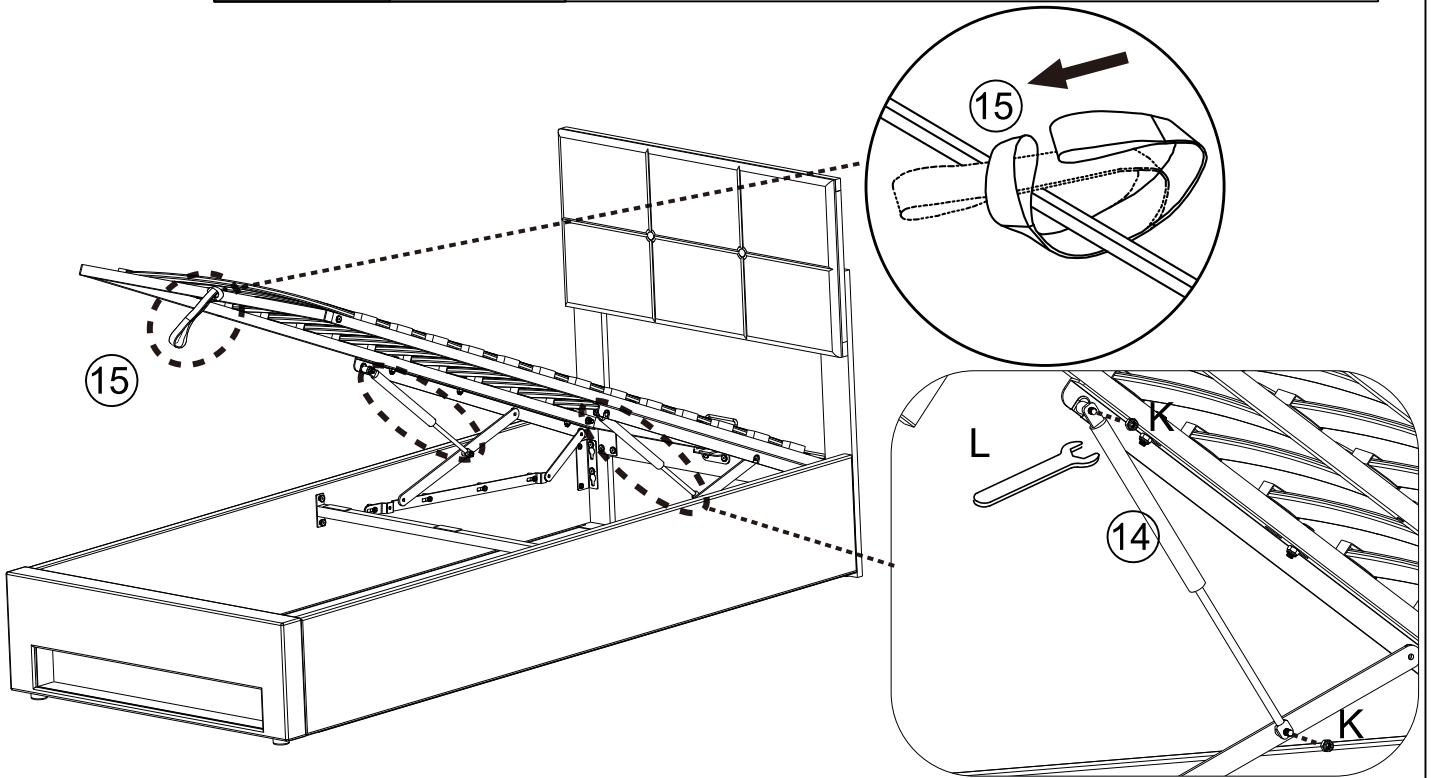
14

T x 26






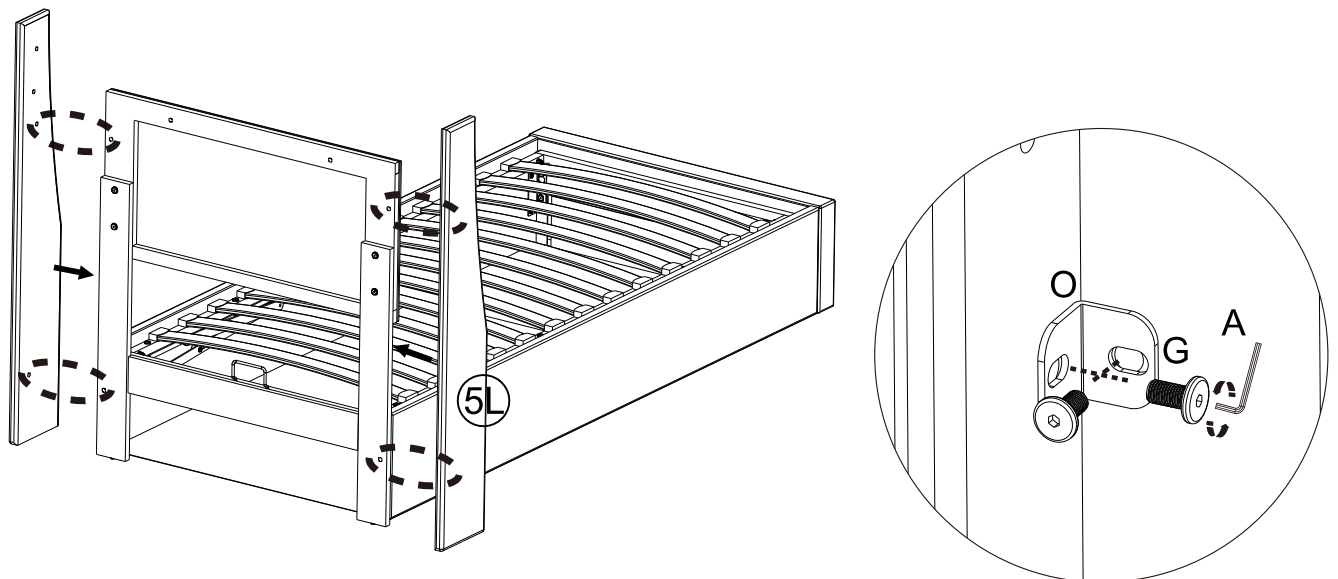
15

K x 4	L x 1	
		
M8		







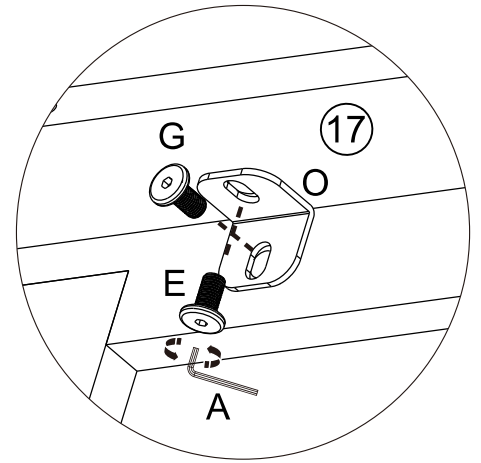
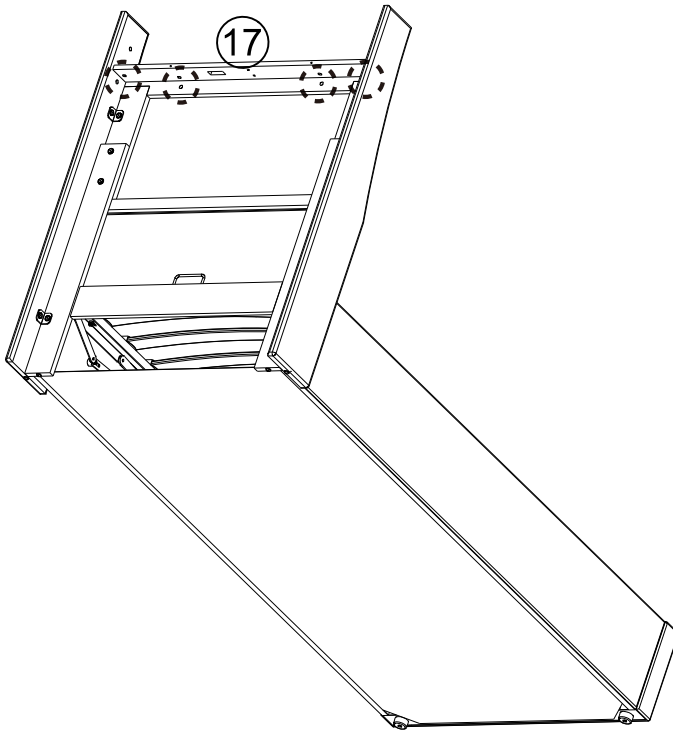
16

A x 1	G x 8	O x 4	
			
	M8 x 20mm		



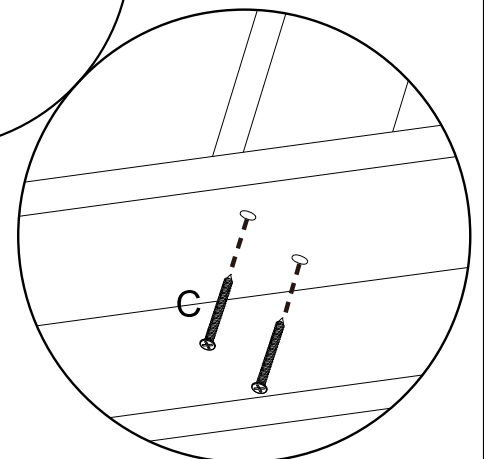
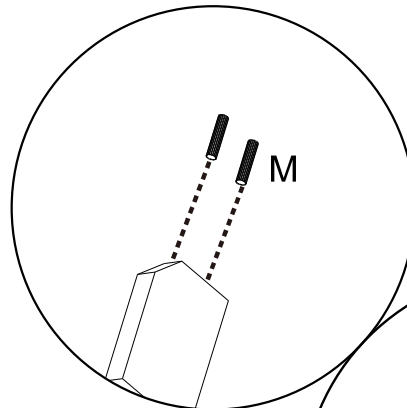
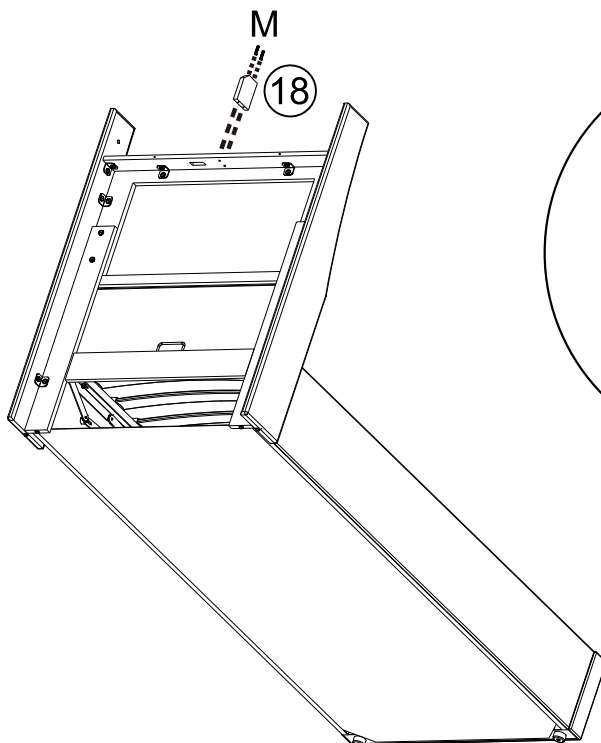
17

A x 1 	E x 4 M8 x 12mm 	G x 4 M8 x 20mm 	O x 4 
--	---	---	--







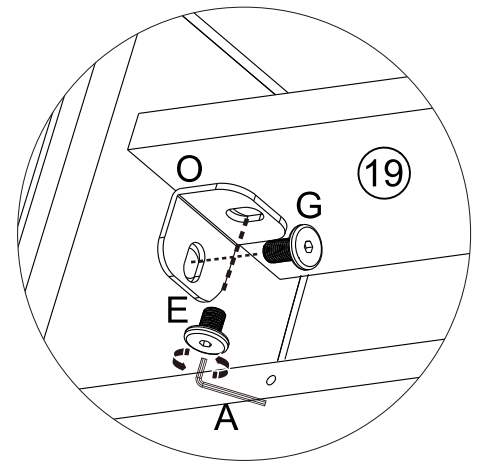
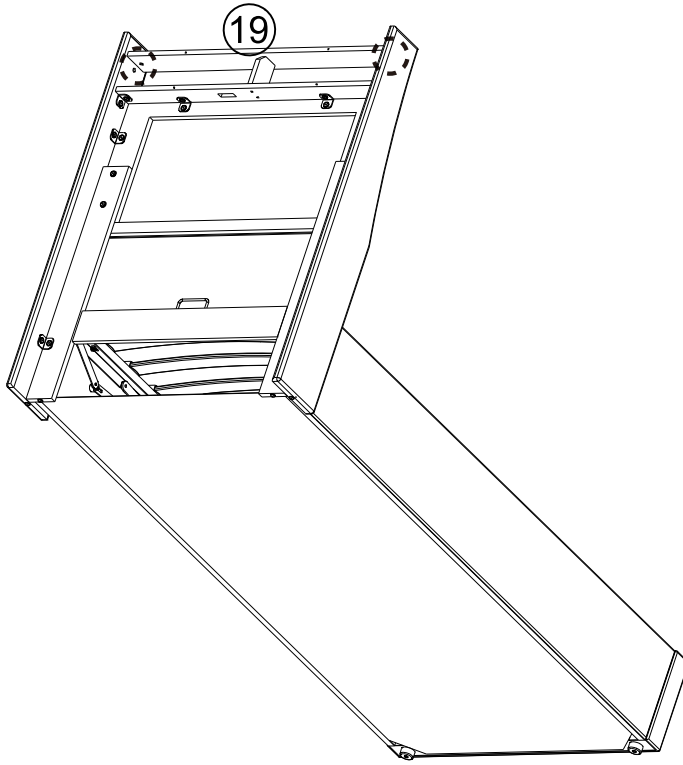
18

C x 2  5.0 x 50mm	M x 2 
--	--



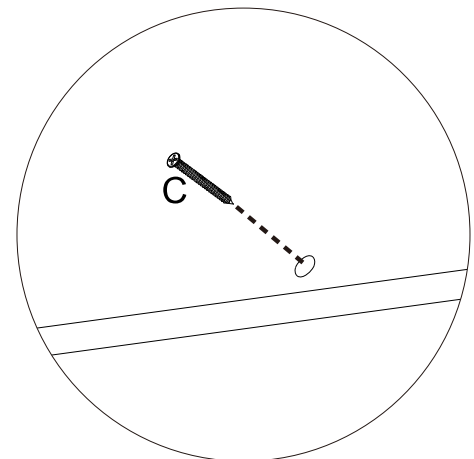
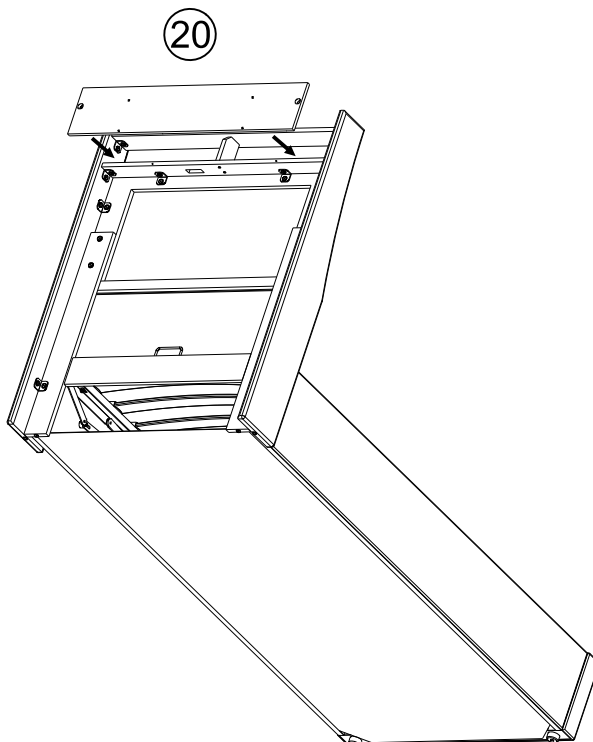
19

A x 1 	E x 2 M8 x 12mm 	G x 2 M8 x 20mm 	O x 2 	
--	---	---	--	--

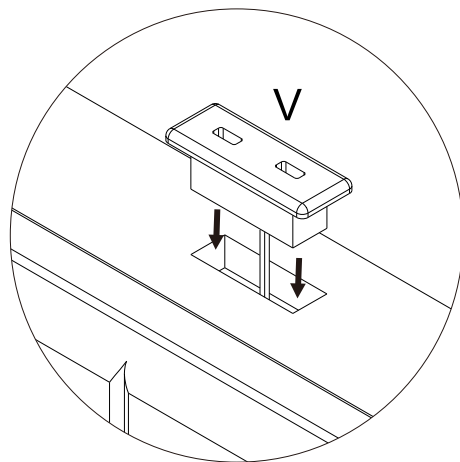
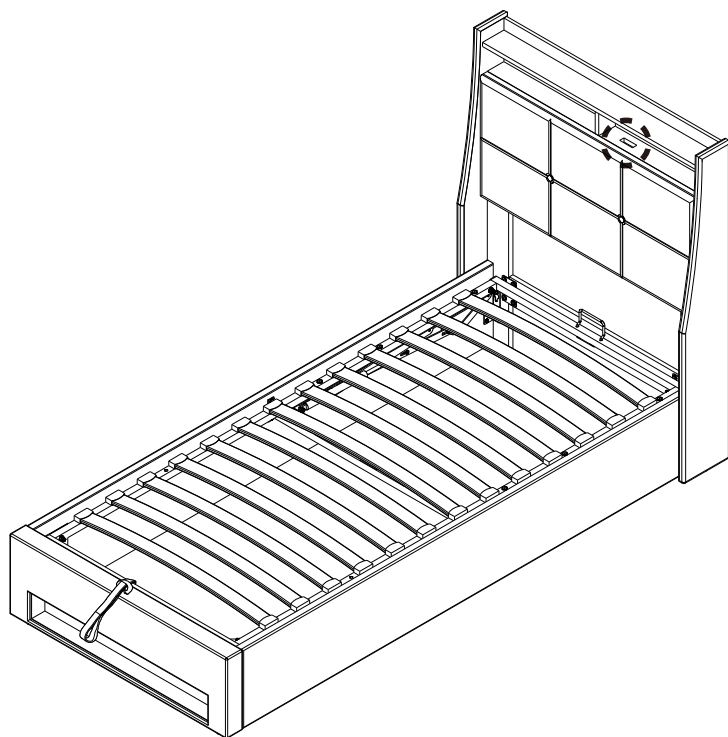


20

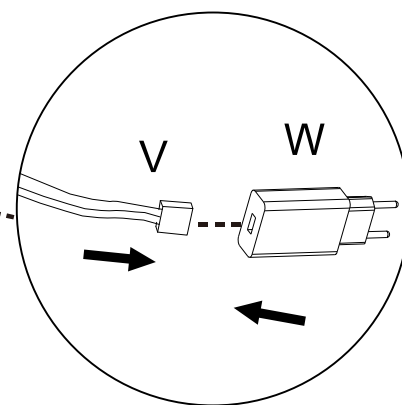
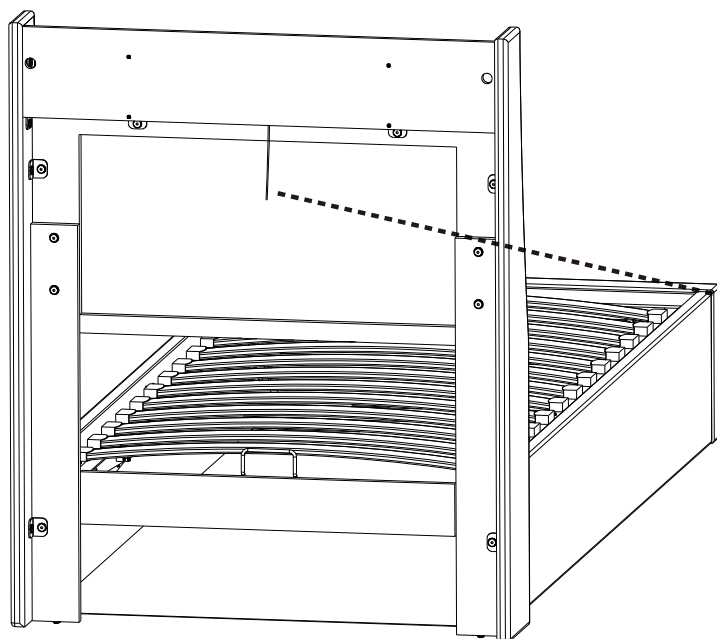
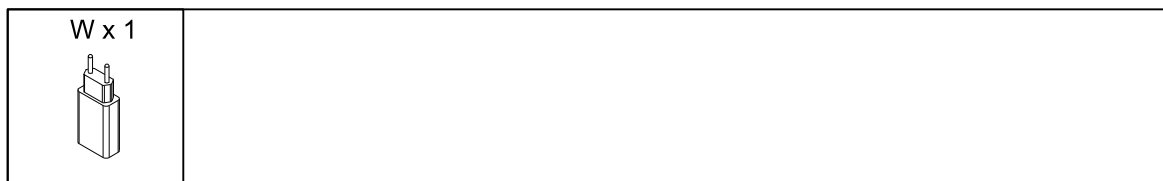
C x 4  5.0x50mm	
--	--



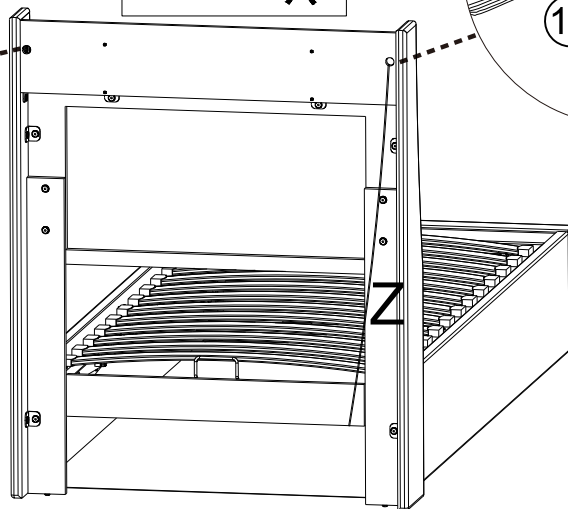
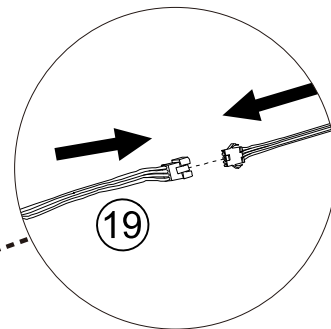
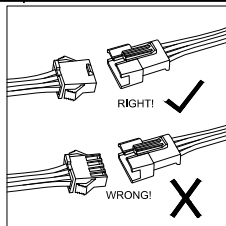
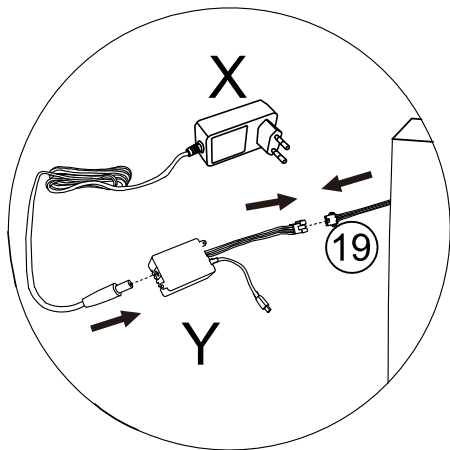
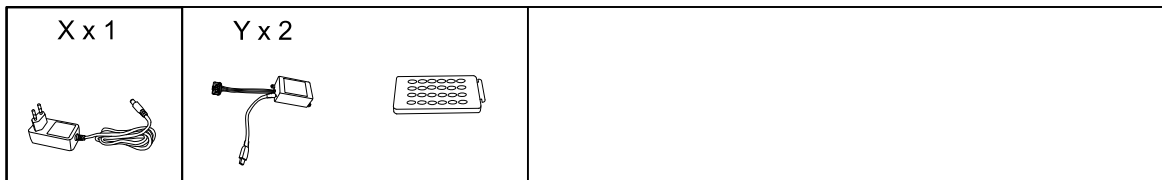
21



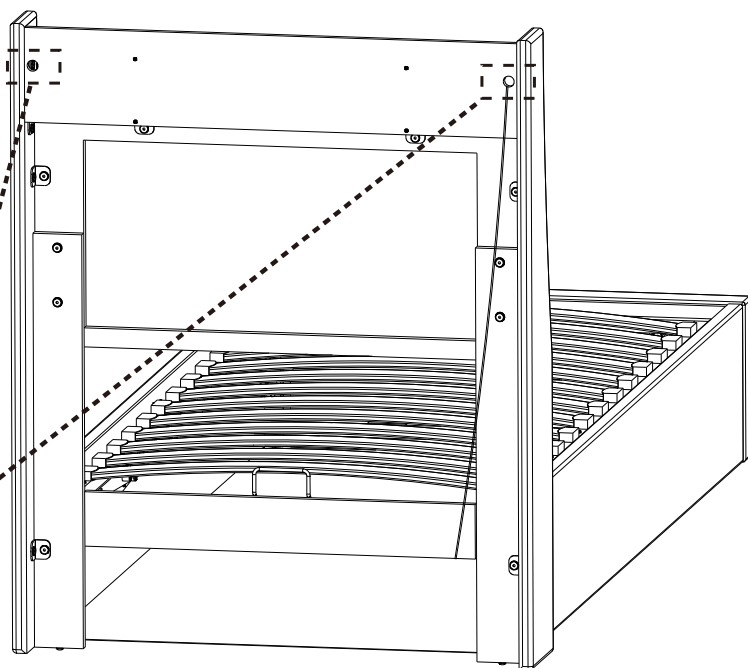
22



23



24

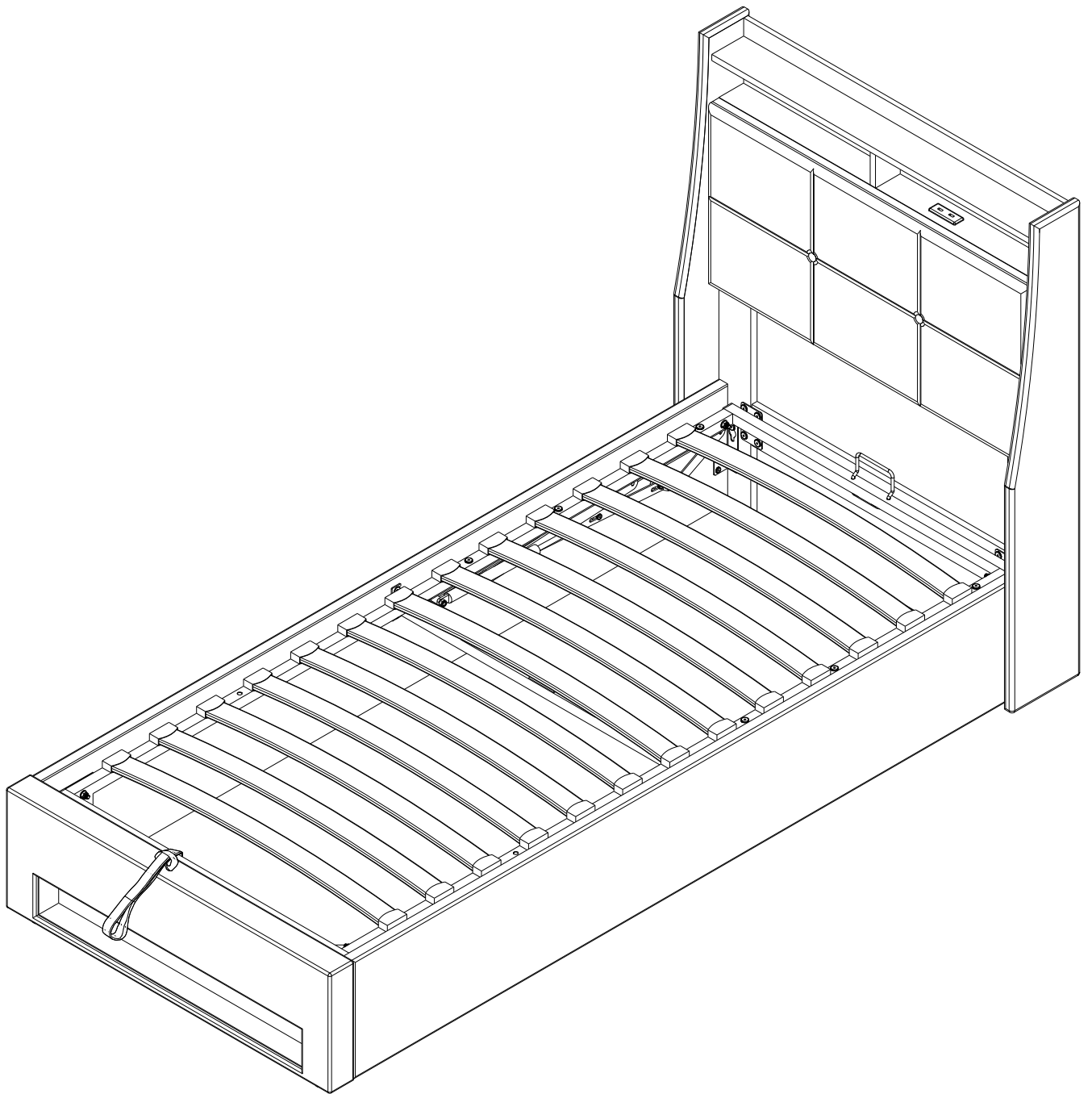


Hinweis: Bitte entfernen Sie das Etikett und fädeln Sie dann den Faden durch die grüne Kreismarkierung. Dies stellt keine Beschädigung des Produkts dar. Vielen Dank für Ihr Verständnis.

Indication: Veuillez retirer l'autocollant, puis passer le fil à travers le cercle vert. Cela n'endommage pas le produit. Merci pour votre compréhension.

Tip: Please peel off the sticker, then thread the string through the green circle mark. This is not product damage. Thank you for your understanding.

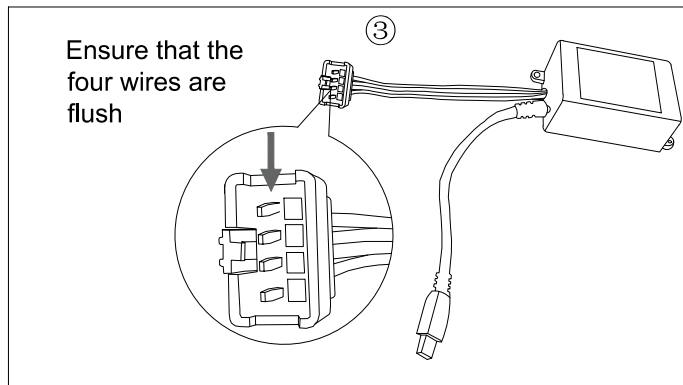
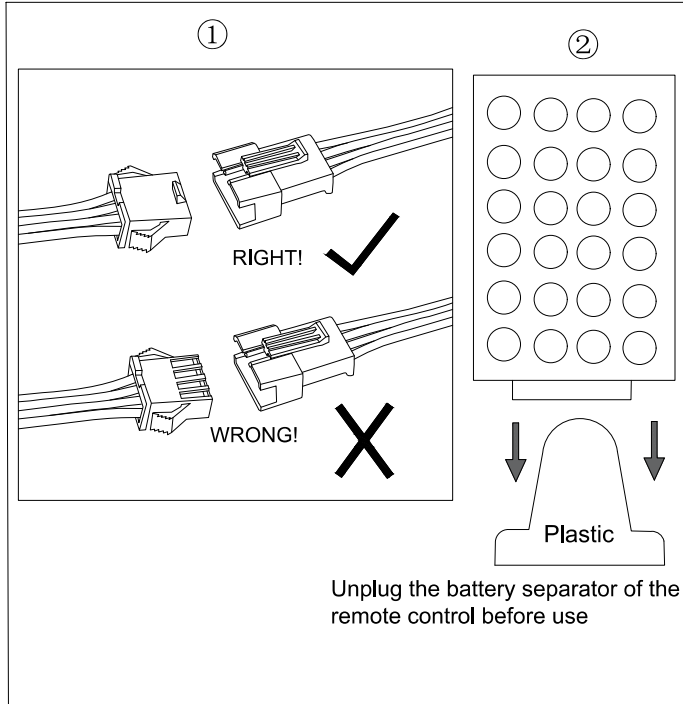
25



LED light

If you can't let the lights work successfully, please check the following:

1. Please check the direction of the connect, try it in the opposite direction, according to the following picture.
2. Please check the remote control, it need you to tear down the plastic septum before use it.
3. If one of the colors is not bright, please check whether the four wires in the plug are skewed, and move the main line to make the four wires flush.



1. Please check the direction of the arrow
2. Please pull the plastic block out of the remote control
3. Please check whether the four wires of the plug are neat

Operation Instructions of Controller

I. Specifications:

Working temperature: -20-60 °C

Supply voltage: DC12V

Product size: L62xW35xH23mm

Package size: L95xW68xH45mm

Net weight: 42g

Gross weight: 57g

Output: Three CMOS drain- open output

Connecting Mode: Common anode

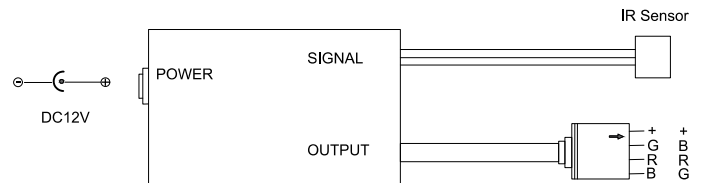
Max load current: 2 A each color

II. Control Method:

Adopt IR remoter to control the led controller, which has 24 buttons, the function of each button as the table below:

Brightness + (Speed up)	Brightness - (Speed down)	Off	On
Static red	Static green	Static blue	Static white
Static orange	Static pea green	Static dark blue	7 color jumpy change
Static dark yellow	Static cyan	Static brown	All fade out&fade in
Static yellow	Static light blue	Static pink	7 color fade change
Static straw yellow	Static sky blue	Static purple	3 base color jumpy

III. Panel specification and connecting drawing as follows:



IV. Warning:

1. Supply voltage of this product is DC12V never connect to DC24V or AC220V.
2. Never connect two wires directly in case of short circuit.
3. Lead wire should be connected correctly according to colors that connecting diagram offers.
4. Warranty of this product is one year, in this period we guarantee replacement or repairing with no charge, but exclude the artificial situation of damaged or overload working.

! WARNING

THIS PRODUCT CONTAINS A BUTTON BATTERY

If swallowed, a lithium button battery can cause severe or fatal injuries within 2 hours.

Keep batteries out of reach of children.

If you think batteries may have been swallowed or placed inside any part of the body, seek immediate medical attention.

Certificate of Compliance

Certificate Number: DL-2022072129C

Applicant: Eyue Technology Co., Ltd
2F, XINWANGYUAN HIGH-TECH INDUSTRIAL PARK, ZHANGMUTOU
TOWN, DONGGUAN, GUANGDONG, 523627 CHINA

Manufacturer: Eyue Technology Co., Ltd
2F, XINWANGYUAN HIGH-TECH INDUSTRIAL PARK,
ZHANGMUTOU TOWN, DONGGUAN, GUANGDONG, 523627
CHINA

Product:
USB Charger

M/N:
EY-U222
EY-U112, EY-U212, EY-U312, EY-U412, EY-U612, EY-U122, EY-U322,
EY-U422, EY-U132, EY-U232, EY-U332, EY-U432, EY-U142, EY-U242,
EY-U342, EY-U442, EY-U152, EY-U252, EY-U352, EY-U452, EY-UXXX,
EY-U512, EY-U712, EY-U812, EY-U522, EY-U622, EY-U722, EY-U822,
EY-U532, EY-U632, EY-U732, EY-U832, EY-U542, EY-U642, EY-U742,
EY-U842, EY-U552, EY-U652, EY-U752, EY-U852

Test Standard: EN 55015:2013+A1:2015
EN 61000-3-2:2014, EN 61000-3-3:2013
EN 61547:2009
EN 61000-4-2:2009, EN 61000-4-3: 2006+A1:2008+A2:2010
EN 61000-4-4:2012, EN 61000-4-5:2014, EN 61000-4-6:2014
EN 61000-4-8:2010, EN 61000-4-11:2004

The EUT described above has been tested by us with the listed standards and found in compliance with the council EMC directive 2014/30/EU. It is possible to use CE marking to demonstrate the compliance with this EMC Directive. It is only valid in connection with the test report number: DL-2022072129E.





®

Dongguan Anci Electronic Technology Co., Ltd.

Add.: 1-2 Floor, Building A, No.11, Headquarters 2 Road, Songshan Lake
Hi-tech Industrial Development Zone, Dongguan City, Guangdong Pr., China.

Tel: 86 -769 -8507 5888 Fax: 86 -769 -8507 5898 Web: www.anci.com

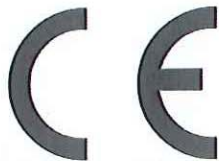
CERTIFICATE OF CONFORMITY

Certificate No. 18AE08069E 003

This Certificate of Conformity is hereby issued to the product designated below

Report No. : EA1808069E 03001
Applicant : Huizhou Guoaotong Technology Co., Ltd
Address : 4, 5F (PLANT B) NO.2 RUNZE RD SOUTH HIGHTECH
INDUSTRIAL PARK HUIAO AVENUE HUIZHOU
GUANGDONG PR 516000 CHINA
Manufacturer : Huizhou Guoaotong Technology Co., Ltd
Address : 4, 5F (PLANT B) NO.2 RUNZE RD SOUTH HIGHTECH
INDUSTRIAL PARK HUIAO AVENUE HUIZHOU
GUANGDONG PR 516000 CHINA
Description of Product : Power Adapter
Model No. : GA-xxxxyyyV(xxx, yyyy are variable, xxx=030-240,
yyyy=0100-3000)
Input Rating : AC 100-240V, 0.6A, 50/60Hz
Output Rating : 3.0-24.0Vdc, 0.1-3.0A
Test Standards : EN 55032: 2015
EN 55035: 2017
EN 61000-3-2:2014
EN 61000-3-3:2013

This certificate of conformity is based on evaluation of a sample of the above mentioned product. Technical report and documentation are at the license Holder's disposal. This is to certify that the tested sample is in conformity with the Council Directive 2014/30/EU, referred to as the EMC. It is possible to use CE marking to demonstrate the conformity with this EMC Directive.



Test Laboratory


Fred Zhu
Director

Date of Issue: Dec 19, 2018



This certificate of conformity is based on a single evaluation of the submitted sample(s) of the above mentioned product. It does not imply an assessment of the whole production and other relevant Directives have to be observed.



®

Dongguan Anci Electronic Technology Co., Ltd.

Add.: 1-2 Floor, Building A, No.11, Headquarters 2 Road, Songshan Lake
Hi-tech Industrial Development Zone, Dongguan City, Guangdong Pr., China.

Tel: 86 -769 -8507 5888 Fax: 86 -769 -8507 5898 Web: www.anci.com

CERTIFICATE OF CONFORMITY

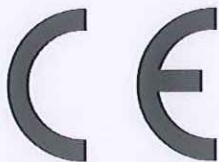
Certificate No. 18AS08069L 368A

The following product has been tested by DongGuan Anci Electronic Technology Co., Ltd. with the listing standards and found in conformity with the **EC Council Directive of 2014/35/EU**. It is possible to use CE marking to demonstrate the conformity with this **LVD Directive**.

Report No. : SA1808069L 01001
Applicant : Huizhou Guoatong Technology Co., Ltd
4, 5F (Plant B) No.2 Runze Rd., South Hightech Industrial
Address : Park, Huiao Avenue, 516000 Huizhou, Guangdong,
PEOPLE'S REPUBLIC OF CHINA
Manufacturer : Huizhou Guoatong Technology Co., Ltd
4, 5F (Plant B) No.2 Runze Rd., South Hightech Industrial
Address : Park, Huiao Avenue, 516000 Huizhou, Guangdong,
PEOPLE'S REPUBLIC OF CHINA
Description of Product : Power Adapter
Model No. : GA-xxxxyyyV(xxx, yyyy are variable, xxx=030-240,
yyyy=0100-3000)
Input Rating : 100-240V~ 0.6A 50/60Hz
Output Rating : 3.0-24.0Vac, 0.1-3.0A
Test Standards : EN 62368-1:2014+ A11:2017

The referred test report(s) show that the product complies with the essential requirements in the above listed standards. The applicant is authorized to use this certificate in connection with the EC declaration of conformity according to Annex 1 of the Directive.

Test Laboratory



Eric Liu

Director

Date of Issue: Dec. 20, 2018

This certificate of conformity is based on a single evaluation of the submitted sample(s) of the above mentioned product. It does not imply an assessment of the whole production and other relevant Directives have to be observed.

C E R T I F I C A T E



of Conformity
Low Voltage Directive 2014/35/EU

Registration No.: AN 50489215 0001

Report No.: 60387434 001

Holder: SHENZHEN BOYAXUAN TECHNOLOGY
DEVELOPMENT CO., LTD.
3/F, 1st Building,
Xing Wei (Feng Huang)
Third Industrial Area, Fuyong Street,
Shenzhen
518100 Guangdong
P.R. China

Product: Power Supply
(AC/DC ADAPTER)


Identification: Type Designation: BYX2-XXXYYYYE, BYX3-XXXYYYYZ (BOYAXUAN)
For detail of the variables XXX, YYYY and Z refer to
TÜV Rheinland license S 50489196 pages 0001-0002.
Serial No.: n.a.
Remark: Issued in conjunction with above TÜV Rheinland
license.

This certificate of conformity is based on an evaluation of a sample of the above mentioned product. Technical Report and documentation are at the Licence Holder's disposal. This is to certify that the tested sample is in conformity with Annex I of Council Directive 2014/35/EU, referred to as the Low Voltage Directive. This certificate does not imply assessment of the series-production of the product and does not permit the use of a TÜV Rheinland mark of conformity. The holder of the certificate is authorized to use this certificate in connection with the EC declaration of conformity according to Annex IV of the Directive.



Certification Body

Date 25.01.2021


Dipl.-Ing. Univ. S. O. Steinke

TÜV Rheinland LGA Products GmbH - Tillystraße 2 - 90431 Nürnberg

CE The CE marking may be used if all relevant and effective EC Directives are complied with. CE



Certificate of Conformity

Certificate Number: DL-20230412023C

Applicant: Shenzhen Blue The Light Technology co., Ltd.

Floor 4, Building 2, Hongxing Industrial Park, Yuanling Village, Shiyan Town, Baoan District, Shenzhen, China

Manufacturer: Shenzhen Blue The Light Technology co., Ltd.

Floor 4, Building 2, Hongxing Industrial Park, Yuanling Village, Shiyan Town, Baoan District, Shenzhen, China

Product: LED Strip

Model No.: LG-5050-60L

LG-5050-30L, LG-5050-72L, LG-5050-84L, LG-5050-96L, LG-5050-120L, LG-2835-60L, LG-2835-90L, LG-2835-96L, LG-2835-108L, LG-2835-120L, LG-2835-140L, LG-2835-160L, LG-2835-240L

Test Standard: EN IEC 55015:2019+A11:2020

EN IEC 61000-3-2:2019+A1:2021, EN 61000-3-3:2013+A1:2019+A2:2021
EN 61547:2009

EN 61000-4-2:2009, EN IEC 61000-4-3:2020, EN 61000-4-4:2012,
EN 61000-4-5:2014+A1:2017, EN IEC 61000-4-6:2022,
EN 61000-4-8:2010, EN IEC 61000-4-11:2020

The EUT described above has been tested by us with the listed standards and found in compliance with the council EMC directive 2014/30/EU. It is possible to use CE marking to demonstrate the compliance with this EMC Directive. It is only valid in connection with the test report number: DL-20230412023E.



This certificate of conformity is based on a single evaluation of the submitted sample(s) of the above mentioned product. It does not imply an assessment of the whole product and relevant. Without the written approval, It is not permitted to use the test lab's logo.

Shenzhen DL Testing Technology Co., Ltd.
101-201, Building C, Shuanghuan, No.8, Baoqing Road, Baolong Industrial Zone, Baolong Street, Longgang District, Shenzhen, Guangdong, China

Web: www.dl-cert.com E-mail: Service@dl-cert.com Tel: 400-688-3552





Certificate of Conformity

Certificate Number: DL-20240403029C

Applicant: **Shenzhen Blue The Light Technology co., Ltd.**
Floor 4, Building 2, Hongxing Industrial Park, Yuanling Village, Shiyan Town,
Baoan District, Shenzhen

Manufacturer: **Shenzhen Blue The Light Technology co., Ltd.**
Floor 4, Building 2, Hongxing Industrial Park, Yuanling Village, Shiyan Town,
Baoan District, Shenzhen

Product: **24 key IR infrared controller**

Model No.: **LG-24-IR-12V**

Test Standard: **EN 55032:2015+A1:2020**
EN IEC 61000-3-2:2019+A1:2021, EN 61000-3-3:2013+A1:2019+A2:2021
EN 55035:2017+A11:2020
EN 61000-4-2:2009, EN IEC 61000-4-3:2020, EN 61000-4-4:2012,
EN 61000-4-5:2014+A1:2017, EN IEC 61000-4-6:2022,
EN 61000-4-8:2010, EN IEC 61000-4-11:2020

The EUT described above has been tested by us with the listed standards and found in compliance with the council EMC directive 2014/30/EU. It is possible to use CE marking to demonstrate the compliance with this EMC Directive. It is only valid in connection with the test report number: DL-20240403029E.



This certificate of conformity is based on a single evaluation of the submitted sample(s) of the above mentioned product. It does not imply an assessment of the whole product and relevant. Without the written approval, It is not permitted to use the test lab's logo.

Shenzhen DL Testing Technology Co., Ltd.
101-201, Comprehensive Building, Tongzhou Electronics Longgang Factory Area, No.1 Baolong
Fifth Road, Baolong Community, Baolong Street, Longgang District, Shenzhen, China
Web: www.dl-cert.com E-mail: Service@dl-cert.com Tel: 400-688-3552

